

INSTALLATION INSTRUCTIONS 30" (76.2 CM) FREESTANDING GAS RANGES

INSTRUCCIONES DE INSTALACIÓN ESTUFA AUTÓNOMA A GAS DE 30" (76,2 CM)

Table of Contents/Índice

<p>RANGE SAFETY..... 2</p> <p>INSTALLATION REQUIREMENTS 3</p> <p style="padding-left: 20px;">Tools and Parts 3</p> <p style="padding-left: 20px;">Location Requirements 3</p> <p style="padding-left: 20px;">Gas Supply Requirements 5</p> <p>INSTALLATION INSTRUCTIONS 6</p> <p style="padding-left: 20px;">Unpack Range 6</p> <p style="padding-left: 20px;">Install Anti-Tip Bracket 6</p> <p style="padding-left: 20px;">Verify Anti-Tip Bracket Location 7</p> <p style="padding-left: 20px;">Level Range 7</p> <p style="padding-left: 20px;">Make Gas Connection 7</p> <p style="padding-left: 20px;">Check Operation 8</p> <p style="padding-left: 20px;">Check Operation of Oven/Broil Burner 9</p> <p style="padding-left: 20px;">Complete Installation 10</p> <p>GAS CONVERSIONS 10</p> <p style="padding-left: 20px;">LP Gas Conversion 10</p> <p style="padding-left: 20px;">Pilot and Bypass Screws Conversion 12</p> <p style="padding-left: 20px;">Complete Conversion 12</p> <p style="padding-left: 20px;">Natural Gas Conversion 12</p> <p style="padding-left: 20px;">Pilot and Bypass Screws Conversion 14</p> <p style="padding-left: 20px;">Complete Conversion 14</p>	<p>SEGURIDAD DE LA ESTUFA 15</p> <p>REQUISITOS DE INSTALACIÓN 16</p> <p style="padding-left: 20px;">Piezas y herramientas 16</p> <p style="padding-left: 20px;">Requisitos de ubicación 16</p> <p style="padding-left: 20px;">Requisitos del suministro de gas 18</p> <p>INSTRUCCIONES DE INSTALACIÓN 19</p> <p style="padding-left: 20px;">Desempaque la estufa 19</p> <p style="padding-left: 20px;">Instalación del soporte anti-vuelco 19</p> <p style="padding-left: 20px;">Verificación de la ubicación del soporte anti-vuelco 20</p> <p style="padding-left: 20px;">Nivelación de la estufa 20</p> <p style="padding-left: 20px;">Conexión del suministro de gas 21</p> <p style="padding-left: 20px;">Verifique el funcionamiento 21</p> <p style="padding-left: 20px;">Verifique el funcionamiento del quemador de asar/del horno 22</p> <p style="padding-left: 20px;">Complete la instalación 23</p> <p>CONVERSIONES DE GAS 24</p> <p style="padding-left: 20px;">Conversión de gas LP 24</p> <p style="padding-left: 20px;">Conversión de tornillos de desvío y piloto 25</p> <p style="padding-left: 20px;">Complete la conversión 26</p> <p style="padding-left: 20px;">Conversión de gas natural 26</p> <p style="padding-left: 20px;">Conversión de tornillos de desvío y piloto 27</p> <p style="padding-left: 20px;">Complete la conversión 28</p>
---	---

IMPORTANT:

Installer: Leave installation instructions with the homeowner.
Homeowner: Keep installation instructions for future reference.

IMPORTANTE:

Instalador: Deje las instrucciones de instalación con el propietario.
Propietario: Conserve las instrucciones de instalación para referencia futura.

RANGE SAFETY

Your safety and the safety of others are very important.

We have provided many important safety messages in this manual and on your appliance. Always read and obey all safety messages.



This is the safety alert symbol.

This symbol alerts you to potential hazards that can kill or hurt you and others.

All safety messages will follow the safety alert symbol and either the word "DANGER" or "WARNING." These words mean:

⚠ DANGER

You can be killed or seriously injured if you don't immediately follow instructions.

⚠ WARNING

You can be killed or seriously injured if you don't follow instructions.

All safety messages will tell you what the potential hazard is, tell you how to reduce the chance of injury, and tell you what can happen if the instructions are not followed.

WARNING: If the information in this manual is not followed exactly, a fire or explosion may result causing property damage, personal injury or death.

- Do not store or use gasoline or other flammable vapors and liquids in the vicinity of this or any other appliance.
- **WHAT TO DO IF YOU SMELL GAS:**
 - Do not try to light any appliance.
 - Do not touch any electrical switch.
 - Do not use any phone in your building.
 - Immediately call your gas supplier from a neighbor's phone. Follow the gas supplier's instructions.
 - If you cannot reach your gas supplier, call the fire department.
- Installation and service must be performed by a qualified installer, service agency or the gas supplier.

WARNING: Gas leaks cannot always be detected by smell.

Gas suppliers recommend that you use a gas detector approved by UL or CSA.

For more information, contact your gas supplier.

If a gas leak is detected, follow the "What to do if you smell gas" instructions.

In the State of Massachusetts, the following installation instructions apply:

- Installations and repairs must be performed by a qualified or licensed contractor, plumber, or gasfitter qualified or licensed by the State of Massachusetts.
- If using a ball valve, it shall be a T-handle type.
- A flexible gas connector, when used, must not exceed 3 feet.

⚠ WARNING

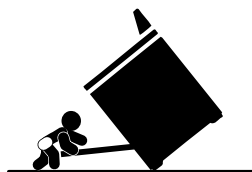
Tip Over Hazard

A child or adult can tip the range and be killed.

Connect anti-tip bracket to rear range foot.

Reconnect the anti-tip bracket, if the range is moved.

Failure to follow these instructions can result in death or serious burns to children and adults.



INSTALLATION REQUIREMENTS

Tools and Parts

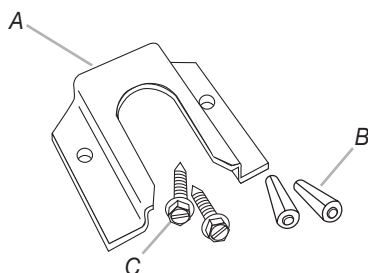
Gather the required tools and parts before starting installation. Read and follow the instructions provided with any tools listed here.

Tools needed

- Level
- 3/8" drive ratchet
- Tape measure
- Flat-blade screwdriver
- Phillips screwdriver
- Hand or electric drill
- Wrench or pliers
- 7 mm combination wrench
- Pipe wrench
- 1/8" (3.2 mm) drill bit (for wood floors)
- 3/16" (4.8 mm) carbide-tipped masonry drill bit (for concrete/ceramic floors)
- Pipe-joint compound resistant to LP gas
- Noncorrosive leak-detection solution

Parts supplied

Check that all parts are included.



A. Anti-tip bracket
B. Plastic anchors (2)
C. #10 x 1/2" screws (2)

- Anti-tip brackets must be securely mounted to subfloor. Thickness of flooring may require longer screws to anchor bracket to subfloor. Longer screws are available from your local hardware store.

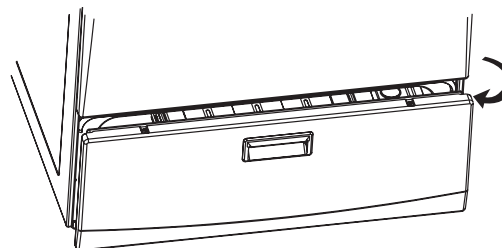
Parts needed

Check local codes and consult gas supplier. Check existing gas supply. See "Gas Supply Requirements" section.

Location Requirements

IMPORTANT: Observe all governing codes and ordinances. Do not obstruct flow of combustion and ventilation air.

- It is the installer's responsibility to comply with installation clearances specified on the model/serial rating plate. The model/serial rating plate is located on the oven frame behind the left side of the broiler door.



- The range should be located for convenient use in the kitchen.
- Recessed installations must provide complete enclosure of the sides and rear of the range.
- To eliminate the risk of burns or fire by reaching over heated surface units, cabinet storage space located above the surface units should be avoided. If cabinet storage is to be provided, the risk can be reduced by installing a range hood that projects horizontally a minimum of 5" (12.7 cm) beyond the bottom of the cabinets.
- All openings in the wall or floor where range is to be installed must be sealed.
- Do not seal the range to the side cabinets.
- Cabinet opening dimensions that are shown must be used. Given dimensions are minimum clearances.
- The floor anti-tip bracket must be installed. To install the anti-tip bracket shipped with the range, see "Install Anti-Tip Bracket" section.
- Proper gas supply connection must be available. See "Gas Supply Requirements" section.
- Contact a qualified floor covering installer to check that the floor covering can withstand at least 200°F (93°C).
- Use an insulated pad or 1/4" (0.64 cm) plywood under range if installing range over carpeting.

IMPORTANT: To avoid damage to your cabinets, check with your builder or cabinet supplier to make sure that the materials used will not discolor, delaminate or sustain other damage. This oven has been designed in accordance with the requirements of UL and CSA International and complies with the maximum allowable wood cabinet temperatures of 194°F (90°C).

Mobile Home - Additional Installation Requirements

The installation of this range must conform to the Manufactured Home Construction and Safety Standard, Title 24 CFR, Part 3280

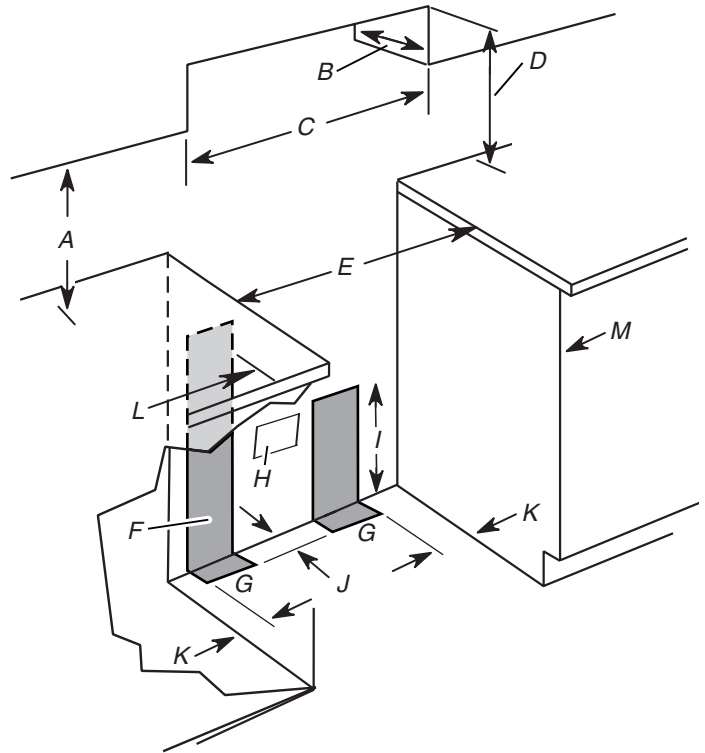
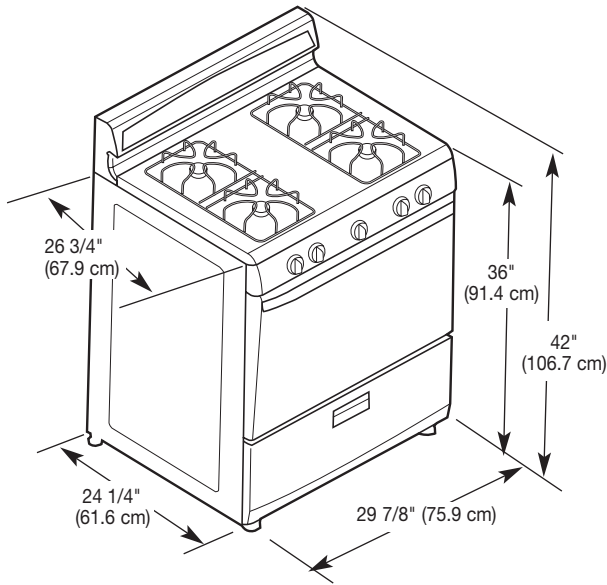
(formerly the Federal Standard for Mobile Home Construction and Safety, Title 24, HUD Part 280). When such standard is not applicable, use the Standard for Manufactured Home Installations, ANSI A225.1/NFPA 501A or with local codes.

Mobile home installations require:

- When this range is installed in a mobile home, it must be secured to the floor during transit. Any method of securing the range is adequate as long as it conforms to the standards listed above.

Product Dimensions

Freestanding Range



- A. 18" (45.7 cm) upper side cabinet to countertop
- B. 13" (33 cm) max. upper cabinet depth
- C. 30" (76.2 cm) min. opening width
- D. For minimum clearance to top of cooktop, see NOTE*.
- E. 30 1/8" (76.5 cm) min. opening width
- F. This shaded area recommended for installation of rigid gas pipe.
- G. 8" (20.3 cm)
- H. Grounded outlet
- I. 17" (43.2 cm)
- J. 4 1/2" (11.4 cm)
- K. 2" (5.1 cm)
- L. 2" (5.1 cm) min. clearance from both sides of range to side wall or other combustible material.

Cabinet Dimensions

Cabinet opening dimensions shown are for 25" (64.0 cm) countertop depth, 24" (61.0 cm) base cabinet depth and 36" (91.4 cm) countertop height.

If the cabinet depth is greater than 24" (61.0 cm), oven frame must extend beyond cabinet fronts by 1/2" (13.0 mm) minimum.

IMPORTANT: If installing a range hood or microwave hood combination above the range, follow the range hood or microwave hood combination installation instructions for dimensional clearances above the cooktop surface.

***NOTE:** 24" (61.0 cm) minimum when bottom of wood or metal cabinet is covered by not less than 1/4" (0.64 cm) flame retardant millboard covered with not less than No. 28 MSG sheet steel, 0.015" (0.4 mm) stainless steel, 0.024" (0.6 mm) aluminum or 0.020" (0.5 mm) copper.

30" (76.2 cm) minimum clearance between the top of the cooking platform and the bottom of an uncovered wood or metal cabinet.

Gas Supply Requirements

⚠ WARNING



Explosion Hazard

Use a new CSA International approved gas supply line.

Install a shut-off valve.

Securely tighten all gas connections.

If connected to LP, have a qualified person make sure gas pressure does not exceed 14" (36 cm) water column.

Examples of a qualified person include:

**licensed heating personnel,
authorized gas company personnel, and
authorized service personnel.**

Failure to do so can result in death, explosion, or fire.

Observe all governing codes and ordinances.

IMPORTANT: This installation must conform with all local codes and ordinances. In the absence of local codes, installation must conform with American National Standard, National Fuel Gas Code ANSI Z223.1 - latest edition or CAN/CGA B149 - latest edition.

IMPORTANT: Leak testing of the range must be conducted according to the manufacturer's instructions.

Type of Gas

Natural gas:

This range is design-certified by CSA International for use with Natural gas or, after proper conversion, for use with LP gas.

- This range is factory set for use with Natural gas. See "Gas Conversions" section. The model/serial rating plate located behind the broiler door on the left-hand side oven door frame has information on the types of gas that can be used. If the types of gas listed do not include the type of gas available, check with the local gas supplier.

LP gas conversion:

Conversion must be done by a qualified service technician.

No attempt shall be made to convert the appliance from the gas specified on the model/serial rating plate for use with a different gas without consulting the serving gas supplier. See "Gas Conversions" section.

Gas Supply Line

- Provide a gas supply line of 3/4" (1.9 cm) rigid pipe to the range location. A smaller size pipe on longer runs may result in insufficient gas supply. Pipe-joint compounds that resist the action of LP gas must be used. Do not use TEFLON[®] tape. With LP gas, piping or tubing size can be 1/2" (1.3 cm) minimum. Usually, LP gas suppliers determine the size and materials used in the system.

Flexible metal appliance connector:

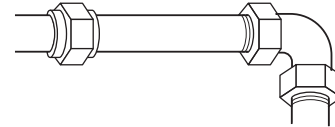
- If local codes permit, a new CSA design-certified, 4 to 5 ft (122 to 152.4 cm) long, 1/2" (1.3 cm) or 3/4" (1.9 cm) I.D., flexible metal appliance connector may be used for connecting range to the gas supply line.



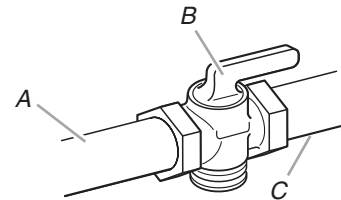
- A 1/2" (1.3 cm) male pipe thread is needed for connection to the female pipe threads of the inlet to the appliance pressure regulator.
- Do not kink or damage the flexible metal tubing when moving the range.

Rigid pipe connection:

The rigid pipe connection requires a combination of pipe fittings to obtain an in-line connection to the range. The rigid pipe must be level with the range connection. All strains must be removed from the supply and fuel lines so range will be level and in line.



- Must include a shutoff valve:
The supply line must be equipped with a manual shutoff valve. This valve should be located in the same room but external to the range. It should be in a location that allows ease of opening and closing. Do not block access to shutoff valve. The valve is for turning on or shutting off gas to the range.



A. Gas supply line
B. Shutoff valve "open" position
C. To range

Gas Pressure Regulator

The gas pressure regulator supplied with this range must be used. The inlet pressure to the regulator should be as follows for proper operation:

Natural gas:

Minimum pressure: 5" WCP

Maximum pressure: 14" WCP

LP gas:

Minimum pressure: 11" WCP

Maximum pressure: 14" WCP

Contact local gas supplier if you are not sure about the inlet pressure.

Burner Input Requirements

Input ratings shown on the model/serial rating plate are for elevations up to 2,000 ft (609.6 m).

For elevations above 2,000 ft (609.6 m), ratings are reduced at a rate of 4% for each 1,000 ft (304.8 m) above sea level (not applicable for Canada).

Gas Supply Pressure Testing

Gas supply pressure for testing regulator must be at least 1" water column pressure above the manifold pressure shown on the model/serial rating plate.

†TEFLON is a registered trademark of E.I. Du Pont De Nemours and Company.

Line pressure testing above ½ psi gauge (14" WCP)

The range and its individual shutoff valve must be disconnected from the gas supply piping system during any pressure testing of that system at test pressures in excess of ½ psi (3.5 kPa).

Line pressure testing at ½ psi gauge (14" WCP) or lower

The range must be isolated from the gas supply piping system by closing its individual manual shutoff valve during any pressure testing of the gas supply piping system at test pressures equal to or less than ½ psi (3.5 kPa).

INSTALLATION INSTRUCTIONS

Unpack Range

⚠ WARNING

Excessive Weight Hazard

Use two or more people to move and install range.
Failure to do so can result in back or other injury.

1. Do not use oven door handle to lift or move the range
2. Remove shipping materials, tape and film from range. Keep cardboard bottom under range.
3. Remove oven racks and parts package from inside oven.
4. To place range on its back, take 4 cardboard corners from the carton. Stack one cardboard corner on top of another. Repeat with the other 2 corners. Place them lengthwise on the floor behind the range to support the range when it is laid on its back.
5. Using 2 or more people, firmly grasp the range and gently lay it on its back on the cardboard corners.
6. Pull cardboard bottom firmly to remove.
7. Use an adjustable wrench to loosen the leveling legs. Adjust the leveling legs to the correct height. Leveling legs can be loosened to add up to a maximum of 1" (2.5 cm). A minimum of ⅜" (5.0 mm) is needed to engage the anti-tip bracket.

NOTE: If height adjustment is made when range is standing, tilt the range back to adjust the front legs, then tilt forward to adjust the rear legs.

8. Place cardboard or hardboard in front of range. Using 2 or more people, stand range back up onto cardboard or hardboard.

Install Anti-Tip Bracket

Contact a qualified floor covering installer for the best procedure for drilling mounting holes through your type of floor covering.

⚠ WARNING

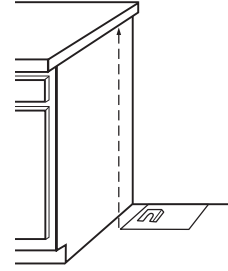


Tip Over Hazard

A child or adult can tip the range and be killed.
Connect anti-tip bracket to rear range foot.
Reconnect the anti-tip bracket, if the range is moved.
Failure to follow these instructions can result in death or serious burns to children and adults.

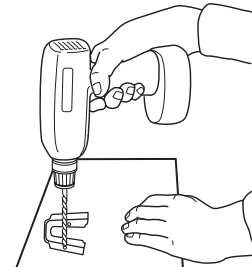
Before moving range, slide range onto shipping base, cardboard or hardboard.

1. Remove template from the anti-tip bracket kit (found inside the oven cavity) or from the back of this manual.
2. Place template on the floor in cabinet opening so that the left edge is against cabinet and top edge is against rear wall, molding or cabinet.
3. Tape template into place.
4. If countertop is not flush with cabinet opening edge, align template with overhang.



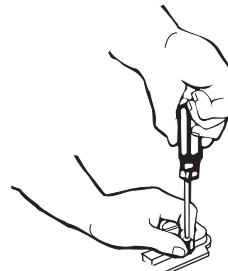
If cabinet opening is wider than that specified in the "Location Requirements" section, adjust template so range will be centered in cabinet opening.

5. To mount anti-tip bracket to wood floor, drill two ⅛" (3.2 mm) holes at the positions marked on the bracket template. Remove template from floor.



To mount anti-tip bracket to concrete or ceramic floor, use a ⅜" (0.48 cm) masonry drill bit to drill 2 holes at the positions marked on the bracket template. Remove template from floor.

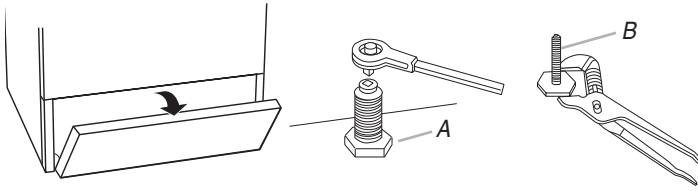
6. Tap plastic anchors into holes with a hammer.
7. Align anti-tip bracket holes with holes in floor. Fasten anti-tip bracket with screws provided.



Depending on the thickness of your flooring, longer screws may be necessary to anchor the bracket to the subfloor. Longer screws are available from your local hardware store.

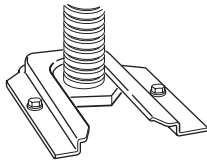
8. Move range close enough to opening to allow for final gas connection. Remove shipping base, cardboard or hardboard from under range.

- Open the broiler door. Use a $\frac{3}{8}$ " drive ratchet to lower the rear leveling legs one-half turn. Use a wrench or pliers to lower the front leveling legs one-half turn.



A. Rear leveling leg
B. Front leveling leg

- Adjust the leveling legs to the correct height. Leveling legs can be loosened to add up to a maximum of 1" (2.5 cm). A minimum of $\frac{3}{16}$ " (0.48 cm) is needed to engage the anti-tip bracket.
- Move range into its final location making sure rear leveling leg slides into anti-tip bracket.



- If installing the range in a mobile home, you must secure the range to the floor. Any method of securing the range is adequate as long as it conforms to the standards in the "Location Requirements" section.
- Continue installing your range using the following installation instructions.

Make Gas Connection

WARNING



Explosion Hazard

Use a new CSA International approved gas supply line.

Install a shut-off valve.

Securely tighten all gas connections.

If connected to LP, have a qualified person make sure gas pressure does not exceed 14" (36 cm) water column.

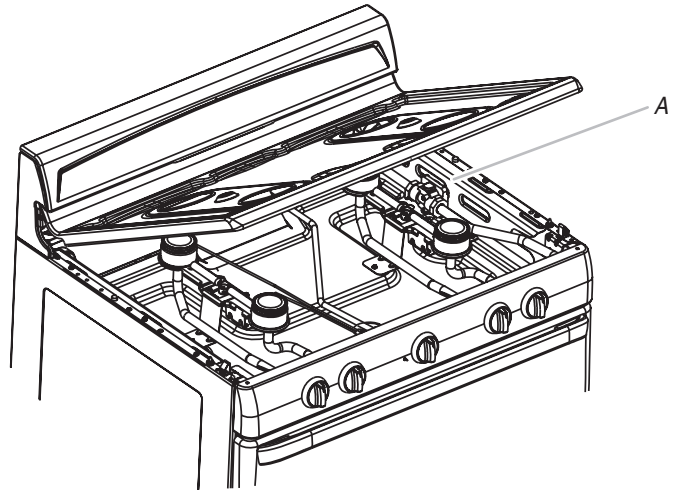
Examples of a qualified person include:

licensed heating personnel,
authorized gas company personnel, and
authorized service personnel.

Failure to do so can result in death, explosion, or fire.

- Remove grates.
- Lift the cooktop by both front corners until the side support rods snap into place.

- Locate gas pressure regulator inside the burner box.



A. Gas pressure regulator

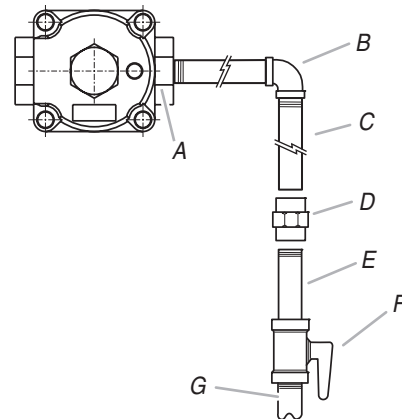
IMPORTANT: Do not remove the gas pressure regulator.

- All connections should go over and through the burner box and follow down the range back.

Typical rigid pipe connection

A combination of pipe fittings must be used to connect the range to the existing gas line. Your connections may be different; according to the supply line type, size and location.

- Apply pipe-joint compound made for use with LP gas to all pipe thread connections.
- Using a pipe wrench to tighten, connect the gas supply to the range.

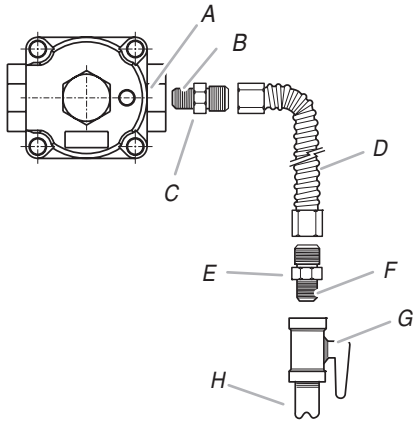


A. Pressure regulator connection fitting
B. 90° elbow
C. Black iron pipe

D. Union
E. Nipple
F. Manual shutoff valve
G. $\frac{1}{2}$ " or $\frac{3}{4}$ " gas pipe

Typical flexible connection

1. Use a combination wrench and pliers to attach the flexible connector to the adapters. Check that connector is not kinked.



A. Pressure regulator connection fitting

B. Use pipe-joint compound

C. Adapter

D. Flexible connector

E. Adapter

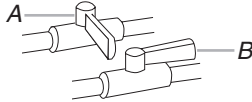
F. Use pipe-joint compound

G. Manual shutoff valve

H. 1/2" or 3/4" gas pipe

Complete Connection

1. Open the manual shutoff valve in the gas supply line. The valve is open when the handle is parallel to the gas pipe.



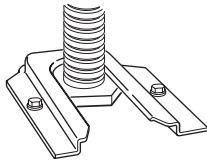
A. Closed valve

B. Open valve

2. Test all connections by brushing on an approved noncorrosive leak-detection solution. Bubbles will show a leak. Correct any leak found.
3. Push back on side support rods and slowly lower the cooktop until it snaps into place.
4. Place burners, burner caps and grates on the cooktop.

Verify Anti-Tip Bracket Location

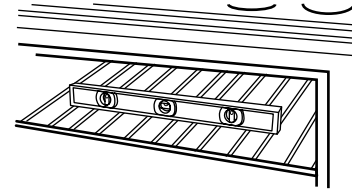
1. Make sure the anti-tip bracket is installed
 - Look for the anti-tip bracket securely attached to the floor.
 - Slide the range back so the rear range foot is under the anti-tip bracket.
2. If installing the range in a mobile home, you must secure the range to the floor. Any method of securing the range is adequate as long as it conforms to the standards in the "Location Requirements" section.



3. Continue installing your range using the following installation instructions.

Level Range

1. Place rack in oven.
2. Place level on rack and check levelness of range, first side to side; then front to back.



3. If range is not level, pull range forward until rear leveling leg is removed from the anti-tip bracket. Use 3/8" drive ratchet and wrench or pliers to adjust leveling legs up or down until range is level.
4. Push range back into position.
5. Check that rear leveling leg is engaged in anti-tip bracket.

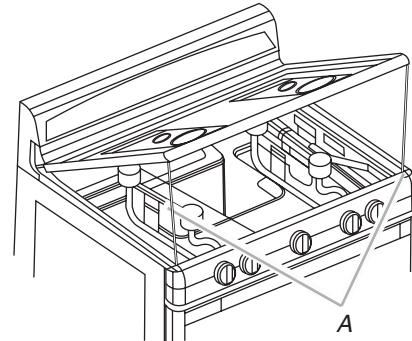
NOTE: Range must be level for satisfactory baking performance.

Check Operation

To Light Standing Pilot Lights:

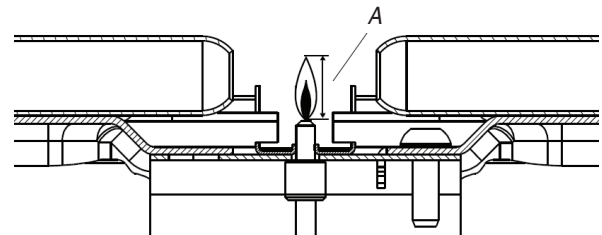
Before using the range, the standing pilots must be lit. They will stay lit after turning off the burners.

1. Make sure all controls are off and the oven and cooktop are cool.
2. Remove surface grates from the cooktop.
3. Lift the cooktop by both front corners until the side support rods snap into position.



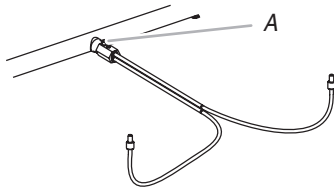
A. Side support rods

4. Using a match, light both burner pilot lights.
5. The surface pilot flames should be 0.4" to 0.6" (1.0 to 1.5 cm) high.



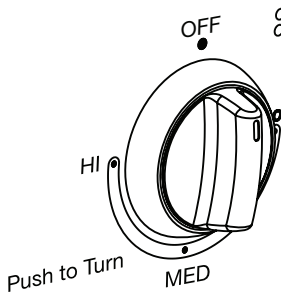
A. 0.4" - 0.6" (1.0 - 1.5 cm)

- If the pilot flame needs adjustment, use a flat blade screwdriver and turn the adjusting screw until the flame is of the desired height.

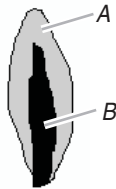


A. Adjusting screw

- Push back on the side support rods and slowly lower the cooktop until it snaps into position.
- Push in and turn each surface burner control knob to the "HI" position. The flame should light with 4 seconds.



- If surface burners do not ignite, repeat steps 3 to 6.
- Check each cooktop burner for proper flame. The small inner cone should have a very distinct blue flame $\frac{1}{4}$ " (0.64 cm) to $\frac{1}{2}$ " (1.3 cm) long. The outer cone is not as distinct as the inner cone.

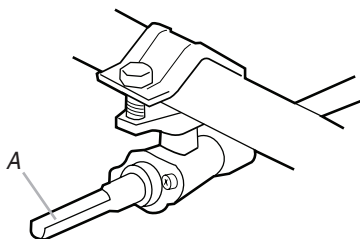


A. Outer cone
B. Inner cone

- Turn the control knob quickly to the "LO" position after the burner lights. If the flame goes out, turn the control knob to the "OFF" position.
- Check each cooktop burner for proper low flame. The low flame should be a minimum, steady blue flame. The flame size should be $\frac{1}{4}$ " to $\frac{3}{8}$ " (0.64 cm to 0.95 cm) high.

If the low flame needs adjusting:

- Turn control knob to the "Lo" setting and remove control knob.
- Insert a small flat-blade screwdriver into the valve stem. Turn the valve adjusting screw to obtain the smallest flame that will not go out when the control of a cold burner is quickly turned from "HI" to "Lo." Turn right to decrease flame height. Turn left to increase flame height. Repeat for other cooktop burners as needed.

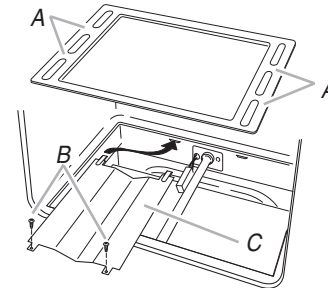


A. Valve stem

- Replace control knob.

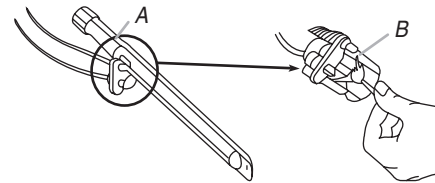
Check Operation of Oven/Broil Burner

- Make sure all controls are off and the oven is cool.
- Open the oven door to remove oven racks and the oven bottom tray.
- Remove the fasteners holding the flame spreader. Lift and pull out the flame spreader.



A. Oven bottom tray
B. Fasteners
C. Flame spreader

- Locate the pilot light on the left-hand side of the oven burner.
- Push in oven control knob and hold, then ignite the oven pilot light with a match.

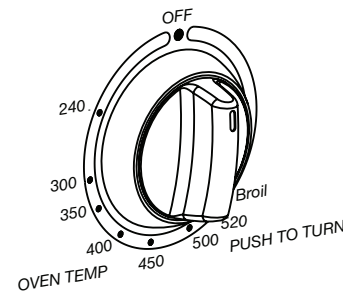


A. Oven burner
B. Oven pilot

- Hold the oven control knob in for 10 seconds to make sure the pilot will remain lit.
- If the oven pilot light turns off after releasing the knob, repeat steps 5 and 6.
- When the oven pilot remains on, replace the flame spreader, oven bottom tray and racks.

NOTE: The pilot light will stay lit after turning off the oven. The oven burner should turn on the next time a temperature is selected on the oven control knob. If the oven burner does not turn on, repeat previous steps for lighting oven pilot lights.

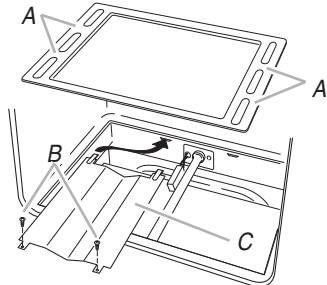
- Open broiler door.
- Push in and turn the oven control knob to 350°F. The oven pilot should now be larger with the flame burning against a small metal bulb. The oven burner should light in 20-40 seconds; this delay is normal. The oven valve requires a certain time before it will open and allow gas to flow.



- Check the oven burner for proper flame. The flame should be $\frac{1}{2}$ " (1.3 cm) long, with inner cone of bluish-green. The outer mantle should be dark blue and should be clean and soft in character. No yellow tips (not enough air), blowing or lifting (too much air) of flame should occur.

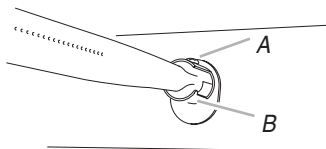
If the flame needs adjusting:

1. Turn the oven off. Wait for the oven burner to cool down.
2. Open oven door and remove oven racks, oven tray, flame spreader and set aside.



A. Oven bottom tray
B. Fasteners
C. Flame spreader

3. Locate the air shutter near the rear wall of oven and loosen the shutter screw.



A. Shutter screw
B. Air shutter

4. Adjust the air shutter.
5. Turn the oven back on and check for proper flame. If the flame is still not properly adjusted, turn the oven off, wait for the oven burner to cool down and repeat Step 4 until flame is properly adjusted.

6. When the flame has been properly adjusted, turn the oven off, wait for the burner to cool down.
7. Tighten the shutter screw.
8. Reinstall flame spreader and oven tray. Reinstall the oven racks and close oven door.

Complete Installation

1. Check that all parts are now installed. If there is an extra part, go back through the steps to see which step was skipped.
2. Check that you have all of your tools.
3. Dispose of/recycle all packaging materials.
4. Check that the range is level. See "Level Range."
5. Use a mild solution of liquid household cleaner and warm water to remove waxy residue caused by shipping material. Dry thoroughly with a soft cloth. For more information, see the "Range Care" section of the Use and Care Guide.
6. Read the Use and Care Guide.
7. Turn on surface burners and oven. See the Use and Care Guide for specific instruction on range operation.

If range does not operate, check the following:

- See "Troubleshooting" in the Use and Care Guide.
- When the range has been on for 5 minutes, check for heat. If the range is cold, turn off the range and check that the gas supply line shutoff valve is open.
 - If the gas supply line shutoff valve is closed, open it, then repeat the 5-minute test as outlined above.
 - If the gas supply line shutoff valve is open, press the CANCEL button on the oven control panel and contact a qualified technician.

If you need Assistance or Service:

Please reference the "Assistance or Service" section of the Use and Care Guide or contact the dealer from whom you purchased your range.

GAS CONVERSIONS

⚠ WARNING



Explosion Hazard

Use a new CSA International approved gas supply line.

Install a shut-off valve.

Securely tighten all gas connections.

If connected to LP, have a qualified person make sure gas pressure does not exceed 14" (36 cm) water column.

Examples of a qualified person include:

licensed heating personnel,
authorized gas company personnel, and
authorized service personnel.

Failure to do so can result in death, explosion, or fire.

LP Gas Conversion

⚠ WARNING



Tip Over Hazard

A child or adult can tip the range and be killed.

Connect anti-tip bracket to rear range foot.

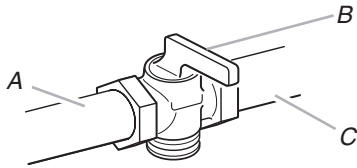
Reconnect the anti-tip bracket, if the range is moved.

Failure to follow these instructions can result in death or serious burns to children and adults.

Gas conversions from Natural gas to LP gas or from LP gas to Natural gas must be done by a qualified installer.

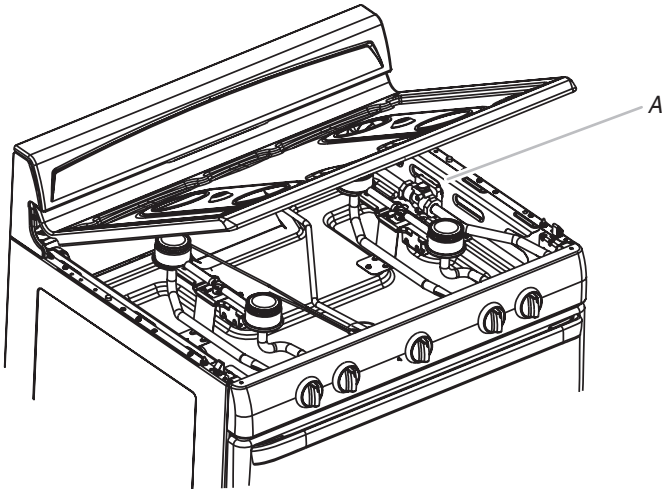
To Convert Gas Pressure Regulator

1. Turn manual shutoff valve to the "closed" position.



A. To range
B. Manual shutoff valve "closed" position
C. Gas supply line

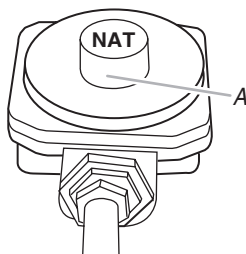
2. Remove grates.
3. Lift the cooktop by both front corners until the side support rods snap into position.
4. Locate the gas pressure regulator.



A. Gas pressure regulator

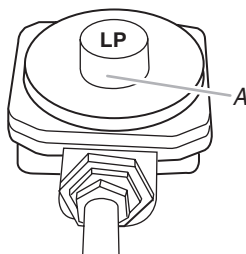
IMPORTANT: Do not remove the gas pressure regulator.

5. With a flat-blade screwdriver, remove the brass cap and flip the brass cap over so that "LP" is visible.



A. Brass cap

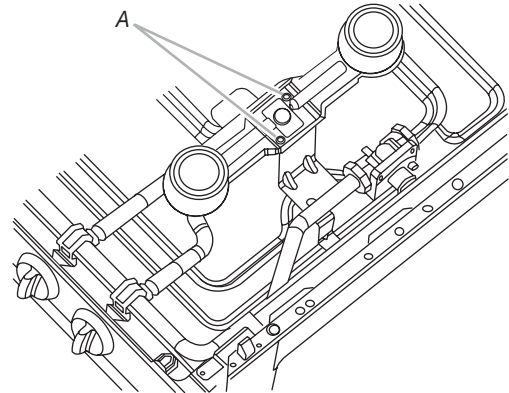
6. Reinstall the cap and tighten with the flat-blade screwdriver.



A. Cap

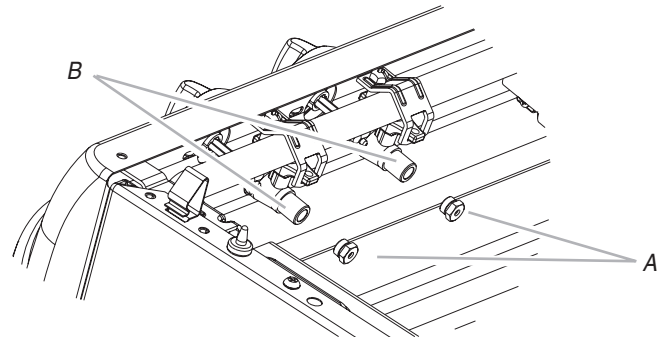
To Convert Surface Burners

1. Remove grates from cooktop
2. Lift the cooktop by both front corners until the side support rods snap into position.
3. Remove the screws that hold each dual burner.



A. Dual burner screws

4. Lift each burner and slip it back to remove it.
5. Set them aside.
6. Locate LP gas orifice spuds for top burners in the bag containing literature with the range. Four LP gas spuds are stamped "67."
7. Remove Natural gas orifice spuds from the valve using a $\frac{3}{8}$ " (0.95 cm) combination wrench.
8. Install LP gas orifice spuds in the valves.

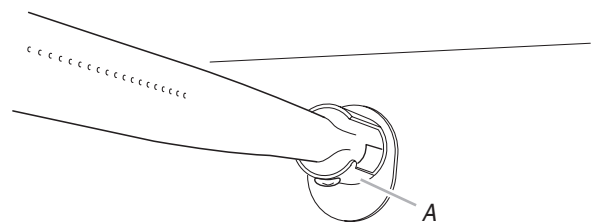


A. Orifice spuds
B. Valves

9. Place the Natural gas orifice spuds in the parts bag for future use and keep with the bag containing literature.
10. Replace grates.

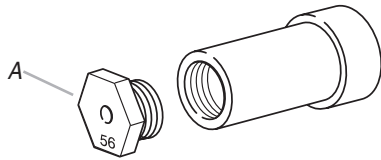
To Convert Oven Burner

1. Open the oven door and remove oven racks, oven tray, flame spreader and set aside.
2. Lift oven burner. The orifice spud is behind the oven burner air shutter.



A. Air shutter

3. Locate LP gas orifice spud stamped "56" in the bag containing literature supplied with the range.
4. Use a $\frac{3}{8}$ " combination wrench and remove the Natural gas orifice spud.
5. Install the number "56" LP gas spud.



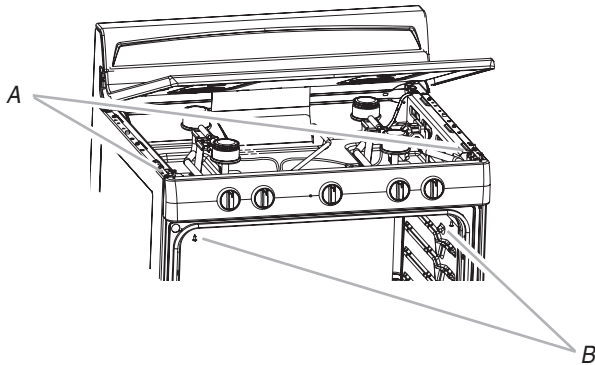
A. LP oven orifice spud stamped with "56"

IMPORTANT: Do not over tighten.

6. Place Natural gas oven burner spud in plastic parts bag along with Natural gas cooktop burner spuds for future use and keep with the bag containing literature.
7. Reinstall oven burner.
8. Reinstall oven racks, oven tray and flame spreader.

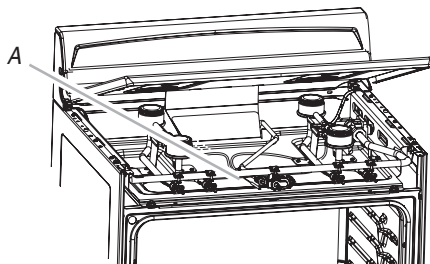
Pilot and Bypass Screws Conversion

1. Remove control knobs and set aside.
2. Remove upper grates.
3. Lift the cooktop by both front corners until the side support rods snap into position.
4. Open oven door.
5. Locate the two top fasteners and two bottom fasteners and remove them using a Phillips head screwdriver.



A. Top fasteners
B. Bottom fasteners

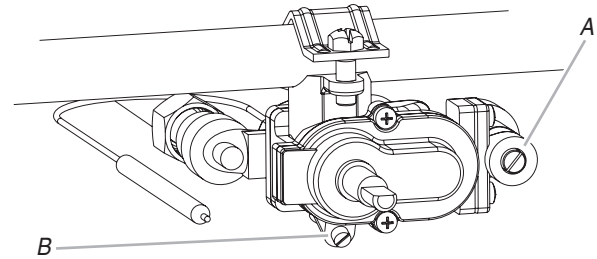
6. Set the front panel aside and locate the oven thermostat.



A. Oven thermostat

7. Locate the LP gas bypass screw in the bag containing literature included with the range. One LP gas bypass screw is stamped "48."
8. Remove the Natural gas bypass screw with a flat-blade screwdriver, turning counterclockwise.

9. Install the LP gas bypass screw with a flat-blade screwdriver, turning clockwise.



A. Pilot screw
B. Bypass screw

10. Locate the LP gas pilot screw in the bag containing literature included with the range. One LP gas pilot screw is stamped "15."
11. Remove Natural gas pilot screw with a flat-blade screwdriver, turning counterclockwise.
12. Install the LP gas pilot screw with a flat-blade screwdriver, turning clockwise.
13. Replace the front panel and screw bottom and top fasteners in place.
14. Replace the control knobs. Push back on the side support rods and slowly lower the cooktop until it snaps into position. Close the oven door.

Complete Conversion

1. Refer to the "Make Gas Connection" section for properly connecting the range to the gas supply.
2. Turn the manual shutoff valve in the gas supply line to the open position.
3. Refer to the "Check Operation" section for proper burner ignition, operation and burner flame adjustments.

IMPORTANT: You may have to adjust the "LO" setting for each cooktop burner.

Checking for proper cooktop and oven burner flames is very important. The small inner cone should have a very distinct blue flame $\frac{1}{4}$ " to $\frac{1}{2}$ " (0.64 cm to 1.3 cm) long. The outer cone is not as distinct as the inner cone. LP gas flames have a slightly yellow tip.

4. Close the broiler door and turn the knob to "OFF."
5. Refer to the "Complete Installation" section to complete this procedure.

Natural Gas Conversion

To Convert Gas Pressure Regulator

WARNING



Tip Over Hazard

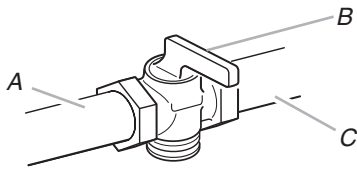
A child or adult can tip the range and be killed.

Connect anti-tip bracket to rear range foot.

Reconnect the anti-tip bracket, if the range is moved.

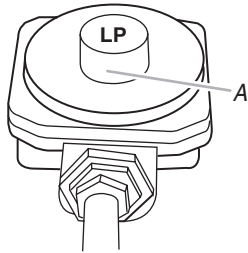
Failure to follow these instructions can result in death or serious burns to children and adults.

1. Turn manual shutoff valve to the “closed” position.



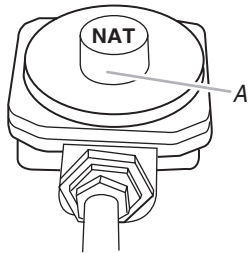
A. To range
B. Manual shutoff valve “closed” position
C. Gas supply line

2. Remove grates.
3. Lift the cooktop by both front corners until the side support rods snap into position.
4. Locate the gas pressure regulator.
IMPORTANT: Do not remove the gas pressure regulator.
5. With a flat-blade screwdriver, remove the brass cap and flip the brass cap over so that “NAT” is visible.



A. Brass cap

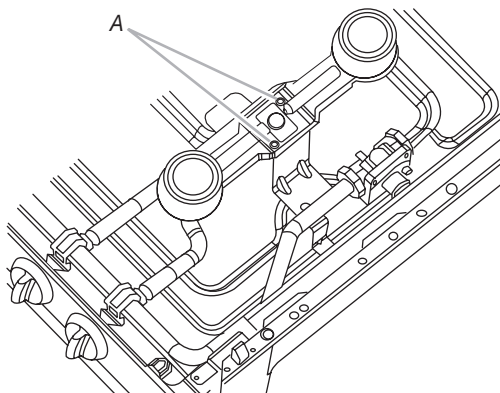
6. Reinstall the cap and tighten with the flat-blade screwdriver.



A. Cap

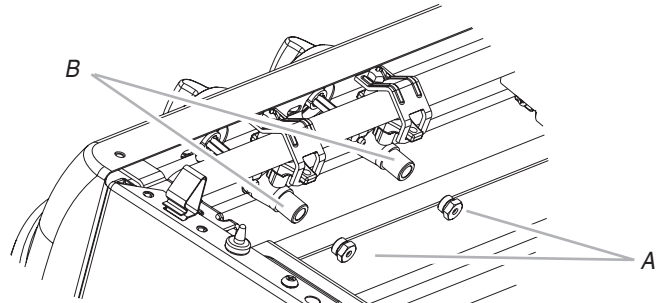
To Convert Surface Burners

1. Remove grates from cooktop
2. Lift the cooktop by both front corners until the side support rods snap into position.
3. Remove the screws that hold each dual burner.



A. Dual burner screws

4. Lift each burner and slip it back to remove it.
5. Set them aside.
6. Locate Natural gas orifice spuds for top burners in the bag containing literature included with the range. Four Natural gas spuds are stamped “1.42.”
7. Remove the LP gas orifice spuds from the valve using a $\frac{3}{8}$ " (0.95 cm) combination wrench.
8. Install Natural gas orifice spuds in the valves.

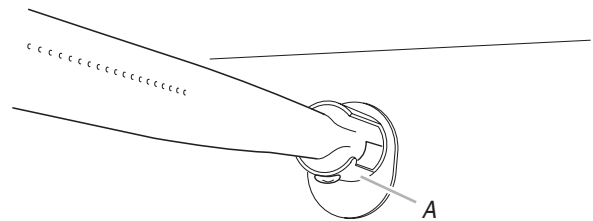


A. Orifice spuds
B. Valves

9. Place the LP gas orifice spuds in the parts bag for future use and keep with the bag containing literature.
10. Push back on the side support rods and slowly lower the cooktop until it snaps into position.
11. Replace grates.

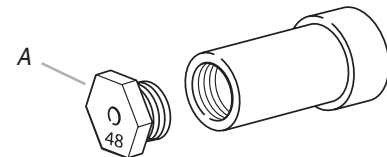
To Convert Oven Burner

1. Open the oven door and remove oven racks, oven tray, flame spreader and set aside.
2. Lift oven burner. The orifice spud is behind the oven burner air shutter.



A. Air shutter

3. Locate Natural gas orifice spud stamped “48” in the bag containing literature supplied with the range.
4. Use a $\frac{3}{8}$ " combination wrench and remove the Natural gas orifice spud.

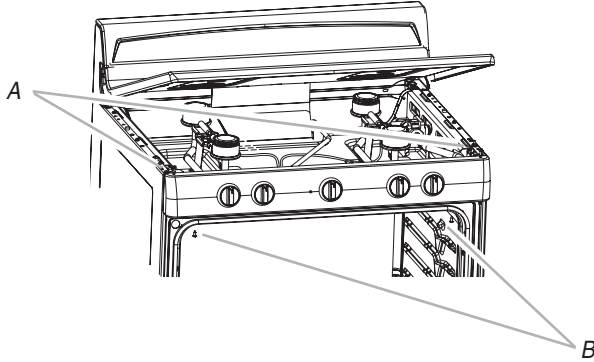


A. LP oven orifice spud stamped with “48”

5. Install the number “48” Natural gas spud.
IMPORTANT: Do not over tighten.
6. Place LP gas oven burner spud in plastic parts bag along with Natural gas cooktop burner spuds for future use and keep with the bag containing literature.
7. Reinstall oven burner.
8. Reinstall oven racks, oven tray and flame spreader.

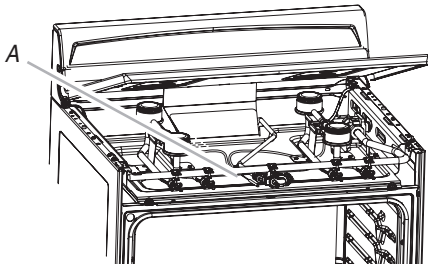
Pilot and Bypass Screws Conversion

1. Remove control knobs and set aside.
2. Remove upper grates.
3. Lift the cooktop by both front corners until the side support rods snap into position.
4. Open oven door.
5. Locate the two top fasteners and two bottom fasteners and remove them using a Phillips head screwdriver.



A. Top fasteners
B. Bottom fasteners

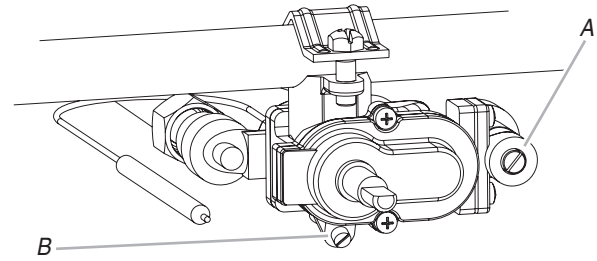
6. Set the front panel aside and locate the oven thermostat.



A. Oven thermostat

7. Locate the Natural gas bypass screw in the bag containing literature included with the range. One LP gas bypass screw is stamped "76."
8. Remove the LP gas bypass screw with a flat-blade screwdriver, turning counterclockwise.

9. Install the natural gas bypass screw with a flat-blade screwdriver, turning clockwise.



A. Pilot screw
B. bypass screw

10. Locate the Natural gas pilot screw in the bag containing literature included with the range. One Natural gas pilot screw is stamped "94."
11. Remove LP gas pilot screw with a flat-blade screwdriver, turning counterclockwise.
12. Install the Natural gas pilot screw with a flat-blade screwdriver, turning clockwise.
13. Replace the front panel and screw bottom and top fasteners in place.
14. Replace the control knobs. Push back on the side support rods and slowly lower the cooktop until it snaps into position. Close the oven door.

Complete Conversion

1. Refer to the "Make Gas Connection" section for properly connecting the range to the gas supply.
2. Turn the manual shutoff valve in the gas supply line to the open position.
3. Refer to the "Check Operation" section for proper burner ignition, operation and burner flame adjustments.

IMPORTANT: You may have to adjust the "LO" setting for each cooktop burner.

Checking for proper cooktop and oven burner flames is very important. The small inner cone should have a very distinct blue flame $\frac{1}{4}$ " to $\frac{1}{2}$ " (0.64 cm to 1.3 cm) long. The outer cone is not as distinct as the inner cone. Natural gas flames do not have yellow tips.

4. Close the broiler door and turn the knob to "OFF."
5. Refer to the "Complete Installation" section to complete this procedure.

SEGURIDAD DE LA ESTUFA

Su seguridad y la seguridad de los demás es muy importante.

Hemos incluido muchos mensajes importantes de seguridad en este manual y en su electrodoméstico. Lea y obedezca siempre todos los mensajes de seguridad.



Este es el símbolo de advertencia de seguridad.

Este símbolo le llama la atención sobre peligros potenciales que pueden ocasionar la muerte o una lesión a usted y a los demás.

Todos los mensajes de seguridad irán a continuación del símbolo de advertencia de seguridad y de la palabra "PELIGRO" o "ADVERTENCIA". Estas palabras significan:

⚠ PELIGRO

Si no sigue las instrucciones de inmediato, usted puede morir o sufrir una lesión grave.

⚠ ADVERTENCIA

Si no sigue las instrucciones, usted puede morir o sufrir una lesión grave.

Todos los mensajes de seguridad le dirán el peligro potencial, le dirán cómo reducir las posibilidades de sufrir una lesión y lo que puede suceder si no se siguen las instrucciones.

ADVERTENCIA: Para su seguridad, la información en este manual debe ser observada para minimizar el riesgo de incendio o explosión, o para prevenir daños a propiedades, heridas o la muerte.

- No almacene o use gasolina u otros líquidos y vapores inflamables cerca de este u otro aparato electrodoméstico.
- PASOS QUE USTED DEBE SEGUIR SI HUELE A GAS:
 - No trate de encender ningún aparato electrodoméstico.
 - No toque ningún interruptor eléctrico.
 - No use ningún teléfono en su casa o edificio.
 - Llame inmediatamente a su proveedor de gas desde el teléfono de un vecino.
Siga las instrucciones de su proveedor de gas.
 - Si usted no puede comunicarse con su proveedor de gas, llame al departamento de bomberos.
- La instalación y el servicio deben ser efectuados por un instalador calificado, una agencia de servicio o por el proveedor de gas.

ADVERTENCIA: Las pérdidas de gas no siempre se pueden detectar por el olfato.

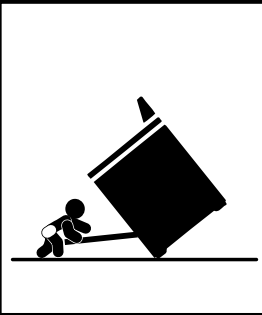
Los proveedores de gas recomiendan que usted use un detector de gas aprobado por UL (Laboratorio de normalización) o CSA (Asociación canadiense de seguridad).

Para obtener más información, póngase en contacto con su proveedor de gas.

Si se detecta una fuga de gas, siga las instrucciones de "Pasos que usted debe seguir si huele a gas".

En el estado de Massachusetts se aplican las siguientes instrucciones de instalación:

- Las instalaciones y reparaciones se deben efectuar por un contratista, plomero o gasista calificado o licenciado por el estado de Massachusetts.
- Si se usa una válvula de bola, debe ser un tipo de manigueta T.
- Si se usa un conector de gas flexible no debe exceder de 3 pies.



⚠ ADVERTENCIA

Peligro de Vuelco

Un niño o un adulto puede volcar accidentalmente la estufa y resultar muerto.

Conecte el soporte anti-vuelco a la pata trasera de la estufa.

Si traslada de lugar la estufa, vuelva a conectar el soporte anti-vuelco.

No seguir estas instrucciones puede ocasionar la muerte o quemaduras graves en niños y adultos.

REQUISITOS DE INSTALACIÓN

Piezas y herramientas

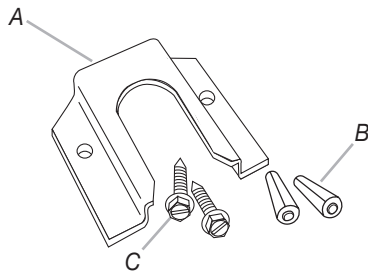
Reúna las herramientas y piezas necesarias antes de comenzar la instalación. Lea y siga las instrucciones provistas con cualquiera de las herramientas enlistadas aquí.

Herramientas necesarias

- Nivel
- Trinquete de accionamiento de $\frac{3}{8}$ "
- Cinta para medir
- Destornillador de hoja plana
- Destornillador Phillips
- Taladro manual o eléctrico
- Llave de tuerca o pinzas
- Llave de combinación de 7 mm
- Llave para tubos
- Broca de $\frac{1}{8}$ " (3,2 mm) (para pisos de madera)
- Broca para albañilería con punta de carburo de $\frac{3}{16}$ " (4,8 mm) (para pisos de concreto/cerámica)
- Pegamento para tuberías resistente a gas LP
- Solución para detectar fugas, que no sea corrosiva

Piezas suministradas

Verifique que estén todas las piezas.



A. Soporte anti-vuelco
B. Taquetes de plástico (2)
C. Espitas #10 x $\frac{1}{2}$ " (2)

- Los soportes deben estar montados en el contrapiso firmemente. Según el espesor del piso, es posible que sea necesario utilizar tornillos más largos para sujetar el soporte al contrapiso. Puede conseguir tornillos más largos en su ferretería local.

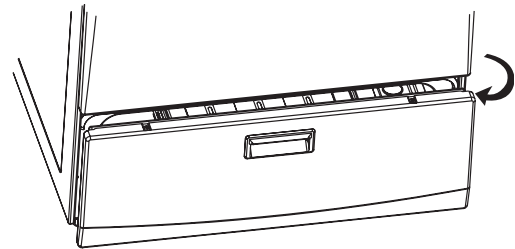
Piezas necesarias

Verifique los códigos locales y consulte con el proveedor de gas. Verifique el suministro de gas existente. Vea la sección "Requisitos del suministro de gas".

Requisitos de ubicación

IMPORTANTE: Observe todos los códigos y reglamentos aplicables. No obstruya el flujo de aire para la combustión y la ventilación.

- Es la responsabilidad del instalador cumplir con los espacios de instalación especificados en la placa con la clasificación de modelo/serie. La placa indicadora de modelo/serie está ubicada en el marco del horno, detrás del lado izquierdo de la puerta del asador.



- Deberá colocarse la estufa en un lugar conveniente de la cocina para su uso.
- Las instalaciones empotradas deberán proveer un recinto cerrado de los lados y la parte posterior de la estufa.
- Para eliminar el riesgo de quemaduras o incendio al tocar unidades con la superficie demasiado caliente, deberá evitarse el uso de armarios de almacenaje encima de las unidades. Si van a proveerse armarios, puede reducir el riesgo instalando una capota de ventilación que se proyecte horizontalmente un mínimo de 5" (12,7 cm) sobresaliendo de la base de los armarios.
- Deberán sellarse todas las aberturas en la pared o en el piso en donde se instalará la estufa.

- No selle la estufa a los armarios laterales.
- Deben usarse las dimensiones de la abertura del armario que se muestran. Las dimensiones proporcionadas son los espacios mínimos.
- Debe instalarse el soporte anti-vuelco del piso. Para instalar el soporte anti-vuelco enviado con la estufa, vea la sección "Instalación del soporte anti-vuelco".
- Deberá haber una conexión adecuada del suministro de gas. Vea la sección "Requisitos del suministro de gas".
- Póngase en contacto con un instalador calificado de revestimiento de pisos para cerciorarse de que el revestimiento del piso puede soportar por lo menos 200°F (93°C).
- Use una almohadilla aislante o una madera laminada de ¼" (0,64 cm) debajo de la estufa si va a instalar la estufa sobre una alfombra.

IMPORTANTE: Para evitar daños a sus armarios, verifique con el constructor o distribuidor de armarios para asegurarse de que los materiales que se usen no se descoloren, astillen ni sufran ningún otro tipo de daño. Este horno ha sido diseñado de acuerdo a los requisitos de UL y CSA International, y cumple con las temperaturas máximas permitidas para armarios de madera de 194°F (90°C).

Requisitos de instalación adicionales para las casas rodantes

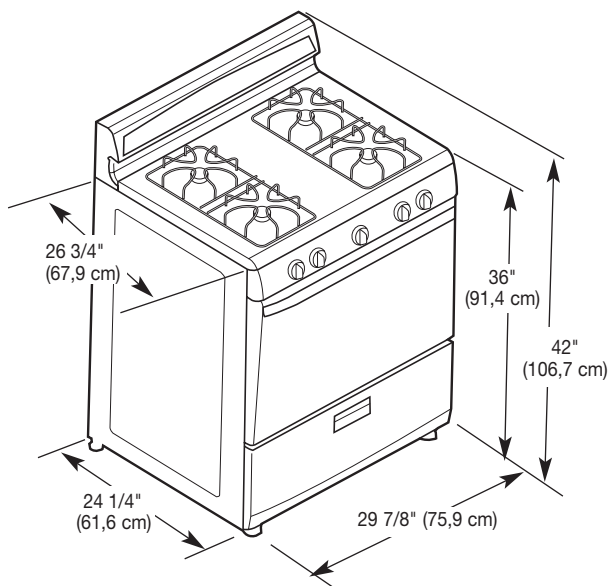
La instalación de esta estufa debe ajustarse al Estándar de seguridad y construcción de casas fabricadas, Título 24 CFR, Parte 3280 (anteriormente conocido como Estándar federal para la seguridad y construcción de casas rodantes, Título 24, HUD Parte 280). Cuando no sea aplicable ese estándar, use el Estándar para instalaciones en casas fabricadas, ANSI A225.1/NFPA 501A u obedezca los códigos locales.

Las instalaciones en casas rodantes necesitan:

- Cuando se instale esta estufa en una casa rodante, deberá asegurarse al piso durante el transporte. Cualquier método de fijación es adecuado en tanto cumpla con las normas indicadas arriba.

Medidas del producto

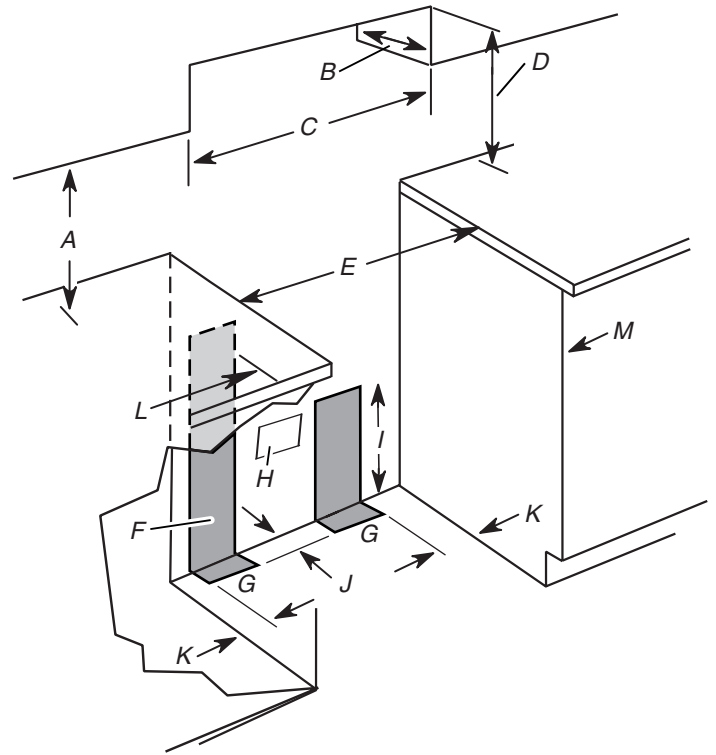
Estufa autónoma



Las dimensiones de la abertura del armario que se muestran son para una profundidad del mostrador de 25" (64,0 cm), profundidad de la base del armario de 24" (61,0 cm) y una altura del mostrador de 36" (91,4 cm).

Si la profundidad del armario es mayor de 24" (61,0 cm), deberá extenderse el marco del horno más allá de los frentes del armario por un mínimo de ½" (13,0 mm).

IMPORTANTE: Si va a instalar una campana para estufa o una combinación microondas campana sobre la estufa, siga las instrucciones de instalación incluidas con la campana para estufa o la combinación microondas campana para las medidas de espacio sobre la superficie de cocción.



- A. 18" (45,7 cm) del armario lateral superior al mostrador
- B. 13" (33 cm) profundidad máxima del armario superior
- C. 30" (76,2 cm) ancho mínimo de la abertura
- D. Para ver el espacio mínimo hasta la parte superior de la superficie de cocción, vea la NOTA*
- E. 30 1/8" (76,5 cm) ancho mínimo de la abertura
- F. Se recomienda esta área sombreada para la instalación de la tubería de gas rígida.
- G. 8" (20,3 cm)
- H. Contacto con conexión a tierra
- I. 17" (43,2 cm)
- J. 4 1/2" (11,4 cm)
- K. 2" (5,1 cm)
- L. Espacio mínimo de 2" (5,1 cm) de ambos lados de la estufa para la pared lateral u otro material combustible.

***NOTA:** 24" (61,0 cm) mínimo cuando la base del armario de madera o de metal esté protegida por cartón retardante a las llamas de no menos de ¼" (0,64 cm), cubierto de lámina de acero de no menos de N° 28 MSG, acero inoxidable de 0,015" (0,4 mm), aluminio de 0,024" (0,6 mm) o cobre de 0,020" (0,5 mm).

30" (76,2 cm) de espacio mínimo entre la parte superior de la plataforma de la superficie de cocción y la base de un armario de madera o metal desprotegido.

Espacios libres para instalación

Requisitos del suministro de gas

⚠ ADVERTENCIA



Peligro de Explosión

Use una línea de suministro de gas nueva con aprobación de CSA International.

Instale una válvula de cierre.

Apriete firmemente todas las conexiones de gas.

Si se conecta a un suministro de gas LP, la presión no debe exceder una columna de agua de 36 cm (14") y debe ser verificada por una persona calificada.

Ejemplos de una persona calificada incluyen:

personal de servicio del sistema de calefacción con licencia,
personal autorizado de la compañía de gas, y
personal autorizado para dar servicio.

No seguir estas instrucciones puede ocasionar la muerte, explosión o incendio.

Observe todos los códigos y reglamentos aplicables.

IMPORTANTE: Esta instalación debe hacerse de acuerdo con todos los códigos y ordenanzas locales. Si no hay códigos locales, la instalación deberá hacerse de acuerdo al Código Nacional Estadounidense (American National Standard), el Código Nacional de Gas Combustible (National Fuel Gas Code), ANSI Z223.1- última edición o CAN/CGA B149 - última edición.

IMPORTANTE: La prueba de fugas de la estufa deberá efectuarse según las instrucciones del fabricante.

Tipo de gas

Gas natural:

El diseño de esta estufa está certificado por CSA International para gas natural o, después de la conversión apropiada, para usarse con gas L.P.

- Esta estufa está preparada de fábrica para uso con gas natural. Vea la sección "Conversiones de gas". La placa con el número de modelo/serie, ubicada en el marco, del lado derecho, detrás del cajón de almacenamiento, tiene información acerca de los tipos de gas que pueden usarse. Si la lista de tipos de gas no incluye el tipo de gas disponible, averigüe con el distribuidor de gas de su localidad.

Conversión de gas L.P.:

La conversión deberá llevarla a cabo un técnico de servicio calificado.

No se deberá hacer intento alguno para convertir el aparato del gas especificado en la placa de clasificación del modelo/serie para utilizar un gas distinto sin consultar con el abastecedor de gas. Vea la sección "Conversiones de gas".

Línea de suministro de gas

- Provea una línea de suministro de gas de tubería rígida de 3/4" (1,9 cm) hacia la ubicación de la estufa. Una tubería de tamaño más pequeño en tendidos más largos puede traer como consecuencia un suministro de gas insuficiente. Deben usarse compuestos para uniones de tubería que sean resistentes a la acción del gas LP. No utilice cinta TEFLON®. Con el gas LP, el tamaño de la tubería puede ser de un mínimo de 1/2" (1,3 cm). Por lo general, los proveedores de suministro de gas LP determinan el tamaño y los materiales a usarse en el sistema.

Conector flexible de metal del aparato:

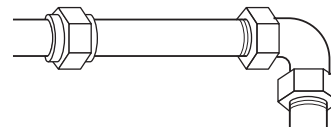
- Si los códigos locales lo permiten, puede usarse un conector de metal flexible para aparatos nuevo, con diseño certificado de CSA, de 4 a 5 pies (122 a 152,4 cm) de largo, diámetro interno de 1/2" (1,3 cm) ó 3/4" (1,9 cm) para conectar la estufa a la línea de suministro de gas.



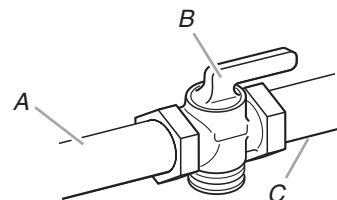
- Se necesita una rosca macho para tubería de 1/2" (1,3 cm) para conectar las roscas hembra de la entrada al regulador de presión del aparato.
- No tuerza ni dañe la tubería de metal flexible cuando mueva la estufa.

Conexión de tubería rígida:

La conexión de tubería rígida requiere una combinación de accesorios de tubería para obtener una conexión en línea hacia la estufa. La tubería rígida deberá estar nivelada con la conexión de la estufa. Deberán quitarse todas las torceduras de las líneas de suministro y de combustible para que la estufa esté nivelada y alineada.



- Debe tener una válvula de cierre:
La línea de suministro deberá equiparse con una válvula de cierre manual. Esta válvula deberá estar ubicada en la misma habitación pero fuera de la estufa. Deberá estar en una ubicación que permita un fácil acceso para abrir y cerrar. No bloquee el acceso a la válvula de cierre. La válvula es para abrir o cerrar el suministro de gas a la estufa.



A. Línea de suministro de gas
B. Válvula de cierre en posición "abierta"
C. A la estufa

Regulador de la presión de gas

Deberá usarse el regulador de la presión de gas suministrado con esta estufa. Para el funcionamiento adecuado, la presión de entrada al regulador deberá ser como se indica a continuación:

Gas natural:

Presión mínima: 5" WCP

Presión máxima: 14" WCP

†TEFLON es una marca registrada de E.I. Du Pont De Nemours and Company.

Gas LP:

Presión mínima: 11" WCP

Presión máxima: 14" WCP

Póngase en contacto con el proveedor de gas de su localidad si no está seguro acerca de la presión de entrada.

Requisitos de entrada del quemador

Los rangos de entrada que se muestran en la placa de clasificación del modelo/serie son para elevaciones de hasta 2.000 pies (609,6 m).

Para elevaciones mayores de 2.000 pies (609,6 m), los rangos se reducen a un flujo de 4 % por cada 1.000 pies (304,8 m) por encima del nivel del mar (no es aplicable para Canadá).

Prueba de presión del suministro de gas

La presión del suministro de gas para un regulador de prueba debe ser de al menos 1" de la presión de la columna de agua sobre la presión del múltiple, que se muestra en la placa indicadora del modelo/serie.

Prueba de presión de la línea por encima de ½ lb/pulg² manométrica (presión de la columna de agua de 14)

La estufa y su válvula de cierre individual deberán ser desconectadas del sistema de tubería del suministro de gas durante toda prueba de presión efectuada en dicho sistema a presiones de prueba mayores de ½ lb/pulg² (3,5 kPa).

Prueba de presión de la línea a ½ lb/pulg² (presión de una columna de agua de 14") o menor

La estufa deberá aislarse del sistema de tubería del suministro de gas cerrando la válvula de cierre individual durante toda prueba de presión efectuada en dicho sistema a presiones de prueba iguales o menores de ½ lb/pulg² (3,5 kPa).

INSTRUCCIONES DE INSTALACIÓN

Desempaque la estufa

⚠ ADVERTENCIA

Peligro de peso excesivo

Use dos o más personas para mover e instalar la estufa.

No seguir esta instrucción puede ocasionar una lesión en la espalda u otro tipo de lesiones.

1. No use la agarradera de la puerta del horno para levantar o mover la estufa.
 2. Quite los materiales de envío, la cinta adhesiva y la película de la estufa. Mantenga la base de cartón debajo de la estufa.
 3. Saque las parrillas del horno y el paquete de piezas del interior del horno.
 4. Para colocar la estufa sobre su parte posterior, tome los 4 esquinales de cartón de la caja. Apile un esquinale de cartón sobre el otro. Repita con los otros 2 esquinales. Colóquelos a lo largo, sobre el piso, detrás de la estufa para protegerla cuando se coloque sobre su parte posterior.
 5. Con la ayuda de 2 o más personas, agarre la estufa con firmeza y colóquela suavemente sobre su parte posterior, en los esquinales de cartón.
 6. Jale la base de cartón con firmeza para quitarla.
 7. Use una llave de tuercas ajustable para aflojar las patas niveladoras. Ajuste las patas niveladoras para corregir la altura. Las patas niveladoras pueden aflojarse para agregar un máximo de 1" (2,5 cm). Se necesita un mínimo de 3/16" (5,0 mm) para encajar el soporte anti-vuelco.
- NOTA:** Si se ajusta la altura cuando la estufa está de pie, inclínela hacia atrás para ajustar las patas delanteras y luego inclínela hacia adelante para ajustar las patas traseras.
8. Coloque el cartón o madera frente a la estufa. Con la ayuda de 2 o más personas, coloque la estufa de pie nuevamente sobre el cartón o madera.

Instalación del soporte anti-vuelco

Póngase en contacto con un instalador competente de revestimiento de pisos para ver cuál es el mejor procedimiento para perforar orificios de montaje a través del tipo de revestimiento de pisos que usted tenga.

⚠ ADVERTENCIA



Peligro de Vuelco

Un niño o un adulto puede volcar accidentalmente la estufa y resultar muerto.

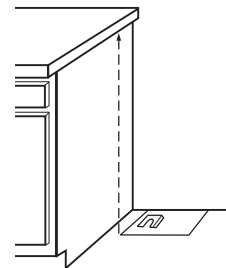
Conecte el soporte anti-vuelco a la pata trasera de la estufa.

Si traslada de lugar la estufa, vuelva a conectar el soporte anti-vuelco.

No seguir estas instrucciones puede ocasionar la muerte o quemaduras graves en niños y adultos.

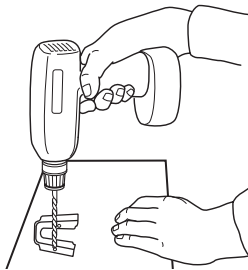
Antes de mover la estufa, deslícela sobre la base de transporte, cartón o madera.

1. Saque la plantilla del juego del soporte anti-vuelco (que se encuentra dentro de la cavidad del horno) o de la parte posterior de este manual.
2. Coloque la plantilla sobre el piso, en la abertura del armario, de manera que el extremo izquierdo esté contra el armario y el extremo superior esté contra la pared posterior, moldura o armario.
3. Pegue la plantilla con cinta adhesiva en el lugar.
4. Si el mostrador no está alineado con el extremo de la abertura del armario, alinee la plantilla con la saliente.



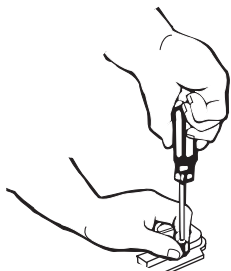
Si la abertura del armario es más ancha que lo especificado en la sección "Requisitos de ubicación", ajuste la plantilla de manera que la estufa esté centrada en la abertura del armario.

5. Para montar el soporte anti-vuelco al piso de madera, perforo dos orificios de $\frac{1}{8}$ " (3,2 mm) en las posiciones marcadas en la plantilla del soporte. Saque la plantilla del piso.



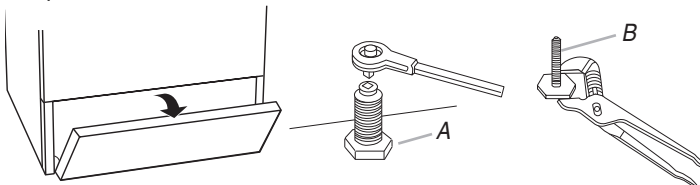
Para montar el soporte anti-vuelco a un piso de hormigón o de cerámica, use una broca de taladro de albañilería de $\frac{3}{16}$ " (0,48 cm) para taladrar 2 orificios en las posiciones marcadas sobre la plantilla del soporte. Saque la plantilla del piso.

6. Martille los taquetes de plástico en los orificios.
7. Alinee los orificios del soporte anti-vuelco con los orificios en el piso. Sujete el soporte anti-vuelco con los tornillos provistos.



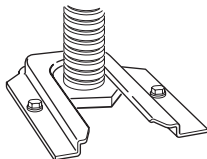
Según el espesor del piso, es posible que necesite tornillos más largos para sujetar el soporte al contrapiso. Puede conseguir tornillos más largos en su ferretería local.

8. Mueva la estufa lo suficientemente cerca de la abertura para permitir que se hagan las conexiones finales de gas. Quite la base de transporte, cartón o madera que se encuentra debajo de la estufa.
9. Abra la puerta del asador. Use un trinquete de accionamiento de $\frac{3}{8}$ ", para bajar las patas niveladoras traseras dando medio giro. Use una llave de tuercas o unas pinzas para bajar las patas niveladoras delanteras media vuelta.



A. Pata niveladora trasera
B. Pata niveladora delantera

10. Ajuste las patas niveladoras para corregir la altura. Las patas niveladoras pueden aflojarse para agregar un máximo de 1" (2,5 cm). Se necesita un mínimo de $\frac{3}{16}$ " (0,48 cm) para encajar el soporte anti-vuelco.
11. Mueva la estufa a su ubicación final, asegurándose de que la pata niveladora trasera se deslice en el soporte anti-vuelco.



12. Si instala la estufa en una casa rodante, deberá fijar la estufa al piso. Cualquier método de fijación es adecuado en tanto cumpla con las normas indicadas en la sección "Requisitos de ubicación".
13. Continúe instalando la estufa siguiendo las instrucciones de instalación.

Conexión del suministro de gas

⚠ ADVERTENCIA



Peligro de Explosión

Use una línea de suministro de gas nueva con aprobación de CSA International.

Instale una válvula de cierre.

Apriete firmemente todas las conexiones de gas.

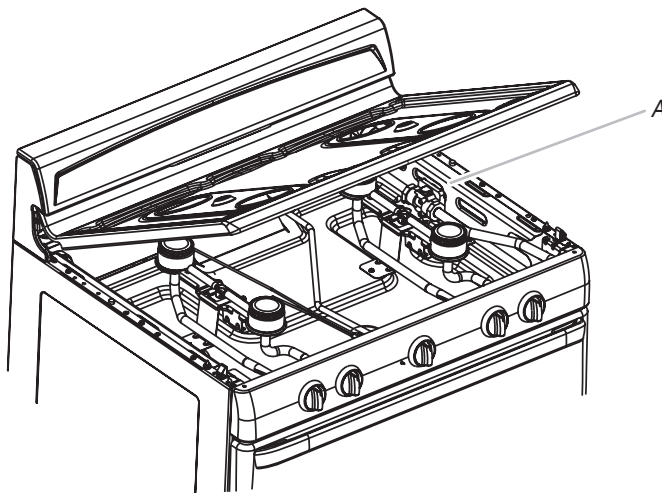
Si se conecta a un suministro de gas LP, la presión no debe exceder una columna de agua de 36 cm (14") y debe ser verificada por una persona calificada.

Ejemplos de una persona calificada incluyen:

personal de servicio del sistema de calefacción con licencia,
personal autorizado de la compañía de gas, y
personal autorizado para dar servicio.

No seguir estas instrucciones puede ocasionar la muerte, explosión o incendio.

1. Saque las parrillas.
2. Levante la superficie de cocción sosteniéndola por las esquinas frontales hasta que las barras laterales de soporte encajen en su lugar.
3. Ubique el regulador de la presión de gas adentro de la caja del quemador.



A. Regulador de la presión de gas

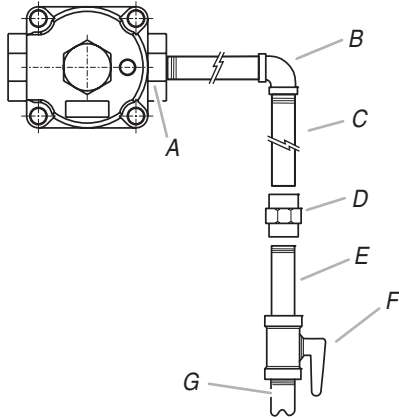
IMPORTANTE: No quite el regulador de la presión de gas.

4. Todas las conexiones deberán ir sobre y a través de la caja del quemador y bajar por la parte posterior de la estufa.

Conexión típica de la tubería rígida

Se debe usar una combinación de tubos de unión para conectar la estufa a la línea de suministro de gas existente. Sus conexiones pueden ser distintas, de acuerdo con el tipo de línea de suministro, tamaño y ubicación.

1. Aplique compuesto para unión de tubería fabricado para usarse con el gas LP en todas las conexiones con rosca de tubería.
2. Utilizando una llave de tuercas para tubería para ajustar, conecte el suministro de gas a la estufa.

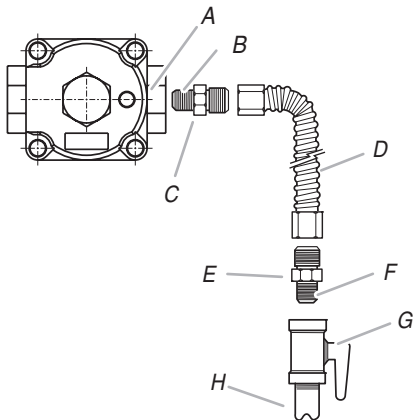


A. Accesorio de conexión del regulador de presión
B. Codo de 90°
C. Tubería de hierro negro

D. Unión
E. Niple
F. Válvula de cierre manual
G. Tubo de gas de 1/2" ó 3/4"

Conexión flexible típica

1. Use una llave de combinación y unas pinzas para ajustar el conector flexible a los adaptadores. Cerciérese de que el conector no esté torcido.

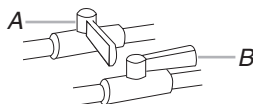


A. Accesorio de conexión del regulador de presión
B. Use compuesto para uniones de tubería
C. Adaptador
D. Conector flexible

E. Adaptador
F. Use compuesto para uniones de tubería
G. Válvula de cierre manual
H. Tubo de gas de 1/2" ó 3/4"

Complete la conexión

1. Abra la válvula de cierre manual de la línea de suministro de gas. La válvula está abierta cuando la manija está paralela al tubo de gas.

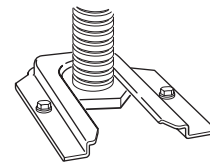


A. Válvula cerrada
B. Válvula abierta

2. Pruebe todas las conexiones aplicando con un cepillo una solución aprobada para detección de fugas que no sea corrosiva. Se observarán burbujas si hay fuga. Tape cualquier fuga que encuentre.
3. Empuje nuevamente las barras laterales de soporte y baje lentamente la superficie de cocción hasta que encaje en su lugar.
4. Coloque los quemadores, las tapas de los quemadores y las parrillas sobre la superficie de cocción.

Verificación de la ubicación del soporte anti-vuelco

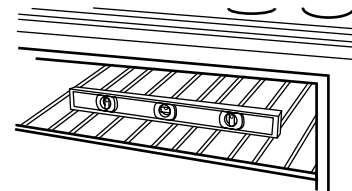
1. Asegúrese de que el soporte anti-vuelco haya sido instalado.
 - Busque el soporte anti-vuelco ajustado firmemente al piso.
 - Deslice la estufa hacia atrás de modo tal que la pata trasera quede debajo del soporte anti-vuelco.
2. Si instala la estufa en una casa rodante, deberá fijar la estufa al piso. Cualquier método de fijación es adecuado en tanto cumpla con las normas indicadas en la sección "Requisitos de ubicación".



3. Continúe instalando la estufa siguiendo las instrucciones de instalación.

Nivelación de la estufa

1. Ponga la parrilla en el horno.
2. Coloque un nivel en la parrilla y verifique que la estufa esté nivelada, primero de lado a lado y después de adelante hacia atrás.



3. Si la estufa no está nivelada, jálala hacia adelante hasta quitar la pata niveladora posterior del soporte anti-vuelco. Use un trinquete de accionamiento de 3/8" y llave de tuercas o pinzas para ajustar las patas niveladoras hacia arriba o hacia abajo hasta que la estufa esté nivelada.
4. Empuje la estufa a su posición final.
5. Verifique que la pata niveladora trasera esté enganchada en el soporte anti-vuelco.

NOTA: La estufa debe estar nivelada para obtener un horneado satisfactorio.

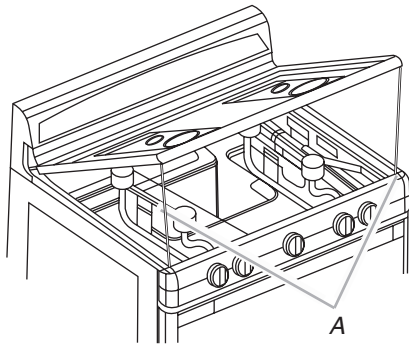
Verifique el funcionamiento

Para encender las luces piloto fijas:

Antes de usar la estufa, deberán estar encendidas las luces piloto. Permanecerán encendidas después de que se apaguen los quemadores.

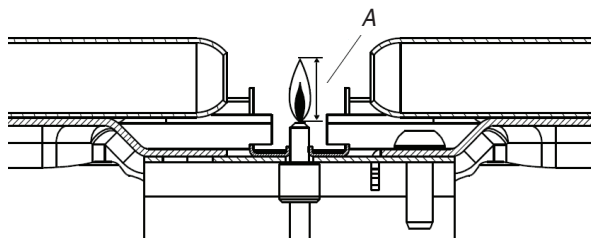
1. Asegúrese de que todos los controles estén apagados y que el horno y la superficie de cocción estén fríos.
2. Saque las parrillas de superficie de la superficie de cocción.

- Levante la superficie de cocción sosteniéndola por las esquinas frontales hasta que las barras laterales de soporte encajen en su posición.



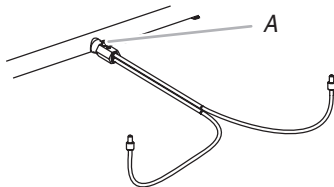
A. Barras de soporte laterales

- Encienda con un cerillo ambas luces piloto del quemador.
- Las llamas piloto de la superficie deberán tener una altura de 0,4" a 0,6" (1,0 a 1,5 cm).



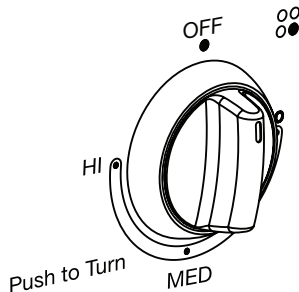
A. 0,4" a 0,6" (1,0 a 1,5 cm)

- Si se necesita regular las llamas piloto, use un destornillador de hoja plana y gire el tornillo de ajuste hasta que la llama tenga la altura deseada.



A. Tornillo de ajuste

- Empuje nuevamente las barras laterales de soporte y baje lentamente la superficie de cocción hasta que encaje en su posición.
- Empuje hacia adentro y gire cada perilla de control del quemador de superficie hacia la posición "HI" (Alto). La llama deberá encenderse en menos de 4 segundos.



- Si no se encienden los quemadores de superficie, repita los pasos 3 a 6.

- Fíjese que cada quemador de la superficie de cocción tenga la llama adecuada. El cono interior pequeño deberá tener una llama azul bien nítida de 1/4" (0,64 cm) a 1/2" (1,3 cm) de largo. El cono exterior no es tan nítido como el cono interior.

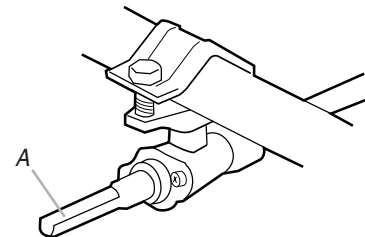


A. Cono exterior
B. Cono interior

- Gire rápidamente la perilla de control hacia la posición "LO" (Bajo) después de que el quemador se encienda. Si la llama se apaga, gire la perilla de control hacia la posición "OFF" (Apagado).
- Fíjese que cada quemador de la superficie de cocción tenga la llama baja adecuada. La llama baja deberá ser una llama azul minúscula y estable. La llama deberá tener una altura de 1/4" a 3/8" (0,64 cm a 0,95 cm).

Si la llama baja necesita ajustarse:

- Gire la perilla de control hacia el ajuste "Lo" (Bajo) y sáquela.
- Inserte un destornillador pequeño de hoja plana en el vástago de la válvula. Gire el tornillo de ajustar la válvula para obtener la llama más pequeña que no se apague cuando se gire el control de un quemador frío de "HI" (Alto) a "Lo" (Bajo). Gire hacia la derecha para reducir la altura de la llama. Gire hacia la izquierda para aumentar la altura de la llama. Repita el procedimiento para los otros quemadores de la superficie de cocción, según sea necesario.

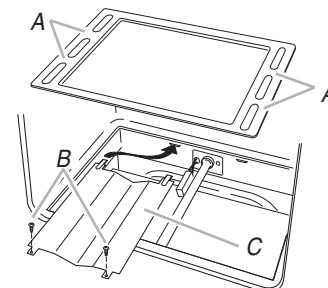


A. Vástago de la válvula

- Vuelva a colocar la perilla de control.

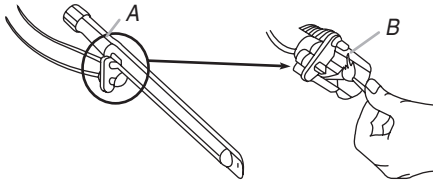
Verifique el funcionamiento del quemador de asar/del horno

- Asegúrese de que todos los controles estén apagados, y que el horno esté frío.
- Abra la puerta del horno para sacar las parrillas y la bandeja inferior del mismo.
- Saque los sujetadores que sostienen el espaciador de llama. Levante el espaciador de llama y jálalo hacia afuera.



A. Bandeja inferior del horno
B. Sujetadores
C. Espaciador de llama

- Ubique la luz piloto en el lado izquierdo del quemador del horno.
- Empuje y sostenga la perilla de control del horno; luego encienda la luz piloto del horno con un cerillo.

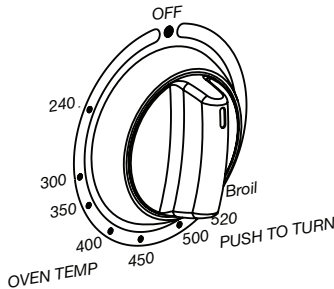


A. Quemador del horno
B. Piloto del horno

- Sostenga hacia adentro la perilla de control del horno durante 10 segundos para asegurarse de que la luz piloto permanecerá encendida.
- Si la luz piloto se apaga después de soltar la perilla, repita los pasos 5 y 6.
- Cuando el piloto del horno permanezca encendido, reemplace el esparcidor de llama, la bandeja inferior del horno y las parrillas.

NOTA: La luz piloto permanecerá encendida después de que se apague el horno. El quemador del horno deberá encenderse la próxima vez que se seleccione la temperatura en la perilla de control del horno. Si no se enciende el quemador del horno, repita los pasos previos para encender las luces piloto del horno.

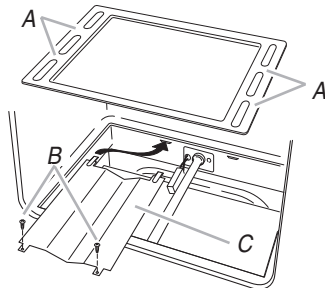
- Abra la puerta del asador.
- Empuje hacia adentro y gire la perilla de control del horno a 350°F. El piloto del horno deberá ser más grande ahora, con la llama quemando contra un pequeño bulbo metálico. El quemador del horno deberá encenderse en 20-40 segundos; este retraso es normal. La válvula del horno requiere un tiempo determinado antes de abrirse y dejar que fluya el gas.



- Verifique el quemador del horno para ver si la llama es adecuada. La llama deberá medir $\frac{1}{2}$ " (1,3 cm) de largo, con el cono interior de color verde azulado. El manto exterior deberá ser de color azul oscuro y tener una apariencia limpia y delicada. No deberán ocurrir llamas con puntas amarillas (no hay suficiente aire), sacando chispas ni que se levante (hay demasiado aire).

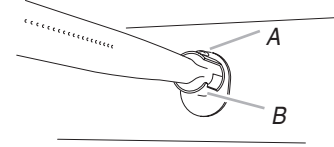
Si la llama necesita ajustarse:

- Apague el horno. Espere a que se enfríe el quemador del horno.
- Abra la puerta del horno y saque las parrillas, charola y esparcidor de llama del horno; déjelos a un lado.



A. Bandeja inferior del horno
B. Sujetadores
C. Esparcidor de llama

- Ubique el obturador de aire cerca de la pared posterior del horno y afloje el tornillo del obturador.



A. Tornillo del obturador
B. Obturador de aire

- Ajuste el obturador de aire.
- Vuelva a encender el horno y fíjese que la llama sea adecuada. Si la llama todavía no está ajustada debidamente, apague el horno, espere que se enfríe el quemador del mismo y repita el paso 4 hasta ajustar la llama como es debido.
- Una vez que se haya ajustado la llama como es debido, apague el horno y espere que se enfríe el quemador.
- Apriete el tornillo del obturador.
- Vuelva a instalar el esparcidor de llama y la bandeja del horno. Vuelva a instalar las parrillas del horno y cierre la puerta del mismo.

Complete la instalación

- Verifique que todas las piezas estén instaladas. Si hay alguna pieza extra, vuelva a revisar todos los pasos para ver cuál se omitió.
- Verifique que tiene todas las herramientas.
- Deshágase de todos los materiales de embalaje o recíclelos.
- Verifique que la estufa esté nivelada. Vea "Nivelación de la estufa".
- Use una solución suave de limpiador doméstico líquido y agua tibia para quitar el residuo ceroso ocasionado por el material de embalaje. Seque meticulosamente con un paño suave. Para más información, vea la sección "Cuidado de la estufa" del Manual de uso y cuidado.
- Lea el Manual de uso y cuidado.
- Encienda los quemadores de superficie y el horno. Vea el Manual de uso y cuidado para obtener instrucciones específicas sobre el funcionamiento de la estufa.

Si la estufa no funciona, revise lo siguiente:

- Vea "Solución de problemas" en el Manual de uso y cuidado.
- Cuando la estufa haya estado funcionando por 5 minutos, sienta si hay calor. Si la estufa está fría, apáguela y revise que la válvula de cierre de la línea de suministro de gas esté abierta.
 - Si la válvula de cierre de la línea de suministro de gas está cerrada, ábrala y repita la prueba de 5 minutos como se ha descrito arriba.
 - Si la válvula de cierre de la línea de suministro de gas está abierta, presione el botón CANCEL (Anular), en el panel de control del horno y póngase en contacto con un técnico calificado.

Si necesita ayuda o servicio técnico:

Sírvase consultar la sección "Ayuda o servicio técnico" del Manual de uso y cuidado o póngase en contacto con el distribuidor en donde usted compró la estufa.

CONVERSIONES DE GAS

⚠ ADVERTENCIA



Peligro de Explosión

Use una línea de suministro de gas nueva con aprobación de CSA International.

Instale una válvula de cierre.

Apriete firmemente todas las conexiones de gas.

Si se conecta a un suministro de gas LP, la presión no debe exceder una columna de agua de 36 cm (14") y debe ser verificada por una persona calificada.

Ejemplos de una persona calificada incluyen:

personal de servicio del sistema de calefacción con licencia,
personal autorizado de la compañía de gas, y
personal autorizado para dar servicio.

No seguir estas instrucciones puede ocasionar la muerte, explosión o incendio.

Las conversiones de gas natural a gas LP o de gas LP a gas natural deberán ser hechas por un instalador calificado.

Conversión de gas LP

⚠ ADVERTENCIA



Peligro de Vuelco

Un niño o un adulto puede volcar accidentalmente la estufa y resultar muerto.

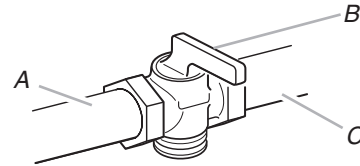
Conecte el soporte anti-vuelco a la pata trasera de la estufa.

Si traslada de lugar la estufa, vuelva a conectar el soporte anti-vuelco.

No seguir estas instrucciones puede ocasionar la muerte o quemaduras graves en niños y adultos.

Cómo convertir el regulador de la presión del gas

1. Gire la válvula de cierre manual a la posición de "cerrado".

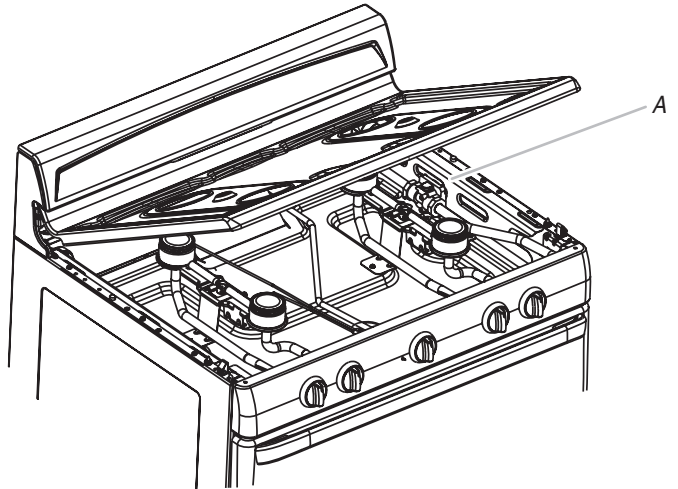


A. A la estufa

B. Válvula de cierre manual en la posición "cerrada"

C. Línea de suministro de gas

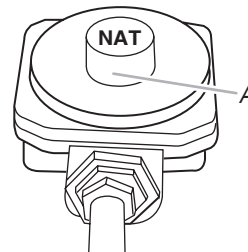
2. Saque las parrillas.
3. Levante la superficie de cocción sosteniéndola por las esquinas frontales hasta que las barras laterales de soporte encajen en su posición.
4. Ubique el regulador de la presión de gas.



A. Regulador de la presión de gas

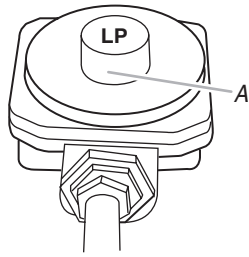
IMPORTANTE: No quite el regulador de la presión de gas.

5. Utilizando un destornillador de hoja plana, quite la tapa de bronce y voltéela de manera que se vea "LP".



A. Tapa de bronce

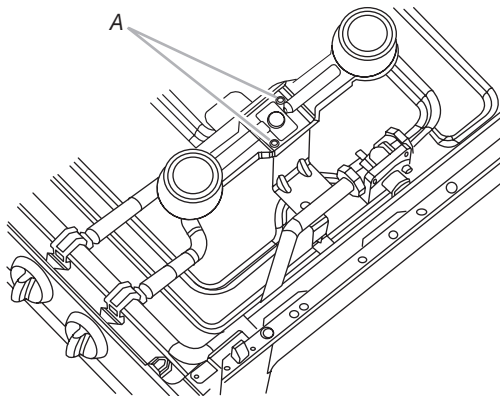
- Vuelva a colocar la tapa y apriétela con el destornillador de hoja plana.



A. Tapa

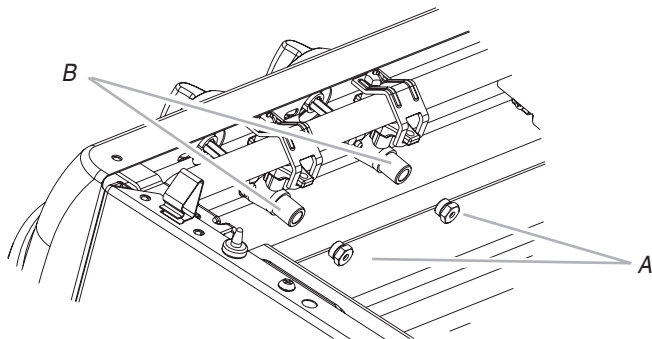
Cómo convertir los quemadores de superficie

- Quite las parrillas de la superficie de cocción.
- Levante la superficie de cocción sosteniéndola por las esquinas frontales hasta que las barras laterales de soporte encajen en su posición.
- Quite los tornillos que sujetan cada quemador dual.



A. Tornillos del quemador dual

- Levante cada quemador y deslícelo hacia atrás para quitarlo.
- Colóquelos a un lado.
- Ubique las espitas de los orificios de gas L.P. para los quemadores superiores, que están en la bolsa con material impreso incluida con la estufa. Hay cuatro espitas de gas LP estampadas con el número "67".
- Saque las espitas de los orificios de gas natural de las válvulas usando una llave de combinación de $\frac{3}{8}$ " (0,95 cm).
- Instale las espitas del orificio de gas LP en las válvulas.

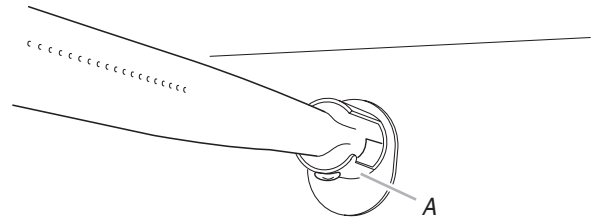


A. Espitas de los orificios
B. Válvulas

- Coloque las espitas de los orificios de gas natural en la bolsa de piezas para usarlos en el futuro y guarde esa bolsa en la bolsa con material impreso.
- Vuelva a colocar las parrillas.

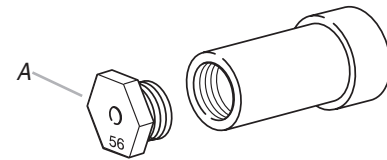
Cómo convertir el quemador del horno

- Abra la puerta del horno y saque las parrillas, la charola y el esparcidor de llama del horno; déjelos a un lado.
- Levante el quemador del horno. La espita del orificio está detrás del obturador de aire del quemador del horno.



A. Obturador de aire

- Ubique la espita del orificio de gas LP marcada con "56" en la bolsa con material impreso que se suministró con la estufa.
- Use una llave de combinación de $\frac{3}{8}$ " para sacar la espita del orificio de gas natural.
- Instale la espita de gas LP con el número "56".



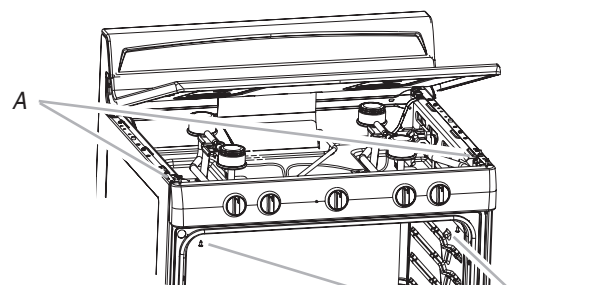
A. Espita del orificio del horno de gas LP que indica "56"

IMPORTANTE: No apriete demasiado.

- Coloque la espita del quemador del horno de gas natural en la bolsa de piezas junto con las espitas del quemador de la superficie de cocción de gas natural para usarlos en el futuro y guarde la bolsa con material impreso.
- Vuelva a instalar el quemador del horno.
- Vuelva a instalar las parrillas del horno, la bandeja del horno y el esparcidor de llama.

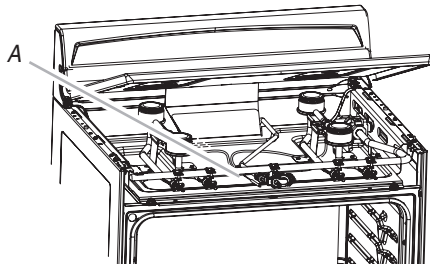
Conversión de tornillos de desvío y piloto

- Saque las perillas de control y póngalas a un lado.
- Saque las parrillas superiores.
- Levante la superficie de cocción sosteniéndola por las esquinas frontales hasta que las barras laterales de soporte encajen en su posición.
- Abra la puerta del horno.
- Ubique los dos ajustadores superiores y los dos inferiores y sáquelos usando un destornillador de cabeza Phillips.



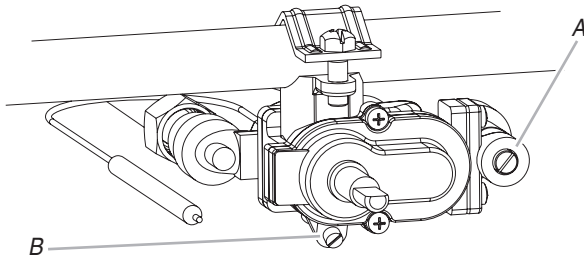
A. Ajustadores superiores
B. Ajustadores inferiores

- Coloque el panel frontal a un lado y ubique el termostato del horno.



A. Termostato del horno

- Ubique el tornillo de desvío de gas LP en la bolsa que contiene el manual incluido en la estufa. Hay un tornillo de desvío de gas LP estampado con "48".
- Quite el tornillo de desvío de gas natural con un destornillador de hoja plana, girándolo en el sentido contrario a las manecillas del reloj.
- Instale el tornillo de desvío de gas LP con un destornillador de hoja plana, girándolo en el sentido de las manecillas del reloj.



A. Tornillo piloto
B. Tornillo de desvío

- Ubique el tornillo piloto de gas LP en la bolsa que contiene el manual incluido en la estufa. Un tornillo piloto de gas LP está estampado con "15".
- Quite el tornillo piloto de gas natural con un destornillador de hoja plana, girándolo en el sentido contrario a las manecillas del reloj.
- Instale el tornillo piloto de gas LP con un destornillador de hoja plana, girándolo en el sentido de las manecillas del reloj.
- Vuelva a colocar el panel frontal y atornille los ajustadores superiores e inferiores en su lugar.
- Vuelva a colocar las perillas de control. Empuje nuevamente las barras laterales de soporte y baje lentamente la superficie de cocción hasta que encaje en su posición. Cierre la puerta del horno.

Complete la conversión

- Vea la sección "Conexión del suministro de gas" para conectar la estufa debidamente al suministro de gas.
- Gire la válvula de cierre manual en la línea de suministro de gas a la posición abierta.
- Vea la sección "Verifique el funcionamiento" para los ajustes apropiados de encendido, funcionamiento y llama del quemador.

IMPORTANTE: Tal vez tenga que modificar el ajuste "LO" (Bajo) para cada quemador de la superficie de cocción.

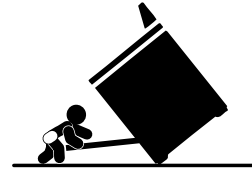
Es muy importante verificar la llama adecuada del quemador de la superficie de cocción y del horno. El cono interior pequeño deberá tener una llama azul bien nítida de ¼" a ½" (0,64 cm a 1,3 cm) de largo. El cono exterior no es tan nítido como el cono interior. Las llamas del gas LP tienen una punta de color ligeramente amarillo.

- Cierre la puerta del asador y gire la perilla a "Apagado" (OFF).
- Consulte la sección "Complete la instalación" para terminar este procedimiento.

Conversión de gas natural

Cómo convertir el regulador de la presión del gas

⚠ ADVERTENCIA



Peligro de Vuelco

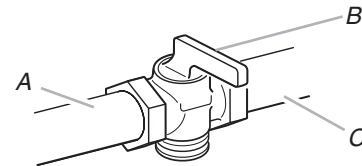
Un niño o un adulto puede volcar accidentalmente la estufa y resultar muerto.

Conecte el soporte anti-vuelco a la pata trasera de la estufa.

Si traslada de lugar la estufa, vuelva a conectar el soporte anti-vuelco.

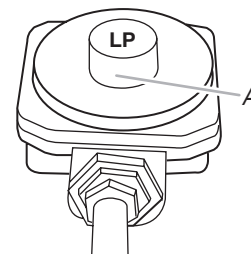
No seguir estas instrucciones puede ocasionar la muerte o quemaduras graves en niños y adultos.

- Gire la válvula de cierre manual a la posición de "cerrado".



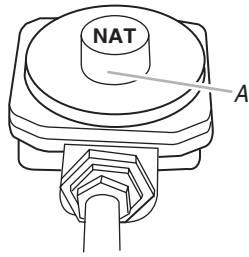
A. A la estufa
B. Válvula de cierre manual en la posición "cerrada"
C. Línea de suministro de gas

- Saque las parrillas.
- Levante la superficie de cocción sosteniéndola por las esquinas frontales hasta que las barras laterales de soporte encajen en su posición.
- Ubique el regulador de la presión de gas.
IMPORTANTE: No quite el regulador de la presión de gas.
- Utilizando un destornillador de hoja plana, quite la tapa de bronce y voltéela de manera que se vea "NAT".



A. Tapa de bronce

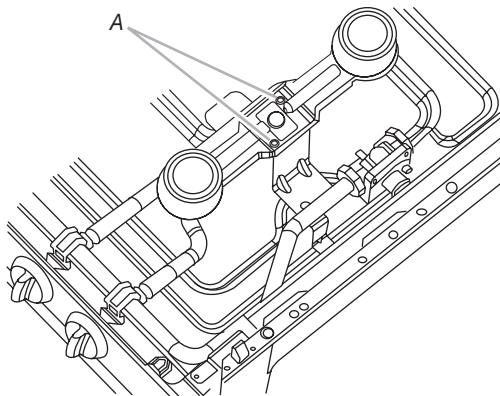
- Vuelva a colocar la tapa y apriétela con el destornillador de hoja plana.



A. Tapa

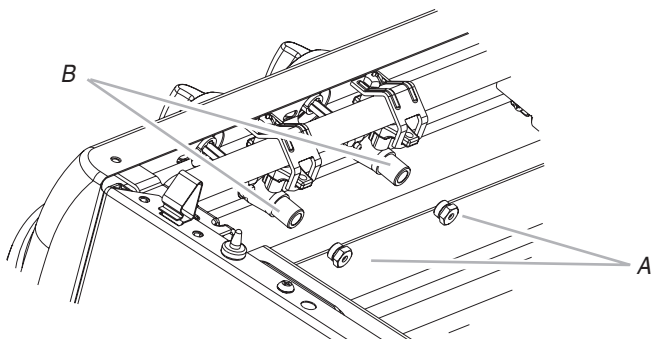
Cómo convertir los quemadores de superficie

- Quite las parrillas de la superficie de cocción.
- Levante la superficie de cocción sosteniéndola por las esquinas frontales hasta que las barras laterales de soporte encajen en su posición.
- Quite los tornillos que sujetan cada quemador dual.



A. Tornillos del quemador dual

- Levante cada quemador y deslícelo hacia atrás para quitarlo.
- Colóquelos a un lado.
- Ubique las espitas de los orificios de gas natural para los quemadores superiores, que están en la bolsa con material impreso incluida con la estufa. Hay cuatro espitas de gas natural estampadas con "1.42".
- Saque las espitas del orificio de gas LP de la válvula usando una llave de combinación de 3/8" (0,95 cm).
- Instale las espitas de los orificios de gas natural en las válvulas.

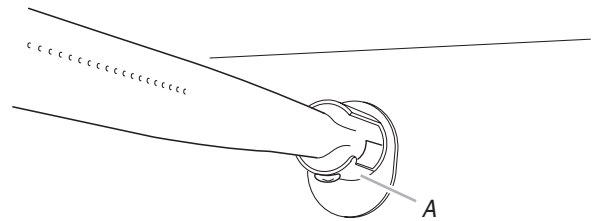


A. Espitas de los orificios
B. Válvulas

- Coloque las espitas de los orificios de gas LP en la bolsa de piezas para usarlas en el futuro y guarde la bolsa en la bolsa con material impreso.
- Empuje nuevamente las barras laterales de soporte y baje lentamente la superficie de cocción hasta que encaje en su posición.
- Vuelva a colocar las parrillas.

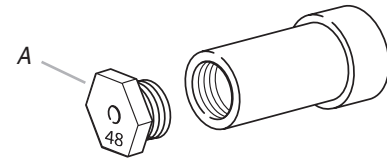
Cómo convertir el quemador del horno

- Abra la puerta del horno y saque las parrillas, charola y esparcidor de llama del horno; déjelos a un lado.
- Levante el quemador del horno. La espita del orificio está detrás del obturador de aire del quemador del horno.



A. Obturador de aire

- Ubique la espita del orificio de gas natural marcada con "48" en la bolsa con material impreso que se suministró con la estufa.
- Use una llave de combinación de 3/8" para sacar la espita del orificio de gas natural.



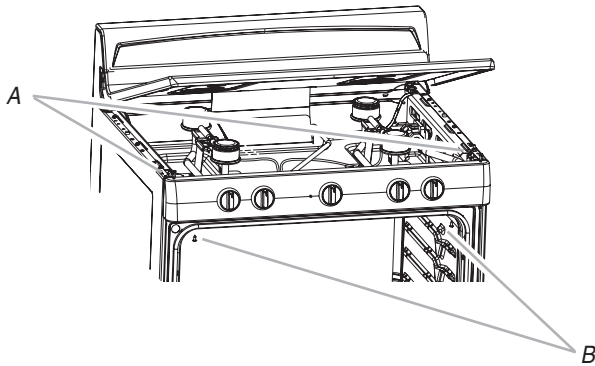
A. Espita del orificio del horno de gas LP que indica "48"

- Instale la espita de gas natural con el número "48".
IMPORTANTE: No apriete demasiado.
- Coloque la espita del quemador del horno de gas LP en la bolsa de piezas junto con los tornillos del quemador de la superficie de cocción de gas natural para usarlos en el futuro y guárdela en la bolsa con material impreso.
- Vuelva a instalar el quemador del horno.
- Vuelva a instalar las parrillas del horno, la bandeja del horno y el esparcidor de llama.

Conversión de tornillos de desvío y piloto

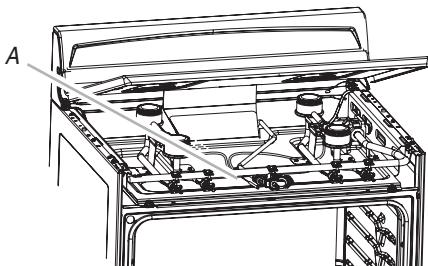
- Saque las perillas de control y póngalas a un lado.
- Saque las parrillas superiores.
- Levante la superficie de cocción sosteniéndola por las esquinas frontales hasta que las barras laterales de soporte encajen en su posición.
- Abra la puerta del horno.

- Ubique los dos ajustadores superiores y los dos inferiores y sáquelos usando un destornillador de cabeza Phillips.



A. Ajustadores superiores
B. Ajustadores inferiores

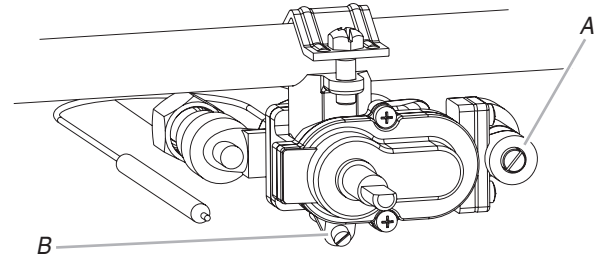
- Coloque el panel frontal a un lado y ubique el termostato del horno.



A. Termostato del horno

- Ubique el tornillo de desvío de gas natural en la bolsa que contiene el manual incluido en la estufa. Hay un tornillo de desvío de gas LP estampado con "76".
- Quite el tornillo de desvío de gas LP con un destornillador de hoja plana, girándolo en el sentido contrario a las manecillas del reloj.

- Instale el tornillo de desvío de gas natural con un destornillador de hoja plana, girándolo en el sentido de las manecillas del reloj.



A. Tornillo piloto
B. Tornillo de desvío

- Ubique el tornillo piloto de gas natural en la bolsa que contiene el material impreso incluido en la estufa. Hay un tornillo piloto de gas natural estampado con "94".
- Quite el tornillo piloto de gas LP con un destornillador de hoja plana, girándolo en el sentido contrario a las manecillas del reloj.
- Instale el tornillo piloto de gas natural con un destornillador de hoja plana, girándolo en el sentido de las manecillas del reloj.
- Vuelva a colocar el panel frontal y atornille los ajustadores superiores e inferiores en su lugar.
- Vuelva a colocar las perillas de control. Empuje nuevamente las barras laterales de soporte y baje lentamente la superficie de cocción hasta que encaje en su posición. Cierre la puerta del horno.

Complete la conversión

- Vea la sección "Conexión del suministro de gas" para conectar la estufa debidamente al suministro de gas.
- Gire la válvula de cierre manual en la línea de suministro de gas a la posición abierta.
- Vea la sección "Verifique el funcionamiento" para los ajustes apropiados de encendido, funcionamiento y llama del quemador.

IMPORTANTE: Tal vez tenga que modificar el ajuste "LO" (Bajo) para cada quemador de la superficie de cocción.

Es muy importante verificar la llama adecuada del quemador de la superficie de cocción y del horno. El cono interior pequeño deberá tener una llama azul bien nítida de ¼" a ½" (0,64 cm a 1,3 cm) de largo. El cono exterior no es tan distinto al cono interior. Las llamas del gas natural no tienen puntas amarillas.
- Cierre la puerta del asador y gire la perilla a "OFF" (Apagado).
- Consulte la sección "Complete la instalación" para terminar este procedimiento.