



Water Filtration System

Safety Information2

Operating Instructions3-4

Specification Guidelines3

Using the System4

Installation Instructions5-11

Battery Pack Installation8

Faucet Installation7, 8

Feed Water Supply6

Filter Cartridge Installation or
Flush Procedure10-11

Important Recommendations5

Replacement10-11

Step-by-Step Instructions7-9

Tools/Materials Required5

Tubing Connections9

Wall Mounting9

Troubleshooting Tips

Before You Call For Service12

Customer Service

Parts List/Catalog13-14

Service Telephone
Numbers16

Warranty16

**Owner's Manual and
Installation Instructions**

GNSV25CBL
 GNSV30CWW
 GNSV30CCC
 GNSL05CBL
 GN1S15CBL



GNSL05CBL and GN1S15CBL are Tested and Certified by NSF International against ANSI/NSF Standard 42 for the reduction of Particulate Class I, Chlorine Class I, and Taste/Odor and Standard 53 for the reduction of Lead, Cyst, Turbidity, Asbestos, and Lindane.

GNSV25CBL, GNSV30CWW and GNSV30CCC are Tested and Certified by NSF International against ANSI/NSF Standard 42 for the reduction of Particulate Class I, Chlorine Class I, and Taste/Odor and Standard 53 for the reduction of Lead, Cyst, Turbidity, Asbestos, and VOC.



IMPORTANT!

Fill out and return the Consumer Product Registration Card that is packed with this product.

Write the model and serial numbers here:

You can find them on the sump bracket.

Staple sales slip or cancelled check here.

Proof of the original purchase date is needed to obtain service under the warranty.

IF YOU NEED SERVICE

Inside you will find many helpful hints on how to use and maintain your water system properly. You'll find many answers to common problems in the *Before You Call For Service* section. If you review our chart of *Troubleshooting Tips* first, you may not need to call for service at all.

If you do need service, you can relax knowing help is only a phone call away. A list of toll-free customer service numbers is included in the back section.

OR

Visit our Website at www.geappliances.com

IMPORTANT SAFETY INFORMATION. READ ALL INSTRUCTIONS BEFORE USING.

▲ WARNING! *For your safety, the information in this manual must be followed to minimize the risk of property damage or personal injury.*

SAFETY PRECAUTIONS

- Check with your local public works department for plumbing codes. You must follow these guidelines as you install the Water Filtration system.
- Use the Water Filtration system on a potable, safe-to-drink, home **COLD** water supply only. The filter cartridges will not purify the water, or make it safe to drink.
- **Do not** use on a hot water supply (100°F. max.).

▲ WARNING: Do not use with water that is microbiologically unsafe or of unknown quality without adequate disinfection before or after the system. Systems certified for cyst reduction may be used on disinfected water that may contain filterable cysts.

PROPER INSTALLATION

This Water Filtration system must be properly installed and located in accordance with the Installation Instructions before it is used.

- Install or store where it will not be exposed to temperatures below freezing or exposed to any type of weather. Water freezing in the system will damage it. Do not attempt to treat water over 100°F.

- Your Water Filtration system will withstand up to 125 pounds per square inch (psi) water pressure. If your house water supply pressure is higher than 100 psi, install a pressure reducing valve before installing the Water Filtration system.

▲ WARNING: Discard all unused and packaging material after installation. Small parts remaining after installation could be a choke hazard.

READ AND FOLLOW THIS SAFETY INFORMATION CAREFULLY.

SAVE THESE INSTRUCTIONS

Specification guidelines.

Many bad tastes and/or odors are removed from water using activated carbon filter cartridges. They are most often used to remove a chlorine taste and odor. They can also reduce other undesirable elements from drinking water supplies, such as organic chemical contaminants and lead.

NOTE: Small amounts of hydrogen sulfide (noticeable as “rotten egg” odor) may be reduced by taste and odor filters for a short time, but the carbon media is quickly exhausted. Other water conditioning equipment is usually required for the continuous treatment of hydrogen sulfide.

The Water Filtration system uses two filter cartridges.

For Model GN1S15CBL

FXULC Filter
(1250-Gallon Capacity)

Filter – White with yellow end caps

- Reduces dirt, rust and sediment
- Reduces unpleasant tastes and odors
- Reduces Chlorine
- Reduces Lead
- Reduces Asbestos
- Reduces filterable cysts (such as cryptosporidium and giardia)
- Reduces Lindane (a pesticide)
- 0.5 micron nominal particulate reduction

For Model GNSL05CBL

FXSLC Filter Set
(1250-Gallon Capacity)

Filter I – White with no end caps

- Filter II** – White with yellow end caps
- Reduces dirt, rust and sediment
 - Reduces unpleasant tastes and odors
 - Reduces Chlorine
 - Reduces Lead
 - Reduces Asbestos
 - Reduces filterable cysts (such as cryptosporidium and giardia)
 - Reduces Lindane (a pesticide)
 - 0.5 micron nominal particulate reduction

For Models GNSV25CBL, GNSV30CWW and GNSV30CCC

FXSVC Filter Set
(540-Gallon Capacity)

Filter I – White with gray end caps

- Filter II** – White with green end caps
- Reduces dirt, rust and sediment
 - Reduces unpleasant tastes and odors
 - Reduces Chlorine
 - Reduces Lead
 - Reduces Asbestos
 - Reduces filterable cysts (such as cryptosporidium and giardia)
 - Reduces Volatile Organic Chemicals (VOC's)
 - 1-micron absolute particulate reduction

Minimum - Maximum Supply Water Pressure—40–125 pounds per square inch (psi)

Minimum - Maximum Supply Water Temperature—40–100°F.

Inlet - Outlet—3/8" NPT, fittings and tubing included

Rated Service Flow—0.6 gpm (GNSL05CBL and GN1S15CBL)

0.5 gpm (GNSV25CBL, GNSV30CWW, and GNSV30CCC)

Depending on the treatment needed for a specific water supply, the water filtration system can be customized using any combination of the preceding filter cartridge sets.

About the water filtration system.

Using the Water Filtration System and About the Filter Cartridge

The countertop faucet dispenses filtered drinking water when opened. It has a hand-operated, spring-loaded closed lever to prevent waste. You can keep the faucet open by pushing upward on the lever to lock it against the faucet spout.

Filter Cartridge Life—Several variables determine how long the cartridges will last in your Water Filtration system. These include:

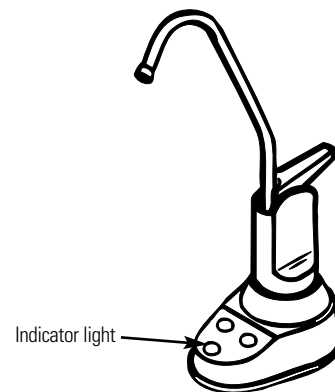
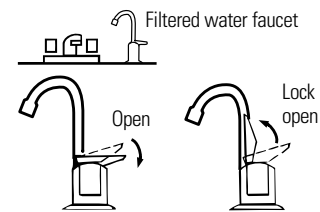
- 1 How much water you use.
- 2 How much sediment, taste and/or odor, lead, or other unwanted substance, is in the water.

No matter which Water Filtration system you have, you should replace the cartridges every six months, when indicated by the electronic indicator light on the base. In extremely poor water supplies, you may notice the return of the unwanted substance in your water before the six months are up. In this case the cartridges should be replaced immediately. If the system is also for lead or chemical contaminant removal, it is **MORE IMPORTANT** to replace the cartridges at least every six months.

NOTE: If the water supply contains high amounts of sediments, the carbon filters may plug prematurely, reducing filtered water flow to the system faucet. *Cartridge replacement is needed to restore flow.*

Electronic Indicator Light (not available on all models)—The electronic indicator light on the base of the faucet is a six month timer that shows you when to replace the filter cartridges. When the battery pack is first installed, the indicator light will light briefly to show that the electronics are operating. If this does not happen, the batteries may be installed backwards or the leadwires are not connected.

After about six months, the indicator light begins to flash. It is time to replace the filter cartridges. When replacing the filter cartridges, also replace the batteries in the battery pack. Two “AA” batteries are required.



Installation Instructions.

Important Installation Recommendations

Read entire manual. Failure to follow all guides and rules could cause personal injury or property damage.

- **Check with your local public works department for plumbing codes. You must follow their guides as you install the Water Filtration system.**
- **Use the Water Filtration system on a potable, safe-to-drink, home COLD water supply only. The filter cartridges will not purify water or make unsafe water safe to drink. DO NOT use on HOT water (100° F. max.).**
- **Protect the Water Filtration system and piping from freezing. Water freezing in the system will damage it.**
- **Your Water Filtration system will withstand up to 125 psi water pressure. If your house water supply pressure is higher than 100 psi during the day (it may reach higher levels at night), install a pressure reducing valve before the system.**

⚠ WARNING: Do not use with water that is microbiologically unsafe or of unknown quality without adequate disinfection before or after the system. These systems are certified for cyst reduction and may be used on disinfected water that may contain filterable cysts. The water should be tested periodically to verify that the system is performing satisfactorily. Small parts remaining after the installation could be a choke hazard. Discard safely.

Tools and Materials Required for Installation

- Slotted and Phillips screwdrivers
 - Pliers and adjustable jaw wrench
 - Hand or battery powered drill and 1/4" bit (saddle valve installation)
 - Electric drill and drill bit to drill 1"-1 1/4" hole (type as required) if mounting hole is needed for faucet
- ⚠ CAUTION:** To avoid damaging the sink, consult a qualified plumber or installer for drilling procedures. Special drill bits may be needed for porcelain or stainless steel.

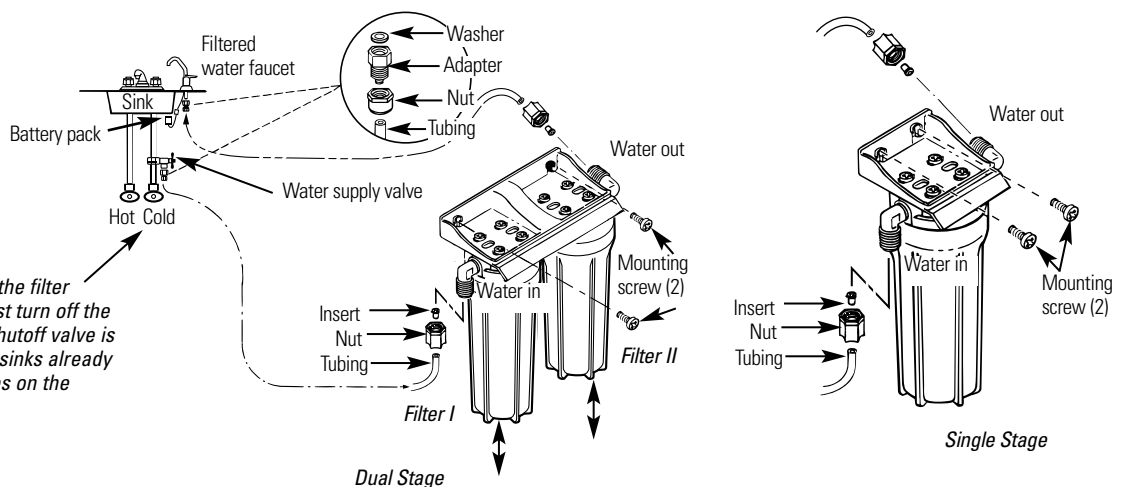
Contents included with the product:

- Water filter assembly, including mounting bracket and screws
- Product Literature (Owner's Manual and Installation, Product Data Sheet, Owner Product Registration Card)
- Water supply/saddle valve
- Filtered water faucet, for sink or countertop mounting
- Electronic indicator faucet base and battery pack (not available on all models)
- 3/8" tubing and fittings to make all needed connections
- Sump wrench

Installation Overview

Locate the drinking water system on the cold water supply pipe, under the kitchen and/or bathroom sink, to filter the cold drinking water.

Shutoff valve
NOTE: To change the filter cartridge, you must turn off the water. A nearby shutoff valve is convenient. Most sinks already have shutoff valves on the supply pipes.



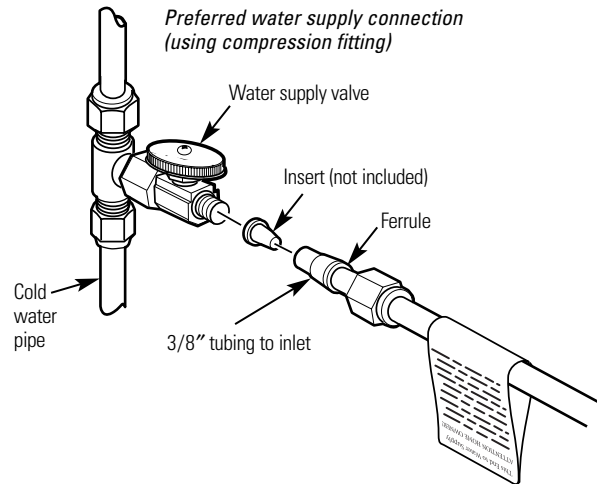
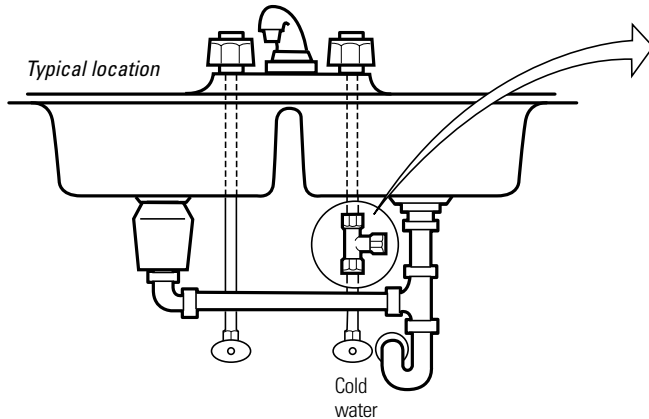
Installation Instructions.

Feed Water Supply

Check and comply with local plumbing codes as you plan, then install a cold feed water supply fitting. For new home installation using standard plumbing fittings, see first two illustrations below. A typical installation for existing homes using the saddle valve is shown in third illustration below.

A. PREFERRED INSTALLATION

- 1 Turn off the cold water supply.
- 2 Complying with plumbing codes, install a fitting on the cold water pipe to adapt 3/8" OD tubing. A typical connection is shown in illustrations at right (parts not included). Make sure a water supply valve is used.



B. OPTIONAL HOME INSTALLATION Where codes permit

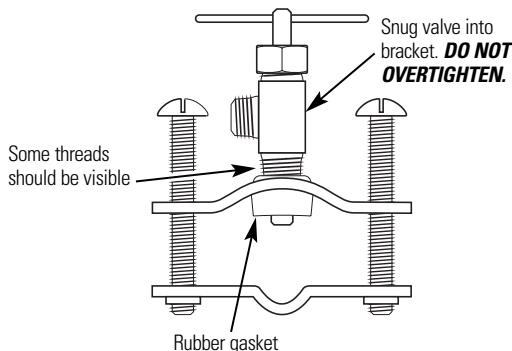
***For 1/2" OD or larger metal tubing only.**

NOTE: Codes in the state of Massachusetts require installation by a licensed plumber and do not permit the use of the saddle valve. For installation, use plumbing code 248-CMR of the Commonwealth of Massachusetts.

- 1 Turn off the cold water supply and attach saddle valve as shown in illustration at right.

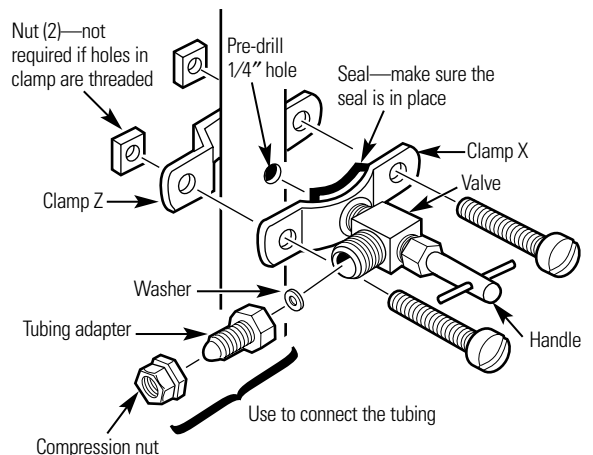
⚠ DANGER: To protect yourself from serious injury or fatal shock, use a battery powered hand drill only to make the hole. DO NOT USE AN ELECTRIC DRILL.

- 2 Close the water supply valve by turning the handle clockwise.
- 3 Open the main water supply valve and several house faucets to purge air from the system. Close faucets when water runs smoothly.



*Optional water supply connection (using saddle valve)**

***For 1/2" OD or larger metal tubing only.**



Step-by-step installation instructions.

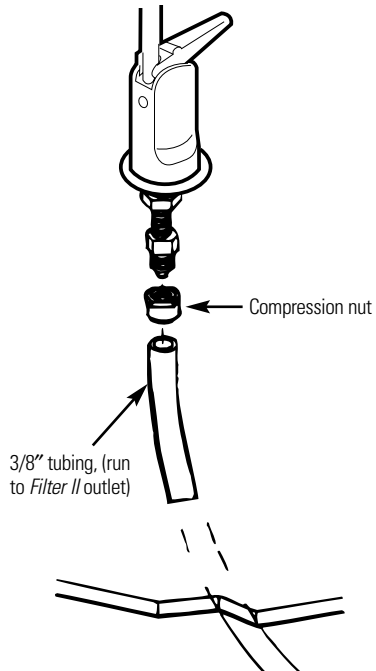
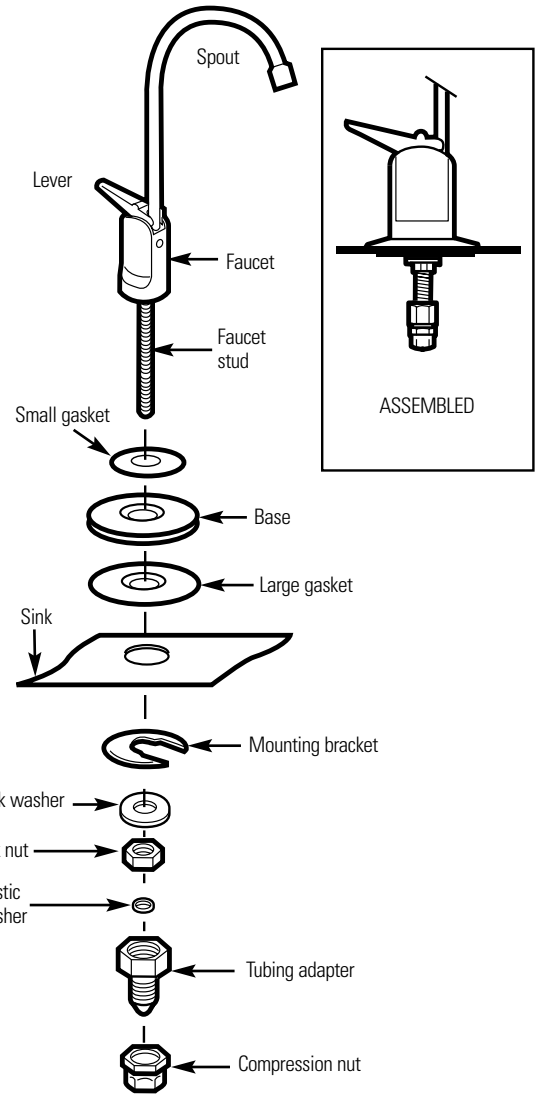
Faucet Installation for Model GN1S15CBL only

Be sure there is room underneath the sink to make the needed connections. Select one of the following places to install the faucet:

- IN an existing sink spray attachment or soap dispenser hole.
- IN a hole to be drilled in the sink top.
- IN a hole to be drilled in the countertop, next to the sink.

NOTE: Looking at second illustration at right, be sure the faucet base will fit flat against the surface at the selected location so the gasket will seal.

- 1 If drilling is needed, make a 3/4" to 1" dia. hole. **Be sure to use the proper procedure for drilling porcelain or stainless steel. Special drill bits may be needed.**
- 2 Place small gasket, base and large gasket (in that order) onto the faucet stem. Next, place lock washer and hex nut onto faucet stud.
- 3 Insert washer into tubing adapter. Securely tighten to faucet stud.
- 4 Feed the length of 3/8" OD tube from the bottom, up through the mounting hole. Connect to the tubing adapter as shown in second illustration, tightening the compression nut securely.
- 5 Remove the short shipping tube and insert the spout into the faucet body. Rotate spout into place.
- 6 Lower the faucet assembly into place on the underside of the mounting hole. Place the mounting bracket above the lock washer. While holding the mounting bracket in place, securely tighten the hex nut.



Step-by-step installation instructions.

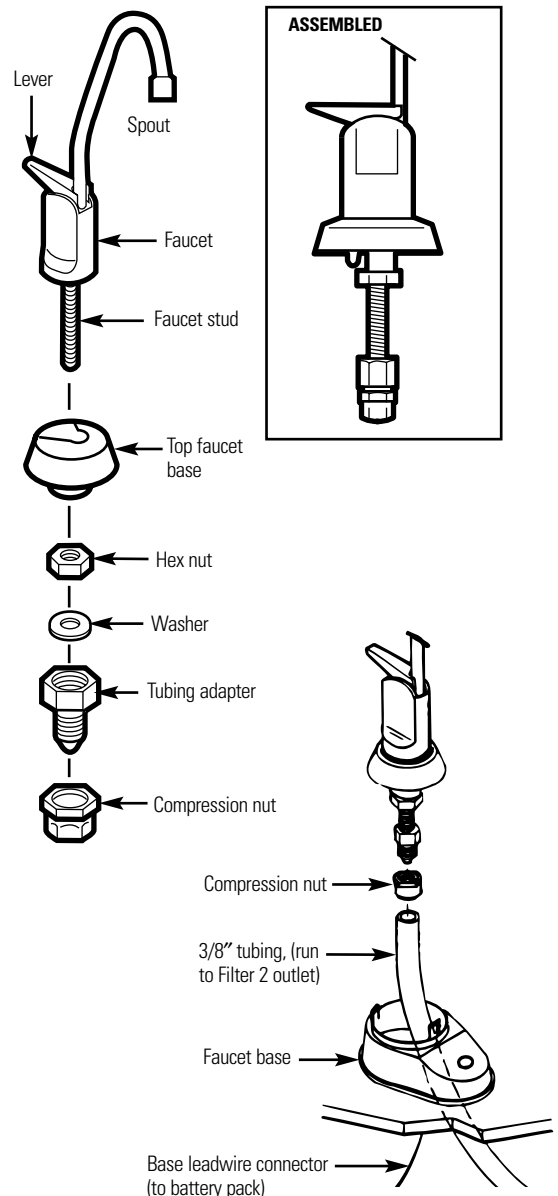
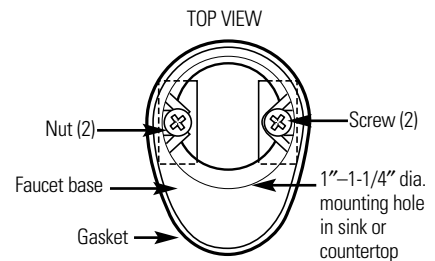
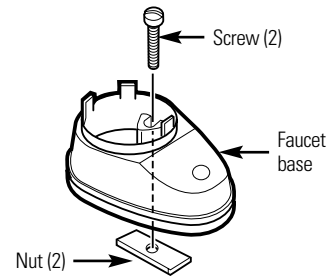
Electronic Faucet Installation (not available on all models)

Be sure there is room underneath the sink to make the needed connections. Select one of the following places to install the faucet:

- IN an existing sink spray attachment or soap dispenser hole.
- IN a hole to be drilled in the sink top.
- IN a hole to be drilled in the countertop, next to the sink.

NOTE: Looking at fourth illustration at right, be sure the faucet base will fit flat against the surface at the selected location so the gasket will seal. The base may have to be angled sideways or diagonally.

- 1 If drilling is needed, make a 1"-1-1/4" dia. hole. **Be sure to use the proper procedure for drilling porcelain or stainless steel. Special drill bits may be needed.**
- 2 Looking at first illustration, insert a screw into the NON-SLOTTED base mounting hole. Turn a flat nut a few turns onto the screw.
- 3 Position the base gasket over the mounting hole. Set the base on the gasket, routing the leadwire through the mounting hole. Holding the flat nut under the sink with one finger, tighten the screw until just snug.
- 4 Turn the remaining flat nut a few turns onto the other screw. Position the screw in the slotted base mounting hole and tighten until snug. Make sure the gasket position is properly aligned and **carefully tighten** both screws until the base is held firmly in place. **Do not overtighten** and break the base.
- 5 Assemble the top faucet base and hex nut onto the faucet stud (third illustration). Tighten the nut until snug.
- 6 Insert washer into tubing adapter. Securely tighten to faucet stud.
- 7 Feed the length of 3/8" OD tubing from the bottom, up through the faucet base. Connect to the tubing adapter as shown in fourth illustration, tightening the compression nut securely.
- 8 Remove the short shipping tube and screw the spout into the faucet body.
- 9 Lower the faucet assembly and lock into place on the faucet base.

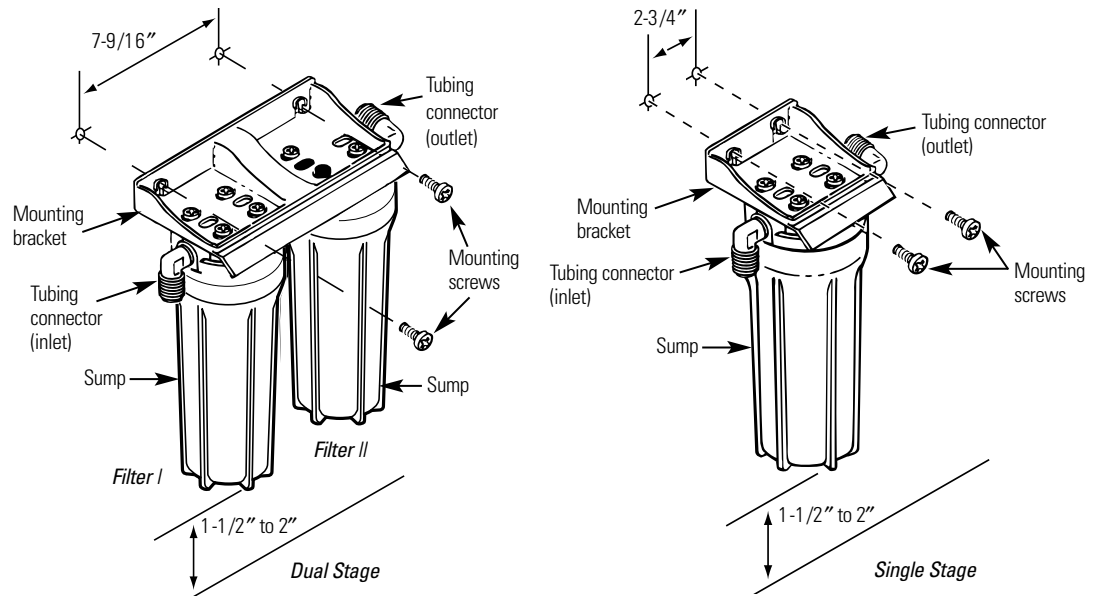


Battery Pack Installation and Connection

- 1 In a dry location, within reach of the electronic base 3' leadwire, select a place for the battery pack (see illustration on page 5). The battery pack attaches to most surfaces, using the included "sticky-back" Velcro™ strip.
- 2 The battery pack uses two size "AA" batteries. Check to be sure they are installed correctly. Then, remove the paper backing on the Velcro™ strip and secure the pack in place.
- 3 Fasten electronic base leadwire and battery pack connector together.

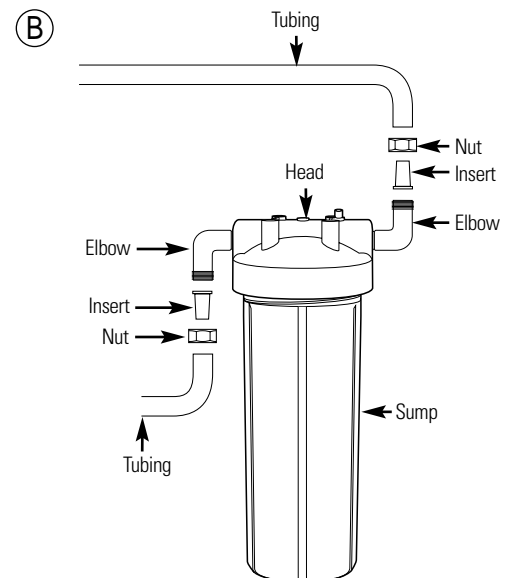
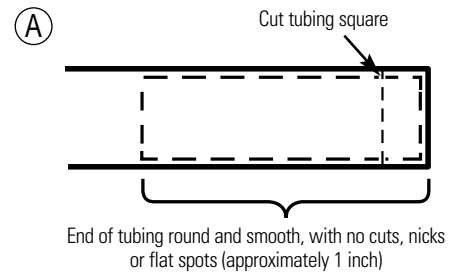
Mounting Bracket to Cabinet Wall

The bracket can be used as a template for marking the location of the mounting screws. When determining the location of the bracket make sure you leave 1-1/2" to 2" of free area under the sumps to allow for sump removal and enough space on either side to make the tubing connections.



Tubing Connections—Compression Style

- 1 Run the length of the 3/8" tubing, connected to the bottom of the faucet, to the filter system outlet (illustration above). Allow enough slack in the tubing so that the unit can be easily removed.
- 2 Measure and cut the end of the tubing square using a sharp cutter or knife. Remove any burrs (illustration A).
- 3 Inspect the end of the tubing, about 1 inch, to be sure there are no imperfections. It may be necessary to cut the tubing again.
- 4 Slide plastic nut over the 3/8" tubing.
- 5 Then slide plastic insert into 3/8" tubing.
- 6 **Insert the plastic tubing all the way to the bottom of the elbow. Tubing must be fully inserted to avoid leaks.**
- 7 Slide nut up to the elbow and thread on by hand until tight.
- 8 Repeat the procedure to connect the tubing between the filter system inlet and the water supply/saddle valve (illustration in the *Installation Overview* section).
- 9 **IMPORTANT:** Be sure to check for leaks at all connections. Tighten as needed.
- 10 **IMPORTANT:** 24 hours after installation, check for any slow leaks that may occur. Tighten connections as needed.
- 11 **IMPORTANT:** If unit is not going to be put into use immediately, turn off the water supply valve.



NOTE: Avoid installing the unit where the tubing is pulled at a sharp angle. This type of installation may cause the fittings to leak. If using tubing other than what is supplied, be sure it is high quality, exact size and roundness, and has a smooth surface.

About the water filtration system.

Filter Cartridge Installation or Replacement

⚠ CAUTION: Never remove the sumps when water pressure is in the Water Filtration system.

- 1 **Close the water supply/saddle valve to the filter.** (See illustration in the *Installation Overview* section for location of the water supply valve.) Open the filtered water faucet.
- 2 Remove the sump, using the sump wrench tool provided, from the filter head by rotating the sump as shown in the below illustration. Be careful, the sump may be full of water. Be sure to keep the large o-ring seal.
- 3 If you are replacing a filter cartridge, remove and discard the used filter cartridge.
- 4 Be sure the inside of the sump is clean. Thoroughly wash the inside of the sump with hot, soapy water and rinse.
- 5 Remove the wrapper from the new filter cartridge and insert the filter cartridge in the sump. Some cartridges fit either way, while others fit only one way. Observe markings on the cartridge.

NOTE: The Water Filtration system may use two different types of filter cartridges. Be sure to install them correctly. *Filter I* cartridge should always be placed in the *Filter I* sump. *Filter II* cartridge should always be placed in the *Filter II* sump. See page 3 for a complete list of filter performance characteristics.

For Model GN1S15CBL

FXULC Filter
(1250-Gallon Capacity)

Filter – White with yellow end caps

For Model GNSL05CBL

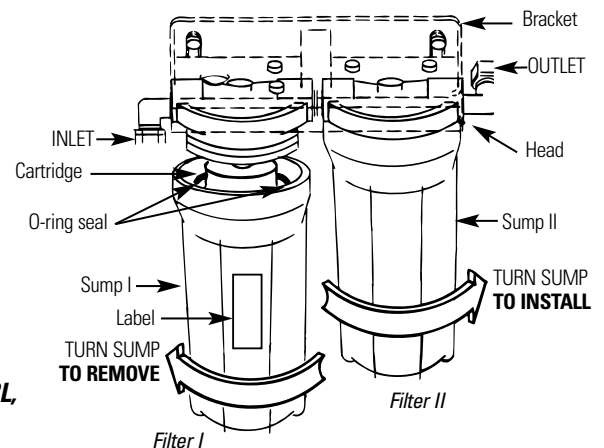
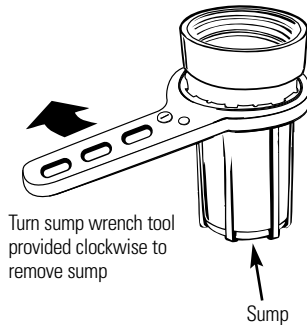
FXSLC Filter Set
(1250-Gallon Capacity)

Filter I – White with no end caps
Filter II – White with yellow end caps

For Models GNSV25CBL, GNSV30CWW, & GNSV30CCC

FXSVC Filter Set
(540-Gallon Capacity)

Filter I – White with gray end caps
Filter II – White with green end caps



- 6 Lightly lubricate the o-ring seal in the sump with clean food grade silicone grease (silicone grease is available through GE Parts and Services: 1-800-626-2002, Part Number: WS60X10005). Be sure it is fully seated in its groove.
- 7 Hold the sump up to the filter head, aligning the center hole in the cartridge with the protrusion on the bottom of the head. Failure to obtain proper alignment may cause damage to the filter and/or filtration system, which will degrade filter performance.
- 8 Being careful not to cross-thread, rotate the sump onto the filter head and tighten securely by hand.

NOTE: If the sump will not tighten up to the head or if you feel resistance, you may have the cartridge in upside down or misaligned. Take the cartridge out and check for correct orientation or alignment and reassemble.

- 9 Repeat steps 2 through 8 for the *Filter II* cartridge in the *Filter II* sump, if necessary.

-
- 70 Turn on the filtered water faucet. Then, slowly open the water supply/saddle valve and allow the filter housing to fill.
 - 71 Close the filtered water faucet. Then, check for leaks between the sump and the head.

NOTE: If leaking, turn off the water supply and turn on the filtered water faucet. Disassemble the filter housing and check the o-ring for cuts, flat spots, etc., and sealing surfaces for foreign material. Clean the o-ring and lightly lubricate with clean silicone grease. Carefully press into the groove in the sump. Reassemble and check for leaks.

- 72 If you are replacing the batteries, remove, properly discard and install two new “AA” alkaline batteries in the battery pack. Removing the batteries or momentarily disconnecting the leadwires resets the six-month electronic timer. It is recommended that you change your batteries at least once a year.
- 73 The filter cartridges contain activated carbon. When new, turn on the filtered water faucet for ten minutes to flush the system.
- 74 If your system does not have an electronic monitor, place filter change label on sump, inside cabinet door, or in another convenient location. Write in date of filter change for future reference. Filters should be changed every six months.

Flush Procedure

Whenever water of unknown quality is passed through the GE Water Filtration system, filter elements should be discarded and the filtration system flushed.

Circumstances that may require flushing the system are:

- Boil-water advisory.
- Flooding of the GE Water Filtration system.
- Long-term non-use.

The procedure for flushing the GE Water Filtration system is:

- 1 See *Filter Cartridge Replacement* section and follow steps 1, 2, 3, and 4.
- 2 Next, reinstall the sumps (without the filter elements), turn water on, and flush water through the faucet for one minute.
- 3 Then, turn water off, remove sumps, empty water out of sumps and install new filter elements.
- 4 Follow steps 5–11 in the *Filter Cartridge Replacement* section to complete.

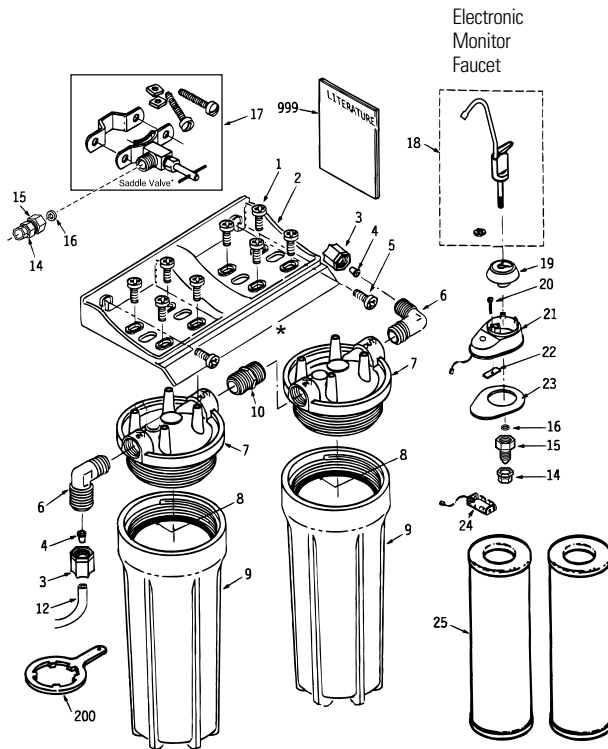
Before you call for service...



Troubleshooting Tips
Save time and money! Review the chart below first and you may not need to call for service.

Problem	Possible Causes	What To Do
Water contains tiny black particles	New filter cartridges contain activated carbon, which is a harmless black powder.	<ul style="list-style-type: none"> • Turn on the filtered water faucet and allow these harmless carbon particles to purge from the cartridge. Turn off the faucet when the water is clear.
Water has air bubbles and is cloudy	Air in system after installation.	<ul style="list-style-type: none"> • Will go away after water runs for a while.
Indicator light on the faucet base is flashing (not available on all models)	Six months usage has occurred. This is the maximum life of the filter cartridges.	<ul style="list-style-type: none"> • Replace both filter cartridges and batteries in the battery pack.
Indicator light on the faucet base is not working (not available on all models)	The faucet base leadwire is not connected to the battery pack leadwire.	<ul style="list-style-type: none"> • Connect.
	Batteries may need to be replaced or they may have been installed incorrectly.	<ul style="list-style-type: none"> • Observe orientation markings on the holder and install correctly. Replace batteries if they are old.
	Leadwires damaged.	<ul style="list-style-type: none"> • Inspect and repair as needed.
Chlorine taste and /or odor in the product water	The filter cartridges are no longer removing chlorine from the water supply.	<ul style="list-style-type: none"> • Replace both filter cartridges.
Water dispenses very slowly	Filter may have an integral flow restrictor.	<ul style="list-style-type: none"> • A slower flow (approx. 0.6 g/min.) is normal with this style of filter. If flow rate is unacceptable replace the filters with ones that do not have integral flow restrictors (Filter Number FXUTC).
	The filters have been installed for too long.	<ul style="list-style-type: none"> • A six-month change-out period is recommended. Replace both filter cartridges.
	The filter cartridges have become clogged.	<ul style="list-style-type: none"> • High sediment levels can cause premature clogging. Replace both filter cartridges.
Fittings are leaking	Tubing may not be installed properly.	<ul style="list-style-type: none"> • Fully follow the installation instructions (page 9) and be sure the tubing is installed to the proper depth.

Parts List.

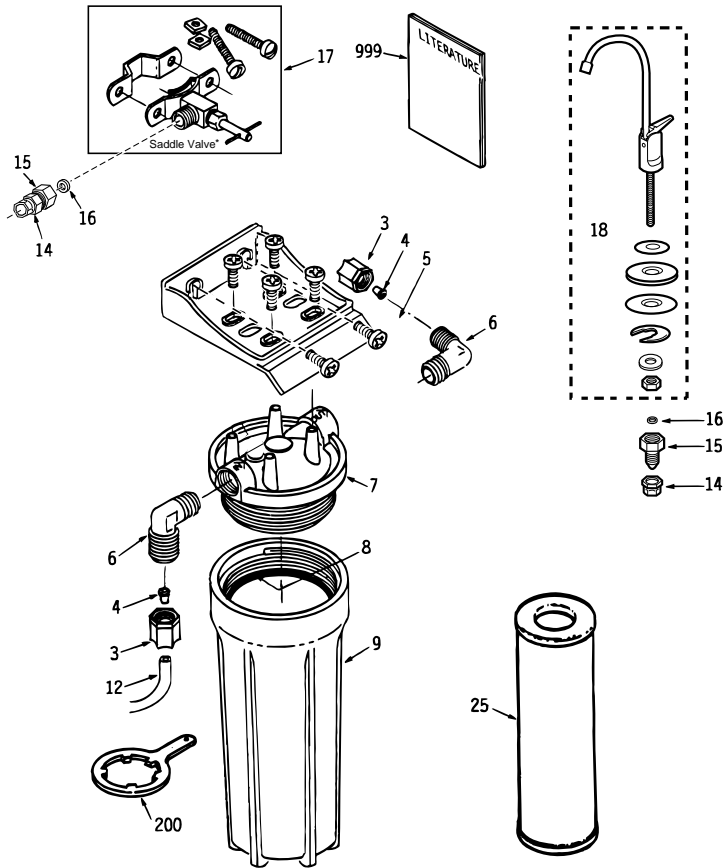


***NOTE: Codes in the state of Massachusetts require installation by a licensed plumber and do not permit the use of the saddle valve. For installation, use plumbing code 248-CMR of the Commonwealth of Massachusetts.**

General Electric parts catalog.

REF. NO.	PART NO.	PART DESCRIPTION	G	G	G	G
0001	WS02X10001	SCREW #10-14 X 3/4"	N	N	N	N
0002	WS28X10010	MOUNTING BRACKET	S	S	S	S
0003	WS22X10008	NUT 3/8" TUBE	L	V	V	V
0004	WS22X10007	INSERT 3/8" TUBE	0	2	3	3
0005	WS02X10003	SCREW #10-14 X 1-1/4"	5	5	0	0
0006	WS22X10002	ELBOW 3/8" NPT X 3/8" (compression)	C	C	C	C
0007	WS19X10011	HEAD	B	B	W	C
0008	WS03X10001	O-RING 3-3/8" X 3-5/8"	L	L	W	C
0009	WS30X10002	SUMP	8	8	8	8
0010	WS22X10003	NIPPLE 3/8" NPT X 1-1/2"	1	1	1	1
0012	WS07X10008	TUBING 3/8" X 20 FT-WH	1	1	1	1
0014	WS02X10004	NUT 3/8"	2	2	2	2
0015	WS03X10003	ADAPTER TUBING	2	2	2	2
0016	WS03X10002	WASHER	2	2	2	2
0017	WS15X10008	SADDLE VALVE /SUPPLY	1	1	1	1
0018	WS15X10002	FAUCET ASM. (monitored) (BLACK ON CHROME)	1	1	1	1
	WS10X10020	FAUCET ASM. (monitored) (WHITE ON WHITE)	-	-	1	-
	WC10X10001	FAUCET ASM. (monitored) (BISQUE)	-	-	-	1
0019	WS10X10008	TOP FAUCET BASE (BLACK)	1	1	-	-
	WS10X10010	TOP FAUCET BASE (WHITE)	-	-	1	-
	WC10X10003	TOP FAUCET BASE (BISQUE)	-	-	-	1
0020	WS02X10007	SCREW #6-32 X 1-3/8"	2	2	2	2
0021	WS10X10002	BASE FAUCET KIT (BLACK)	1	1	-	-
	WS10X10021	BASE FAUCET KIT (WHITE)	-	-	1	-
	WC10X10002	BASE FAUCET KIT (BISQUE)	-	-	-	1
0022	WS02X10008	NUT	2	2	2	2
0023	WS08X10003	GASKET FAUCET	1	1	1	1
0024	WS06X10001	HOLDER BATTERY	1	1	1	1
0025	FXSLC	FILTER SET-LEAD/CYST	1	-	-	-
	FXSVC	FILTER SET-VOC	-	1	1	1
0200	WX5X140	WRENCH SUMP	1	1	1	1
0999	49-50057	PM MANUAL USE & CARE/ INSTALLATION	1	1	1	1

Parts List.



***NOTE: Codes in the state of Massachusetts require installation by a licensed plumber and do not permit the use of the saddle valve. For installation, use plumbing code 248-CMR of the Commonwealth of Massachusetts.**

General Electric parts catalog.

REF. NO.	PART NO.	PART DESCRIPTION	
0001	WS02X10001	SCREW #10-14 X 3/4"	4
0002	WS28X10010	MOUNTING BRACKET	1
0003	WS22X10008	NUT 3/8" TUBE	2
0004	WS22X10007	INSERT 3/8" TUBE	2
0005	WS02X10003	SCREW #10-14 X 1-1/4"	2
0006	WS22X10002	ELBOW 3/8" NPT X 3/8" (compression)	2
0007	WS19X10011	HEAD	1
0008	WS03X10001	O-RING 3-3/8" X 3-5/8"	1
0009	WS30X10002	SUMP	1
0012	WS07X10008	TUBING 3/8" X 20 FT-WH	1
0014	WS02X10004	NUT 3/8"	2
0015	WS03X10003	ADAPTER TUBING	2
0016	WS03X10002	WASHER	2
0017	WS15X10008	SADDLE VALVE /SUPPLY	1
0018	WS15X10022	FAUCET ASM. (nonmonitored) (BLACK ON CHROME)	1
0025	FXULC	FILTER-LEAD/CYST	1
0200	WX5X140	WRENCH SUMP	1
0999	49-50057	PM MANUAL USE & CARE/ INSTALLATION	1

G
N
I
S
I
5
C
B
L

Notes

Service Telephone Numbers.



GE Answer Center® 800.626.2000

The GE Answer Center® is open 24 hours a day, 7 days a week.

OR

Visit our Website at www.geappliances.com



In-Home Repair Service 800-GE-CARES (800-432-2737)

Expert GE repair service is only a phone call away.



Special Needs Service 800.626.2000

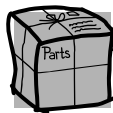
800-TDD-GEAC (800-833-4322)

GE offers, free of charge, a brochure to assist in planning a barrier-free kitchen for persons with limited mobility.



Service Contracts 800-626-2224

Purchase a GE service contract while your warranty is still in effect and you'll receive a substantial discount. GE Consumer Service will still be there after your warranty expires.



Parts and Accessories 800-626-2002

Individuals qualified to service their own appliances can have parts or accessories sent directly to their homes (VISA, MasterCard and Discover cards are accepted).

Instructions contained in this manual cover procedures to be performed by any user. Other servicing generally should be referred to qualified service personnel. Caution must be exercised, since improper servicing may cause unsafe operation.



Service Satisfaction

If you are not satisfied with the service you receive from GE:

First, contact the people who serviced your appliance.

Next, if you are still not pleased, write all the details—including your phone number—to:

Manager, Customer Relations, GE Appliances, Appliance Park, Louisville, KY 40225

GE Water Filtration System Warranty.



All warranty service provided by our SmartWater™ Authorized Servicer Network. For service, call 800-GE-CARES.

For The Period Of: GE Will Replace:

One Year

From the date of the original purchase

Any part of the Water Filtration system (excluding filters) which fails due to a defect in materials or workmanship.

During this **full one-year warranty**, GE will provide, **free of charge**, all labor and in-home service to replace the defective part.

What GE Will Not Cover:

- Service trips to your home to teach you how to use the product.
- Improper installation.
- Failure of the product if it is abused, misused, or used for other than the intended purpose or used commercially.
- Use of this product where water is microbiologically unsafe or of unknown quality, without adequate disinfection before or after the system. Systems certified for cyst reduction may be used on disinfected water that may contain filterable cysts.
- Filter cartridges.
- Replacement of house fuses or resetting of circuit breakers.
- Damage to the product caused by accident, fire, floods or acts of God.
- Incidental or consequential damage to personal property caused by possible defects with this appliance.

This warranty is extended to the original purchaser and any succeeding owner for products purchased for home use within the USA. In Alaska, the warranty excludes the cost of shipping or service calls to your home.

Some states do not allow the exclusion or limitation of incidental or consequential damages. This warranty gives you specific legal rights, and you may also have other rights which vary from state to state. To know what your legal rights are, consult your local or state consumer affairs office or your state's Attorney General.