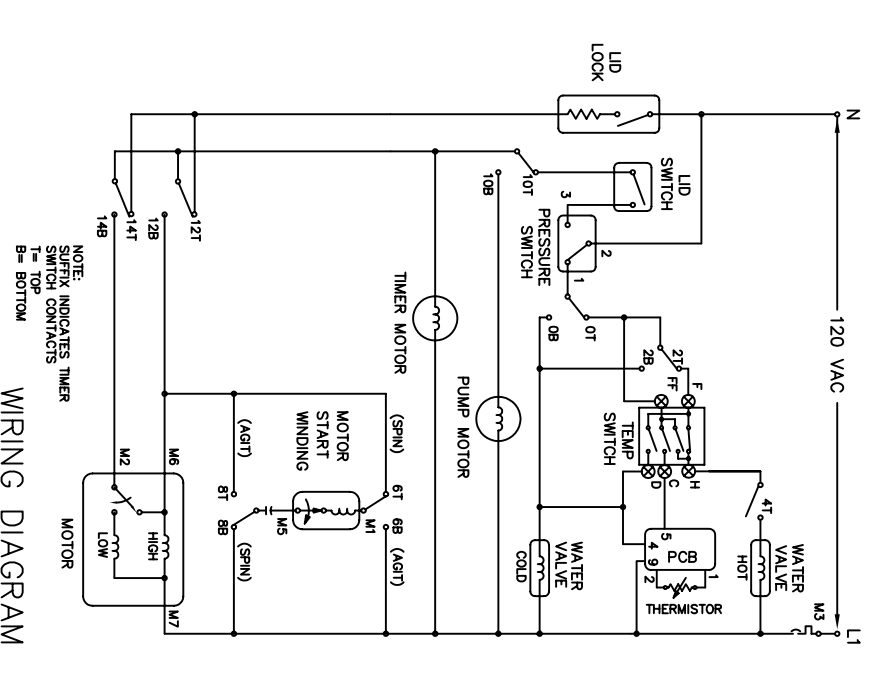
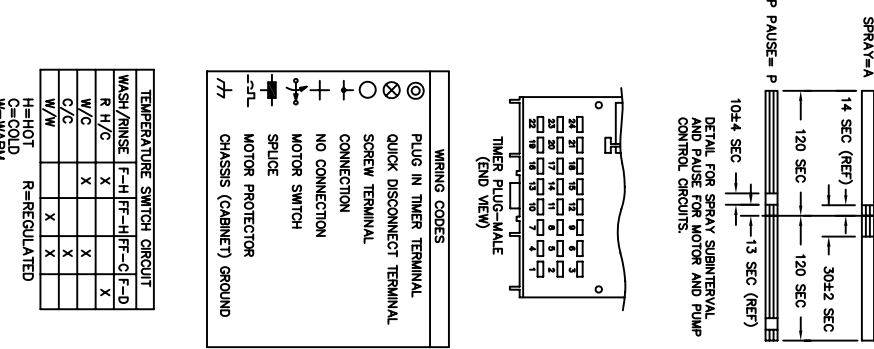
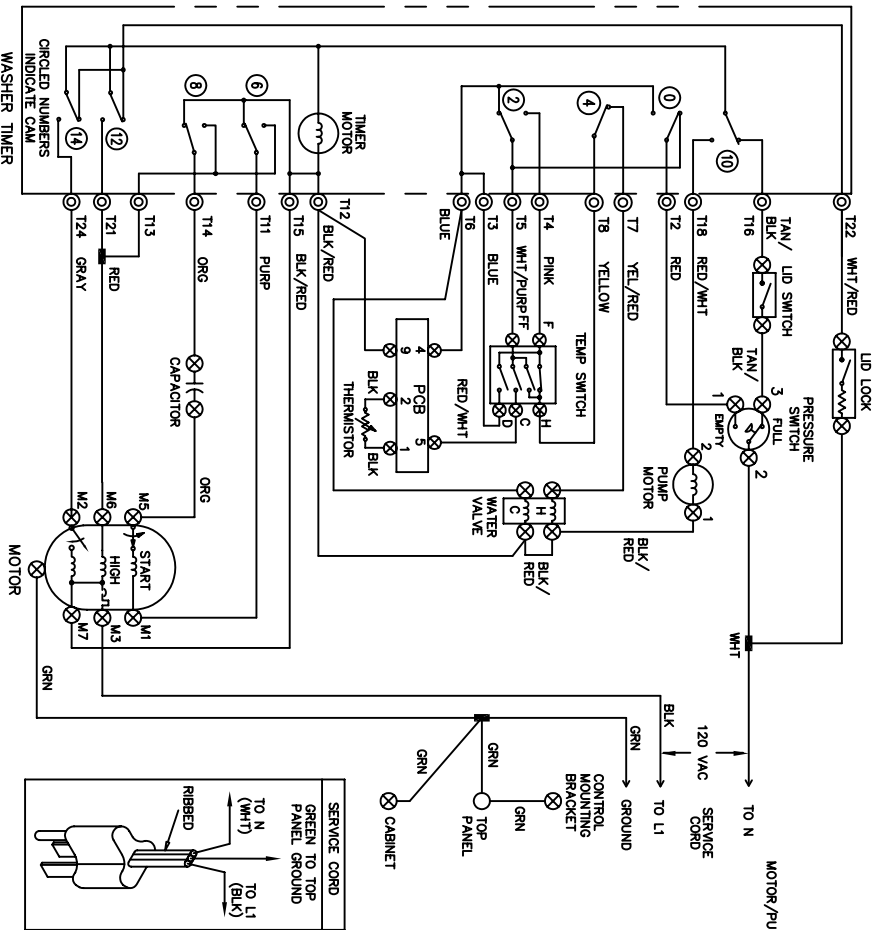


CAUTION: DISCONNECT ELECTRIC CURRENT BEFORE SERVICING

TERM	CIRCUIT	REGULAR CYCLE				PERM. PRESS CYCLE				DELICATE CYCLE				SOAK CYCLE	
		WASH (16 MIN.)	PUMP (12 MIN.)	OFF (12 MIN.)	WASH (12 MIN.)	PUMP (12 MIN.)	OFF (6 MIN.)	WASH (6 MIN.)	PUMP (12 MIN.)	OFF (12 MIN.)	SOAK (12 MIN.)	PUMP	OFF		
0	FILL CONTROL		A												
1	WASH FILL														
2	RINSE FILL														
3	WATER TEMP.														
4	SPIN DIR														
5	AGITATE DIR														
6	SPIN DIR														
7	AGITATE DIR														
8	SPIN DIR														
9	AGITATE DIR														
10	SPIN DIR														
11	AGITATE DIR														
12	SPIN DIR														
13	AGITATE DIR														
14	SPIN DIR														
15	AGITATE DIR														
16	SPIN DIR														
17	AGITATE DIR														
18	SPIN DIR														
19	AGITATE DIR														
20	SPIN DIR														
21	AGITATE DIR														
22	SPIN DIR														
23	AGITATE DIR														
24	SPIN DIR														



WIRING DIAGRAM 134754800 A

TEMPERATURE SWITCH CIRCUIT

WASH/RINSE	F-H	FF-HF	F-D
R H/C	X	X	X
W/C	X	X	X
C/C	X	X	X
W/W	X	X	X

WIRING CODES

- ⊙ PLUG IN TIMER TERMINAL
- ⊗ QUICK DISCONNECT TERMINAL
- ⊕ SCREW TERMINAL CONNECTION
- ⊖ NO CONNECTION
- ⊚ MOTOR SWITCH
- ⊛ SPICE
- ⊜ MOTOR PROTECTOR
- ⊝ CHASSIS (CABINET) GROUND

NOTE: SWITCH INDICATES TIMER SWITCH CONTACTS
 T= TOP
 B= BOTTOM

PRECAUCION: DESCONECTAR LA CORRIENTE ELECTRICA ANTES DE DAR SERVICIO A LA SECADORA.

TERM.	CONTACT	CIRCUITO	REGULAR			PLANCHADO PERMANENTE			DELICADO			REMOJO		
			LAVADO (16 MIN.)	BOMBA ENJAG	BOMBA (12 MIN.)	LAVADO (12 MIN.)	BOMBA ENJAG	BOMBA (6 MIN.)	LAVADO (6 MIN.)	BOMBA ENJAG	WASH	REMOJO (12 MIN.)	BOMBA ENJAG	
0	1	T LLENE CONTROL												
2	3	B PULVERIZACION INTER			A									
2	4	T LLENADO LAVADO												
2	3	B LLENADO ENJAGUE												
4	7	T TEMPERAT DEL AGUA												
4	8	B												
6	11	10 T DIREC DE CENTRIF												
6	11	12 B DIREC DE AGITAC												
8	14	10 T DIREC DE AGITAC												
8	14	12 B DIREC DE CENTRIF												
10	17	16 T DERIV PICA DE TAPA												
10	17	18 B BOMBA												
12	17	22 T DERIV INTER PRESION												
12	17	21 B MOTOR VELOC ALTO												
14	17	22 T DERIV INTER PRESION												
14	17	24 B MOTOR VELOC BAJO												

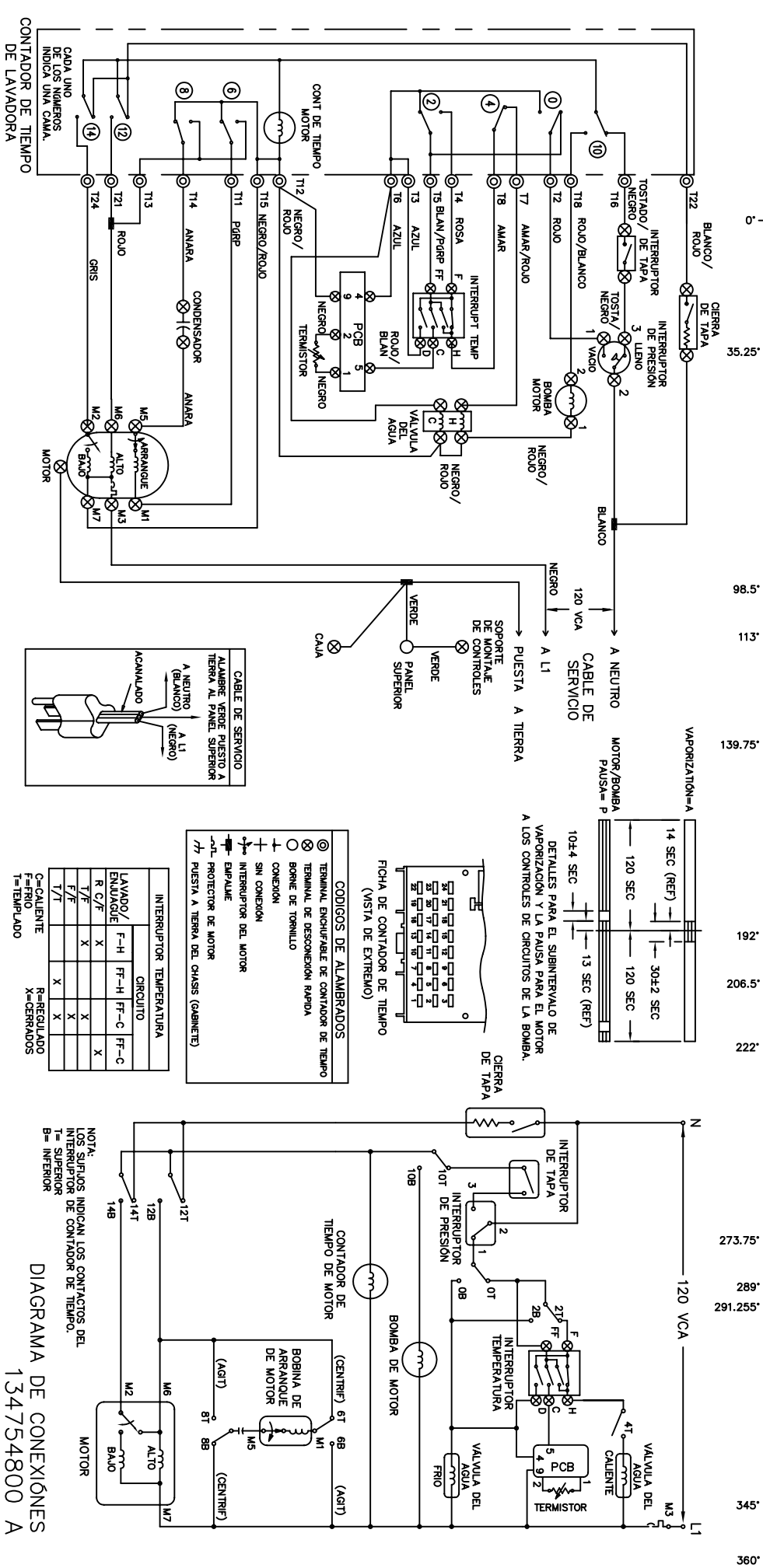


DIAGRAMA DE CONEXIONES
134754800 A