

# KitchenAid® Ice Maker

## PRODUCT MODEL NUMBERS

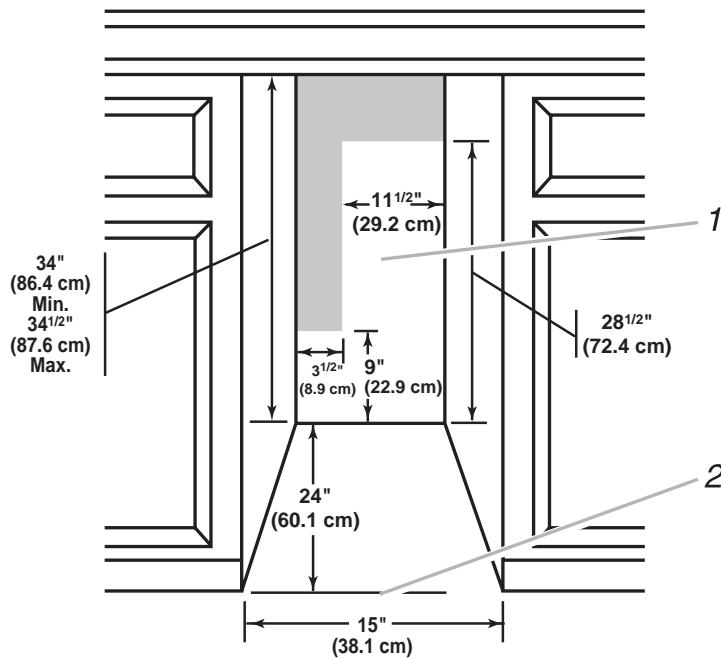
KUIA15NRH      KUIS15NRH  
 KUIA15PLL      KUIS15PRH  
 KUIA15PRL

**Electrical:** 115-volt, 60-Hz, AC-only, 15-ampere grounded circuit is required. A time-delay fuse or circuit breaker and separate circuit is recommended.

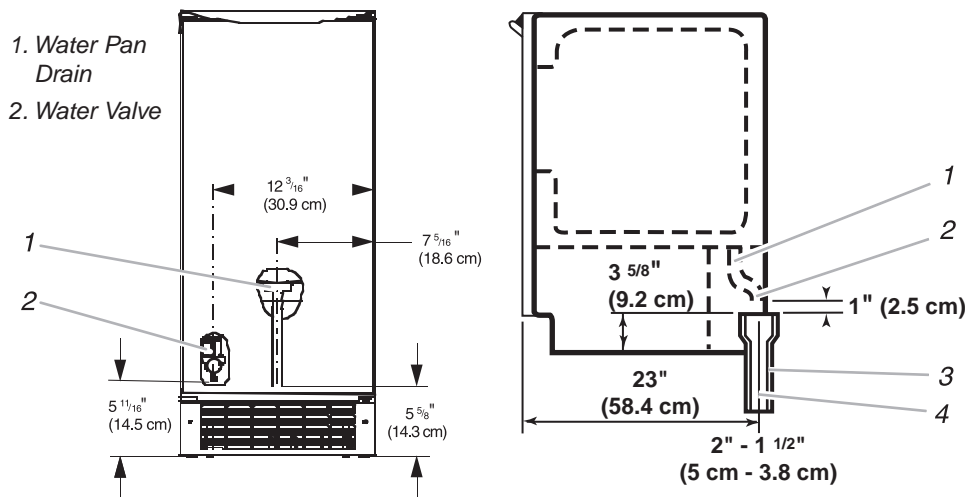
**Water:** A cold water supply using 1/4 in. O.D. soft copper tubing with shutoff valve.

**Drain:** Either a gravity-drain system or condensate pump to carry water to an existing drain.

## CABINET OPENING DIMENSIONS



## DRAIN REQUIREMENTS



Drain lines must have a minimum of 5/8 in. (15.88 mm) inside diameter.

Drain lines must have a 1 in. drop per 48 in. (2.54 cm drop per 122 cm) of run or 1/4 in. drop per 12 in. (6.35 mm per 30.48 cm) and must not have low points where water can settle.

The ideal installation has a standpipe with a 1-1/2 in. (3.81 cm) to 2 in. (5.08 cm) PVC drain reducer installed directly below the outlet of the drain tube as shown. You must maintain a 1 in. (2.54 cm) air gap between the drain pump hose and the standpipe.

You must maintain a 1 in. (2.54 cm) air gap between the drain pump hose and the standpipe.