

KitchenAid® Electric Built-in Cooktop

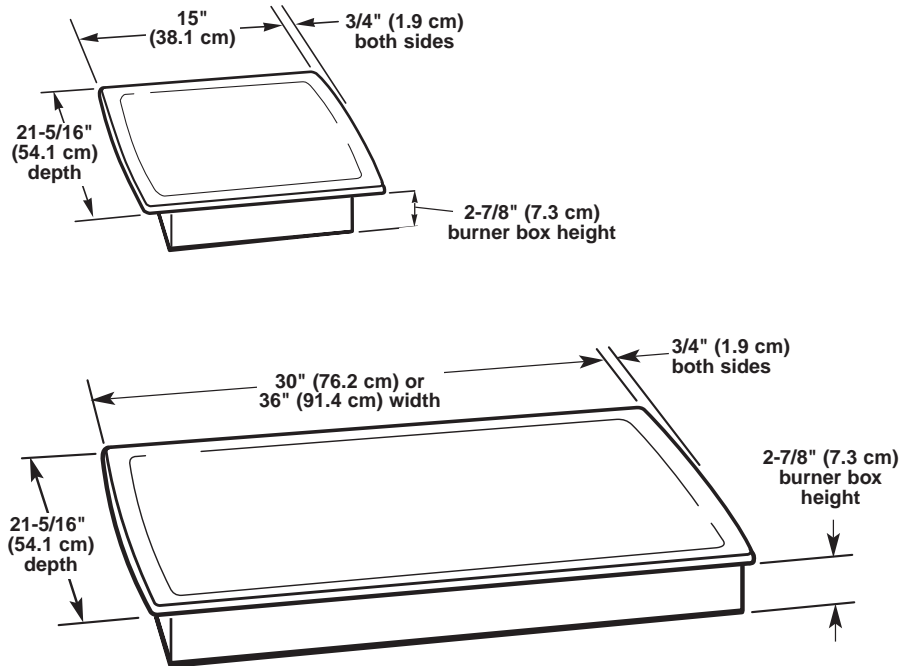
PRODUCT MODEL NUMBERS

KECC051H	KECC562G
KECC501G	KECC563H
KECC502G	KECC567G
KECC507G	KECC567H
KECC507H	KECC567K
KECC507K	KECC568G
KECC508G	KECC568M
KECC508M	

Electrical:

240-volt cooktop: A three-wire or four-wire, single phase, 240-volt, 60-Hz, AC-only electrical supply is required on a separate, 40-ampere circuit, 8-gauge wire (note: the KECC051 series requires a 20 ampere circuit, 12-gauge wire), fused on both sides of the line. Use copper wire only. A time-delay fuse or circuit breaker is recommended.

OVERALL DIMENSIONS



CABINET OPENING DIMENSIONS

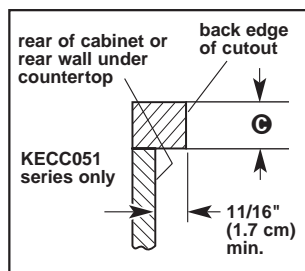
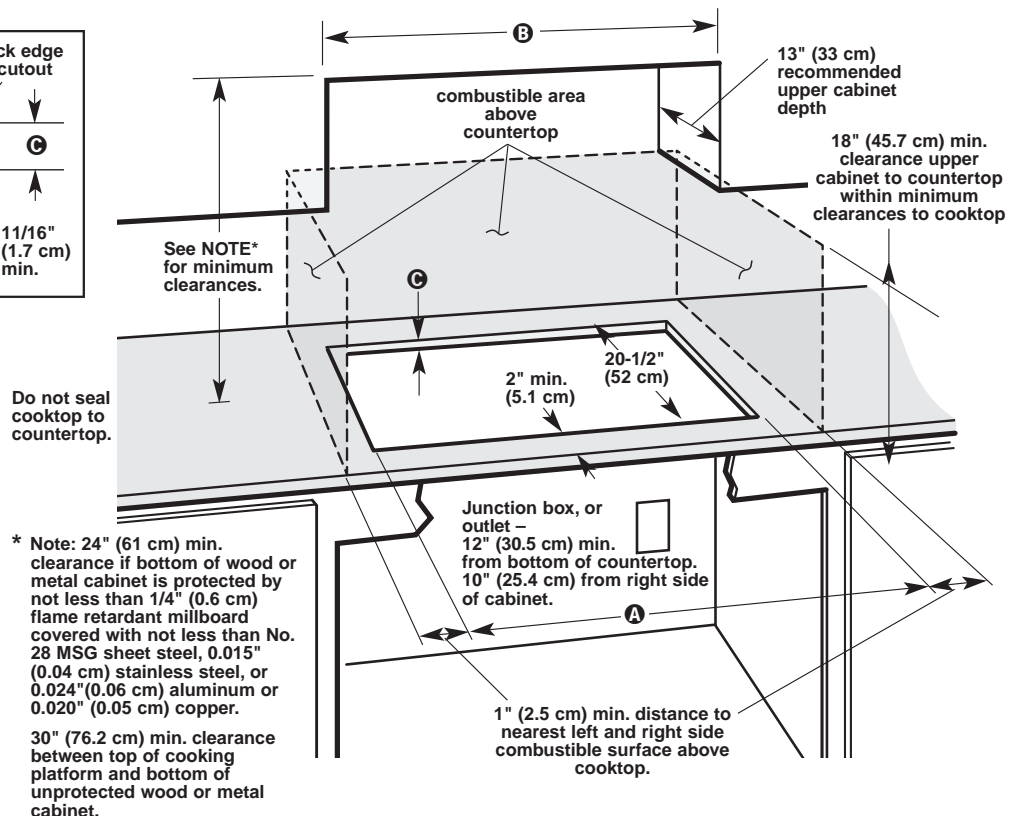


Illustration dimensions			
Cooktop width	A	B	C
15" (38.1 cm)	14-1/2" (36.6 cm)	15" (38.1 cm)	1-1/2" max (3.8 cm)
30" (76.2 cm)	29-1/2" (75 cm)	30" (76.2 cm)	—
36" (91.4 cm)	35-1/2" (90.2 cm)	36" (91.4 cm)	—

Important note on base cabinet construction:

After making the countertop cutout, some installations may require notching down the base cabinet side walls to clear the burner box. To avoid this modification, use a base cabinet having sidewalls wider than the cutout.

Note: If cabinet has a drawer, a 3" (7.5 cm) depth clearance from the countertop to the top of the drawer (or other obstruction) in base cabinet is required.



* Note: 24" (61 cm) min. clearance if bottom of wood or metal cabinet is protected by not less than 1/4" (0.6 cm) flame retardant millboard covered with not less than No. 28 MSG sheet steel, 0.015" (0.04 cm) stainless steel, or 0.024" (0.06 cm) aluminum or 0.020" (0.05 cm) copper.