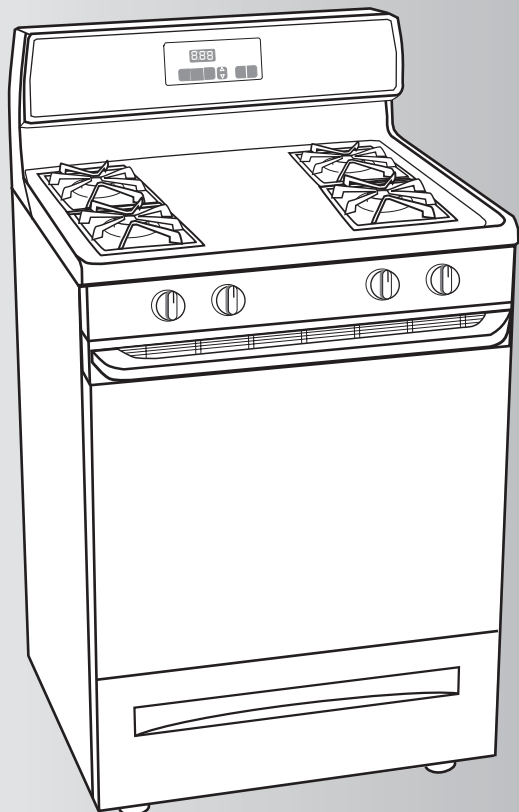


Installation Instructions

30" Freestanding Sealed Burner Gas Range

with standard clean oven



Quick Reference

Table of Contents:

| Pages | |
|----------------|---------------------------------|
| 2 | Before you start |
| 3 | Product dimensions |
| 3 | Cabinet dimensions/requirements |
| 5 | Electrical requirements |
| 6 | Gas supply requirements |
| 7 - 11 | Installation steps |
| 12 - 14 | Gas conversions |
| 15 | If range does not operate |
| 15 | If you need assistance/service |
| 15 | Moving the range |

If you need assistance:

Check your Use and Care Guide for a toll-free number to call or call the dealer from whom you purchased this range. The dealer is listed in the Yellow Pages of your phone directory under "Appliances — Household — Major — Service and Repair."

Call when you:

- Have questions about range installation or operation.
- Need to obtain the name and number of an authorized service company.

When you call, you will need:

- The range model number.
- The range serial number.

Both numbers are listed on the model/serial rating plate located on the frame behind the broiler drawer.

WARNING



Tip Over Hazard

A child or adult can tip the range and be killed.

Connect anti-tip bracket to rear range foot.

Reconnect the anti-tip bracket, if the range is moved.

Failure to follow these instructions can result in death or serious burns to children and adults.

IMPORTANT: Read and save these instructions.

IMPORTANT:

Installer: Leave Installation Instructions with the homeowner.

Homeowner: Keep Installation Instructions for future reference.

Save Installation Instructions for local electrical inspector's use.



Before you start...

Your safety and the safety of others are very important.

We have provided many important safety messages in this manual and on your appliance. Always read and obey all safety messages.



This is the safety alert symbol.

This symbol alerts you to potential hazards that can kill or hurt you and others.

All safety messages will follow the safety alert symbol and either the word “DANGER” or “WARNING”. These words mean:

DANGER

You can be killed or seriously injured if you don't immediately follow instructions.

WARNING

You can be killed or seriously injured if you don't follow instructions.

All safety messages will tell you what the potential hazard is, tell you how to reduce the chance of injury, and tell you what can happen if the instructions are not followed.

WARNING: If the information in this manual is not followed exactly, a fire or explosion may result causing property damage, personal injury or death.

- Do not store or use gasoline or other flammable vapors and liquids in the vicinity of this or any other appliance.
- **WHAT TO DO IF YOU SMELL GAS**
 - Do not try to light any appliance.
 - Do not touch any electrical switch.
 - Do not use any phone in your building.
 - Immediately call your gas supplier from a neighbor's phone. Follow the gas supplier's instructions.
 - If you cannot reach your gas supplier, call the fire department.
- Installation and service must be performed by a qualified installer, service agency or the gas supplier.

Important: Observe all governing codes and ordinances.

Do not obstruct flow of combustion and ventilation air.

This installation must conform with all local codes and ordinances. In the absence of local codes, installation must conform with American National Standard, National Fuel Gas Code ANSI Z223.1 — latest edition* or CAN/CGA — B149 — latest edition* installation codes.

It is the customer's responsibility:

- To contact a qualified electrical installer.
- To assure that the electrical installation is adequate and in conformance with National Electrical Code, ANSI/NFPA 70 — latest edition**, or CSA Standard C22.1, Canadian Electrical Code, Part 1 — latest edition *, and all codes and ordinances.

Cabinet opening dimensions shown must be used. Given dimensions are minimum clearances.

When installing a range under existing cabinets and the installation does not meet the minimum cabinet clearances, install a range hood above the range to avoid burn hazards.

Proper installation is your responsibility. A qualified technician must install this range. Make sure you have everything necessary for correct installation. It is the installer's responsibility to comply with installation clearances specified on the gas information label. The gas information label and model/serial rating plate are located on the frame behind the storage drawer.

Copies of the standards listed may be obtained from:

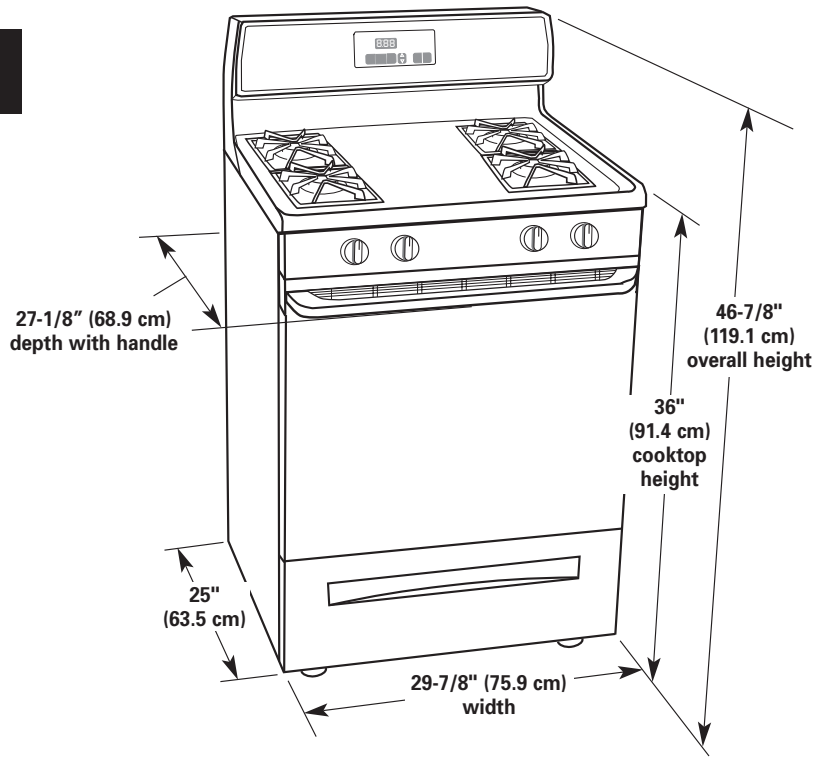
* **CSA International**
8501 East Pleasant Valley Road
Cleveland, Ohio 44131-5575

****National Fire Protection Association**
Batterymarch Park
Quincy, Massachusetts 02269

Product dimensions

Grounded electrical outlet is required.
See "Electrical requirements," Page 5.

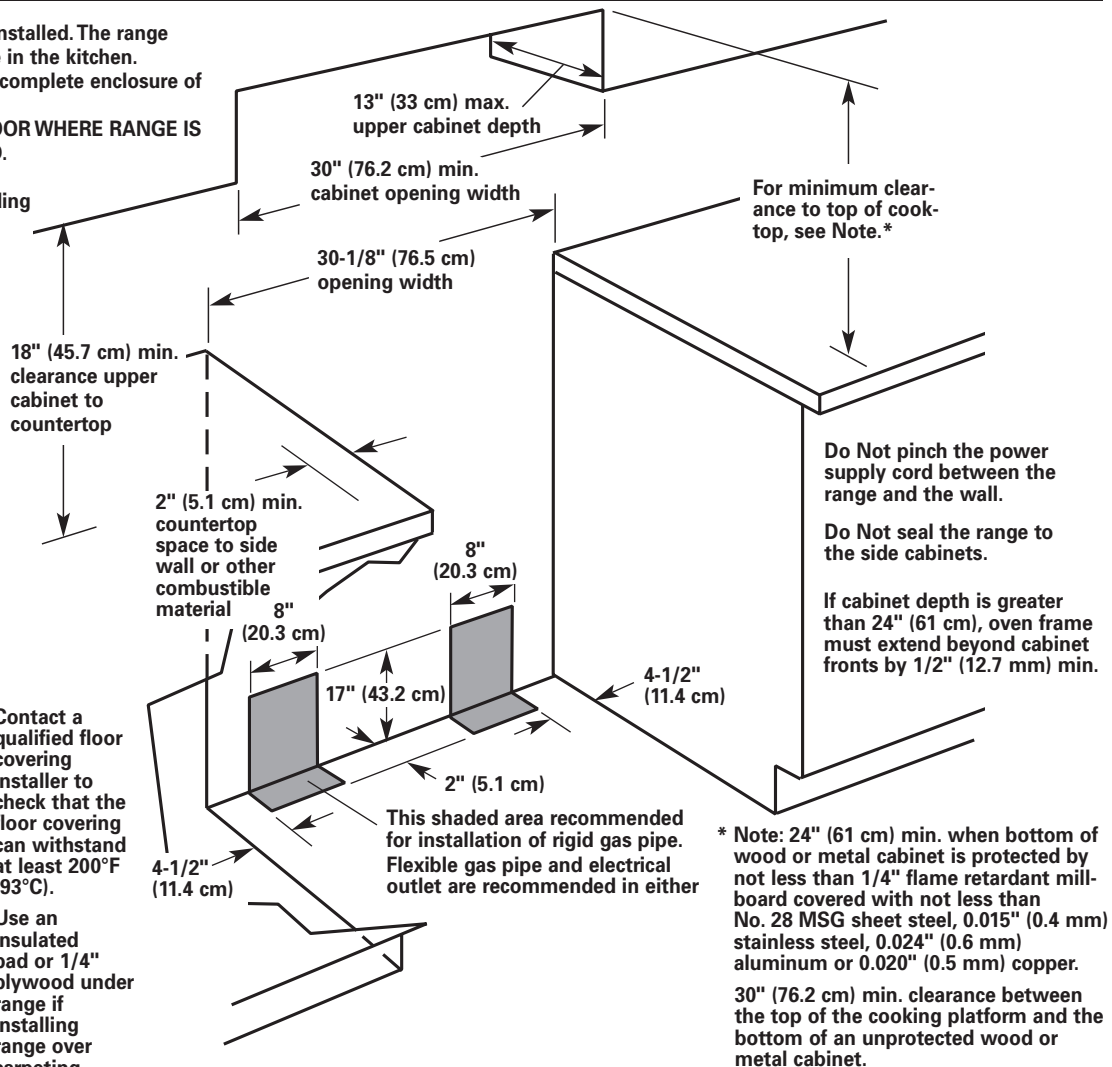
Proper gas supply connection must be available.
See "Gas supply requirements," Page 6.



Cabinet dimensions/requirements

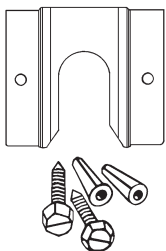
Check location where range will be installed. The range should be located for convenient use in the kitchen. Recessed installations must provide complete enclosure of the sides and rear of range. **ALL OPENINGS IN THE WALL OR FLOOR WHERE RANGE IS TO BE INSTALLED MUST BE SEALED.**

IMPORTANT: Some cabinet and building materials are not designed to withstand the heat produced by the oven for baking and self-cleaning. Check with your builder or cabinet supplier to make sure that the materials used will not discolor, delaminate or sustain other damage.



Anti-tip bracket

The floor-mounted anti-tip bracket **MUST** be installed. To install the anti-tip bracket supplied, see Page 8 and the anti-tip bracket template/instruction sheet.



Contact a qualified floor covering installer to check that the floor covering can withstand at least 200°F (93°C).

Use an insulated pad or 1/4" plywood under range if installing range over carpeting.

This shaded area recommended for installation of rigid gas pipe. Flexible gas pipe and electrical outlet are recommended in either

* Note: 24" (61 cm) min. when bottom of wood or metal cabinet is protected by not less than 1/4" flame retardant mill-board covered with not less than No. 28 MSG sheet steel, 0.015" (0.4 mm) stainless steel, 0.024" (0.6 mm) aluminum or 0.020" (0.5 mm) copper.

30" (76.2 cm) min. clearance between the top of the cooking platform and the bottom of an unprotected wood or metal cabinet.

Mobile home installation

The installation of this range must conform to the Manufactured Home Construction and Safety Standards, Title 24 CFR, Part 3280 (formerly the Federal Standard for Mobile Home Construction and Safety, Title 24, HUD, Part 280); or when such standard is not applicable, the Standard for Manufactured Homes Installations (Manufactured Home Sites, Communities and Setups), ANSI A225.1/NFPA 501A*, or with local codes.

In Canada, the installation of this range must conform with the current standards CAN/CSA-Z240 — latest edition**, or with local codes.

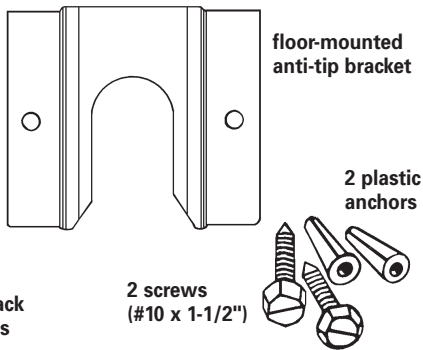
When this range is installed in a mobile home, it must be secured to the floor during transit. Any method of securing the range is adequate as long as it conforms to the standards listed above.

Copies of the standards listed may be obtained from:

* **National Fire Protection Association**
 Batterymarch Park
 Quincy, Massachusetts 02269

** **CSA International**
 8501 East Pleasant Valley Road
 Cleveland, Ohio 44131-5575

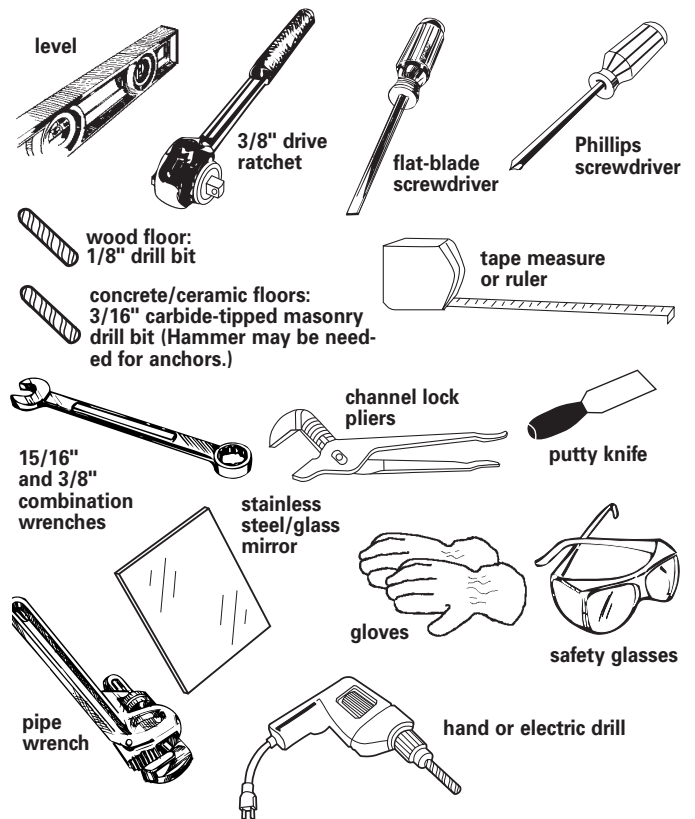
Parts supplied



Not shown:
 • literature pack
 • orifice spuds

Bracket must be securely mounted to sub-floor. Thickness of flooring may require longer screws to anchor bracket to sub-floor. Longer screws are available from your local hardware store.

Tools needed



Materials required:

- gas line shutoff valve
- 1/2" male pipe thread nipple for connection to pressure regulator
- L.P. gas-resistant pipe-joint compound
- CSA or A.G.A. design-certified flexible metal appliance connector (4-5 feet) or rigid gas supply line as needed
- Insulated pad or 1/4" plywood if range is installed over carpeting

Electrical requirements

⚠ WARNING



Electrical Shock Hazard

Plug into a grounded 3-prong outlet.

Do not remove ground prong.

Do not use an adapter.

Failure to follow these instructions can result in death, fire, or electrical shock.

If codes permit and a separate ground wire is used, it is recommended that a qualified electrician determine that the ground path is adequate and that the outlet is correctly polarized.

Do Not ground to a gas pipe.

Check with a qualified electrician if you are not sure range is properly grounded.

A 120-volt, 60-Hz, AC-only, 10-ampere, fused electrical supply is required. A time-delay fuse or circuit breaker is recommended. It is recommended that a separate circuit serving only this appliance be provided.

Electronic ignition systems operate within wide voltage limits, but proper grounding and polarity are necessary. In addition to checking that the outlet is correctly grounded, the outlet must be checked by a qualified electrician to see if it is wired with correct polarity.

Important: This range is equipped with an electronic ignition system that will not operate if plugged into an outlet that is not properly polarized.

A wiring diagram is included on the back of the range.

See "Cabinet dimensions/requirements," Page 3, for recommended location of electrical outlet.

Recommended ground method

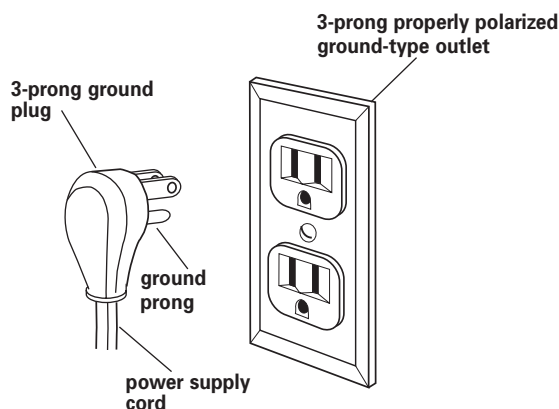
For personal safety, this range is equipped with a power supply cord having a 3-prong ground plug. To minimize possible shock hazard, the cord must be plugged into a mating 3-prong, ground-type outlet, grounded in accordance with the National Electrical Code, ANSI/NFPA 70 — latest edition* or CSA Standard C22.1, Canadian Electrical Code, Part 1, — latest edition** and all local codes and ordinances.

If a mating outlet is not available, it is the personal responsibility and obligation of the customer to have a properly polarized and grounded, 3-prong outlet installed by a qualified electrician.

Copies of the standards listed may be obtained from:

* National Fire Protection Association
One Batterymarch Park
Quincy, Massachusetts, 02269

** CSA International
8501 East Pleasant Valley Road
Cleveland, Ohio 44131-5575



Gas supply requirements

⚠ WARNING



Explosion Hazard

Use a new CSA approved gas supply line.

Install a shut-off valve.

Securely tighten all gas connections.

If connected to LP, have a qualified person make sure gas pressure does not exceed 13" water column. Examples of a qualified person include licensed heating personnel, authorized gas company personnel, and authorized service personnel.

Failure to do so can result in death, explosion, or fire.

Observe all governing codes and ordinances.

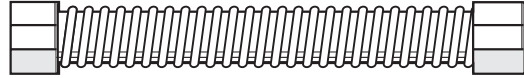
This installation must conform with local codes and ordinances. In the absence of local codes, installations must conform with American National Standard, National Fuel Gas Code ANSI Z223.1 — latest edition* or CAN/CGA-B149 — latest edition* installation codes.

Input ratings shown on the model/serial rating plate are for elevations up to 2,000 feet. For assistance when installing the range at higher elevations, contact your local service company.

Type of gas: This range is design-certified by CSA International for use with Natural gas or, after proper conversion, for use with L. P. gas. This range is factory set for use with Natural gas. Gas conversion instructions are provided on pages 12-14. The model/serial rating plate located on the frame behind the storage drawer or broiler door has information on the type of gas that can be used. If the type of gas listed does not agree with the type of gas available, check with the local gas supplier. Conversion must be done by a qualified service technician.

Gas supply line: Provide a gas supply line of 3/4" rigid pipe to the range location. With L.P. gas, piping or tubing size can be 1/2" minimum. A smaller size pipe on longer runs may result in insufficient gas supply. Usually, L.P. gas suppliers determine the size and materials used in the system.

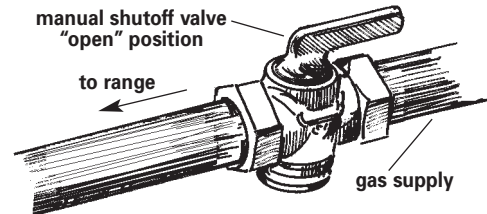
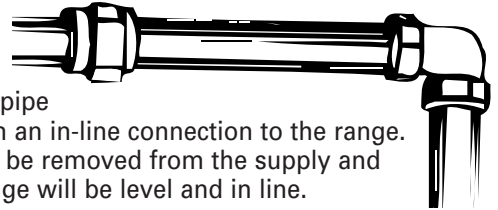
Pipe-joint compounds made for use with L.P. gas must be used on pipe threads only.



Flexible metal appliance connector: If local codes permit, a new CSA design-certified, 1/2" or 3/4" I.D., flexible metal appliance connector is recommended for connecting range to the gas supply line. A 1/2" male pipe thread nipple is needed for connection to pressure regulator female pipe threads. **Do Not kink or damage the flexible metal tubing when moving the range.**

Rigid pipe connection:

Requires a combination of pipe fittings to obtain an in-line connection to the range. All strains must be removed from the supply and fuel lines so range will be level and in line.



Shutoff valve: The supply line must be equipped with a manual shutoff valve. This valve should be located in the same room as the range and should be in a location that allows ease of opening and closing. The valve is for turning on or shutting off gas to the range. **Do Not block access to shutoff valve.**

Pressure regulator: The gas pressure regulator supplied with this range must be used. The inlet pressure to the regulator should be as follows for proper operation:

NATURAL GAS:

Minimum pressure: 5 inches W.C.

Maximum pressure: 14 inches W.C.

L.P. GAS:

Minimum pressure: 11 inches W.C.

Maximum pressure: 14 inches W.C.

Contact local gas supplier if you are not sure about the inlet pressure.

Line pressure testing above 1/2 psi gauge

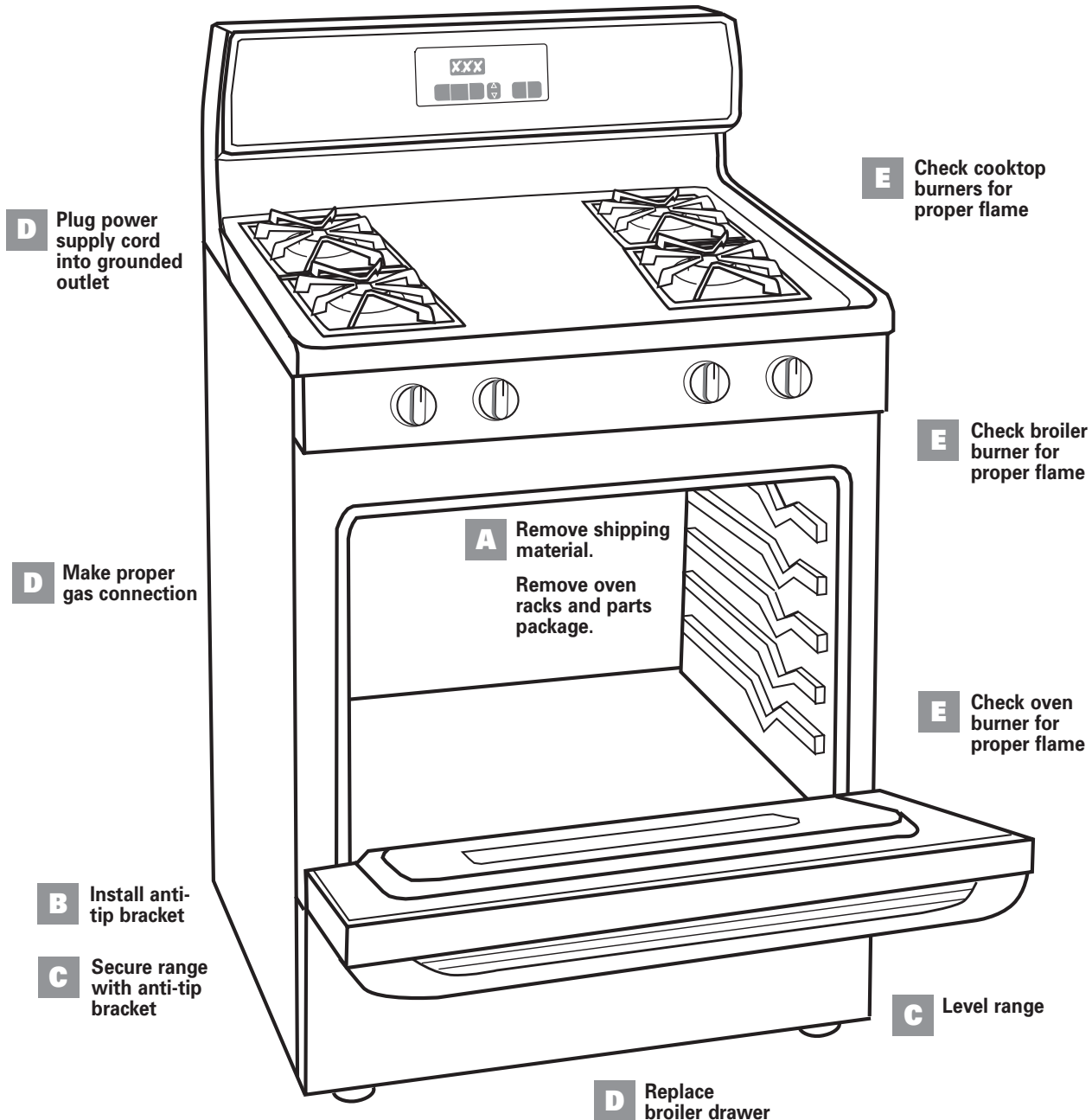
(14" WCP) — The range and its individual manual shutoff valve must be disconnected from the gas supply piping system during any pressure testing of that system at test pressures greater than 1/2 psig (3.5 kPa).

Line pressure testing at 1/2 psi gauge

(14" WCP) or lower — The range must be isolated from the gas supply piping system by closing its individual manual shutoff valve during any pressure testing of that system at test pressures equal to or less than 1/2 psig (3.5 kPa).

Copies of the standards listed may be obtained from:

*CSA International
8501 East Pleasant Valley Road
Cleveland, Ohio 44131-5575



Installation steps

A Preparation

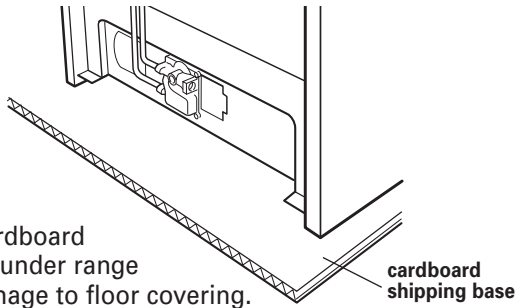
⚠ WARNING

Excessive Weight Hazard
 Use two or more people to move and install range.
 Failure to follow this instruction can result in back or other injury.

1. Put on safety glasses and gloves. Do Not use oven door handle to lift or move the range.

2. Remove oven racks and parts package from inside oven. Remove shipping materials, tape and protective film from range.

3. Keep cardboard shipping base under range to prevent damage to floor covering.



B Anti-tip bracket installation

! WARNING



Tip Over Hazard

A child or adult can tip the range and be killed.

Connect anti-tip bracket to rear range foot.

Reconnect the anti-tip bracket, if the range is moved.

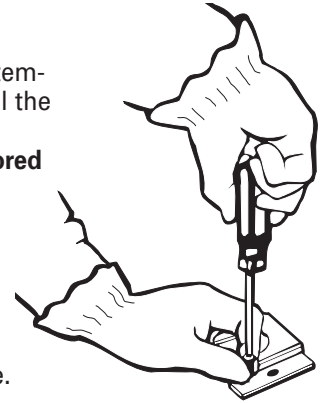
Failure to follow these instructions can result in death or serious burns to children and adults.

Contact a qualified floor covering installer for the best procedure for drilling mounting holes through your type floor covering.

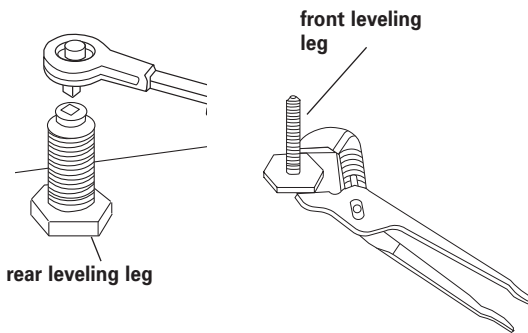
4. Use the anti-tip bracket template/instruction sheet to install the anti-tip bracket.

Anti-tip bracket must be anchored securely to the sub floor.

Depending on the thickness of your flooring, longer screws may be needed to anchor the bracket to the sub floor. Longer screws are available from your local hardware store.



C Operating position

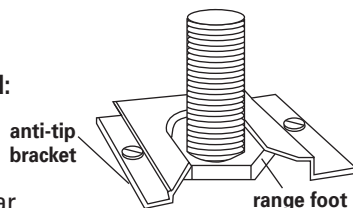


5. Remove cardboard shipping base from under range. Remove storage drawer. Use a 3/8" drive ratchet to lower rear leveling legs one-half turn. Use channel lock pliers to lower front leveling legs one-half turn.

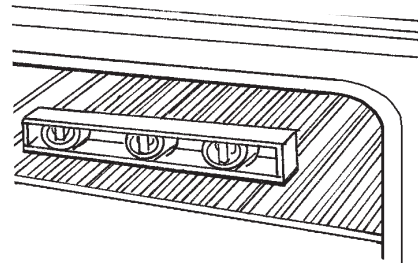
Before moving range across floor, check that range is still on cardboard shipping base to protect floor covering.

6. Making sure the anti-tip bracket is installed:

- Look for the anti-tip bracket securely attached to floor.
- Slide range back so rear range foot is under anti-tip bracket. Replace broiler drawer.



7. If installing the range in a mobile home, you **MUST** secure the range to the floor. Any method of securing the range is adequate as long as it conforms to the "Manufactured Home Construction and Safety Standards," Page 4.



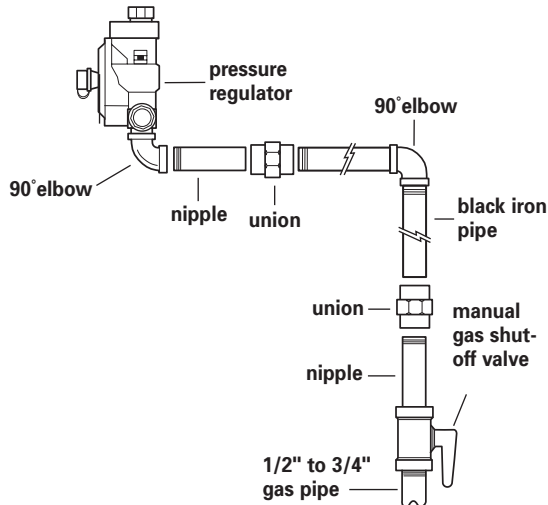
8. Place rack in oven. Place level on rack, first side to side; then front to back. If range is not level, pull range forward until rear leveling leg is removed from the anti-tip bracket. Use 3/8" drive ratchet and channel lock pliers to adjust leveling legs up or down until range is level. Push range back into position. Check that rear leveling leg is engaged in anti-tip bracket.

Note: Oven must be level for satisfactory baking conditions.

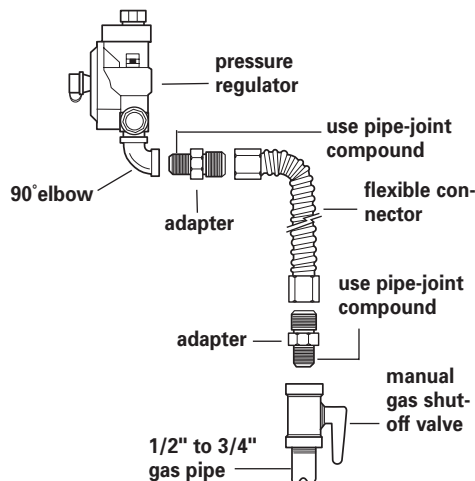
D Gas and electrical connections

All connections must be wrench-tightened.

Typical rigid pipe connection

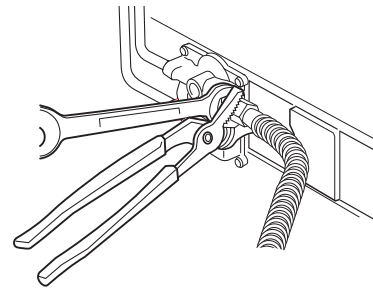


Typical flexible connection

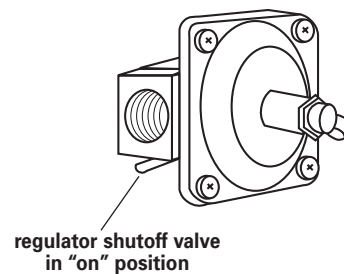


A 1/2" male pipe thread is needed for connection to pressure regulator female pipe threads.

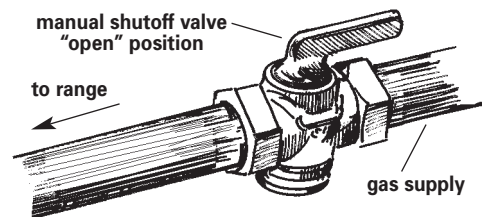
9. Apply pipe-joint compound made for use with L. P. gas to the smaller thread ends of the flexible connector adapters. Attach one adapter to the pressure regulator elbow and the other adapter to the gas shut-off valve. Tighten both adapters.



10. Use 15/16" combination wrench and channel lock pliers to attach the flexible connector to the adapters. Check that connector is not kinked.



regulator shutoff valve in "on" position



11. Check that range regulator shutoff valve is in the "on" position. Open the manual shutoff valve in the gas supply line.

12. Use a brush and liquid detergent to test all gas connections. Bubbles around connections will indicate a leak. If a leak appears, shut off gas valve controls and tighten connections. Then check connections again. **Never test for gas leaks with a match or other flame.** Clean all detergent from range.

13. Center the burner cap on burner base. Burner cap should be level when properly positioned. Place burner grates over burner.

14. Plug power supply cord into grounded electrical outlet.

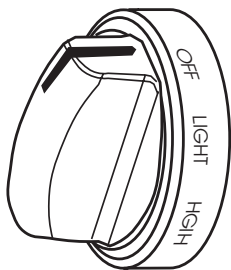
E Check operation

Electronic ignition system

Cooktop and oven burners use electronic ignitors in place of standing pilots. When a cooktop control knob is turned to the "LIGHT" position, the system creates a spark to light the burner. This sparking continues until the control knob is turned to the desired setting.

When the oven control is turned to the desired setting, a hot surface ignitor heats to a bright orange and ignites the gas. No sparking occurs and the glow bar remains on while the burner operates.

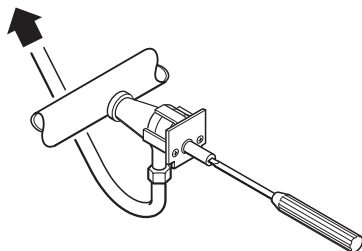
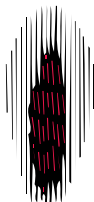
Check operation of cooktop



15. Push in and turn each surface unit control knob to "LIGHT" position. The flame should light within 4 seconds. Turn control knob to "HIGH" position after burner lights.

Check each cooktop burner for proper flame.

The small inner cone should have a very distinct blue flame 1/4" (6 mm) to 1/2" (13 mm) long. The outer cone is not as distinct as the inner cone.

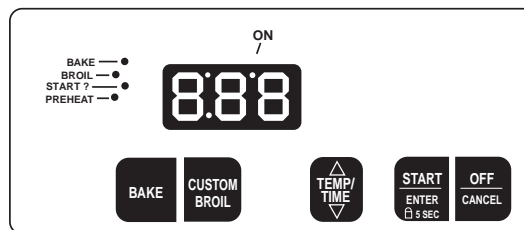


16. Push in and turn each cooktop control knob from "LIGHT" to "LOW" setting quickly. The low flame should be a minimum, steady blue flame. If flame needs to be adjusted, turn control knob to the "LOW" setting and remove control knob. Insert a small flat-blade screwdriver into the valve stem. Turn the valve screw to obtain the smallest flame that will not go out when the control of a cold burner is quickly turned from "HIGH" to "LOW". Repeat for other cooktop burners as needed.

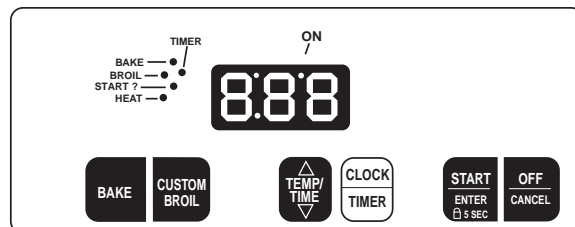
Check operation of oven burner

17. Open broiler drawer. Follow the instructions for your type of oven controls.

If your oven has this type of electronic control pads (with or without timer):



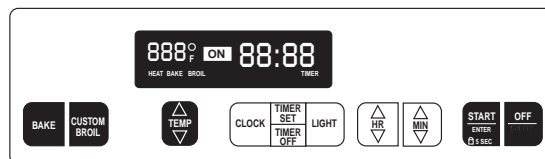
A



B

1. Press the "BAKE" pad.
 - The "BAKE" indicator will light.
 - "350" will appear in the display.
2. Press the START/ENTER pad.
 - The "PREHEAT" or "HEAT," and "ON" indicators will appear.
 - The oven burner should light in 50-60 seconds; this delay is normal.** The oven valve requires a certain time before it will open and allow gas to flow.

If your oven has this type of electronic control pads:

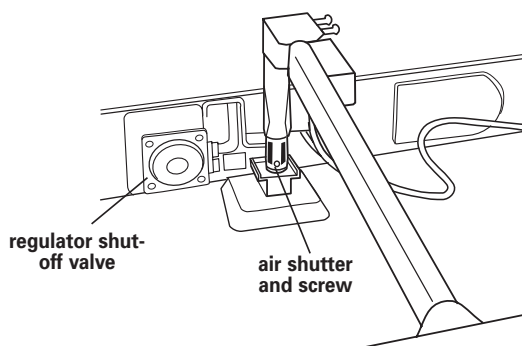


C

1. Press the "BAKE" pad.
 - The "BAKE" indicator will light.
 - "350F" will appear in the display.
2. Press the START/ENTER pad.
 - "PrE," and "10:00" will appear in the display.
 - "HEAT" and "ON" indicators will light.

To avoid damaging the hot surface ignitor, Do Not insert any object into the openings of the protective shield that surrounds the ignitor or clean that area.

18. Check the oven burner for proper flame. The flame should be 1/2" (13 mm) long, with inner cone of bluish-green, and outer mantle of dark blue, and should be clean and soft in character. No yellow tips, blowing or lifting of flame should occur. **If burner does not light, check that the regulator shutoff valve is in the "on" position (see Step 11).**



If oven flame needs adjusting:

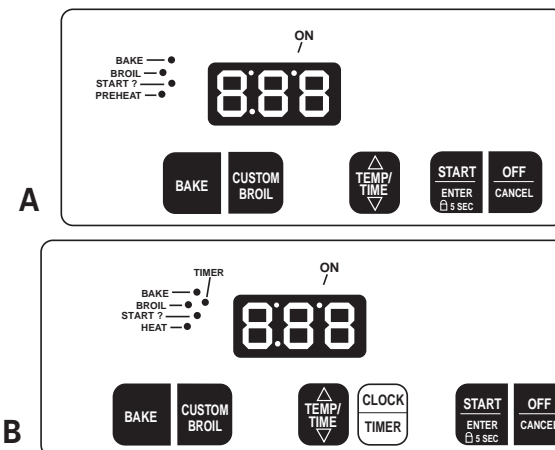
Locate the air shutter next to the pressure regulator. Loosen screw and adjust the air shutter until the proper flame appears. Tighten screw.

19. Press the "OFF/CANCEL" pad.

Check operation of broil burner

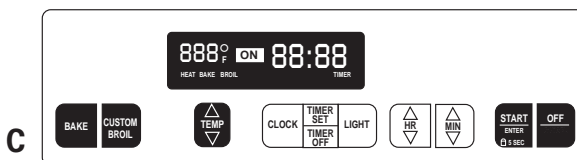
20. Broil burner and oven burner are the same burner. Follow the instructions for your type of oven controls.

If your oven has this type of electronic control pads (with and without timer):



1. Press the "CUSTOM BROIL" pad.
 - "525" or "HI" will appear in the display.
 - The "BROIL" indicator will light.
2. Press the "START/ENTER" pad.
 - "HEAT" (console B only) and "ON" indicators will light.
 - **The oven burner should light in 50-60 seconds; this delay is normal.** The oven valve requires a certain time before it will open and allow gas to flow.

If your oven has this type of electronic control pads:



1. Press the "CUSTOM BROIL" pad.
 - "HI" will appear in the display.
 - The "BROIL" indicator will light.
2. Press the "START/ENTER" pad.
 - "HEAT" and "ON" indicators will light.
 - **The oven burner should light in 50-60 seconds; this delay is normal.** The oven valve requires a certain time before it will open and allow gas to flow.

21. Check that the broil burner is operating.

22. Close the broiler drawer. Press the "OFF/CANCEL" pad.

You have just finished installing your new range. To get the most efficient use from your range, read your Use & Care Guide. Keep Installation Instructions and Guide close to range for easy reference. The instructions will make installing the range in another home as easy as the first installation.

Gas conversions

Gas conversions (from Natural gas to L.P. gas; or from L.P. gas to Natural gas) must be done by a qualified installer.

WARNING



Fire Hazard

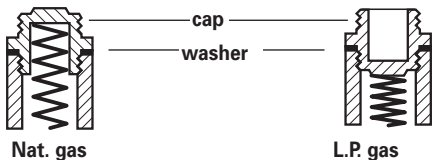
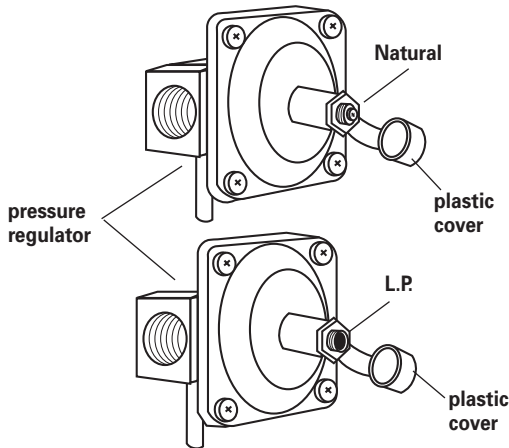
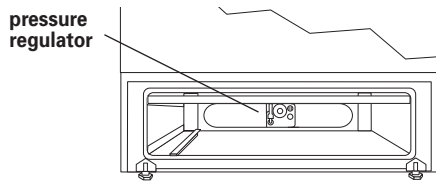
Shut off gas supply line valve.

Make all conversions before turning gas supply valve back on.

Failure to follow these instructions can result in explosion, fire or other injury.

L.P. gas conversion

1. Complete installation sections A-C (Pages 7-8) before converting cooktop to L.P. gas. **Check that main gas supply line has been shut off and the power supply cord is disconnected.**

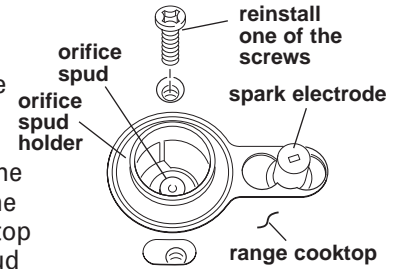


DO NOT REMOVE THE PRESSURE REGULATOR.

2. Pressure regulator: Remove storage drawer and locate pressure regulator at back of range. Remove plastic cover. Turn cap marked "N" on front of pressure regulator counter-clockwise with a wrench to remove. **Do Not disturb or remove the spring beneath the cap.** Turn the cap over and reinstall cap on regulator so that the letters "L.P." are visible. Replace plastic cover over cap.

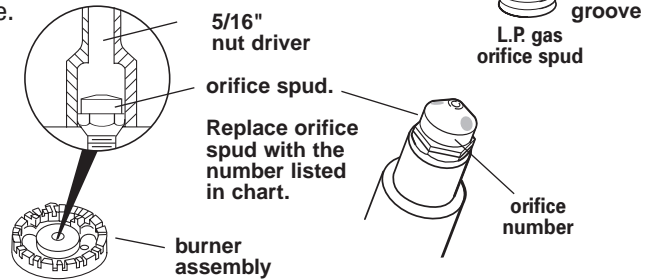
3. Surface Burners:

Remove burner caps. Use a Phillips or Quadrex screwdriver to remove the two screws holding the burner head down. Lift the burner head off the cooktop to uncover the orifice spud holder. The orifice spud is recessed in the holder.



Note: Reinstall one of the screws through the range cooktop to hold orifice spud holder in place while removing and replacing orifice spuds.

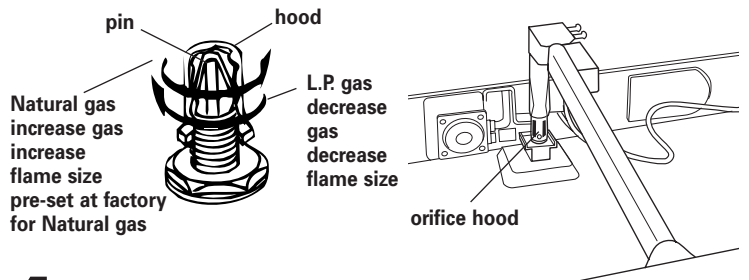
Locate the L.P. gas orifice spuds in literature package. Orifice spuds are stamped with a number and marked with two color dots and has a groove.



| L.P. Gas | | | |
|----------------|-----------------------|----------------|----------------|
| Surface burner | Propane Rate (BTU/hr) | Orifice Number | Color Marking |
| Left rear | 8,000 | L80 | Green/Lt. Blue |
| Left front | 11,000 | L99 | Green/Yellow |
| Right front | 8,000 | L80 | Green/Lt. Blue |
| Right rear | 5,000 | L65 | Green/Brown |

A brass orifice spud is located in the center of each burner throat about 2" below the cooktop. Apply masking tape to the end of a 5/16" nut driver to fit snugly over the orifice spud. Press driver down onto the spud of the left front burner and remove by turning spud counter-clockwise and lifting it out. Replace the Natural gas spud with the appropriate L.P. gas spud shown in the table.

Continue to replace the remaining orifice spuds, one at a time. Place the Natural gas spuds in plastic parts bag for future use and keep with literature package. Replace burner caps using both screws, and burner grates.



4. Oven burner: Use 1/2" combination wrench to turn the orifice hood down snug onto pin (approximately 2 to 2-1/2 turns). **DO NOT OVERTIGHTEN.** The burner flame cannot be properly adjusted if this conversion is not made.

Gas conversions *cont.*

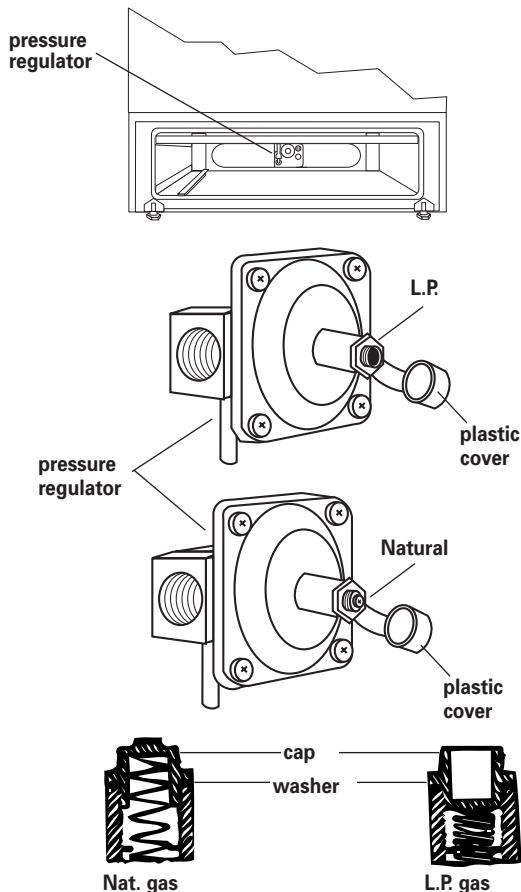
5. Reinstall the broiler drawer. Complete installation sections D through E, Pages 9-11. **Checking for proper cooktop burner and oven flame is very important.**

YOU MUST ADJUST "LOW" SETTING FOR EACH COOKTOP BURNER AS IN STEP 16, PAGE 10.

The small inner cone should have a very distinct blue flame 1/4" to 1/2" long. The outer cone is not as distinct as the inner cone. L.P. gas flames have a slightly yellow tip. If the flame is noisy or blowing, it is getting too much air. If the flame is soft and lazy, it is not getting enough air.

Natural gas conversion

1. Check that main gas supply line has been shut off and the power supply cord is disconnected.

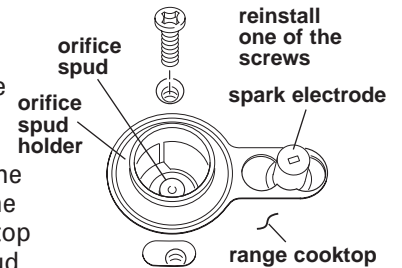


DO NOT REMOVE THE PRESSURE REGULATOR.

2. Open broiler drawer to locate pressure regulator. **Pressure regulator:** Remove plastic cover. Turn cap marked "L.P." on front of pressure regulator counterclockwise with a wrench to remove. **Do Not disturb or remove the spring beneath the cap.** Turn the cap over and reinstall cap on regulator so that the letter "N" is visible. Replace plastic cover over cap.

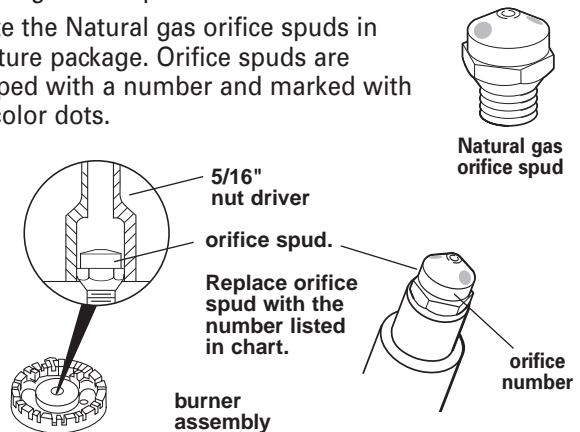
3. Surface Burners:

Remove burner caps. Use a Phillips or Quadrex screwdriver to remove the two screws holding the burner head down. Lift the burner head off the cooktop to uncover the orifice spud holder. The orifice spud is recessed in the holder.



Note: Reinstall one of the screws through the range cooktop to hold orifice spud holder in place while removing and replacing orifice spuds.

Locate the Natural gas orifice spuds in literature package. Orifice spuds are stamped with a number and marked with two color dots.

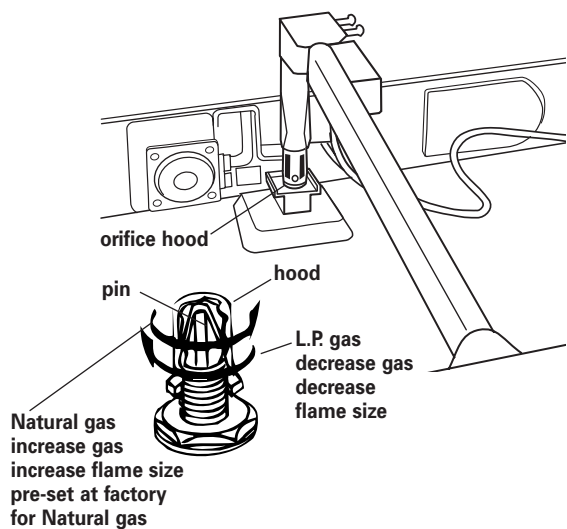


| Natural Gas | | | |
|----------------|-----------------------|----------------|---------------|
| Surface burner | Propane Rate (BTU/hr) | Orifice Number | Color Marking |
| Left rear | 8,000 | N139 | Blue/Black |
| Left front | 12,000 | N176 | Blue/Red |
| Right front | 9,500 | N151 | Blue/Brass |
| Right rear | 5,000 | N112 | Blue/White |

A brass orifice spud is located in the center of each burner throat about 2" below the cooktop. Apply masking tape to the end of a 5/16" nut driver to fit snugly over the orifice spud. Press driver down onto the spud of the left front burner and remove by turning spud counter-clockwise and lifting it out. Replace the L.P. gas spud with the appropriate Natural gas spud shown in the table.

Continue to replace the remaining orifice spuds, one at a time. Place the L.P. gas spuds in plastic parts bag for future use and keep with literature package. Replace burner caps using both screws, and burner grates.

Gas conversions *cont.*



4 ■ **Oven burner:** Use 1/2" combination wrench to loosen the orifice hood away from pin (approximately 2 to 2-1/2 turns). The burner flame cannot be properly adjusted if this conversion is not made.

5 ■ Check operation of range in section E, Pages 10-11. **Checking for proper cooktop burner and oven flame is very important.**

YOU MUST ADJUST "LOW" SETTING FOR EACH COOKTOP BURNER AS IN STEP 16, PAGE 10.

Natural gas flames do not have yellow tips.

If range does not operate:

- ✓ Check that the circuit breaker is not tripped or the house fuse blown.
- ✓ Check that the power supply cord is plugged into the wall receptacle.
- ✓ Check that gas line is turned on.
- ✓ See Use and Care Guide for troubleshooting list.

If you need assistance:

If you have questions about operating, cleaning or maintaining your range:

- ✓ Refer to Use and Care Guide.
- ✓ Call the Consumer Assistance Center. Check your Use and Care Guide for a toll-free number to call or call the dealer from whom you purchased this appliance. The dealer is listed in the Yellow Pages of your phone directory under "Appliances — Household — Major — Service and Repair."

If you need service:

Maintain the quality built into your range by calling an authorized service company.

To obtain the name and number of an authorized service company:

- ✓ Contact the dealer from whom you purchased your range; or
- ✓ Look in the Yellow Pages of your telephone directory under "Appliances — Household — Major — Service and Repair;" or
- ✓ Call the Consumer Assistance Center. The toll-free number is listed in your Use and Care Guide.

When you call, you will need:

- ✓ The range model number.
- ✓ The range serial number.

Both numbers are listed on the model/serial rating plate located on the frame behind the storage drawer.

Moving the range:

⚠ WARNING



Tip Over Hazard

A child or adult can tip the range and be killed. Connect anti-tip bracket to rear range foot.

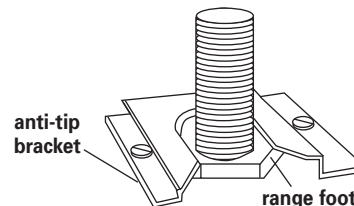
Reconnect the anti-tip bracket, if the range is moved.

Failure to follow these instructions can result in death or serious burns to children and adults.

When moving range, slide range onto cardboard or hardboard to prevent damaging the floor covering.

If removing the range is necessary for cleaning or maintenance:

1. Remove the storage drawer.
2. Shut off the gas supply to the range.
3. Slide range forward, away from the wall, just far enough to disconnect the gas and electric supply lines.
4. Slide range forward to complete cleaning or maintenance.

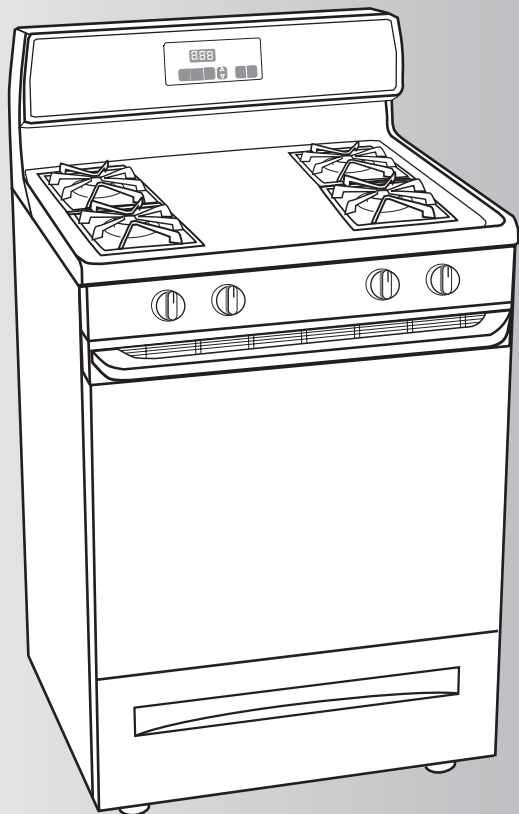


5. Making sure the anti-tip bracket is installed:

- Look for the anti-tip bracket securely attached to floor.
 - Slide range back so rear range foot is under anti-tip bracket.
6. Check that range is level.
 7. Reconnect gas line to range and check for leaks.
 8. Plug power supply cord into outlet. Reinstall storage drawer.

Instructions d'installation

Cuisinière à gaz autonome - 30 po / brûleurs scellés avec four à nettoyage standard



⚠ AVERTISSEMENT



Risque de basculement

Un enfant ou un adulte peut faire basculer la cuisinière, et ceci peut provoquer des blessures graves ou mortelles.

Fixer la bride antibasculement sur le plancher pour qu'elle accroche le pied arrière de la cuisinière.

Réinstaller la bride antibasculement après un déplacement de l'appareil.

Le non-respect de ces instructions peut susciter un accident mortel ou de graves brûlures pour un enfant ou un adulte.

Sommaire Table des matières

Pages

| | |
|---------|---|
| 2 | Avant de commencer |
| 3 | Dimensions du produit |
| 3 | Dimensions de l'espace d'installation |
| 5 | Installation électrique |
| 6 | Alimentation en gaz |
| 7 - 11 | Étapes de l'installation |
| 12 - 14 | Conversions pour l'utilisation d'un autre gaz |
| 15 | Si la cuisinière ne fonctionne pas |
| 15 | Si une assistance est nécessaire |
| 15 | Déplacement de la cuisinière |

Si une assistance est nécessaire :

Pour obtenir le numéro d'appel sans frais, consulter le Guide d'utilisation et d'entretien ou contacter le magasin où l'appareil a été acheté. On peut trouver les noms et adresses des établissements de vente agréés dans l'annuaire local Pages jaunes à la rubrique «Appareils électroménagers – Gros – Vente et service ».

Téléphoner :

- Pour une question concernant l'installation ou l'utilisation de la cuisinière.
- Pour obtenir le nom et l'adresse d'un établissement de service après-vente agréé.

Lors de la prise de contact, le client doit communiquer :

- le numéro de modèle, et.
- le numéro de série de l'appareil.

Ces numéros figurent sur la plaque signalétique, située sur le châssis, derrière le tiroir de brûleur du grill.

IMPORTANT: Lire et conserver ces instructions.

IMPORTANT:

Installateur : Remettre les instructions d'installation au propriétaire.

Propriétaire : Conserver les instructions d'installation pour consultation ultérieure.

Conserver les instructions d'installation pour consultation par l'inspecteur local des installations électriques.



Avant de commencer....

Votre sécurité et celle des autres est très importante.

Nous donnons de nombreux messages de sécurité importants dans ce manuel, et sur votre appareil ménager. Assurez-vous de toujours lire tous les messages de sécurité et de vous y conformer.



Voici le symbole d'alerte de sécurité.

Ce symbole d'alerte de sécurité vous signale les dangers potentiels de décès et de blessures graves à vous et à d'autres.

Tous les messages de sécurité suivront le symbole d'alerte de sécurité et le mot «DANGER» ou «AVERTISSEMENT». Ces mots signifient :

⚠ DANGER

Risque possible de décès ou de blessure grave si vous ne suivez pas immédiatement les instructions.

⚠ AVERTISSEMENT

Risque possible de décès ou de blessure grave si vous ne suivez pas les instructions.

Tous les messages de sécurité vous diront quel est le danger potentiel et vous disent comment réduire le risque de blessure et ce qui peut se produire en cas de non-respect des instructions.

AVERTISSEMENT : Si les instructions présentées dans ce manuel ne sont pas respectées, un incendie ou une explosion peut causer des dommages aux biens, une blessure ou un décès.

- **Ne pas remiser ou utiliser de l'essence ou un autre produit liquide ou gazeux inflammable à proximité de cet appareil ou de tout autre appareil électroménager**
- **QUE FAIRE SI UNE ODEUR DE GAZ EST PERCEPTIBLE?**
 - **Ne pas essayer de mettre un appareil en marche.**
 - **Ne toucher aucun commutateur électrique.**
 - **N'utiliser aucun téléphone de l'édifice.**
 - **Contactez immédiatement le fournisseur de gaz depuis le téléphone d'un voisin. Exécuter les instructions du fournisseur.**
 - **Si le fournisseur de gaz n'est pas accessible, appelez les pompiers.**
- **L'installation et les travaux de service doivent être effectués par un électricien qualifié, ou par le personnel d'une agence de service ou du fournisseur de gaz.**

Important : Observer les dispositions de tous les codes et règlements en vigueur.

Ne pas entraver la circulation d'air de combustion et d'air de ventilation.

L'installation réalisée selon ces instructions doit être conforme aux dispositions des codes et règlements locaux. En l'absence d'un code local l'installation doit être conforme aux dispositions de la plus récente édition de la norme American National Standard, National Fuel Gas Code ANSI Z223.1*, ou de la norme CAN/CGA B149.*

C'est au client qu'incombe la responsabilité :

- de contacter un électricien qualifié pour l'installation.
- de s'assurer que l'installation électrique est adéquate et conforme aux dispositions de l'édition la plus récente du Code national des installations électriques ANSI/NFPA 70** ou de la norme de l'ACNOR C22.1 du Code canadien de l'électricité, 1ère partie*, et aux dispositions des codes et règlements locaux.

On doit respecter les dimensions indiquées pour l'espace d'installation entre les placards. Ces dimensions tiennent compte des dégagements de séparation nécessaires.

Lors de l'installation d'une cuisinière sous des placards muraux existants, s'il n'est pas possible de respecter les valeurs minimales de séparation entre la table de cuisson et les placards, installer une hotte d'extraction au-dessus de la table de cuisson pour éviter les risques de brûlure.

C'est à l'installateur qu'incombe la responsabilité d'une installation correcte. Cette cuisinière doit être installée par un technicien qualifié.

Vérifier que tout le matériel nécessaire pour une installation correcte est disponible. C'est à l'installateur qu'incombe la responsabilité de respecter les dégagements de séparation spécifiés sur l'étiquette de renseignements sur le gaz. On trouve l'étiquette de renseignements sur le gaz et la plaque signalétique sur le châssis, derrière le tiroir de remisage.

On peut obtenir des exemplaires des normes mentionnées auprès de :

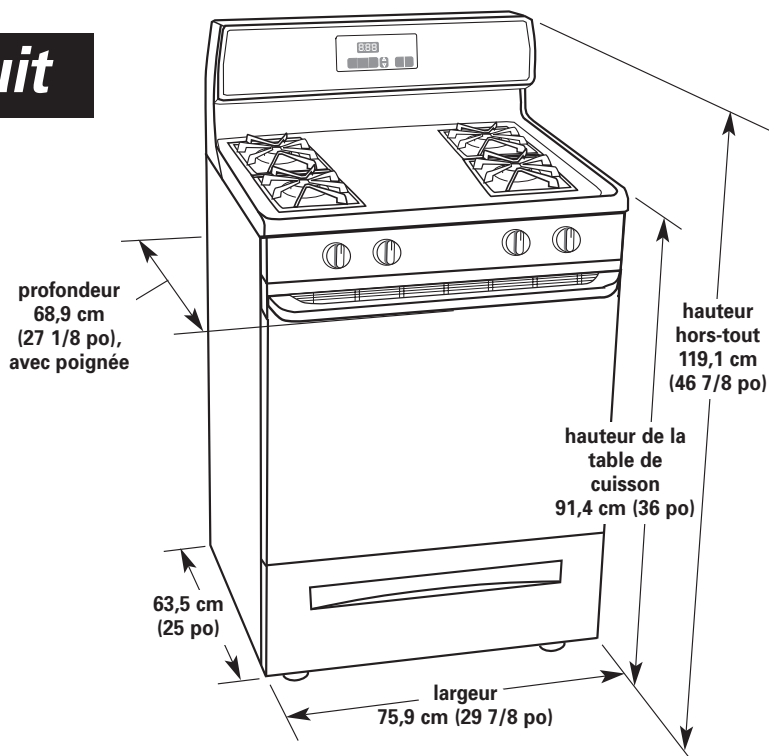
* **CSA International**
8501 East Pleasant Valley Road
Cleveland, Ohio 44131-5575

** **National Fire Protection Association**
Batterymarch Park
Quincy, Massachusetts 02269

Dimensions du produit

Il faut qu'une prise de courant électrique reliée à la terre soit disponible. Voir à la page 5 « Installation électrique ».

Il faut que le raccordement soit possible sur une canalisation de gaz adéquate. Voir à la page 6 « Alimentation en gaz ».



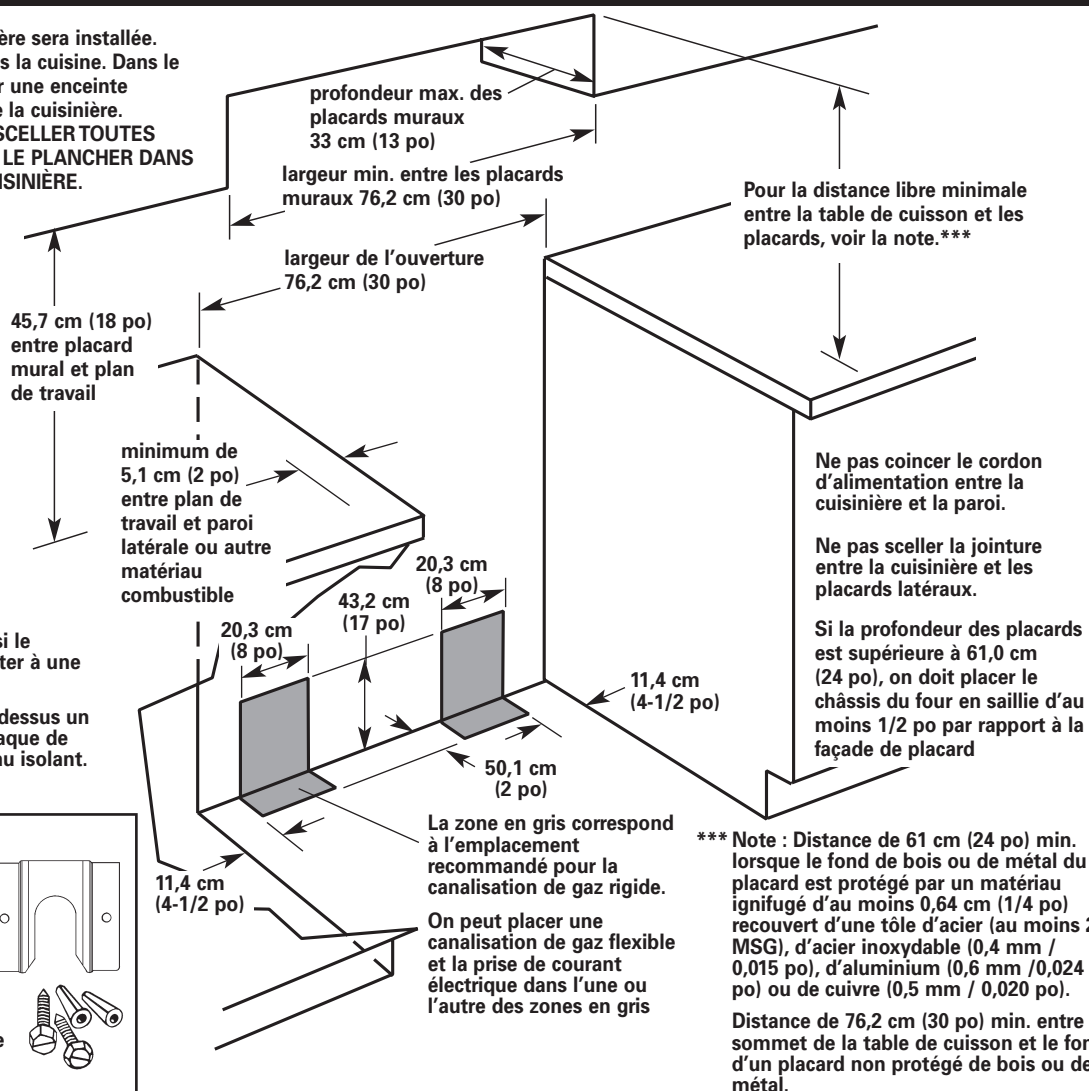
Dimensions de l'espace d'installation

Examiner l'emplacement où la cuisinière sera installée. Choisir un emplacement pratique dans la cuisine. Dans le cas d'un encastrement, on doit former une enceinte complète sur les côtés et à l'arrière de la cuisinière. **ON DOIT PARFAITEMENT OBTURER/SCELLER TOUTES LES OUVERTURES DANS LE MUR ET LE PLANCHER DANS L'ESPACE D'INSTALLATION DE LA CUISINIÈRE.**

IMPORTANT : Certains placards et matériaux de construction ne peuvent résister à la chaleur émise par le four lors des opérations de cuisson au four et autonettoyage. Vérifier auprès du constructeur de la maison ou du fournisseur des placards que les matériaux utilisés ne subiront pas de dommage (changement de couleur, déstratification, etc.)

Consulter un installateur qualifié de revêtements de sol pour déterminer si le revêtement de sol existant peut résister à une température d'au moins 200°F.

Si la cuisinière doit être installée par-dessus un tapis, placer sous la cuisinière une plaque de contreplaqué de 1/4 po ou un panneau isolant.



Pour la distance libre minimale entre la table de cuisson et les placards, voir la note.***

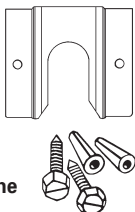
Ne pas coincer le cordon d'alimentation entre la cuisinière et la paroi.

Ne pas sceller la jointure entre la cuisinière et les placards latéraux.

Si la profondeur des placards est supérieure à 61,0 cm (24 po), on doit placer le châssis du four en saillie d'au moins 1/2 po par rapport à la façade de placard

Bride antibasculement

Il est nécessaire d'installer la bride antibasculement sur le plancher. Pour installer la bride antibasculement fournie, voir les instructions des pages 4-5 et la fiche d'instructions/gabarit qui accompagne la bride antibasculement.



La zone en gris correspond à l'emplacement recommandé pour la canalisation de gaz rigide.

On peut placer une canalisation de gaz flexible et la prise de courant électrique dans l'une ou l'autre des zones en gris

*** Note : Distance de 61 cm (24 po) min. lorsque le fond de bois ou de métal du placard est protégé par un matériau ignifugé d'au moins 0,64 cm (1/4 po) recouvert d'une tôle d'acier (au moins 28 MSG), d'acier inoxydable (0,4 mm / 0,015 po), d'aluminium (0,6 mm / 0,024 po) ou de cuivre (0,5 mm / 0,020 po).

Distance de 76,2 cm (30 po) min. entre le sommet de la table de cuisson et le fond d'un placard non protégé de bois ou de métal.

Installation dans une résidence mobile

L'installation de la cuisinière doit satisfaire les critères de la norme de construction/sécurité des résidences préfabriquées (Manufactured Home Construction and Safety Standards), titre 24 CFR, partie 3280 (anciennement norme fédérale pour construction/sécurité des résidences mobiles, titre 24 HUD partie 280); ou si cette norme n'est pas applicable, l'installation doit satisfaire les prescriptions de la norme d'installation des résidences préfabriquées (Manufactured Home Sites, Communities and Setups), ANSI A225.1/NFPA 501A*, ou les prescriptions des codes locaux.

Au Canada l'installation de cette cuisinière doit satisfaire les critères de la plus récente édition de la norme CAN/ACNOR-Z240** ou des codes locaux en vigueur.

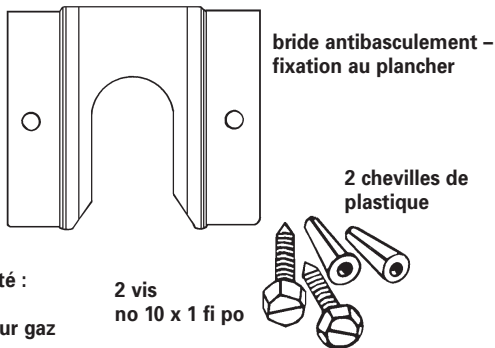
Si cette cuisinière est installée dans une résidence mobile, on doit la fixer au sol durant toute opération de transport. Toute méthode de fixation de la cuisinière au plancher est adéquate si elle satisfait les prescriptions des normes mentionnées ci-dessus

On peut se procurer un exemplaire des normes mentionnées aux adresses suivantes :

* National Fire Protection Association
One Batterymarch Park
Quincy, Massachusetts 02269

** CSA International
8501 East Pleasant Valley Road
Cleveland, Ohio 44131-5575

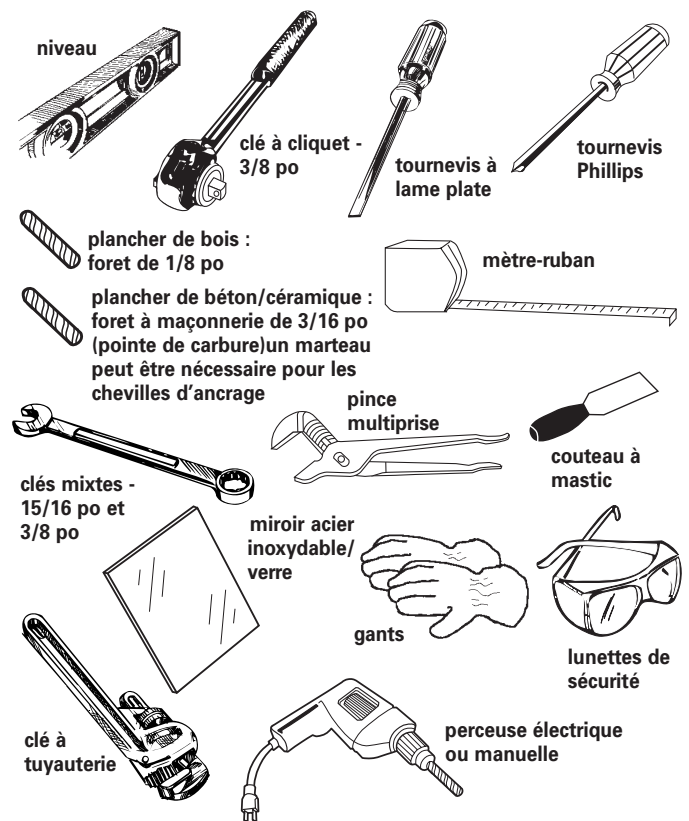
Pièces fournies



Pas représenté :
• brochure
• gicleurs, pour gaz

Fixer solidement la bride au sous-plancher. L'épaisseur du revêtement de sol peut nécessiter l'emploi de vis plus longues. Acheter des vis plus longues dans une quincaillerie locale.

Outillage nécessaire



Autres articles nécessaires :

- robinet d'arrêt pour canalisation de gaz
- raccord fileté 1/2 po pour connexion sur le détendeur
- composé d'étanchéité des filetages, résistant au propane
- conduit de raccordement métallique flexible (homologation A.G.A. ou CSA) ou rigide, de 120-150 cm (4 à 5 pi)
- panneau isolé ou planche de contreplaqué de 1/4 po si la cuisinière doit être installée sur un tapis

Installation électrique

⚠ AVERTISSEMENT



Risque de choc électrique

Brancher l'appareil sur une prise de courant à trois alvéoles reliée à la terre.

Ne pas enlever la broche de liaison à la terre.

Ne pas utiliser un adaptateur.

Le non-respect de ces instructions peut susciter un accident mortel, un incendie ou un choc électrique..

Si lorsque les codes le permettent un conducteur distinct de liaison à la terre est utilisé, il est recommandé qu'un électricien qualifié vérifie la qualité de la liaison à la terre.

Ne jamais utiliser une canalisation de gaz pour la liaison électrique à la terre.

Consulter un électricien qualifié en cas de doute au sujet de la liaison à la terre de la cuisinière.

L'appareil doit être alimenté uniquement par un circuit électrique 120 VCA, 60 Hz, protégé par un fusible de 10 A. On recommande l'emploi d'un fusible temporisé ou d'un disjoncteur. On recommande que cet appareil soit alimenté par un circuit indépendant, n'alimentant que cet appareil.

Le système d'allumage électronique fonctionne dans une fourchette de tensions assez large, mais il faut que l'appareil soit convenablement relié à la terre et que la polarité soit respectée. Vérifier que la prise de courant électrique est correctement reliée à la terre. Demander également à un électricien qualifié de vérifier que la polarité de la prise de courant est correcte.

Important : Cette cuisinière est équipée d'un système d'allumage électronique qui ne fonctionnera pas si elle est branchée sur une prise qui n'est pas bien polarisée.

Un schéma de câblage est apposé à l'arrière de la cuisinière.

Pour l'emplacement recommandé pour la prise de courant électrique, voir la page 3 « Dimensions de l'espace d'installation ».

Méthode recommandée de liaison à la terre

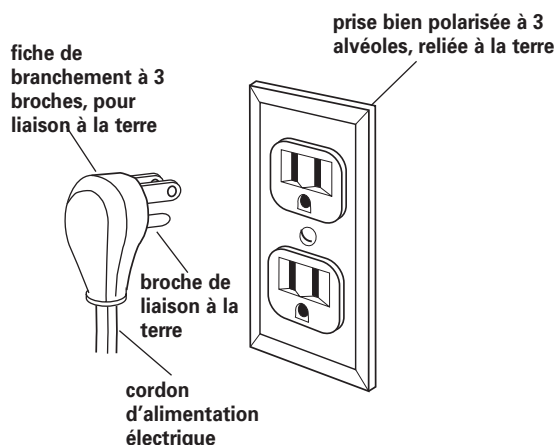
Pour la sécurité des utilisateurs, cet appareil doit être relié à la terre. Cet appareil est équipé d'un cordon d'alimentation doté d'une fiche de branchement à 3 broches, pour liaison à la terre. Pour minimiser le risque de choc électrique, le cordon doit être branché sur une prise de courant murale correspondante, à 3 alvéoles, reliée à la terre, conformément aux dispositions de l'édition la plus récente du Code national des installations électriques ANSI/NFPA 70* ou la norme de l'ACNOR C22.1 du Code canadien de l'électricité 1ère partie**, et de tous les codes et règlements locaux en vigueur.

Si une prise d'accouplement n'est pas disponible, le client a la responsabilité et l'obligation personnelles de faire installer une prise bien polarisée, à 3 alvéoles reliée à la terre.

On peut se procurer un exemplaire des normes mentionnées aux adresses suivantes :

* National Fire Protection Association
One Batterymarch Park
Quincy, Massachusetts, 02269

** CSA International
8501 East Pleasant Valley Road
Cleveland, Ohio 44131-5575



Alimentation en gaz

⚠️ AVERTISSEMENT



Risque d'explosion

Utiliser un conduit (neuf) de raccordement à la canalisation de gaz approuvé par CSA.

Installer un robinet d'arrêt.

Bien serrer chaque raccord de connexion du circuit de gaz.

Si l'appareil est relié à une canalisation de propane, demander à une personne qualifiée de vérifier que la pression de gaz ne dépasse pas 13 po (colonne d'eau).

(Personnes qualifiées = personnel compétent d'un fournisseur d'équipement de chauffage, d'une compagnie de distribution de gaz, ou d'une entreprise d'entretien agréée).

Le non-respect de ces instructions peut causer un accident mortel, une explosion ou un incendie.

Observer les dispositions de tous les codes et règlements en vigueur.

L'installation réalisée selon ces instructions doit être conforme aux dispositions des codes et règlements locaux.

En l'absence d'un code local, l'installation doit être conforme aux dispositions de la plus récente édition de la norme American National Standard, National Fuel Gas Code ANSI Z223.1* ou de la norme CAN/CGA-B149*.

La capacité thermique indiquée sur la plaque signalétique correspond à une altitude inférieure à 610 m (2000 pi) ou moins. Si l'appareil doit être installé à une altitude plus élevée, consulter la compagnie de service locale.

Type de gaz : La conception de cette cuisinière est homologuée par CSA International pour l'alimentation au gaz naturel, ou pour l'alimentation au propane après une conversion appropriée. Cette cuisinière a été réglée à l'usine pour l'alimentation au gaz naturel. Les instructions concernant la conversion sont présentées aux pages 12-14. Le type de gaz à utiliser est indiqué sur la plaque signalétique - placée sur le châssis derrière le tiroir de remisage, ou sur la porte du gril. Si le type de gaz disponible ne correspond pas à l'indication de la plaque signalétique, consulter le fournisseur de gaz local. **Toute conversion doit être exécutée par un technicien qualifié.**

On peut se procurer des exemplaires des normes indiquées aux adresses suivantes :

* CSA International
8501 East Pleasant Valley Road
Cleveland, Ohio 44131-5575

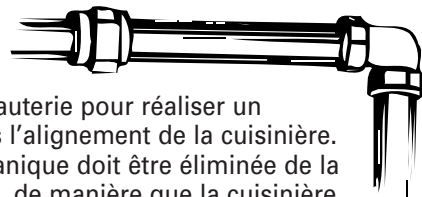
Canalisation d'arrivée de gaz : Acheminer la canalisation de gaz de 3/4 po jusqu'à l'emplacement d'installation de la cuisinière. Pour le propane, utiliser des tuyaux ou tubes d'au moins 1/2 po. Une canalisation de diamètre plus petit ou de plus grande longueur peut ne pas permettre un débit de gaz suffisant. Généralement le fournisseur de propane spécifie la taille et les matériaux à utiliser pour la réalisation du système.

On doit appliquer sur les filetages mâles seulement un composé d'étanchéité compatible avec le propane.

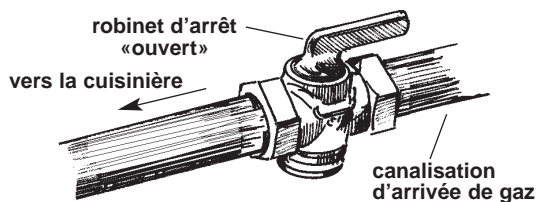


Conduit de raccordement métallique flexible : Si ceci est permis par le code local en vigueur, on recommande de raccorder la cuisinière à la canalisation de gaz au moyen d'un conduit de raccordement métallique flexible (homologation CSA) de diamètre interne 1/2 ou 3/4 po. Un filetage mâle de 1/2 po est nécessaire pour la connexion sur le raccord femelle du détendeur. **Veiller à ne pas écraser, déformer ou endommager le conduit flexible lors d'un déplacement de l'appareil.**

Tuyauterie de gaz rigide : Utiliser



une combinaison de raccords de tuyauterie pour réaliser un raccordement dans l'alignement de la cuisinière. Toute tension mécanique doit être éliminée de la canalisation de gaz, de manière que la cuisinière demeure horizontale et alignée.



Robinet d'arrêt : La canalisation d'arrivée de gaz devra comporter un robinet d'arrêt homologué. Ce robinet d'arrêt devrait être situé dans la même pièce que la cuisinière, à un emplacement permettant un accès aisé pour les manoeuvres d'ouverture et de fermeture. Le robinet d'arrêt permet d'interrompre l'alimentation à gaz de l'appareil. Ne pas entraver l'accès au robinet d'arrêt.

Détendeur : On doit utiliser le détendeur fourni avec cette cuisinière. La pression du gaz à l'entrée du détendeur doit être comme suit :

GAZ NATUREL :

Pression minimale : 5 po (colonne d'eau)
Pression maximale : 14 po (colonne d'eau)

PROPANE :

Pression minimale : 11 po (colonne d'eau)
Pression maximale : 14 po (colonne d'eau)

En cas d'incertitude quant à la pression d'alimentation, consulter le fournisseur de gaz local.

Test sous pression relative supérieure à 3,5 kPa (1/2 lb/po²) - 35,6 cm/14 po (colonne d'eau)

La cuisinière et son robinet d'arrêt individuel doivent être déconnectés de la canalisation de gaz au cours des tests du circuit d'alimentation à une pression relative supérieure à 3,5 kPa (1/2 lb/po²)

Test sous pression relative de 3,5 kPa (1/2 lb/po²) - 35,6 cm/14 po (colonne d'eau) - ou moins

La cuisinière doit être isolée de la canalisation de gaz par fermeture du robinet d'arrêt individuel au cours des tests du circuit d'alimentation sous une pression égale ou inférieure à 3,5 kPa (1/2 lb/po²).

D

Brancher la fiche du cordon d'alimentation sur une prise de courant reliée à la terre.

E

Contrôler la taille des flammes sur les brûleurs

E

Contrôler la taille des flammes du brûleur du gril

D

Réaliser un raccordement adéquat à la canalisation de gaz

A

Enlever les matériaux d'emballage.

Retirer du four les grilles et le sachet de pièces.

E

Contrôler la taille des flammes du brûleur du four

B

Installer la bride antibasculement

C

Établir l'aplomb de la cuisinière

C

Immobiliser la cuisinière avec la bride antibasculement

D

Réinstaller le tiroir de remisage

Étapes de l'installation

A Préparation

⚠ AVERTISSEMENT

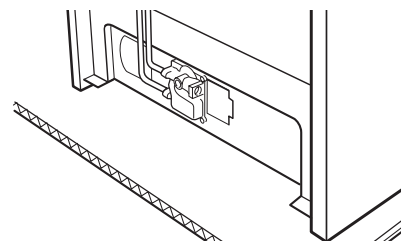
Danger - Poids excessif

Deux personnes ou plus doivent participer aux manutentions lors de l'installation de la cuisinière.

Le non-respect de cette instruction peut susciter une blessure au dos ou d'autres blessures.

1. Porter des lunettes de sécurité et des gants de protection. Ne pas prendre prise sur la poignée de la porte pour soulever ou déplacer la cuisinière.

2. Retirer du four les grilles et le paquet de pièces qui y ont été placés. Enlever également matériaux d'emballage, rubans adhésifs et film de protection.



3. Laisser le panneau de carton de l'emballage sous la cuisinière pour protéger le revêtement de sol.

base de carton de l'emballage

B Bride antibasculement – installation

⚠ AVERTISSEMENT



Risque de basculement

Un enfant ou un adulte peut faire basculer la cuisinière, et ceci peut provoquer des blessures graves ou mortelles.

Fixer la bride antibasculement sur le plancher pour qu'elle accroche le pied arrière de la cuisinière.

Réinstaller la bride antibasculement après un déplacement de l'appareil.

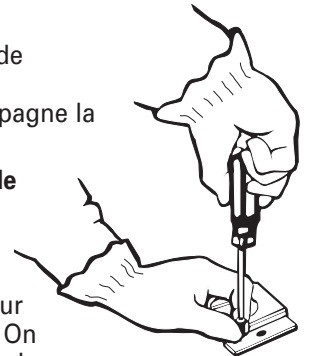
Le non-respect de ces instructions peut susciter un accident mortel ou de graves brûlures pour un enfant ou un adulte.

Consulter un installateur qualifié de revêtements de sol au sujet de la méthode de perçage des trous de montage dans le revêtement de sol.

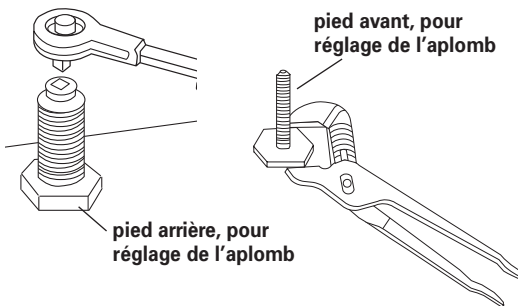
4. Pour l'installation de la bride antibasculement, voir la fiche d'instructions/ gabarit qui accompagne la bride.

On doit solidement ancrer la bride antibasculement au sol.

Selon l'épaisseur du revêtement de sol, il peut être nécessaire d'utiliser des vis plus longues pour ancrer la bride au sous-plancher. On peut acheter ces vis plus longues dans une quincaillerie locale.



C Position de service

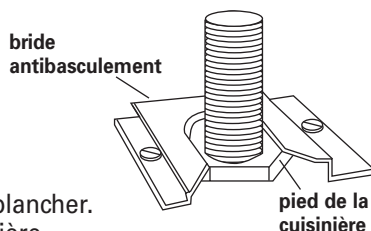


5. Enlever le panneau de carton de l'emballage qui a été laissé sous la cuisinière. Enlever le tiroir de remisage. Avec une clé à cliquet à prise de 3/8 po, dévisser les pieds arrière d'un demi-tour (abaissement). Avec une pince multiprise, dévisser les pieds avant d'un demi-tour (abaissement).

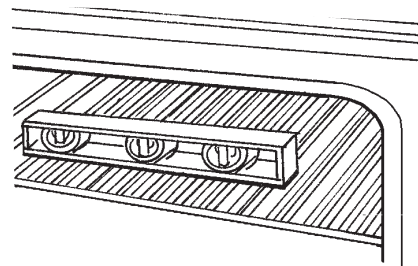
Avant de déplacer la cuisinière sur le sol, vérifier que la cuisinière repose toujours sur le panneau de carton de l'emballage, pour ne pas endommager le revêtement de sol.

6. Vérifier que la bride antibasculement est installée :

- Vérifier que la bride antibasculement est solidement fixée au plancher.
- Faire glisser la cuisinière jusqu'à son emplacement final; veiller à ce que le pied arrière s'engage dans la bride antibasculement. Réinstaller le tiroir de remisage.



7. Si la cuisinière est installée dans une résidence mobile, on DOIT la fixer au sol. Toute méthode de fixation est adéquate si elle satisfait les prescriptions de la norme de construction/sécurité des résidences préfabriquées (voir page 4).



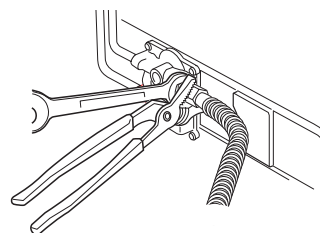
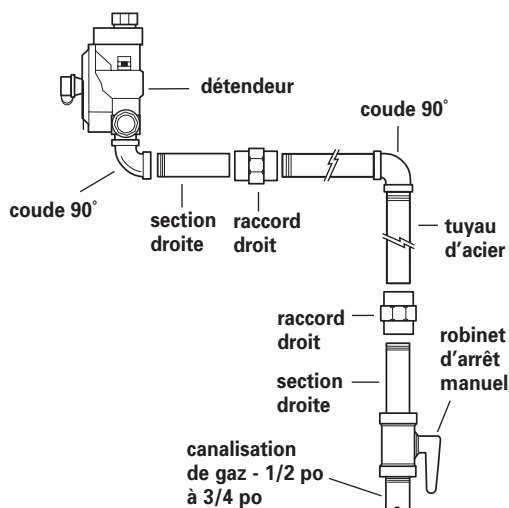
8. Placer la grille dans le four. Avec un niveau, contrôler l'aplomb transversalement, puis dans le sens avant arrière. Si la cuisinière n'est pas parfaitement d'aplomb, tirer la cuisinière vers l'avant jusqu'à ce que le pied arrière se dégage de la bride antibasculement. Avec une clé à cliquet à prise de 3/8 po et une pince multiprise, ajuster la hauteur des pieds pour établir l'aplomb correct de la cuisinière. Repousser la cuisinière jusqu'à sa position de service. Vérifier que le pied arrière est engagé sous la bride antibasculement.

Note : Il faut que la cuisinière soit d'aplomb pour que les résultats de cuisson au four soient satisfaisants.

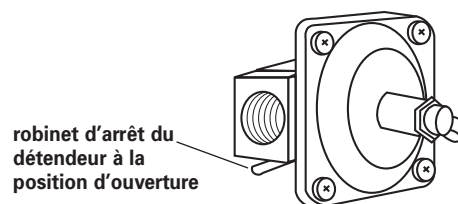
D Raccordements au réseau électrique et à la canalisation de gaz

Utiliser des clés pour serrer toutes les connexions.

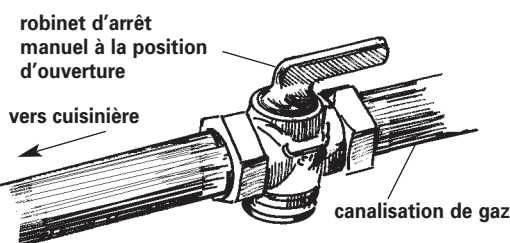
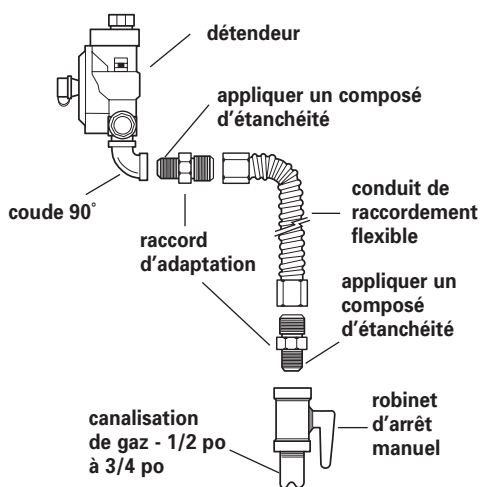
Raccordement typique avec des composants rigides



10. Utiliser une clé de 15/16 po et une pince multiprise pour visser le conduit de raccordement flexible sur les raccords d'adaptation. Veiller à ne pas déformer ou écraser le conduit.



Raccordement typique avec conduit flexible



11. Vérifier que le robinet d'arrêt du détendeur de la cuisinière est à la position d'ouverture ON. Ouvrir le robinet d'arrêt manuel de la canalisation de gaz.

12. Pour rechercher les fuites au niveau des connexions de la canalisation de gaz, utiliser un pinceau et du détergent liquide. La formation de bulles au voisinage d'une connexion indique la présence d'une fuite. En cas de fuite, fermer le robinet d'arrêt et le robinet de commande, et resserrer les connexions. Inspecter de nouveau pour rechercher des fuites. **Ne jamais rechercher des fuites à l'aide d'une allumette ou d'une flamme quelconque.** Nettoyer pour enlever tous les résidus de détergent.

13. Centrer le chapeau de brûleur sur la base de chaque brûleur. Un chapeau de brûleur correctement placé est horizontal. Placer la grille sur chaque brûleur.

14. Brancher le cordon d'alimentation sur une prise de courant reliée à la terre.

Un filetage mâle de 1/2 po est nécessaire pour la connexion sur le raccord femelle du détendeur.

9. Sur les raccords d'adaptation, appliquer un composé d'étanchéité compatible avec le propane. Connecter un raccord d'adaptation sur le coude du détendeur et l'autre sur le robinet d'arrêt de la canalisation de gaz. Serrer les deux raccords d'adaptation.

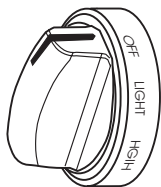
E Contrôle du fonctionnement

Système d'allumage électronique

Les brûleurs de la table de cuisson comportent un dispositif d'allumage électronique au lieu d'une flamme de veille. Lorsque le bouton de commande d'un brûleur est à la position «LIGHT», le système génère des étincelles qui provoquent l'inflammation du gaz qui sort du brûleur. Cette production d'étincelles se poursuit jusqu'à ce que le bouton de commande soit placé à la position de réglage désirée.

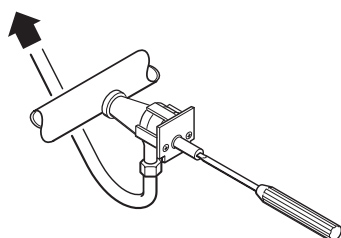
Lorsqu'on tourne le bouton de commande du four à la position désirée, une barre d'allumage devient incandescente (couleur orange) et provoque l'inflammation du gaz. Il n'y a aucune production d'étincelles n'a lieu et la barre d'allumage demeure incandescente pendant le fonctionnement du brûleur.

Contrôle du fonctionnement des brûleurs de la table de cuisson



15. Successivement pour le bouton de commande de chaque brûleur, enfoncer/faire tourner le bouton jusqu'à la position «LIGHT». Le brûleur devrait s'allumer en moins de 4 secondes. Ramener le bouton à la position «HIGH» une fois le brûleur allumé.

Contrôler la configuration des flammèches du brûleur. Le petit cône interne devrait avoir une petite flamme bleue distinctive de 1/4 po à 1/2 po. Le cône externe n'est pas aussi distinct que le cône interne.

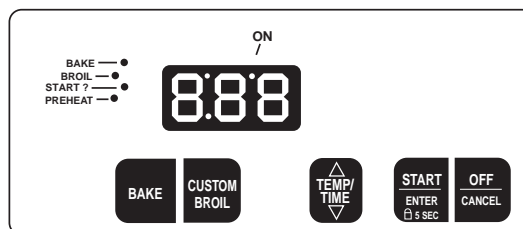


16. Enfoncer/faire tourner rapidement le bouton de commande de chaque brûleur de la position « LIGHT » à la position « LOW ». À la position « LOW », on doit obtenir la plus petite flamme bleue stable. S'il est nécessaire d'ajuster la taille des flammèches, placer le bouton de commande à la position « LOW » et ôter le bouton. Insérer un petit tournevis à lame plate dans la tige du robinet. Faire tourner la vis de réglage pour obtenir les plus petites flammèches qui ne s'éteindront pas lorsqu'on fait passer rapidement le bouton de commande d'un brûleur froid de la position « HIGH » à la position « LOW ». Répéter ce processus pour chaque brûleur nécessitant un réglage.

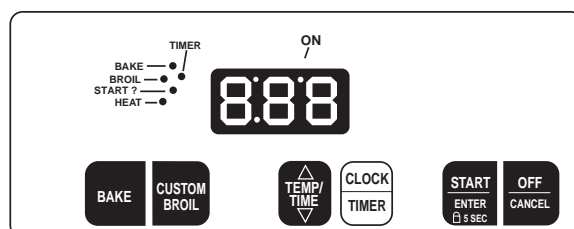
Contrôle du fonctionnement du brûleur du four

17. Ouvrir le tiroir du gril. Suivre les instructions pour votre type de commandes de four.

Si le four comporte le clavier de commande ci-dessous (avec ou sans minuterie) :



A

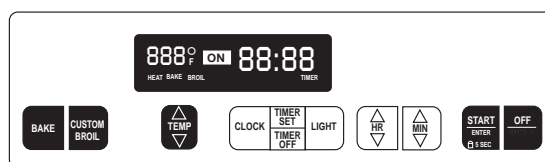


B

Si le four comporte seulement un clavier de commande électronique :

- Appuyer sur la touche « BAKE ».
 - Le témoin « BAKE » s'allume.
 - L'afficheur présente « 350 ».
- Appuyer sur la touche « START/ENTER ».
 - Les témoins « PREHEAT » ou « HEAT » et « ON » apparaissent.
 - Le brûleur du four devrait s'allumer après 50 à 60 secondes; ce délai est normal.** La vanne du four nécessite un certain temps pour s'ouvrir et laisser passer le gaz.

Si le four comporte le clavier de commande électronique ci-dessous :

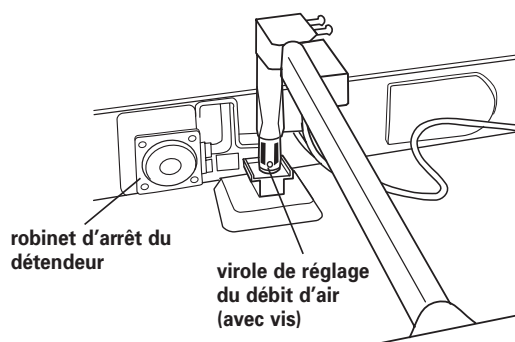


C

- Appuyer sur la touche « BAKE ».
 - Le témoin « BAKE » s'allume.
 - L'afficheur présente « 350 ».
- Appuyer sur la touche « START/ENTER ».
 - L'afficheur présente « PrE » et « 10 :00 ».
 - Les témoins « HEAT » et « ON » s'allument.
 - Le brûleur du four devrait s'allumer après 50 à 60 secondes; ce délai est normal.** La vanne du four nécessite un certain temps pour s'ouvrir et laisser passer le gaz.

Pour éviter d'endommager les dispositifs d'allumage, n'insérer aucun objet dans les ouvertures des gaines de protection qui entourent le dispositif d'allumage, et ne pas nettoyer cette zone.

18. Contrôler la taille des flammèches du brûleur du four. Le brûleur devrait produire des flammèches de 1/2 po avec un cône interne bleu-vert et une zone externe bleu foncé; les flammèches doivent être nettement formées et d'apparence souple. On ne devrait pas observer de pointes jaunes, soufflage, ou séparation entre flamme et brûleur. **Si le brûleur ne s'allume pas, vérifier que le robinet d'arrêt du détendeur est à la position d'ouverture (voir étape 11).**



S'il est nécessaire d'ajuster la taille des flammèches dans le four :

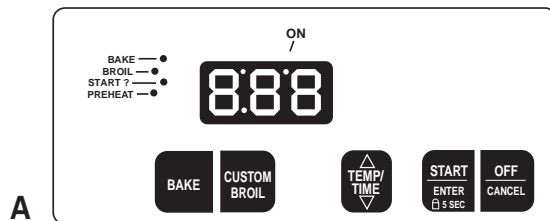
Identifier la virole de réglage du débit d'air, près du détendeur. Desserrer la vis et positionner la virole pour obtenir la configuration désirée des flammèches. Resserrer la vis.

19. Appuyer sur la touche « ON/CANCEL ».

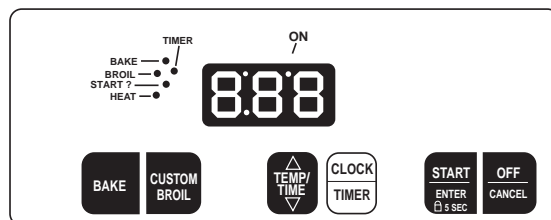
Contrôle du fonctionnement du brûleur du gril

20. Le brûleur du gril et celui du four sont le même brûleur. Suivre les instructions pour votre type de commandes de four.

Si le four comporte le clavier de commande ci-dessous (avec ou sans minuterie) :



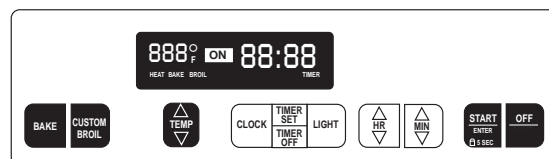
A



B

- Appuyer sur la touche « CUSTOM BROIL ».
 - L'afficheur présente « 525 » ou « HI ».
 - Le témoin « BROIL » s'allume.
- Appuyer sur la touche « START/ENTER ».
 - Les témoins « HEAT » (console B seulement) et « ON » apparaissent.
 - Le brûleur du four devrait s'allumer après 50 à 60 secondes; ce délai est normal.** La vanne du four nécessite un certain temps pour s'ouvrir et laisser passer le gaz.

Si le four comporte le clavier de commande électronique ci-dessous :



C

- Appuyer sur la touche « CUSTOM BROIL ».
 - L'afficheur présente « HI ».
 - Le témoin « BROIL » s'allume.
- Appuyer sur la touche « START/ENTER ».
 - Les témoins « HEAT » et « ON » apparaissent.
 - Le brûleur du four devrait s'allumer après 50 à 60 secondes; ce délai est normal.** La vanne du four nécessite un certain temps pour s'ouvrir et laisser passer le gaz.

21. S'assurer que le brûleur du gril fonctionne.

22. Fermer le tiroir du gril. Appuyer sur la touche « OFF/CANCEL ».

L'installation de cette nouvelle cuisinière est terminée. Pour bénéficier de toute l'efficacité de cette cuisinière, lire attentivement le Guide d'utilisation et d'entretien. Conserver le guide et les instructions d'installation en lieu sûr pour pouvoir facilement les consulter. Grâce à ces instructions, il sera possible de réinstaller la cuisinière tout aussi facilement dans une autre résidence après un déménagement.

Conversions pour l'utilisation d'un autre gaz

Toute opération de conversion (remplacement du gaz naturel par le gaz propane, ou inversement) doit être effectuée par un installateur qualifié.

⚠️ AVERTISSEMENT

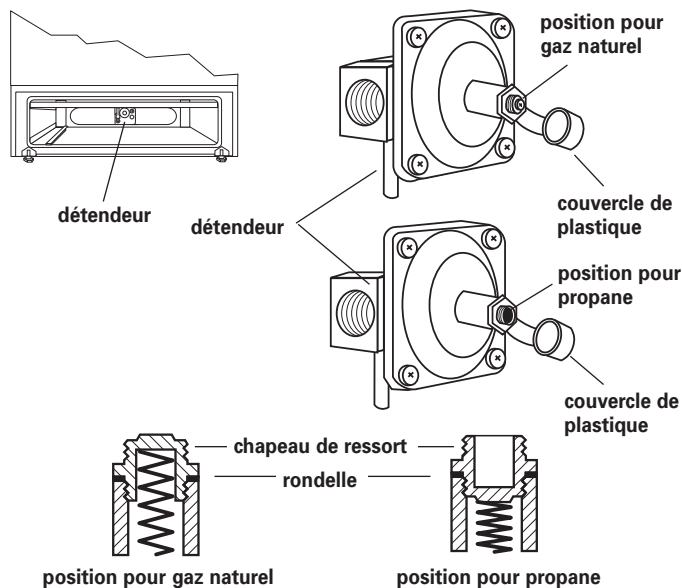


Risque d'incendie

Fermer le robinet d'arrêt de la canalisation de gaz.
Exécuter toutes les opérations de conversion avant de rétablir l'alimentation en gaz.
Le non-respect de ces instructions peut entraîner explosion, incendie ou dommages corporels.

Conversion pour l'alimentation au propane

1. Avant d'entreprendre la conversion de la cuisinière pour l'alimentation au propane, consulter les instructions des sections A-C (pages 7-8). **Vérifier que le robinet d'arrêt de la canalisation de gaz a été fermé et que le cordon d'alimentation est débranché de la prise de courant.**



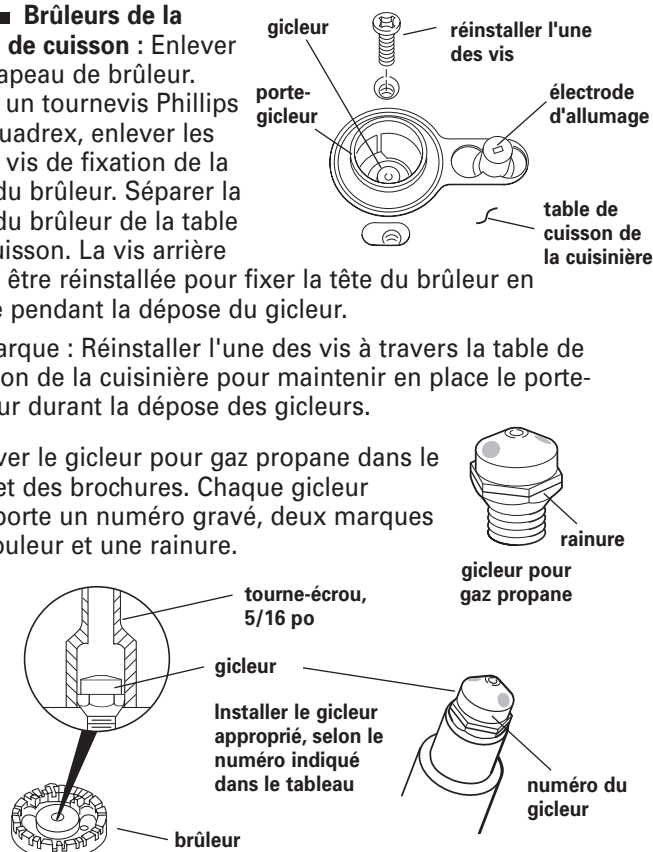
NE PAS ENLEVER LE DÉTENDEUR

2. Détendeur : Retirer le tiroir de brûleur du gril, et identifier le détendeur à l'arrière de la cuisinière. Ôter le couvercle de plastique. Enlever la pièce centrale marquée « N » à l'avant du détendeur (rotation dans le sens antihoraire, avec une clé). **Ne pas toucher au ressort placé sous cette pièce.** Inverser l'orientation de ce chapeau de ressort, puis réinstaller le chapeau sur le détendeur – les lettres L.P. seront alors visibles. Réinstaller le couvercle de plastique.

3. Brûleurs de la table de cuisson : Enlever le chapeau de brûleur. Avec un tournevis Phillips ou Quadrex, enlever les deux vis de fixation de la tête du brûleur. Séparer la tête du brûleur de la table de cuisson. La vis arrière DOIT être réinstallée pour fixer la tête du brûleur en place pendant la dépose du gicleur.

Remarque : Réinstaller l'une des vis à travers la table de cuisson de la cuisinière pour maintenir en place le porte-gicleur durant la dépose des gicleurs.

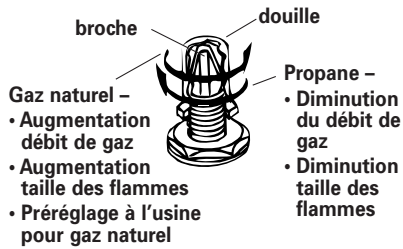
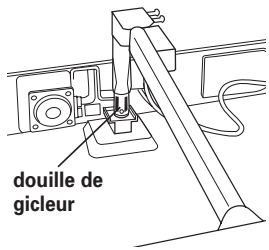
Trouver le gicleur pour gaz propane dans le sachet des brochures. Chaque gicleur comporte un numéro gravé, deux marques de couleur et une rainure.



| Propane | | | |
|---------------------|--------------------------------------|-------------------|--------------------|
| Position du brûleur | Débit thermique pour propane (BTU/h) | Numéro du gicleur | Marques de couleur |
| Arrière gauche | 8 000 | L80 | Vert/blue clair |
| Avant gauche | 11 000 | L99 | Vert/jaune |
| Arrière droit | 8 000 | L80 | Vert/blue clair |
| Avant droit | 5 000 | L65 | Vert/marron |

Il y a un gicleur de laiton au centre de chaque brûleur, environ 2 po au-dessous de la surface de la table de cuisson. Appliquer du ruban adhésif à l'extrémité d'un tourne-écrou de 5/16 po pour qu'il enveloppe étroitement le gicleur. Placer l'outil sur le gicleur du brûleur avant/gauche; tourner dans le sens antihoraire pour dévisser le gicleur, puis retirer le gicleur. Installer à la place du gicleur pour gaz naturel le gicleur approprié pour propane indiqué dans le tableau.

Remplacer successivement les gicleurs des autres brûleurs, un à la fois. Placer les gicleurs pour gaz naturel dans le sachet de plastique pour pouvoir les réutiliser ultérieurement; conserver les gicleurs avec les brochures. Réinstaller les chapeaux de brûleur au moyen des vis, et les grilles de brûleur.



4. Brûleur du four : Avec une clé de 1/2 po, faire descendre la douille de gicleur jusqu'au contact de la broche (environ 2 à 2 1/2 tours). **NE PAS SERRER EXCESSIVEMENT.** On ne peut effectuer un réglage correct des flammes du brûleur si cette opération n'est pas exécutée.

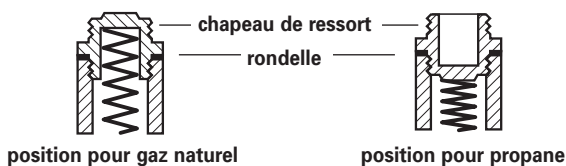
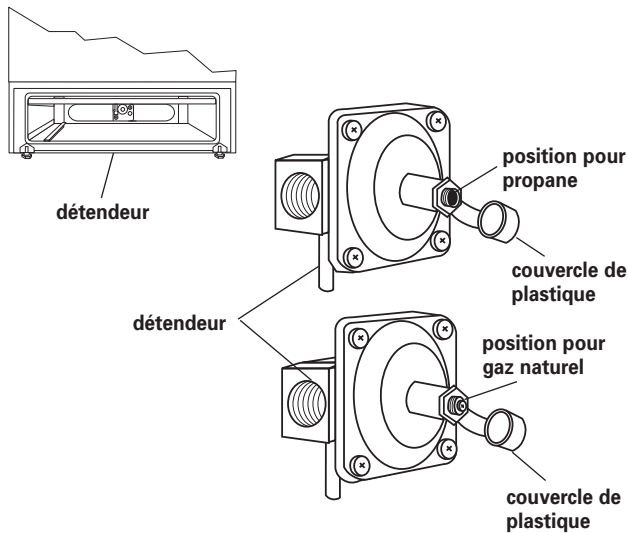
5. Réinstaller le tiroir de brûleur du grill. Exécuter les opérations décrites aux section E, pages 10-11. **Il est très important de vérifier le réglage correct des flammes des brûleurs du four et de la table de cuisson.**

ON DOIT EFFECTUER L'AJUSTEMENT DES FLAMMES POUR LA POSITION « LOW » DE CHAQUE BRÛLEUR DE LA TABLE DE CUISSON. VOIR ÉTAPE 16, PAGE 10.

Le petit cône interne devrait avoir une petite flamme bleue distincte de 1/4 po à 1/2 po. Le cône externe n'est pas aussi distinct que le cône interne. La pointe des flammèches de propane peut être légèrement jaune. Si on observe une combustion bruyante ou un soufflage, le débit d'air est trop élevée. Si les flammèches se déforment facilement, le brûleur ne reçoit pas suffisamment d'air.

Conversion pour l'alimentation au gaz naturel

1. Avant d'entreprendre la conversion de la cuisinière pour l'alimentation au gaz naturel, consulter les instructions des sections A-C (pages 7-8). **Vérifier que le robinet d'arrêt de la canalisation de gaz a été fermé et que le cordon d'alimentation est débranché de la prise de courant.**



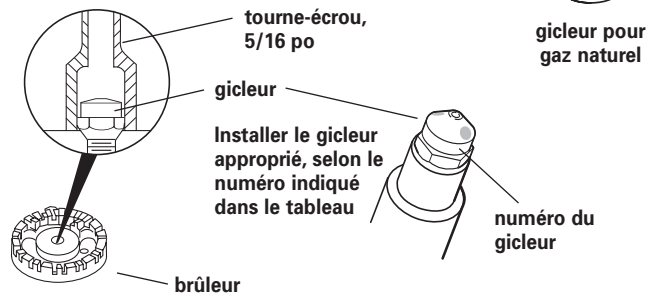
NE PAS ENLEVER LE DÉTENDEUR

2. Détendeur : Retirer le tiroir de brûleur du grill, et identifier le détendeur à l'arrière de la cuisinière. Ôter le couvercle de plastique. Enlever la pièce centrale marquée « LP » à l'avant du détendeur (rotation dans le sens antihoraire, avec une clé). Ne pas toucher au ressort placé sous cette pièce. Inverser l'orientation de ce chapeau de ressort, puis réinstaller le chapeau sur le détendeur – la lettre N. sera alors visible. Réinstaller le couvercle de plastique.

3. Brûleurs de la table de cuisson : Enlever le chapeau de brûleur. Avec un tournevis Phillips ou Quadrex, enlever les deux vis de fixation de la tête du brûleur. Séparer la tête du brûleur de la table de cuisson. La vis arrière DOIT être réinstallée pour fixer la tête du brûleur en place pendant la dépose du gicleur.

Remarque : Réinstaller l'une des vis à travers la table de cuisson de la cuisinière pour maintenir en place le porte-gicleur durant la dépose des gicleurs.

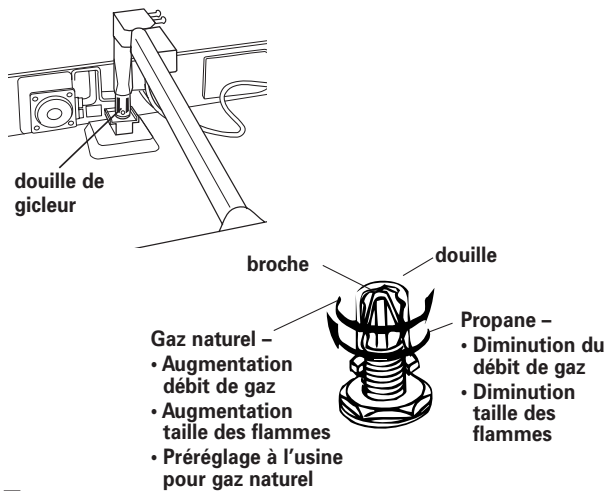
Trouver le gicleur pour gaz naturel dans le sachet des brochures. Chaque gicleur comporte un numéro gravé et deux marques de couleur.



| Gaz naturel | | | |
|---------------------|--------------------------------------|-------------------|--------------------|
| Position du brûleur | Débit thermique pour propane (BTU/h) | Numéro du gicleur | Marques de couleur |
| Arrière gauche | 8 000 | N139 | Bleu/noir |
| Avant gauche | 12 000 | N176 | Bleu/rouge |
| Arrière droit | 9 500 | N151 | Bleu/jaune laiton |
| Avant droit | 5 000 | N112 | Bleu/blanc |

Il y a un gicleur de laiton au centre de chaque brûleur, environ 2 po au-dessous de la surface de la table de cuisson. Appliquer du ruban adhésif à l'extrémité d'un tourne-écrou de 5/16 po pour qu'il enveloppe étroitement le gicleur. Placer l'outil sur le gicleur du brûleur avant/gauche; tourner dans le sens antihoraire pour dévisser le gicleur, puis retirer le gicleur. Installer à la place du gicleur pour propane le gicleur approprié pour gaz naturel indiqué dans le tableau.

Remplacer successivement les gicleurs des autres brûleurs, un à la fois. Placer les gicleurs pour gaz naturel dans le sachet de plastique pour pouvoir les réutiliser ultérieurement; conserver les gicleurs avec les brochures. Réinstaller les chapeaux de brûleur au moyen des vis, et les grilles de brûleur.



4. **Brûleur du four :** Avec une clé de 1/2 po, faire monter la douille de gicleur pour l'écarter de la broche (environ 2 à 2-1/2 tours). On ne peut effectuer un réglage correct des flammes du brûleur si cette opération n'est pas exécutée.

5. Réinstaller le tiroir de brûleur du grill. Exécuter les opérations décrites aux section E, pages 10-11. **Il est très important de vérifier le réglage correct des flammes des brûleurs du four et de la table de cuisson.**

ON DOIT EFFECTUER L'AJUSTEMENT DES FLAMMES POUR LA POSITION « LOW » DE CHAQUE BRÛLEUR DE LA TABLE DE CUISSON. VOIR ÉTAPE 16, PAGE 10.

Les flammèches de gaz naturel ne comportent pas de pointe jaune.

Si la table de cuisson ne fonctionne pas :

Vérifier ce qui suit :

- Fusible grillé ou disjoncteur ouvert?
- Cordon d'alimentation correctement branché sur la prise de courant?
- Robinet de gaz ouvert (position « ON »)?
- Consulter le guide d'utilisation et d'entretien – section diagnostic/dépannage

Si une assistance est nécessaire :

Pour toute question concernant l'utilisation, le nettoyage ou l'entretien de la table de cuisson :

- Consulter le Guide d'utilisation et d'entretien
- Contacter le Centre d'assistance à la clientèle. Pour obtenir le numéro d'appel sans frais, consulter le Guide d'utilisation et d'entretien ou contacter le magasin où l'appareil a été acheté. On peut trouver les noms et adresses des établissements de vente agréés dans l'annuaire local Pages jaunes à la rubrique «Appareils électroménagers – Gros – Vente et service ».

Si vous avez besoin de services de réparation...

Pour préserver la qualité incorporée dans cette cuisinière, confier les travaux à un établissement de service après-vente agréé.

Pour obtenir le nom et l'adresse d'un établissement de service après-vente agréé :

- contacter le magasin où l'appareil a été acheté
- consulter l'annuaire local Pages jaunes à la rubrique «Appareils électroménagers – Gros – Vente et service ».
- téléphoner au Centre d'assistance à la clientèle; pour trouver le numéro d'appel sans frais, consulter le Guide d'utilisation et d'entretien

Lors de la prise de contact, le client doit communiquer

- le numéro de modèle, et
- le numéro de série de l'appareil.

Ces numéros figurent sur la plaque signalétique, située sur le châssis, derrière le tiroir de remisage.

Déplacement de la cuisinière :

⚠ AVERTISSEMENT



Risque de basculement

Un enfant ou un adulte peut faire basculer la cuisinière, et ceci peut provoquer des blessures graves ou mortelles.

Fixer la bride antibasculement sur le plancher pour qu'elle accroche le pied arrière de la cuisinière.

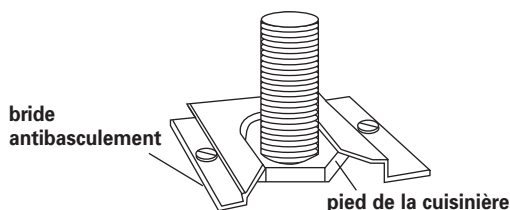
Réinstaller la bride antibasculement après un déplacement de l'appareil.

Le non-respect de ces instructions peut susciter un accident mortel ou de graves brûlures pour un enfant ou un adulte.

Avant de déplacer la cuisinière, placer celle-ci sur un panneau de carton ou de contreplaqué pour ne pas endommager le revêtement de sol.

S'il est nécessaire de déplacer la cuisinière pour des opérations de nettoyage ou d'entretien :

1. Enlever le tiroir de remisage
2. Fermer l'arrivée de gaz
3. Écarter la cuisinière du mur, juste assez pour pouvoir la déconnecter de la canalisation de gaz et de la prise de courant.
4. Faire glisser la cuisinière vers l'avant pour pouvoir exécuter le travail.



5. Vérifier que la bride antibasculement est installée :

- Vérifier que la bride antibasculement est solidement fixée au plancher.
 - Faire glisser la cuisinière jusqu'à son emplacement final; veiller à ce que le pied arrière s'engage dans la bride antibasculement.
6. Contrôler l'aplomb de la cuisinière
 7. Reconnecter la cuisinière à la canalisation de gaz; rechercher les fuites.
 8. Rebrancher la cuisinière sur la prise de courant. Réinstaller le tiroir de remisage