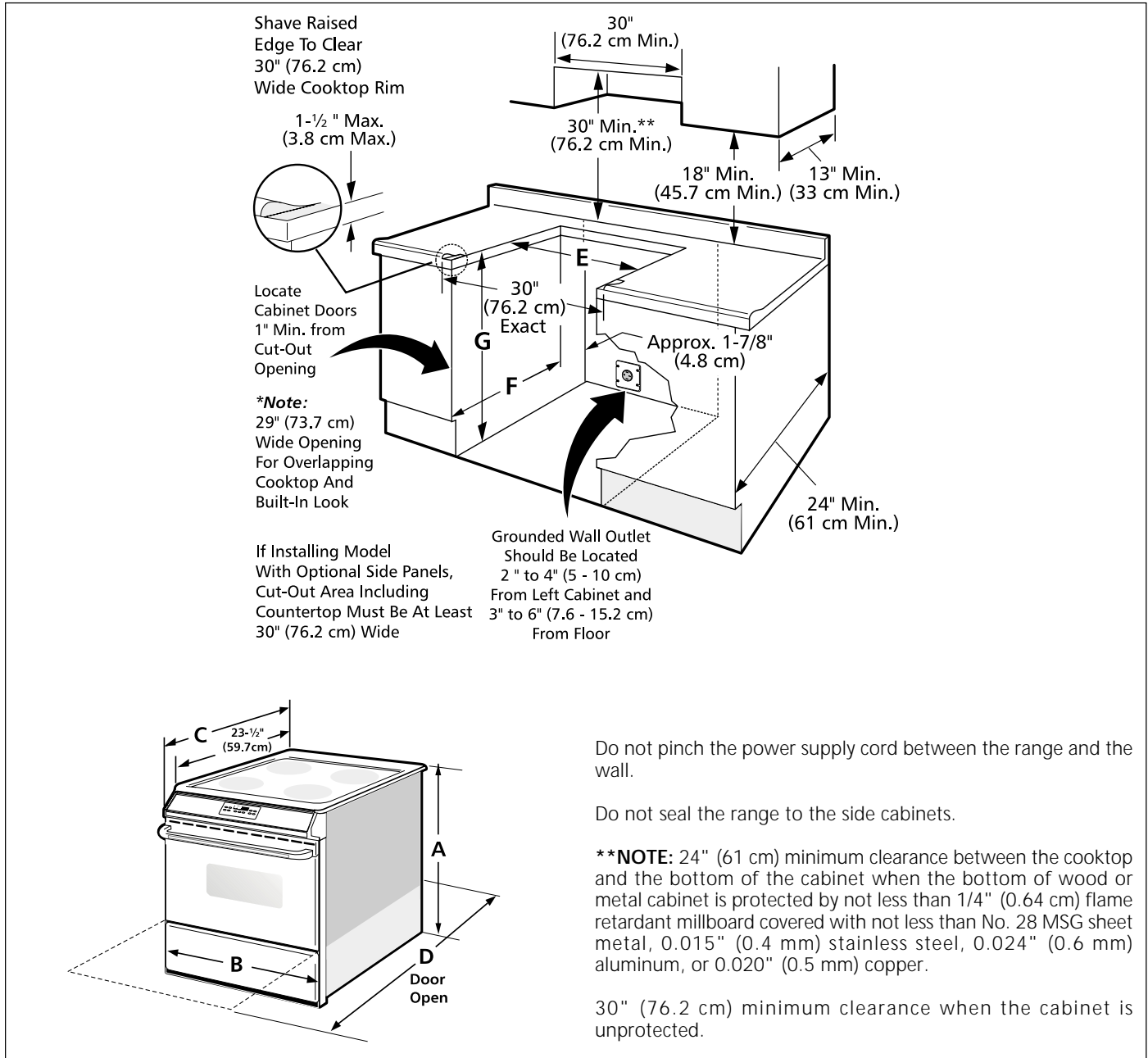


# 30" ELECTRIC SLIDE-IN RANGE INSTALLATION INSTRUCTIONS

**INSTALLATION AND SERVICE MUST BE PERFORMED BY A QUALIFIED INSTALLER.**  
**IMPORTANT: SAVE FOR LOCAL ELECTRICAL INSPECTOR'S USE.**  
**READ AND SAVE THESE INSTRUCTIONS FOR FUTURE REFERENCE.**



A. HEIGHT	B. WIDTH RANGE	C. DEPTH TO FRONT OF DOOR OPEN	D. DEPTH WITH WIDTH	E. MINIMUM CUTOUT DEPTH	F. MINIMUM CUTOUT COUNTERTOP	G. HEIGHT OF
35 3/8 - 36 3/8" (90-92 cm)	30" (76.2 cm)	26 1/4" (66.7 cm)	44 7/8" (114 cm)	29" (73.7 cm)	21 5/8" (55 cm) 35 3/8" (90 cm) min	36" (91.4 cm) standard

F. Minimum Cutout Depth is increased to 24" (61 cm) with backguard.

# 30" ELECTRIC SLIDE-IN RANGE INSTALLATION INSTRUCTIONS

## Important Notes to the Installer

1. Read all instructions contained in these installation instructions before installing range.
2. Remove all packing material from the oven compartments before connecting the electrical supply to the range.
3. Observe all governing codes and ordinances.
4. Be sure to leave these instructions with the consumer.

## Important Note to the Consumer

Keep these instructions with your owner's guide for future reference.

# IMPORTANT SAFETY INSTRUCTIONS

- Be sure your range is installed and grounded properly by a qualified installer or service technician.
- This range must be electrically grounded in accordance with local codes or, in their absence, with the National Electrical Code ANSI/NFPA No. 70—latest edition.
- The installation of appliances designed for manufactured (mobile) home installation must conform with Manufactured Home Construction and Safety Standard, title 24CFR, part 3280 [Formerly the Federal Standard for Mobile Home Construction and Safety, title 24, HUD (part 280)] or when such standard is not applicable, the Standard for Manufactured Home Installation 1982 (Manufactured Home Sites, Communities and Setups), ANSI Z225.1/NFPA 501A—latest edition, or with local codes.
- Make sure the wall coverings around the range can withstand the heat generated by the range.

- Before installing the range in an area covered with linoleum or any other synthetic floor covering, make sure the floor covering can withstand heat at least 90°F above room temperature without shrinking, warping or discoloring. Do not install the range over carpeting unless you place an insulating pad or sheet of 1/4" thick plywood between the range and carpeting.


**⚠ WARNING** Never leave children alone or unattended in the area where an appliance is in use. As children grow, teach them the proper, safe use of all appliances. Never leave the oven door open when the range is unattended.

**⚠ WARNING** Stepping, leaning or sitting on the door or drawer of this range can result in serious injuries and can also cause damage to the range.

- Do not store items of interest to children in the cabinets above the range. Children could be seriously burned climbing on the range to reach items.
- To eliminate the need to reach over the surface units, cabinet storage space above the units should be avoided.
- Do not use the oven as a storage space. This creates a potentially hazardous situation.
- Never use your range for warming or heating the room. Prolonged use of the range without adequate ventilation can be dangerous.
- Do not store or use gasoline or other flammable vapors and liquids near this or any other appliance. Explosions or fires could result.
- Reset all controls to the "off" position after using a programmable timing operation.

## FOR MODELS WITH SELF-CLEAN FEATURE:

- Remove broiler pan, food and other utensils before self-cleaning the oven. Wipe up excess spillage. Follow the precleaning instructions in the Owner's Guide.

	<b>⚠ WARNING</b> <ul style="list-style-type: none"><li>• ALL RANGES CAN TIP.</li><li>• INJURY TO PERSONS COULD RESULT.</li><li>• INSTALL ANTI-TIP DEVICE PACKED WITH RANGE.</li></ul>	<b>⚠ WARNING</b> TO REDUCE THE RISK OF TIPPING OF THE RANGE, THE RANGE MUST BE SECURED BY PROPERLY INSTALLED ANTI-TIP BRACKET(S) PROVIDED WITH THE RANGE. TO CHECK IF THE BRACKET(S) IS INSTALLED PROPERLY, GRASP THE TOP REAR EDGE OF THE RANGE AND CAREFULLY TILT IT FORWARD TO MAKE SURE THE RANGE IS ANCHORED.
---	---	--

# 30" ELECTRIC SLIDE-IN RANGE INSTALLATION INSTRUCTIONS

## Power Supply Cord Kit

The user is responsible for connecting the power supply cord to the connection block located behind the back panel access cover.

This appliance may be connected by means of permanent "hard wiring" (flexible armored or nonmetallic shielded copper cable), or by means of a power supply cord kit. Only a power supply cord kit rated at 125/250 volts minimum, 40 amperes and marked for use with ranges shall be used. Cord must have 3 conductors (see Figure 3).

Mobile home installation, or areas where local codes do not permit grounding through neutral, a 4 conductor power supply cord kit rated at 125/250 volts minimum, 40 amperes and marked for use with ranges should be used (see Figure 4).

Terminals on ends of wires must either be closed loop or open-end spade lugs with upturned ends. Cord must have strain relief clamp.

**⚠ WARNING** Risk of fire or electrical shock may be incurred if an incorrect size range cord kit is used, the Installation Instructions are not followed, or the strain relief bracket is discarded.

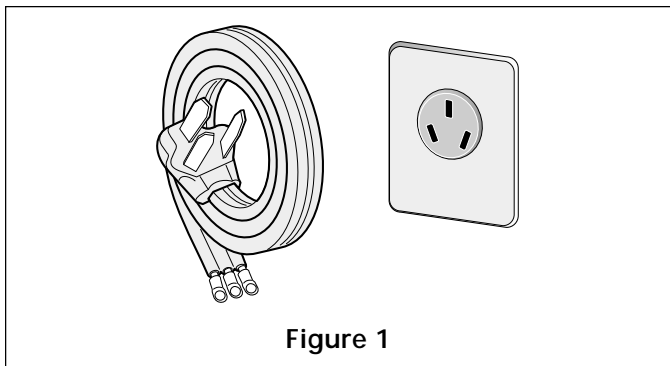


Figure 1

**⚠ CAUTION** Do not loosen nuts, which secure the factory-installed range wiring to terminal block while connecting range. Electrical failure or loss of electrical connection may occur.

## Electrical Connection to the Range

This appliance is manufactured with the neutral terminal connected to the frame.

### 1. Three Conductor Wire Connection to Range If local codes permit connection of the frame grounding conductor to the neutral wire of the copper power supply cord (see Figure 3).

- A. Remove the 3 screws at the lower end of the rear wire cover, then raise the lower end of the rear wire cover (access cover) upward to expose range terminal connection block (see Figure 2).

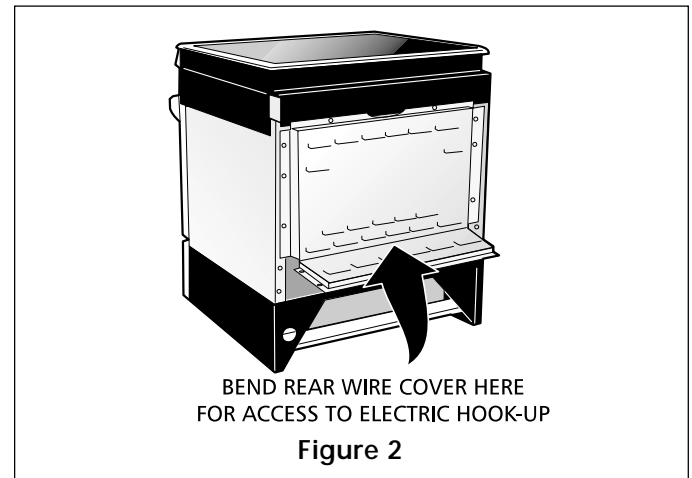


Figure 2

- B. Remove the 3 loose nuts (after you removed the rubber band) on the terminal block using 3/8" nut driver or socket.
- C. Connect the neutral of the copper power supply cord to the center silver-colored terminal of the terminal block, and connect the other wires to the outer terminals. Match wires and terminals by color (red wires connected to the right terminal, black wires connected to the left terminal).
- D. Lower the terminal cover and replace the 3 screws.

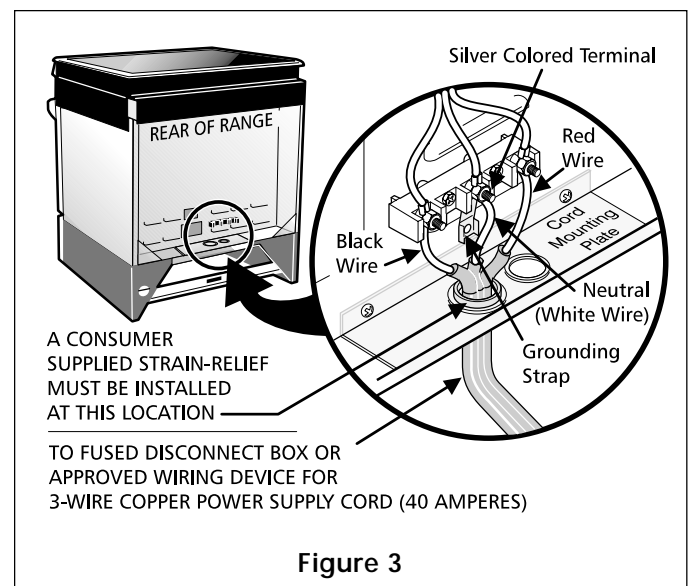
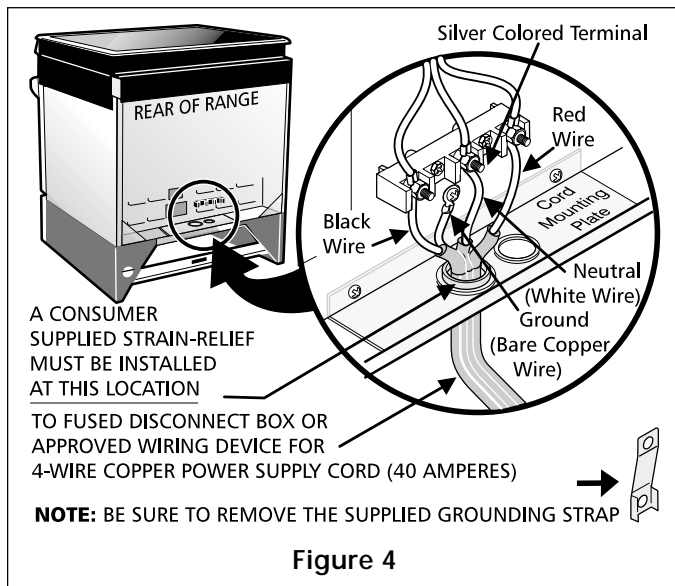


Figure 3

# 30" ELECTRIC SLIDE-IN RANGE INSTALLATION INSTRUCTIONS

## 2. Four Conductor Wire Connection to Range (mobile homes)

- A. Remove the 3 screws at the lower end of the rear wire cover, then raise the lower end of the rear wire cover (access cover) upward to expose range terminal connection block.
- B. Remove the ground strap from the terminal block and from the appliance frame. Retain the ground screw.
- C. Connect the ground wire (green) of the copper power supply cord to the frame of the appliance with the ground screw, using the hole in the frame where the ground strap was removed (see Figure 4).
- D. Connect the neutral (white) wire of the copper power supply cord to the center silver-colored terminal of the terminal block, and connect the other wires to the outer terminals.
- E. Lower the terminal cover and replace the 3 screws.



## Electrical Connection to the Residence Electrical System

The appliance should be connected directly to the fused disconnect or circuit breaker box through flexible, armored or nonmetallic sheathed copper cable (with grounding wire). Locate the junction box to allow 2 to 3 feet of slack in the line so that the range can be moved if servicing is ever necessary. Do not cut the conduit.

A U.L.-listed conduit connector **must** be provided at each end of the power supply cable (at the appliance and at the junction box). Wire sizes (**copper wire only**) and connections must conform with the rating of the appliance.

## WARNING

### Electrical Shock Hazard

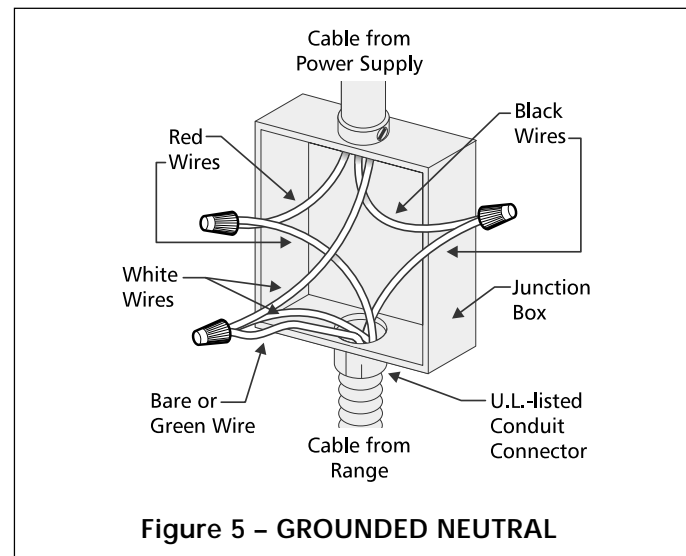
- Electrical ground is required on this appliance.
- Do not connect to the electrical supply until appliance is permanently grounded.
- Disconnect power to the junction box before making the electrical connection.
- This appliance must be connected to a grounded, metallic, permanent wiring system, or a grounding connector should be connected to the grounding terminal or wire lead on the appliance.

Failure to do any of the above could result in a fire, personal injury or electrical shock.

## Grounding Instructions

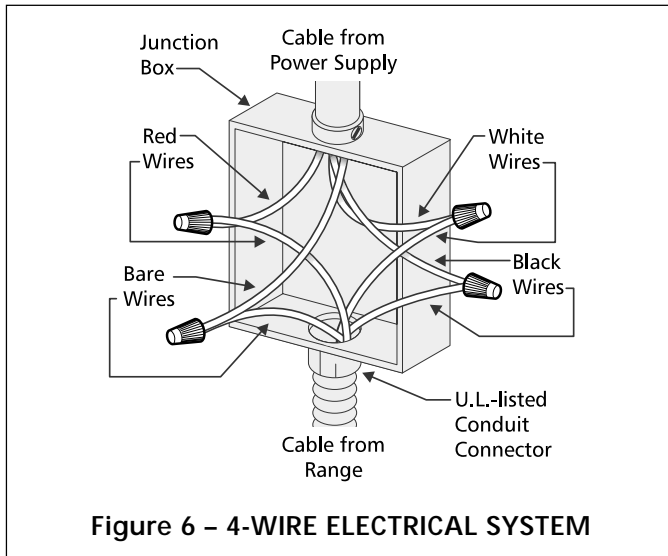
For appliances connected to a junction box, use U.L.-listed conduit connectors. Complete electrical connection according to local codes and ordinances.

1. Where local codes permit connecting the cabinet-grounding conductor to the neutral (white) junction box wire (see Figure 5)
  - A. Disconnect the power supply.
  - B. Connect together the 3 wires: green (bare) and white appliance cable wires and the neutral (white) wire in the junction box.
  - C. Connect the 2 black wires together, then the two red wires together.



# 30" ELECTRIC SLIDE-IN RANGE INSTALLATION INSTRUCTIONS

2. Where local codes DO NOT permit, or if connecting to a 4-wire electrical system, DO NOT connect the cabinet-grounding conductor to the neutral (white) junction box wire (see Figure 6)
  - A. Disconnect the power supply.
  - B. Separate the bare copper and white appliance cable wires.
  - C. Connect the white appliance cable wire to the neutral (white) wire in the junction box.
  - D. Connect the 2 black wires together, then the two red wires together.
  - E. Connect the bare copper grounding wire to the grounding wire in the junction box.



## Cabinet Construction

**CAUTION** To eliminate the risk of burns or fire by reaching over heated surface units, cabinet storage space located above the range should be avoided. If cabinet storage space is to be provided, the risk can be reduced by installing a range hood that projects horizontally a minimum of 5" (12.7 cm) beyond the bottom of the cabinet.

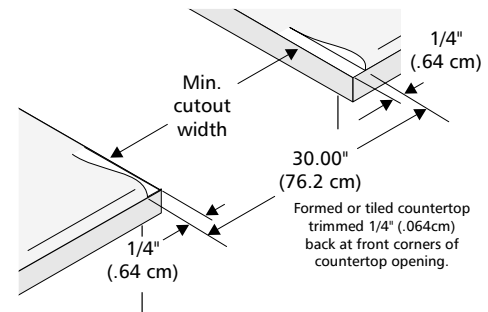
## Countertop Preparation

The cooktop sides of the range fit over the cutout edge of your countertop.

If you have a **square finish (flat) countertop**, no countertop preparation is required.

**Formed front-edged countertops** must have molded edge shaved flat 1/4" (0.64 cm) from each front corner of opening.

**Tile countertops** may need trim cut back 1/4" (0.64 cm) from each front corner and/or rounded edge flattened.



**If the countertop opening width is greater than the minimum cutout width**, adjust the 1/4" (0.64 cm) dimension.

**Countertop must be level.** Place a level on the countertop, first side to side, then front to back. If the countertop is not level, the range will not be level. The oven must be level for satisfactory baking results. Cooktop sides of range fit over edges of countertop opening.

# 30" ELECTRIC SLIDE-IN RANGE INSTALLATION INSTRUCTIONS

## Range Installation

**CAUTION** When unpacking the range, do not discard the 4 shipping bolts. These are to be replaced on the unit for use as leveling legs and height adjustments.

### 1. Installation Without Side Panel(s)

- A. The range cooktop overlaps the countertop at the sides and the range rests on the floor. The cooktop is 30" (76.2 cm) wide.
- B. Install base cabinets 29" (73.7 cm) apart. Make sure they are plumb and level before attaching cooktop. Shave raised countertop edge to clear 30" wide range top rim.
- C. Install cabinet doors 31" (78.7 cm) min. apart so as not to interfere with range door opening.
- D. Cutout countertop exactly as shown on page 1.
- E. A backguard kit can be ordered through your dealer.
- F. Adjust leveling legs so that the underside of the cooktop is sitting on the countertop.
- G. **Level the range. The floor where the range is to be installed must be level** (see Figure 7).

### 2. Installation With Side Panel(s)

- A. Install base cabinets 30 1/8" (76.5 cm) min. apart. Make sure they are plumb and level.
- B. Install cabinet doors 31" (78.7 cm) min. apart so as not to interfere with range door opening.
- c. A backguard kit can be ordered through your dealer.
- D. An end panel kit can be ordered through your dealer.
- E. Level the range and adjust cooktop height.

### 3. Installation With Backguard

The cutout depth of 21 5/8" (55 cm) needs to be increased to 24" (61 cm) when installing a backguard.

## Leveling the Range

**Level the range and set cooktop height before installation in the cut-out opening.**

1. Install an oven rack in the center of the oven.
2. Place a level on the rack. Take 2 readings with the level placed diagonally in one direction and then the other. Level the range, if necessary, by adjusting the 4 leg levelers with a wrench (see Figure 9).
3. Taking care to not damage the countertop, slide range into cut-out opening and double check for levelness. If the range is not level, pull unit out and readjust leveling legs, or make sure floor is level.

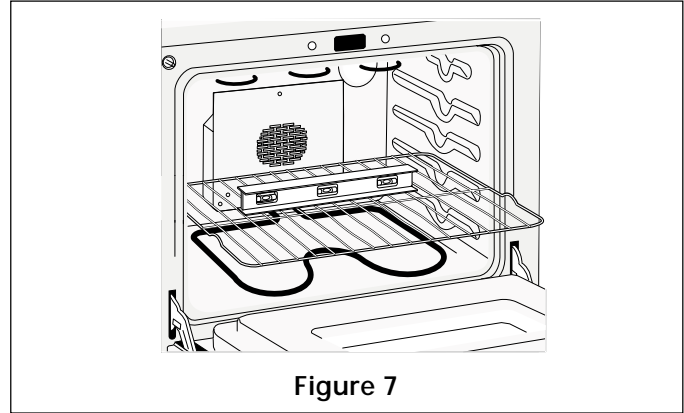


Figure 7

# 30" ELECTRIC SLIDE-IN RANGE INSTALLATION INSTRUCTIONS

## Check Operation

Refer to the Owner's Guide packaged with the range for operating instructions and for care and cleaning of your range.

**CAUTION** Do not touch the elements. They may be hot enough to cause burns.

Remove all packaging from the oven before testing.

### 1. Operation of Surface Elements

Turn on each of the four surface elements and check to see that they heat. Check the surface element indicator light(s), if equipped.

### 2. Operation of Oven Elements

The oven is equipped with an electronic oven control. Each of the functions has been factory checked before shipping. However, it is suggested that you verify the operation of the electronic oven controls once more. Refer to the Owner's Guide for operation. Follow the instructions for the Clock, Timer, Bake, Broil, Convection (some models) and Clean functions.

**Bake**—After setting the oven to 350°F (177°C) for baking, the lower element in the oven should become red.

**Broil**—When the oven is set to BROIL, the upper element in the oven should become red.

**Clean**—When the oven is set for a self-cleaning cycle, the upper element should become red during the preheat portion of the cycle. After reaching the self-cleaning temperature, the lower element will become red.

**Convection (some models)**—When the oven is set to CONV. BAKE/ROAST at 350°F (177°C), both elements cycle on and off alternately and the convection fan will turn. The convection fan will stop turning when the oven door is opened during convection baking or roasting.

**Warmer Drawer (some models)**—Set the control knob to HI and check to see the drawer is heating.

## When All Hookups are Complete

Make sure all controls are left in the OFF position.

## Model and Serial Number Location

The serial plate is located on the oven front frame behind the oven door (some models) or behind the drawer (some models).

When ordering parts for or making inquiries about your range, always be sure to include the model and serial numbers and a lot number or letter from the serial plate on your range.

## Before You Call for Service

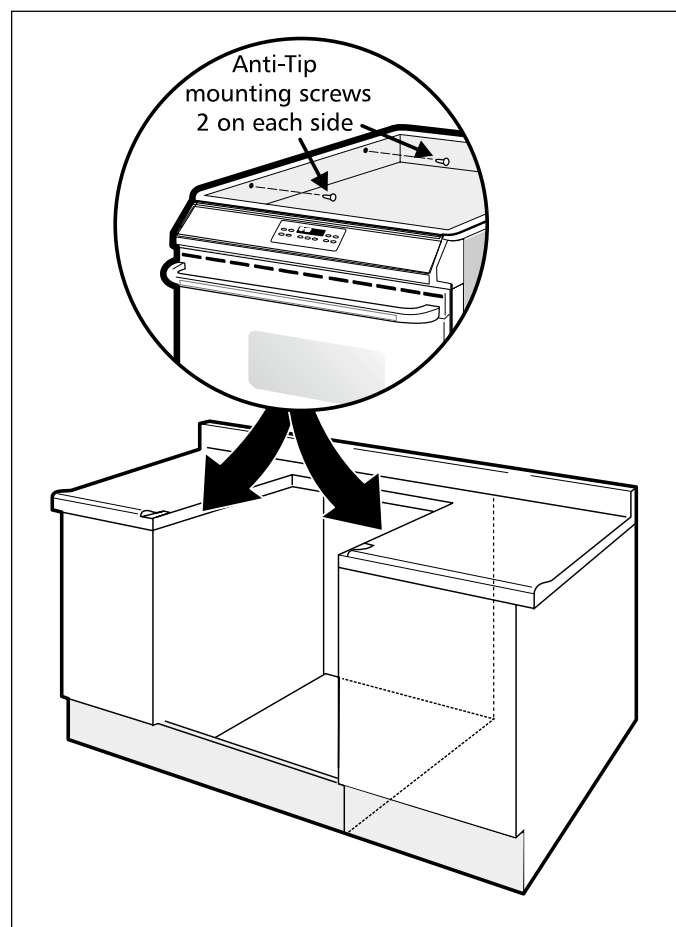
Read the Avoid Service Checklist and operating instructions in your Owner's Guide. It may save you time and expense. The list includes common occurrences that are not the result of defective workmanship or materials in this appliance.

Refer to the warranty and service information in your Owner's Guide for our phone number and address. Please call or write if you have inquiries about your range product and/or need to order parts.

## Optional Anti-Tip Screws

(Lift-top Models Only)

Raise the lift-up cooktop and support it with cooktop support rod. Drill 1/8" diameter pilot holes into countertop using holes in upper side panels as a template. Fasten the upper side panels to the countertop with screws provided in a plastic bag in the oven.



# 30" ELECTRIC SLIDE-IN RANGE INSTALLATION INSTRUCTIONS

## Important Safety Warning

To reduce the risk of tipping of the range, the range must be secured to the floor by properly installed anti-tip brackets and screws packed with the range. Those parts are located in a plastic bag in the oven. Failure to install the anti-tip brackets will allow the range to tip over if excessive weight is placed on an open door or if a child climbs upon it. Serious injury might result from spilled hot liquids or from the range itself.

Follow the instructions below to install the anti-tip brackets.

If range is ever moved to a different location, the anti-tip brackets must also be moved and installed with the range. To check for proper installation, see step 5.

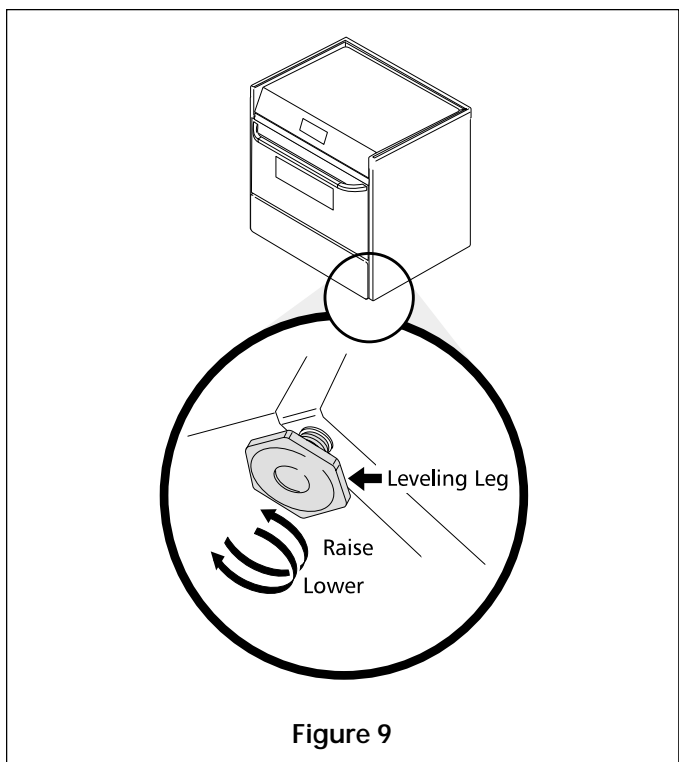
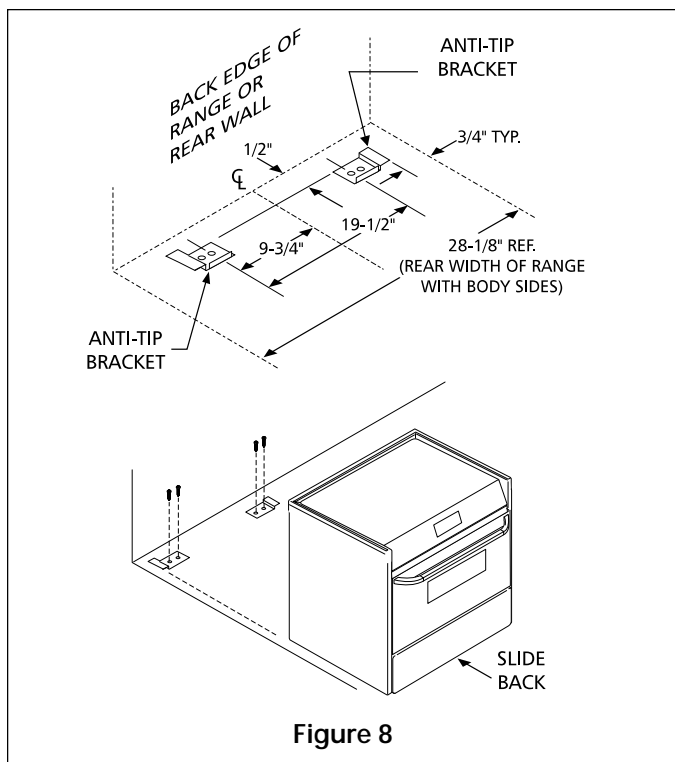
## Tools Required:

5/16" Nutdriver or Flat Head Screwdriver  
Adjustable Wrench  
Electric Drill  
3/16" Diameter Drill Bit  
3/16" Diameter Masonry Drill Bit (if installing in concrete)

## Anti-Tip Brackets Installation Instructions

Brackets attach to the floor at the back of the range to hold both rear leg levelers. When fastening to the floor, be sure that screws do not penetrate electrical wiring or plumbing. The screws provided will work in either wood or concrete.

1. Unfold paper template and place it flat on the floor with the back and side edges positioned exactly where the back and sides of range will be located when installed. (Use the diagram below to locate brackets if template is not available.)
2. Mark on the floor the location of the 4 mounting holes shown on the template. For easier installation, 3/16" diameter pilot holes 1/2" deep can be drilled into the floor.
3. Remove template and place brackets on floor with turned up flange to the front. Line up holes in brackets with marks on floor and attach with 4 screws provided. Brackets must be secured to solid floor. If attaching to concrete floor, first drill 3/16" dia. pilot holes using a masonry drill bit.
4. Level range if necessary, by adjusting 4 leg levelers with wrench. (See Figure 9 below.) A minimum clearance of 1/8" is required between the bottom of the range and the rear leg levelers to allow room for the anti-tip brackets.
5. Slide range into place making sure rear legs are trapped by ends of brackets. Range may need to be shifted slightly to one side as it is being pushed back to allow rear legs to align with brackets. You may also grasp the top rear edge of the range and carefully attempt to tilt it forward to make sure range is properly anchored.





# INSTRUCCIONES DE INSTALACION PARA LA ESTUFA ELECTRICA DESLIZABLE DE 30"

LA INSTALACION Y EL SERVICIO DEBEN SER EFECTUADOS POR UN INSTALADOR CALIFICADO.

IMPORTANTE: GUARDE ESTAS INSTRUCCIONES PARA USO DEL INSPECTOR LOCAL DE ELECTRICIDAD.

LEA Y GUARDE ESTAS INSTRUCCIONES PARA REFERENCIA FUTURA.

Acepille el borde subido a que deje espacio para un borde de 30" (76.2 cm) de anchura de estufa.

1-½" Max. (3.8 cm Max.)

30" (76.2 cm Min.)

30" Min.\*\* (76.2 cm Min.)

18" Min. (45.7 cm Min.)

13" Min. (33 cm Min.)

Ubique las puertas de los armarios un mínimo de 1" de la abertura.

30" (76.2 cm) Exacto

Approx. 1-7/8" (4.8 cm)

\*Nota: Abertura de 29" (73.7 cm) de anchura para la superficie de estufa traslapada y la apariencia de estar incorporada.

24" Min. (61 cm Min.)

Si se está instalando el modelo con los paneles laterales opcionales, la área del recortado incluso la superficie del armario, deberían ser de una anchura de al menos 30" (76.2 cm).

La caja de empalmes de conexión con la tierra debería situarse de 2" o 4" (5-10 cm) del armario izquierdo y de 3" a 6" (7.6 - 15.2 cm) del suelo.

No pellizque el cordón eléctrico entre la estufa y la pared.

No selle la estufa a los armarios de lado.

\*\*NOTA: Un espacio mínimo de 24" (61 cm) entre la superficie de la estufa y el fondo del armario cuando el fondo del armario de madera o metal está protegido por no menos de 1/4" (0.64 cm) de madera resistente al fuego cubierta por una lámina metálica de MSG, número 28, 0.015" (0.4 mm) de acero inoxidable, 0.024" (0.6 mm) de aluminio, o 0.02" (0.5 mm) de cobre.

Un espacio mínimo de 30" (76.2 cm) cuando el armario no está protegido.

A. ALTURA

B. ANCHURA

C. PROFUNDIDAD A LA FRENTE DE LA ESTUFA

D. PROFUNDIDAD CON LA PUERTA ABIERTA

E. ANCHURA MINIMA DE RECORTADO

F. PROFUNDIDAD MINIMA DE RECORTADO

G. ALTURA DEL MOSTRADOR

Puerta abierta

A. ALTURA	B. ANCHURA	C. PROFUNDIDAD A LA FRENTE DE LA ESTUFA	D. PROFUNDIDAD CON LA PUERTA ABIERTA	E. ANCHURA MINIMA DE RECORTADO	F. PROFUNDIDAD MINIMA DE RECORTADO	G. ALTURA DEL MOSTRADOR
35 3/8-36 3/8" (90-92 cm)	30" (76.2 cm)	26 1/4" (66.7 cm)	44 7/8" (114 cm)	29" (73.7 cm)	21 5/8" (55 cm)	36" (91.4 cm) norma 35 3/8" (90 cm) min.

F. La profundidad mínima de recortado se aumenta a 24" (61 cm) con el uso de un protector trasero.

## Notas importantes para el Instalador

1. Lea todas las instrucciones contenidas en este manual antes de instalar la estufa.
2. Saque todo el material usado en el embalaje del compartimiento del horno antes de conectar el suministro eléctrico a la estufa.
3. Observe todos los códigos y reglamentos pertinentes.
4. Deje estas instrucciones con el comprador.

## Nota Importante para el Consumidor

Conserve estas instrucciones y el Manual del Usuario para referencia futura.

# IMPORTANTES INSTRUCCIONES DE SEGURIDAD

- Asegúrese de que la estufa sea instalada y conectada a tierra en forma apropiada por un instalador calificado o por un técnico.
- Esta estufa debe ser eléctricamente puesta a tierra de acuerdo con los códigos locales, o en su ausencia, con el Código Eléctrico Nacional ANSI/NFPA No. 70, última edición.
- La instalación de aparatos diseñados para instalación en casas prefabricadas (móviles) debe conformar con el Manufactured Home Construction and Safety Standard, título 24CFR, parte 3280 [Anteriormente el Federal Standard for Mobil Home Construction and Safety, título 24, HUD (parte 280)] o cuando tal estándar no se aplica, el Standard for Manufactured Home Installation 1982 (Manufactured Home sites, Communities and Setups), ANSI Z225.1/NFPA 501A-edición más reciente, o con los códigos locales.

- Asegúrese de que el material que recubre las paredes alrededor de la estufa, pueda resistir el calor generado por la estufa.
- Antes de instalar la estufa en un área cuyo piso este recubierto con linóleo u otro tipo de piso sintético, asegúrese de que éstos puedan resistir una temperatura de por lo menos 90°F sobre la temperatura ambiental sin provocar encogimiento, deformación o decoloración. No instale la estufa sobre una alfombra al menos que coloque una plancha de material aislante de por lo menos 1/4 pulgada, entre la estufa y la alfombra.

**⚠ ADVERTENCIA** Nunca deje niños solos o desatendidos en un área donde un artefacto está siendo usado. A medida que los niños crecen, enséñeles el uso apropiado y de seguridad para todos los artefactos. Nunca deje la puerta del horno abierta cuando la estufa está desatendida.

**⚠ ADVERTENCIA** No se pare, apoye o siente en las puertas o cajones de esta estufa pues puede resultar en serias lesiones y puede también causar daño a la estufa.

- No almacene artículos que puedan interesar a los niños en los gabinetes sobre la estufa. Los niños pueden quemarse seriamente tratando de trepar a la estufa para alcanzar estos artículos.
- Los gabinetes de almacenamiento sobre la estufa deben ser evitados, para eliminar la necesidad de tener que pasar sobre los elementos superiores de la estufa para llegar a ellos.
- No use el horno como espacio de almacenaje. Esto creará una situación potencialmente peligrosa.
- Nunca use la estufa para calentar el cuarto. El uso prolongado de la estufa sin la adecuada ventilación puede resultar peligroso.
- No almacene ni utilice gasolina u otros vapores y líquidos inflamables en la proximidad de éste o de cualquier otro artefacto eléctrico. Puede provocar incendio o explosión.
- Ajuste todos los controles a la posición "OFF" (apagada) después de haber hecho una operación con tiempo programado.

### PARA MODELOS AUTOLIMPIANTES:

- Saque la asadera, alimentos o cualquier otro utensilio antes de usar el ciclo de autolimpieza del horno. Limpie todo exceso de derrame de alimentos. Siga las instrucciones de prelimpiado en el [Manual del Usuario](#).

	<b>⚠ ADVERTENCIA</b> <ul style="list-style-type: none"><li>• TODAS LAS ESTUFAS PUEDEN VOLCARSE.</li><li>• ESTO PODRIA RESULTAR EN LESIONES PERSONALES.</li><li>• INSTALE EL DISPOSITIVO ANTIVUELCOS QUE SE HA EMPACADO JUNTO CON ESTA ESTUFA.</li></ul>	<b>⚠ ADVERTENCIA</b> <p>PARA REDUCIR EL RIESGO DE QUE SE VUELQUE LA ESTUFA, HAY QUE ASEGURARLA ADECUADAMENTE COLOCANDOLE LOS SOPORTES ANTIVUELCO QUE SE PROPORCIONAN. PARA COMPROBAR SI ESTOS ESTAN INSTALADOS Y APRETADOS EN SU LUGAR COMO SE DEBE, ASE EL BORDE TRASERO SUPERIOR DE LA ESTUFA Y CUIDADOSAMENTE INCLÍNELA HACIA ADELANTE PARA ASEGURAR QUE LA ESTUFA SE ANCLE.</p>
---	---	---

# INSTRUCCIONES DE INSTALACION PARA LA ESTUFA ELECTRICA DESLIZABLE DE 30"

## Juego de Cordón Eléctrico

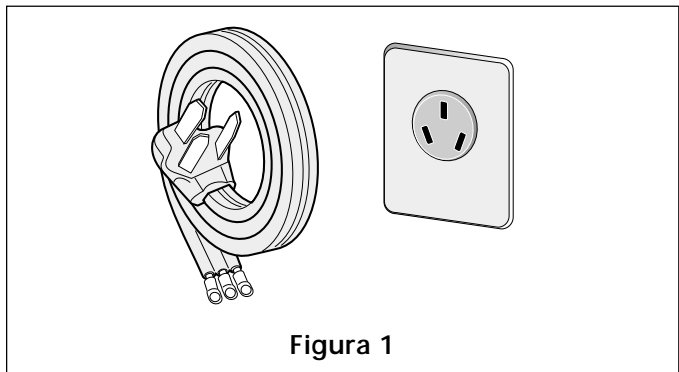
El consumidor tiene la responsabilidad de conectar el cordón eléctrico al bloque de conexión ubicado detrás de la cubierta de acceso del panel trasero.

Este artefacto puede ser conectado mediante "cableado rígido" permanente (un cable flexible escudido o un cable de cobre escudido no metálico) o un "juego de cordón eléctrico". Se usará solamente un juego de cordón eléctrico para 125/250 voltios, 40 amperios y marcado para uso con estufas. El juego de cordón eléctrico debe tener 3 conductores (vea Figura 3).

La instalación en casas móviles, o áreas donde los códigos locales no permiten puesta a tierra a través del conductor neutro, se debe usar un juego de cordón eléctrico de cuatro (4) conductores para 125/250 voltios mínimo, 40 amperios y marcado para uso con estufas (vea Figura 4).

Los terminales en las puntas de los alambres deben ser de circuito cerrado o de orejeta de pala punta abierta y con las puntas vueltas hacia arriba. El cordón debe tener un anclaje del cable.

**⚠ ADVERTENCIA** Puede ocurrir riesgo de incendio o choque eléctrico si se usa un juego de cordón de estufa de tamaño incorrecto, si las instrucciones de instalación no son seguidas o si no se usa el anclaje del cable.



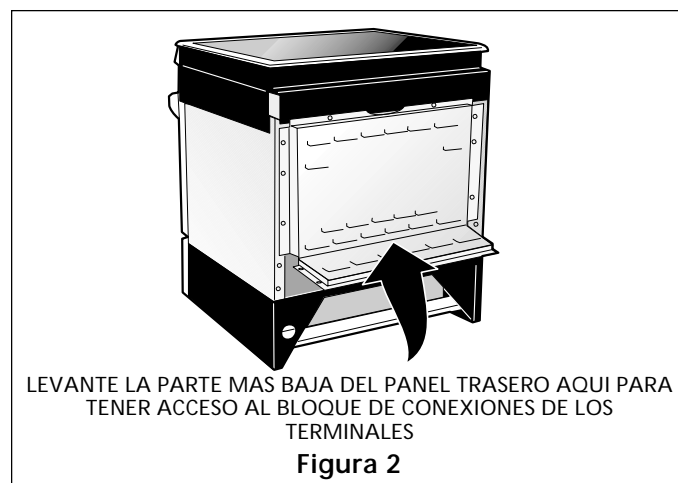
**⚠ PRECAUCION** No desate las tuercas que sujetan el alambaje de cocina que ha sido instalado en la factoria al bloque terminal, cuando se hace la conexión de la cocina. Se puede ocurrir el mal funcionamiento o una interrupción del suministro eléctrico.

## Conexión Eléctrico de la Estufa

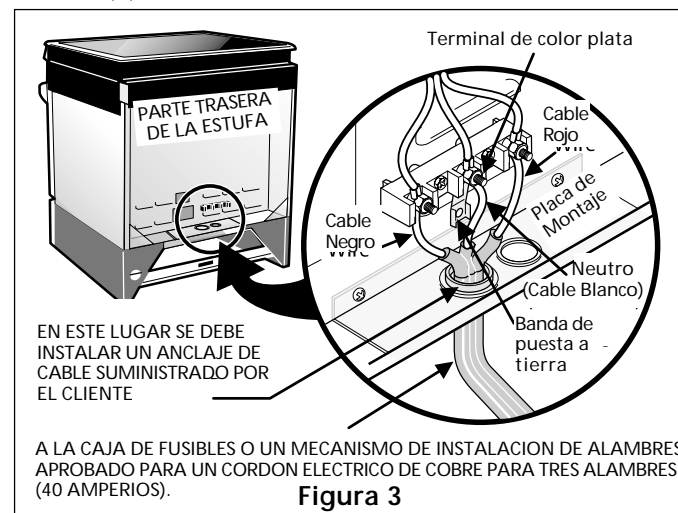
Este aparato se fabrica con el terminal neutro conectado al marco.

### 1. Conexión de tres alambres de conducción a la estufa si los códigos locales permiten la conexión del conductor de tierra del marco con el alambre neutro del cordón eléctrico de cobre (vea Figura 3).

- A. Quite los tres tornillos en la parte más baja del panel trasero, luego levante la parte más baja del panel trasero (la cubierta de acceso) exponiendo el bloque de conexiones de los terminales de la estufa (vea Figura 2).



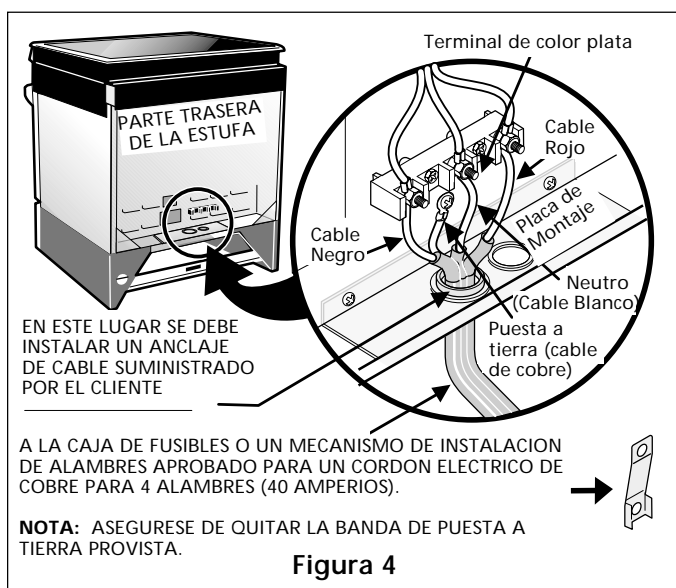
- B. Quite las tres tuercas desatadas (después de remover la cinta de goma) sobre el bloque terminal usando un destornillador o una llave de casquillo de 3/8".
- C. Conecte el cable neutro del cordón eléctrico de cobre al terminal de color de plata en el centro del bloque, y conecte los otros cables a los terminales laterales. Empareje los cables y los terminales según el color (cables rojos conectados con el terminal derecho, cables negros conectados con el terminal izquierdo).
- D. Baje la cubierta del terminal y reinstale los tres (3) tornillos.



# INSTRUCCIONES DE INSTALACION PARA LA ESTUFA ELECTRICA DESLIZABLE DE 30"

## 2. Conexión de 4 alambres de conducción a la estufa (casas móviles)

- Quite los tres tornillos en la parte más baja del panel trasero, luego levante la parte más baja del panel trasero (la cubierta de acceso) exponiendo el bloque de conexiones de los terminales de la estufa.
- Quite la banda de puesta a tierra del bloque de los terminales y del marco del artefacto. Retenga el tornillo de puesta a tierra.
- Conecte el alambre de puesta a tierra (verde) del cordón eléctrico de cobre al marco del artefacto con el tornillo de puesta a tierra, usando el agujero en el marco donde se quitó el tornillo de puesta a tierra (vea figura 4).
- Conecte el alambre neutro (blanco) del cordón eléctrico de cobre al terminal de color de plata en el centro del bloque y conecte los otros alambres al los terminales laterales.
- Baje la cubierta de acceso y vuelva a poner los 3 tornillos.



## Conexión Eléctrico al Sistema Eléctrico de la Residencia

El electrodoméstico debe conectarse directamente con la caja de fusibles o cortacircuitos por medio de un cable flexible de cobre blindado o con cubierta no-metálica (con alambre de puesta a tierra). Ubique la caja de empalmes de modo que permita un flojo de 2 o 3 pies en la cuerda para que se pueda mover la estufa si hace falta el servicio. No corte el conducto.

Un conector listado por UL **tiene que** ponerse en cada extremo del cordón eléctrico (en el electrodoméstico y la caja de fusibles). Los tamaños de alambres (**sólo de cobre**) y las conexiones deben conformarse con la calificación del electrodoméstico.

## ⚠ ADVERTENCIA

### Riesgo de Choque Eléctrico

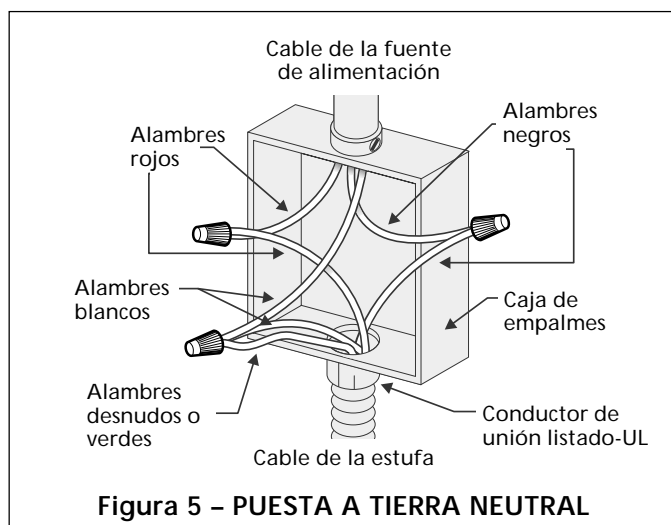
- Una puesta a tierra está requerido en este aparato.
- No lo conecte a la corriente eléctrica hasta que el aparato haya sido puesto a tierra permanentemente.
- Desconecte la corriente eléctrica a la caja de empalmes antes de hacer la conexión eléctrica.
- Este aparato debe estar conectado con un sistema de alambres puesto en tierra, metálico y permanente o un conector de puesta a tierra debe conectarse al terminal de puesta a tierra o el alambre conductor en el aparato.

La falta de hacer cualquier de las cosas arriba podría resultar en un incendio, choque eléctrico o lesiones personales.

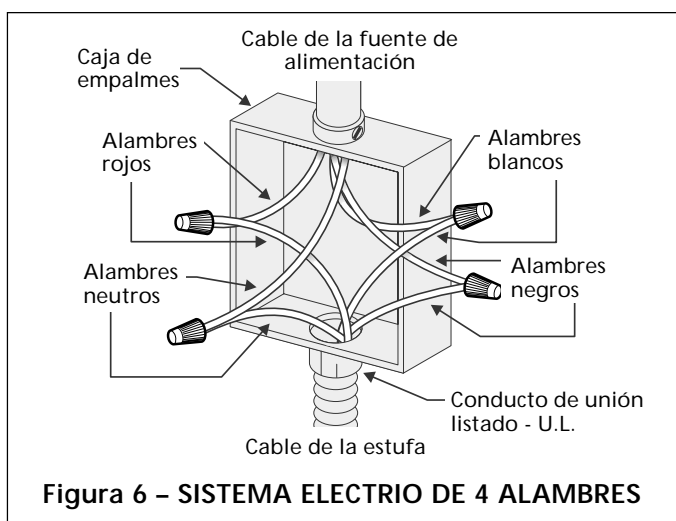
## Instrucciones para la Puesta a Tierra

Para aparatos conectados a una caja de empalmes, use conectores de conducto listados U.L. Complete la conexión según los códigos y ordenanzas locales.

1. Donde los códigos locales permitan la conexión del conductor de gabinete - puesta a tierra con el alambre neutro (blanco) de la caja de empalmes (vea Figura 5)
  - A. Desconecte la fuente de alimentación.
  - B. Conecte los tres alambres: los verdes y los blancos del cable del aparato y el alambre neutro (blanco) en la caja de empalmes.
  - C. Conecte los dos alambres negros, luego conecte los rojos.



2. Dónde los códigos locales no lo permitan, o si se está conectando a un sistema eléctrico de 4 alambres - **NO** conectar el conductor de puesta a tierra por el gabinete con el alambre neutro (blanco) de la caja de empalmes (vea Figura 6)
  - A. Desconecte la fuente de alimentación.
  - B. Separe los alambres de cobre desnudo y los alambres blancos del aparato.
  - C. Conecte el alambre blanco del aparato con el alambre neutro (blanco) en la caja de empalmes.
  - D. Conecte los alambres negros, luego los dos alambres rojos.
  - E. Conecte el alambre desnudo de cobre de puesta a tierra con el alambre de puesta a tierra en al caja de empalmes.



## Construcción de los Armarios

**⚠ PRECAUCION** Para eliminar el riesgo de quemaduras e incendios al tocar superficies sobrecalentadas, se debe evitar colocar espacio para armarios de almacenamiento sobre las estufas con elementos al descubierto. Si se instalan armarios sobre la estufa, se pueden reducir tales riesgos instalando una campana purificadora que se proyecta horizontalmente un mínimo de 5" (12.7 cm) más afuera de la parte inferior de los armarios.

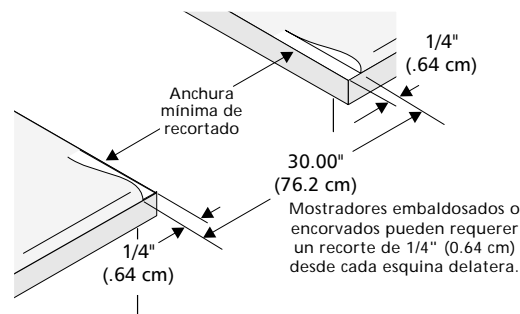
## Preparación del Mostrador

Los lados de la superficie de la estufa se superponen a los bordes recortados del mostrador.

Si el mostrador es **cuadrado (plano)**, no requiere ninguna preparación.

Si usted tiene un **mostrador de frente formado (encorvado)**, hay que resurar cada esquina frontal hasta que esté plano hasta 1/4" (0.64 cm) de la abertura.

**Los mostradores embaldosados** pueden requerir un recorte de 1/4" (0.64 cm) desde cada esquina delantera y/o un aplanamiento de los bordes redondeados.



Si la anchura de la abertura de superficie del armario es mayor que la anchura mínima del recortado, ajuste la dimensión de 1/4" (0.64 cm).

**El mostrador debe estar nivelado.** Ponga un nivel sobre el mostrador, primero de un lado para otro y después de delante para atrás. Si el mostrador no está nivelado, la estufa tampoco lo estará. El horno debe estar nivelado para resultados satisfactorios de cocer. Los lados de la superficie de la estufa se encajan por encima de los bordes de la abertura del mostrador.

## Instalación de la estufa

**⚠ PRECAUCION** Mientras se desembala la estufa, no deseche los cuatro (4) pernos de embalaje. Reemplácelos como patas niveladoras y para ajustar la altura de la unidad.

### 1. Instalación sin los paneles laterales

- A. La superficie de la estufa se sobrepone al mostrador por los lados y la estufa descansa sobre el piso. La estufa es de 30" (76.2 cm) de anchura.
- B. Instale los gabinetes de base con una separación de 29" (73.7 cm). Asegúrese de que se aplomen y sean nivelados antes de juntar la estufa. Acepille la parte levantada del borde del mostrador dejando espacio para la superficie de la estufa de 30" .
- C. Instale las puertas de los gabinetes con una separación mínima de 31" (78.7 cm) para que no obstruyan con la puerta de la estufa al abrirse.
- D. Recorte el mostrador exactamente según el dibujo en la página 1.
- E. Un protector trasero puede pedirse mediante su negociante.
- F. Ajuste a las piernas de nivelación de manera que la parte de abajo de la plancha de cocinar está apoyada contra el mostrador.
- G. **Nivele la estufa. El piso donde la estufa se va a instalar tiene que estar nivelado** (Figura 7).

### 2. Instalación con los paneles laterales

- A. Instale los gabinetes de base con una separación mínima de 30 1/8" (76.5 cm). Asegúrese de que se aplomen y sean nivelados.
- B. Instale las puertas de los gabinetes con una separación mínima de 31" (78.7 cm) para que no obstruyan con la puerta de la estufa al abrirse.
- C. Un protector trasero puede pedirse mediante su negociante.
- D. Un conjunto de paneles laterales puede pedirse mediante su negociante.
- E. Nivele la estufa y ajuste la altura de la estufa.

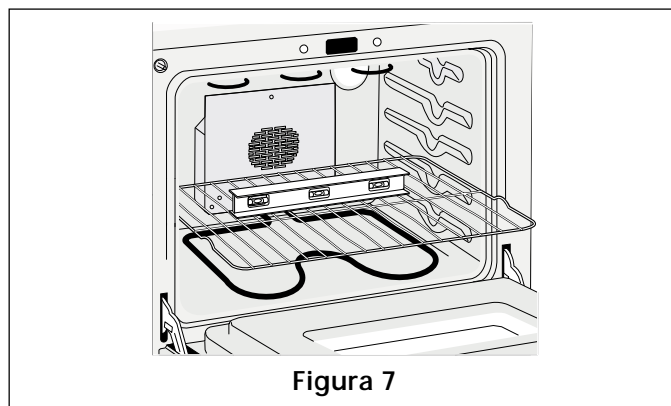
### 3. Instalación con un protector trasero

La profundidad del recortado de 21 5/8" (55 cm) necesita aumentarse a 24" (61 cm) al instalar un protector trasero.

## Nivelación de la estufa

**Nivele la estufa y ajuste la altura de la estufa antes de instalarla en la abertura.**

1. Coloque una parrilla del horno en el centro del horno.
2. Ponga un nivel sobre la parrilla. Tome dos lecturas con el nivel puesto diagonalmente en una dirección y después en la otra. Nivele la estufa, si es necesario, ajustando las 4 patas niveladoras con una llave de tuercas (Figura 9).
3. Asegurese de no dañar al mostrador, deslice la estufa dentro de la abertura del hueco y vuelva a verificar a la nivelación. Si la estufa no está nivelada, arranque el electrodomestico y vuelva a ajustar a las piernas o asegurese que el suelo está nivelado.



# INSTRUCCIONES DE INSTALACION PARA LA ESTUFA ELECTRICA DESLIZABLE DE 30"

## Comprobación del Funcionamiento

Consulte el Manual del Usuario incluido con la estufa para instrucciones de operación y instrucciones para el cuidado y limpieza de su estufa.

**⚠ PRECAUCION** No toque los elementos. Pueden estar bastante calientes para causar quemaduras.

Quite todo el embalaje de la unidad antes de probarla.

### 1. Operación de los elementos de superficie

Encienda cada uno de los cuatro elementos de superficie y controle que se calienten. Verifique el funcionamiento de las luces indicadoras de los elementos de superficie, si equipadas.

### 2. Funcionamiento de los Elementos del Horno

El horno está equipado con un control electrónico. Cada función ha sido probada en la fábrica antes del transporte. Sin embargo, sugerimos que Ud. verifique el funcionamiento de los controles del horno una vez más. Véase el Manual del Usuario para la operación. Siga las instrucciones para el Reloj Minutero, Cocer, Asar, Covección (algunos modelos) y las funciones de limpieza.

**Cocer/Bake**—Después de poner el horno a 350°F (177°C) para cocer, el elemento inferior debe ponerse rojo.

**Asar/Broil**—Cuando está puesto para BROIL, el elemento superior se debe poner rojo.

**Limpieza/Clean**—Cuando el horno está puesto para un ciclo de auto-limpieza, el elemento superior se pondrá rojo durante el periodo de precalentamiento del ciclo. Después de alcanzar la temperatura de auto-limpieza, el elemento inferior se pondrá rojo.

**Convección/Convection (algunos modelos)**—Cuando el horno se pone a CONV. BAKE/ROAST a 350°F (177°C), los dos elementos se enciendan y se apagan alternando en un ciclo y el ventilador se pone en marcha. El ventilador de convección se parará cuando se abre la puerta del horno durante el cocido o el asado por convección.

**Cajón calentador (algunos modelos)**—Ponga la perilla de control a HI y verifique que se está calentando el cajón.

## Después de Terminar la Instalación

Asegúrese de que todos los controles estén en la posición OFF (apagada).

## Ubicación del Número de Modelo y de Serie

La placa con el número de serie está ubicada en el marco delantero del horno detrás de la puerta del horno (algunos modelos) o detrás del cajón (algunos modelos).

Cuando haga pedidos de repuestos o solicite información con respecto a su estufa, esté siempre seguro de incluir el número de modelo y de serie y el número o letra del lote de la placa de serie de su estufa.

## Antes de Llamar al Servicio

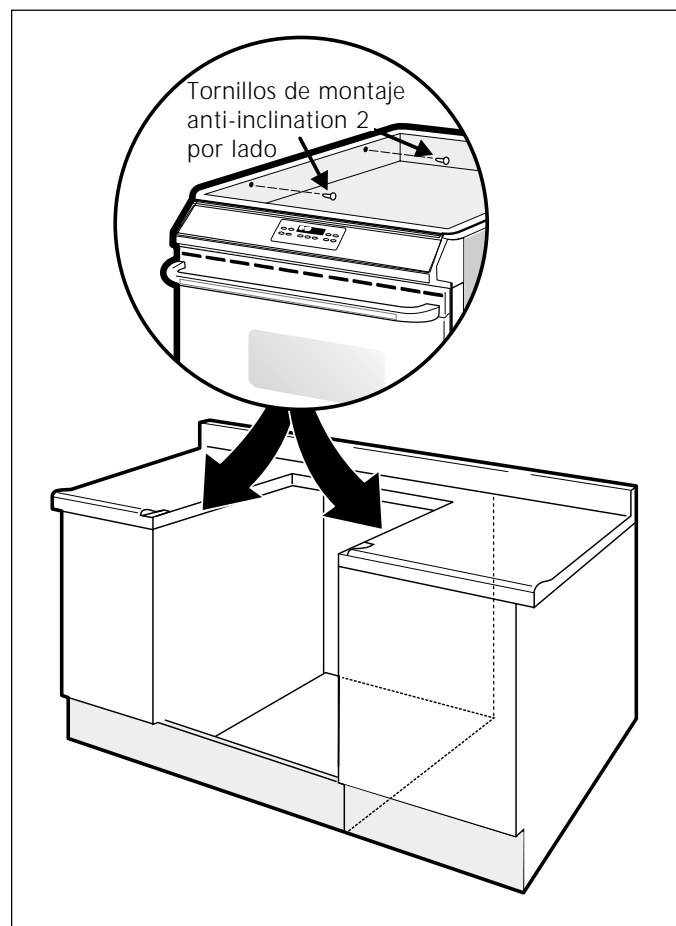
Lea la sección Evite Llamadas de Servicio en su Manual del Usuario. Esto le podrá ahorrar tiempo y gastos. Esta lista incluye ocurrencias comunes que no son el resultado de defectos de materiales o fabricación de este artefacto.

Lea la garantía y la información sobre el servicio en su Manual del Usuario para obtener el número de teléfono gratuito y la dirección del servicio. Por favor llame o escriba si tiene preguntas acerca de su estufa o necesita repuestos.

## Tornillo antivuelco opcional

(Modelos con cubierta levantable)

Levantar la cubierta levantada y sostenerla con una varilla de apoyo. Perforar orificios auxiliares de 1/8" de diámetro en la parte superior del armario, usando de los paneles laterales. Fijar los paneles laterales superiores a la parte superior del armario con los tornillos incluidos con en el catálogo.



# INSTRUCCIONES DE INSTALACION PARA LA ESTUFA ELECTRICA DESLIZABLE DE 30"

## Importante Advertencia de Seguridad

Para reducir el riesgo de que la estufa se vuelque, es necesario asegurarla al piso instalando los soportes antivuelco y los tornillos suministrados con la estufa. Las piezas se encuentran en un saco de plástico en el horno. Si no se instalan los soportes antivuelco, la estufa se puede volcar si se coloca exceso de peso en una puerta abierta o si un niño se sube a ella. Se pueden ocasionar lesiones graves causadas por los líquidos calientes derramados o por la estufa misma.

Siga las instrucciones que más abajo se indican para instalar los soportes antivuelco.

Si la estufa es movida a otro lugar, los soportes antivuelco deben también ser movidos e instalados en la estufa. Para controlar la instalación apropiada, vea el paso número 5.

## Herramientas Necesarias:

Llave de tuerca de 5/16" o destornillador para tornillos de cabeza plana

Llave inglesa

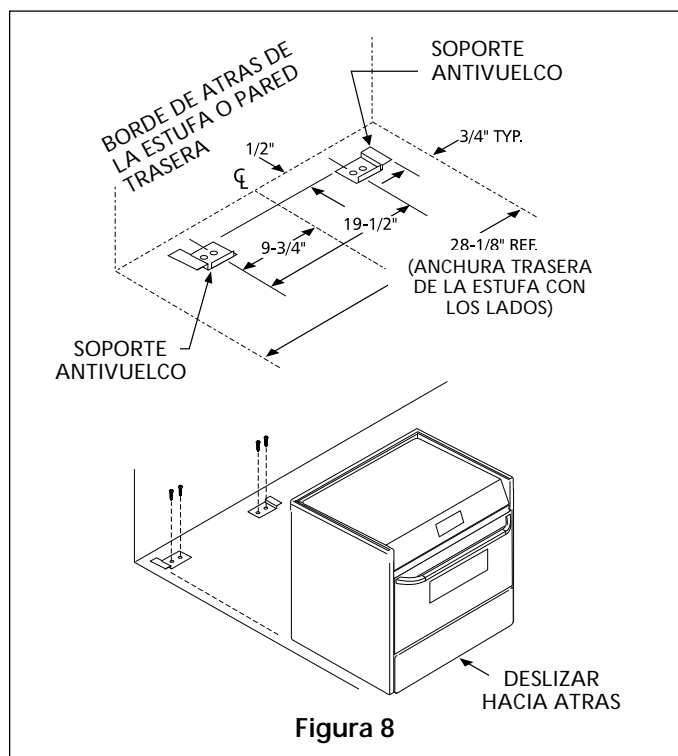
Taladro eléctrico

Broca de 3/16" de diámetro

Broca para taladro de mampostería de 3/16" de diám. (si se está instalando en concreto)

## Instrucciones de Instalación del Soporte Antivuelco

Los soportes se fijan al suelo en la parte trasera de la estufa para sujetar ambos niveladores de las patas traseras. Cuando los esté instalando al piso, asegúrese de que los tornillos no penetren el alambrado eléctrico o plomería. Los tornillos provistos pueden utilizarse en madera o concreto.



1. Desdoble la plantilla de papel y colóquela plana en el piso con los bordes laterales y el trasero colocados exactamente donde la parte trasera y los lados de la estufa serán colocados cuando sea instalada. (Use el diagrama siguiente para ubicar los soportes si no se dispone de la plantilla).
2. Marque en el piso la ubicación de los 4 agujeros de montaje como se muestra en la plantilla. Para facilitar la instalación, se pueden taladrar agujeros piloto de 3/16" de diám. y 1/2" de profundidad en el piso.
3. Saque la plantilla y coloque los soportes en el piso con la brida hacia arriba dirigida hacia el frente. Alinee los agujeros en los soportes con las marcas en el piso y sujete con los 4 tornillos provistos. Los soportes deben estar asegurados al piso firme. Si se va a instalar en piso de concreto, primero debe taladrar agujeros guía de 3/16" de diámetro usando una broca para taladro de mampostería.
4. Nivele la estufa si es necesario ajustando las cuatro patas niveladoras con una llave (Ver la Figura 9 abajo). Se requiere un espacio libre mínimo de 1/8" entre la parte inferior de la estufa y los niveladores de las patas traseras para dejar espacio para los soportes antivuelco.
5. Deslice la estufa a su lugar asegurándose de que las patas traseras estén sujetas por los extremos de los soportes. La estufa puede necesitar ser movida ligeramente a un lado cuando está siendo empujada hacia atrás para permitir que las patas se alineen con los soportes. Usted también puede asir el borde trasero de la cima de la estufa y cuidadosamente intentar voltearla para asegurarse de que la estufa sea adecuadamente anclada.

