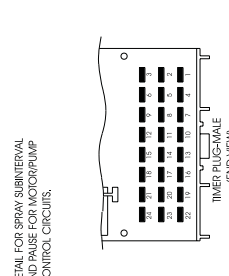
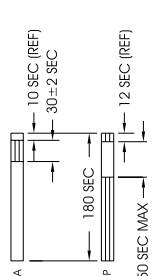
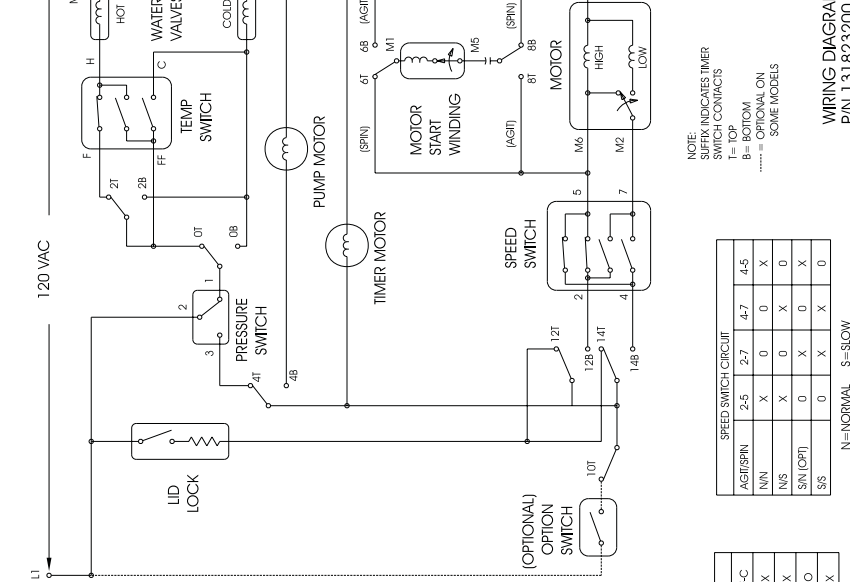
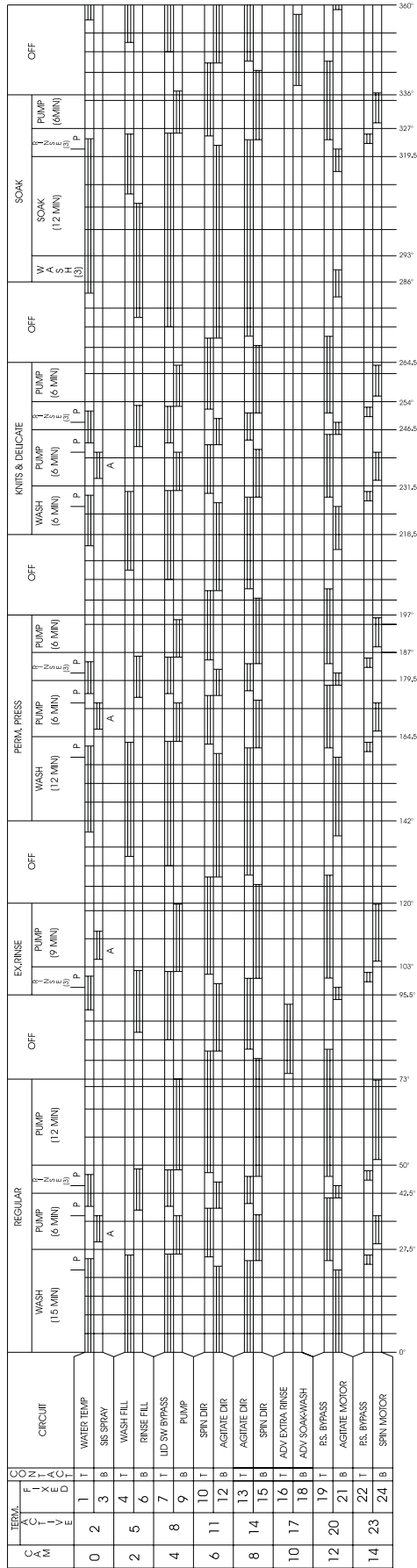
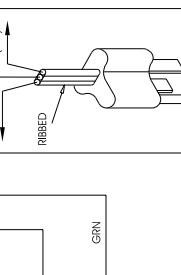
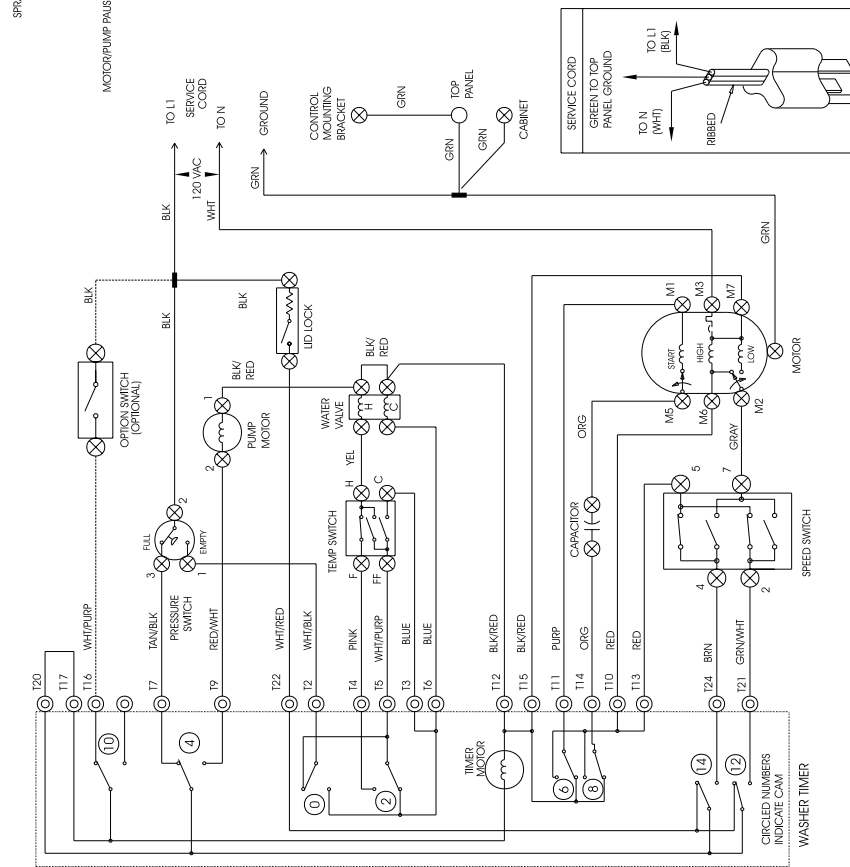


CAUTION: DISCONNECT ELECTRIC CURRENT BEFORE SERVICING



	F-H	FF-H	FF-C
WASH/RINSE	0	0	X
COLD/COLD	X	0	X
WARM/COLD	X	0	X
HOT/COLD	X	0	0
WARM/WARM (OPT)	0	X	X



	2-5	2-7	4-7	4-5
AGIT/SPIN	X	0	0	X
NN	X	0	0	X
NS	X	0	0	0
SN (CP)	0	X	0	X
SS	0	0	X	0

N=NORMAL S= SLOW

WIRING DIAGRAM
P/N 131823200