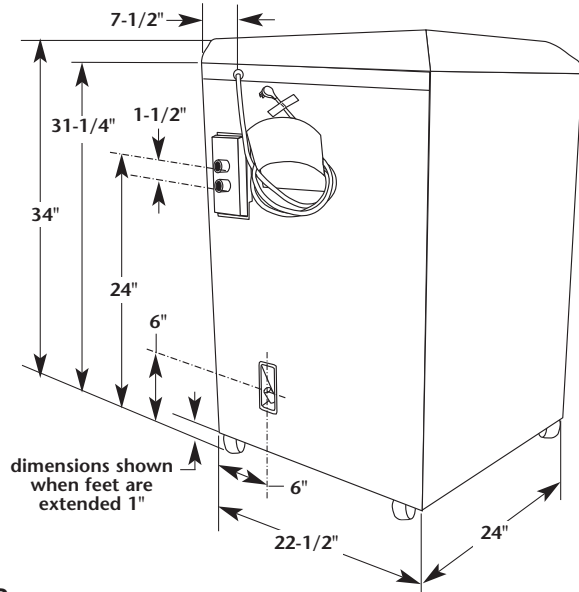


PRODUCT MODEL NUMBERS

LCR7244D
LCR7244H

Electrical: 120-volt, 60-Hz, AC-only, 15- or 20-amp. electrical supply. A time-delay fuse or circuit breaker and separate circuit is recommended.

OVERALL DIMENSIONS



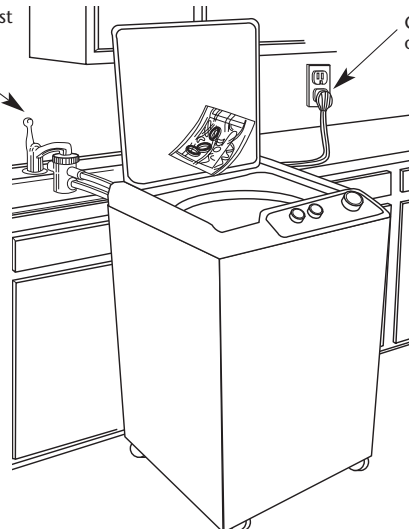
REQUIREMENTS

Hot and cold water faucets: Must be within 4 feet of the back of the washer and provide water pressure 5-100 PSI.

If washer will be used at a faucet equipped with a spray hose attachment, constant pressure may cause the spray hose to leak. Permanently disconnect spray hose or replace spray hose with a high pressure hose to prevent potential problems.

Support: Floor must be sturdy enough to support washer weight of 260 pounds.

Level floor: Maximum slope under entire washer — 3/8 inch.



Grounded electrical outlet is required.

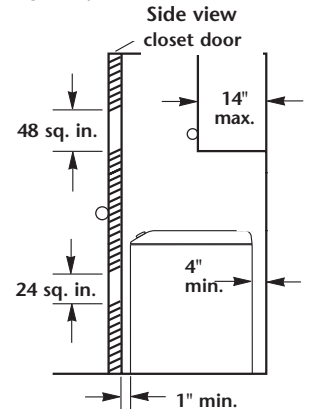
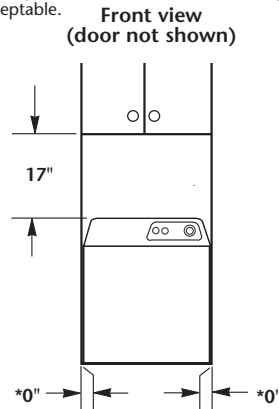
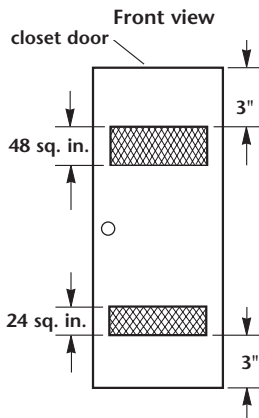
Water heater: Set to deliver 140°F water to washer.

Sink or laundry tub: Must have minimum carry away capacity of 11 gallons per minute to drain washer. To of sink or tub must be at least 27 inches high and no higher than 48 inches from bottom washer.

RECESSED AREA AND CLOSET INSTALLATION

Closet confined area

If closet door is installed, the minimum air openings in top and bottom of door are required. Louvered doors with air openings in top and bottom are acceptable.



* Additional clearances for wall, door and floor moldings may be required.