

ELECTRIC BUILT-IN MICROWAVE/SINGLE OVEN

**MODELS: KECO-375MS/376MCS
CMO-2743**

INSTALLATION INSTRUCTIONS

INSTALLER: FINAL CHECK LIST

**IMPORTANT:
LEAVE THESE INSTRUCTIONS FOR USE BY
THE LOCAL ELECTRICAL INSPECTOR**

PLACEMENT

- 1. Properly positioned - level, aligned and square with cabinet opening.
- 2. Anchored securely to cabinet.
- 3. Installation debris removed.

ELECTRICAL

- 1. Oven properly grounded.
- 2. Separate 120/240 volt or 120/208 volt, 60 hertz, single phase branch circuit of proper ampacity and protected by a fuse or circuit breaker of proper size.
- 3. All connections made in accordance with local and/or National Electrical Code.

OPERATIONAL

- 1. Oven racks installed and slide freely in all positions..
- 2. Knobs securely in place and rotate freely without rubbing edges of control panel glass holes.
- 3. All lights function properly.
- 4. Clock timer buzzer operates. (On models with mechanical clocks)
- 5. Door properly adjusted, opens and closes smoothly.
- 6. Selector switch functions in all modes.
- 7. Unless instructed to leave for owner, remove all tags, labels and internal packing materials.
- 8. Oven has been wiped clean to remove fingermarks and other smudges.
- 9. Microwave oven operation checked according to procedure on back page of instructions.

THANK YOU INSTALLER:

1. Complete Installation Check List.
2. Leave all literature for customer.
3. Notify dealer that installation is completed.

FOR DETAILED INSTRUCTIONS, FOLLOW METHODS DESCRIBED IN THIS FOLDER.

IMPORTANT: Read Before Installing to Save Time, Work, assure proper performance, and owner's warranty protection.

WARNING: DO NOT USE THIS MICROWAVE OVEN FOR COMMERCIAL PURPOSES. THIS MICROWAVE OVEN IS DESIGNED FOR HOUSEHOLD USE ONLY.

INSTALLATION INSTRUCTIONS

OVEN LOCATION

The following recommendations are made to guide you in the location for the oven.

1. Avoid placing oven where there is direct heat or splashing water.
2. Place as far away as possible from TV, radio, etc., to prevent interference.

CABINET CONSTRUCTION

The oven must be enclosed by an appropriate cabinet or properly framed opening in the wall. Refer to Fig. 1 for correct location and dimensions to use. A solid bottom or runners, spaced on 19½" centers are required in the opening to support the oven. The front of the cabinet must be at right angles to the supports as well as level. If the oven is not level, it will not cook properly.

ELECTRICAL ROUGH-IN

It is necessary to provide an appropriate junction box as shown in Fig. 1. The installation of this junction box and wiring connecting it to the house wiring should be performed by a qualified electrician. All wiring must be done in accordance with the National Electrical Code and/or any other applicable local codes and ordinances.

The junction box for standard dwellings must be supplied with single phase, 3 wire, 120/240 volt, or 120/208 volts, 60 hertz, AC current. For a mobile home, the box must be supplied with 4 wires instead of 3 in accordance with the National Electrical Code (Article 550.9).

CAUTION: The KECO-375MS and CMO-2743 require a separate 40 amp overcurrent protection (fuse or circuit breaker). The KECO-376MCS requires a separate 30 amp overcurrent protection.

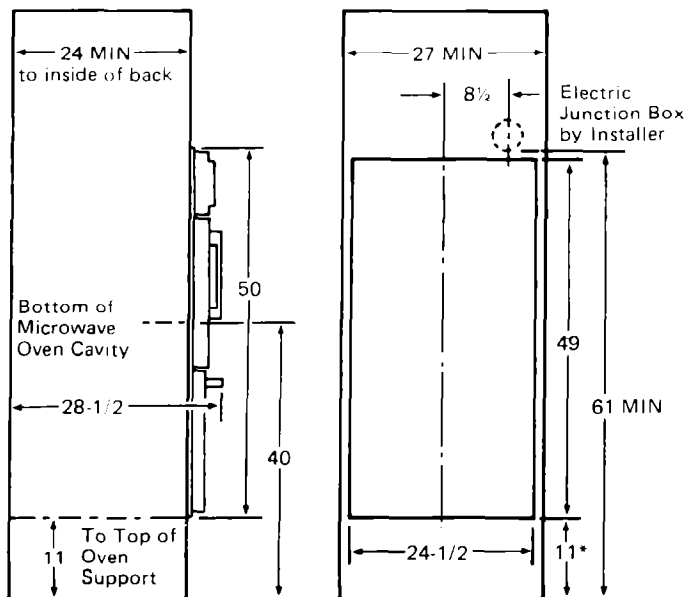


Fig. 1

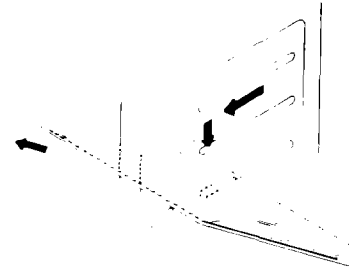
*Minimum height for bottom of cutout. This places inside of microwave oven cavity 40" above floor.

UNPACKING THE UNIT

The oven should be left on the carton base until it is ready to put into the cabinet. It is also recommended that the pads over the door(s) be left in place. These precautions will reduce the possibility of damage to the front of the unit and the bottom of the front frame.

Prior to installation, test the electrical service to assure that it agrees with the specifications on the oven data plate.

Remove all cords, tape, and wire used to hold various parts in position during shipment. Study all labels and tags and remove those on an exposed surface after installation, unless instructed to leave them for the owner. Remove oven racks from the inside of the oven and unwrap. Put to one side while the oven is being installed in cabinet. Take broiler pan, grid, and any other accessories from the packing on top of the oven and keep them with literature packet in a location where they will be retained for use by the owner.



To Remove Oven Racks

Slide rack forward until bar on back of rack touches first stop.

Lift front of rack until rear portion of rack slides out between front two stops.

ELECTRICAL CONNECTION

WARNING: ELECTRICAL AND GROUNDING CONNECTIONS MUST COMPLY WITH THE APPLICABLE PORTIONS OF THE NATIONAL ELECTRICAL CODE AND/OR OTHER LOCAL ELECTRICAL CODES.

WARNING: DISCONNECT ELECTRICAL POWER SUPPLY AND PLACE A TAG AT THE DISCONNECT SWITCH INDICATING THAT YOU ARE WORKING ON THE CIRCUIT.

Connect the conduit from the oven to the junction box and properly connect to the power supply leads. The unit is now ready to install in cabinet.

GROUNDING — THE OVEN MUST BE GROUNDED

Do not work on the oven wiring until the oven has been positively grounded.

The oven frame is grounded through the base grounding wire. Connect it to ground in accordance with local codes. Connect the white neutral to the service neutral wire at the junction box.

INSTALLING THE UNIT IN CABINET

The microwave module and the lower oven door should be removed to decrease the weight of the oven and provide a better hand hold on the oven while lifting it into the cabinet.

TO REMOVE DOOR (See Fig. 2) Use caution! Oven door is heavy.

- Open door completely.
- Depress finger tab in oven door hinge area. Push tab toward oven, lift tab away from door liner, and slide toward top of oven door. Repeat for other side of door.
- Close door until approximately 5 inches from fully closed position.
- Slide door off the hinge arm assemblies.

TO REMOVE MICROWAVE MODULE

- Remove self-clean latch lever knob by removing screw under lever.
- Loosen module trim by removing 4 screws (2 on each side).
- Remove module trim by pulling forward until free of latch lever.
- Remove module stabilizing brackets. Save for reinstallation after module has been returned to oven cabinet.
- Slide module forward until the module service cord on rear can be unplugged. (Model KECO-376MCS has an additional 3 wire connector to unplug).
- Complete removal of microwave module from oven cabinet.

BE SURE THAT PHENOLIC SPACERS AT EACH SIDE OF OVEN ARE IN PLACE TO PROVIDE PROPER AIR FLOW BETWEEN CABINET AND OVEN.

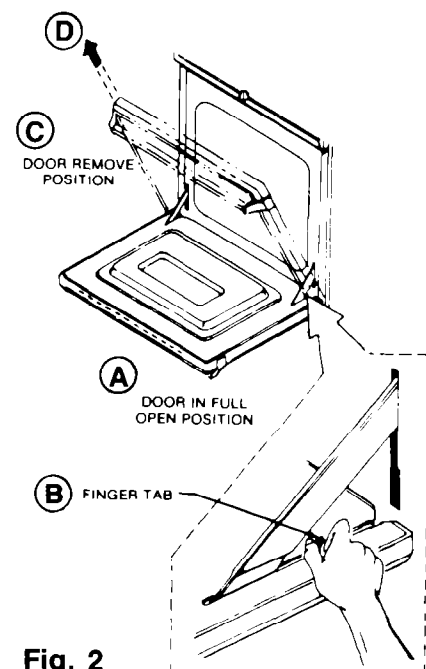


Fig. 2

When oven has been placed into the cabinet, the bottom trim strip is placed on the lower front edge of the front frame. This is done by loosening the three (3) screws at the bottom of the front frame. Slide the trim strip under the screw heads until the strip meets the lower corners of front frame (see Fig. 3). Tighten screws to hold trim to front frame.

Secure oven to cabinet with #8 screws provided. Do not overtighten screws. Edge of front frame should be parallel to cabinet. Disregard any excess screws that are left after all screw holes in front frame have been used.

INSTALL UNWRAPPED OVEN RACKS IN OVEN

REINSTALL MICROWAVE MODULE

Reassemble module by reversing procedure being sure to connect all electrical plugs and replacing the stabilizing brackets. Make sure that the module trim is lined up with the lower back corners of control frame when trim is put back on.

REINSTALL DOOR (See Fig. 2)

1. Slide door on hinge arms until firmly seated.
2. Lower door to full open position.
3. Push finger tabs back. Depress the tabs and slide forward.
4. Close and reopen door slowly to make sure it has been replaced properly.

MICROWAVE OVEN OPERATIONAL CHECK

CHECK MICROWAVE OVEN AFTER INSTALLATION, FOLLOWING SEQUENCE BELOW.

NOTE: The following instructions apply if, the time of day has not been set.

1. Install glass tray or turntable tray supplied with the microwave unit.
2. Put suitable container filled with approximately 1 quart or liter of water into microwave.
3. See A or B depending on model:
 - A. Models KECO-375MS, CMO-2743: Touch "Clear", then "Time". "0" should appear in the display window.
 - B. Model KECO-376MCS: Touch "Clear". "1:00" should appear in the display window.
4. Touch number pads for cooking time. Set 10 minutes by touching "1", the "0" three times. "10 00" should appear in Display Window.
5. Touch "START" pad. Make sure that cavity light comes on. The oven will start cooking and the Display Window will show time remaining, counting down in seconds.
6. After about 5 minutes, check door switches by opening and closing the door several times. Unit should stop when door is opened, light goes out only when door is reclosed. Unit should start again when door is closed and "START" is touched and the light comes on again.
7. Continue to operate unit. A tone sounds for 2 seconds when the time is up and the unit will automatically shut off.
8. Check to see that water is hot.

NOTE: Maintain at least one half quart or one half liter of water in container during test.

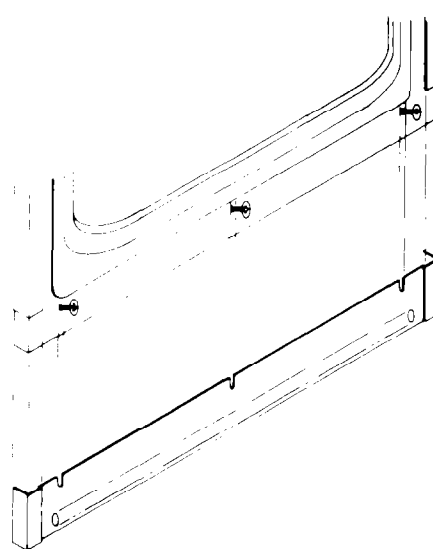


Fig. 3