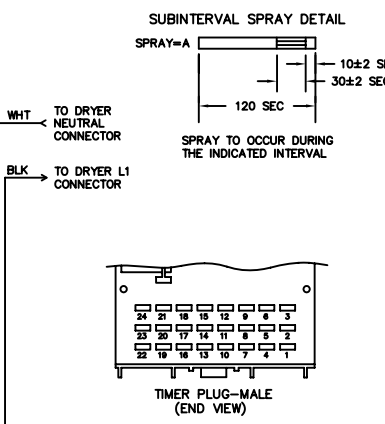
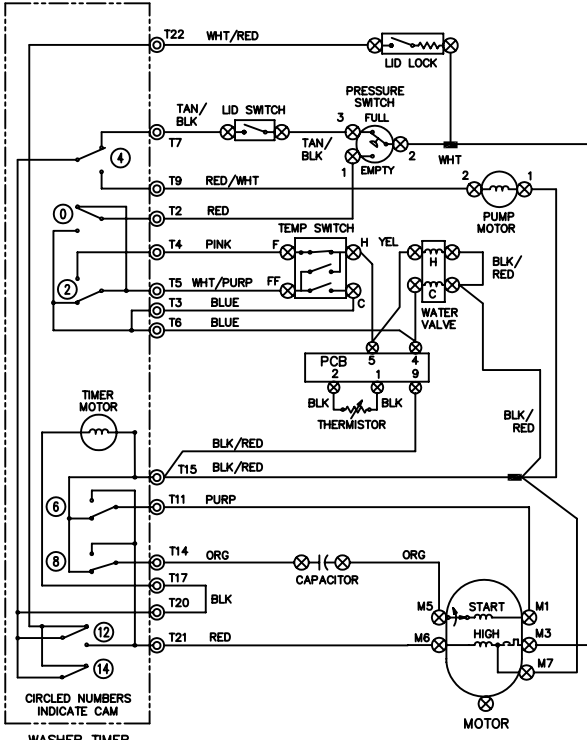
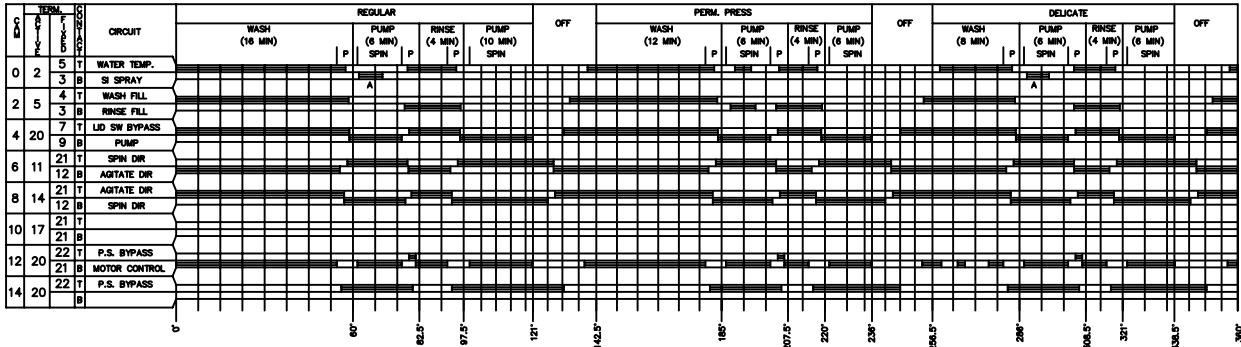


CAUTION: DISCONNECT ELECTRIC CURRENT BEFORE SERVICING



WIRING CODES

- ⊙ PLUG-IN TIMER
- ⊗ QUICK DISCONNECT TERMINAL
- CONNECTION
- + NO CONNECTION
- ⊕ MOTOR SWITCH
- ⊖ SPLICE
- ⊖ MOTOR PROTECTOR
- ⊖ CHASSIS (CABINET) GROUND
- ⊖ SCREW TERMINAL
- ⊖ HARNESS CONNECTOR TERMINAL
- ⊖ INSULATED TERMINAL

- NOTES:**
- ALL WIRING MUST CONFORM TO LOCAL ELECTRICAL CODES.
 - CONNECT DRYER TO 30 AMP INDIVIDUAL BRANCH CIRCUIT.
 - DRYER TIMER SHOWN IN OFF POSITION. DOOR SWITCH CLOSED, MOTOR AT REST, AN THERMOSTAT CLOSED, AND FABRIC SELECTOR SWITCH AT HIGH HEAT.
- WASHER TIMER SHOWN IN ON POSITION. TEMPERATURE SELECTOR SWITCH AT HOT WASH/COLD RINSE, AND PRESSURE SWITCH FULL.

TEMPERATURE SWITCH CIRCUIT

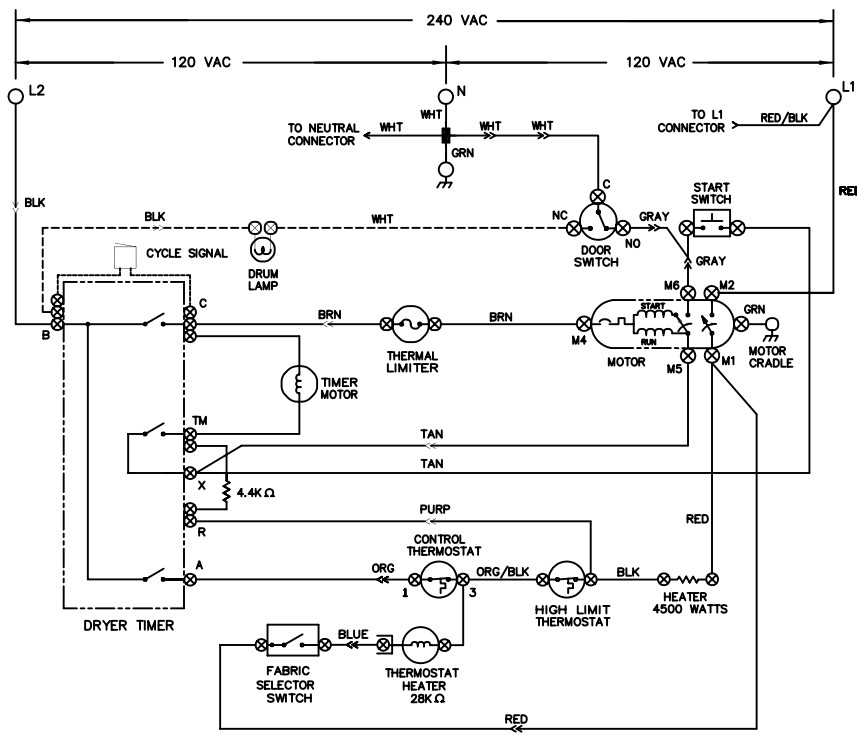
WASH/RINSE	F-H	FF-H	FF-C
HOT/COLD	X		
WARM/WARM (OPT)		X	X
COLD/COLD			X
WARM/COLD	X		X

X=CLOSED

CYCLES

CIRCUIT	AUTO DRY			TIMED DRY (MIN)							OFF
	31.7	15	0	105.3	90	75	60	45	30	15	
TIMER TM-X											
HEATER B-A											
MOTOR B-C											

THE BAR CHART ABOVE REPRESENTS ONE COMPLETE REVOLUTION OF TIMER SHAFT. SHADED PORTION OF BAR CHART INDICATES THE PROPORTIONAL TIMES THAT INTERNAL TIMER CONTACTS ARE CLOSED.

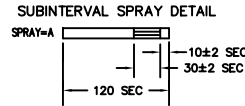
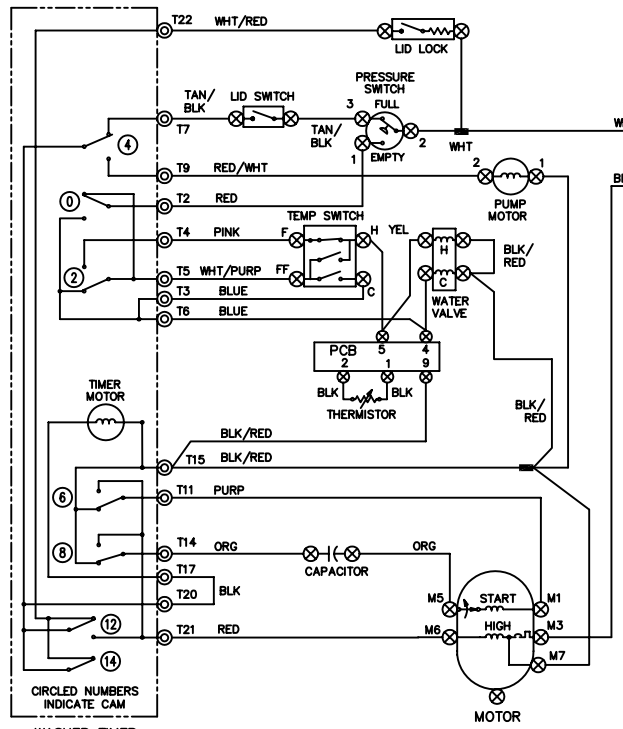
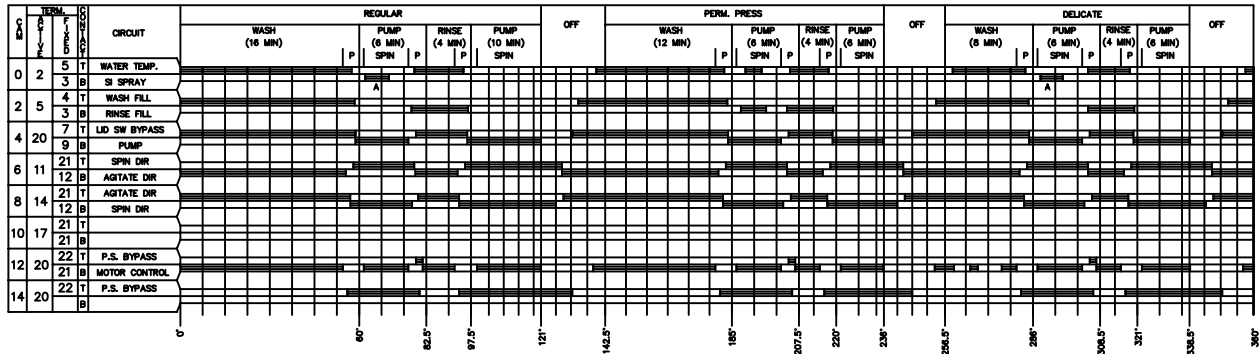


FABRIC SELECTOR SWITCH

POSITION	CIRCUIT
LOW HEAT	X
HIGH HEAT	X

X=CLOSED

CAUTION: DISCONNECT ELECTRIC CURRENT BEFORE SERVICING. LABEL ALL WIRES PRIOR TO DISCONNECTION WHEN SERVICING CONTROLS. WIRING ERRORS CAN CAUSE IMPROPER AND DANGEROUS OPERATION. VERIFY PROPER OPERATION AFTER SERVICING.



WIRING CODES

- ⊙ PLUG-IN TIMER
- ⊗ QUICK DISCONNECT TERMINAL
- CONNECTION
- NO CONNECTION
- ⊕ MOTOR SWITCH
- SPICE
- ⊖ MOTOR PROTECTOR
- ⊕ CHASSIS (CABINET) GROUND
- ⊕ SCREW TERMINAL
- ⊕ HARNESS CONNECTOR TERMINAL
- ⊕ INSULATED TERMINAL

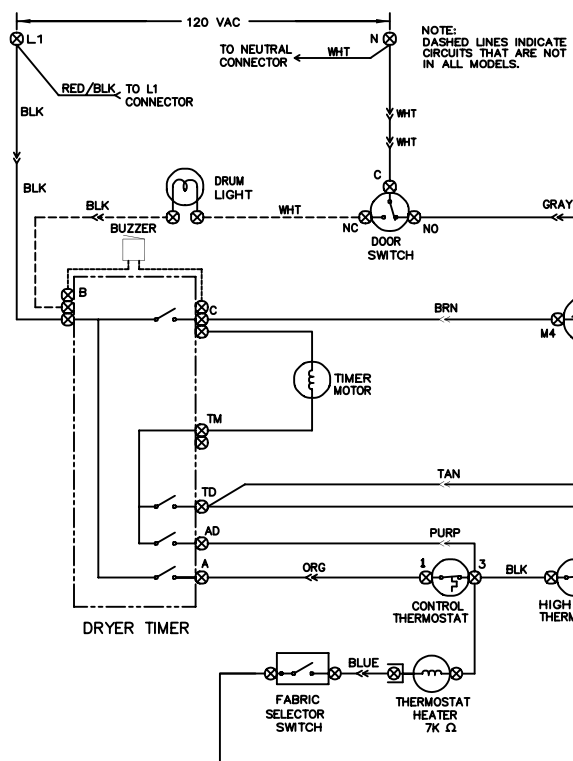
TEMPERATURE SWITCH CIRCUIT

WASH/RINSE	F-H	FF-H	FF-C
HOT/COLD	X		
WARM/WARM (OPT)		X	X
COLD/COLD			X
WARM/COLD	X		X

X=CLOSED

- NOTES:**
- ALL WIRING MUST CONFORM TO LOCAL ELECTRICAL CODES.
 - CONNECT DRYER TO 15 AMP INDIVIDUAL BRANCH CIRCUIT.
 - DRYER TIMER SHOWN IN OFF POSITION DOOR SWITCH CLOSED, MOTOR AT REST, AN THERMOSTAT CLOSED, AND FABRIC SELECTOR SWITCH AT HIGH HEAT.

WASHER TIMER SHOWN IN ON POSITION TEMPERATURE SELECTOR SWITCH AT HOT WASH/COLD RINSE, AND PRESSURE SWITCH FULL.



CYCLES

CIRCUIT	AUTO DRY			TIMED DRY (MIN)						OFF	
	31.7	15	0	105.3	90	75	60	45	30		15
TIMER	TM-AD										
TIMER	TM-TD										
HEATER	B-A										
MOTOR	B-C										

BAR CHART ABOVE REPRESENTS ONE COMPLETE REVOLUTION OF TIMER SHAFT. SHADED PORTION OF BAR CHART INDICATES THE PROPORTIONAL TIMES THAT INTERNAL TIMER CONTACTS ARE CLOSED.

FABRIC SELECTOR SWITCH

POSITION	CIRCUIT
LOW HEAT	X
HIGH HEAT	

X=CLOSED

G