

Installation Instructions
Instrucciones de instalación
Instructions d'installation
English / Español / Français



Kenmore®

Undercounter Dishwasher

Lavavajillas empotrado

Lave-vaisselle encastré

P/N W10300754A
Sears Brands Management Corporation
Hoffman Estates, IL 60179 U.S.A.
www.kenmore.com
www.sears.com
Sears Canada Inc.
Toronto, Ontario, Canada M5B 2C3
www.sears.ca



TABLE OF CONTENTS

DISHWASHER SAFETY	2
INSTALLATION REQUIREMENTS	3
Tools and Parts.....	3
Location Requirements.....	4
Drain Requirements	6
Water Supply Requirements	6
Electrical Requirements	6
INSTALLATION INSTRUCTIONS	7
Prepare Cabinet Opening—Existing Utilities.....	7
Prepare Cabinet Opening—New Utilities	7
Prepare and Route Water Line.....	9
ÍNDICE	26
TABLE DES MATIÈRES	51

Install Drain Hose	10
Prepare Dishwasher	13
Make Power Supply Cord Connection.....	14
Determine Cabinet Opening.....	16
Choose Attachment Option.....	16
Move Dishwasher Close to Cabinet Opening.....	18
Connect to Water Supply	20
Connect to Drain	20
Make Direct Wire Electrical Connection.....	21
Secure Dishwasher in Cabinet Opening	22
Complete Installation.....	24
Check Operation.....	25
If Dishwasher Does Not Operate.....	25
Additional Tips.....	25

DISHWASHER SAFETY

Your safety and the safety of others are very important.

We have provided many important safety messages in this manual and on your appliance. Always read and obey all safety messages.



This is the safety alert symbol.

This symbol alerts you to potential hazards that can kill or hurt you and others.

All safety messages will follow the safety alert symbol and either the word “DANGER” or “WARNING.” These words mean:

⚠ DANGER

You can be killed or seriously injured if you don't immediately follow instructions.

⚠ WARNING

You can be killed or seriously injured if you don't follow instructions.

All safety messages will tell you what the potential hazard is, tell you how to reduce the chance of injury, and tell you what can happen if the instructions are not followed.

⚠ WARNING



Tip Over Hazard

Do not use dishwasher until completely installed.

Do not push down on open door.

Doing so can result in serious injury or cuts.

You Need to:

- Slowly open dishwasher door while someone grasps the rear of the dishwasher. Remove shipping materials, drain hose and lower rack. Close dishwasher door until latched.
- Observe all governing codes and ordinances.
- Install this dishwasher as specified in these instructions.
- Installation should be performed by a qualified service technician. The dishwasher must be installed to meet all electrical and plumbing national and local codes and ordinances.


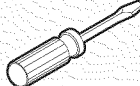
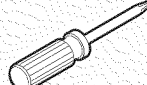
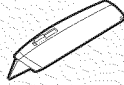
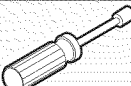
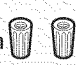
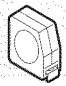
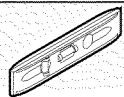


INSTALLATION REQUIREMENTS

Tools and Parts

Gather the recommended tools and parts before starting installation. Read and follow the instructions provided with any tools listed here.

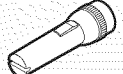


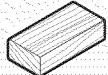
All Installations

Tools needed:


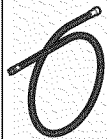
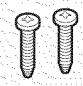
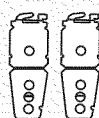
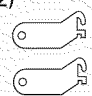
Pliers 	Flat-blade screwdriver 
Phillips screwdriver 	Utility knife 
5/16" and 1/4" nut drivers or hex sockets 	UL Listed/CSA Approved twist-on wire connectors* 
Measuring tape or ruler 	Small level 
10" adjustable wrench that opens to 1 1/8" (2.9 cm) 	5/8" open-end wrench 

*Must be the proper size to connect your household wiring to 16-gauge wiring in dishwasher.

Other useful items you may need:

Flashlight 	Bath towel 
Shallow pan 	Wood block 

Parts supplied:

Drain hose clamps (2) (1 large and 1 small)  Silver Green	Drain hose 	#10 x 1/2" Phillips-head screws (2) 	2 - under-counter mounting brackets (top) 	Under-counter side mount brackets (2) 
--	--	---	---	---

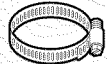

Make sure all these parts are included in the literature package.

Parts needed:

3/8" Compr x 3/4" hose fitting. Contact your local Sears Store to purchase Kit Number 11000.



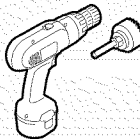
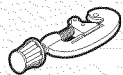
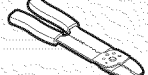
Other parts you may also need:

1 1/2"-2" (3.81- 5 cm) Screw-type clamps (3 maximum) 	Side mounting kit for solid surface countertops (Part Number 8212560)	Masking or duct tape 
--	---	--

NOTE: Parts available for purchase in plumbing supply stores. Check local codes. Check existing electrical supply. See "Electrical Requirements" section. It is recommended that electrical connections be made by a licensed electrical installer.

In addition, for first-time installations

Tools needed:

Cordless drill with 1/2", 3/4" and 1 1/2" hole saw bits 	Small tubing cutter 	Wire stripper 
--	--	--

Parts needed:

Copper tubing (3/8" O.D. suggested) or flexible braided water supply line 	See "Electrical Requirements" section.
	For Direct Wire: use UL Listed/CSA Approved strain relief to fit 7/8" (2.2 cm) hole
	For Power Supply Cord: use UL Listed/CSA Approved power supply cord kit marked for use with dishwasher

Location Requirements

Grounded electrical supply required.

Do not run drain lines, water lines or electrical wiring where they can interfere with or contact dishwasher motor or legs.

The location where the dishwasher will be installed must provide clearance between motor and flooring. Motor should not touch the floor.

Do not install dishwasher over carpeted flooring.

Shelter dishwasher and water lines leading to dishwasher against freezing. Damage from freezing is not covered by the warranty.

A side panel kit is available from your dealer for installing your dishwasher at the end of your cabinetry.

A moisture barrier accessory (Part Number 4396277) is available from your dealer for installing underneath the countertop.

Check location where dishwasher will be installed. The location must provide:

- easy access to water, electricity and drain.
- convenient access for loading and unloading dishes. Corner locations require a 2" (5.1 cm) minimum clearance between the side of the dishwasher door and the wall or cabinet.
- square opening for proper operation and appearance.
- cabinet front perpendicular to floor.
- level floor. (If floor at front of opening is not level with floor at rear of opening, shims may be needed to level dishwasher.)

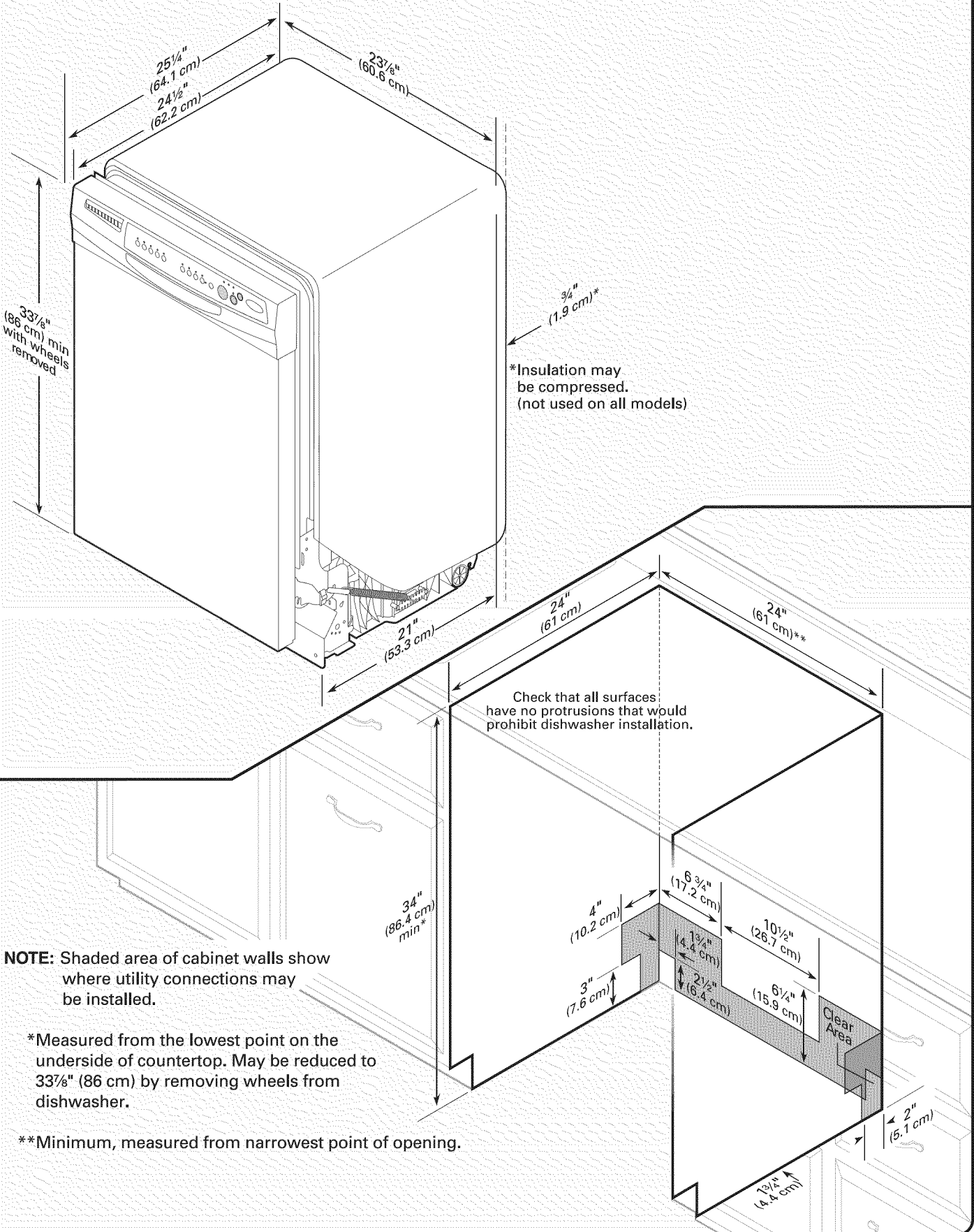
Helpful Tip: Be sure to accurately measure dimensions and ensure dishwasher is level if the floor in the dishwasher opening is uneven (example: Flooring extends only partway into opening).

NOTE: To avoid shifting during dishwasher operation, shims must be securely attached to the floor.

If dishwasher will be left unused for a period of time or in a location where it may be subject to freezing, have it winterized by authorized service personnel.

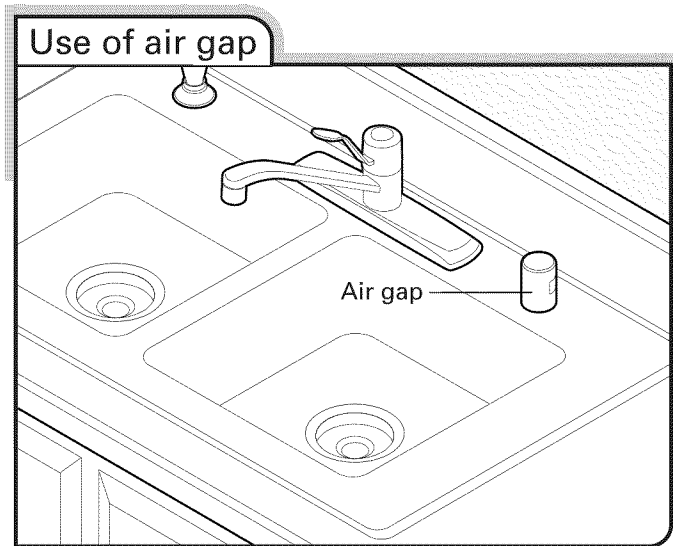
Make sure pipes, wires and drain hose are within the shaded area shown in the "Product and Cabinet Opening Dimensions" section.

Product and Cabinet Opening Dimensions



Drain Requirements

- A new drain hose is supplied with your dishwasher. If drain hose is not long enough, use a new drain hose with a maximum length of 12' (3.7 m) (Part Number 3385556) that meets all current AHAM/IAPMO test standards, is resistant to heat and detergent, and fits the 1" (2.5 cm) drain connector of the dishwasher.
- Make sure to connect drain hose to waste tee or disposer inlet above drain trap in house plumbing and 20" (50.8 cm) minimum above the floor. It is recommended that the drain hose either be looped up and securely fastened to the underside of the counter, or be connected to an air gap.



- Make sure to use an air gap if the drain hose is connected to house plumbing lower than 20" (50.8 cm) above subfloor or floor.
- Use 1/2" minimum I.D. drain line fittings.
- If required, the air gap should be installed in accordance with the air gap installation instructions. When you are connecting the air gap, a rubber hose (not provided) will be needed to connect to the waste tee or disposer inlet.

Water Supply Requirements

- A hot water line with 20 to 120 psi (138 to 862 kPa) water pressure can be verified by a licensed plumber.
- 120°F (49°C) water at dishwasher.
- 3/8" O.D. copper tubing with compression fitting or flexible braided water supply line (Part Number 4396897RP).
NOTE: 1/2" minimum plastic tubing is not recommended.
- A 90° elbow with 3/4" hose connection with rubber washer.
- Do not solder within 6" (15.2 cm) of the water inlet valve.

Electrical Requirements

Be sure that the electrical connection and wire size are adequate and in conformance with the National Electrical Code, ANSI/NFPA 70 - latest edition and all local codes and ordinances.

A copy of the above code standards can be obtained from:
National Fire Protection Association
1 Batterymarch Park
Quincy, MA 02269

You must have:

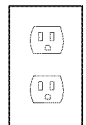
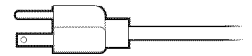
- 120-volt, 60 Hz, AC-only, 15- or 20-amp, fused electrical supply.
- Copper wire only.

We recommend:

- A time-delay fuse or circuit breaker.
- A separate circuit.

If connecting dishwasher with a power supply cord:

- Use UL Listed power supply cord kit (Part Number 4317824) marked for use with dishwasher.
- Power supply cord must plug into a grounded 3 prong outlet, located in the cabinet next to the dishwasher opening. Outlet must meet all local codes and ordinances.



If connecting dishwasher with direct wiring:

- Use flexible, armored or nonmetallic sheathed, copper wire with grounding wire that meets the wiring requirements for your home and local codes and ordinances.
- Use a UL Listed/CSA Approved strain relief.



INSTALLATION INSTRUCTIONS

⚠️ WARNING



Electrical Shock Hazard

Disconnect electrical power at the fuse box or circuit breaker box before installing dishwasher.
Failure to do so can result in death or electrical shock.

1 Disconnect power

Disconnect electrical power at the fuse box or circuit breaker box before installing dishwasher.

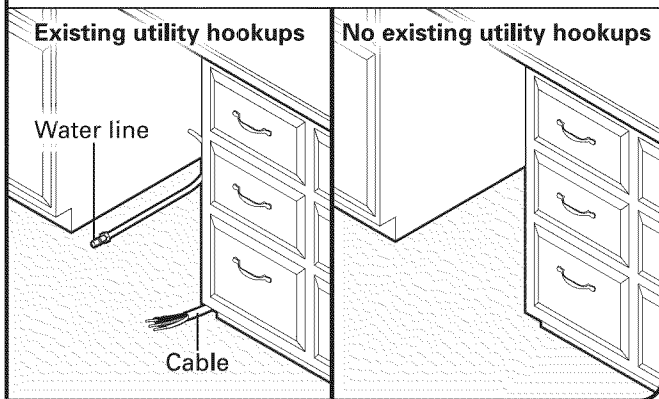
2 Shut off water supply

Shut off the water supply to the dishwasher.

3 Do you already have utility hookups?

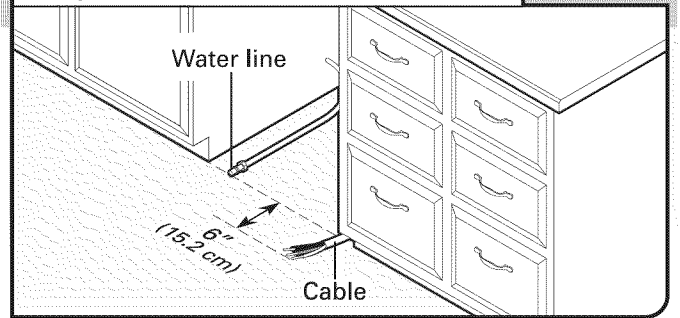
Yes —Follow instructions in the “Prepare Cabinet Opening—Existing Utilities” section.

No —Follow instructions in the “Prepare Cabinet Opening—New Utilities” section.



Prepare Cabinet Opening—Existing Utilities

1 Check water and electrical placement

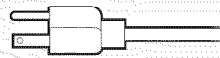


If the water line and the cable extend to the locations shown, proceed to the “Install Drain Hose” section. If they do not reach far enough, follow the instructions in the “Prepare Cabinet Opening—New Utilities” section.

Prepare Cabinet Opening—New Utilities

Prepare and route the electrical supply

What type of electrical connection will you use?



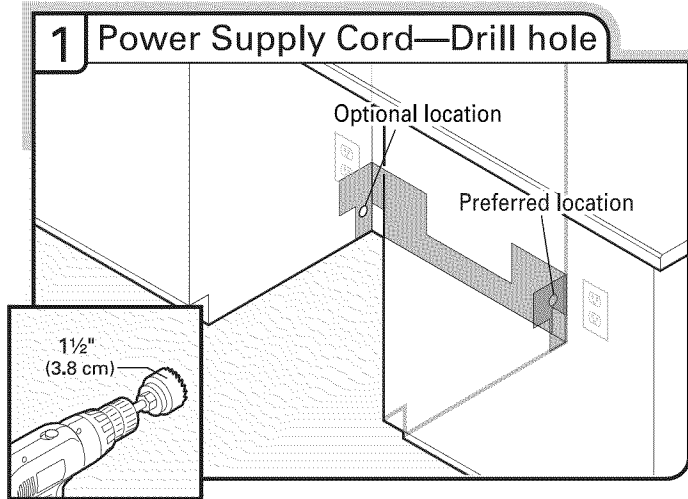
Power Supply Cord:
Follow Option A instructions



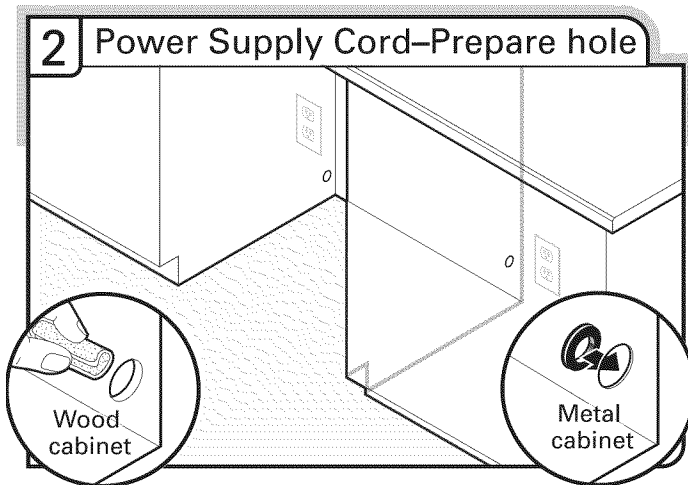
Direct Wire:
Follow Option B instructions

Option A, Power Supply Cord:

NOTE: A grounded 3 prong outlet is required inside a cabinet next to the dishwasher cabinet opening.



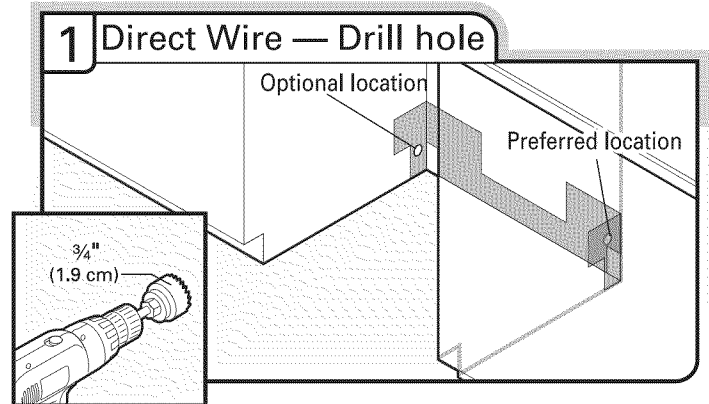
Drill a 1 1/2" (3.8 cm) hole in cabinet side or rear.
See "Product and Cabinet Opening Dimensions" section.



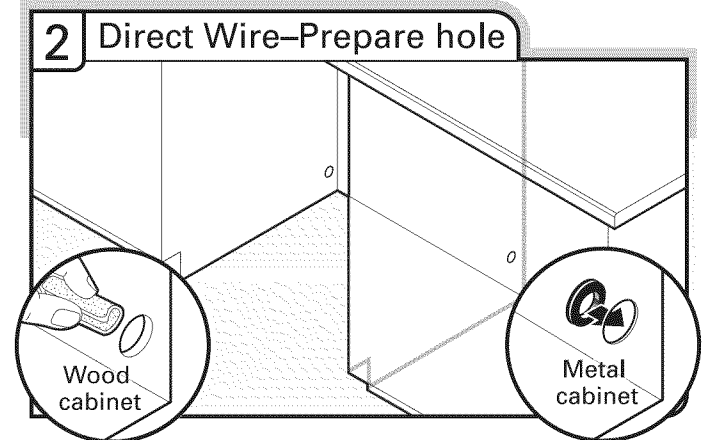
Wood cabinet: Sand the hole until smooth.
Metal cabinet: Cover hole with grommet included with power supply cord kit.

Option B, Direct Wire:

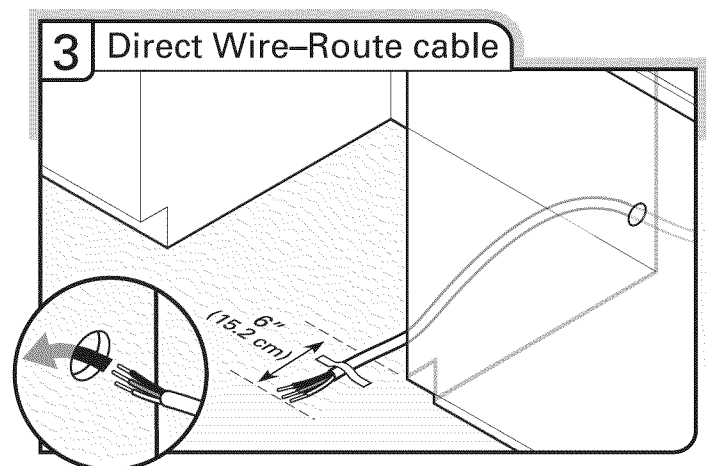
Helpful Tip: Wiring the dishwasher will be easier if you route the cable into the cabinet opening from the right-hand side.



Drill a 3/4" (1.9 cm) hole in right-hand cabinet side or rear.
See "Product and Cabinet Opening Dimensions" section.



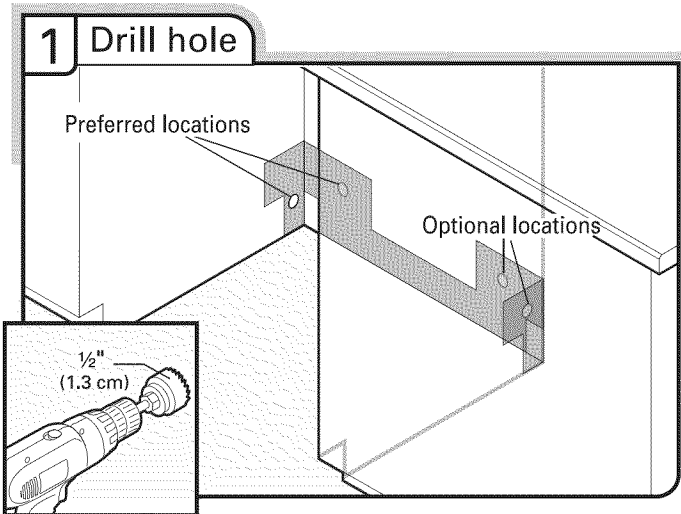
Wood cabinet: Sand the hole until smooth.
Metal cabinet: Cover hole with grommet (Part Number 302797 - not provided).



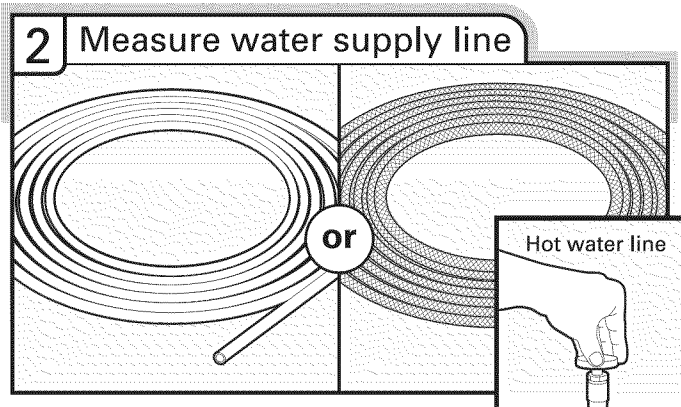
Route cable from power supply through cabinet hole (cable must extend to the right front side of cabinet opening). Tape cable to the floor in area shown. This will prohibit cable from moving when dishwasher is moved into cabinet opening.

Prepare and Route Water Line

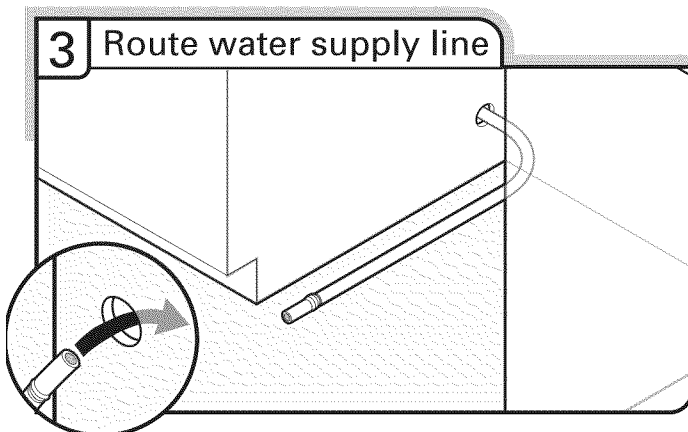
Helpful Tip: Routing the water line through the left side of cabinet opening will make water connection easier.



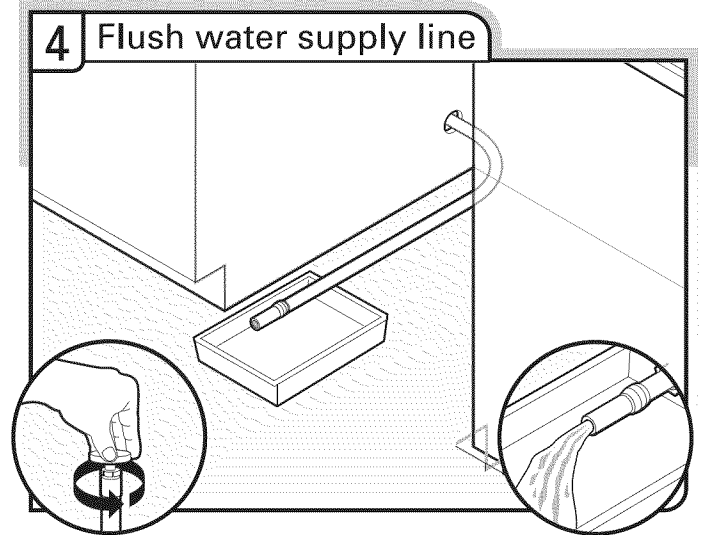
Drill a 1/2" (1.3 cm) hole in the cabinet side or rear.



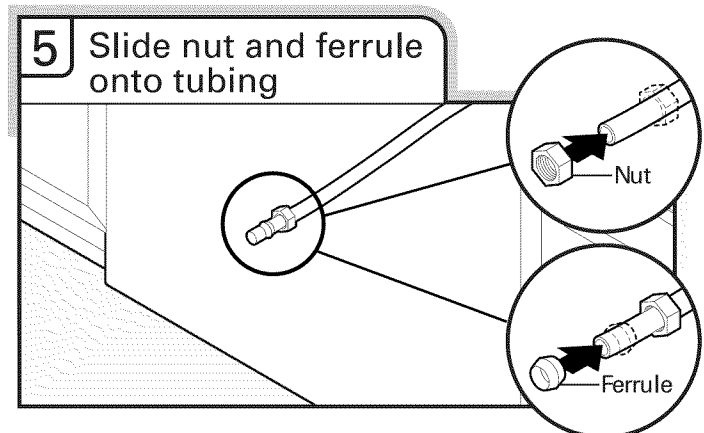
Measure overall length of copper tubing or flexible braided water supply line. Attach to the hot water line using a connection configuration that is in compliance with local codes and ordinances. The water line to the dishwasher should have a manual shutoff valve.



Slowly route water supply line through hole in cabinet. (If you are using copper tubing, it will bend and kink easily, so be gentle.) It should be far enough into the cabinet opening to connect it to the dishwasher inlet on the front left side of the dishwasher.



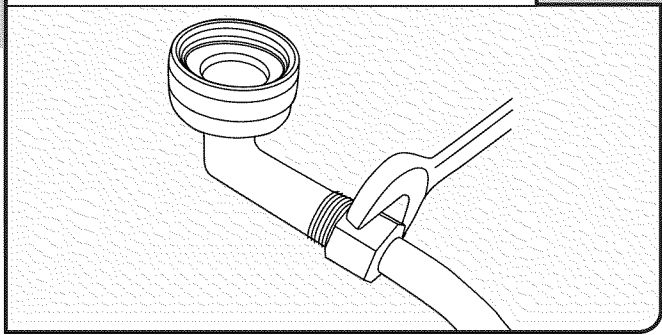
Slowly turn water shutoff valve to "ON" position. Flush water into a shallow pan until clear to get rid of particles that could clog the inlet valve. Turn shutoff valve to "OFF" position.



Copper tubing only: Slide nut, then ferrule, about 1" (2.5 cm) onto copper tubing.

NOTE: To avoid vibration during operation, route the water supply line so that it does not touch the dishwasher base, frame or motor.

6 Add 90° elbow fitting to the water supply line



Connect the $\frac{3}{8}$ " compression fitting to the water supply line prior to installing the unit into the cabinet opening. Attach such that the $\frac{3}{4}$ " connection is facing upward as shown above.

Copper tubing only: Put the tubing into the 90° elbow fitting as far as it will go (the copper tubing bends and kinks easily). Slide the nut and ferrule forward and start the nut onto the elbow threads.

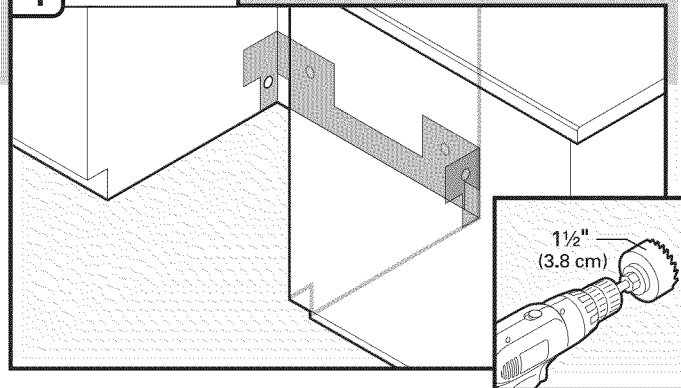
Flexible braided connection: Secure nut to elbow using $\frac{5}{8}$ " open ended wrench or adjustable wrench.

NOTE: Do not use Teflon® tape with compression fittings.

Install Drain Hose

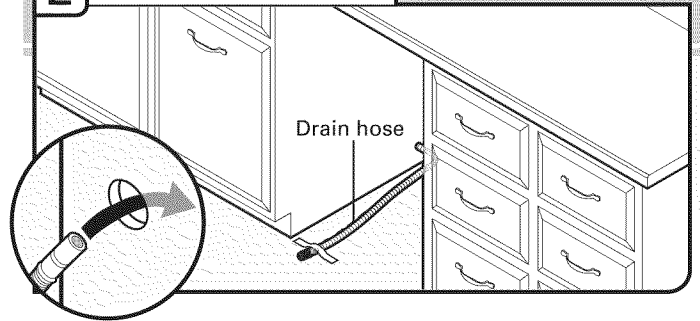
IMPORTANT: Always use a new drain hose. Check local codes to determine whether an air gap is required.

1 Drill hole



If needed, drill a $1\frac{1}{2}$ " (3.8 cm) diameter hole in cabinet wall or side of the opening closest to the sink.

2 Route drain hose



Route drain hose as shown through hole in cabinet to the front center of opening where drain connection will be made. Tape drain hose to the floor in area shown. This will prohibit it from moving when dishwasher is moved into cabinet opening.

3 Connect drain hose

Connect drain hose to waste tee or waste disposer using one of the following options:

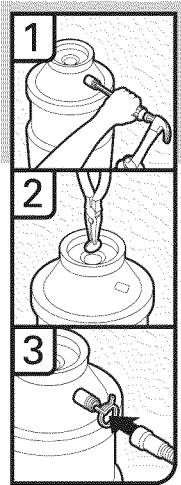
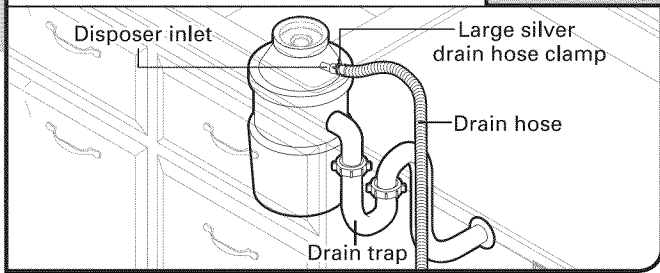
- Option A, Waste disposer – no air gap
- Option B, No waste disposer – no air gap
- Option C, Waste disposer – with air gap
- Option D, No waste disposer – with air gap

IMPORTANT: The drain hose connection of the disposer or a waste tee must be made before the drain trap and at least 20" (50.8 cm) above the floor where the dishwasher will be installed.

Helpful Tip: To reduce vibration of the hose, keep the hose away from the floor.

Option A, Waste disposer – no air gap

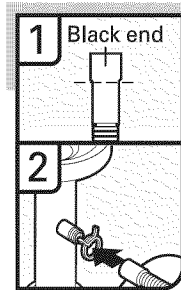
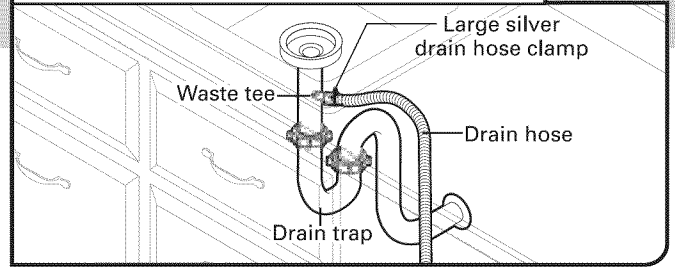
Waste disposer – no air gap



1. Using a hammer and screwdriver, knock plug into disposer.
2. Use needle-nose pliers to remove plug.
3. Attach drain hose to disposer inlet with large silver drain hose clamp (provided). Use pliers to squeeze clamp open and move into position.

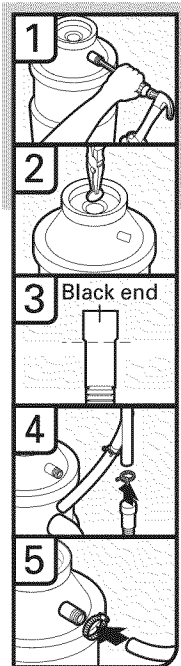
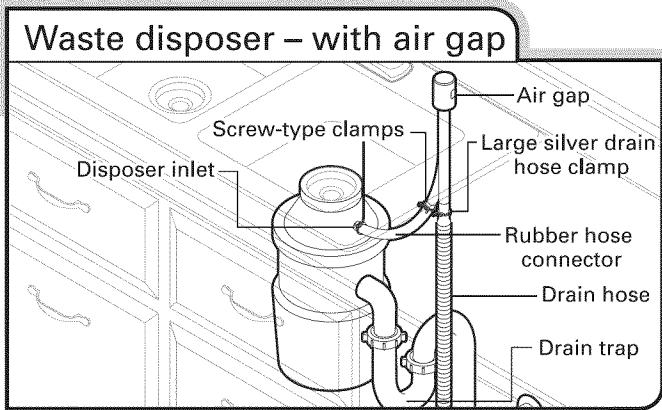
Option B, No waste disposer – no air gap

No waste disposer – no air gap



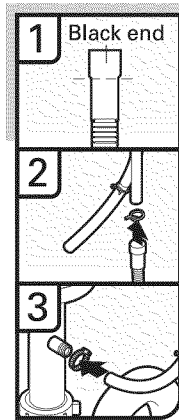
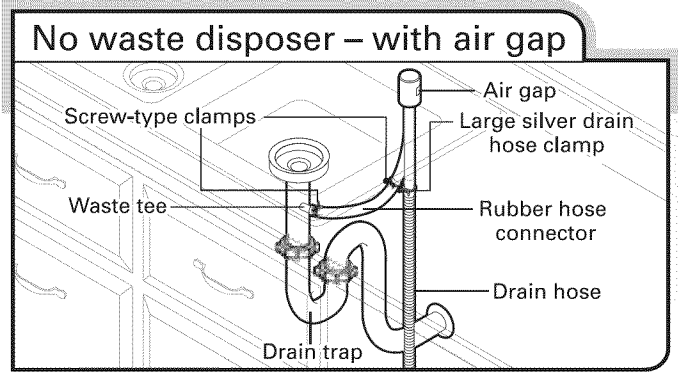
1. Connect black end of drain hose to waste tee and cut if needed.
NOTE: Do not cut ribbed section.
2. Attach black end of drain hose to waste tee with a large silver drain hose clamp (provided). Use pliers to squeeze clamp open and move into position. If the drain hose was cut, use a 1½" to 2" (3.8 to 5 cm) screw-type clamp (not provided).

Option C, Waste disposer – with air gap



1. Using a hammer and screwdriver, knock plug into disposer.
2. Use needle-nose pliers to remove plug.
3. Connect black end of drain hose to air gap and cut if needed.
NOTE: Do not cut ribbed section.
4. Attach drain hose to air gap with large silver drain hose clamp (provided). Use pliers to squeeze clamp open and move into position. If the drain hose was cut, use a 1½" to 2" (3.8 to 5 cm) screw-type clamp (not provided).
5. Use a rubber hose (not provided) with screw-type clamps (not provided) to connect from air gap to disposer inlet.

Option D, No waste disposer – with air gap



1. Connect black end of drain hose to air gap and cut if needed.
NOTE: Do not cut ribbed section.
2. Attach drain hose to air gap with large silver drain hose clamp (provided). Use pliers to squeeze clamp open and move into position. If the drain hose was cut, use a 1½" to 2" (3.8 to 5.1 cm) screw-type clamp (not provided).
3. Use a rubber hose (not provided) with screw-type clamps (not provided) to connect from waste tee to air gap.

Prepare Dishwasher

⚠ WARNING



Tip Over Hazard

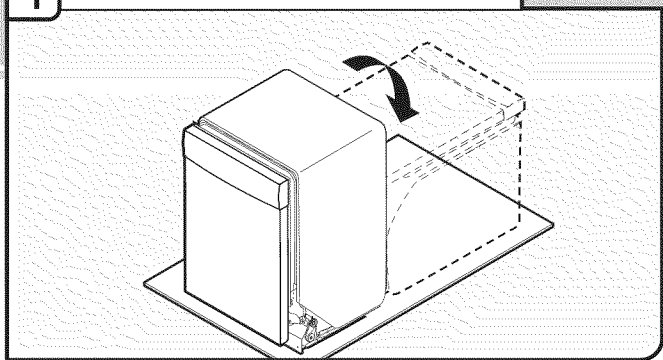
Do not use dishwasher until completely installed.
Do not push down on open door.
Doing so can result in serious injury or cuts.

⚠ WARNING

Excessive Weight Hazard

Use two or more people to move and install dishwasher.
Failure to do so can result in back or other injury.

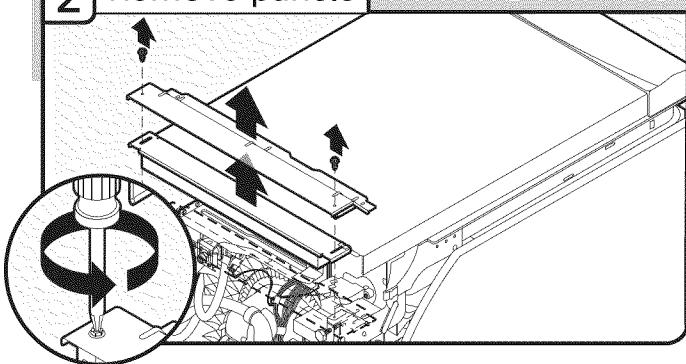
1 Put dishwasher on its back



Helpful Tip: Place cardboard under dishwasher until installed in cabinet opening to avoid damaging floor covering. Do not use door panel as a worktable without first covering with a towel to avoid scratching the door panel.

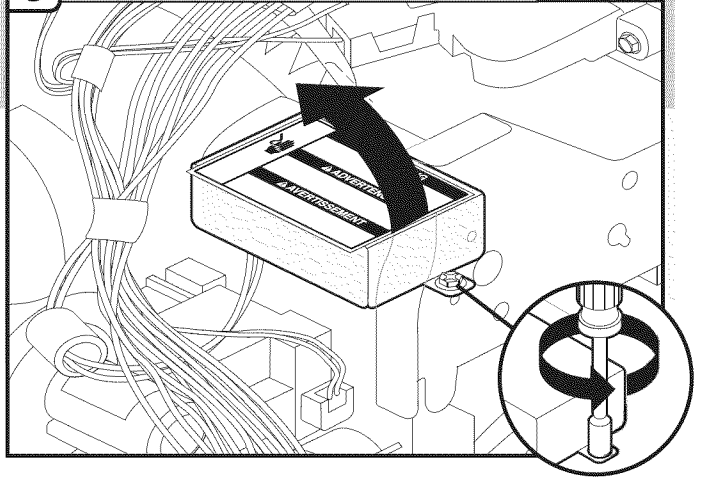
Using two or more people, grasp sides of dishwasher door frame and place dishwasher on its back.

2 Remove panels



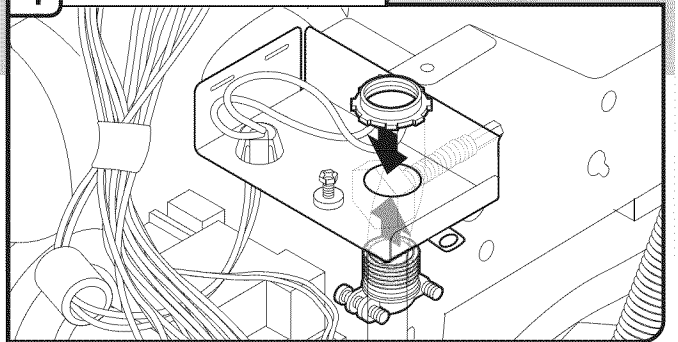
Using a 1/4" hex head socket, nut driver or Phillips screwdriver, remove 2 screws attaching access panel and lower panel to dishwasher. Do not remove tech sheet from access panel.

3 Remove terminal box cover



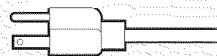
Using a 1/4" hex head socket, nut driver or Phillips screwdriver, remove terminal box cover. Retain for later use.

4 Install strain relief



Install a UL Listed/CSA Approved strain relief. Make sure screw heads are facing to the left when tightening conduit nut. Strain relief is provided with the power supply cord kit.

What type of electrical connection will you use?



Power Supply Cord:
Follow Option A instructions



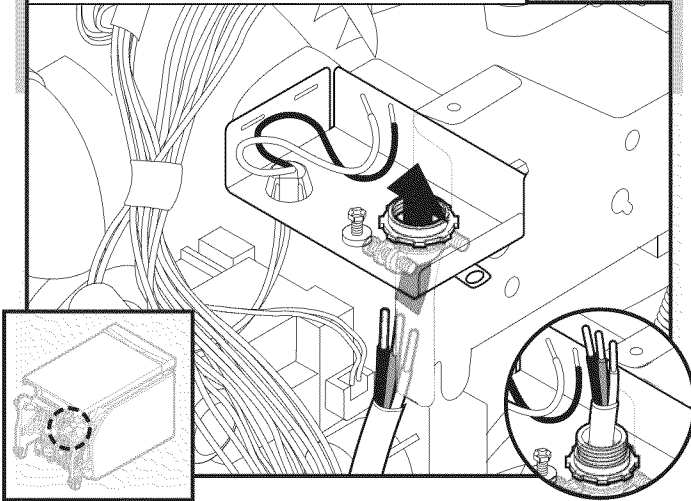
Direct Wire:
Follow Option B instructions

NOTE: If using Option B, proceed to "Determine Cabinet Opening," to continue with the installation of your dishwasher.

Make Power Supply Cord Connection

Option A, Power Supply Cord:

1 Power Cord—Route cord into terminal box



Route cord so that it does not touch dishwasher motor to lower part of dishwasher tub. Pull cord through strain relief in terminal box.

Select UL Listed/CSA Approved twist-on wire connectors rated to connect your power supply cord to 16-gauge dishwasher wiring.

⚠ WARNING



Electrical Shock Hazard

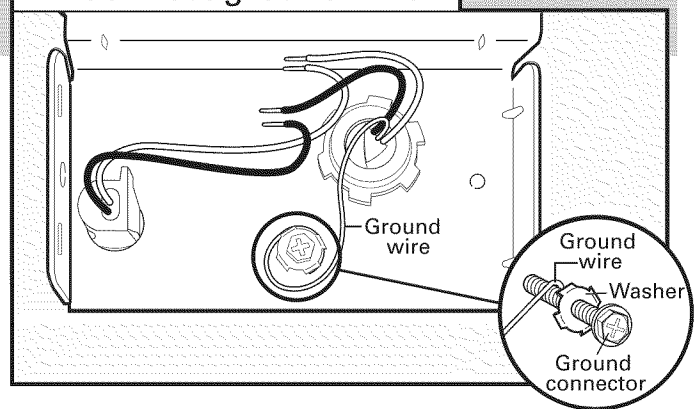
Electrically ground dishwasher.

Connect ground wire to green ground connector in terminal box.

Do not use an extension cord.

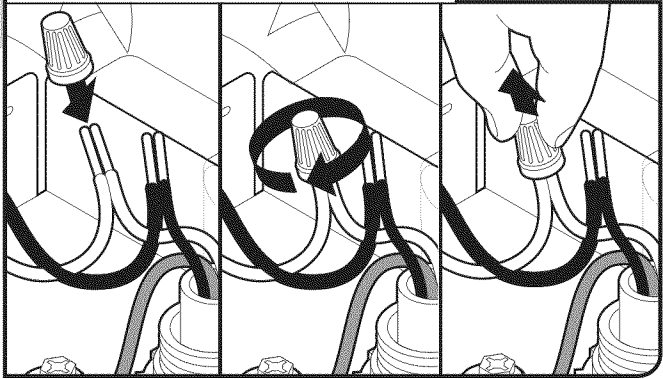
Failure to follow these instructions can result in death, fire, or electrical shock.

2 Power Supply Cord—Connect ground wire



Remove the green grounding screw and place through the ring terminal of the green ground wire. Reattach and tighten the green screw.

3 Power Cord—Connect remaining wires



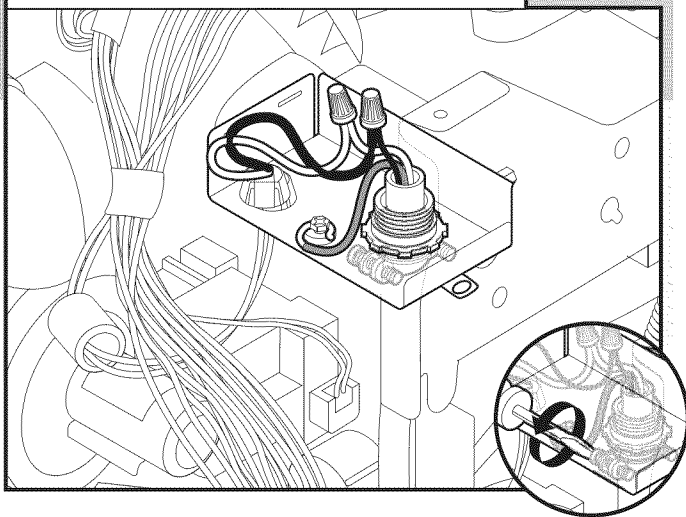
NOTE: Do not pre-twist stranded wire. Twist on wire connector. Gently tug on wires to be sure both are secured.

Connect wires black to black and white to white, using UL Listed/CSA Approved twist-on wire connectors.

Wiring configuration

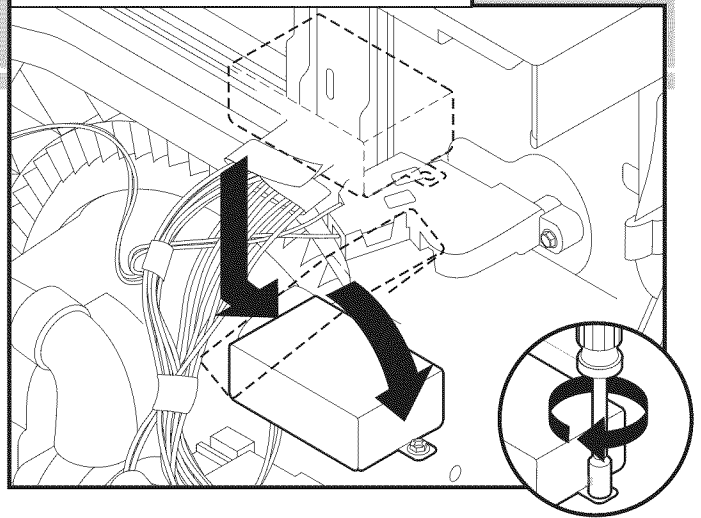
Power supply wire:		Terminal box wire:
white	↔	white
black	↔	black
ground wire	↔	ground connector

4 Power Cord—Secure cord on strain relief



Tighten strain relief screws to secure cord.

5 Power Cord—Reinstall terminal box cover

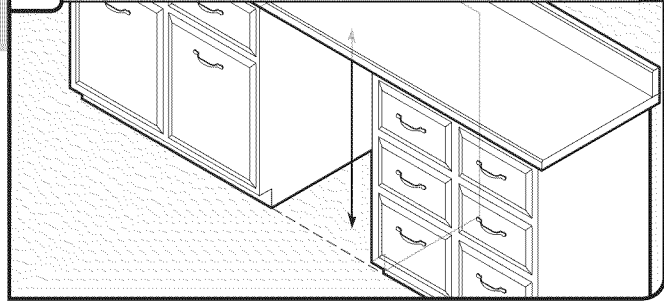


Place wires inside terminal box. Insert tabs on left side of cover. Make sure wires are tucked inside box. Close cover ensuring wires are not pinched. Use 1/4" nut driver and previously removed screw to secure cover.

NOTE: Do not plug into outlet until instructed to do so.

Determine Cabinet Opening

1 Measure cabinet opening



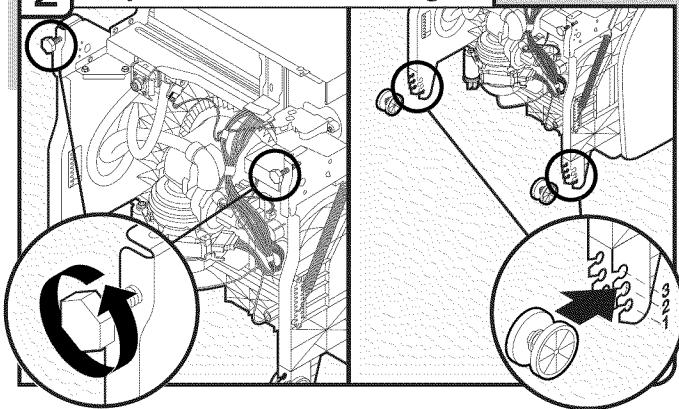
Measure height of cabinet opening from underside of countertop to floor where dishwasher will be installed (you will need to measure the lowest point on the underside of the countertop and the highest point on the floor). Refer to "Dishwasher Height Adjustment Chart" for wheel position and the number of turns needed.

Dishwasher Height Adjustment Chart

Cabinet opening height	Wheel position	Number of turns on front leg
33 $\frac{7}{8}$ " (86.0 cm)	Removed	All the way up
34" (86.4 cm)	1	10
34 $\frac{1}{4}$ " (87.0 cm)	2	5
34 $\frac{1}{2}$ " (87.6 cm)	3	0

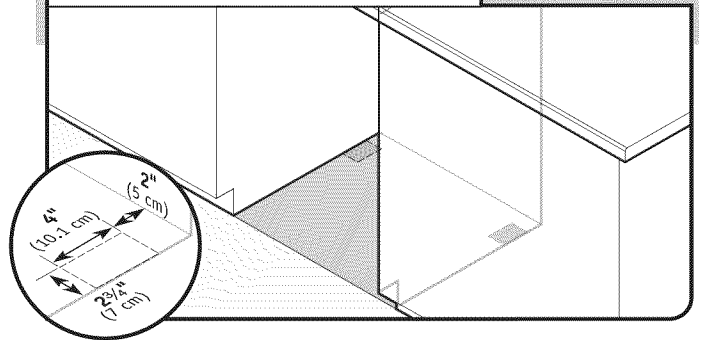
NOTE: If the minimum cabinet opening height is less than 34" (86.4 cm), the rear wheels can be removed for additional clearance. This will allow the dishwasher to fit into a 33 $\frac{7}{8}$ " (86 cm) high cabinet opening, but the dishwasher will be more difficult to move. (Measurements are approximate. Wheels and legs are preset at the factory for 34 $\frac{1}{2}$ " [87.6 cm].)

2 Adjust wheels and legs



Turn both leveler legs to the same height. Put wheels in the required position determined from "Dishwasher Height Adjustment Chart." To change wheel position, use a flat-blade screwdriver to pop out the wheel, then snap into the new position.

3 Built-up Floors—Add shims as needed



Built-up floors: If the kitchen floor is higher than the cabinet opening's floor - for example, the kitchen floor tile does not extend into the cabinet opening - add shims as needed in the area shown to bring the dishwasher up to 34" (86.4 cm) below the countertop.

NOTE: Shims must be securely attached to floor to avoid movement when the dishwasher is in use.

Choose Attachment Option

⚠ WARNING

Excessive Weight Hazard

Use two or more people to move and install dishwasher.

Failure to do so can result in back or other injury.

Using 2 or more people, stand the dishwasher up.

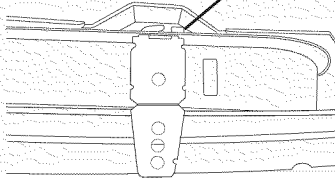
IMPORTANT: The dishwasher must be secured to the cabinet. There are two brackets, found in the parts bag, attach the brackets to the top of the dishwasher if the countertop is wood, laminate or another similar surface. If your countertop is marble, granite or another hard surface, install using Option Number 2 or 3.

Option 1, Countertop Attachment

1. Remove the brackets from the package and place in the open slots on the left and right-hand top of the dishwasher collar as shown.

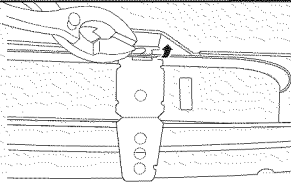
Install mounting bracket

Tabs must point to the right



2. Insert the bracket into the slot on the collar. Using a pair of pliers, bend the tab down to secure the bracket in place. Repeat this step for the other side.

Bend tab - top mount



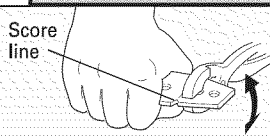
NOTE: Do not attach the dishwasher. This will be done later.

Option 2, Side Attachment - For Dishwashers With Stainless Steel Tubs

For marble, granite, or other hard surface countertops

1. Remove the brackets from the parts package.
2. Break off the end of the bracket along the scored line.

Score line

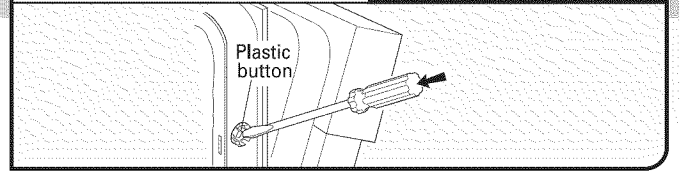


3. With another person holding the rear of the dishwasher to keep it from tipping, open dishwasher door and place towel over pump assembly and spray arm of dishwasher. This will keep screws from falling into pump area when you are securing dishwasher to cabinet.

4. Push the plastic buttons out of the side of the tub.

NOTE: Save the buttons to cover the holes after dishwasher is installed.

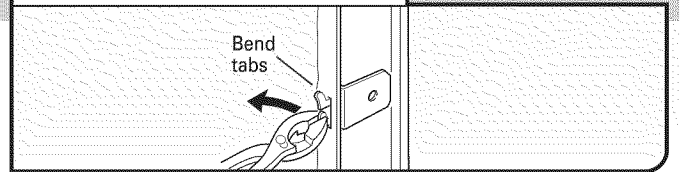
Install plastic button



5. Push bracket into slot on the side of dishwasher and bend tab in toward the side of the dishwasher so that it keeps the bracket in place.

NOTE: Do not attach the dishwasher. This will be done later.

Bend tab - side mount



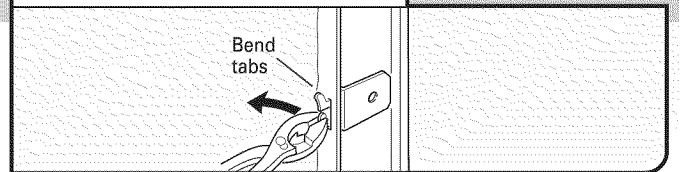
Option 3, Side Attachment - For Dishwashers With Plastic Tubs

For marble, granite, or other hard surface countertops

1. Remove the brackets from the parts package.
2. Push bracket into slot on the side of dishwasher and bend tab in toward the side of the dishwasher so that it keeps the bracket in place.

NOTE: Do not attach the dishwasher. This will be done later.

Bend tab - side mount



Move Dishwasher Close to Cabinet Opening

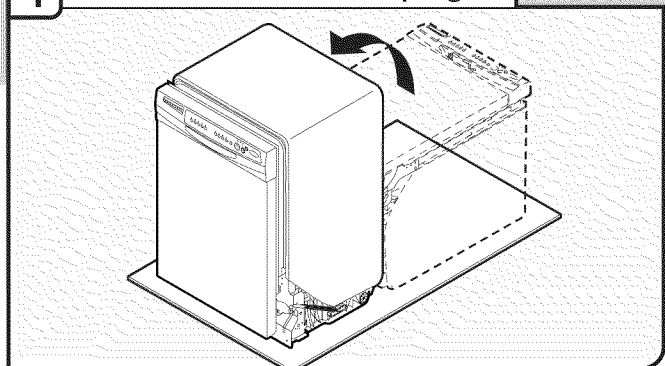
! WARNING

Excessive Weight Hazard

Use two or more people to move and install dishwasher.

Failure to do so can result in back or other injury.

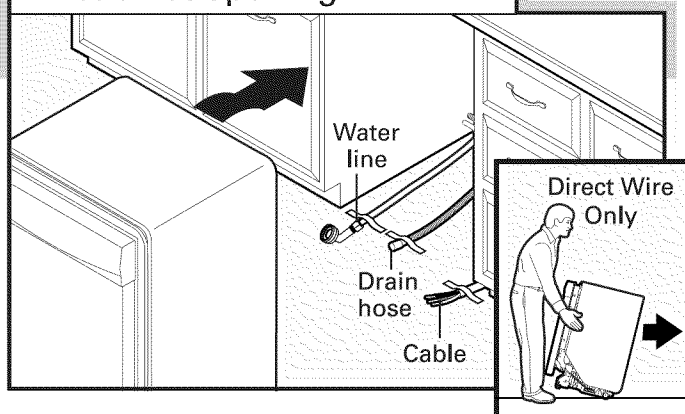
1 Stand dishwasher upright



Using 2 or more people, stand dishwasher upright.

NOTE: Do not install kick plate until instructed to do so

2 Move dishwasher close to cabinet opening

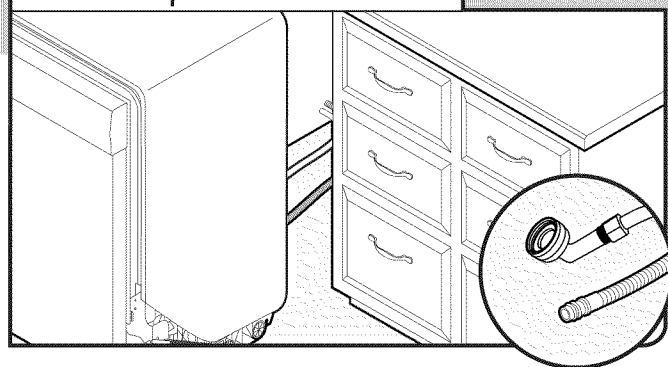


IMPORTANT: Double-check correct placement of utilities. Grasp the sides of the dishwasher at the edges of the door panel. Tilt dishwasher backward on wheels and move dishwasher close to cabinet opening.

NOTE: Do not push on the front of the panel or on the console. Panel or console may dent.

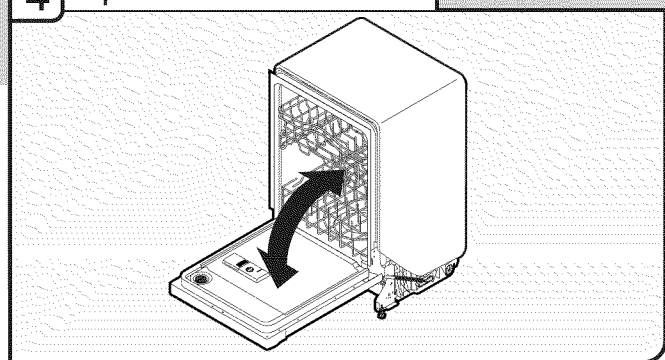
Helpful Tip: Temporarily tape utilities to the floor in the locations shown to prohibit them from moving when dishwasher is moved into the cabinet opening.

3 Check water and drain hose position



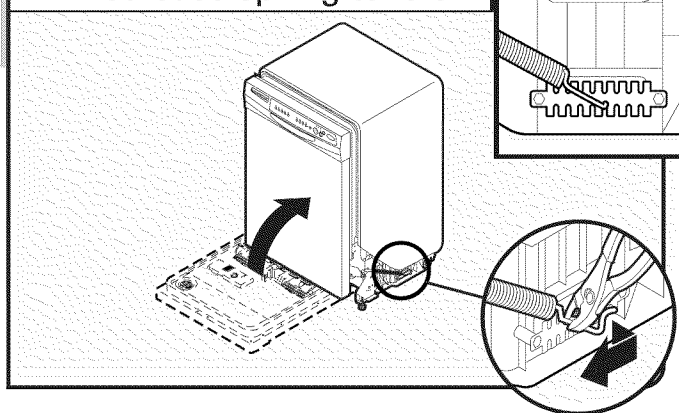
Check that water line is on the left side of opening and drain hose is near the center of the cabinet opening.

4 Open and close door



With another person holding the dishwasher to keep it from tipping, open and close the door a few times. If the door closes or falls open under its own weight, the door tension will need to be adjusted.

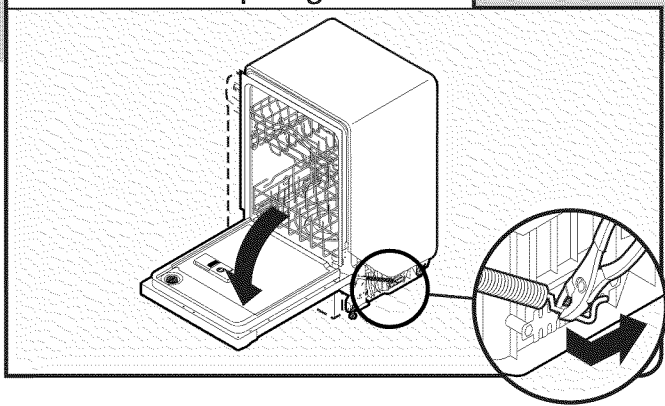
5 Closes too quickly— Decrease spring tension



If the door closes too quickly, decrease the spring tension by moving the spring end toward the front of the dishwasher.

NOTE: Springs should be in the same notches on left and right sides.

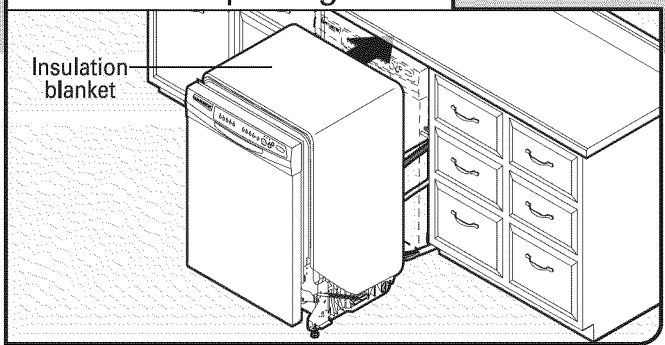
6 Door falls open— Increase spring tension



If the door falls open, increase the spring tension by moving the spring end toward the back of the dishwasher.

NOTE: Springs should be in the same notches on left and right sides.

7 Move dishwasher into cabinet opening

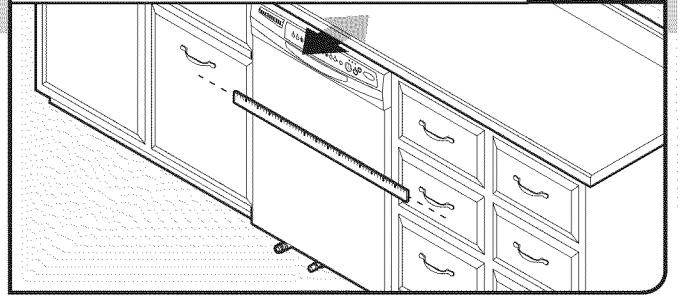


IMPORTANT: If wheels were removed, cover the floor when moving the dishwasher to avoid damage to the floor. Slowly move dishwasher completely into cabinet opening. Do not kink or pinch water line, drain hose, power supply cord or direct wire between dishwasher and cabinet. Remove cardboard from under dishwasher.

NOTES:

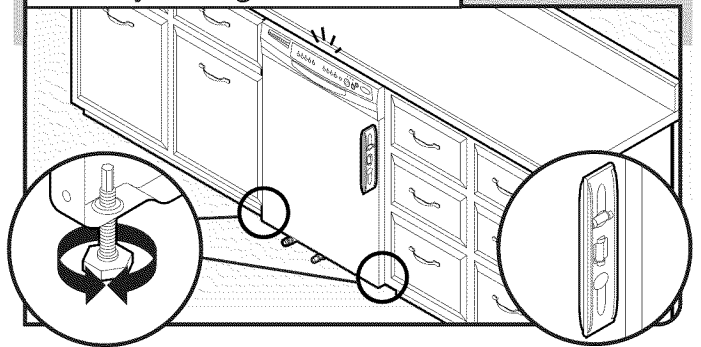
- It is all right if dishwasher fits tightly into cabinet opening. Do not remove insulation blanket – the blanket reduces the sound level.
- If using power cord, make sure to route end through hole in cutout before sliding dishwasher into cabinet opening.

8 Align front of dishwasher with front of cabinet doors



Align front of dishwasher door panel with front of cabinet doors. You may need to adjust alignment to be even with your cabinets.

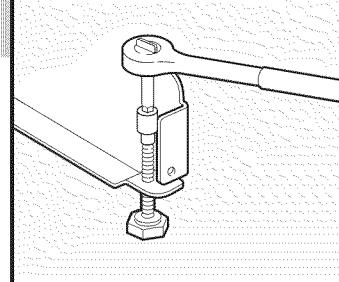
9 Check for plumb and adjust legs if needed



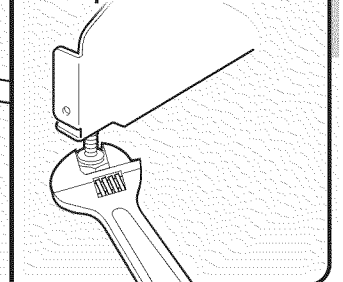
Check that leveling legs are firmly against the floor. Close and latch the door, and place level against the front panel. Check that dishwasher is centered from front to back in the opening. If needed, adjust leveling leg until dishwasher is plumb. Repeat for other side of dishwasher.

Helpful Tip: Push up on front of dishwasher to raise dishwasher off the ground to adjust front legs. With some installations, it may be easier to adjust the front leg using the $\frac{3}{16}$ " hex head socket or adjustable wrench.

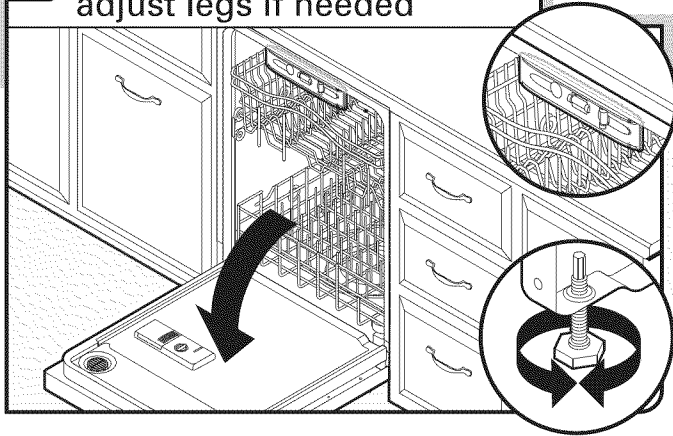
Preferred method



Optional method



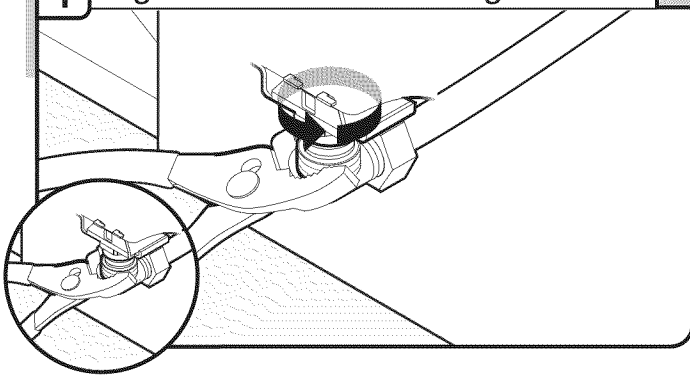
10 Check level side to side and adjust legs if needed



Place level against top front opening of tub. Check that dishwasher is level from side-to-side. If dishwasher is not level, adjust front legs up or down until dishwasher is level.

Connect to Water Supply

1 Tighten 90° elbow fitting to valve

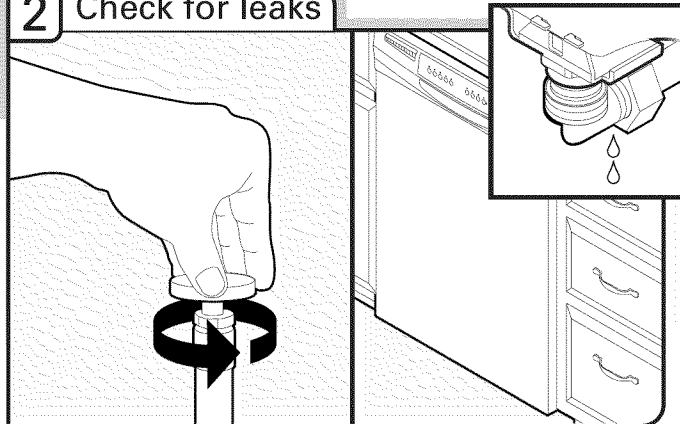


Be sure rubber washer is properly seated in fitting. Slide the 3/4" fitting up to the valve and hand tighten to avoid cross-threading. Hand tighten until the coupling is tight.

Using pliers, check the tightness of the coupling. An additional 1/4 to 1/2 turn may be required to seal the rubber gasket.

NOTE: Do not overtighten. Damage to the coupling can result.

2 Check for leaks

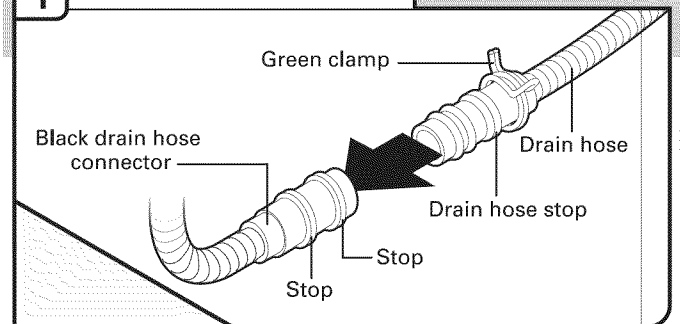


Place paper towel under 90° elbow fitting. Turn on water supply and check for leaks. If leak occurs, repeat previous step.

NOTE: Do not use Teflon[®] tape with compression fittings.

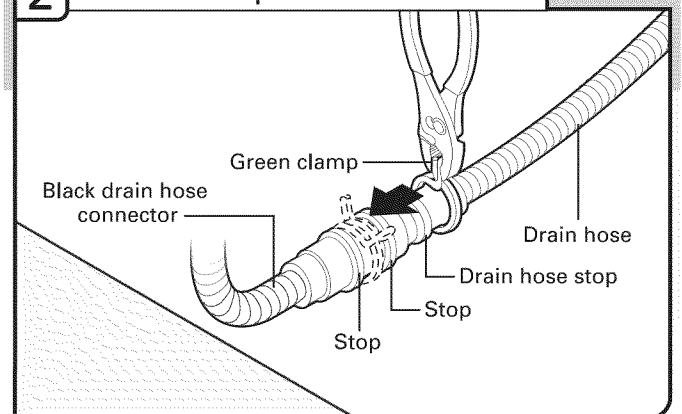
Connect to Drain

1 Connect drain hose



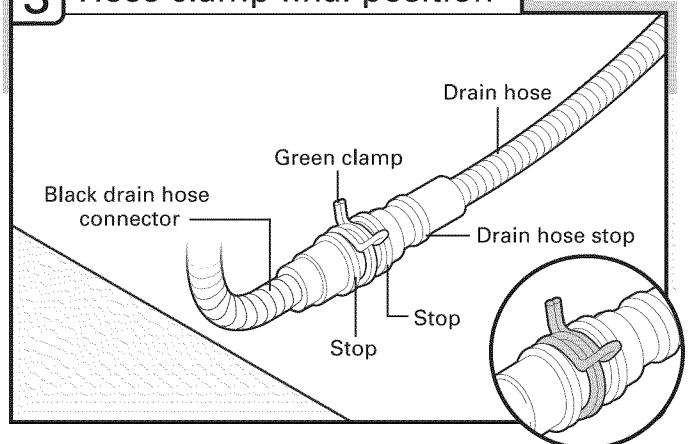
Place towel under drain hose to catch any water in drain hose. Place the small green drain hose clamp onto the small end of the drain hose. Push the new drain hose into the black drain hose connector up to the drain hose stop.

2 Slide clamp onto connector



Using pliers, squeeze open the small green drain hose clamp and slide onto connector between stops.

3 Hose clamp final position



After hose is connected, remove towel.

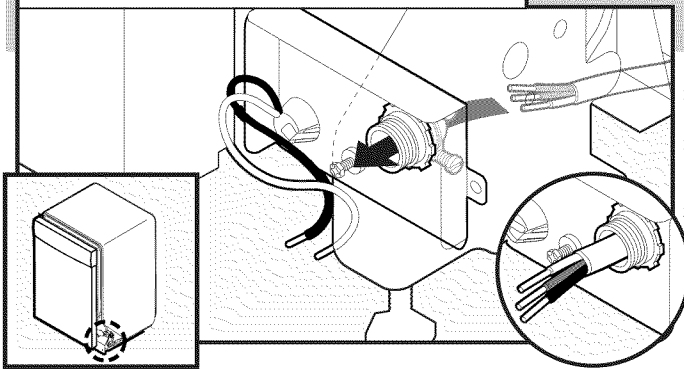
†TEFLON is a registered trademark of E.I. Du Pont De Nemours and Company.

Make Direct Wire Electrical Connection

NOTE: If the power supply cord was connected earlier, proceed to "Secure Dishwasher in Cabinet Opening" section.

Option B, Direct Wire:

1 Direct Wire—Route cable into terminal box



Route cable so that it does not touch dishwasher motor or lower part of dishwasher tub. Pull cable through UL Listed/CSA Approved strain relief in terminal box. Strain relief is not supplied with the dishwasher. Owner must purchase a $\frac{7}{8}$ " screw-in type strain relief.

Select UL Listed/CSA Approved twist-on wire connectors (not included) rated to connect your household wiring to 16-gauge dishwasher wiring.

⚠ WARNING



Electrical Shock Hazard

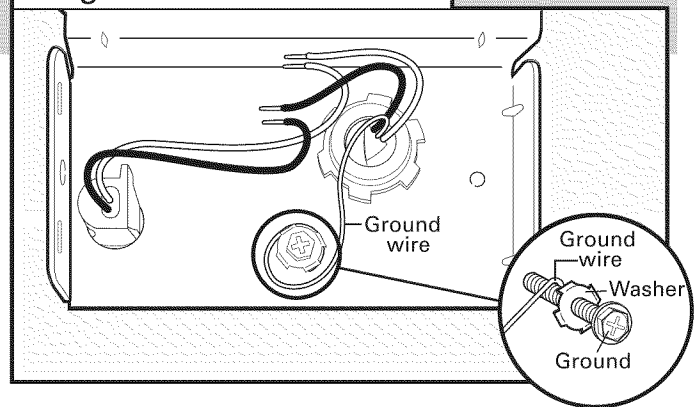
Electrically ground dishwasher.

Connect ground wire to green ground connector in terminal box.

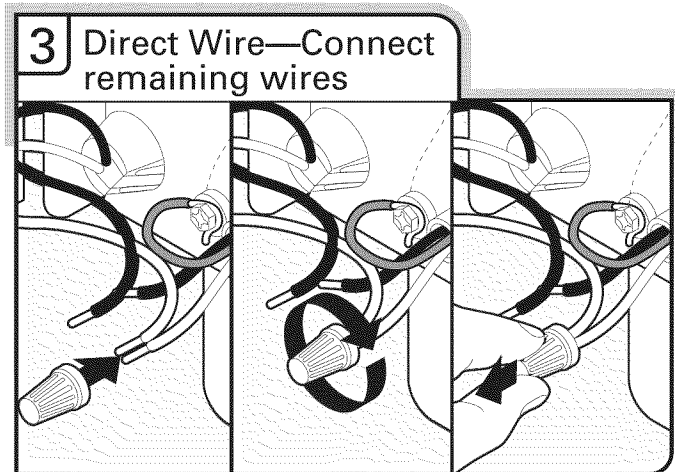
Do not use an extension cord.

Failure to follow these instructions can result in death, fire, or electrical shock.

2 Direct Wire—Connect ground wire



Form bare ground wire into a U-shaped hook. Wrap ground wire hook clockwise around ground connector screw and under the washer. Securely tighten ground connector.



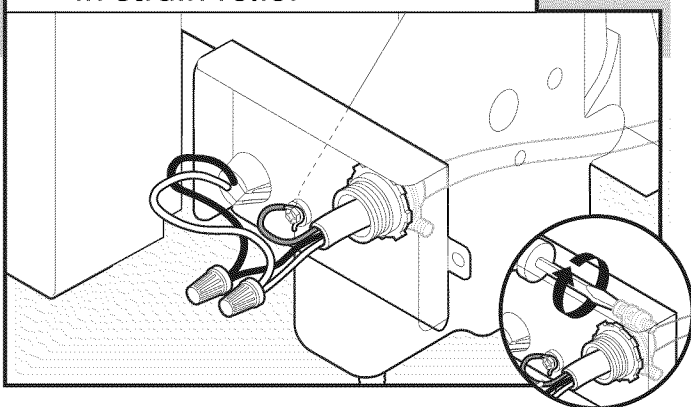
NOTE: Do not pre-twist stranded wire. Twist on UL listed/CSA approved wire connector. Gently tug on wires to be sure both are secured.

Connect wires black to black and white to white, using UL Listed/CSA Approved twist-on wire connectors (not included).

Wiring configuration

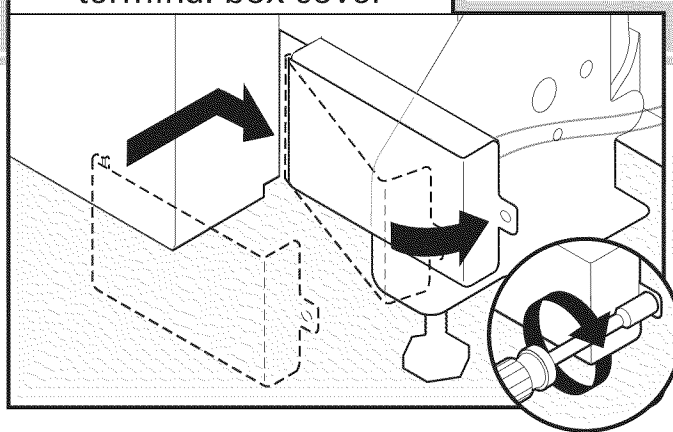
Power supply wire:		Terminal box wire:
white	↔	white
black	↔	black
ground wire	↔	ground connector

4 Direct Wire—Secure cable in strain relief



Tighten strain relief screws to secure cable.

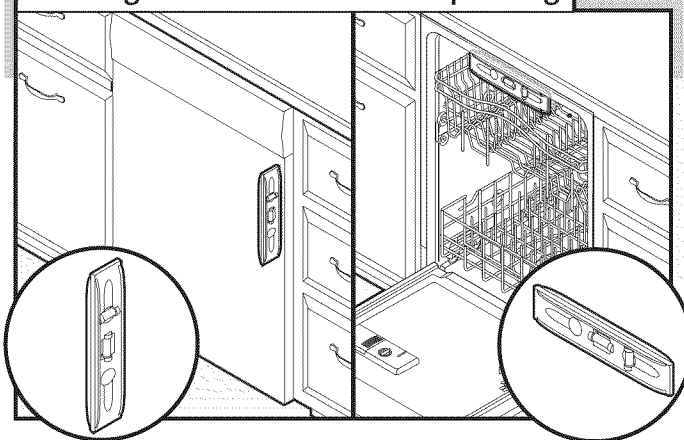
5 Direct Wire—Reinstall terminal box cover



Place wires inside terminal box. Insert tabs on left side of cover. Make sure wires are tucked inside box. Close cover ensuring wires are not pinched. Use 1/4" nut driver and previously removed screw to secure cover.

Secure Dishwasher in Cabinet Opening

1 Double-check dishwasher alignment in cabinet opening

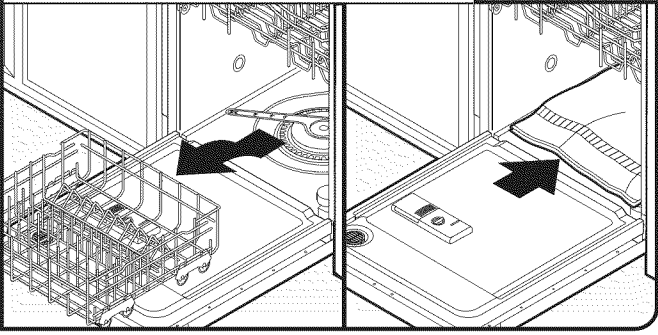


Check that dishwasher is still level front-to-back and side-to-side in cabinet opening.

IMPORTANT: If you have solid countertops such as Corian®, granite, etc., you must use side mounting kit (Part Number 8212560). Follow kit instructions. (Brackets included with kit.)

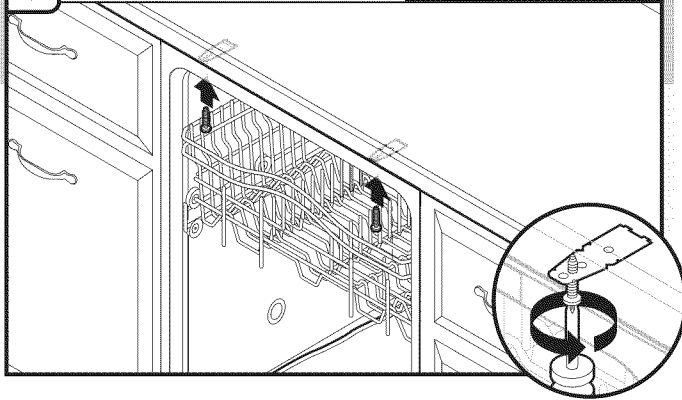
†Corian is a registered trademark of E.I. Du Pont De Nemours and Company.

2 Remove lower dish rack and place towel



Open dishwasher door, remove lower dish rack, and place towel over pump assembly and lower spray arm of dishwasher. This will keep screws from falling into pump area when you are securing dishwasher to countertop.

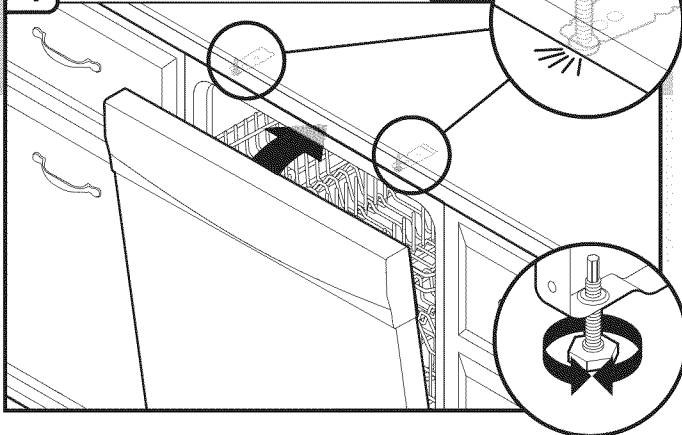
3 Secure dishwasher



NOTE: Do not drop screws into bottom of dishwasher.

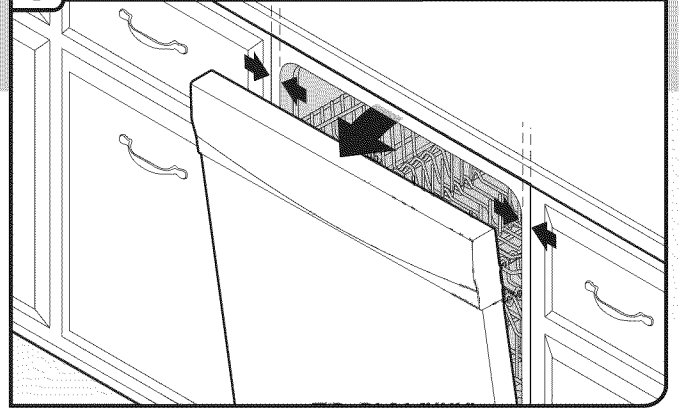
Locate brackets on top of dishwasher and secure dishwasher to countertop with two, #10 x 1/2" Phillips-head screws (included). The dishwasher must be secured to keep it from shifting when door is opened.

4 Check door clearance



Check that top of door does not contact screws, brackets or countertop. If it does, adjust leveling legs.

5 Check inner spacing



Open door and check that space between dishwasher cabinet opening and tub is equal on both sides. If spacing is not equal, loosen bracket screws secured and shift tub. Tighten bracket screws.

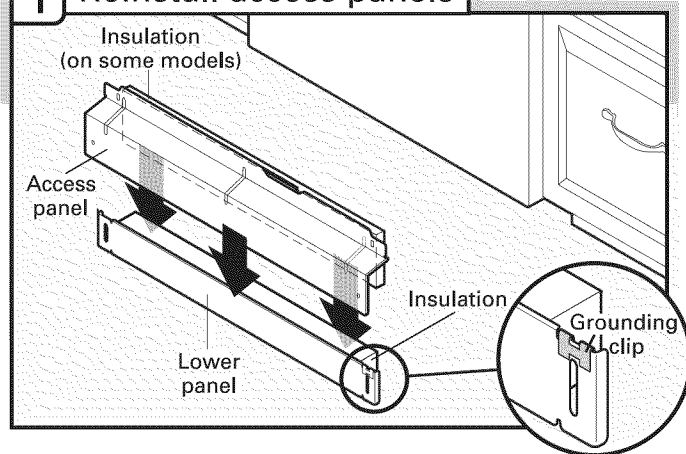
6 Remove towel and replace lower dishwasher rack



Remove towel from dishwasher. Reinstall the lower dish rack.

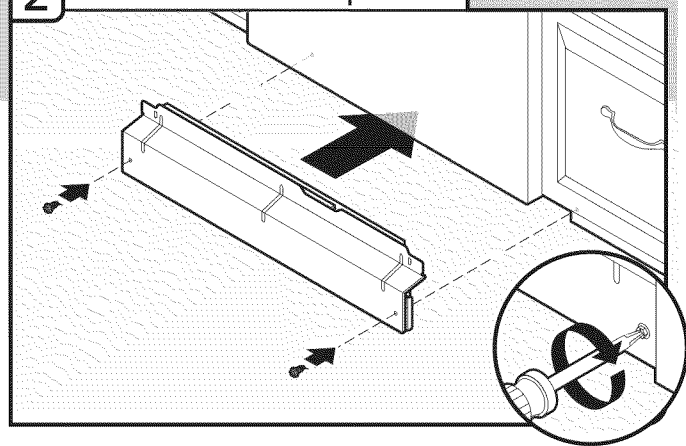
Complete Installation

1 Reinstall access panels



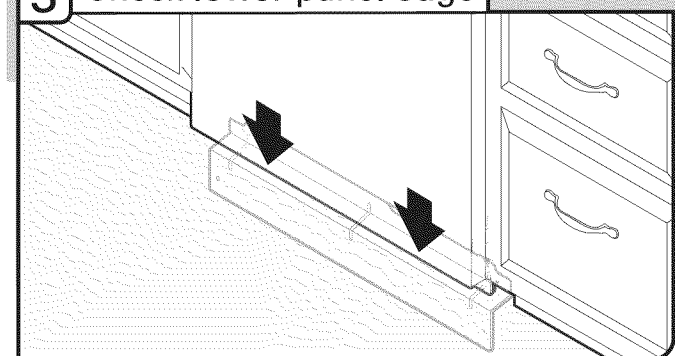
Check that grounding clip is attached to the lower panel. Position the lower panel behind the access panel. On some models there is insulation on the access panel that must fall behind the insulation on the lower panel.

2 Reinstall access panels



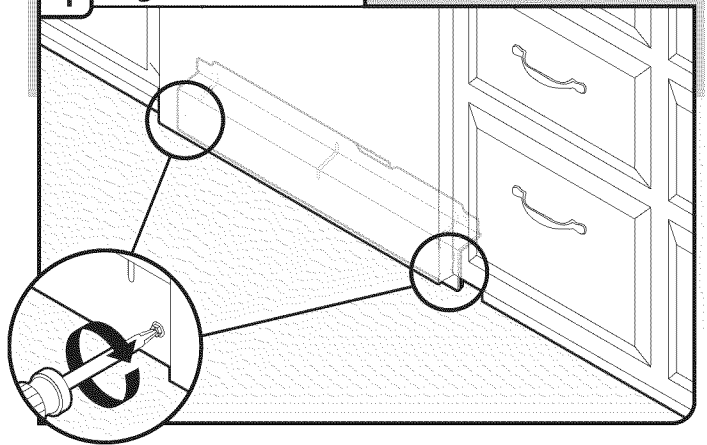
Hold the 2 panels together and place them against dishwasher leg. Using a Phillips or 1/4" screwdriver, reinstall the screws through the holes in the access panel and the slots in the lower panel.

3 Check lower panel edge



Check that the lower edge of the lower panel contacts the floor. Adjust if necessary.

4 Tighten screws



Tighten access panel screws.

⚠ WARNING



Electrical Shock Hazard

Plug into a grounded 3 prong outlet.

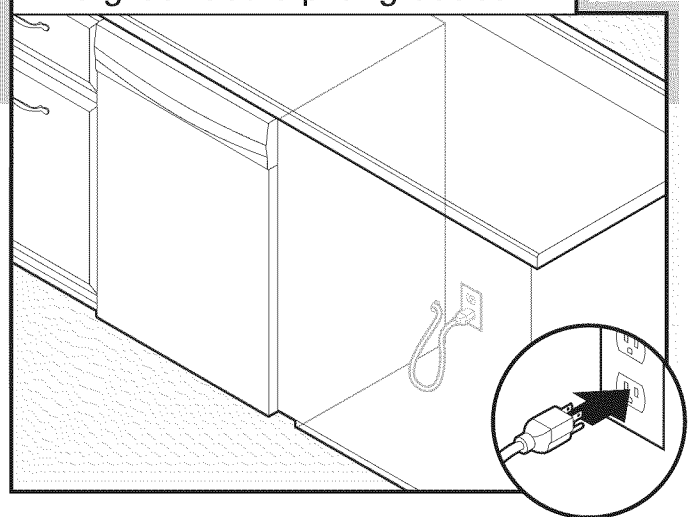
Do not remove ground prong.

Do not use an adapter.

Do not use an extension cord.

Failure to follow these instructions can result in death, fire, or electrical shock.

1 Power supply cord—Plug into a grounded 3 prong outlet



Plug into a grounded 3 prong outlet. Check that power supply cord does not touch dishwasher motor or lower part of dishwasher tub.

Reconnect Power

1 Reconnect power

Reconnect electrical power at the fuse box or circuit breaker box.

Check Operation

- Read the Dishwasher User Instructions that came with your dishwasher.
- Check that all parts have been installed and no steps were skipped. Check that you have all tools used.
- Start dishwasher and allow it to complete the shortest wash cycle. After the first 2 minutes, unlatch door, wait 5 seconds, then open door. Check that there is water in the bottom of the dishwasher tub. Check that dishwasher is working properly.

If the dishwasher is not working properly, disconnect power or unplug dishwasher and see "If Dishwasher Does Not Operate" section.

If Dishwasher Does Not Operate

First try the solutions suggested here to possibly avoid the cost of a service call.

- Has the circuit breaker tripped or the house fuse blown?
- Is the door closed tightly and latched?
- Has the cycle been set correctly to start the dishwasher?
- Is the water turned on?

If none of these possible solutions work, call 1-800-4-MY-HOME®.

Additional Tips

Congratulations on purchasing your water and energy efficient dishwasher! This dishwasher cleans by spraying the dishes with water and pauses to allow the detergent to soak into and release the soils on the dishes. The cycles are longer due to the soak and pauses for exceptional cleaning. Models with SmartWash^{® HE}



contain an optical water sensor. The optical water sensor is used to determine the optimum water and energy consumption for great cleaning performance. The first cycle using the sensor will run longer to calibrate the optical sensor.

Rinse Aid is necessary for good drying results:

This dishwasher is designed to be used with rinse aid for good drying performance and controlling hard water deposit buildup. Energy efficient dishwashers use less water and energy, so they depend on the water sheeting action of rinse aid for good drying performance.

Start/Resume light may flash:

When pressing Start/Resume, you must make sure the door is closed within 3 seconds. If you do not close the door within 3 seconds, the Start/Resume light will flash until you press it again. (You must also do this when adding a dish during the middle of a cycle.)

NOTE: If a braided supply hose is used, replace inlet hose after 5 years to reduce the risk of hose failure. Record hose installation or replacement dates on the hose for future reference.

ÍNDICE

SEGURIDAD DE LA LAVAVAJILLAS.....	27	Prepare la lavavajillas.....	38
REQUISITOS DE INSTALACIÓN.....	28	Haga la conexión por cable de suministro de energía.....	39
Herramientas y piezas.....	28	Cómo determinar la abertura del armario.....	40
Requisitos de ubicación.....	29	Elija del modo de sujeción.....	41
Requisitos de desagüe.....	31	Mueva la lavavajillas cerca de la abertura del armario.....	42
Requisitos del suministro de agua.....	31	Conexión al suministro de agua.....	44
Requisitos eléctricos.....	31	Conexión al desagüe.....	45
INSTRUCCIONES DE INSTALACIÓN.....	32	Conexión eléctrica por cable directo.....	46
Prepare la abertura del armario - Con servicios públicos existentes.....	32	Asegure la lavavajillas en la abertura del armario.....	47
Prepare la abertura del armario - Con nuevos servicios públicos.....	32	Complete la instalación.....	49
Prepare y dirija la línea de agua.....	34	Verifique el funcionamiento.....	50
Instalación de la manguera de desagüe.....	35	Si la lavavajillas no funciona.....	50
		Consejos adicionales.....	50

SEGURIDAD DE LA LAVAVAJILLAS

Su seguridad y la seguridad de los demás es muy importante.

Hemos incluido muchos mensajes importantes de seguridad en este manual y en su electrodoméstico. Lea y obedezca siempre todos los mensajes de seguridad.



Este es el símbolo de advertencia de seguridad.

Este símbolo le llama la atención sobre peligros potenciales que pueden ocasionar la muerte o una lesión a usted y a los demás.

Todos los mensajes de seguridad irán a continuación del símbolo de advertencia de seguridad y de la palabra "PELIGRO" o "ADVERTENCIA". Estas palabras significan:

 **PELIGRO**

Si no sigue las instrucciones de inmediato, usted puede morir o sufrir una lesión grave.

 **ADVERTENCIA**

Si no sigue las instrucciones, usted puede morir o sufrir una lesión grave.

Todos los mensajes de seguridad le dirán el peligro potencial, le dirán cómo reducir las posibilidades de sufrir una lesión y lo que puede suceder si no se siguen las instrucciones.

 **ADVERTENCIA**



Peligro de Vuelco

No use la lavavajillas antes de estar completamente instalada.

No se apoye en la puerta abierta.

No seguir estas instrucciones puede ocasionar heridas serias o cortaduras.

Usted necesita:

- Abrir lentamente la puerta de la lavavajillas mientras alguien sujeta la parte trasera de la lavavajillas. Quite los materiales de envío, la manguera de desagüe y la canasta inferior. Cierre la puerta de la lavavajillas hasta que quede asegurada.
- Cumplir con todos los códigos y reglamentos vigentes.
- Instalar la lavavajillas según se especifica en estas instrucciones.
- La instalación debe ser hecha por un técnico de servicio calificado. La lavavajillas debe instalarse de acuerdo con todos los códigos y reglamentos eléctricos y de plomería nacionales y locales.


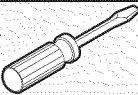
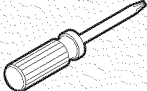
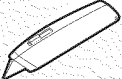



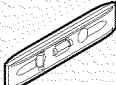

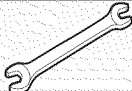
REQUISITOS DE INSTALACIÓN

Herramientas y piezas

Reúna todas las herramientas y piezas recomendadas antes de comenzar la instalación. Lea y siga las instrucciones provistas con cualquiera de las herramientas enlistadas aquí.

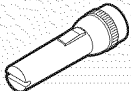

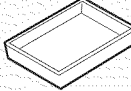
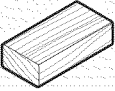
Todas las instalaciones

Herramientas necesarias:



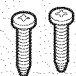
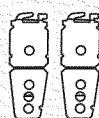
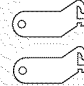
Pinzas 	Destornillador de hoja plana 
Destornillador Phillips 	Cuchillo para uso general 
Llaves de tuercas o de tubo hexagonal de 5/16" y 1/4" 	Conectores de rosca que estén en la lista de UL/aprobados por CSA* 
Cinta de medir o regla 	Nivel pequeño 
Llave de tuercas ajustable de 10" que se abra hasta 1 1/8" (2,9 cm) 	Llave de boca de 5/8" 

*Debe ser del tamaño apropiado para conectar el cableado de la casa al cableado de calibre 16 de la lavavajillas.

Otros artículos útiles que podrá necesitar:

Linterna 	Toalla de baño 
Bandeja llana 	Bloque de madera 

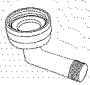
Piezas suministradas:

Abrazaderas para manguera de desagüe (2) (1 grande y 1 pequeña) Plateada Verde 	Manguera de desagüe 	Tornillos de cabeza Phillips N° 10 x 1/2" (2) 	2 - de abajo del mostrador (vista superior) 	2 - ménsulas de montaje para la parte interior del mostrador 
--	---	---	---	--

Cerciórese de que se hayan incluido todas estas piezas en la bolsa con el material impreso.

Piezas necesarias:

Conector a compresión de 3/8" x conector de manguera de 3/4". Póngase en contacto con la tienda local de Sears para comprar el Juego N° 11000.




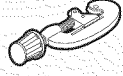
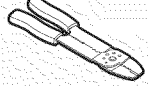
Otras piezas que podrá también necesitar:

Abrazaderas tipo tornillo de 1 1/2" a 2" (3,81 a 5 cm) (3 como máximo) 	Juego de montaje lateral para mostradores sólidos (Pieza número 8212560) 	Cinta para ductos o cinta adhesiva protectora 
--	--	---

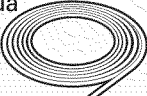
NOTA: Piezas disponibles para la compra en las tiendas de artículos de plomería. Verifique los códigos locales. Verifique el suministro eléctrico existente. Vea la sección "Requisitos eléctricos". Es recomendable que todas las conexiones eléctricas sean hechas por un instalador eléctrico autorizado.

Además, para las instalaciones que se realizan por primera vez

Herramientas necesarias:

Taladro inalámbrico con brocas para sierra perforadora de 1/2", 3/4" y 1 1/2" 	Pequeño cortador de tubos 	Pelacables 
---	---	--

Piezas necesarias:

Tubería de cobre (se sugiere un diámetro externo de 3/8") o línea trenzada flexible de suministro de agua 	Vea la sección "Requisitos eléctricos"	
	Para cable directo: Use un protector de cables que esté en la lista de UL/aprobado por CSA para encajar en un orificio de 7/8" (2,2 cm)	Para cable de suministro eléctrico: Use un cable de suministro de energía que esté en la lista de UL, para ser usado con lavavajillas

Requisitos de ubicación

Se requiere un suministro eléctrico conectado a tierra.

No dirija las líneas de desagüe, de agua o el cableado eléctrico en donde puedan interferir o hacer contacto con el motor o las patas de la lavavajillas.

La ubicación donde se instalará la lavavajillas debe proveer espacios libres entre el motor y el piso. El motor no debe hacer contacto con el piso.

No instale la lavavajillas sobre pisos alfombrados.

Proteja la lavavajillas y las líneas de agua que van a la lavavajillas contra el congelamiento. Los daños ocasionados por congelamiento no están cubiertos bajo la garantía.

Un juego de panel lateral se encuentra disponible con su distribuidor para la instalación de su lavavajillas al final de una línea de armarios.

Hay disponible con su distribuidor una cinta de barrera contra humedad como accesorio (pieza número 4396277) para ser instalada debajo del mostrador.

Revise la ubicación donde se instalará la lavavajillas. El lugar debe tener:

- Un acceso fácil a agua, electricidad y un desagüe.
- Un acceso conveniente para cargar y descargar la vajilla. Las ubicaciones en esquinas requieren de un espacio libre mínimo de 2" (5,1 cm) entre el lado de la puerta de la lavavajillas y la pared o el armario.

- Una abertura cuadrada para el funcionamiento y la apariencia adecuados.
- El frente de la carcasa perpendicular al piso.
- Un piso nivelado. (Si el piso en la abertura frontal no está nivelado con el piso en la parte posterior de la abertura, tal vez se necesiten calzas para nivelar la lavavajillas.)

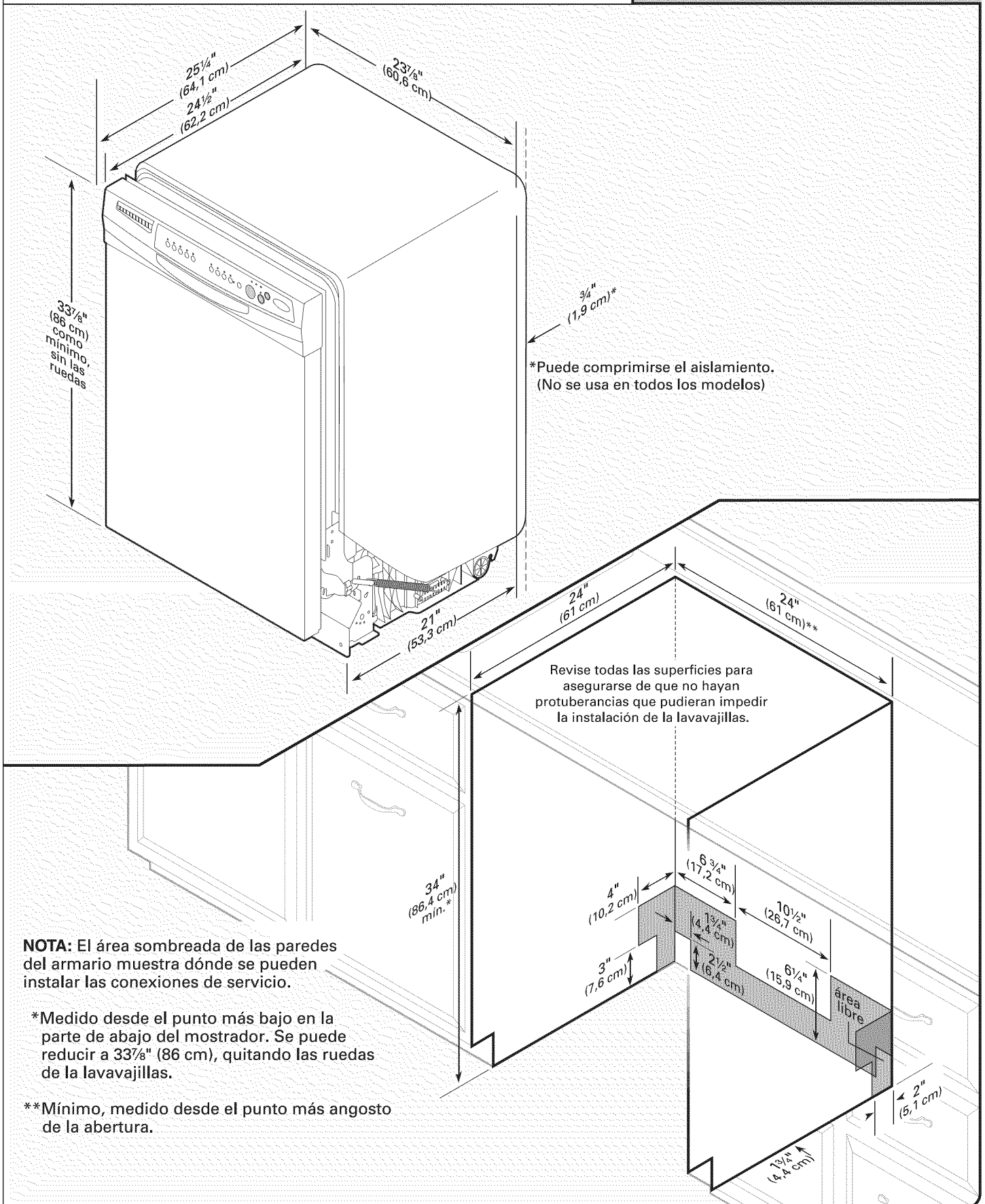
Consejo útil: Cerciórese de medir las dimensiones acertadamente y de que la lavavajillas esté nivelada si el piso de la abertura de la misma está desnivelado (por ejemplo: si el piso se extiende sólo parcialmente dentro de la abertura).

NOTA: Para evitar que se muevan durante el funcionamiento de la lavavajillas, las calzas deben estar sujetas firmemente al piso.

Si no se va a usar la lavavajillas por un tiempo o si se encuentra en un lugar en donde pueda estar expuesta a temperaturas de congelación, hágala acondicionar para el invierno por parte de personal de servicio autorizado.

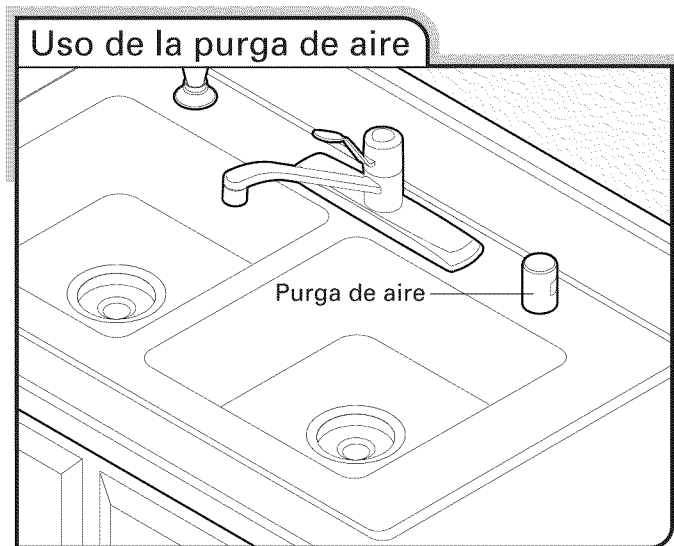
Asegúrese que los tubos, los cables y el desagüe estén dentro del área sombreada que se muestra en la sección "Dimensiones del producto y de la abertura del armario".

Dimensiones del producto y de la abertura del armario



Requisitos de desagüe

- Se provee una manguera nueva de desagüe con su lavavajillas. Si la manguera de desagüe no es lo suficientemente larga, use una manguera de desagüe nueva con una longitud máxima de 12' (3,7 m) (pieza número 3385556) que cumpla con todos los estándares actuales de AHAM/IAMPO (por sus siglas en inglés, los Fabricantes estadounidenses de electrodomésticos para uso doméstico y la Asociación internacional de funcionarios de fontanería y mecánica); que sea resistente al calor y al detergente, y que encaje en el conector de desagüe de 1" (2,5 cm) de la lavavajillas.
- Cerciórese de conectar la manguera de desagüe al tubo de desperdicios en "T" o a la entrada del recipiente de desechos que se encuentra arriba del sifón de desagüe en la plomería de la casa, y a un mínimo de 20" (50,8 cm) por encima del piso. Se recomienda que la manguera de desagüe se enlace y quede asegurada firmemente a la parte inferior del mostrador o que se conecte a una purga de aire.



- Cerciórese de usar una purga de aire si la manguera de desagüe está conectada a la plomería de la casa a una altura menor de 20" (50,8 cm) sobre el contrapiso o el piso.
- Use accesorios para líneas de desagüe con un diámetro interior de 1/2" como mínimo.
- Si es necesario, la purga de aire deberá instalarse según las instrucciones de instalación de la misma. Cuando conecte la purga de aire, será necesaria una manguera de goma (no provista) para conectar el tubo de desperdicios en "T" o la entrada del recipiente de desechos.

Requisitos del suministro de agua

- Una tubería de agua caliente con presión de agua de 20 a 120 lb/pulg² (138 a 862 kPa), que pueda ser verificada por un plomero autorizado.
- Temperatura del agua en la lavavajillas de 120°F (49°C).

- Tubería de cobre con conector a compresión de 3/8" de diámetro externo o línea de suministro de agua roscada flexible (pieza número 4396897RP).

NOTA: No se recomienda usar tubería de plástico de 1/2" como mínimo.

- Un codo de 90° con una conexión de manguera de 3/4" con una arandela de goma.
- No suelde a una distancia menor de 6" (15,2 cm) de la válvula de entrada del agua.

Requisitos eléctricos

Asegúrese de que la conexión eléctrica y el tamaño del hilo sean adecuados y de conformidad con el Código Nacional Eléctrico, ANSI/NFPA 70 - última edición y con todos los códigos y ordenanzas locales.

Usted puede obtener una copia de las normas de los códigos arriba indicadas en:

National Fire Protection Association
1 Batterymarch Park
Quincy, MA 02269

Usted debe tener:

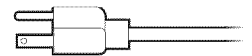
- Un suministro eléctrico de 120 voltios, 60 hertzios, CA solamente, de 15 ó 20 amperios y protegido con fusibles.
- Solamente alambre de cobre.

Recomendamos:

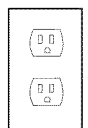
- Un fusible retardador o un cortacircuitos.
- Un circuito separado.

Si va a conectar la lavavajillas con un cable de suministro eléctrico:

- Use el juego del cable de suministro eléctrico que esté en la lista de UL (pieza número 4317824), que esté indicado para usarse con lavavajillas.



- El cable de suministro eléctrico debe conectarse a un contacto de pared de 3 terminales, con conexión a tierra, ubicado en el armario que se encuentra al lado de la abertura de la lavavajillas. El contacto debe cumplir con todos los códigos y ordenanzas locales.



Si va a conectar la lavavajillas con cableado directo:

- Use alambre de cobre blindado flexible o forrado no metálico con el alambre de puesta a tierra, el cual cumpla con los requisitos de cableado para su casa y con los códigos y ordenanzas locales.
- Use un protector de cables que esté en la lista de UL y aprobado por CSA.



INSTRUCCIONES DE INSTALACIÓN

⚠️ ADVERTENCIA



Peligro de Choque Eléctrico

Desconecte el suministro de energía en la caja de fusibles o cortacircuitos antes de instalar la lavavajillas.

No seguir esta instrucción puede ocasionar la muerte o choque eléctrico.

1 Desconecte el suministro de energía

Desconecte el suministro de energía en la caja de fusibles o cortacircuitos antes de instalar la lavavajillas.

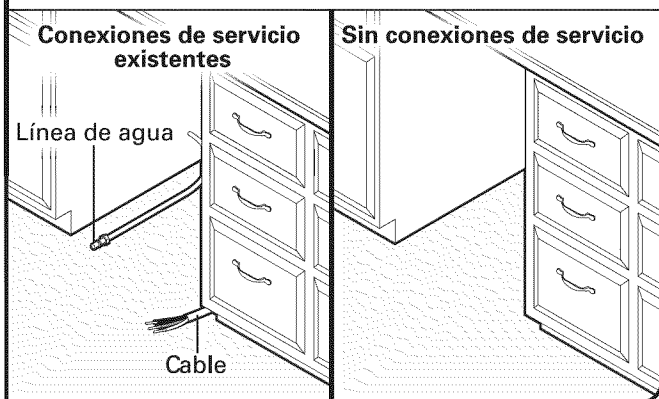
2 Cierre el suministro de agua

Cierre el suministro de agua a la lavavajillas.

3 ¿Tiene ya listas las conexiones de servicio?

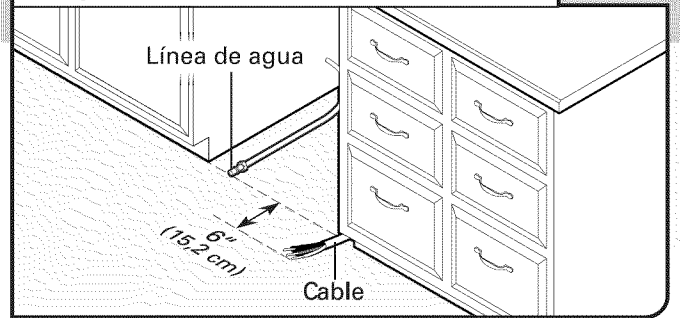
Sí—Siga las instrucciones en la sección “Prepare la abertura del armario - Con servicios públicos existentes”.

No—Siga las instrucciones en la sección “Prepare la abertura del armario - Con nuevos servicios públicos”.



Prepare la abertura del armario - Con servicios públicos existentes

1 Revise la ubicación del agua y la instalación eléctrica



Si la línea de agua y el cable se extienden hacia las ubicaciones mostradas, proceda a la sección “Instalación de la manguera de desagüe”. Si no llegan lo suficientemente lejos, siga las instrucciones en la sección “Prepare la abertura del armario - Con nuevos servicios públicos”.

Prepare la abertura del armario - Con nuevos servicios públicos

Prepare y dirija el suministro eléctrico

¿Qué tipo de conexión eléctrica va a usar?



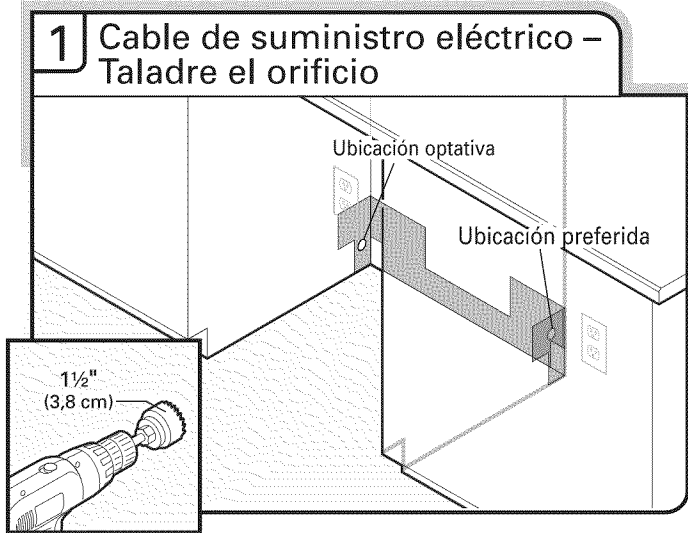
Cable de suministro eléctrico:
Siga las instrucciones de la Opción A



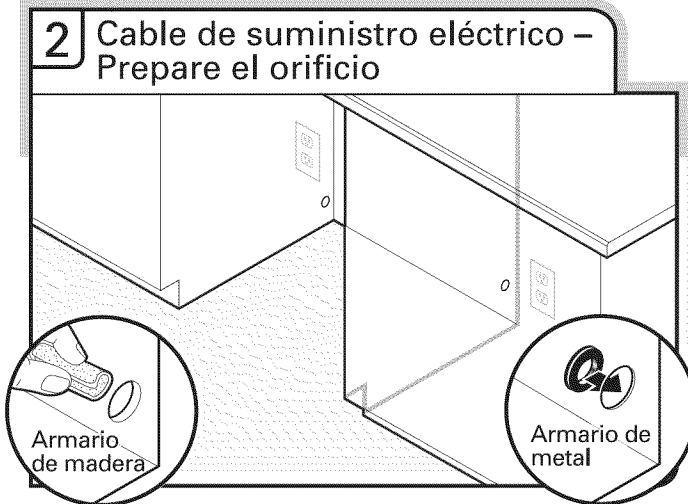
Cable directo:
Siga las instrucciones de la Opción B

Opción A, cable de suministro eléctrico:

NOTA: Se requiere que haya un contacto de 3 terminales conectado a tierra, en un armario que se encuentre al lado de la abertura de la carcasa de la lavavajillas.



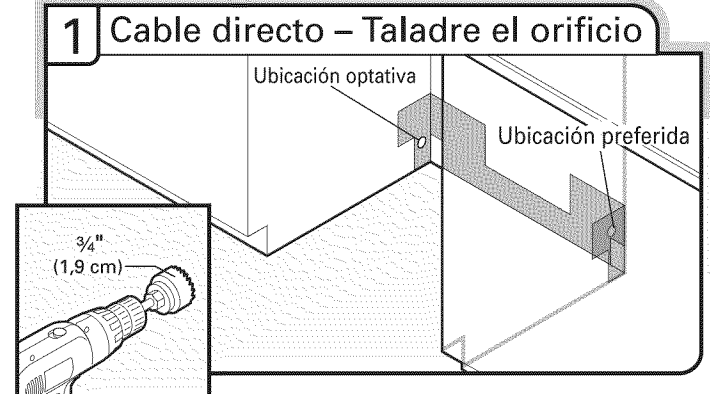
Taladre un orificio de 1 1/2" (3,8 cm) en la parte lateral o posterior del armario. Vea la sección "Dimensiones del producto y de la abertura del armario."



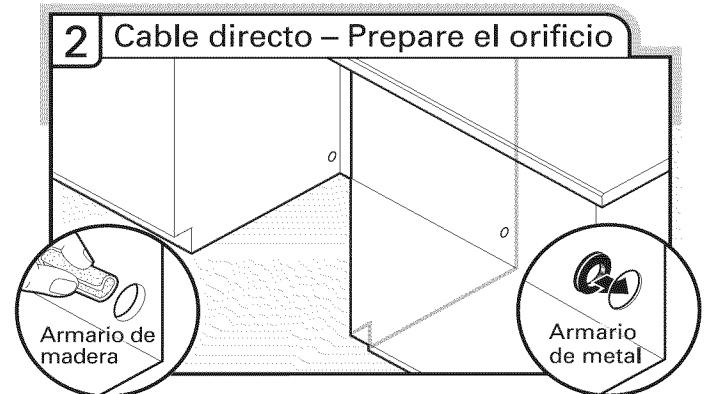
Armario de madera: Lije el orificio hasta que quede liso.
Armario de metal: Cubra el orificio con el aro de refuerzo incluido con el juego del cable de suministro eléctrico.

Opción B, cable directo:

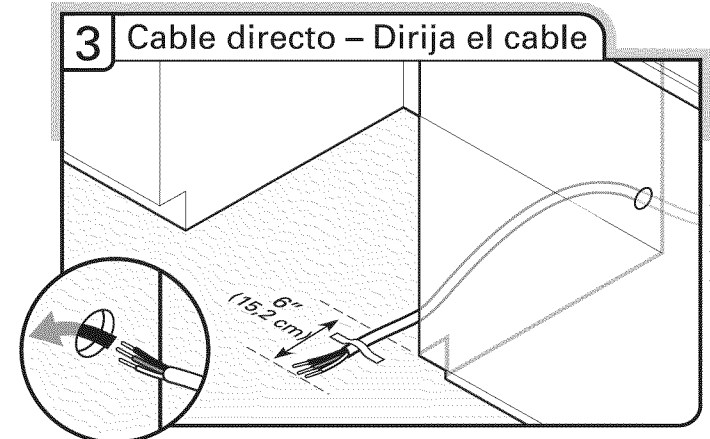
Consejo útil: Será más fácil conectar la lavavajillas si dirige el cable dentro de la abertura del armario desde el lado derecho.



Taladre un orificio de 3/4" (1,9 cm) en el lado derecho o posterior del armario. Vea la sección "Dimensiones del producto y de la abertura del armario."



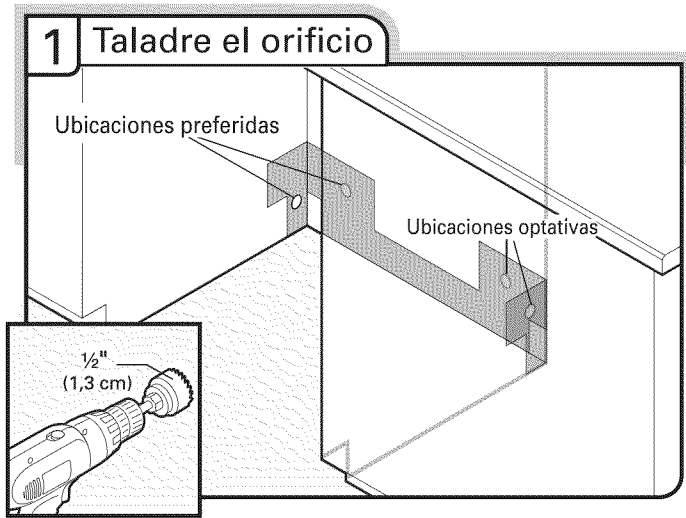
Armario de madera: Lije el orificio hasta que quede liso.
Armario de metal: Cubra el orificio con el aro de refuerzo (pieza número 302797, no provista).



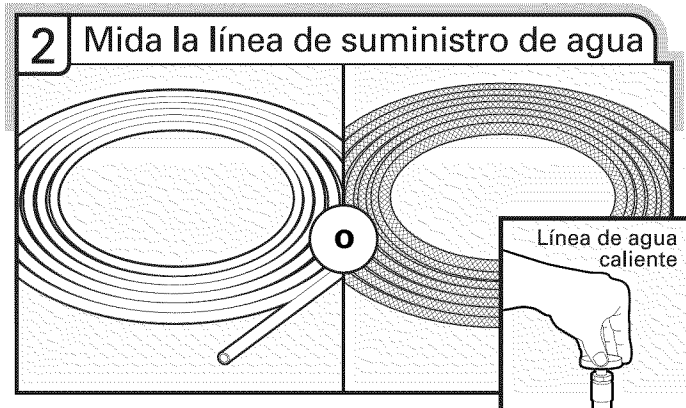
Dirija el cable desde el suministro de energía a través del orificio en el armario (el cable deberá extenderse hacia el lado derecho frontal de la abertura del armario). Pegue el cable al piso con cinta adhesiva en el área mostrada. Esto evitará que el mismo se mueva al colocar la lavavajillas dentro de la abertura del armario.

Prepare y dirija la línea de agua

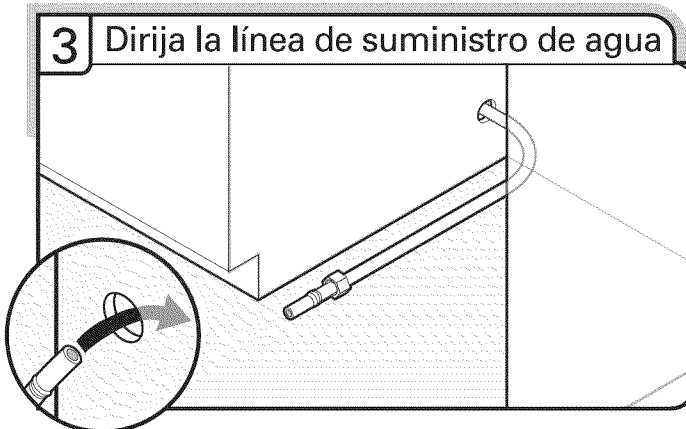
Consejo útil: El dirigir la línea de agua a través del lado izquierdo de la abertura del armario facilitará la conexión del agua.



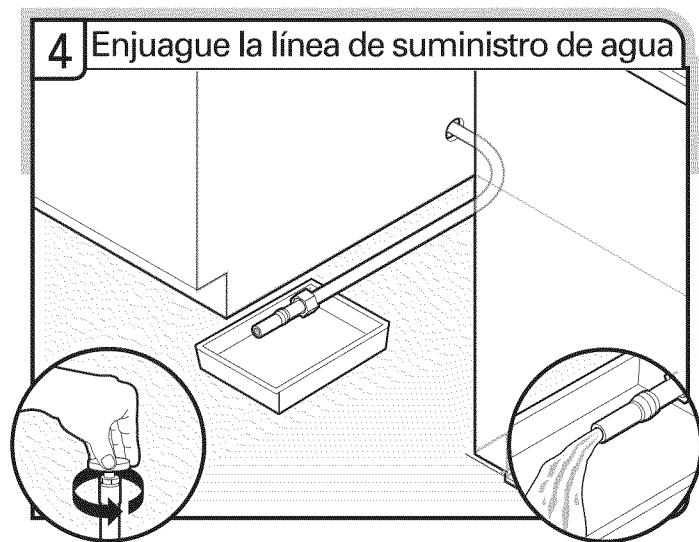
Taladre un orificio de $\frac{1}{2}$ " (1,3 cm) en la parte lateral o posterior del armario.



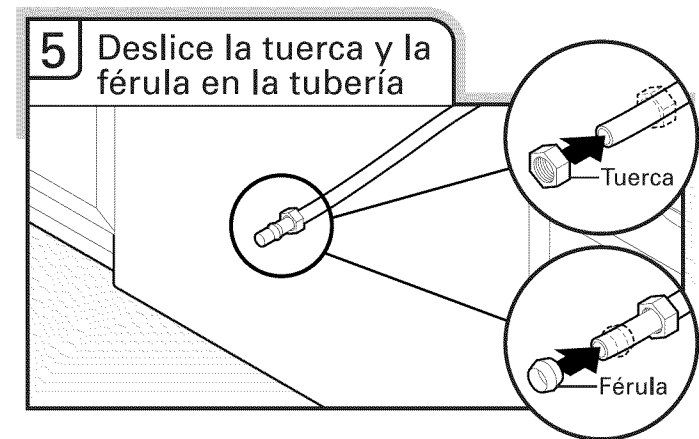
Mida la longitud total de la tubería de cobre o de la línea roscada flexible de suministro de agua. Sujétela a la línea de agua caliente usando una configuración de conexión que cumpla con los códigos y ordenanzas locales. La línea de agua a la lavavajillas deberá tener una válvula de cierre manual.



Dirija lentamente la línea de suministro de agua a través del orificio en el armario. (Si va a usar tubería de cobre, se doblará y se torcerá con facilidad, por lo tanto tenga cuidado.) Deberá estar lo suficientemente dentro de la abertura en el armario para conectarla a la entrada de la lavavajillas, en el lado izquierdo delantero de la misma.



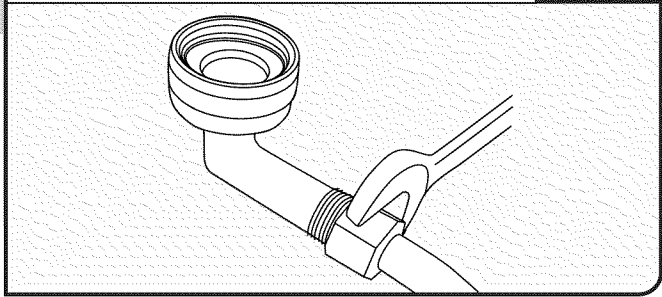
Gire lentamente la válvula de cierre hacia la posición de "ON" (Encendido). Enjuague el agua dentro de un recipiente llano hasta despejar las partículas que pudieran obstruir la válvula de entrada. Gire la válvula de cierre hacia la posición de "OFF" (Apagado).



Tubería de cobre solamente: Deslice la tuerca y luego la férula aproximadamente 1" (2,5 cm) sobre la tubería de cobre.

NOTA: Para evitar vibraciones durante el funcionamiento, dirija la línea de suministro de agua de modo que no toque la base, el marco o el motor de la lavavajillas.

6 Agregue el codo de 90° a la línea de suministro de agua



Una el conector a compresión de $\frac{3}{8}$ " a la línea de suministro de agua antes de instalar la unidad en la abertura del armario. Sujételo de manera que la conexión de $\frac{3}{4}$ " mire hacia arriba.

Tubería de cobre solamente: Coloque la tubería en el codo de 90° hasta donde sea posible (la tubería de cobre se dobla y se retuerce facilidad). Deslice la tuerca y la férula hacia delante y comience a enroscar la tuerca en la rosca del codo.

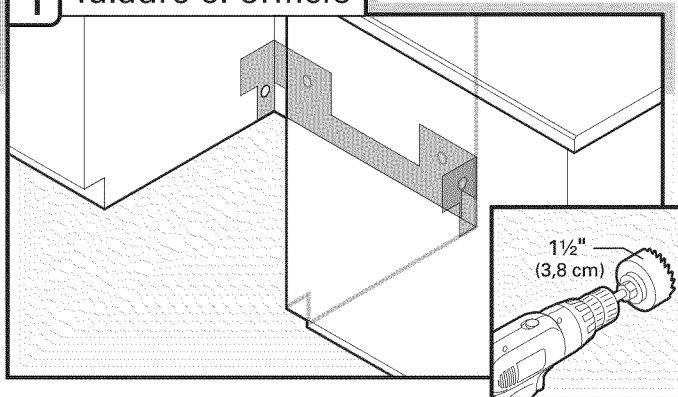
Conexión roscada flexible: Asegure la tuerca al codo con una llave de extremo abierto de $\frac{5}{8}$ " o una llave ajustable.

NOTA: No use cinta Teflon® con los conectores a compresión.

Instalación de la manguera de desagüe

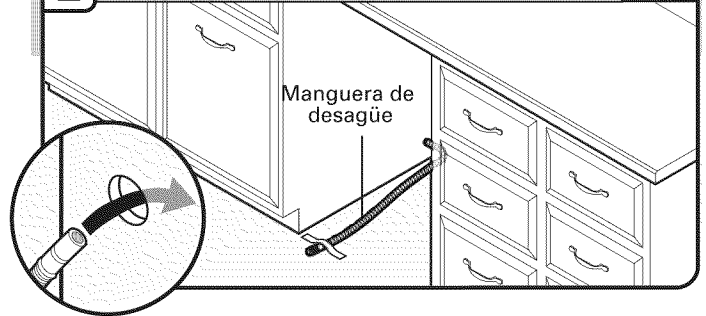
IMPORTANTE: Use siempre una manguera de desagüe nueva. Verifique los códigos locales para determinar si es necesaria una purga de aire.

1 Taladre el orificio



Si es necesario, taladre un orificio de $1\frac{1}{2}$ " (3,8 cm) de diámetro en la pared del armario o en el lado de la abertura que esté más cerca del fregadero.

2 Dirija la manguera de desagüe



Dirija la manguera de desagüe como se muestra a través del orificio en el armario, hacia la parte central frontal de la abertura, en donde se hará la conexión del desagüe. Pegue la manguera de desagüe al piso con cinta adhesiva en el área mostrada. Esto evitará que la misma se mueva al colocar la lavavajillas dentro de la abertura del armario.

3 Conecte la manguera de desagüe

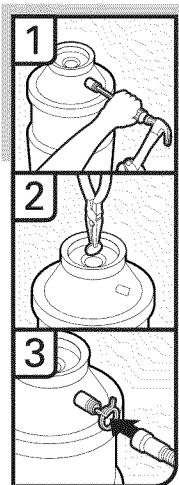
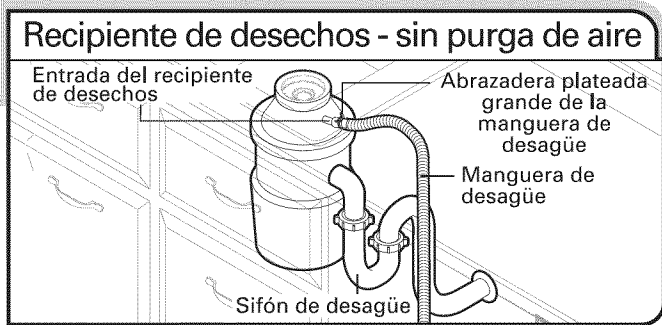
Conecte la manguera de desagüe al tubo de desperdicios en "T" o al recipiente de desechos usando una de las siguientes opciones:

- Opción A, con recipiente de desechos – sin purga de aire
- Opción B, sin recipiente de desechos – sin purga de aire
- Opción C, con recipiente de desechos – con purga de aire
- Opción D, sin recipiente de desechos – con purga de aire

IMPORTANTE: Deberá hacerse la conexión de la manguera de desagüe del recipiente de desechos o del tubo de desperdicios en "T" por lo menos a 20" (50,8 cm) por encima del piso en donde se instalará la lavavajillas.

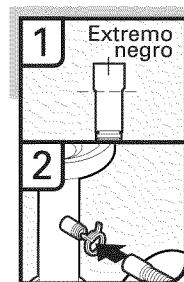
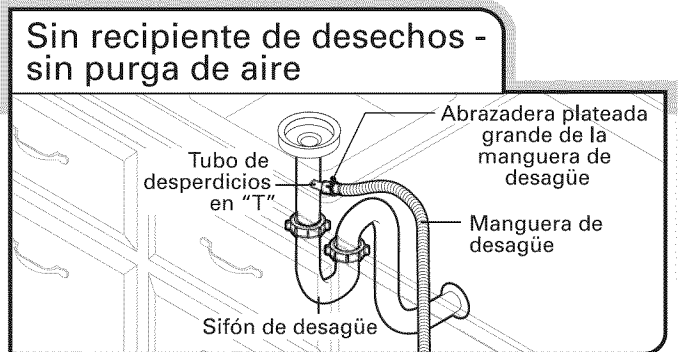
Consejo útil: Para reducir la vibración de la manguera, manténgala lejos del piso.

Opción A, con recipiente de desechos – sin purga de aire



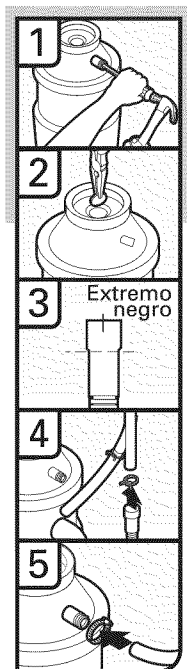
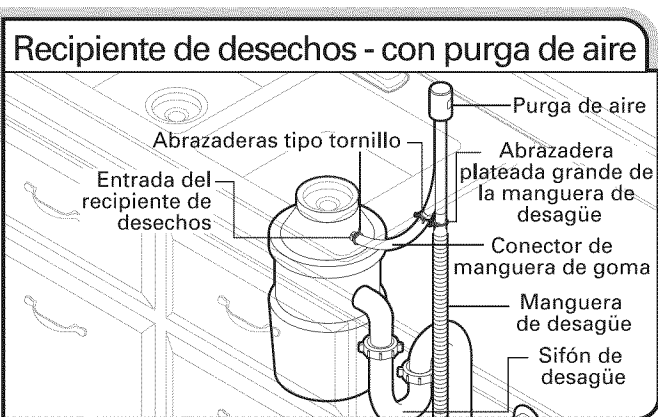
1. Golpee el tapón dentro del recipiente de desechos con un martillo y un destornillador.
2. Use alicates de punta fina para quitar el tapón.
3. Sujete la manguera de desagüe a la entrada del recipiente de desechos con la abrazadera plateada grande de la manguera de desagüe (provista). Use pinzas para abrir la abrazadera y moverla hacia su posición.

Opción B, sin recipiente de desechos – sin purga de aire



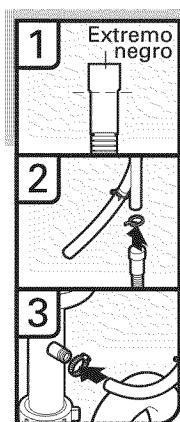
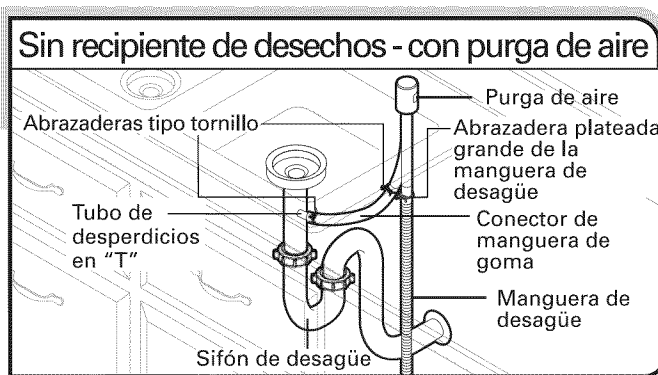
1. Conecte el extremo negro de la manguera de desagüe al tubo de desperdicios en "T" y córtela si fuera necesario.
NOTA: No corte la sección en relieve.
2. Sujete el extremo negro de la manguera de desagüe al tubo de desperdicios en "T" con una abrazadera plateada grande de la manguera de desagüe (provista). Use pinzas para abrir la abrazadera y moverla hacia su posición. Si se cortó la manguera de desagüe, use una abrazadera tipo tornillo de 1½" a 2" (3,8 a 5 cm) (no provista).

Opción C, con recipiente de desechos – con purga de aire



1. Golpee el tapón dentro del recipiente de desechos con un martillo y un destornillador.
2. Use alicates de punta fina para quitar el tapón.
3. Conecte el extremo negro de la manguera de desagüe a la purga de aire y córtela si fuera necesario. **NOTA:** No corte la parte en relieve.
4. Sujete la manguera de desagüe a la purga de aire con la abrazadera plateada grande de la manguera de desagüe (provista). Use pinzas para abrir la abrazadera y moverla en su posición. Si se cortó la manguera de desagüe, use una abrazadera tipo tornillo de 1½" a 2" (3,8 a 5 cm) (no provista).
5. Use una manguera de goma (no provista) con las abrazaderas tipo tornillo (no provistas) para conectarlas desde la purga de aire hasta la entrada del recipiente de desechos.

Opción D, sin recipiente de desechos – con purga de aire de aire



1. Conecte el extremo negro de la manguera de desagüe a la purga de aire y córtela si fuera necesario. **NOTA:** No corte la sección en relieve.
2. Sujete la manguera de desagüe a la purga de aire con la abrazadera plateada grande de la manguera de desagüe (provista). Use pinzas para abrir la abrazadera y moverla hacia su posición. Si se cortó la manguera de desagüe, use una abrazadera tipo tornillo de 1½" a 2" (3,8 a 5 cm) (no provista).
3. Use una manguera de goma (no provista) con las abrazaderas tipo tornillo (no provistas) para conectarlas desde la purga de aire hasta la entrada del tubo de desperdicios en "T".

Prepare la lavavajillas

⚠ ADVERTENCIA



Peligro de Vuelco

No use la lavavajillas antes de estar completamente instalada.

No se apoye en la puerta abierta.

No seguir estas instrucciones puede ocasionar heridas serias o cortaduras.

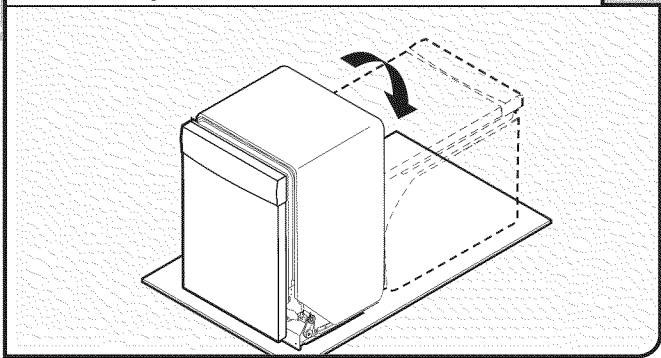
⚠ ADVERTENCIA

Peligro de Peso Excesivo

Use dos o más personas para mover e instalar la lavavajillas.

No seguir esta instrucción puede ocasionar una lesión en la espalda u otro tipo de lesiones.

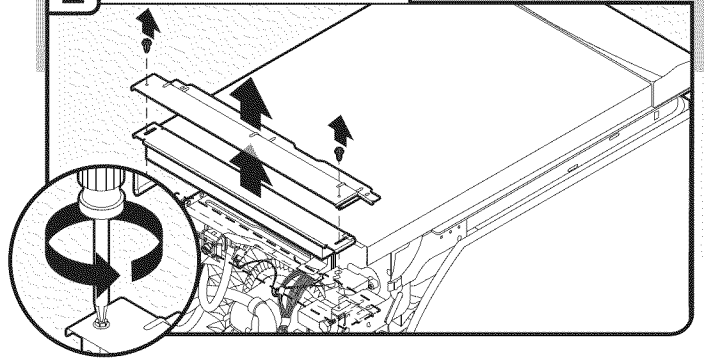
1 Coloque la lavavajillas sobre su lado posterior



Consejo útil: Para evitar daños en el revestimiento del piso, coloque un cartón debajo de la lavavajillas y no lo quite hasta que la misma quede instalada en la abertura del armario. Antes de usar el panel de la puerta como una mesa de trabajo, cúbralo con una toalla, para evitar rayaduras en el mismo.

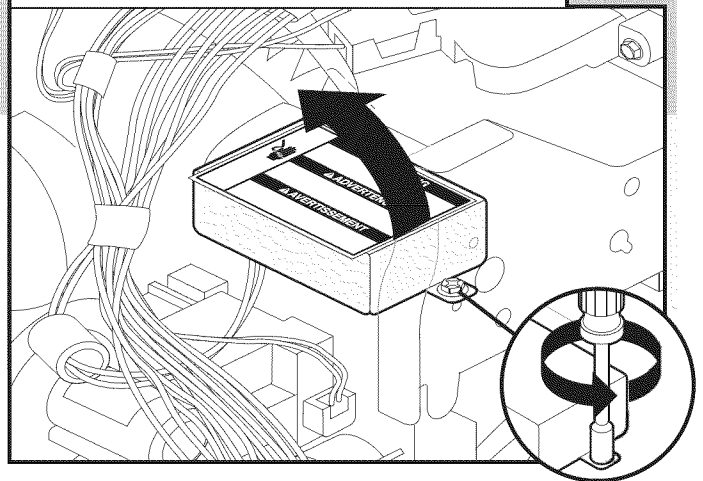
Con la ayuda de dos o más personas, sujete los lados del marco de la puerta de la lavavajillas y coloque la lavavajillas sobre su parte posterior.

2 Quite los paneles



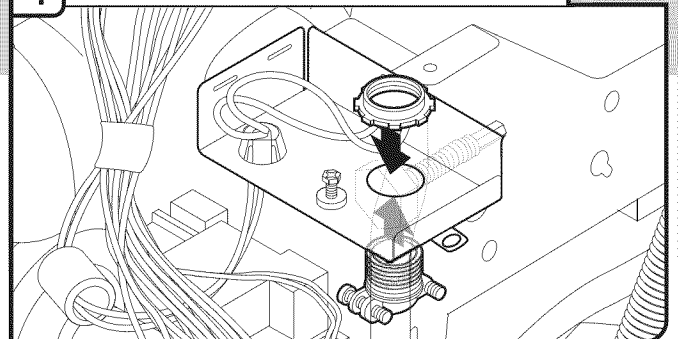
Usando una llave de cubo de cabeza hexagonal de 1/4", un aprietatuercas o un destornillador Phillips, quite los 2 tornillos que sujetan el panel de acceso y el panel inferior a la lavavajillas. No quite la hoja técnica del panel de acceso.

3 Quite la cubierta de la caja de terminales



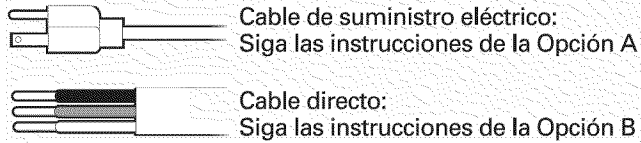
Quite la tapa de la caja de terminales con una llave de cubo de cabeza hexagonal de 1/4", un aprietatuercas o un destornillador Phillips. Guárdela para usarla más tarde.

4 Instale el protector de cables



Instale un protector de cables que esté en la lista de UL/ aprobado por CSA. Cerciérese de que las cabezas de los tornillos estén mirando hacia la izquierda cuando apriete la tuerca del conducto. Se provee un protector de cables con el juego del cable de suministro eléctrico.

¿Qué tipo de conexión eléctrica va a usar?

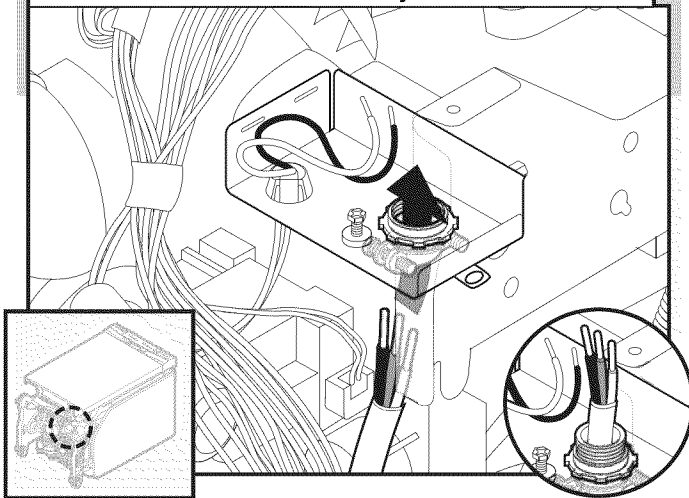


NOTA: Si usa la Opción B, proceda con "Determine la abertura del armario" para continuar con la instalación de la lavavajillas.

Haga la conexión por cable de suministro de energía

Opción A, cable de suministro eléctrico:

1 Cable de suministro – Dirija el cable dentro de la caja de terminales



Dirija el cable de manera que no toque desde el motor de la lavavajillas hasta la parte inferior de la tina de la misma. Jale el cable a través del protector de cables en la caja de terminales.

Seleccione conectores de rosca que estén en la lista de UL/aprobados por CSA clasificados para conectar el cable de suministro eléctrico al cableado de calibre 16 de la lavavajillas.

⚠ ADVERTENCIA



Peligro de Choque Eléctrico

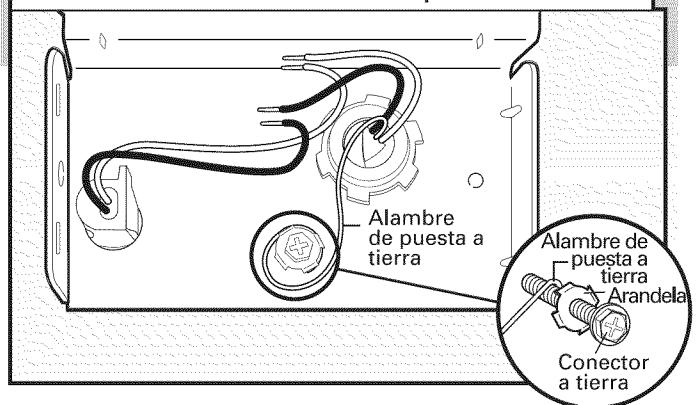
Conecte a tierra la lavavajillas.

Conecte el alambre de conexión a tierra al conector verde de conexión a tierra en la caja de terminales.

No use un cable eléctrico de extensión.

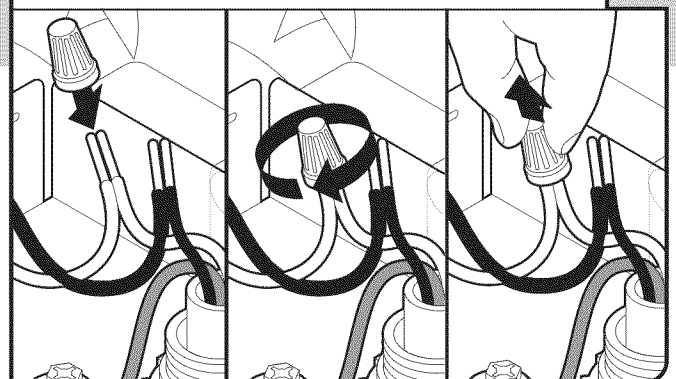
No seguir estas instrucciones puede ocasionar la muerte, incendio o choque eléctrico.

2 Cable de suministro eléctrico - Conecte el alambre de puesta a tierra



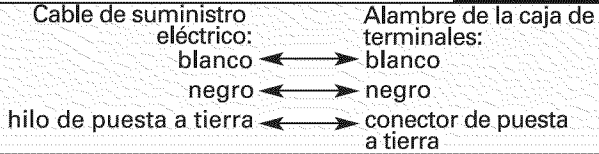
Quite el tornillo verde de puesta a tierra y colóquelo a través de la terminal de anillo del alambre verde a tierra. Vuelva a colocar el tornillo verde y apriételo.

3 Cable de suministro eléctrico – Conecte los alambres restantes



NOTA: No enrosque el alambre trenzado previamente. Enrosque el conector de alambres. Jale levemente los cables para asegurarse de que ambos estén firmes. Conecte los alambres negro a negro y blanco a blanco, usando los conectores de alambre de rosca que estén en la lista de UL/aprobados por CSA.

Configuración del cableado

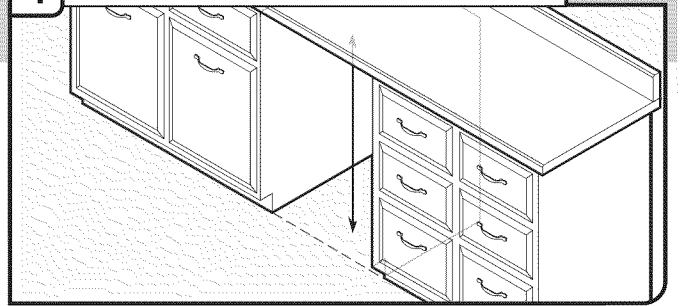


Coloque los alambres dentro de la caja de terminales. Inserte las lengüetas en el lado izquierdo de la cubierta. Cercieorse de que los alambres estén dentro de la caja. Cierre la cubierta asegurándose de no pellizcar los cables. Use un aprietatuerca de 1/4" y el tornillo que se quitó previamente para asegurar la cubierta.

NOTA: No enchufe la lavavajillas en el contacto hasta que se le indique.

Cómo determinar la abertura del armario

1 Mida la abertura del armario



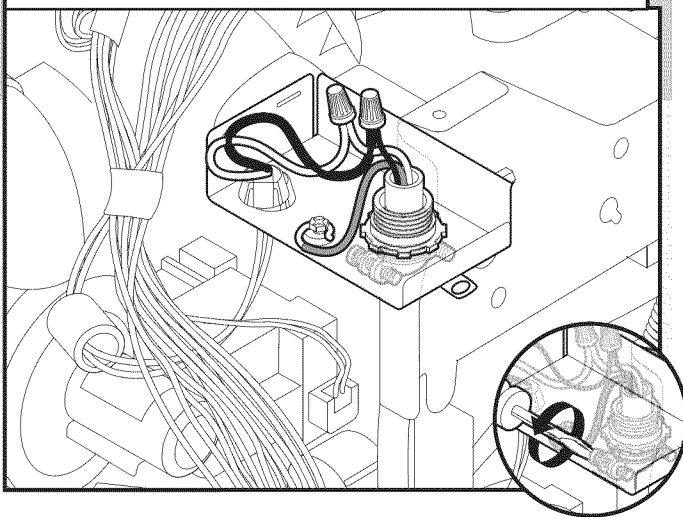
Mida la altura de la abertura del armario desde debajo del mostrador hasta el piso en donde se va a instalar la lavavajillas (deberá medir el punto más bajo por debajo del mostrador y el punto más alto sobre el piso). Consulte "Cuadro de ajuste de la altura de la lavavajillas" para ver la posición de la rueda y el número de vueltas necesarias.

Cuadro de ajuste de la altura de la lavavajillas

Altura de la abertura del armario	Posición de las ruedas	Número de giros de la pata delantera
33 7/8" (86,0 cm)	Sin ruedas	Completamente hacia arriba
34" (86,4 cm)	1	10
34 1/4" (87,0 cm)	2	5
34 1/2" (87,6 cm)	3	0

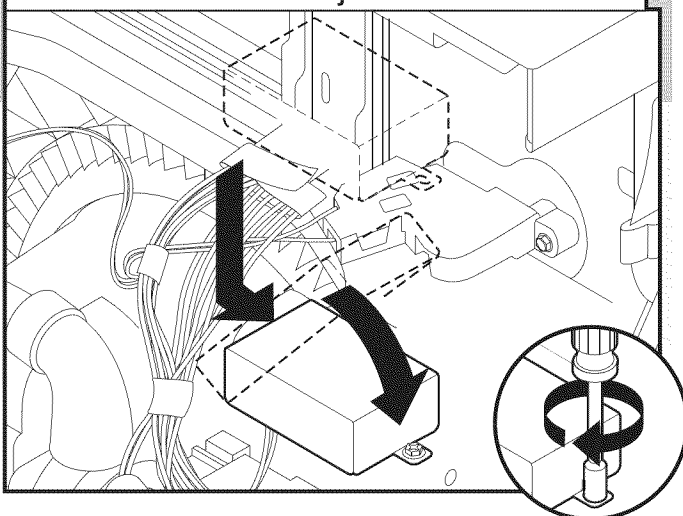
NOTA: Si la altura mínima de la abertura del armario es menor de 34" (86,4 cm), pueden quitarse las ruedas posteriores para proveer espacio libre adicional. Esto permitira que la lavavajillas encaje en una abertura de armario con una altura de 33 7/8" (86 cm), pero será mas difícil mover la lavavajillas. (Las medidas son aproximadas. Las ruedas y las patas han sido prefijadas de fábrica para 34 1/2" [87,6 cm].)

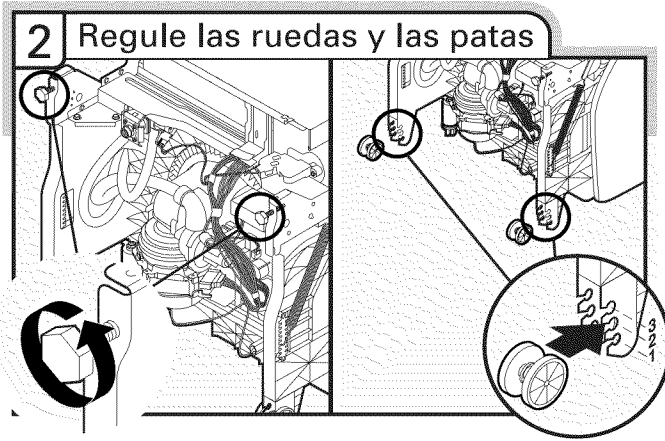
4 Cable de suministro – Asegure el cable sobre el conector del conducto



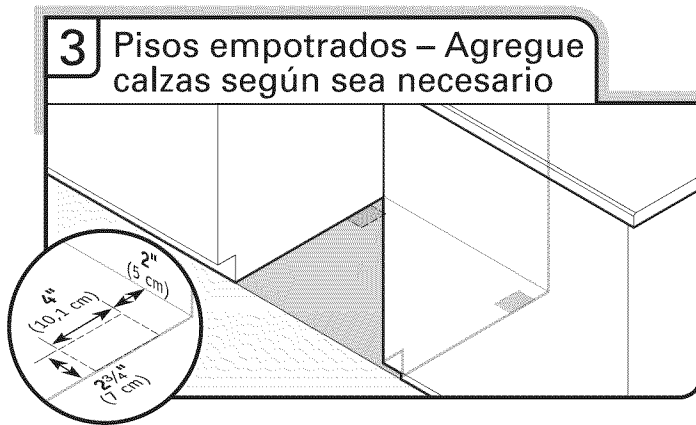
Apriete los tornillos del protector de cables para asegurar el cable.

5 Cable de suministro – Vuelva a instalar la cubierta de la caja de terminales





Gire ambas patas niveladoras hasta la misma altura. Coloque las ruedas en la posición requerida determinada en “Cuadro de ajuste de la altura de la lavavajillas”. Para cambiar la posición de las ruedas, levántelas con un destornillador de hoja plana y encájelas a presión en su nueva posición.



Pisos armados: Si la altura del piso de la cocina es mayor que la abertura del armario, por ejemplo, si el piso de baldosas de la cocina no se extiende dentro de la abertura del armario, agregue las calzas a medida que sean necesarias en el lugar que se muestra para subir la lavavajillas hasta 34" (86,4 cm) por debajo del mostrador.

NOTA: Las calzas deberán sujetarse al piso con firmeza para evitar el movimiento cuando la lavavajillas esté en uso.

Elija del modo de sujeción

⚠ ADVERTENCIA

Peligro de Peso Excesivo

Use dos o más personas para mover e instalar la lavavajillas.

No seguir esta instrucción puede ocasionar una lesión en la espalda u otro tipo de lesiones.

Con la ayuda de 2 o más personas, ponga la lavavajillas en posición vertical.

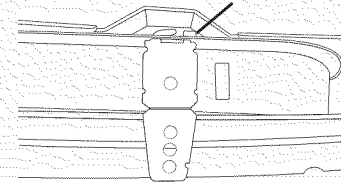
IMPORTANTE: La lavavajillas debe sujetarse al armario. Hay 2 soportes en la bolsa de piezas. Sujete los soportes a la parte superior de la lavavajillas si el mostrador es de madera, laminado u otra superficie similar. Si el mostrador está hecho de mármol, granito u otra superficie dura, instale los soportes utilizando la Opción número 2 o 3.

Opción 1, sujeción al mostrador

1. Quite los soportes del paquete y colóquelos en las ranuras abiertas que están en el lado superior izquierdo y derecho del collar de la lavavajillas, como se muestra.

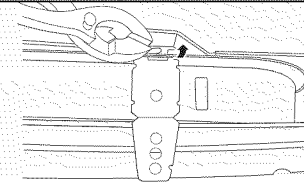
1 Instale el soporte de montaje

Las lengüetas deben mirar hacia la derecha



2. Inserte el soporte dentro de la ranura, en el collar. Doble hacia abajo la lengüeta con unas pinzas para asegurar el soporte en su lugar. Repita este paso para el otro lado.

2 Doble la lengüeta – montaje superior



NOTA: No sujete la lavavajillas. Esto se hará más tarde.

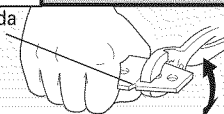
Opción 2, sujeción lateral - Para lavavajillas con tina de acero inoxidable

Para mármol, granito u otros mostradores de superficie dura

1. Saque los soportes del paquete de piezas.
2. Rompa el extremo del soporte a lo largo de la línea trazada.

Línea trazada

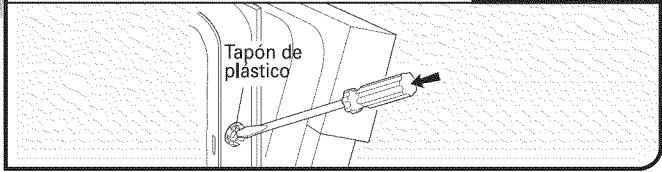
Línea trazada



3. Abra la puerta de la lavavajillas con otra persona sosteniendo la parte posterior de la lavajillas para evitar que se voltee, y coloque una toalla sobre el ensamblaje de la bomba y el brazo rociador de la lavavajillas. Esto evitará que los tornillos se caigan en el área de la bomba cuando asegure la lavavajillas al armario.

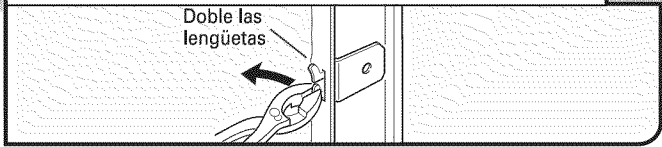
4. Empuje los tapones de plástico fuera del lado de la tina.
NOTA: Guarde los tapones para cubrir los orificios después de que se instale la lavavajillas.

Instale el tapón de plástico



5. Empuje el soporte en la ranura al costado de la lavavajillas y doble la lengüeta hacia dentro y hacia el costado de la lavavajillas, para mantener el soporte en su lugar.
NOTA: No sujete la lavavajillas. Esto se hará más tarde.

Doble la lengüeta – montaje lateral

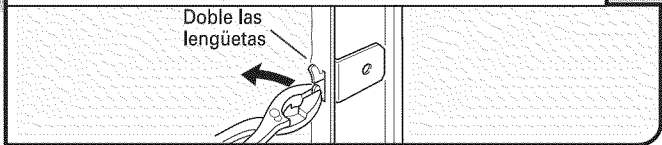


Opción 3, sujeción lateral - Para lavavajillas con tina de plástico

Para mármol, granito u otros mostradores de superficie dura

1. Saque los soportes del paquete de piezas.
2. Empuje el soporte dentro de la ranura al costado de la lavavajillas y doble la lengüeta hacia dentro y hacia el costado de la lavavajillas, para mantener el soporte en su lugar.
NOTA: No sujete la lavavajillas. Esto se hará más tarde.

Doble la lengüeta – montaje lateral



Mueva la lavavajillas cerca de la abertura del armario

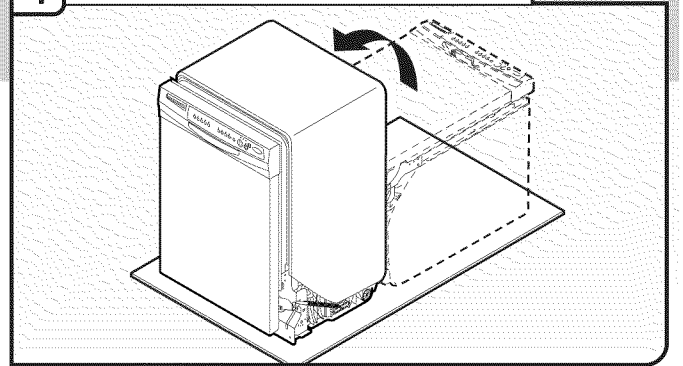
⚠ ADVERTENCIA

Peligro de Peso Excesivo

Use dos o más personas para mover e instalar la lavavajillas.

No seguir esta instrucción puede ocasionar una lesión en la espalda u otro tipo de lesiones.

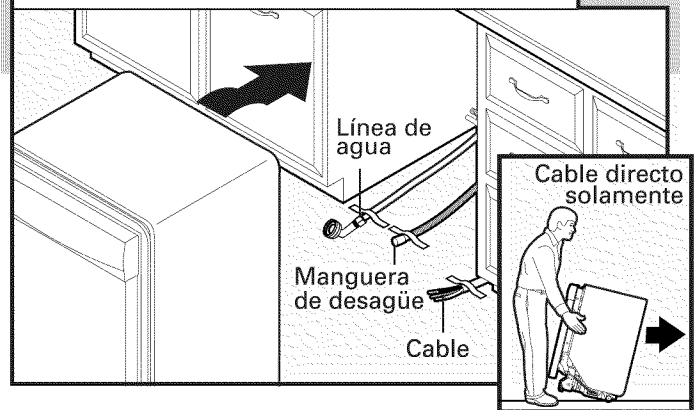
1 Ponga la lavavajillas de pie



Con la ayuda de dos o más personas, ponga la lavavajillas en posición vertical.

NOTA: No instale la placa de protección hasta que se le indique.

2 Mueva la lavavajillas cerca de la abertura del armario.

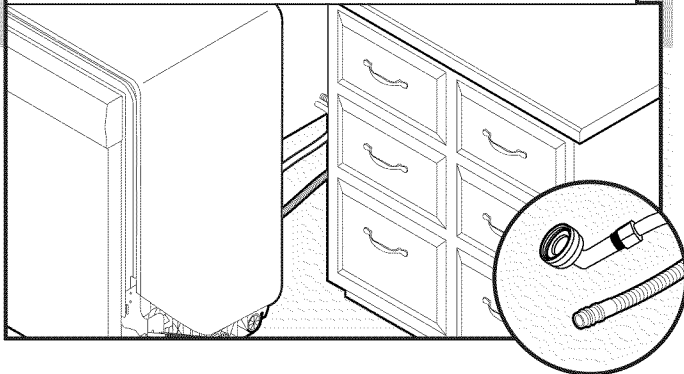


IMPORTANTE: Vuelva a revisar la ubicación correcta de los servicios públicos. Tome la lavavajillas por los lados, en los bordes del panel de la puerta. Inclíne la lavavajillas hacia atrás sobre las ruedas y muévela cerca de la abertura del armario.

NOTA: No haga presión en el frente del panel ni en la consola, ya que pueden abollarse.

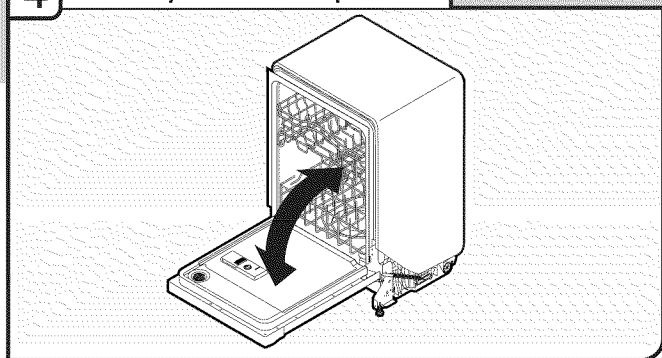
Consejo útil: Pegue los cables de servicio temporalmente al piso en los lugares mostrados, para evitar que se muevan cuando se mueva la lavavajillas dentro de la abertura del armario.

3 Revise la posición de la línea de agua y de la manguera de desagüe



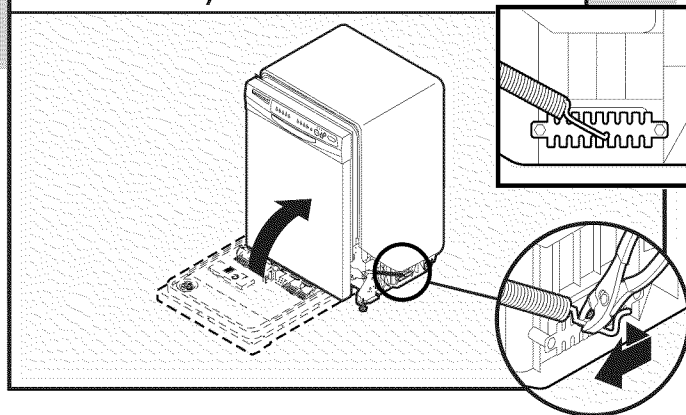
Verifique que la línea de agua esté en el lado izquierdo de la abertura y que la manguera de desagüe esté cerca del centro de la abertura del armario.

4 Abra y cierre la puerta



Con otra persona sosteniendo la lavavajillas para evitar que se vuelque, abra y cierre la puerta un par de veces. Si la puerta se cierra o se cae bajo su propio peso, la tensión de la puerta necesitará ser ajustada.

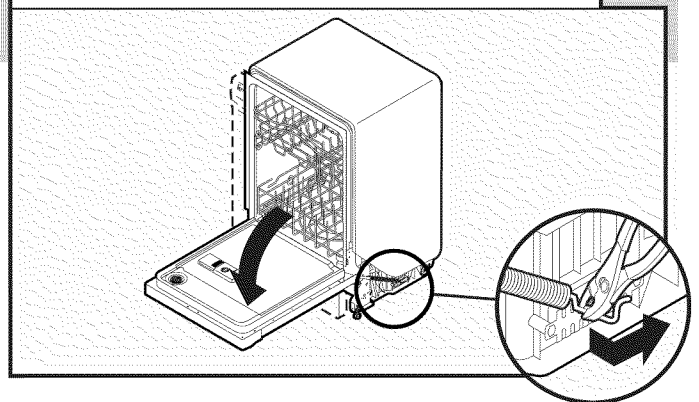
5 Se cierra demasiado rápido – Disminuya la tensión del resorte



Si la puerta se cierra demasiado rápido, disminuya la tensión del resorte moviendo el extremo del mismo hacia la parte frontal de la lavavajillas.

NOTA: Los resortes deberán estar en las mismas ranuras del lado izquierdo y derecho.

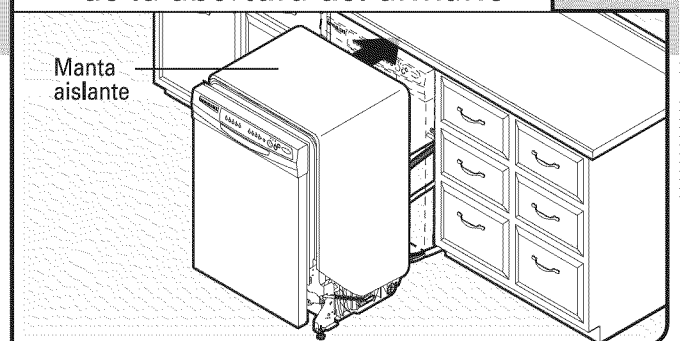
6 La puerta se abre de golpe – Aumente la tensión del resorte



Si la puerta se cae al abrirla, aumente la tensión del resorte moviendo el extremo del mismo hacia la parte posterior de la lavavajillas.

NOTA: Los resortes deberán estar en las mismas ranuras que están del lado izquierdo y derecho.

7 Mueva la lavavajillas dentro de la abertura del armario



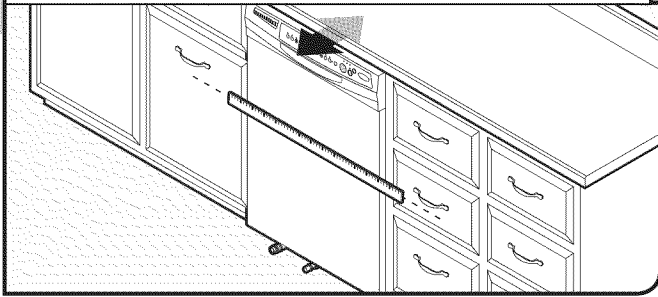
IMPORTANTE: Si se quitaron las ruedas, cubra el piso cuando mueva la lavavajillas para evitar dañarlo. Introduzca lentamente la lavavajillas por completo en la abertura del armario. No retuerza ni apriete la línea de agua, la manguera de desagüe, el cable de suministro eléctrico ni el cable directo entre la lavavajillas y el armario. Quite el cartón que está debajo de la lavavajillas.

NOTAS:

- Es correcto que la lavavajillas encaje ajustada en la abertura del armario. No quite la manta aislante, ya que la misma reduce el nivel de sonido.

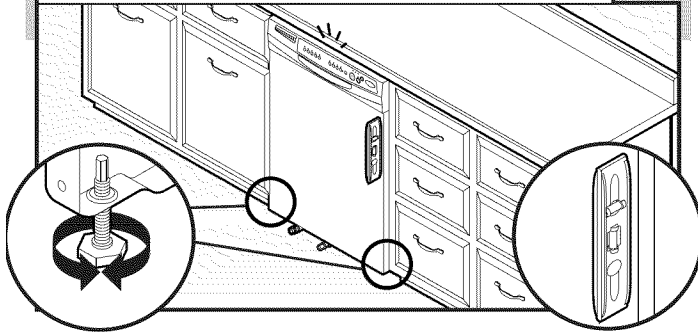
- Si usa el cable de suministro, cerciórese de dirigir el extremo a través del orificio en el corte antes de deslizar la lavavajillas dentro de la abertura del armario.

8 Alinee la parte frontal de la lavavajillas con el frente de las puertas del armario



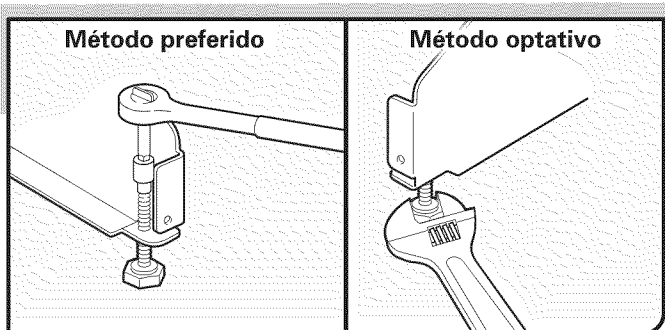
Alinee la parte frontal del panel de la puerta de la lavavajillas con la parte frontal de las puertas del armario. Tal vez necesite ajustar el alineamiento para que quede pareja con los armarios.

9 Verifique la nivelación y regule las patas si es necesario

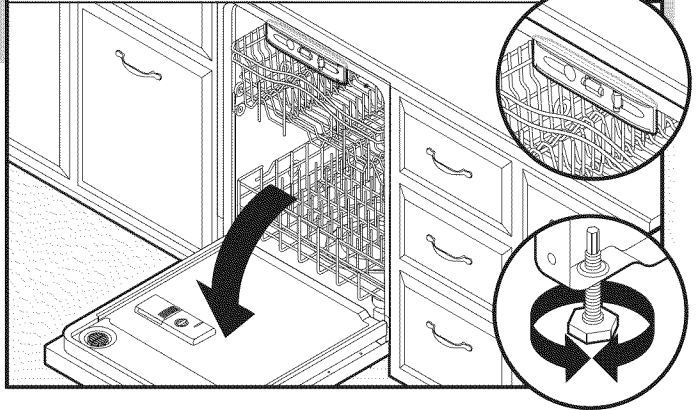


Revise que las patas niveladoras estén firmes contra el piso. Cierre y trabe la puerta y coloque el nivel contra el panel frontal. Verifique que la lavavajillas esté centrada de frente hacia atrás en la abertura. De ser necesario, ajuste la pata niveladora hasta que la lavavajillas esté a plomo. Repita el procedimiento para el otro lado de la lavavajillas.

Consejo útil: Empuje hacia arriba el frente de la lavavajillas para levantarla del piso y regular las patas frontales. En algunas instalaciones, puede resultar más fácil ajustar la pata delantera con una llave de cabeza hexagonal de $\frac{3}{16}$ " o con una llave de tuercas ajustable.



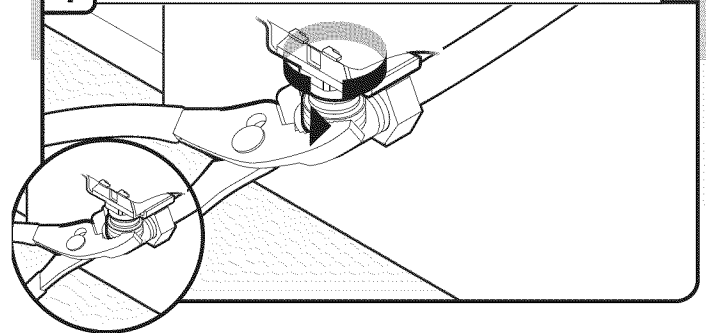
10 Verifique la nivelación de lado a lado y regule las patas si es necesario



Coloque el nivel contra la abertura superior frontal de la tina. Revise que la lavavajillas esté nivelada de lado a lado. Si la lavavajillas no está nivelada, regule las patas delanteras hacia arriba o hacia abajo hasta que la lavavajillas esté nivelada.

Conexión al suministro de agua

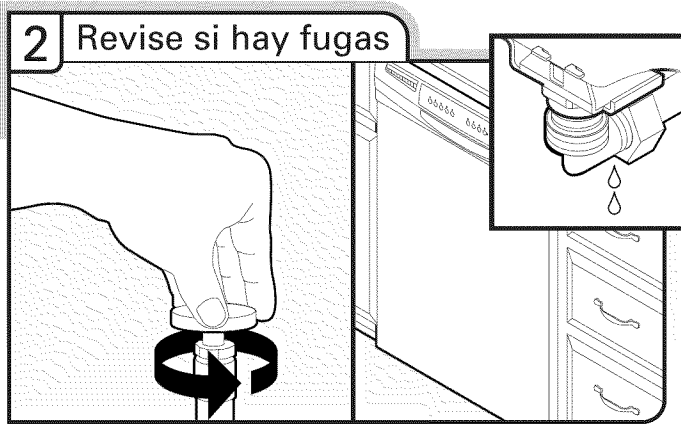
1 Apriete el codo de 90° en la válvula



Cerciórese de que la arandela de goma esté encajada debidamente en el conector. Deslice el conector de $\frac{3}{4}$ " hacia arriba hasta la válvula y apriételo a mano para evitar dañar la rosca accidentalmente. Apriete a mano hasta que el acoplamiento quede ajustado.

Usando pinzas, verifique que el acoplamiento esté apretado. Tal vez sea necesario dar $\frac{1}{4}$ a $\frac{1}{2}$ giro adicional para sellar la junta de goma.

NOTA: No apriete demasiado. Se puede dañar el acoplamiento.



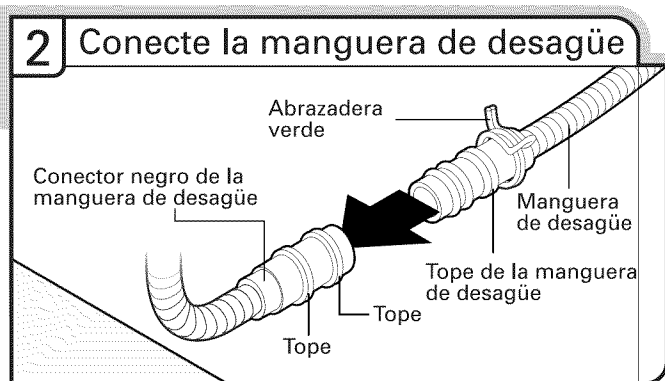
Coloque una toalla de papel debajo del codo de 90°. Abra la llave de suministro de agua y revise si hay fugas. Si hay fugas, repita el paso anterior.

NOTA: No use cinta Teflon[®] con los conectores a compresión.

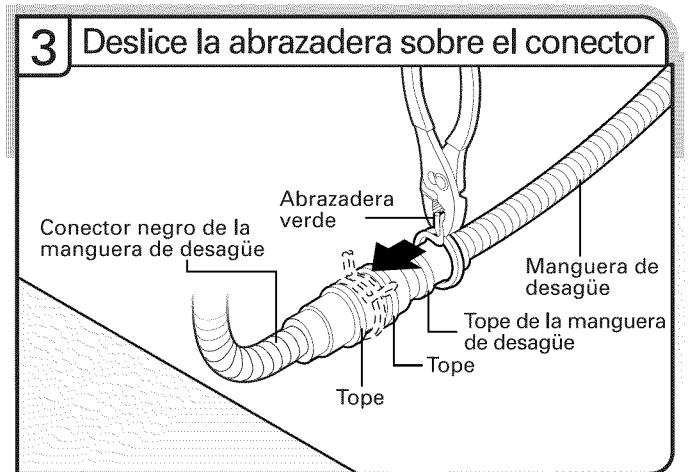
Conexión al desagüe

Para ayudar a reducir al mínimo la vibración, dirija la manguera de desagüe de manera que evite el contacto con el motor, los resortes de la puerta, la línea de agua, el armario, el piso o el borde del orificio en dónde pasa a través del armario. No quite el lazo de desagüe del lado de la lavavajillas.

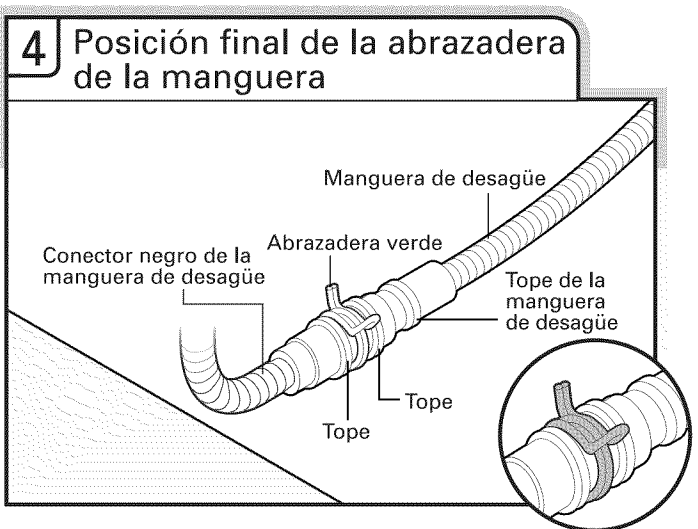
Coloque una bandeja bajo el extremo de la manguera de desagüe. El agua que pueda estar en la manguera de desagüe se acumulará en la bandeja.



Coloque una toalla debajo de la manguera de desagüe para atrapar el agua que pueda haber quedado en la misma. Coloque la abrazadera pequeña verde para manguera de desagüe en el extremo pequeño de la manguera de desagüe. Empuje la manguera de desagüe nueva dentro del conector negro de manguera de desagüe, hasta el tope de la manguera de desagüe.



Usando pinzas, apriete la abrazadera pequeña de la manguera de desagüe verde para abrirla y deslícela hacia el conector, entre los toques.



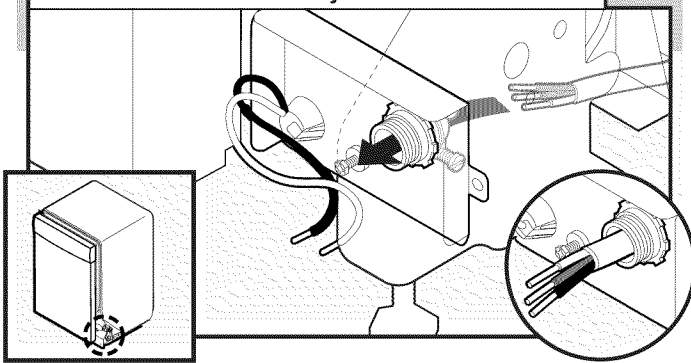
Saque la toalla después de haber conectado la manguera.

Conexión eléctrica por cable directo

NOTA: Si se conectó anteriormente el cable de suministro eléctrico, proceda a la sección “Asegure la lavavajillas en la abertura del armario”.

Opción B, cable directo:

1 Cable directo – Dirija el cable dentro de la caja de terminales



Dirija el cable de manera que no toque el motor de la lavavajillas ni la parte inferior de la tina de la misma. Jale el cable a través del protector de cables que está en la lista de UL o aprobado por CSA dentro de la caja de terminales.

Seleccione conectores de rosca que estén en la lista de UL o aprobados por CSA (no incluidos) clasificados para conectar el cableado de la casa al cableado de calibre 16 de la lavavajillas.

⚠ ADVERTENCIA



Peligro de Choque Eléctrico

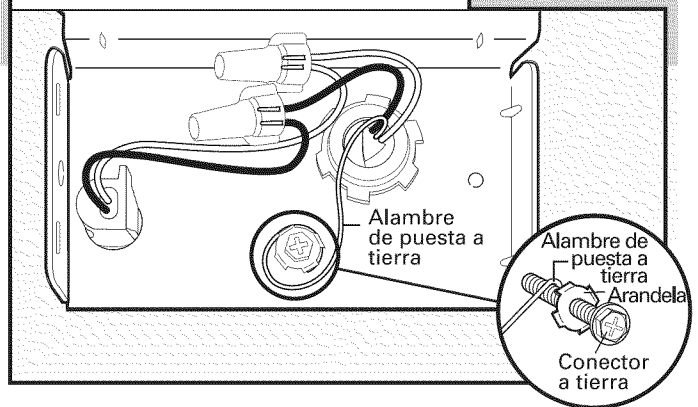
Conecte a tierra la lavavajillas.

Conecte el alambre de conexión a tierra al conector verde de conexión a tierra en la caja de terminales.

No use un cable eléctrico de extensión.

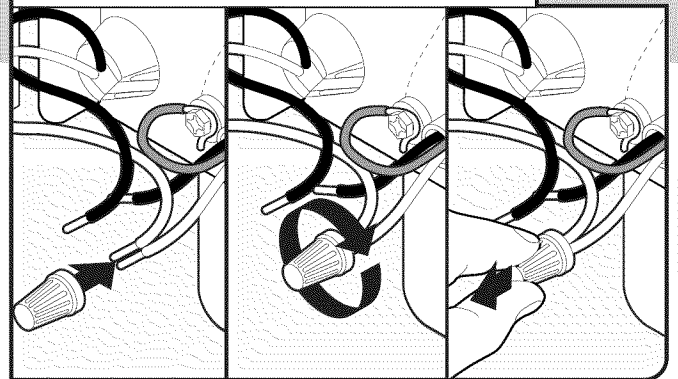
No seguir estas instrucciones puede ocasionar la muerte, incendio o choque eléctrico.

2 Cable directo – Conecte el alambre a tierra



Haga un gancho en forma de “U” con el cable desnudo. Enrolle el cable desnudo en forma de gancho hacia la derecha, alrededor del tornillo del conector de puesta a tierra y debajo de la arandela. Apriete el conector de puesta a tierra con firmeza.

3 Cable directo – Conecte los alambres restantes



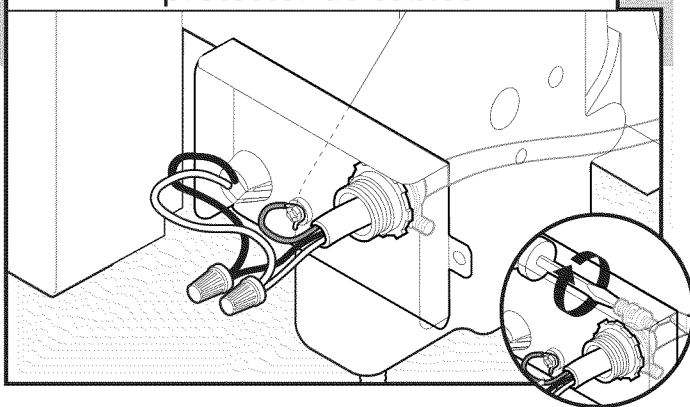
NOTA: No enrosque el alambre trenzado previamente. Enrosque el conector de alambre que está en la lista de UL/ aprobado por CSA. Tire levemente de los cables para asegurarse de que ambos estén firmes.

Conecte los alambres negro a negro y blanco a blanco, usando los conectores de alambre de rosca que estén en la lista de UL/ aprobados por CSA (no incluidos).

Configuración del cableado

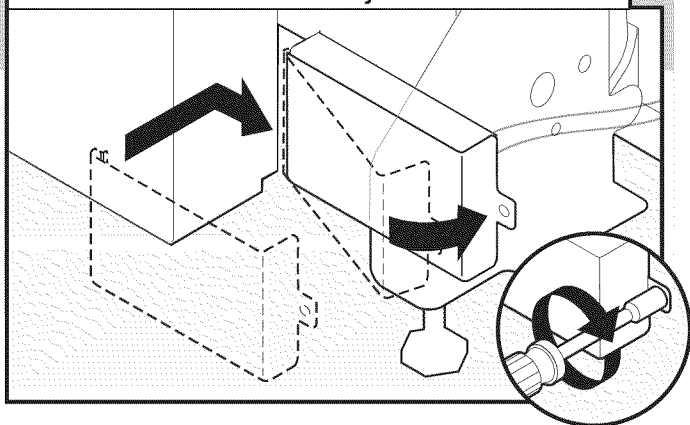
Cable de suministro eléctrico:		Alambre de la caja de terminales:
blanco	↔	blanco
negro	↔	negro
alambre de puesta a tierra	↔	conector de puesta a tierra

4 Cable directo – Asegure el cable en el protector de cables



Apriete los tornillos del protector de cables para asegurar el cable.

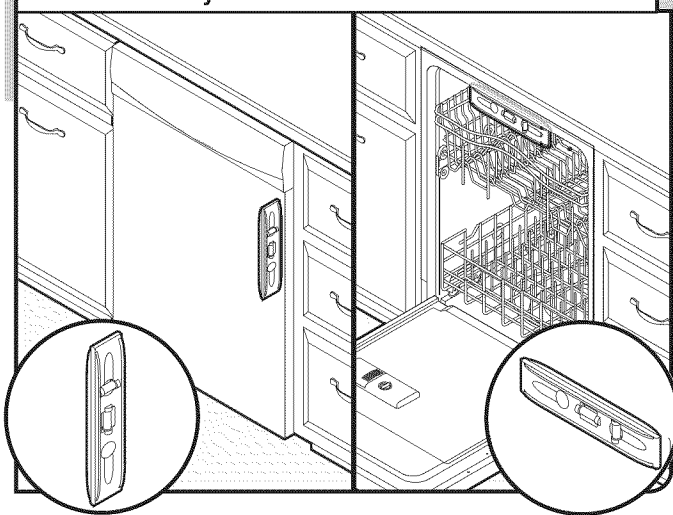
5 Cable directo – Vuelva a instalar la cubierta de la caja de terminales



Coloque los alambres dentro de la caja de terminales. Inserte las lenguetas en el lado izquierdo de la cubierta. Cercieorse de que los alambres esten dentro de la caja. Cierre la cubierta asegurandose de no pellizcar los cables. Use una llave de tuercas de 1/4" y el tornillo que se quito previamente para asegurar la cubierta.

Asegure la lavavajillas en la abertura del armario

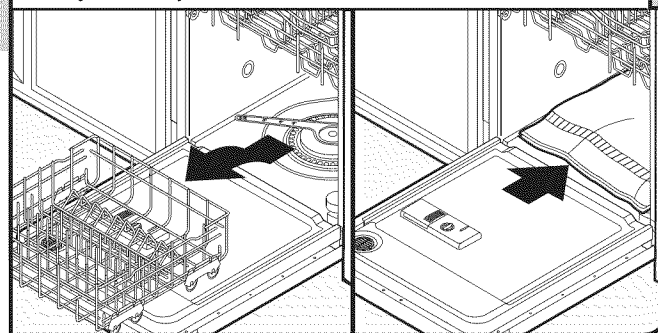
1 Revise nuevamente el alineamiento de la lavavajillas en la abertura del armario



Verifique que la lavavajillas todavía esté nivelada de frente hacia atrás y de lado a lado en la abertura del armario.

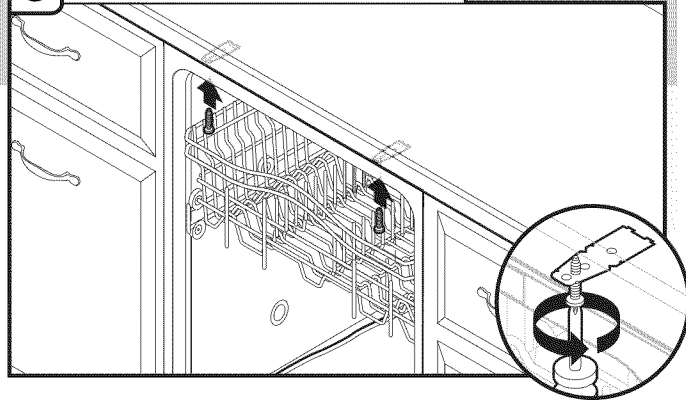
IMPORTANTE: Si tiene mostradores macizos tales como Corian[®], granito, etc., deberá usar un juego de montaje lateral (pieza número 8212560). Siga las instrucciones del juego. (Se incluyen soportes con el juego.)

2 Saque la canasta inferior para platos y coloque una toalla



Abra la puerta de la lavavajillas, saque la canasta inferior para platos y coloque una toalla sobre el ensamble de la bomba y el brazo rociador inferior de la lavavajillas. Esto evitará que los tornillos se caigan en el área de la bomba cuando asegure la lavavajillas al mostrador.

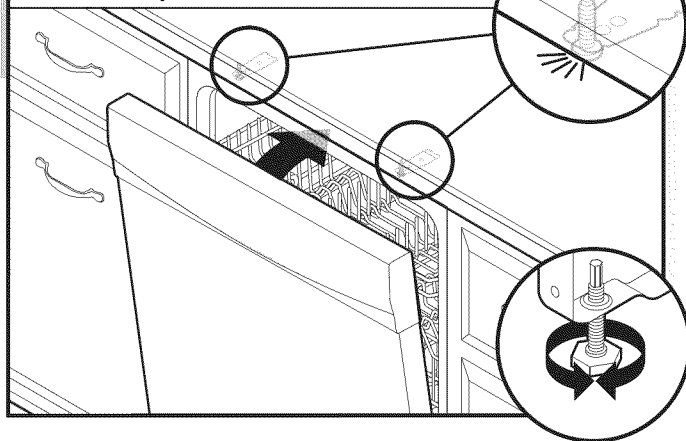
3 Asegure la lavavajillas



NOTA: No deje que los tornillos se caigan en el fondo de la lavavajillas.

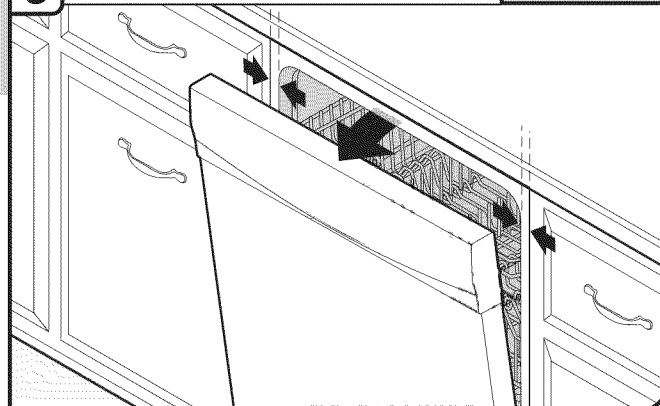
Ubique los soportes en la parte superior de la lavavajillas y asegure la lavavajillas al mostrador con dos tornillos Phillips N° 10 x 1/2" (incluidos). La lavavajillas deberá estar asegurada para evitar que se mueva cuando se abra la puerta.

4 Revise el espacio alrededor de la puerta



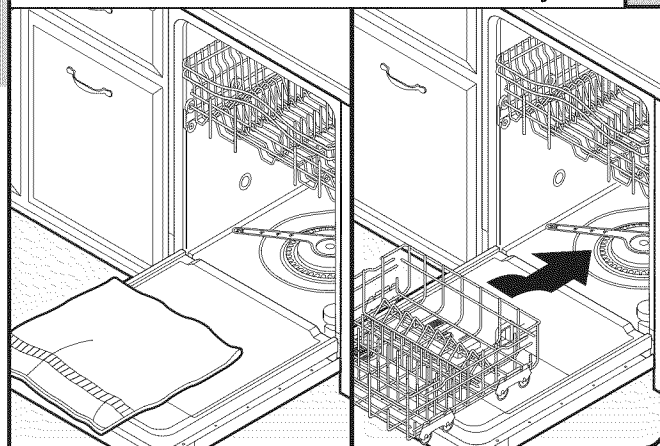
Revise que la parte superior de la puerta no haga contacto con los tornillos, los soportes o el mostrador. Si esto sucede, regule las patas niveladoras.

5 Revise el espacio interior



Abra la puerta y verifique que el espacio entre la abertura de la carcasa de la lavavajillas y la tina sea igual en ambos lados. Si los espacios no son iguales, afloje los tornillos que se aseguraron del soporte y mueva la tina. Apriete los tornillos del soporte.

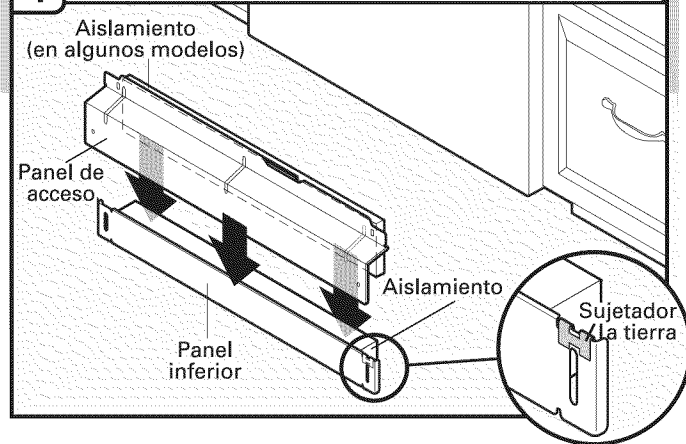
6 Saque la toalla y vuelva a colocar la canasta inferior de la lavavajillas



Quite la toalla de la lavavajillas. Vuelva a instalar la canasta de platos inferior.

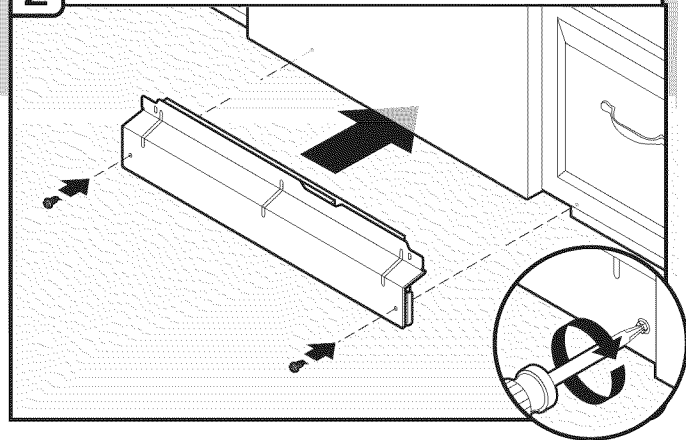
Complete la instalación

1 Vuelva a instalar los paneles de acceso



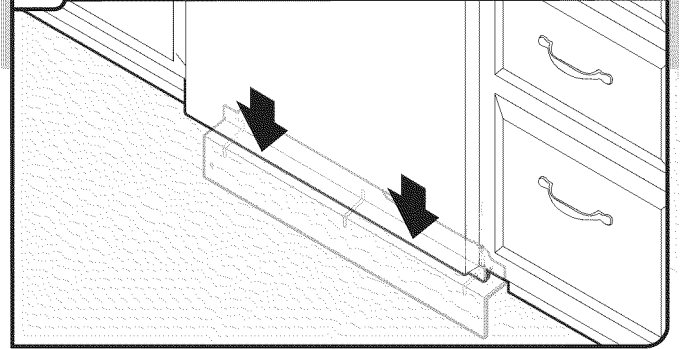
Revise que el sujetador a tierra esté sujeto al panel inferior. Coloque el panel inferior detrás del panel de acceso. En algunos modelos hay un aislamiento en el panel de acceso, el cual debe quedar detrás del aislamiento, en el panel inferior.

2 Vuelva a instalar los paneles de acceso



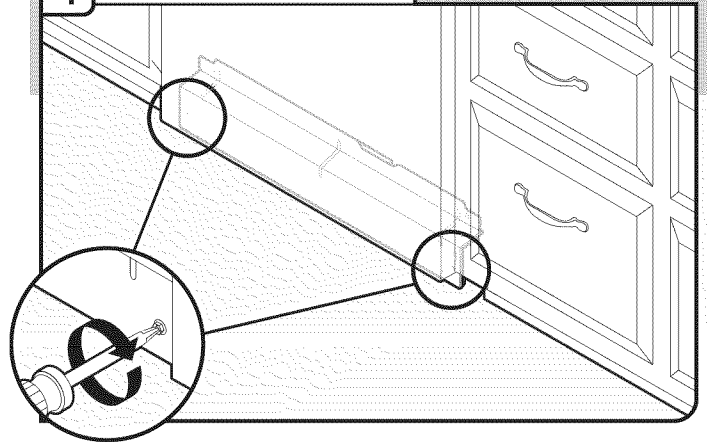
Sujete los 2 paneles juntos y colóquelos contra la pata de la lavavajillas. Reinstale los tornillos a través de los orificios en el panel de acceso y las ranuras en el panel inferior con un destornillador Phillips o uno de 1/4".

3 Revise el borde inferior del panel



Revise que el borde inferior del panel inferior haga contacto con el piso. Ajustelo si es necesario.

4 Apriete los tornillos



Apriete los tornillos del panel de acceso.

⚠ ADVERTENCIA



Peligro de Choque Eléctrico

Conecte a un contacto de pared de conexión a tierra de 3 terminales.

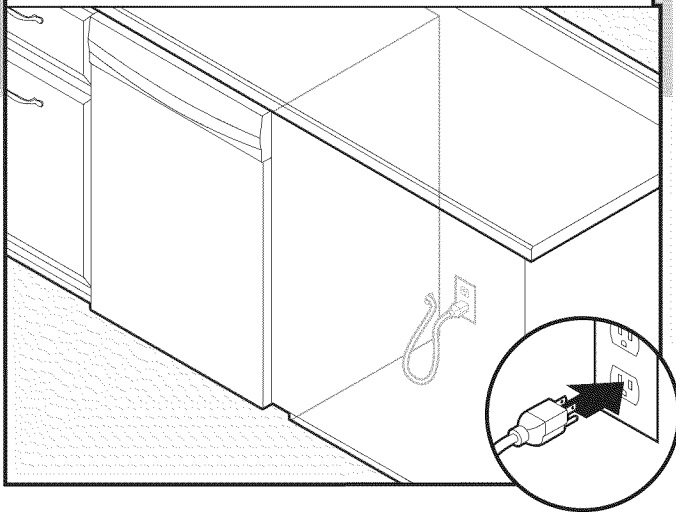
No quite la terminal de conexión a tierra.

No use un adaptador.

No use un cable eléctrico de extensión.

No seguir estas instrucciones puede ocasionar la muerte, incendio o choque eléctrico.

1 Cable de de suministro eléctrico - Enchúfelo en un contacto de conexión a tierra de 3 terminales



Conecte a un contacto de pared de conexión a tierra de 3 terminales. Revise que el cable de suministro eléctrico no toque el motor de la lavavajillas ni la parte inferior de la tina de la misma.

Reconecte el suministro de energía

1 Reconecte el suministro de energía

Reconecte el suministro de energía en la caja de fusibles o la caja de cortacircuitos.

Verifique el funcionamiento

- Lea las Instrucciones para el usuario de la lavavajillas que vinieron con la misma.

- Verifique que todas las piezas hayan sido instaladas y que no se haya saltado ningún paso. Verifique que tenga todas las herramientas que usó.
- Ponga a funcionar la lavavajillas y deje que complete el ciclo de lavado más corto. Después de los 2 primeros minutos, destrabe la puerta, espere 5 segundos y luego ábrala. Verifique si hay agua en la parte inferior de la tina de la lavavajillas. Verifique que la lavavajillas esté funcionando adecuadamente.

Si la lavavajillas no funciona como es debido, desconecte el suministro de energía o desenchufe la lavavajillas y vea la sección "Si la lavavajillas no funciona".

Si la lavavajillas no funciona

Pruebe primero las soluciones aquí sugeridas y posiblemente se evite el costo de una visita de servicio técnico.

- ¿Se ha disparado el cortacircuitos o se ha quemado el fusible de la casa?
- ¿Se ha cerrado y trabado bien la puerta?
- ¿Se ha seleccionado correctamente el ciclo para poner en marcha la lavavajillas?
- ¿Está abierta la llave del agua?

Si ninguna de estas soluciones funciona, llame al 1-800-4-MY-HOME®.

Consejos adicionales

¡Felicitaciones por haber comprado la lavavajillas con bajo consumo de agua y energía! Esta lavavajillas limpia rociando la vajilla con agua y hace pausas para permitir que el detergente remoje la vajilla y afloje la suciedad de los platos. Para obtener una limpieza excepcional, los ciclos se hacen más largos debido al remojo y las pausas. Los modelos con SmartWash^{®HE} tienen un sensor óptico de agua. El sensor óptico de agua se usa para determinar el consumo óptimo de agua y energía para un desempeño de limpieza ideal. El primer ciclo con sensor durará más tiempo para calibrar el sensor óptico..

El agente de enjuague es esencial para obtener buenos resultados en el secado:

Esta lavavajillas ha sido diseñada para usarse en conjunción con agente de enjuague para lograr un buen secado y para controlar la acumulación de depósitos de agua dura. Las lavavajillas que ahorran energía usan menos agua y energía, de modo que dependen de la acción de desplazamiento del agua por obra del agente de enjuague, para realizar un buen secado.

Es posible que destelle la luz de Start/Resume (Inicio/Reanudar):

Cuando se presione Start/Resume (Inicio/Reanudar), deberá asegurarse de cerrar la puerta en menos de 3 segundos. Si no cierra la puerta en menos de 3 segundos, la luz de Start/Resume (Inicio/Reanudar) destellará hasta que la presione nuevamente. (También deberá hacer esto cuando agregue un plato en la mitad de un ciclo.)

NOTA: Si se usa una manguera de suministro trenzada, reemplace la manguera de entrada después de 5 años para reducir el riesgo de que falle. Para consulta en el futuro, anote en la manguera la fecha de instalación o la fecha de reposición de la misma.

TABLE DES MATIÈRES

SÉCURITÉ DU LAVE-VAISSELLE	52	Installation du tuyau d'évacuation.....	60
EXIGENCES D'INSTALLATION	53	Préparation du lave-vaisselle.....	63
Outillage et pièces	53	Raccordement du cordon d'alimentation	64
Exigences d'emplacement	54	Évaluation de l'ouverture d'encastrement du placard	65
Exigences d'évacuation	56	Choix de l'option de fixation	66
Spécifications de l'alimentation en eau	56	Insertion du lave-vaisselle dans l'ouverture d'encastrement du placard.....	68
Spécifications électriques.....	56	Raccordement à l'alimentation en eau.....	70
INSTRUCTIONS D'INSTALLATION	57	Raccordement au circuit d'évacuation	70
Préparation de l'ouverture d'encastrement du placard – Moyens de raccordement préexistants	57	Raccordement électrique direct	71
Préparation de l'ouverture d'encastrement du placard – Nouveaux moyens de raccordement.....	58	Fixation du lave-vaisselle dans l'ouverture d'encastrement du placard.....	72
Préparation et acheminement de la canalisation d'eau	59	Achever l'installation.....	74
		Contrôle du fonctionnement.....	75
		Si le lave-vaisselle ne fonctionne pas.....	75
		Conseils supplémentaires	75

SÉCURITÉ DU LAVE-VAISSELLE

Votre sécurité et celle des autres est très importante.

Nous donnons de nombreux messages de sécurité importants dans ce manuel et sur votre appareil ménager. Assurez-vous de toujours lire tous les messages de sécurité et de vous y conformer.



Voici le symbole d'alerte de sécurité.

Ce symbole d'alerte de sécurité vous signale les dangers potentiels de décès et de blessures graves à vous et à d'autres.

Tous les messages de sécurité suivront le symbole d'alerte de sécurité et le mot "DANGER" ou "AVERTISSEMENT". Ces mots signifient :

⚠ DANGER

Risque possible de décès ou de blessure grave si vous ne suivez pas immédiatement les instructions.

⚠ AVERTISSEMENT

Risque possible de décès ou de blessure grave si vous ne suivez pas les instructions.

Tous les messages de sécurité vous diront quel est le danger potentiel et vous disent comment réduire le risque de blessure et ce qui peut se produire en cas de non-respect des instructions.

⚠ AVERTISSEMENT



Risque de basculement

Ne pas utiliser le lave-vaisselle jusqu'à ce qu'il soit complètement installé.

Ne pas appuyer sur la porte ouverte.

Le non-respect de ces instructions peut causer des blessures graves ou des coupures.

Il faut :

- Ouvrir lentement la porte du lave-vaisselle tandis qu'une autre personne saisit l'arrière de l'appareil. Retirer les matériaux d'expédition, le tuyau d'évacuation et le panier inférieur. Fermer la porte du lave-vaisselle; elle doit s'enclencher.
- Respecter les dispositions de tous les codes et règlements en vigueur.
- Installer le lave-vaisselle conformément aux présentes instructions.
- L'installation doit être exécutée par un technicien qualifié. Le lave-vaisselle doit être installé conformément aux dispositions de tous les codes et règlements locaux et nationaux régissant les installations de plomberie et d'électricité.


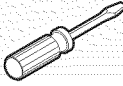
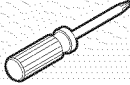
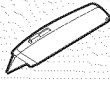
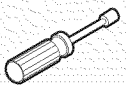
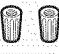

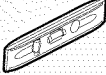
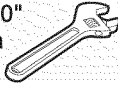

EXIGENCES D'INSTALLATION

Outillage et pièces

Rassembler les outils et composants nécessaires avant d'entreprendre l'installation. Lire et observer les instructions fournies avec chacun des outils de la liste ci-dessous.

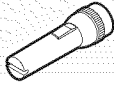

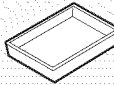
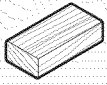
Toutes les installations

Outillage nécessaire :



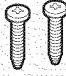
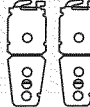
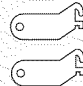
Pince 	Tournevis à lame plate 
Tournevis Phillips 	Couteau utilitaire 
Tourne-écrou ou clés à douille hexagonales de 5/16" et 1/4" 	Connecteurs de fils (homologation UL ou CSA)* 
Mètre-ruban ou règle 	Petit niveau 
Clé à molette de 10" (ouverture jusqu'à 1 1/8" [2,9 cm]) 	Clé plate de 5/8" 

*Doit être de taille appropriée pour raccorder le câblage du domicile au câblage de calibre 16 du lave-vaisselle.

Autres articles utiles pouvant être nécessaires :

Lampe de poche 	Serviette de bain 
Plat peu profond 	Cale en bois 

Pièces fournies :

2 brides de tuyau d'évacuation (1 grosse et 1 petite)  Argenté Vert	Tuyau d'évacuation 	2 vis Phillips n° 10 x 1/2" 	2 – brides de montage sous le plan de travail (supérieur) 	Brides de montage latéral sous le plan de travail (2) 
--	--	---	---	---

S'assurer que toutes ces pièces sont contenues dans le sachet de documentation.

Pièces nécessaires :

Raccord de compression de 3/8" x 3/4" pour tuyau. Contacter votre magasin local Sears pour acheter l'ensemble n° 11000.



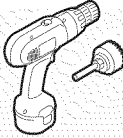
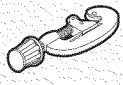
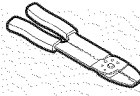
Autres pièces pouvant être nécessaires :

Bride de tuyau à vis 1 1/2 à 2" (3,81–5 cm) (max. 3) 	Ensemble de montage latéral pour plan de travail massif (Pièce n° 8212560) 	Ruban de masquage ou ruban adhésif pour conduits 
---	--	--

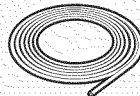
REMARQUE : Pièces disponibles à l'achat dans les magasins de fournitures de plomberie. Consulter les codes locaux. Vérifier l'alimentation électrique existante. Voir la section "Spécifications électriques". Il est recommandé de faire réaliser tous les raccordements électriques par un électricien qualifié agréé.

D'autre part, pour les premières installations

Outillage nécessaire :

Perceuse électrique avec mèches de scie à guichet de 1/2", 3/4" et 1 1/2" 	Petit coupe-tube 	Pince à dénuder 
---	--	---

Pièces nécessaires :

Canalisation de cuivre (diamètre externe suggéré de 3/8") ou canalisation d'arrivée d'eau flexible à tresse d'acier 	Voir la section "Spécifications électriques"	Cordon d'alimentation : utiliser un cordon d'alimentation (homologation UL/CSA) conçu pour utilisation avec un lave-vaisselle.
Pour les installations à raccordement direct : utiliser un serre-câble (homologation UL/CSA) qui convienne à l'orifice de 7/8" (2,2 cm)		

Exigences d'emplacement

Une source d'électricité avec liaison à la terre est nécessaire.

Ne pas placer de canalisation d'évacuation, canalisation d'eau ou câblage électrique à un endroit où cela susciterait interférence ou contact avec les pieds ou le moteur du lave-vaisselle.

À l'emplacement d'installation du lave-vaisselle, on doit pouvoir établir le dégagement approprié entre le moteur et le plancher. Le moteur ne doit pas toucher le plancher.

Ne pas installer le lave-vaisselle sur de la moquette.

Abriter du gel le lave-vaisselle et les canalisations d'eau qui l'alimentent. La garantie de l'appareil ne couvre pas les dommages imputables au gel.

Un ensemble de panneau latéral est disponible chez votre marchand pour l'installation du lave-vaisselle à l'extrémité d'une rangée de placards.

Une barrière anti-humidité (produit n° 4396277) est disponible chez votre revendeur pour l'installation de l'appareil sous le plan de travail.

Inspecter l'emplacement d'installation du lave-vaisselle. Il doit comporter les caractéristiques suivantes :

- facilité d'accès aux canalisations d'eau et d'égout et à la source d'électricité.

- accès facile pour le chargement et déchargement de la vaisselle. Dans le cas d'installation dans un angle, on doit pouvoir établir un dégagement minimal de 2" (5,1 cm) entre le côté de la porte du lave-vaisselle et le mur ou le placard.
- ouverture carrée offrant l'esthétique appropriée et permettant un fonctionnement correct.
- façade des placards perpendiculaire au plancher.
- plancher horizontal et plat. (S'il y a un écart de niveau sur le plancher entre l'avant et l'arrière de l'emplacement d'installation, il pourrait être nécessaire d'utiliser des cales pour établir l'aplomb de l'appareil.)

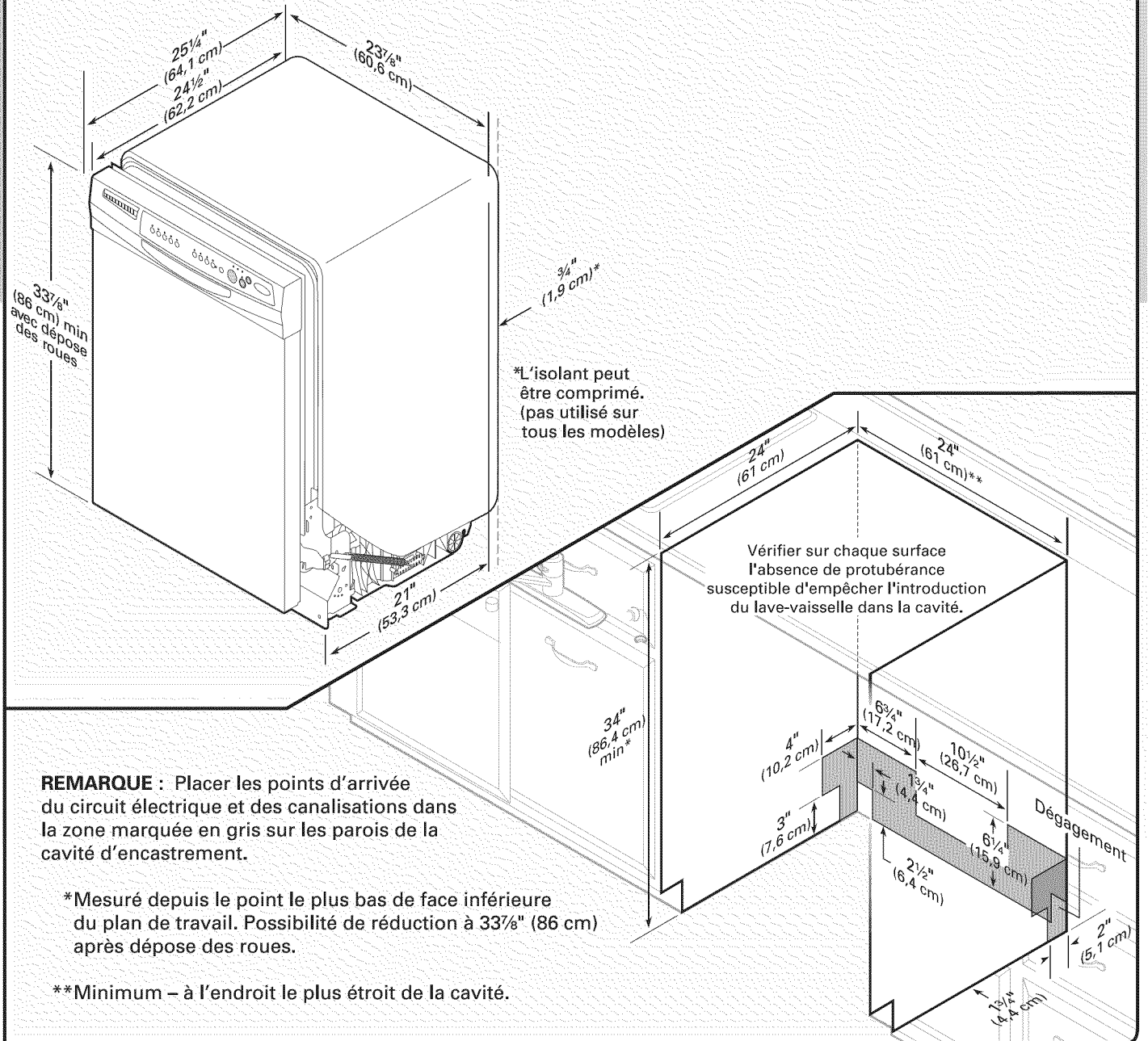
Conseil utile : Veiller à mesurer correctement les dimensions et s'assurer que le lave-vaisselle est d'aplomb si le plancher dans l'ouverture d'encastrement du lave-vaisselle est irrégulier (par exemple, le revêtement de sol ne pénètre que partiellement dans l'ouverture).

REMARQUE : Pour éviter tout déplacement des cales durant le fonctionnement du lave-vaisselle, les cales doivent être solidement fixées au plancher.

Si le lave-vaisselle ne doit pas être utilisé pendant une période prolongée ou s'il est laissé à un endroit qui pourrait être exposé au gel, veiller à faire exécuter les opérations de pré-hivernage par un technicien compétent.

Veiller à ce que les canalisations d'eau et d'évacuation et les câbles électriques se trouvent dans les limites de la zone marquée en gris illustrée dans la section "Dimensions du produit et de l'ouverture d'encastrement du placard".

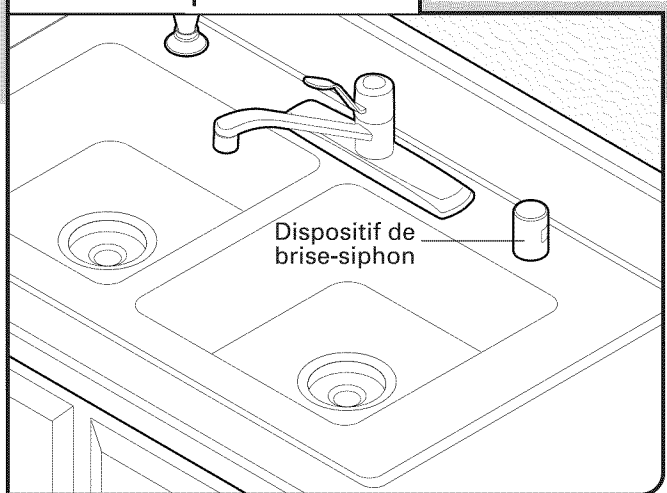
Dimensions - Produit et cavité d'encastrement



Exigences d'évacuation

- Un tuyau d'évacuation neuf est fourni avec le lave-vaisselle. Si ce tuyau n'est pas suffisamment long, utiliser un tuyau d'évacuation neuf de longueur maximale de 12 pi (3,7 m) (pièce numéro 3385556) qui satisfait les critères des normes de test AHAM/IAPMO en vigueur, est résistant à la chaleur et aux détergents, et peut être connecté au raccord d'évacuation de 1" (2,5 cm) du lave-vaisselle.
- Veiller à raccorder le tuyau d'évacuation à la canalisation d'égout en T ou au raccord de broyeur à déchets en amont du siphon du circuit de plomberie du domicile, et à au moins 20" (50,8 cm) au-dessus du sol. On recommande de lover le tuyau d'évacuation et de le fixer solidement sur la face inférieure du plan de travail, ou de le raccorder à un dispositif de brise-siphon.

Utilisation du dispositif de brise-siphon



- Utiliser un dispositif de brise-siphon si le tuyau d'évacuation est raccordé au circuit de plomberie du domicile à moins de 20" (50,8 cm) au-dessus du sous-plancher ou du plancher.
- Utiliser des raccords de diamètre intérieur minimal de 1/2" pour le conduit d'évacuation.
- Si nécessaire, le dispositif de brise-siphon doit être installé conformément aux instructions d'installation de ce dernier. Lors du raccordement du dispositif de brise-siphon à la canalisation d'égout en T ou au raccord de broyeur à déchets, un tuyau en caoutchouc (non fourni) sera nécessaire.

Spécifications de l'alimentation en eau

- Une canalisation d'eau chaude, sous pression de 20 à 120 lb/po² (138–862 kPa) peut être inspectée par un plombier certifié.
- Température de l'eau de 120°F (49°C) à l'entrée du lave-vaisselle.

- Canalisation de cuivre de diamètre externe de 3/8" avec raccord à compression ou canalisation d'arrivée d'eau flexible à tresse d'acier (pièce numéro 4396897RP).

REMARQUE : L'emploi d'un tuyau de plastique d'un minimum de 1/2" n'est pas recommandé.

- Raccord coudé à 90° avec raccord de tuyau de 3/4" avec rondelle de caoutchouc.
- Ne pas souder à moins de 6" (15,2 cm) de l'électrovanne d'admission d'eau.

Spécifications électriques

S'assurer que le raccordement électrique et la taille des conducteurs sont adéquats et conformes au code national de l'électricité, ANSI/NFPA 70 – dernière édition, et à tous les codes et règlements locaux en vigueur.

Pour obtenir un exemplaire des normes des codes ci-dessus, contacter :

National Fire Protection Association
1 Batterymarch Park
Quincy, MA 02269

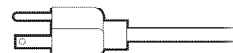
On doit disposer des éléments suivants :

- Une source d'alimentation de 120 V, 60 Hz, CA uniquement, de type 15 ou 20 ampères, protégée par fusible et reliée à la terre.
- Uniquement des conducteurs de cuivre.

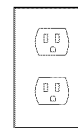
Nous recommandons :

- L'utilisation d'un fusible ou disjoncteur temporisé.
- Un circuit séparé.

Pour le raccordement du lave-vaisselle avec un cordon d'alimentation électrique :



- Utiliser l'ensemble de cordon d'alimentation électrique (homologation UL) (pièce numéro 4317824) pour utilisation avec lave-vaisselle.
- Le cordon d'alimentation électrique doit être branché dans une prise à trois alvéoles reliée à la terre située dans le placard, près de l'ouverture du lave-vaisselle. La prise doit être conforme à tous les codes et règlements locaux.



Pour le raccordement direct du lave-vaisselle :

- Utiliser des conducteurs de cuivre gainés non métalliques ou blindés souples avec conducteur de liaison à la terre qui satisfassent aux exigences de l'installation électrique du domicile, et qui soient conformes aux prescriptions des codes et règlements locaux.
- Utiliser un serre-câble (homologation UL ou CSA).



INSTRUCTIONS D'INSTALLATION

⚠ AVERTISSEMENT



Risque de choc électrique

Interrompre l'alimentation électrique avant d'installer le lave-vaisselle (au niveau du tableau de distribution - fusible ou disjoncteur)

Le non-respect de cette instruction peut causer un décès ou un choc électrique.

1 Déconnecter la source de courant électrique

Avant d'entreprendre l'installation du lave-vaisselle, interrompre l'alimentation du circuit au niveau du boîtier de distribution (fusible ou disjoncteur).

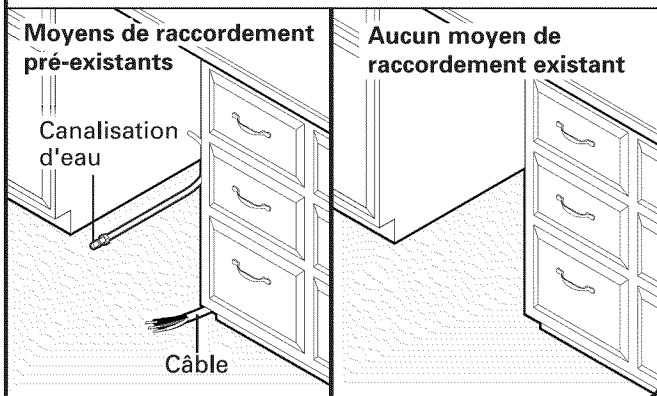
2 Fermeture de l'alimentation en eau

Fermer l'alimentation en eau raccordée au lave-vaisselle.

3 L'utilisateur possède-t-il déjà des moyens de raccordement?

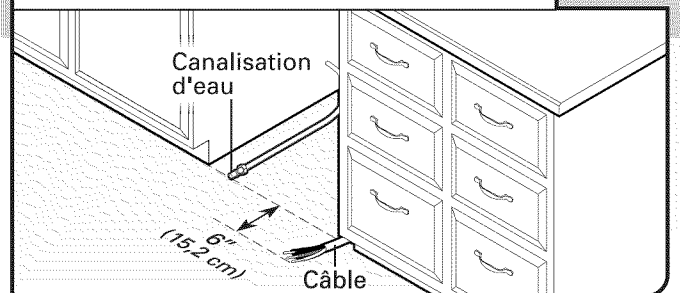
Oui—Suivre les instructions de la section "Préparation de l'ouverture d'encastrement du placard - Moyens de raccordement pré-existants".

Non—Suivre les instructions de la section "Préparation de l'ouverture d'encastrement du placard - Nouveaux moyens de raccordement".



Préparation de l'ouverture d'encastrement du placard – Moyens de raccordement préexistants

1 Vérification de l'emplacement du circuit d'eau et d'électricité

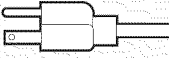



Si la canalisation d'eau et le câble dépassent des emplacements indiqués, passer à la section "Installation du tuyau d'évacuation". S'ils ne sont pas assez longs, suivre les instructions dans la section "Préparation de l'ouverture d'encastrement du placard – Nouveaux moyens de raccordement".

Préparation de l'ouverture d'encastrement du placard – Nouveaux moyens de raccordement

Préparation et acheminement de l'alimentation électrique

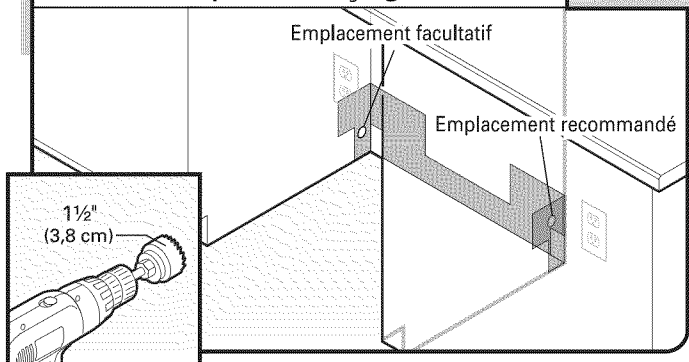
Quel type de connexion l'utilisateur emploie-t-il?

-  Cordon d'alimentation électrique : Suivre les instructions de l'option A
-  Raccordement direct : Suivre les instructions de l'option B

Option A, cordon d'alimentation :

REMARQUE : On doit disposer d'une prise à trois alvéoles, reliée à la terre, située dans un placard qui se trouve près de l'ouverture du lave-vaisselle.

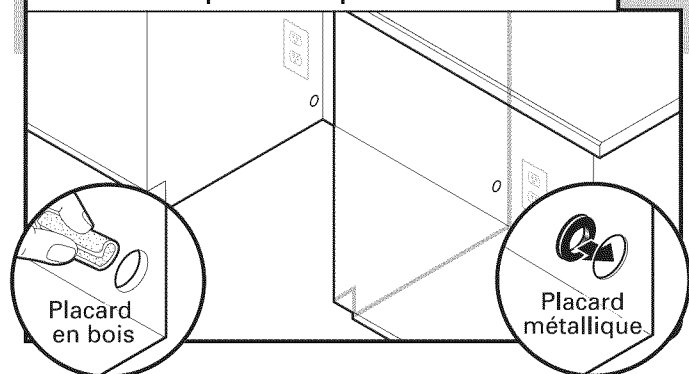
1 Cordon d'alimentation électrique - Perçage du trou



Percer un trou de 1 1/2" (3,8 cm) dans la paroi latérale ou arrière du placard.

Voir les dimensions du produit et de l'ouverture d'encastrement du placard.

2 Cordon d'alimentation électrique - Préparation du trou



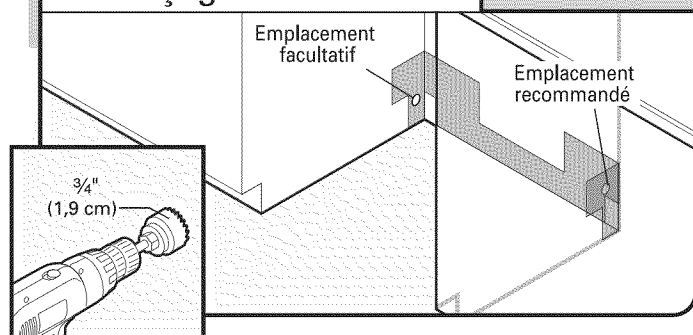
Placard de bois : Poncer le trou jusqu'à obtenir une surface lisse.

Placard métallique : Couvrir le trou avec l'œillet fourni avec la trousse du cordon d'alimentation électrique.

Option B, raccordement direct :

Conseil utile : Le raccordement au lave-vaisselle sera plus facile si l'on achemine le câble par le côté droit de l'ouverture d'encastrement du placard.

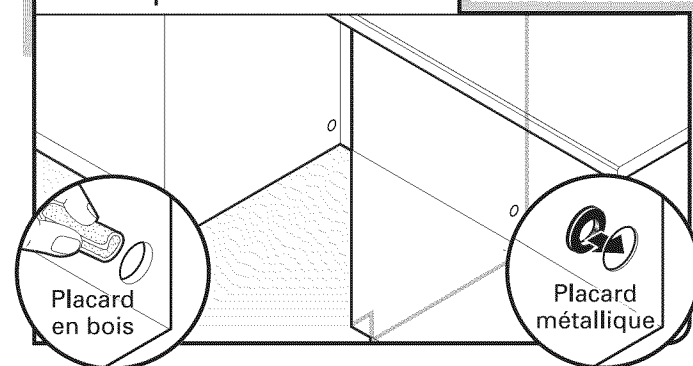
1 Raccordement direct - Perçage du trou



Percer un trou de 3/4" (1,9 cm) dans le côté droit de la paroi latérale ou arrière du placard.

Voir les dimensions du produit et de l'ouverture d'encastrement du placard.

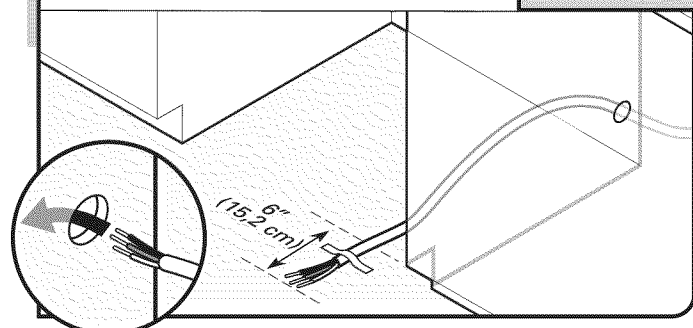
2 Raccordement direct - Préparation du trou



Placard en bois : Poncer le trou jusqu'à obtenir une surface lisse.

Placard métallique : Couvrir le trou avec un œillet (pièce n° 302797 - non fourni).

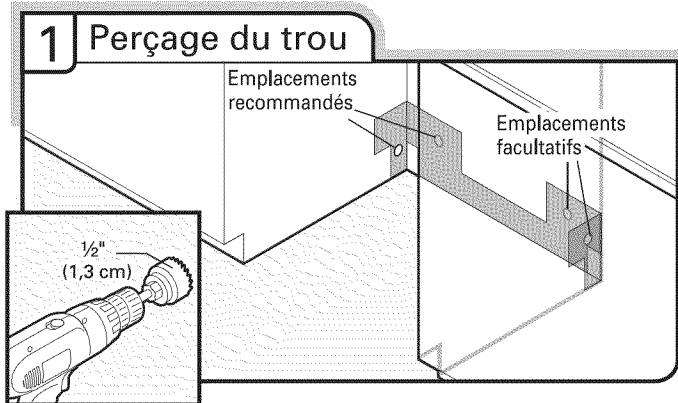
3 Raccordement direct - Acheminement du câble



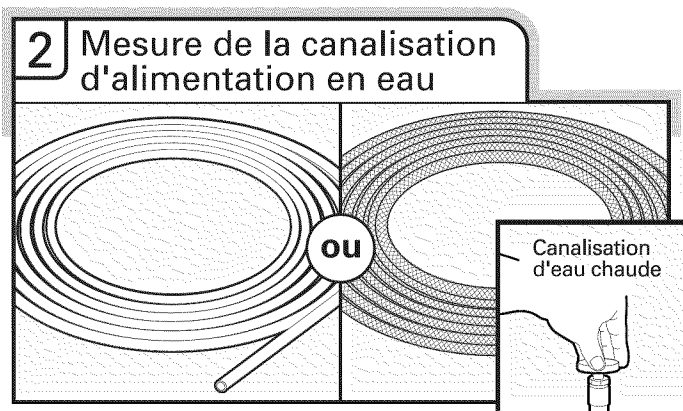
Acheminer le câble de la source d'alimentation électrique à travers le trou dans le placard (le câble doit dépasser par le côté avant droit de l'ouverture d'encastrement du placard). Fixer le câble au plancher avec du ruban adhésif dans la zone indiquée. Cela empêchera le câble de bouger lors de l'insertion du lave-vaisselle dans l'ouverture du placard.

Préparation et acheminement de la canalisation d'eau

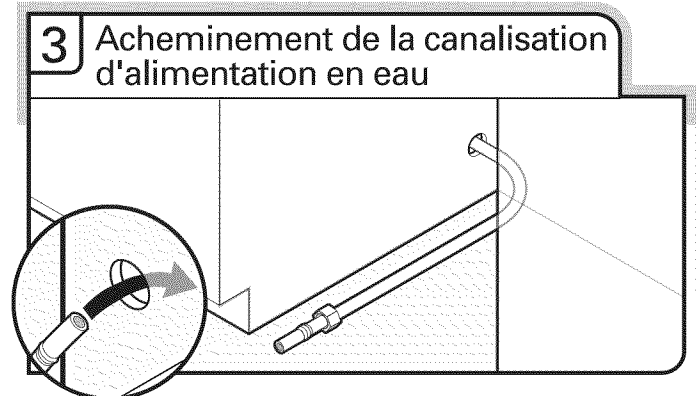
Conseil utile : Le raccordement du circuit d'eau sera plus facile si l'on achemine la canalisation d'eau par le côté gauche de l'ouverture du placard.



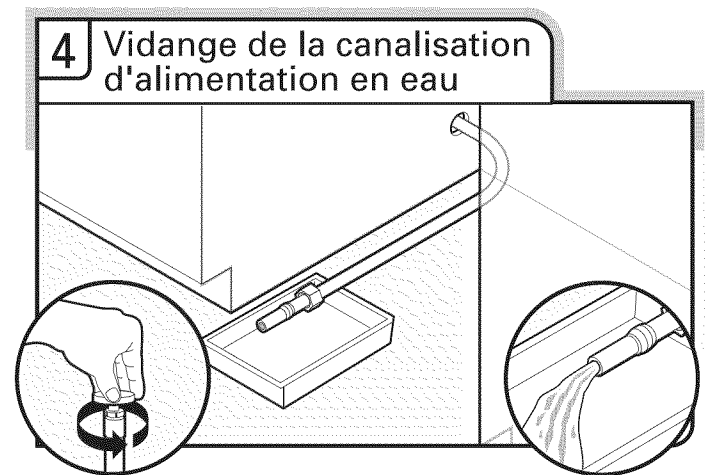
Percer un trou de 1/2" (1,3 cm) dans la paroi latérale ou arrière du placard.



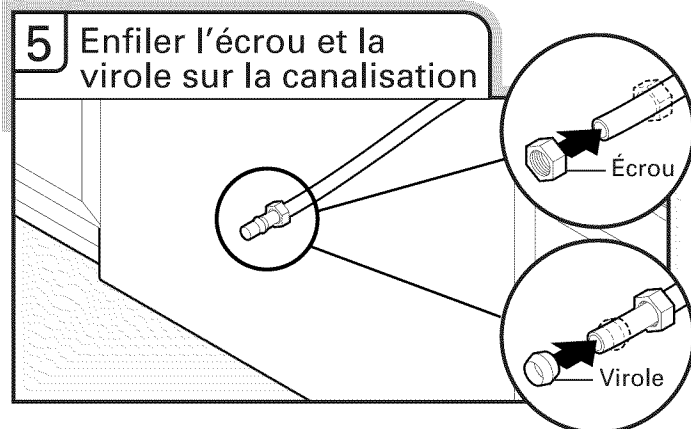
Mesurer la longueur totale de la canalisation de cuivre ou de la canalisation d'arrivée d'eau flexible à tresse d'acier. Fixer la canalisation d'eau chaude à l'aide d'une configuration de raccordement qui soit conforme à tous les codes et règlements locaux. La canalisation d'eau raccordée au lave-vaisselle doit comporter un robinet d'arrêt manuel.



Faire passer prudemment la canalisation d'alimentation en eau à travers le trou percé dans le placard. (Si l'on utilise un tube de cuivre, ne pas oublier qu'un tube de cuivre peut s'écraser/se déformer facilement lors d'une flexion; procéder prudemment.) Il faut que la longueur de la section qui dépasse dans l'espace d'encastrement soit suffisante pour le raccordement à l'entrée du lave-vaisselle sur le côté gauche/à l'avant du lave-vaisselle.

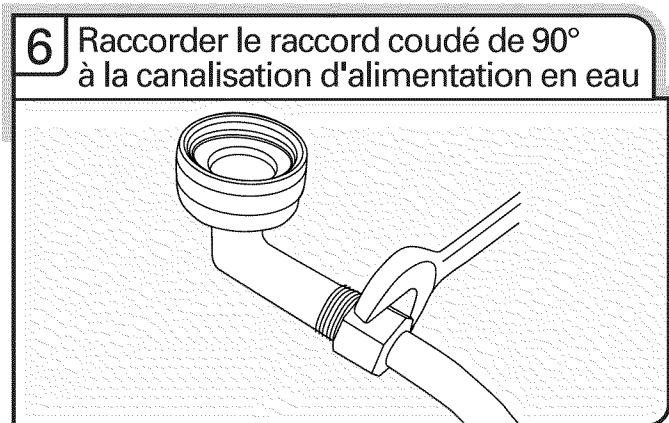


Tourner lentement le robinet d'arrêt jusqu'à la position "ON" (marche). Vider l'eau dans un plat peu profond pour éliminer les particules et débris qui pourraient obstruer l'électrovanne d'admission. Tourner le robinet d'arrêt jusqu'à la position "OFF" (arrêt).



Canalisation en cuivre uniquement : Enfiler l'écrou puis la virole sur la canalisation de cuivre, sur environ 1" (2,5 cm).

REMARQUE : Pour réduire les vibrations durant le fonctionnement, acheminer la canalisation d'alimentation en eau de telle manière qu'elle ne touche pas la base, le châssis ou le moteur de l'appareil.



Raccorder le raccord de compression de $\frac{3}{8}$ " à la canalisation d'alimentation en eau avant d'installer l'appareil dans l'ouverture découpée dans le placard. Le fixer de façon à ce que le raccord de $\frac{3}{4}$ " soit orienté vers le haut, tel qu'illustré ci-dessus.

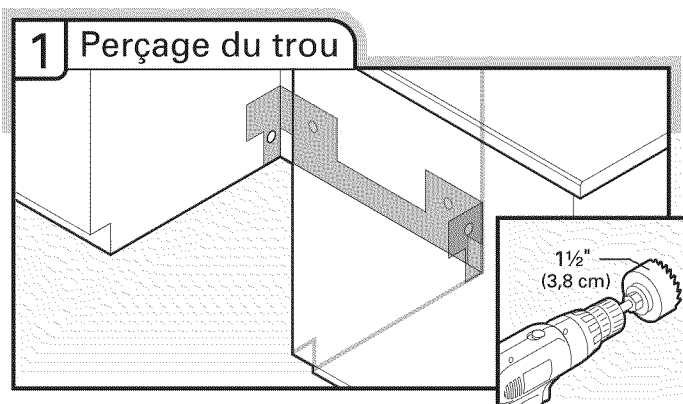
Canalisation en cuivre uniquement : insérer la canalisation dans le raccord coudé de 90° aussi loin que possible (la canalisation en cuivre se plie et s'écrase facilement). Faire glisser l'écrou et la virole vers l'avant et engager l'écrou sur le filetage du raccord coudé.

Raccord flexible à tresse d'acier : Fixer l'écrou sur le coude à l'aide d'une clé plate ou d'une clé à molette de $\frac{5}{8}$ ".

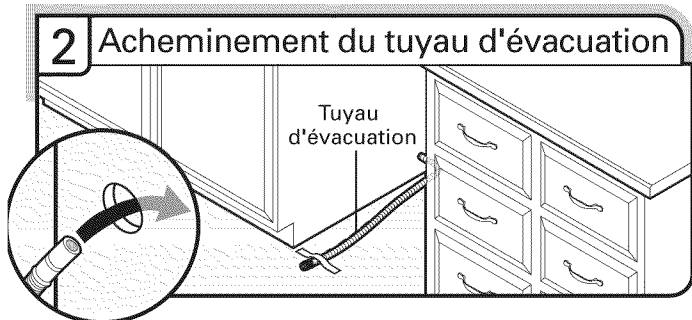
REMARQUE : Ne pas utiliser de ruban adhésif Teflon® avec les raccords de compression.

Installation du tuyau d'évacuation

IMPORTANT : Utiliser toujours un tuyau d'évacuation neuf. Vérifier les codes locaux pour déterminer si un dispositif de brise-siphon est nécessaire.



Si nécessaire, percer un trou de $1\frac{1}{2}$ " (3,8 cm) de diamètre dans la paroi du placard ou l'arrière de l'ouverture la plus proche de l'évier.



Insérer le tuyau d'évacuation tel qu'indiqué à travers le trou dans le placard et l'acheminer jusqu'au point de raccordement du tuyau d'évacuation (au centre de l'ouverture, à l'avant). Fixer le tuyau d'évacuation au plancher avec du ruban adhésif dans la zone indiquée. Cela l'empêchera de bouger lors de l'insertion du lave-vaisselle dans l'ouverture du placard.

3 Raccordement du tuyau d'évacuation

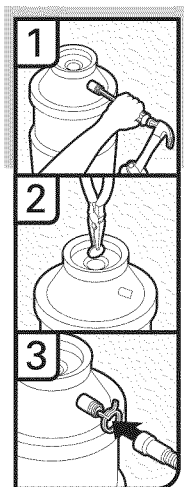
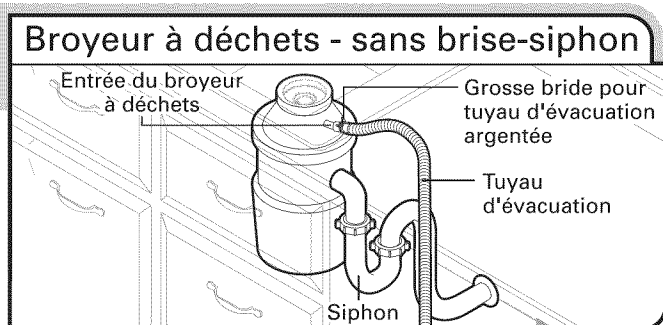
Raccorder le tuyau d'évacuation à la canalisation d'égout en T ou au broyeur à déchets en utilisant l'une des options suivantes :

- Option A, Broyeur à déchets - sans brise-siphon
- Option B, Pas de broyeur à déchets - sans brise-siphon
- Option C, Broyeur à déchets - avec brise-siphon
- Option D, Pas de broyeur à déchets - avec brise-siphon

IMPORTANT : Le raccordement du tuyau d'évacuation à la canalisation d'égout en T ou au raccord de broyeur à déchets doit être réalisé en amont du siphon du circuit d'évacuation et à au moins 20" (50,8 cm) au-dessus du plancher de l'espace d'installation du lave-vaisselle.

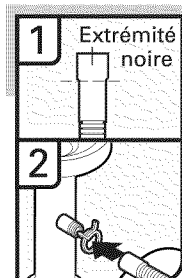
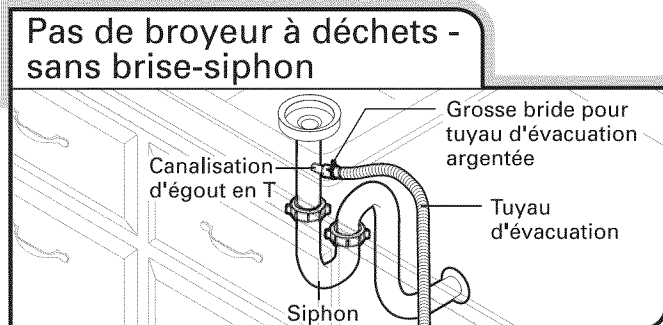
Conseil utile : Afin de minimiser les vibrations du tuyau, le tenir à distance du plancher.

Option A - broyeur à déchets – sans brise-siphon



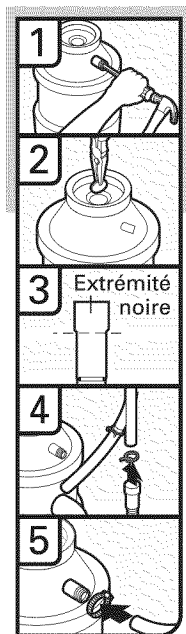
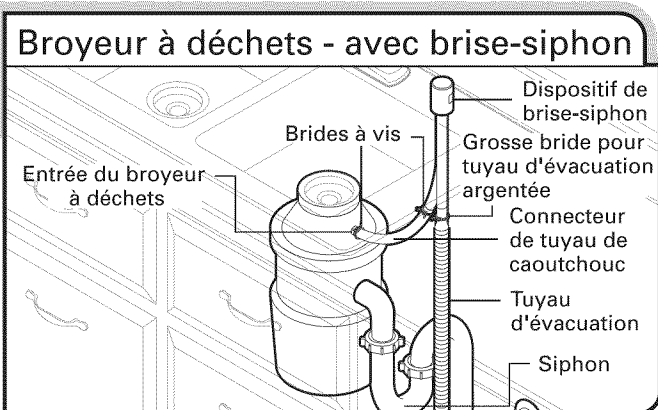
1. À l'aide d'un marteau et d'un tournevis, enfoncer le bouchon d'obturation dans le broyeur à déchets.
2. Retirer le bouchon d'obturation à l'aide d'une pince à pointe biseautée.
3. Fixer le tuyau d'évacuation sur le raccord de broyeur à déchets à l'aide de la grosse bride pour tuyau d'évacuation argentée (fournie). À l'aide d'une pince, serrer la bride pour l'ouvrir et la mettre en position.

Option B - pas de broyeur à déchets – sans brise-siphon



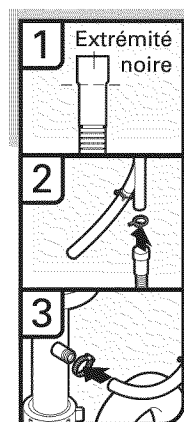
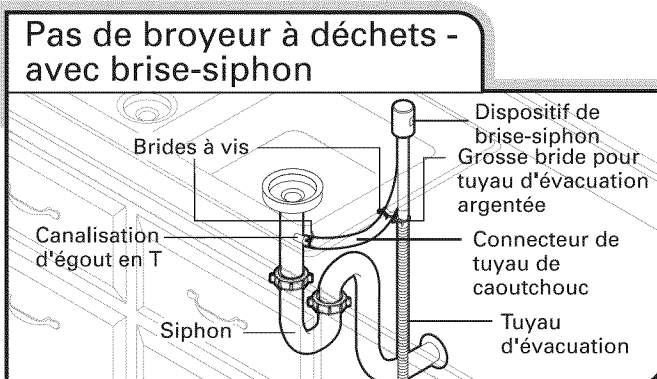
1. Raccorder l'extrémité noire du tuyau d'évacuation à la canalisation d'égout en T et couper si nécessaire.
REMARQUE : Ne pas couper la section ondulée.
2. Fixer l'extrémité noire du tuyau d'évacuation à la canalisation d'égout en T à l'aide d'une grosse bride pour tuyau d'évacuation argentée (fournie). À l'aide d'une pince, serrer la bride pour l'ouvrir et la mettre en position. Si le tuyau d'évacuation a été coupé, utiliser une bride à vis de 1 1/2" à 2" (3,8 à 5 cm) (non fournie).

Option C - broyeur à déchets - avec brise-siphon



1. À l'aide d'un marteau et d'un tournevis, enfoncer le bouchon d'obturation dans le broyeur à déchets.
2. Retirer le bouchon d'obturation à l'aide d'une pince à pointe biseautée.
3. Raccorder l'extrémité noire du tuyau d'évacuation au dispositif de brise-siphon et couper si nécessaire. **REMARQUE** : Ne pas couper la section ondulée.
4. Fixer le tuyau d'évacuation sur le dispositif de brise-siphon à l'aide de la grosse bride de tuyau d'évacuation argentée (fournie). À l'aide d'une pince, serrer la bride pour l'ouvrir et la mettre en position. Si le tuyau d'évacuation a été coupé, utiliser une bride à vis de 1 1/2" à 2" (3,8 à 5 cm) (non fournie).
5. Utiliser un tuyau en caoutchouc (non fourni) et une bride à vis (non fournie) pour le raccordement du dispositif de brise-siphon à l'entrée du broyeur à déchets.

Option D - pas de broyeur à déchets – avec brise-siphon



1. Raccorder l'extrémité noire du tuyau d'évacuation au dispositif de brise-siphon et couper si nécessaire. **REMARQUE** : Ne pas couper la section ondulée.
2. Fixer le tuyau d'évacuation sur le dispositif de brise-siphon à l'aide de la grosse bride pour tuyau d'évacuation argentée (fournie). À l'aide d'une pince, serrer la bride pour l'ouvrir et la mettre en position. Si le tuyau d'évacuation a été coupé, utiliser une bride à vis de 1 1/2" à 2" (3,8 à 5 cm) (non fournie).
3. Utiliser un tuyau en caoutchouc (non fourni) et une bride à vis (non fournie) pour le raccordement de la canalisation d'égout en T au dispositif de brise-siphon.

Préparation du lave-vaisselle

⚠ AVERTISSEMENT



Risque de basculement

Ne pas utiliser le lave-vaisselle jusqu'à ce qu'il soit complètement installé.

Ne pas appuyer sur la porte ouverte.

Le non-respect de ces instructions peut causer des blessures graves ou des coupures.

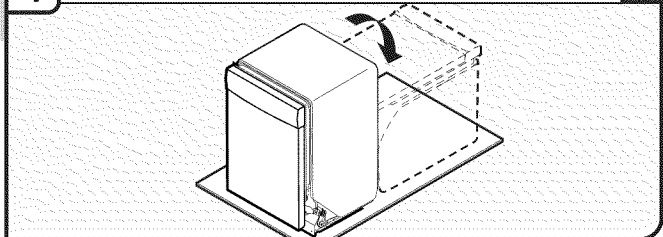
⚠ AVERTISSEMENT

Risque du poids excessif

Utiliser deux personnes ou plus pour déplacer et installer le lave-vaisselle.

Le non-respect de cette instruction peut causer une blessure au dos ou d'autre blessure.

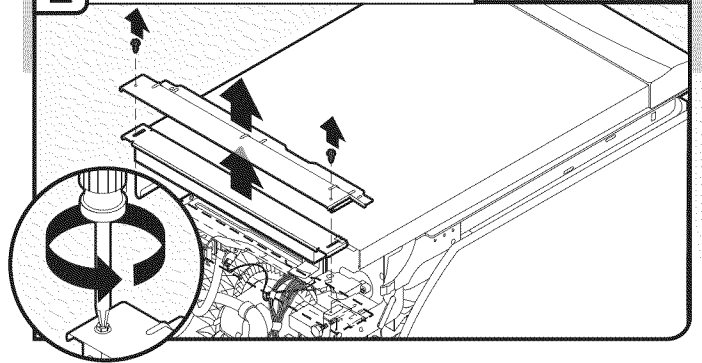
1 Placer le lave-vaisselle sur le dos



Conseil utile : Placer un carton sous le lave-vaisselle jusqu'à son installation dans l'ouverture d'encastrement du placard pour éviter d'endommager le revêtement de sol. Afin d'éviter d'érafler le panneau de porte, ne pas s'en servir comme planche de travail sans l'avoir recouvert d'une serviette au préalable.

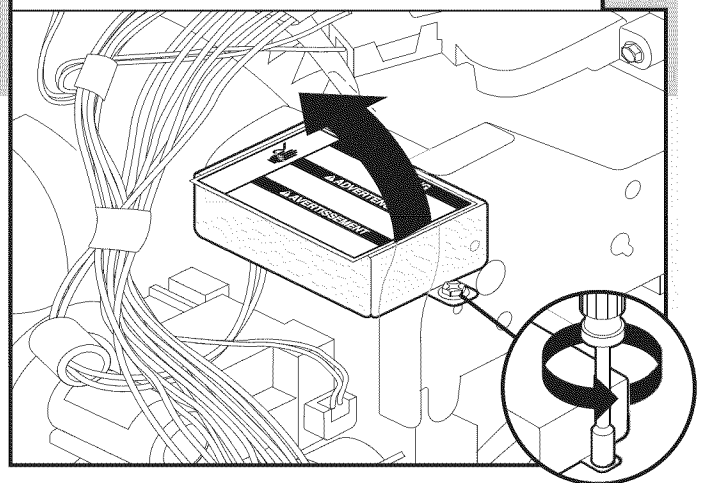
À l'aide d'au moins deux personnes, saisir les côtés du cadre de la porte du lave-vaisselle et placer le lave-vaisselle sur le dos.

2 Dépose des panneaux



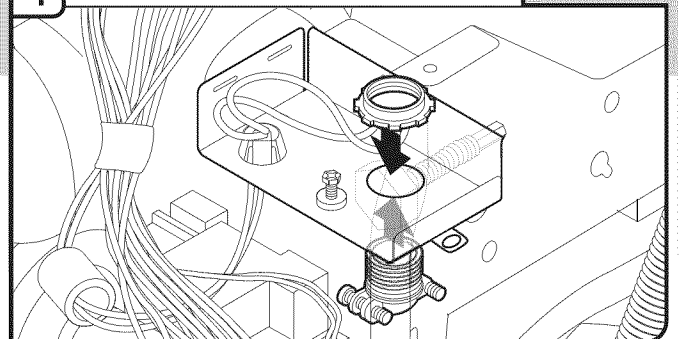
À l'aide d'une clé à douille, un tourne-écrou ou un tournevis Phillips de 1/4", ôter les deux vis fixant le panneau d'accès et le panneau inférieur au lave-vaisselle. Ne pas retirer la fiche technique du panneau d'accès.

3 Dépose du couvercle du boîtier de connexion




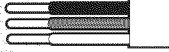
À l'aide d'une clé à douille, un tourne-écrou ou un tournevis Phillips de 1/4", ôter le couvercle du boîtier de connexion. Le conserver pour utilisation ultérieure.

4 Installation d'un serre-câble



Installer un serre-câble (homologation UL ou CSA). S'assurer que les têtes de vis soient orientées vers la gauche lors du serrage de l'écrou à conduit. Le serre-câble est fourni avec le cordon d'alimentation.

Quel type de connexion l'utilisateur emploie-t-il?

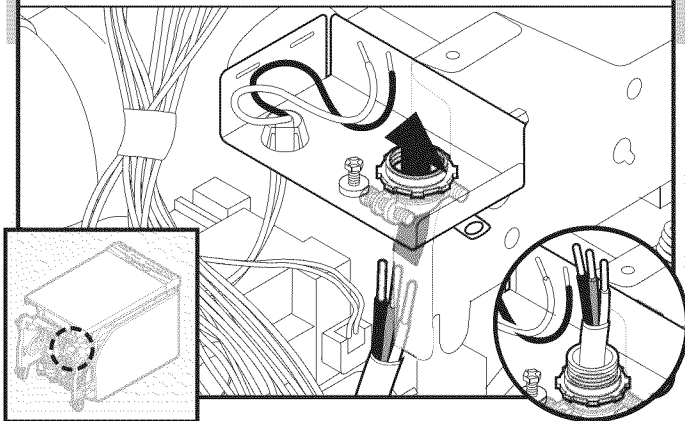
-  Cordon d'alimentation électrique :
Suivre les instructions de l'option A
-  Raccordement direct :
Suivre les instructions de l'option B

REMARQUE : Si l'on utilise l'option B, continuer jusqu'à "Évaluation de l'ouverture d'encastrement du placard" pour poursuivre l'installation du lave-vaisselle.

Raccordement du cordon d'alimentation

Option A, cordon d'alimentation :

1 Cordon d'alimentation électrique - Acheminement du cordon d'alimentation dans le boîtier de connexion



Acheminer le cordon d'alimentation de façon à ce qu'il ne touche pas la zone située entre le moteur du lave-vaisselle et la partie inférieure de la cuve du lave-vaisselle. Tirer le cordon pour l'acheminer à travers le serre-câble dans le boîtier de connexion.

Sélectionner des connecteurs de fils (homologation UL ou CSA) conçus pour le raccordement du câblage du domicile au câblage de calibre 16 du lave-vaisselle.

⚠ AVERTISSEMENT



Risque de choc électrique

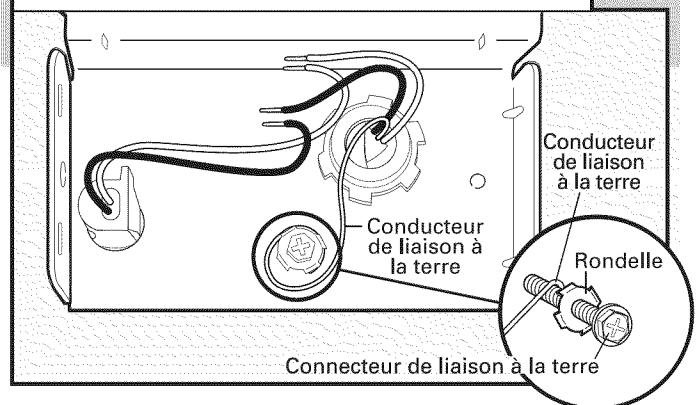
Relier le lave-vaisselle à la terre d'une méthode électrique.

Brancher le fil relié à la terre au connecteur vert relié à la terre dans la boîte de la borne.

Ne pas utiliser un câble de rallonge.

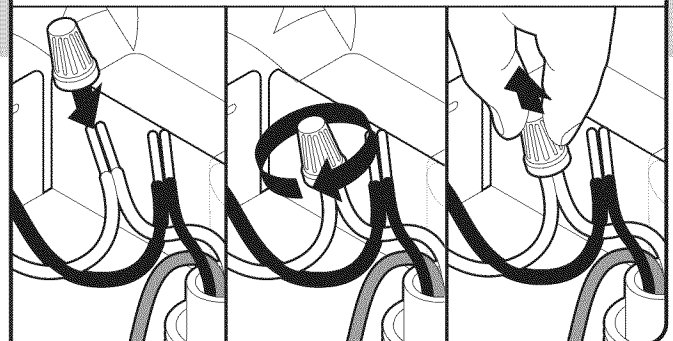
Le non-respect de ces instructions peut causer un décès, un incendie ou un choc électrique.

2 Cordon d'alimentation - Conducteur de liaison à la terre



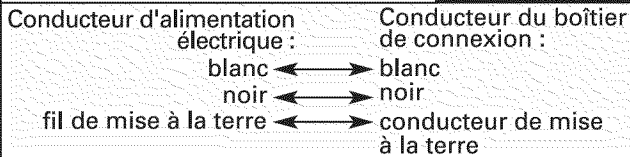
Ôter la vis verte de liaison à la terre et la placer à travers la borne en anneau de la vis verte de mise à la terre. Fixer à nouveau la vis verte et la serrer.

3 Cordon d'alimentation électrique - Raccordement des fils restants

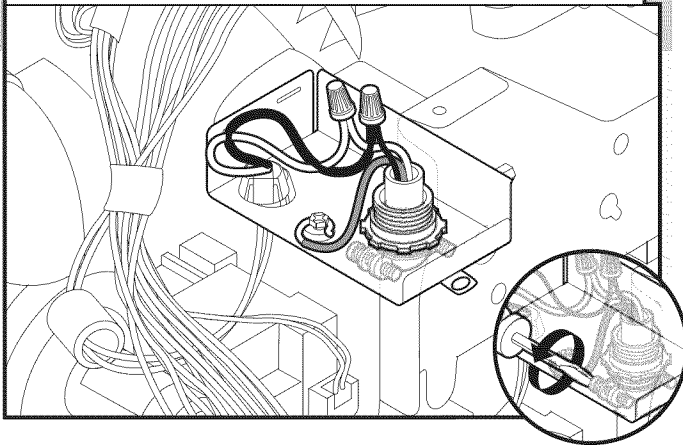


REMARQUE : Ne pas pré-torsader les brins des conducteurs. Installer le connecteur de fils en le faisant pivoter. Tirer doucement sur les conducteurs pour vérifier qu'ils sont bien fixés. Connecter le conducteur noir avec le noir et le conducteur blanc avec le blanc à l'aide des connecteurs de fils (homologation UL ou CSA).

Configuration du câblage

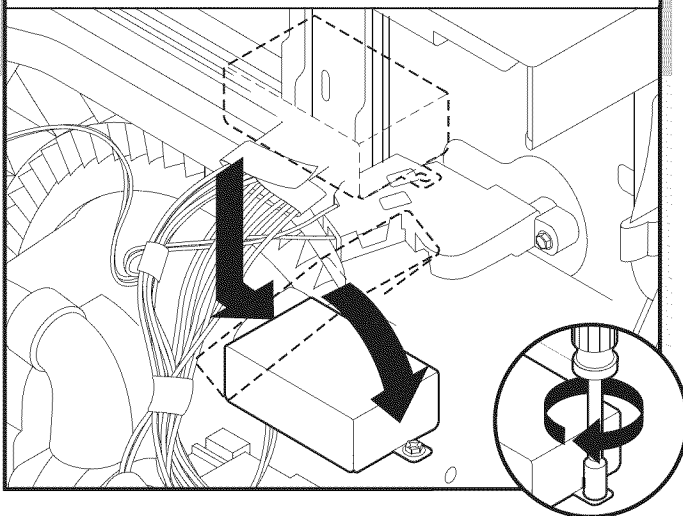


4 Cordon d'alimentation électrique - Fixation du cordon sur le serre-câble



Resserrer les vis de serre-câble pour fixer le cordon.

5 Cordon d'alimentation électrique - Réinstallation du couvercle du boîtier de connexion

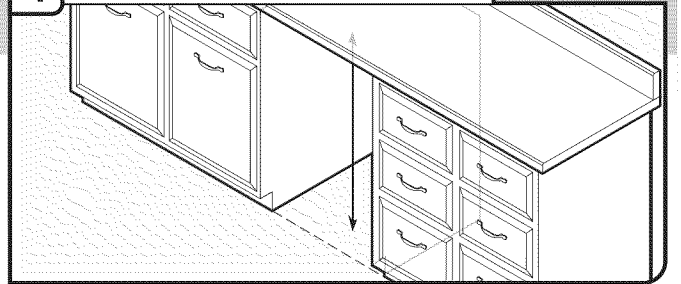


Placer les conducteurs à l'intérieur du boîtier de connexion. Insérer les languettes du côté gauche du couvercle. S'assurer que les fils sont bien logés à l'intérieur du boîtier. Fermer le couvercle tout en veillant à ne pas coincer de fils. Fixer le couvercle à l'aide d'un tourne-écrou de 1/4" et de la vis précédemment retirée.

REMARQUE : Ne pas brancher dans une prise avant que les instructions ne le spécifient.

Évaluation de l'ouverture d'encastrement du placard

1 Mesure des dimensions

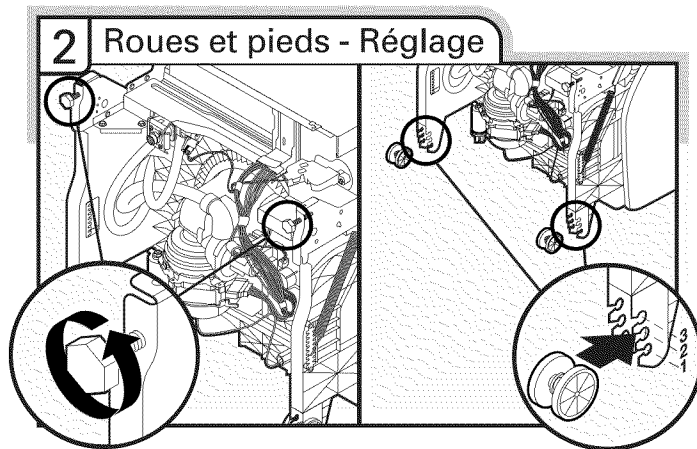


Mesurer la hauteur de l'ouverture d'encastrement du placard entre le dessous du plan de travail et le plancher, à l'emplacement d'installation du lave-vaisselle (la mesure doit être prise entre le point le plus bas depuis le dessous du plan de travail et le point le plus haut du plancher). Consulter le "Tableau de réglage de la hauteur du lave-vaisselle" pour la position des roulettes et le nombre de tours nécessaires.

Tableau de réglage - Hauteur du lave-vaisselle

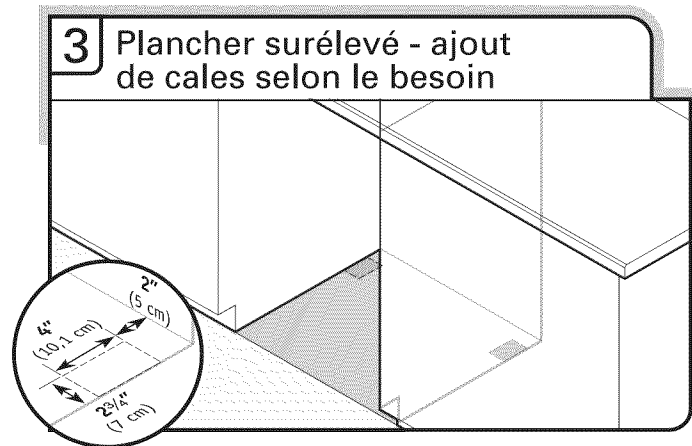
Hauteur de la cavité	Position des roues	Pieds avant - nombre de rotations
33 ⁷ / ₈ " (86 cm)	Enlevées	Vissage complet vers le haut
34" (86,4 cm)	1	10
34 ¹ / ₄ " (87 cm)	2	5
34 ¹ / ₂ " (87,6 cm)	3	0

REMARQUE : Si la hauteur libre minimale de l'ouverture d'encastrement du placard est inférieure à 34" (86,4 cm), on peut enlever les roulettes arrière pour obtenir un dégagement supplémentaire. On pourra ainsi installer le lave-vaisselle dans une ouverture d'encastrement du placard d'une hauteur de 33⁷/₈" (86 cm), mais il sera plus difficile de déplacer le lave-vaisselle. (Les mesures ne sont pas exactes. Les roulettes et les pieds sont pré-réglés à l'usine pour une hauteur de 34¹/₂" [87,6 cm].)



Ajuster (vissage) les deux pieds de réglage de l'aplomb à la même hauteur. Placer les roues à la position nécessaire selon les indications du "Tableau de réglage - Hauteur du lave-vaisselle".

Pour modifier la position des roues, utiliser un tournevis à lame plate pour enlever la roue; réinstaller la roue à la nouvelle position choisie (emboîtement).



Planchers surélevés (la hauteur du plancher de la cuisine est supérieure à celle de l'ouverture d'encastrement du placard). Par exemple : Le carrelage du plancher de la cuisine n'arrive pas jusque dans l'ouverture du placard. Ajouter des cales selon le besoin dans la zone indiquée pour placer le lave-vaisselle à une hauteur maximale de 34" (86,4 cm) sous le plan de travail.

REMARQUE : Pour éviter tout déplacement des cales durant le fonctionnement du lave-vaisselle, les cales doivent être solidement fixées au plancher.

Choix de l'option de fixation

⚠ AVERTISSEMENT

Risque du poids excessif

Utiliser deux personnes ou plus pour déplacer et installer le lave-vaisselle.

Le non-respect de cette instruction peut causer une blessure au dos ou d'autre blessure.

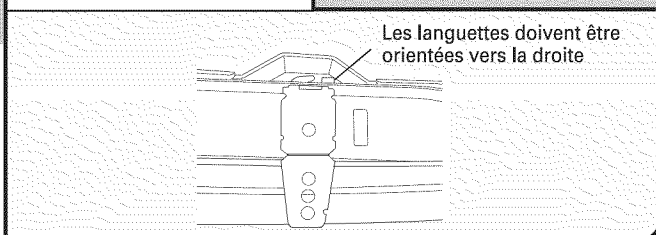
À l'aide d'au moins 2 personnes, mettre le lave-vaisselle en position verticale.

IMPORTANT : Le lave-vaisselle doit être fixé au placard. On trouvera deux supports dans le sachet de pièces. Fixer les supports au sommet du lave-vaisselle si le plan de travail est en bois, en revêtement stratifié ou autre matériau similaire. Si le plan de travail est en marbre, en granit ou autre matériau solide, effectuer l'installation en suivant l'option n° 2 ou 3.

Option 1, Fixation au plan de travail

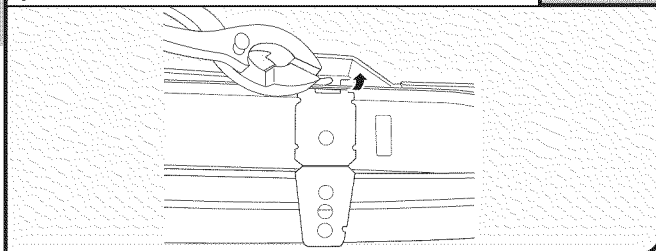
- Sortir les brides de l'emballage et les placer dans les fentes ouvertes sur le côté droit et gauche du haut du collet du lave-vaisselle tel qu'illustré.

Insertion de la bride



- Insérer la bride dans l'encoche du collet. À l'aide d'une pince, replier la languette vers le bas pour fixer la bride. Répéter cette étape pour l'autre côté.

Rabattre la languette - Fixation par le dessus



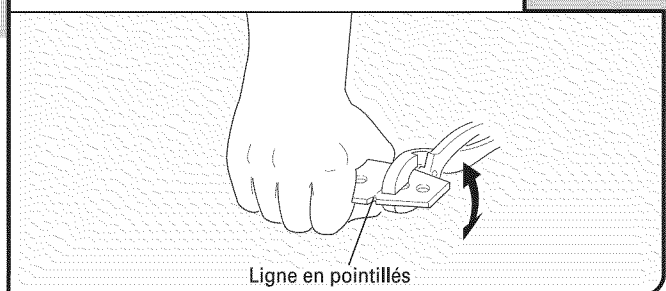
REMARQUE : Ne pas fixer le lave-vaisselle. Ceci sera fait ultérieurement.

Option 2, Fixation latérale - Lave-vaisselle avec cuve en acier inoxydable

Plans de travail en marbre, granit ou autre surface dure

1. Retirer les brides du sachet de pièces.
2. Briser l'extrémité de la bride le long des pointillés.

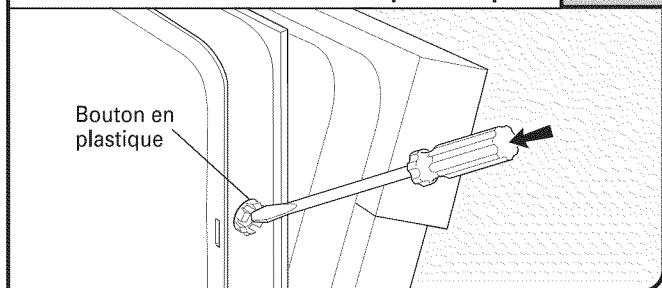
Sectionnement de l'extrémité de la bride



3. Avec l'aide d'une autre personne pour maintenir l'arrière du lave-vaisselle et l'empêcher de basculer, ouvrir la porte du lave-vaisselle et placer une serviette sur la pompe et le bras d'aspersion du lave-vaisselle. Ceci empêchera les vis de tomber dans la pompe lors de la fixation du lave-vaisselle au placard.
4. Pousser sur les boutons en plastique pour les extraire du côté de la cuve.

REMARQUE : Conserver les boutons à part pour recouvrir les trous une fois le lave-vaisselle installé.

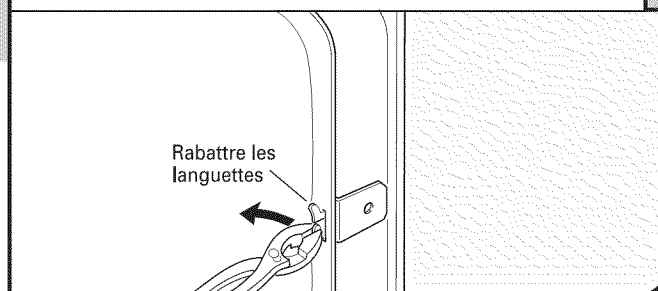
Sortir des boutons en plastique



5. Enfoncer la bride dans la fente sur le côté du lave-vaisselle et replier la languette vers le côté du lave-vaisselle pour maintenir la bride en place.

REMARQUE : Ne pas fixer le lave-vaisselle. Ceci sera fait ultérieurement.

Installation de la bride - fixation latérale



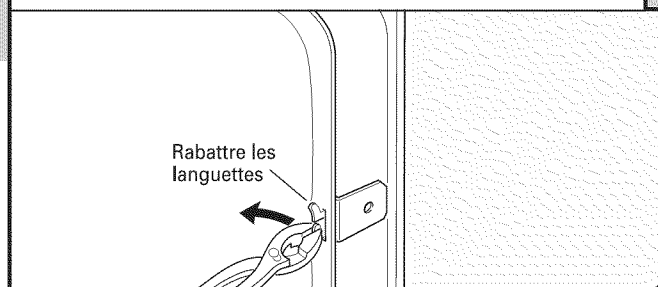
Option 3, Fixation latérale - Lave-vaisselle avec cuve en plastique

Plans de travail en marbre, granit ou autre surface dure

1. Retirer les brides du sachet de pièces.
2. Enfoncer la bride dans la fente sur le côté du lave-vaisselle et replier la languette vers le côté du lave-vaisselle pour maintenir la bride en place.

REMARQUE : Ne pas fixer le lave-vaisselle. Ceci sera fait ultérieurement.

Installation de la bride - fixation latérale



Insertion du lave-vaisselle dans l'ouverture d'encastrement du placard

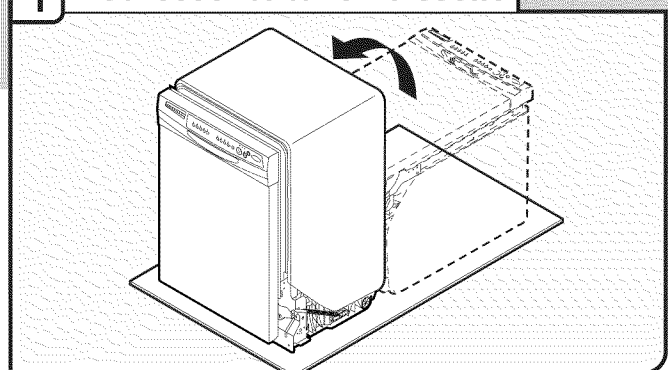
AVERTISSEMENT

Risque du poids excessif

Utiliser deux personnes ou plus pour déplacer et installer le lave-vaisselle.

Le non-respect de cette instruction peut causer une blessure au dos ou d'autre blessure.

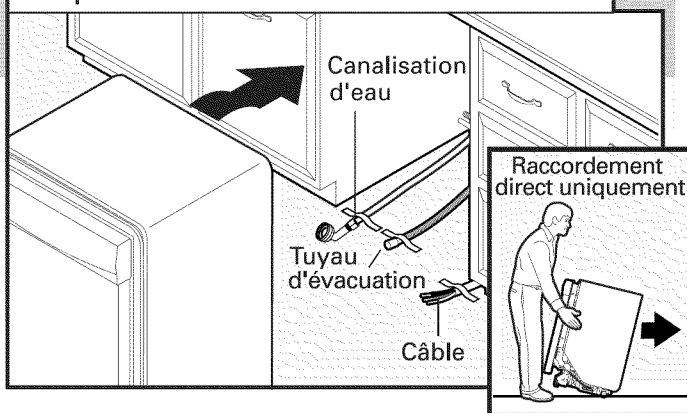
1 Redresser le lave-vaisselle



À l'aide d'au moins deux personnes, mettre le lave-vaisselle en position verticale.

REMARQUE : Ne pas installer le garde-pieds avant que les instructions ne le spécifient.

2 Déplacement du lave-vaisselle à proximité de l'ouverture

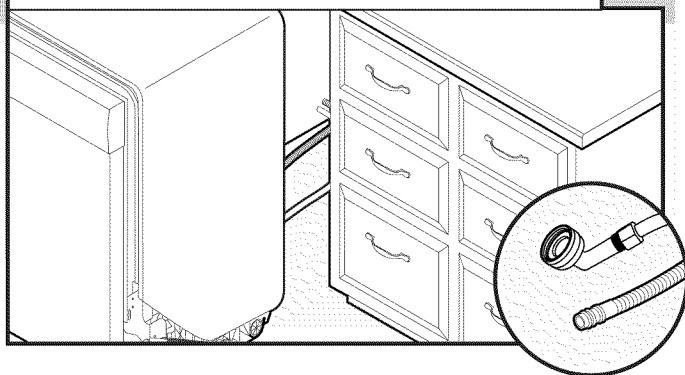


IMPORTANT : Vérifier que le câblage est installé au bon endroit. Saisir les côtés du lave-vaisselle par les rebords du panneau de porte. Incliner le lave-vaisselle vers l'arrière sur ses roulettes et approcher l'appareil de l'ouverture dans le placard.

REMARQUE : Ne pas pousser sur l'avant du panneau ou sur la console. Ceci pourrait laisser des indentations sur le panneau ou la console.

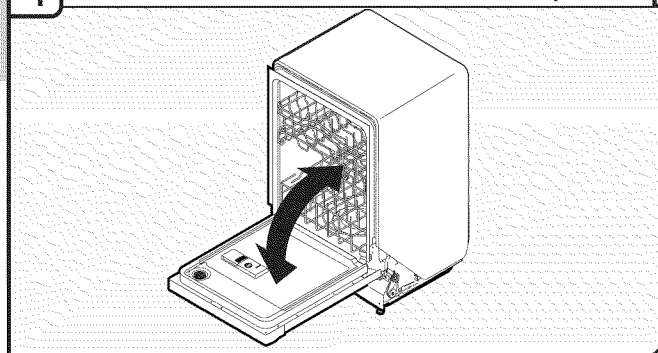
Conseil utile : Fixer temporairement le câblage au plancher avec du ruban adhésif aux emplacements indiqués pour l'empêcher de bouger lors de l'insertion du lave-vaisselle dans l'ouverture du placard.

3 Vérification de la position de la canalisation d'eau et du tuyau d'évacuation



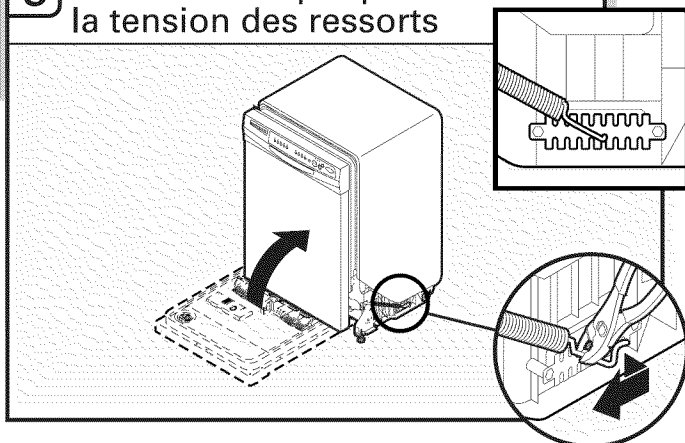
Vérifier que la canalisation d'eau se trouve sur le côté gauche de l'ouverture du placard, et que le tuyau d'évacuation se trouve près du centre de l'ouverture du placard.

4 Ouverture et fermeture de la porte



Alors qu'une autre personne retient l'appareil pour l'empêcher de basculer, ouvrir et refermer la porte plusieurs fois. Si la porte se ferme ou s'ouvre sous l'effet de son propre poids, il sera nécessaire d'ajuster la tension du ressort de la porte.

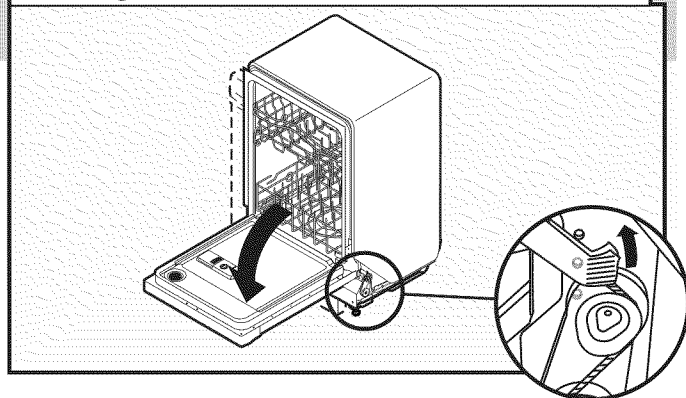
5 Fermeture trop rapide – Réduire la tension des ressorts



Si la porte se ferme trop rapidement, réduire la tension des ressorts : déplacer le point d'ancrage de l'extrémité du ressort vers l'avant du lave-vaisselle.

REMARQUE : Utiliser le même point d'ancrage (encoche) pour chaque ressort (côté gauche et côté droit).

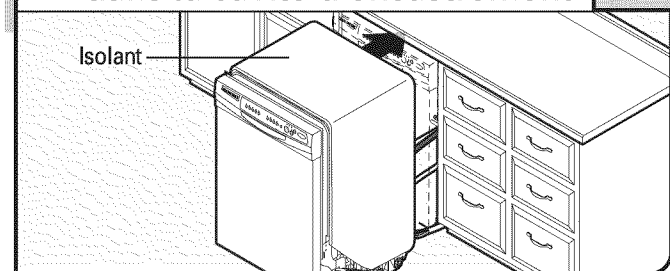
6 La porte s'ouvre et retombe - Augmentation de la tension du ressort



Lorsque la porte s'ouvre d'elle-même, augmenter la tension du tendeur en déplaçant l'extrémité du ressort vers l'arrière du lave-vaisselle.

REMARQUE : Utiliser le même point d'ancrage (encoche) pour chaque ressort (côté gauche et côté droit).

7 Insertion du lave-vaisselle dans la cavité d'encastrement



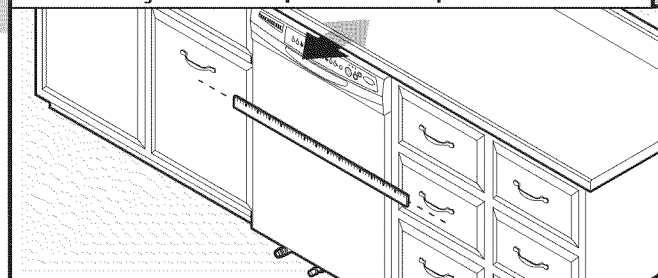
IMPORTANT : Si l'on enlève les roulettes, éviter d'endommager le plancher lors des déplacements du lave-vaisselle. Insérer lentement et complètement le lave-vaisselle dans l'ouverture d'encastrement du placard. Veiller à ne pas coincer ou déformer la canalisation de cuivre, le tuyau d'évacuation, le cordon d'alimentation ou le câble de raccordement direct entre le lave-vaisselle et le placard. Enlever le carton placé sous le lave-vaisselle.

REMARQUES :

- Le fait qu'il n'y ait que peu d'espace entre le lave-vaisselle et l'ouverture d'encastrement du placard ne pose pas de problème. Ne pas enlever la plaque d'insonorisation – celle-ci réduit le niveau sonore.

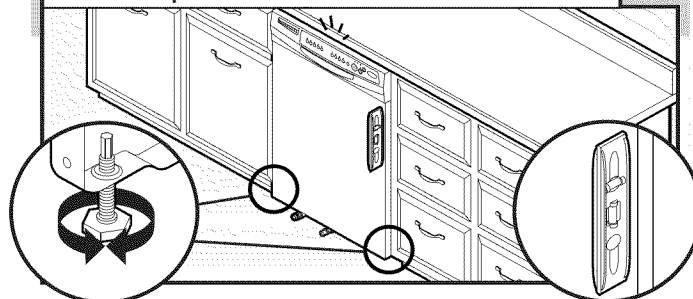
- En cas d'utilisation d'un cordon d'alimentation, veiller à acheminer l'extrémité de celui-ci dans le trou de l'ouverture découpée avant d'insérer le lave-vaisselle dans l'ouverture du placard.

8 Aligner l'avant du lave-vaisselle avec la façade des portes de placards



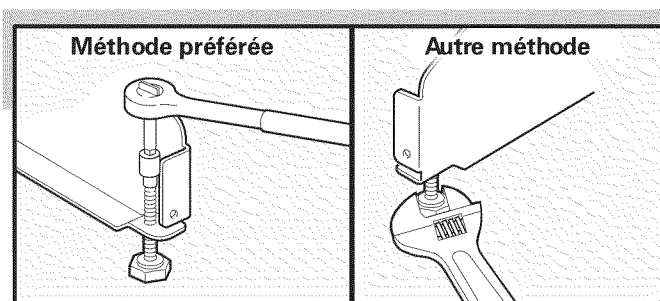
Aligner l'avant du panneau de porte du lave-vaisselle avec les portes des placards. Il faudra peut-être ajuster l'alignement de celui-ci pour qu'il soit en affleurement avec les placards.

9 Contrôle de l'aplomb du réglage des pieds si nécessaire

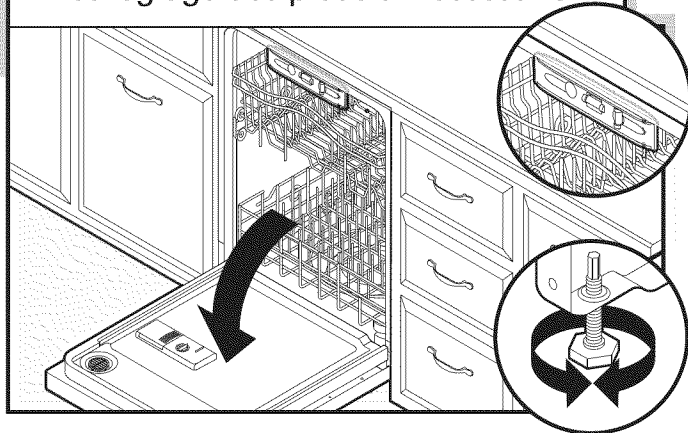


Vérifier que chaque pied de réglage de l'aplomb est fermement en appui sur le sol. Fermer et verrouiller la porte; placer un niveau, contre le panneau avant. Vérifier que le lave-vaisselle est centré de l'avant vers l'arrière dans l'ouverture. Si nécessaire, régler le pied de nivellement jusqu'à ce que le lave-vaisselle soit d'aplomb. Répéter ces opérations pour l'autre côté du lave-vaisselle.

Conseil utile : Pousser contre l'avant du lave-vaisselle pour le soulever et pouvoir ajuster les pieds avant. Pour certaines installations, il peut être plus facile de régler le pied avant à l'aide d'une clé à douille hexagonale ou une clé à molette de $\frac{3}{16}$ ".



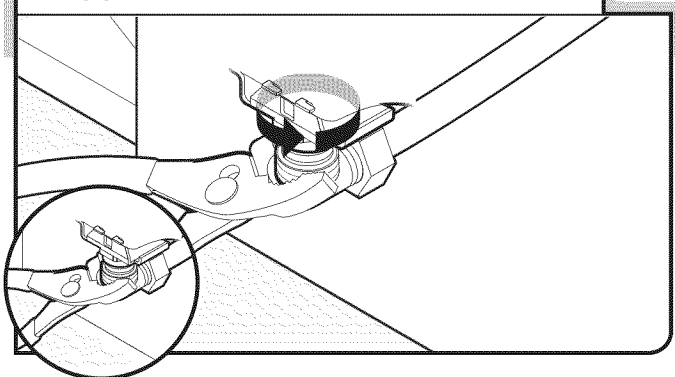
10 Vérification de l'aplomb transversal et réglage des pieds si nécessaire



Placer le niveau contre la partie supérieure de l'ouverture avant de la cuve. Vérifier l'aplomb transversal de l'appareil. Si le lave-vaisselle n'est pas d'aplomb, régler la hauteur des pieds avant vers le haut ou vers le bas jusqu'à ce que le lave-vaisselle soit d'aplomb.

Raccordement à l'alimentation en eau

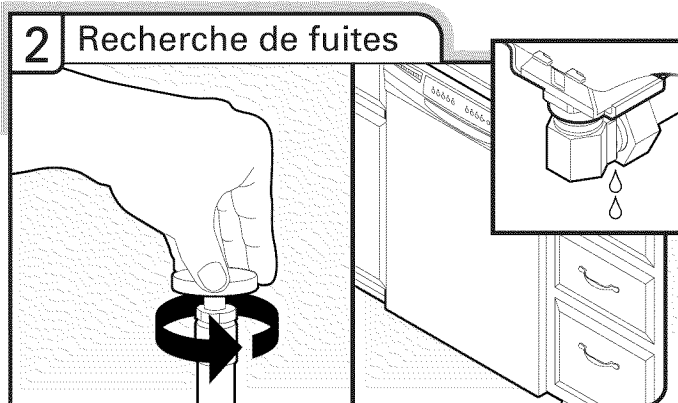
1 Raccordement du raccord coudé de 90° à la valve



S'assurer que la rondelle de caoutchouc est correctement installée dans le raccord. Enfiler le raccord de 3/4" vers le haut jusqu'à la valve et serrer à la main afin d'éviter de fausser le filetage. Serrer à la main jusqu'à ce que le raccord soit serré. À l'aide d'une pince, vérifier l'étanchéité du raccord. 1/4 à 1/2 tour supplémentaire peut s'avérer nécessaire pour créer l'étanchéité du joint de caoutchouc.

REMARQUE : Ne pas trop serrer. Le raccord risque d'être endommagé.

2 Recherche de fuites

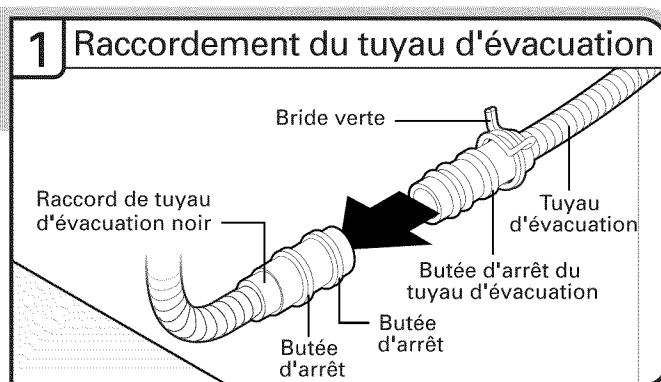


Placer une serviette de papier sous le raccord coudé de 90°. Ouvrir l'alimentation en eau et inspecter pour identifier toute fuite. Si une fuite se produit, répéter l'étape précédente.

REMARQUE : Ne pas utiliser de ruban adhésif Teflon[®] avec les raccords de compression.

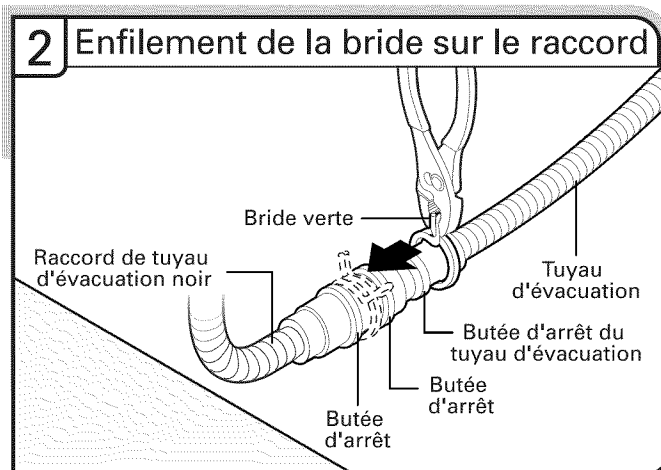
Raccordement au circuit d'évacuation

1 Raccordement du tuyau d'évacuation



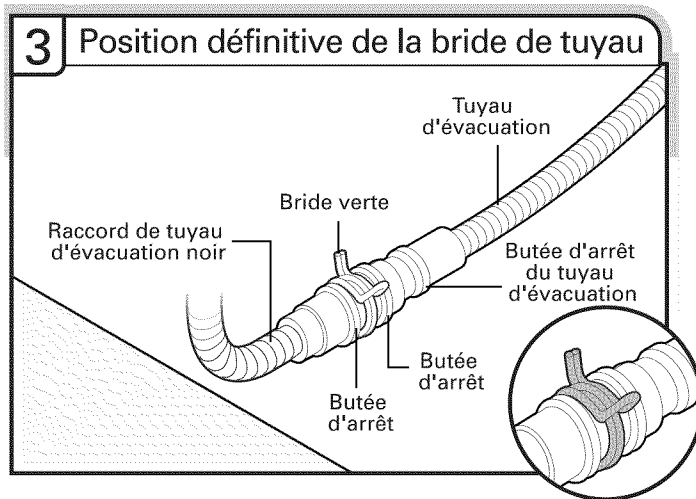
Placer une serviette sous le tuyau d'évacuation pour récupérer l'eau restée dans le tuyau d'évacuation. Placer la petite bride verte pour tuyau d'évacuation sur la petite extrémité du tuyau d'évacuation. Enfoncer le tuyau d'évacuation neuf dans le connecteur noir de tuyau d'évacuation jusqu'à la butée d'arrêt du tuyau d'évacuation.

2 Enfilement de la bride sur le raccord



†TEFLON est une marque déposée de E.I. Du Pont De Nemours et compagnie.

À l'aide d'une pince, ouvrir la petite bride de tuyau d'évacuation verte en la serrant et la glisser sur le connecteur, entre les butées.

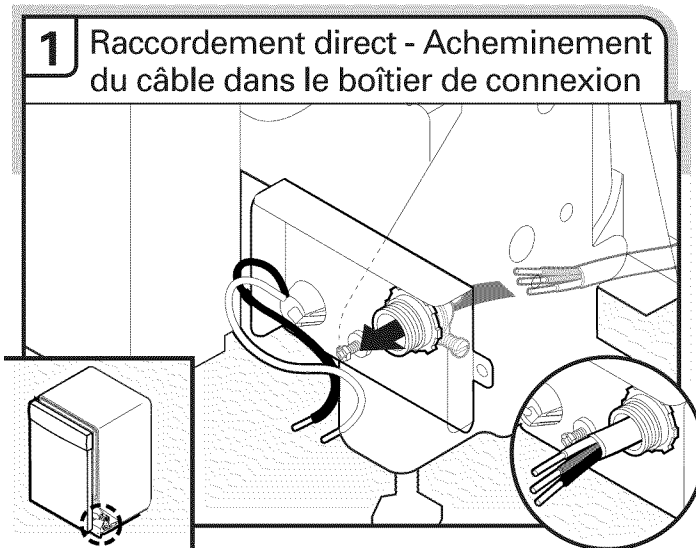


Une fois le tuyau raccordé, ôter la serviette.

Raccordement électrique direct

REMARQUE : Si le cordon d'alimentation a été raccordé précédemment, passer à la section "Fixation du lave-vaisselle dans l'ouverture d'encastrement du placard."

Option B, raccordement direct :



Acheminer le cordon d'alimentation de façon à ce qu'il ne touche ni le moteur du lave-vaisselle, ni la partie inférieure de la cuve du lave-vaisselle. Tirer le câble pour le faire passer à travers le serre-câble (homologation UL/CSA) dans le boîtier de connexion. Le serre-câble n'est pas fourni avec le lave-vaisselle. Le propriétaire doit acheter un serre-câble à vis de 7/8".

Sélectionner des connecteurs de fils (homologation UL ou CSA) (non fournis) conçus pour le raccordement du câblage du domicile au câblage de calibre 16 du lave-vaisselle.

⚠ AVERTISSEMENT



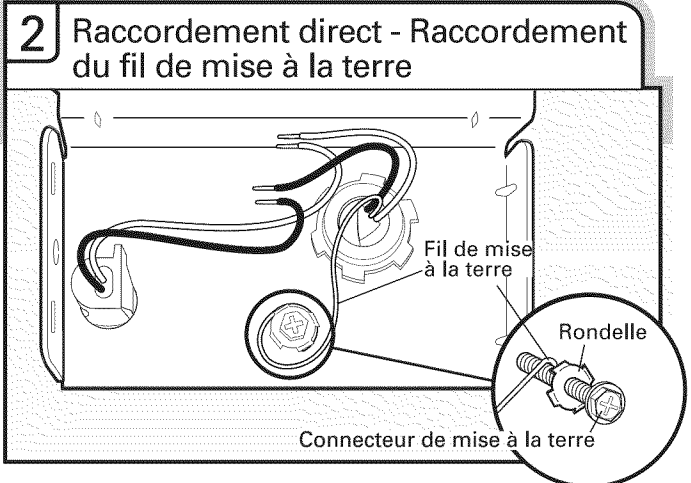
Risque de choc électrique

Relier le lave-vaisselle à la terre d'une méthode électrique.

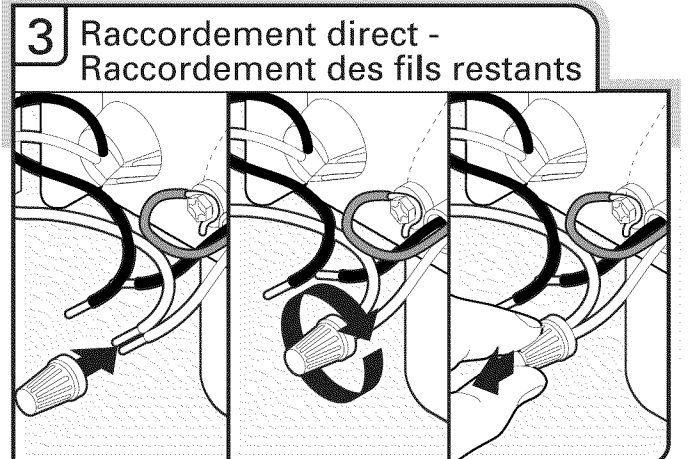
Brancher le fil relié à la terre au connecteur vert relié à la terre dans la boîte de la borne.

Ne pas utiliser un câble de rallonge.

Le non-respect de ces instructions peut causer un décès, un incendie ou un choc électrique.



Former un crochet en U avec le conducteur nu de liaison à la terre. Enrouler le crochet du conducteur de liaison à la terre sur la vis de liaison à la terre et sous la rondelle (dans le sens horaire). Serrer fermement le connecteur de liaison à la terre.

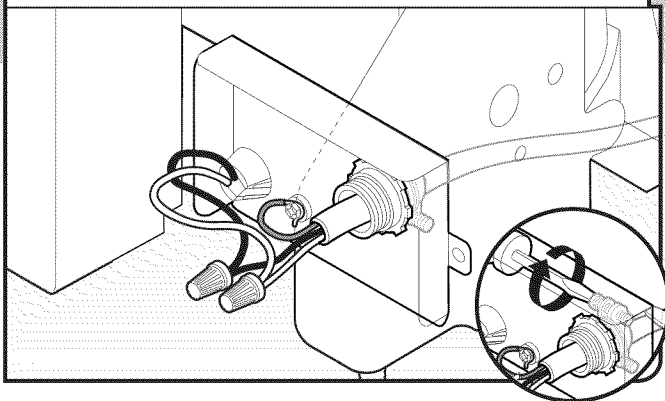


REMARQUE : Ne pas pré-torsader les brins des conducteurs. Installer un serre-câble (homologation UL ou CSA). Tirer doucement sur les conducteurs pour vérifier qu'ils sont bien fixés. Connecter le conducteur noir avec le noir et le conducteur blanc avec le blanc à l'aide des connecteurs de fils (homologation UL ou CSA) (non fournis).

Configuration du câblage

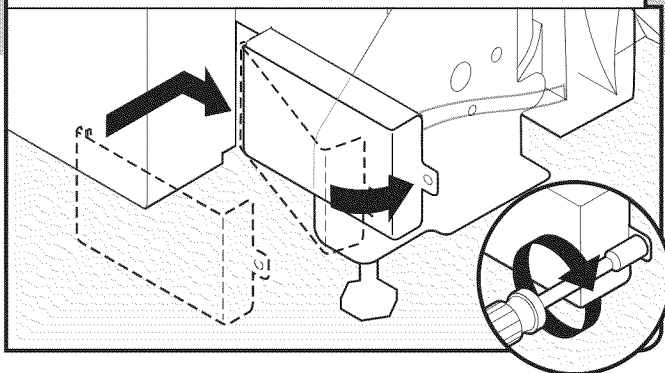
Conducteur d'alimentation électrique :	Conducteur du boîtier de connexion :
blanc	blanc
noir	noir
fil de mise à la terre	conducteur de mise à la terre

4 Raccordement direct - Fixation du câble dans le serre-câble



Resserrer les vis de serre-câble pour fixer le câble.

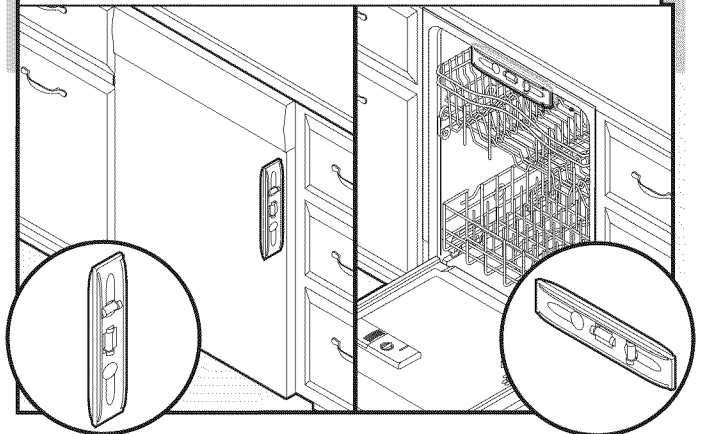
5 Raccordement direct - Réinstallation du couvercle du boîtier de connexion



Placer les conducteurs à l'intérieur du boîtier de connexion. Insérer les languettes du côté gauche du couvercle. S'assurer que les fils sont bien logés à l'intérieur du boîtier. Fermer le couvercle tout en veillant à ne pas coincer de fils. Fixer le couvercle à l'aide d'un tourne-écrou de 1/4" et de la vis précédemment retirée.

Fixation du lave-vaisselle dans l'ouverture d'encastrement du placard

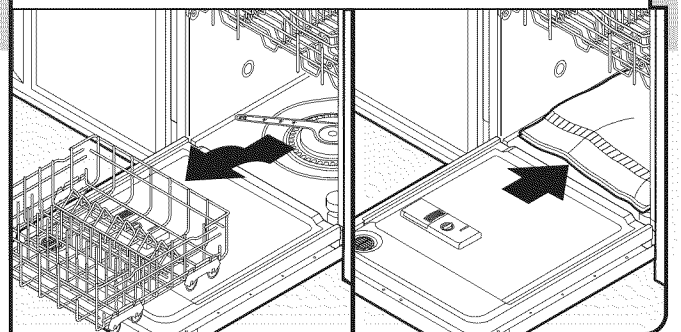
1 Vérification de l'alignement du lave-vaisselle dans l'ouverture du placard



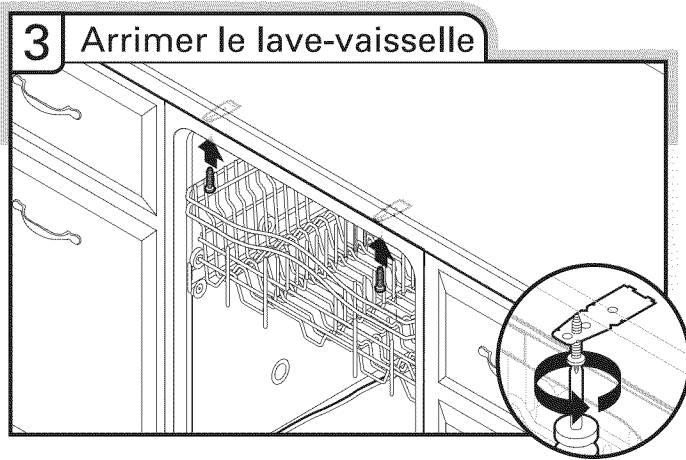
Vérifier que le lave-vaisselle est toujours d'aplomb d'avant en arrière et transversalement dans l'ouverture d'encastrement du placard.

IMPORTANT : Si le plan de travail est fait d'un matériau comme le Corian®, le granit, etc., on doit utiliser l'ensemble de montage latéral (pièce n° 8212560). Exécuter les instructions de l'ensemble (brides fournies avec l'ensemble).

2 Dépose du panier à vaisselle inférieur et installation d'une serviette

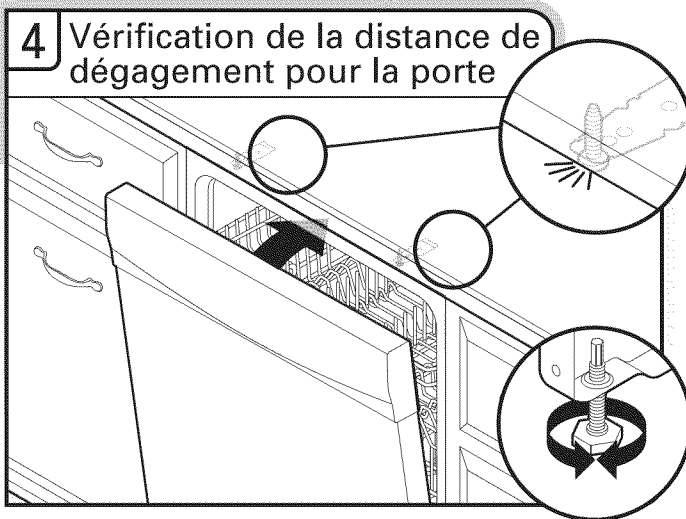


Ouvrir la porte du lave-vaisselle, ôter le panier à vaisselle inférieur et placer une serviette sur la pompe et le bras d'aspersion inférieur du lave-vaisselle. Ceci empêchera une vis qui tomberait dans la cuve d'atteindre la zone de la pompe lors de la fixation du lave-vaisselle au plan de travail.



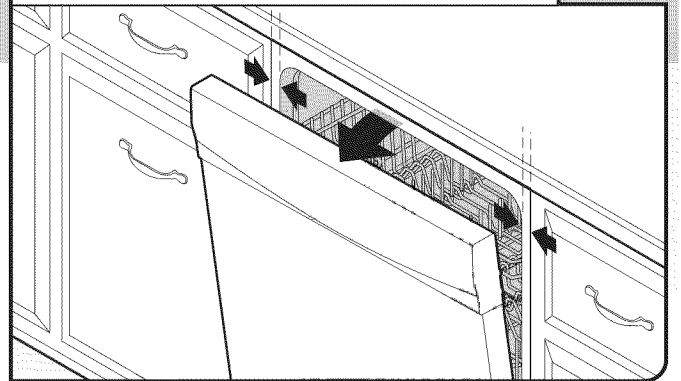
REMARQUE : Ne pas faire tomber de vis au fond du lave-vaisselle.

Localiser les brides sur le dessus du lave-vaisselle et fixer celui-ci au plan de travail à l'aide de deux vis Phillips n°10 x 1/2" (fournies). Le lave-vaisselle doit être immobilisé pour l'empêcher de basculer lors de l'ouverture de la porte.



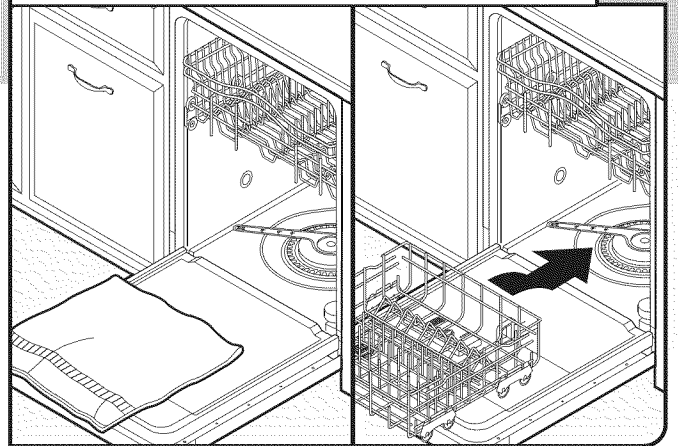
Vérifier qu'il n'y a aucun contact entre le sommet de la porte et les vis, les brides ou le plan de travail. Régler les pieds de nivellement le cas échéant.

5 Vérification de l'espace à l'intérieur



Ouvrir la porte et vérifier que la distance entre l'ouverture du placard pour l'installation du lave-vaisselle et la cuve est la même des deux côtés. Si la distance n'est pas la même, desserrer les vis des brides d'arrimage et déplacer légèrement la cuve. Resserrer les vis de brides.

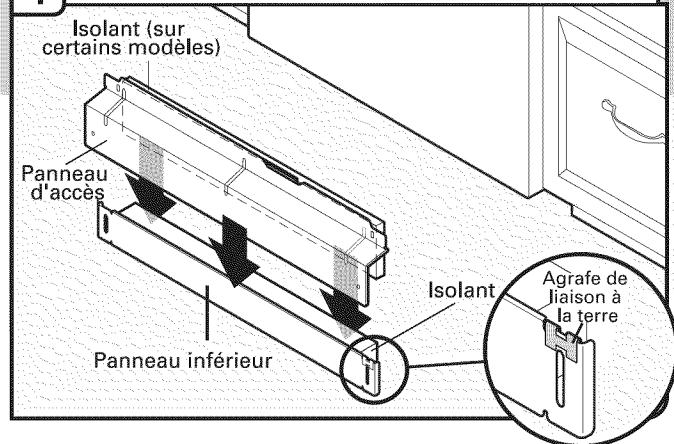
6 Réinstallation du panier inférieur (retrait de la serviette)



Retirer la serviette du lave-vaisselle. Réinstaller le panier à vaisselle inférieur.

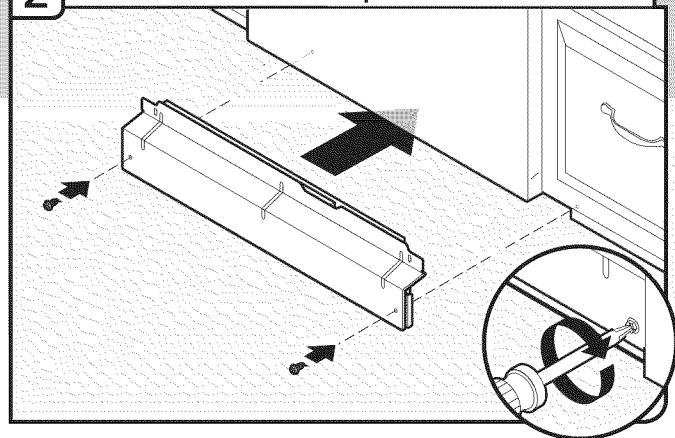
Achever l'installation

1 Réinstallation des panneaux d'accès



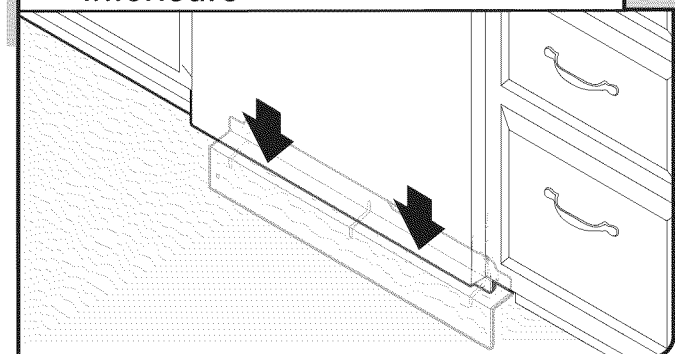
Vérifier que l'agrafe de liaison à la terre est fixée sur le panneau inférieur. Placer le panneau inférieur derrière le panneau d'accès. Sur certains modèles, il y a sur le panneau d'accès un matériau isolant qui devra être inséré derrière l'isolant du panneau inférieur.

2 Réinstallation des panneaux d'accès



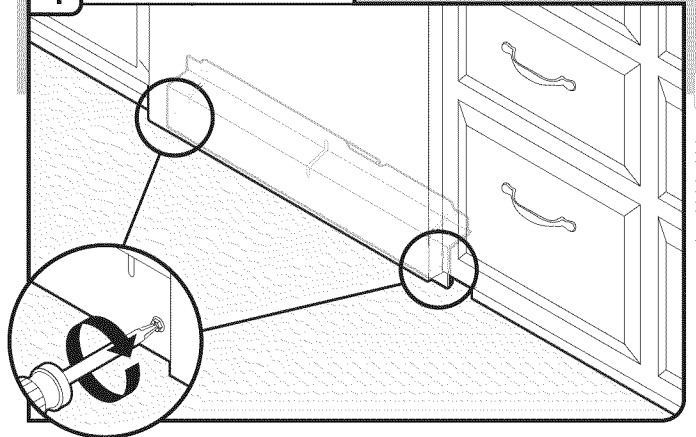
Maintenir les deux panneaux ensemble et les placer contre les pieds du lave-vaisselle. Réinstaller les vis à travers les trous du panneau d'accès et les fentes du panneau inférieur à l'aide d'un tournevis Phillips ou d'un tournevis de 1/4".

3 Inspection de la rive de panneau inférieur



Vérifier que la rive inférieure du panneau inférieur est au contact du plancher. Le réajuster au besoin.

4 Serrage des vis



Serrer les vis du panneau d'accès.

⚠ AVERTISSEMENT



Risque de choc électrique

Brancher sur une prise à 3 alvéoles reliée à la terre.

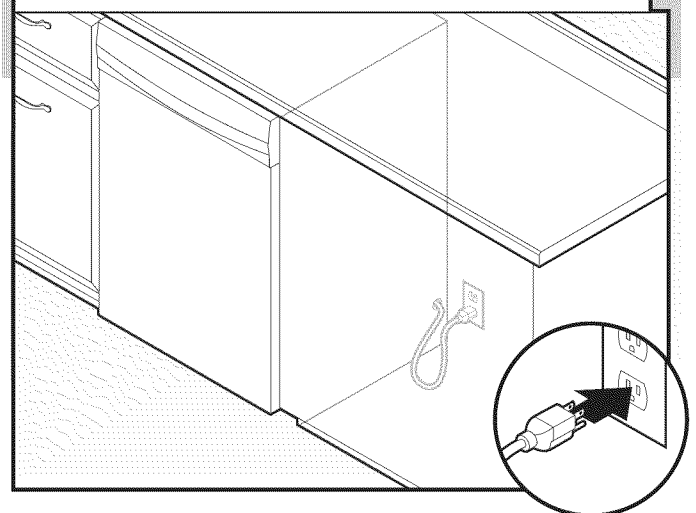
Ne pas enlever la broche de liaison à la terre.

Ne pas utiliser un adaptateur.

Ne pas utiliser un câble de rallonge.

Le non-respect de ces instructions peut causer un décès, un incendie ou un choc électrique.

1 Cordon d'alimentation électrique - Branchement dans une prise à 3 alvéoles reliée à la terre



Brancher sur une prise de courant à 3 alvéoles reliée à la terre. Vérifier l'absence de tout contact entre le cordon d'alimentation et le moteur du lave-vaisselle ou la partie inférieure de la cuve du lave-vaisselle.

Rétablir la source de courant électrique

1 Reconnexion de la source de courant électrique

Reconnecter la source de courant électrique au niveau du tableau de distribution ou du disjoncteur.

Contrôle du fonctionnement

- Lire les instructions d'utilisation du lave-vaisselle fournies avec le lave-vaisselle.
- Vérifier que toutes les pièces ont été installées et qu'aucune étape n'a été omise. Vérifier la présence de tous les outils.
- Mettre le lave-vaisselle en marche et commander l'exécution complète du programme de lavage le plus court. Après les deux premières minutes, déverrouiller la porte; attendre cinq secondes, puis ouvrir la porte. Vérifier qu'il y a bien de l'eau au fond de la cuve du lave-vaisselle. Vérifier que le lave-vaisselle fonctionne correctement.

Si ce n'est pas le cas, déconnecter la source de courant électrique ou débrancher le lave-vaisselle et voir la section "Si le lave-vaisselle ne fonctionne pas."

Si le lave-vaisselle ne fonctionne pas

Essayer d'abord les solutions suggérées ici pour éviter le coût d'une intervention de dépannage.

- Disjoncteur ouvert ou fusible grillé?
- Porte bien fermée et verrouillée?
- Sélection correcte du programme pour le démarrage du lave-vaisselle?
- Arrivée d'eau ouverte?

Si aucune de ces vérifications ne résout le problème, composer le 1-800-4-MY-HOME®.

Conseils supplémentaires

Félicitations pour l'achat de votre lave-vaisselle éconergique à faible consommation d'eau! Pour nettoyer les articles, ce lave-vaisselle asperge la vaisselle d'eau puis fait une pause pour permettre au détergent d'imprégner et de dissoudre les saletés. Les périodes de trempage et de pause prolongent la durée des programmes pour un nettoyage exceptionnel. Les modèles équipés de SmartWash®^{HE} comportent également un capteur optique d'eau. Le capteur optique d'eau détermine le niveau de consommation d'eau et d'énergie optimal pour un meilleur nettoyage. Le calibrage du capteur optique entraînera l'allongement du premier programme qui l'utilise.

L'agent de rinçage est essentiel pour un séchage satisfaisant : Afin d'obtenir un bon séchage et pour limiter l'accumulation de dépôts d'eau dure, ce lave-vaisselle est conçu pour être utilisé avec un agent de rinçage. Les lave-vaisselle éco-énergétiques consomment moins d'eau et d'énergie. Ils dépendent donc de l'effet "nappe d'eau" d'un agent de rinçage pour fournir un bon séchage.

Il est possible que le témoin lumineux Start/Resume (mise en marche/reprise) clignote : Lorsque l'on appuie sur Start/Resume, (mise en marche/reprise), veiller à fermer la porte dans les 3 secondes qui suivent. Si l'on ne ferme pas la porte dans les 3 secondes qui suivent, le témoin lumineux Start/Resume (mise en marche/reprise) continue de clignoter jusqu'à ce que l'on appuie à nouveau dessus. (Cette opération est également nécessaire lors de l'ajout d'un plat au cours d'un programme).

REMARQUE : Si l'on utilise un tuyau d'alimentation tressé, remplacer le tuyau d'alimentation après 5 ans d'utilisation pour réduire le risque de défaillance du tuyau. Inscire la date d'installation ou de remplacement du tuyau sur celui-ci, pour référence ultérieure.

W10300754A

© 2011 Sears Brands, LLC

© Registered Trademark / TM Trademark of KCD IP, LLC in the United States, or Sears Brands, LLC in other countries
© Marca registrada / TM Marca de comercio de KCD IP, LLC en Estados Unidos, o Sears Brands, LLC en otros países
^{MC} Marque de commerce / ^{MD} Marque déposée de Sears Brands, LLC

4/11

Printed in U.S.A.
Impreso en EE.UU.
Imprimé aux É.-U.