

Installation Instructions

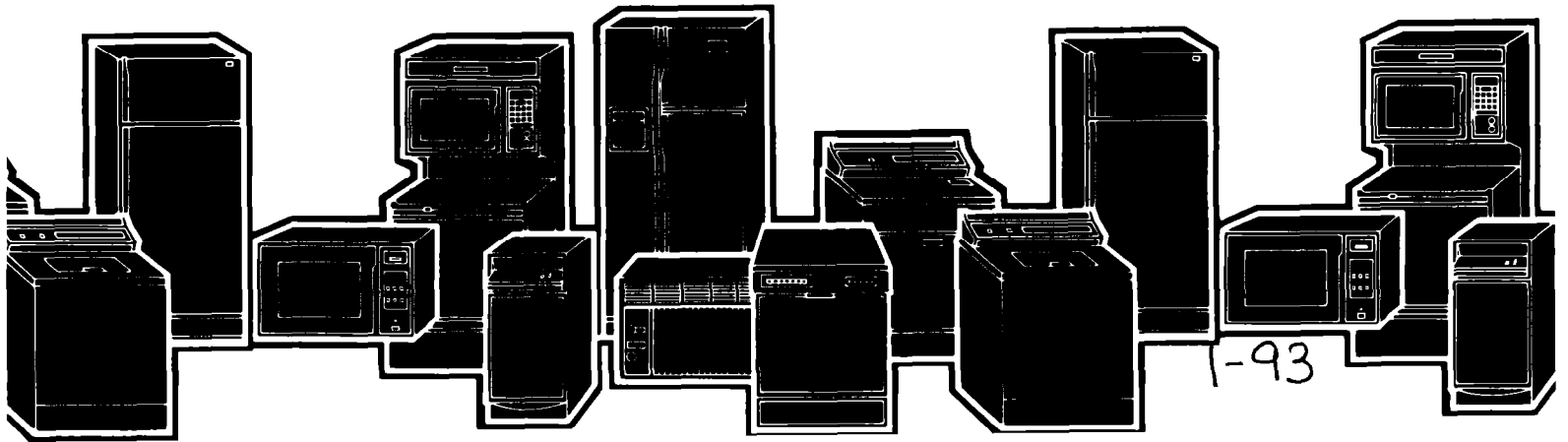


Whirlpool



**GAS
DOWN DRAFT
SURFACE UNIT**

ens, Compactors, Room Air Conditioners, Dehumidifiers, Automatic Washers, Clothes Dryers, Freezers, Refrigerator-Freezers, Ice Makers, Dishwash



1-93

INSTALLER: LEAVE THESE INSTRUCTIONS WITH THE HOMEOWNER.
HOMEOWNER: RETAIN THESE INSTRUCTIONS FOR FUTURE REFERENCE.

Read the following instructions completely and carefully. If followed, they will simplify the installation job.

IMPORTANT:

Observe all governing codes and ordinances. Failure to follow these instructions could lead to fire or electrical shock hazard.

FOR YOUR SAFETY. . .
IF YOU SMELL GAS:
1. OPEN WINDOWS.
2. DON'T TOUCH ELECTRICAL SWITCHES.
3. EXTINGUISH ANY OPEN FLAME.
4. IMMEDIATELY CALL YOUR GAS SUPPLIER.

FOR YOUR SAFETY. . .
DO NOT STORE OR USE GASOLINE OR OTHER FLAMMABLE VAPORS AND LIQUIDS IN THE VICINITY OF THIS OR ANY OTHER APPLIANCE.

INSTALLATION REQUIREMENTS

This installation must conform with the American National Standard, National Fuel Gas Code ANSI Z223.1-latest edition and local codes and ordinances.

NOTE: This appliance is NOT APPROVED FOR USE IN MOBILE HOMES.

Input ratings shown on the rating plate (serial tag) are for elevations up to 2,000 feet. For elevations above 2,000 feet, ratings should be reduced at a rate of 4% for each 1,000 feet above sea level.

PROPER GAS SUPPLY

1. Provide a gas supply line to the unit location. We suggest using a 3/4" rigid pipe, as smaller size pipe on long runs may result in the gas supply not being sufficient. Pipe joint compounds resistant to the action of LP gas must be used.
2. The supply line must be equipped with a shutoff valve. this valve should always be located in the same room as the surface unit and should be in a location that allows ease of opening and closing. Do not block access to the shutoff valve.
3. If local codes permit, it is recommended that flexible metal tubing design-certified by the American Gas Association, be used for connecting the appliance to the gas supply line. (The gas regulator connection will accept a 1/2" male pipe thread.)
4. If rigid pipe is used as a gas supply line, a combination of pipe fittings must be used to obtain an in-line connection to the unit.

WIRING DIAGRAM LOCATION:

A wiring diagram for the unit is included in the literature Package and a copy is also located at the front of the control cavity (below the control mounting plate).

WARNING:

Electrical Grounding Instructions:

This appliance is equipped with a three-prong (grounding) plug for your protection against shock hazard and should be plugged directly into a properly grounded three-prong receptacle. Do not cut or remove the grounding prong from the plug.

ELECTRICAL REQUIREMENTS

LOCATE THE POLARIZED OUTLET IN REAR WALL BELOW UNIT, VISIBLE THROUGH CABINET DOORS BELOW UNIT. (DISCONNECT ELECTRIC SUPPLY BEFORE SERVICING).

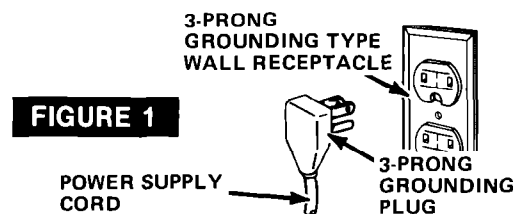
A 120-volt, 60-Hz, AC only, 15 or 20-ampere fused electrical supply is required. A time-delay fuse or circuit breaker is recommended. It is recommended that a separate circuit serving only this appliance be provided. Do Not use an extension cord.

RECOMMENDED GROUNDING METHOD

Electrical ground is required on this appliance. DO NOT, UNDER ANY CIRCUMSTANCES, CUT OR REMOVE THE POWER SUPPLY CORD GROUND PRONG.

NOTE: POWER CORD LOCATED ON RIGHT SIDE-CENTER OF UNIT.

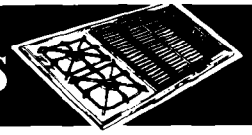
For your personal safety, electric ignition model must be grounded. This appliance is equipped with a power supply cord having a 3-prong grounding plug. To minimize possible shock hazard, the cord must be plugged into a mating 3-prong, grounding-type wall receptacle, grounded in accordance with the National Electrical Code, ANSI/NFPA 70-latest edition and local codes and ordinances. (See Figure 1.) If a mating wall receptacle is not available, it is the personal responsibility and obligation of the customer to have a properly grounded, 3-prong wall receptacle installed by a qualified electrician.



*Copies of the standard listed above may be obtained from:
AMERICAN GAS ASSOCIATION
1515 Wilson Blvd.
Arlington, VA 22209

**Copies of the standard listed above may be obtained from:
NATIONAL FIRE PROTECTION ASSOCIATION
470 Atlantic Avenue
Boston, Massachusetts 02210

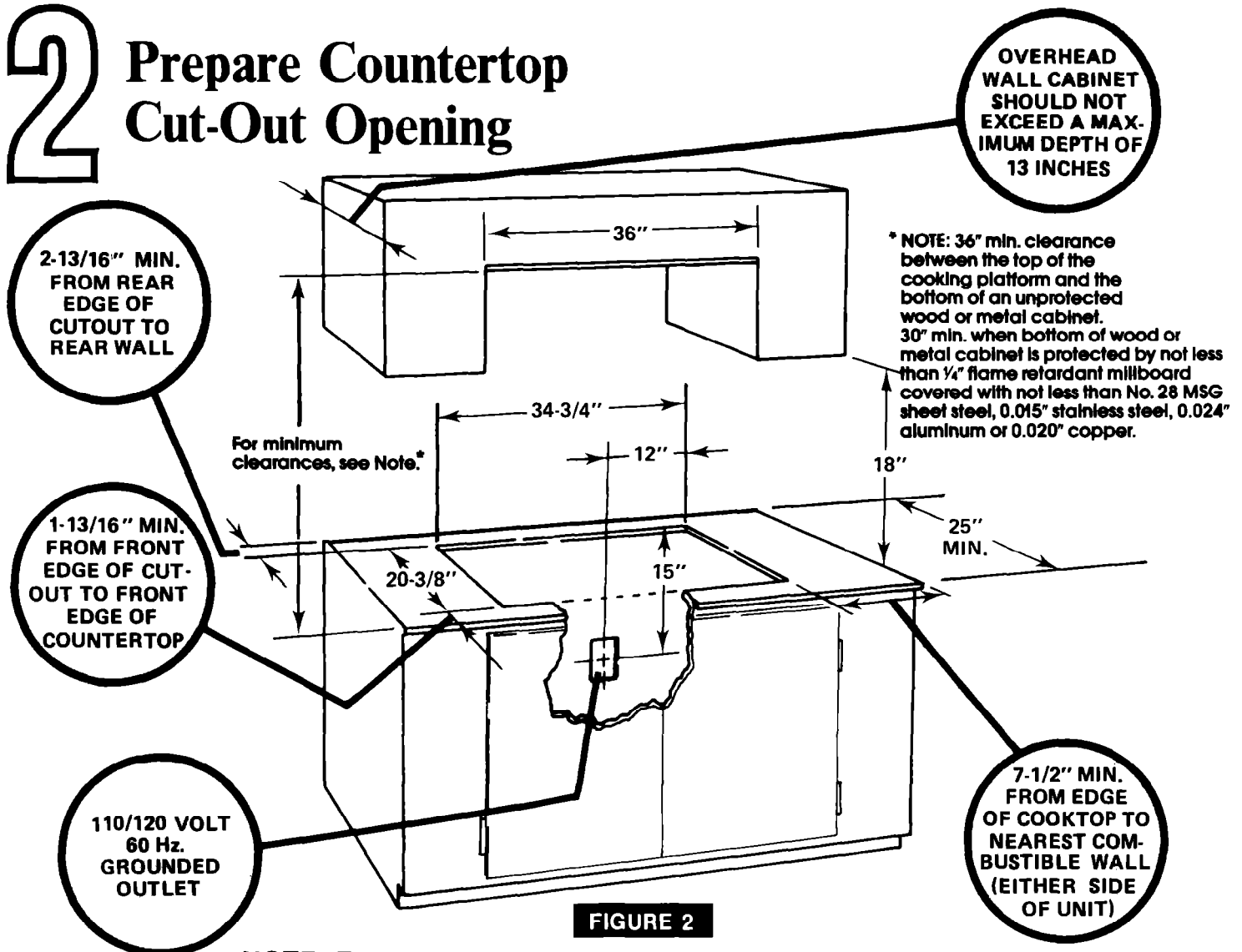
Installation Instructions



1 Unpacking Instructions

1. Remove all tape from surface unit, including tape holding filters inside unit.
2. Remove the grill and gas burner module from surface unit and put them in a safe place.
3. Save cardboard corner inserts in shipping carton for future use.

2 Prepare Countertop Cut-Out Opening



NOTE: For use in 36" cabinets, side alteration required.

3 Provide Electrical Connection

Install 110/120 Volt 60 Hz. grounded outlet following dimensions shown in Figure 2 and in Electrical Requirements on Page 2.

4 Install Ventilation System

WARNING

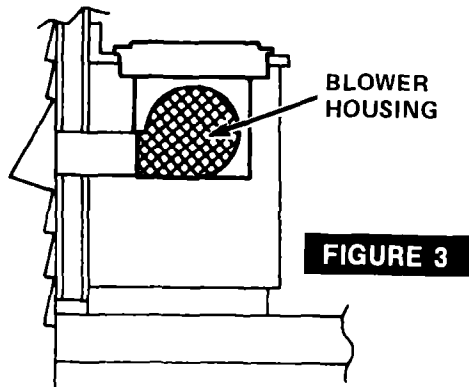
Downdraft units must always be vented to the outside. Laundry-type wall caps should never be used on the ventilation system.

NOTE: Use only 6" wall Cap-Part No. 786244 or 3 1/4" x 10" wall Cap-Part No. 786247.

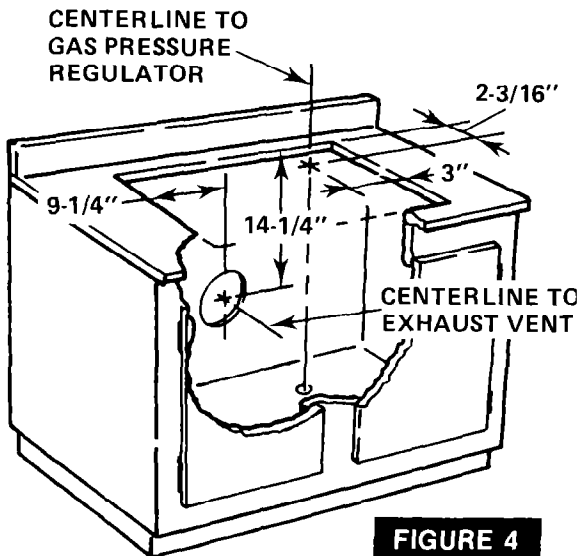
SPECIAL NOTE:

For shipping reasons, the Blower Housing will not be positioned at the proper angle for venting. To correct, simply grasp the Blower Housing and rotate it to the proper angle needed for your installation application. See Figure 3 & 5.

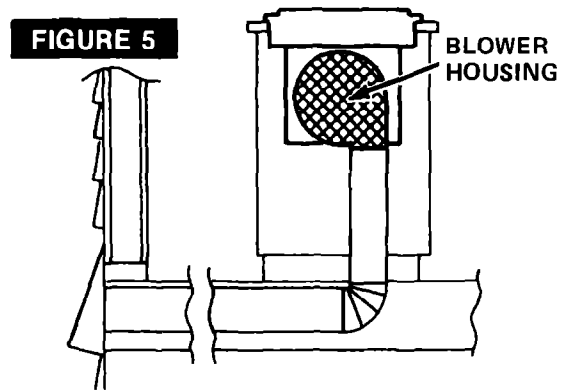
THROUGH-THE-WALL INSTALLATION
(Outside Wall Installation Shown)



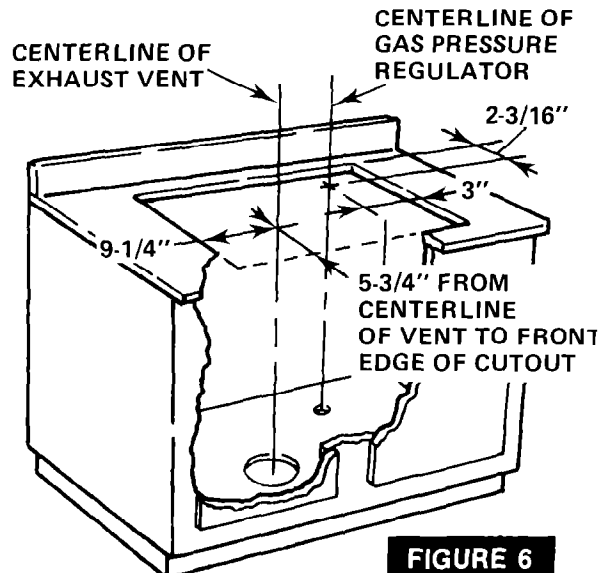
Install directly to outside following dimensions shown below.



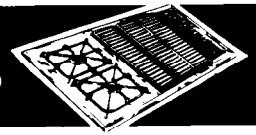
THROUGH-THE-FLOOR INSTALLATION
(Peninsula or Island Installation Shown)



Install between floor joists following dimensions shown below.

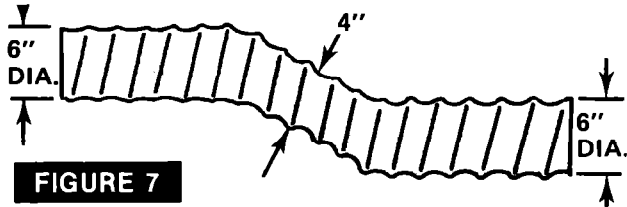


Installation Instructions



TO INSURE PROPER AIR MOVEMENT AND VELOCITY:

Flexible Ducting: Due to the irregular surface of flexible ducting, each foot of the flex duct counts as two feet of straight metal duct. Elbows made of flex ducting would count twice as much as a standard metal elbow.



Attic Venting: Never vent to either attic or crawl space. Unit must always be ducted to the outside.

Uniform Size: All ducting should be uniform throughout the complete system for proper performance.

Duct Restrictions: Never install two elbow fittings next to each other. This causes unusual air patterns and subsequently interrupts velocity and the end result is poor ventilation.

Sealing joints: All joints in the duct system must be tightly taped to avoid smoke and odor in the home. Also, be sure to caulk thoroughly all joints in floor or wall where duct system goes to the outside.

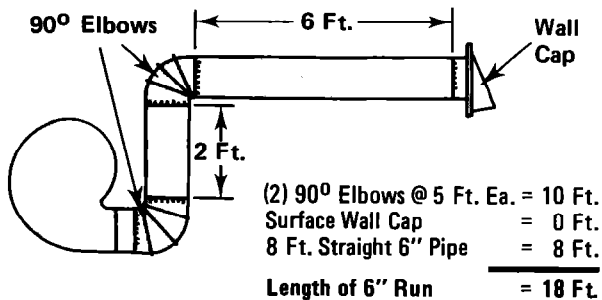
DUCT LENGTH RECOMMENDATIONS(MAXIMUM)

Use 6" or 3-1/4" x 10" duct on island or penninsula installations. For best performance, it is suggested that no more than three 90° elbows with 6" or 3-1/4" x 10" duct be used.

	6" Dia. or 3-1/4" x 10" Duct
Maximum Calculated Length:	26 feet
When using Flexible Tubing:	Count each 90° elbow as 10' duct
	Count each foot as 2' of duct

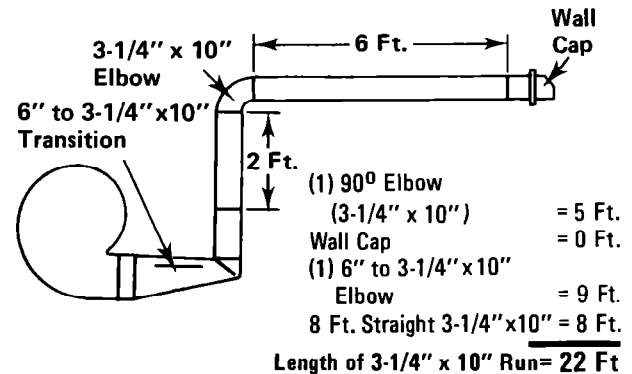
6" System Calculation

(Maximum allowable calculated length 26 feet)



3-1/4" x 10" System Calculation

(Maximum allowable calculated length 26 feet)



INDEX OF RECOMMENDED STANDARDS FITTINGS

6" Systems: Equivalent length of 6" Duct

3-1/4"x10" Systems: Equivalent length of 3-1/4"x10" Duct

 Equiv. Length 4.5 Ft.	 Equiv. Length 5 Ft.	 Equiv. Length 9 Ft.
 Equiv. Length 5 Ft.	 Equiv. Length 1 Ft.	 Equiv. Length 2.5 Ft.
 Equiv. Length 0 Ft.	 Equiv. Length 5 Ft.	 Equiv. Length 12 Ft.
 Equiv. Length 0 Ft.	 Equiv. Length 5 Ft.	 Equiv. Length 0 Ft.

Note: Never use laundry type wall caps. Recommended wall caps are Whirlpool #786244 (6") and #786247 (3-1/4" x 10")

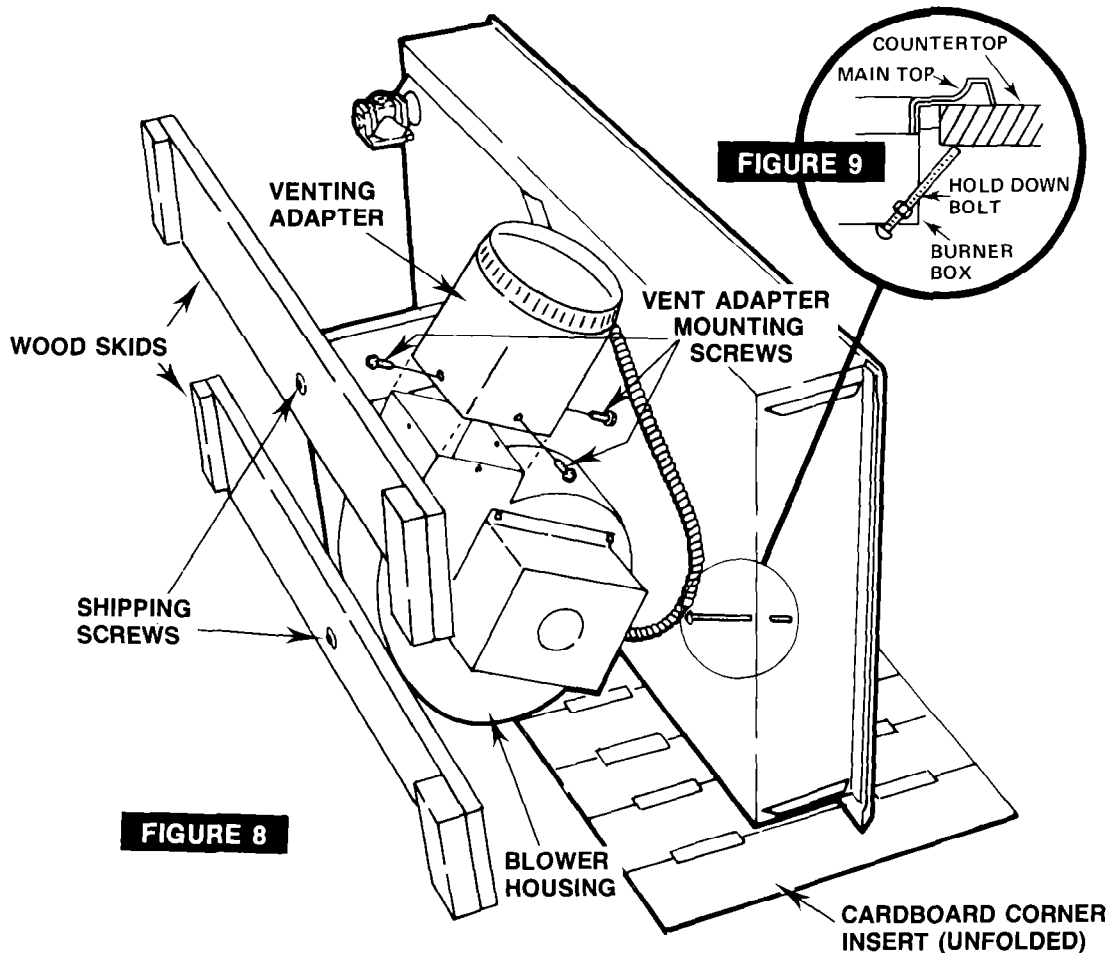
5 Install Surface Unit

Place surface unit on its side (resting on unfolded cardboard corner insert from shipping carton). Remove wood skids by unscrewing phillips screws in bottom. Install Venting Adapter to Blower Housing by using the three screws provided. See Figure 8.

Insert unit into countertop opening and tighten hold-down bolts at each end of unit as shown in Figure 9.

NOTE: Because of the length of the Venting Adapter, the Blower Housing should be rotated downward in order to clear the cabinet opening.

Install the grill and burner module back on the unit.



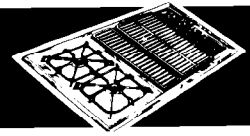
6 Connect Gas Supply

Before starting this section, refer to "Proper Gas Supply" on page 2 for basic information.

Gas connection is made to the gas pressure regulator which accepts 1/2" male pipe thread. This connection may be made directly below the burner box. See Figure 10 for location of the gas connection fittings on the unit.

When the unit is connected, and all gas valves have been closed, turn on main supply. Then turn on the supply line shut off valve located below the unit. Next, test all supply line connections and unit itself for leaks. This unit has been factory tested for leaks, but sometimes connections work loose in transit. **NEVER TEST FOR LEAKS WITH A LIGHTED MATCH OR OTHER FLAME.** Apply a thin solution of soapy water, if any leaks are present, bubbles will form at the point of leakage. If a leak is discovered it

Installation Instructions



must be stopped before the unit is put into operation. Joint compounds used must be resistant to the action of liquified petroleum gases.

To convert from NATURAL to LP gas:
Screw the burner orifices hoods down tight against the orifice pins. **DO NOT OVER TORQUE.**

To change the regulator setting:
Remove the aluminum hex nut (plug) with a wrench. Turn the hex nut or plug over and screw it back into the regulator. Caution: Do not over tighten.

NOTE: If the hollow side of the hex nut (plug) is outward, the regulator is on the LP setting.

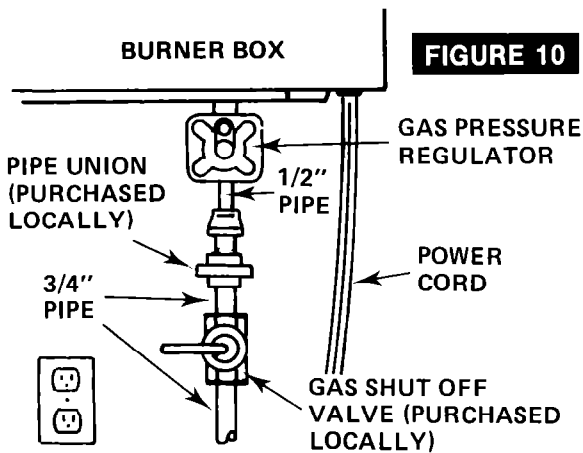


FIGURE 10

7 Connecting the Electrical and Vent System

1. Make final connection of the Vent Adapter to exhaust system. (Use duct tape to insure a tight seal).
2. Plug power cord into the outlet located under the unit.
3. For instructions on operating, cleaning and maintaining this unit, refer to Use and Care Guide in the Literature Package.

8 Check Operation

When all connections for the unit have been made, turn each control on to make sure the components are operating correctly. If the burners are not operating properly, refer to the next section to make necessary adjustments.

Burner Adjustments(If necessary)

The cooktop burners use electronic igniters in place of standing pilots. When the control knob is turned to the "LITE" position, the system creates a spark to light the burner. This sparking continues until the control is turned to the desired setting.

All cooktops are carefully lighted and checked at the factory. However, you may need to make adjustments to the cooktop burners because of the gas characteristics of your area or because adjustments were made during installation.

Remove the module from the cooktop. Unsnap the top from the module. Replace the module into cooktop.

Push in and turn the burner control to light the burner. Turn the control knob to "HI" position. Check that the burner flame has a small inner cone with a very distinct blue flame, 1/4" to 1/2" long. The outer cone is not as distinct as the inner cone.

To adjust the burner, loosen the shutter screw. Adjust the air shutter. Closing the air shutter will cause a soft, yellow-tipped flame. Opening the air shutter will cause lifting or blowing of the flame from the burner. After adjusting air shutter, tighten the shutter screw. Repeat for each burner.

Turn the control knob to "LO" position. The low flame should be a minimum, steady blue flame. To adjust the burner, remove the control knob and turn the adjustment screw in center of valve stem. Check adjustment by turning control knob from "HI" to "LO" several times. The burner is properly adjusted when the low flame remains steady and burner does not go out. Check each burner.

Remove the module from the cooktop. Snap the top on to module. Replace module into cooktop.

The appliance and its individual shutoff valve must be disconnected from the gas supply piping system during any pressure testing of that system at test pressures in excess of 1/2 psig.

The appliance must be isolated from the gas supply piping system by closing its individual manual shutoff valve during any pressure testing of the gas supply system at test pressures equal to or less than 1/2 psig.

This cooktop is equipped with a class 2, gas pressure regulator. The maximum gas supply pressure for this regulator is 14" WCP. The test pressure for checking this regulator must be at least 7" WCP for natural gas. It is shipped from the factory adjusted for natural gas at 6" WCP. The regulator supplied must be used with this cooktop.

Input ratings – BTU per hour:

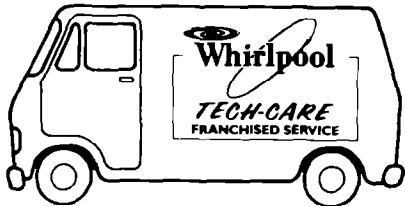
Burner	Natural	LP
2, Left open burners	10,000	7,000
2, Right open burners	8,000	7,000
Right open top grille	8,000	7,000

INSTRUCTIONS FOR DISCONNECTING POWER SUPPLY:

Unplug power supply cord through cabinet access below unit.



Making your world a little easier.



In the event your WHIRLPOOL appliance should need service, call the dealer from whom you purchased the appliance or a WHIRLPOOL franchised TECH-CARE® service company. He is in the Yellow Pages of your telephone directory listed under "Appliances-Household-Major-Service and Repair." You can also obtain his name and number by dialing, free, within the continental United States the Whirlpool COOL-LINE® Service (800) 253-1301. When calling from Michigan, dial (800) 632-2243; from Alaska or Hawaii, dial (800) 253-1121. Dial just as you normally dial long distance. A special operator will tell you the name and number of your nearest Whirlpool TECH-CARE service outlet. During normal working hours, Whirlpool consultants at this same number will also answer any questions about operating or maintaining your appliance not covered in your Use and Care Guide.

Learn the benefits of using TECH-CARE service for maintaining the quality originally built into your WHIRLPOOL appliance.

Part No. 63921/786201 Rev. B

Printed in U.S.A.

ifiers, Automatic Washers, Clothes Dryers, Freezers, Refrigerator-Freezers, Ice Makers, Dishwashers, Built-In Ovens and Surface Units, Ranges, Mic

