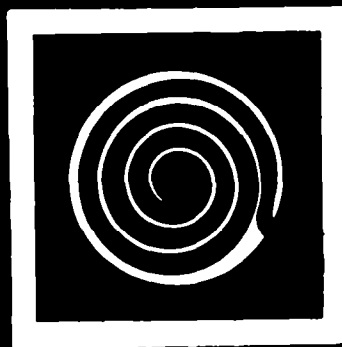


Installation Instructions



for
your new



ELECTRIC BUILT-IN

27" COMBINATION MICROWAVE OVEN

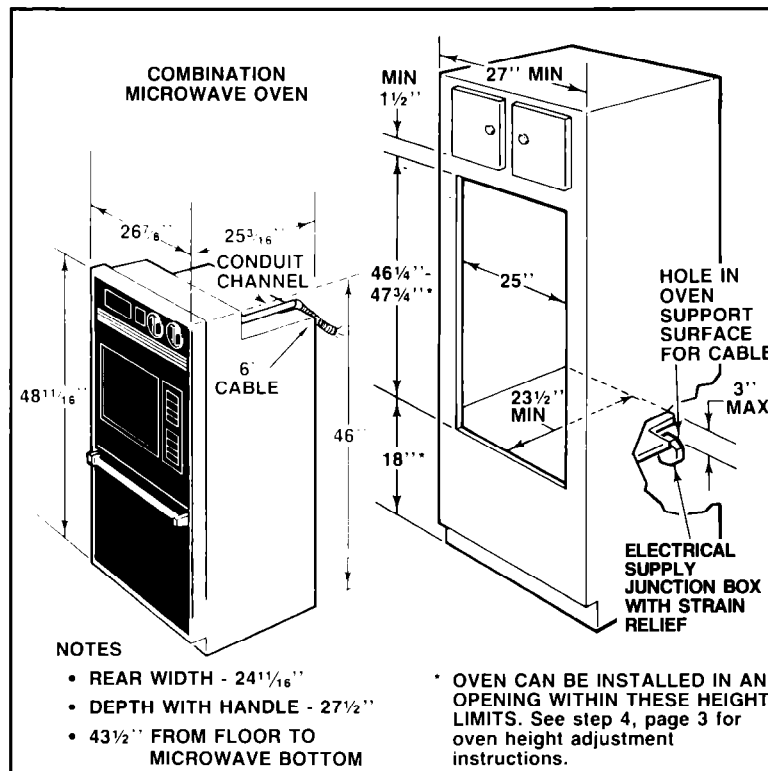


FIGURE 1

1. BEFORE YOU BEGIN

Read these instructions completely and carefully. If followed, they will simplify the installation job.

IMPORTANT:

Observe all governing codes and ordinances. Failure to follow these instructions could lead to fire or electrical shock hazard.

WARNING:

The microwave oven in this unit is designed for household use only. It must not be used for commercial purposes.

PRECAUTIONS TO AVOID POSSIBLE EXPOSURE TO EXCESSIVE MICROWAVE ENERGY

Do not attempt to operate this oven with the door open since open-door operation can result in harmful exposure to microwave energy. It is important not to defeat or tamper with the safety interlocks.

Do not place any object between the oven front face and the door or allow soil or cleaner residue to accumulate on sealing surfaces.

Do not operate the oven if it is damaged. It is particularly important that the oven door close properly and that there is no damage to the:

1. Door (bent)
2. Hinges and latches (broken or loosened)
3. Door seals and sealing surfaces.

The oven should not be adjusted or repaired by anyone except properly qualified personnel.

The oven should be checked for microwave leakage by qualified service personnel after a repair is made.

Do not operate the oven if the door glass is broken.

CHECK MICROWAVE FOR DAMAGE

Remove all packing material from the oven cavity. When unpacking the unit, check for damage such as misaligned door, damaged gaskets around the door, or dents inside the oven or on the exterior. If there is any damage, please do not operate the unit until it has been checked by an authorized Whirlpool trained service technician.

2. CARPENTRY

CAUTION: Set oven on protective cover to avoid damaging floor.

CAUTION: Oven weight may require more than one person to install.

Refer to Figure 1 for the dimensions of the oven and the space necessary to receive the oven. The oven support surface may be solid plywood or similar material but the contact surface must be level from side to side and from front to rear.

Remove and lay aside the lower vent grille that is taped to the outer side panel of the oven. You will fasten it to the oven after the oven has been installed in the cabinet (step 6). Screws for installation are included in the miscellaneous parts bag.

3. ELECTRICAL REQUIREMENTS

IMPORTANT: SAVE THESE INSTRUCTIONS FOR THE LOCAL ELECTRICAL INSPECTOR'S USE.

A. A three-wire or four-wire single phase 120/240 Volt, 60 Hz AC only electrical supply (or three-wire or four-wire 120/208 Volt if specified on nameplate) is required on a separate circuit fused on both sides of the line (time-delay fuse or circuit breaker is recommended). DO NOT fuse neutral. The fuse size must not exceed the circuit rating of the appliance specified on the nameplate.

NOTE: Wire sizes and connections must conform with the fuse size and rating of the appliance in accordance with the National Electrical Code and local codes and ordinances.

WARNING: AN EXTENSION CORD SHOULD NOT BE USED WITH THIS APPLIANCE. SUCH USE MAY RESULT IN A FIRE, ELECTRICAL SHOCK, OR OTHER PERSONAL INJURY.

B. The appliance should be connected to the fused disconnect (or circuit breaker) box through flexible armored or non-metallic sheathed cable. The flexible armored cable extending from the appliance should be connected directly to the junction box. The junction box should be located as shown in Figure 1 so as much slack as possible remains in the cable between the box and the appliance so it can be moved if servicing is ever necessary.

C. A suitable strain relief must be provided to attach the flexible armored cable to the junction box.

4. ELECTRICAL CONNECTION

It is the personal responsibility and obligation of the customer to contact a qualified installer to assure that the electrical installation is adequate and is in conformance with the National Electrical Code and local codes and ordinances.

ELECTRICAL GROUND IS REQUIRED ON THIS APPLIANCE.

WARNING: SHUT OFF ELECTRICAL SUPPLY TO JUNCTION BOX BEFORE BEGINNING INSTALLATION.

This appliance is equipped with copper lead wires. If connection is made to aluminum house wiring, use only special connectors which are approved for joining copper and aluminum wires in accordance with the National Electrical Code and local codes and ordinances.

This appliance is manufactured with a white neutral power supply wire and a frame connected bare ground wire.

A. If local codes permit connection of the frame grounding conductor to the neutral (white wire), connect the bare wire and white wire from the supply cable of the appliance together and to the neutral (white) wire in the junction box. Connect the remaining wires from the supply cable, matching colors to the wires in the junction box.

B. If used in mobile home or if local codes DO NOT permit frame grounding to the neutral, separate the white and bare wires that extend out of the end of the supply cable of the appliance. Connect the white wire from the supply cable to the white neutral wire in the junction box. Connect the black wire from the supply cable to the black wire in the junction box. Connect the red wire from the supply cable to the red wire in the junction box. The bare wire must now be used to ground the appliance in accordance with local electrical codes. Connect the bare copper ground wire to a grounded cold water pipe* or to the grounded lead in the service panel.

*Cold water pipe must have metal continuity to electrical ground and not be interrupted by plastic, rubber or other electrically insulating connectors (including water meter or pump) without adding a jumper wire at these connections.

Do not ground to a gas supply pipe. Do not connect to electrical power supply until appliance is permanently grounded. Connect the ground wire before turning on the power (see Figure 2).

CAUTION: If connecting to a four-wire electrical system (mobile home) the appliance frame **MUST NOT** be connected to the neutral wire of the four-wire electrical system. Separate the white and bare wires that extend out of the end of the supply cable of the appliance. Connect the white, red and black wires from the supply

cable, matching the colors, to the corresponding wires in the junction box. Connect the bare ground wire from the supply cable to the ground wire in the junction box.

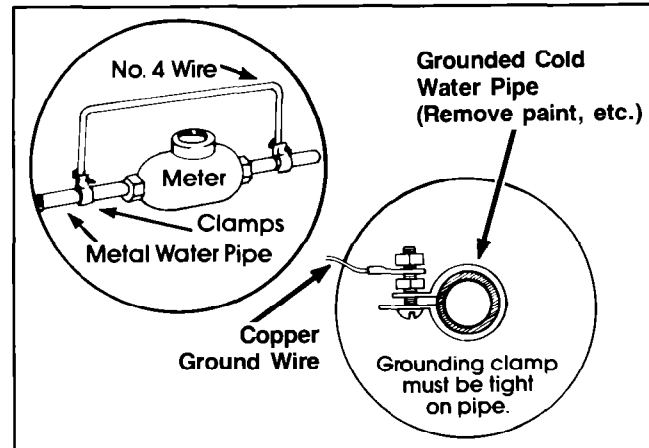


FIGURE 2

5. HEIGHT ADJUSTMENT ON OVEN (See Figure 3)

There is a 1½" height adjustment on this model so it can be installed in an existing opening 46½" to 47¾" high.

To adjust oven height:

- Lay oven on its back
- Use a Phillips (cross recessed) screwdriver to remove the 6 screws that fasten the side extension panel to the bottom sides of oven.
- Move each panel down to the position that increases the oven height to fit your opening. Each position changes oven height approximately ½".
- Line up the appropriate holes in the side extension panels and sides of the oven to hold panels in the correct position. Replace the 6 screws.
- Proceed with oven installation.

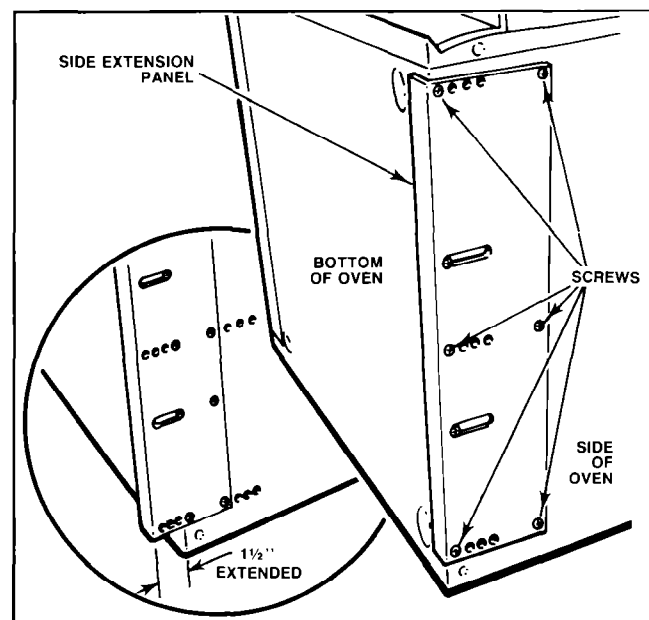


FIGURE 3

6. INSTALLATION

CAUTION: Oven weight may require more than one person to install.

A. To install oven:

1. In order to gain access to the top mounting holes directly above the microwave oven, remove the two screws holding the top trim to the oven (see Figure 4). The side trim on each side of the microwave can now be removed.
2. Insert appliance into cut-out. Screws are provided for fastening the front frame on the appliance to the cabinet. The mounting holes in the front frame of appliance may be used as a template to locate the appliance mounting screw holes.
3. Replace the side trim pieces and the top trim directly above the microwave oven with the two screws removed in step 1.

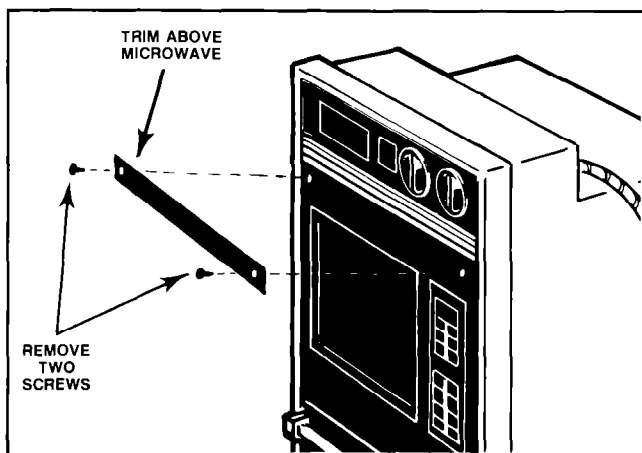


FIGURE 4

B. To fasten the lower oven grille to the oven:

1. Line up the 2 mounting holes on the grille with the mounting holes on each side of the front oven frame, below the oven door (see Figure 5).
2. Use 2 screws from the miscellaneous parts bag to secure the grille to the oven.

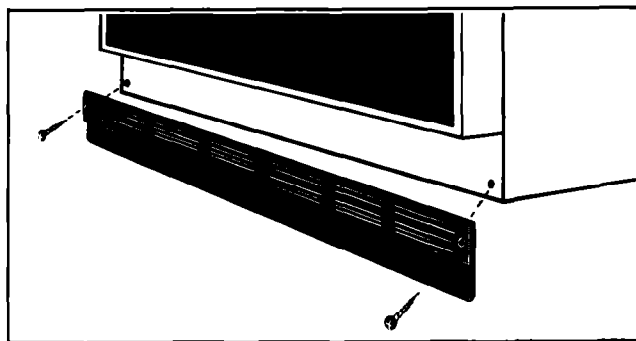


FIGURE 5

7. CHECKING OPERATION OF LOWER OVEN

Turn on electrical supply.

Bake — Turn the oven selector knob to "Bake" and the Oven Thermostat Knob to 350°F. The Oven Element should become red and the Signal Light should glow. When the oven reaches the desired temperature, the light will go out. The Oven Signal Light is designed to turn on and off during baking as the Bake Element cycles on and off.

Broil — Turn the Oven Selector Knob to "Broil" and set the Oven Temperature Knob to "Broil". The Top Element should become red and the Signal Light should glow.

CLOCK — ALL MODELS

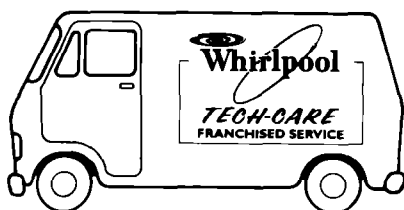
Refer to the Use and Care Guide for proper operation of the Clock.

SERIAL PLATE LOCATION

The Serial Plate is located on the microwave oven door frame at the lower left corner.

BEFORE YOU CALL FOR SERVICE

Check to make sure the house fuses or circuit breaker for your oven are not blown or open.



In the event your WHIRLPOOL appliance should need service, call the dealer from whom you purchased the appliance or a WHIRLPOOL franchised TECH-CARE® service company. He is in the Yellow Pages of your telephone directory listed under "Appliances-Household-Major-Service and Repair." You can also obtain his name and number by dialing, free, the Whirlpool COOL-LINE® Service (800) 253-1301. Dial just as you normally dial long distance. A special operator will tell you the name and number of your nearest Whirlpool TECH-CARE service outlet. During normal working hours, Whirlpool consultants at this same number will also answer any questions about operating or maintaining your appliance not covered in your Use and Care Guide.

Learn the benefits of using TECH-CARE service for maintaining the quality originally built into your Whirlpool appliances.

WHIRLPOOL CORPORATION, BENTON HARBOR, MICHIGAN 49022