

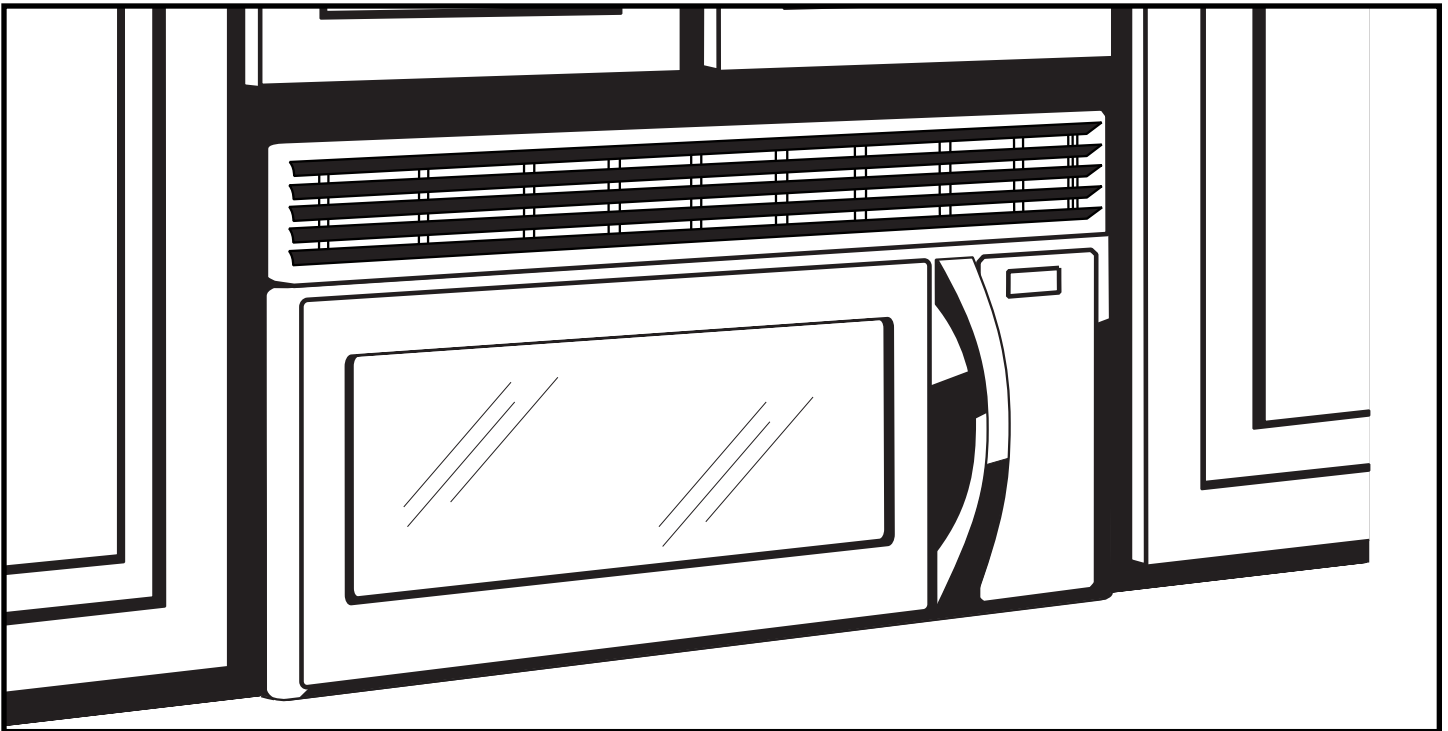
Installation Instructions

Over the Range Microwave Oven

BEFORE YOU BEGIN

Read these instructions completely and carefully.

- **IMPORTANT** – Save these instructions for local inspector's use.
- **IMPORTANT** – Observe all governing codes and ordinances.
- **Note to Installer** – Be sure to leave these instructions with the Consumer.
- **Note to Consumer** – Keep these instructions for future reference.
- **Skill level** – Installation of this appliance requires basic mechanical and electrical skills.
- Proper installation is the responsibility of the installer.
- Product failure due to improper installation is not covered under the Warranty.



Need Help?

For customers in the United States, call: 1-800-944-9044

*For Canadian customers, call: 1-866-213-9397 (English)
1-800-668-4606 ext. 8199 (French)*

**READ CAREFULLY.
KEEP THESE INSTRUCTIONS.**

Installation Instructions

CONTENTS

General information

Important Safety Instructions	3
Electrical Requirements	3
Hood Exhaust	4-5
Damage – Shipment/Installation	6
Parts Included	6
Tools You Will Need	7
Mounting Space	7

Step-by-step installation guide

Placement of Mounting Plate.....	8-10
Removing the Mounting Plate	8
Finding the Wall Studs	8
Determining Wall Plate Location	9
Aligning the Wall Plate.....	10

Installation Types

A Outside Top Exhaust

Attach Mounting Plate to Wall	12
Preparation of Top Cabinet	13
Checking for Proper Damper Operation.....	13
Mount the Microwave Oven	13-14
Adjust the Exhaust Adaptor	14
Connecting Ductwork.....	14

B Outside Back Exhaust

Preparing Rear Wall for Outside Back Exhaust	15-16
Attach Mounting Plate to Wall	16
Preparation of Top Cabinet	16
Adapting Microwave Blower for Outside Back Exhaust.....	17
Mount the Microwave Oven	18

C Recirculating

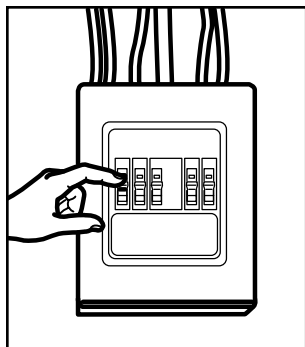
Attach Mounting Plate to Wall	19
Preparation of Top Cabinet	19
Check Microwave Assembly	20
Adapting Microwave Blower for Recirculation	20-21
Mount the Microwave Oven.....	21-22
Installing the Charcoal Filter	22

Before You Use Your Microwave

Installation Instructions

IMPORTANT SAFETY INSTRUCTIONS

This product requires a three-prong grounded outlet. The installer must perform a ground continuity check on the power outlet box before beginning the installation to insure that the outlet box is properly grounded. If not properly grounded, or if the outlet box does not meet electrical requirements noted (under ELECTRICAL REQUIREMENTS), a qualified electrician should be employed to correct any deficiencies.



CAUTION: For personal safety, remove house fuse or open circuit breaker before beginning installation to avoid severe or fatal shock injury.

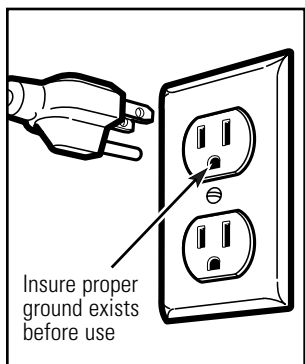
CAUTION: For personal safety, the mounting surface must be capable of supporting the cabinet load, in addition to the added weight of this 63-85 pound (28.6-38.6 kg) product, plus additional oven loads of up to 50 pounds (22.7 kg) or a total weight of 113-135 pounds (51.3-61.2 kg).

CAUTION: For personal safety, this product cannot be installed in cabinet arrangements such as an island or a peninsula. It must be mounted to BOTH a top cabinet AND a wall.

NOTE: For easier installation and personal safety, it is recommended that two people install this product.

IMPORTANT—PLEASE READ CAREFULLY. FOR PERSONAL SAFETY, THIS APPLIANCE MUST BE PROPERLY GROUNDED TO AVOID SEVERE OR FATAL SHOCK.

The power cord of this appliance is equipped with a



three-prong (grounding) plug which mates with a standard three-prong (grounding) wall receptacle to minimize the possibility of electric shock hazard from this appliance.

Insure proper ground exists before use

You should have the wall receptacle and circuit checked by a qualified electrician to make sure the receptacle is properly grounded.

Where a standard two-prong wall receptacle is encountered, it is very important to have it replaced with a properly grounded three-prong wall receptacle, installed by a qualified electrician.

DO NOT, UNDER ANY CIRCUMSTANCES, CUT, DEFORM OR REMOVE ANY OF THE PRONGS FROM THE POWER CORD. DO NOT USE WITH AN EXTENSION CORD.

ELECTRICAL REQUIREMENTS

Product rating is 120 volts AC, 60 Hertz, 15 amps and 1.58 kilowatts. This product must be connected to a supply circuit of the proper voltage and frequency. Wire size must conform to the requirements of the National Electrical Code or the prevailing local code for this kilowatt rating. The power supply cord and plug should be brought to a separate 15 to 20 ampere branch circuit single grounded outlet. The outlet box should be located in the cabinet above the microwave oven. The outlet box and supply circuit should be installed by a qualified electrician and conform to the National Electrical Code or the prevailing local code.

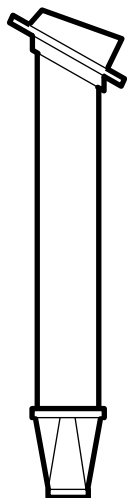
Installation Instructions

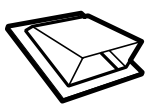


HOOD EXHAUST

NOTE: Read these next two pages only if you plan to vent your exhaust to the outside. If you plan to recirculate the air back into the room, proceed to page 6.

OUTSIDE TOP EXHAUST (EXAMPLE ONLY)

The following chart describes an example of one possible ductwork installation.



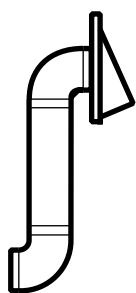
DUCT PIECES		EQUIVALENT LENGTH	x	NUMBER USED	=	EQUIVALENT LENGTH
	Roof Cap	24 Ft. (7.32 m)	x	(1)	=	24 Ft. (7.32 m)
	12 Ft. Straight Duct (6" Round)	12 Ft. (3.66 m)	x	(1)	=	12 Ft. (3.66 m)
	Rectangular-to-Round Transition Adaptor*	5 Ft. (1.52 m)	x	(1)	=	5 Ft. (1.52 m)
Total Length =						41 Ft. (12.50 m)




Equivalent lengths of duct pieces are based on actual tests and reflect requirements for good venting performance with any vent hood.

***IMPORTANT:** If a rectangular-to-round transition adaptor is used, the bottom corners of the damper will have to be cut to fit, using the tin snips, in order to allow free movement of the damper.

OUTSIDE BACK EXHAUST (EXAMPLE ONLY)

The following chart describes an example of one possible ductwork installation.



DUCT PIECES		EQUIVALENT LENGTH*	x	NUMBER USED	=	EQUIVALENT LENGTH
	Wall Cap	40 Ft. (12.19 m)	x	(1)	=	40 Ft. (12.19 m)
	3 Ft. Straight Duct (3¼" x 10" Rectangular)	3 Ft. (91.44 cm)	x	(1)	=	3 Ft. (91.44 cm)
	90° Elbow	10 Ft. (3.05 m)	x	(2)	=	20 Ft. (6.10 m)
Total Length =						63 Ft. (19.20 m)

Equivalent lengths of duct pieces are based on actual tests and reflect requirements for good venting performance with any vent hood.

NOTE: For back exhaust, care should be taken to align exhaust with space between studs, or wall should be prepared at the time it is constructed by leaving enough space between the wall studs to accommodate exhaust.

Installation Instructions

NOTE: If you need to install ducts, note that the total duct length of 3¼" x 10" rectangular or 6" diameter round duct **should not exceed 140 equivalent feet (42.67 m).**

Outside ventilation requires a HOOD EXHAUST DUCT. Read the following carefully.

NOTE: It is important that venting be installed using the most direct route and with as few elbows as possible. This ensures clear venting of exhaust and helps prevent blockages. **Also, make sure dampers swing freely and nothing is blocking the ducts.**

Exhaust connection:





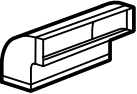
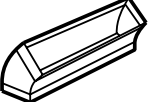
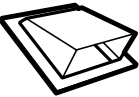

The hood exhaust has been designed to mate with a standard 3¼" x 10" rectangular duct.

If a round duct is required, a rectangular-to-round transition adaptor must be used. **Do not use less than a 6" diameter duct.**

Maximum duct length:

For satisfactory air movement, the total duct length of 3¼" x 10" rectangular or 6" diameter round duct **should not exceed 140 equivalent feet (42.67 m).**

Elbows, transitions, wall and roof caps, etc., present additional resistance to airflow and are equivalent to a section of straight duct which is longer than their actual physical size. When calculating the total duct length, add the equivalent lengths of all transitions and adaptors plus the length of all straight duct sections. The chart below shows you how to calculate total equivalent ductwork length using the approximate feet of equivalent length of some typical ducts.

DUCT PIECES	EQUIVALENT LENGTH	x	NUMBER USED	=	EQUIVALENT LENGTH
 Rectangular-to-Round Transition Adaptor*	5 Ft. (1.52 m)	x	()	=	Ft. (m)
 Wall Cap	40 Ft. (12.19 m)	x	()	=	Ft. (m)
 90° Elbow	10 Ft. (3.05 m)	x	()	=	Ft. (m)
 45° Elbow	5 Ft. (1.52 m)	x	()	=	Ft. (m)
 90° Elbow	25 Ft. (7.62 m)	x	()	=	Ft. (m)
 45° Elbow	5 Ft. (1.52 m)	x	()	=	Ft. (m)
 Roof Cap	24 Ft. (7.32 m)	x	()	=	Ft. (m)
 Straight Duct 6" Round or 3¼" x 10" Rectangular	1 Ft. (30.48 cm)	x	()	=	Ft. (cm)
Total Ductwork				=	Ft. (m)



*** IMPORTANT:** If a rectangular-to-round transition adaptor is used, the bottom corners of the damper will have to be cut to fit, using the tin snips, in order to allow free movement of the damper.

Equivalent lengths of duct pieces are based on actual tests and reflect requirements for good venting performance with any vent hood.


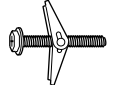



Installation Instructions

DAMAGE – SHIPMENT/ INSTALLATION

- If the unit is damaged in shipment, return the unit to the store in which it was bought for repair or replacement.
- If the unit is damaged by the customer, repair or replacement is the responsibility of the customer.
- If the unit is damaged by the installer (if other than the customer), repair or replacement must be made by arrangement between customer and installer.

PARTS INCLUDED

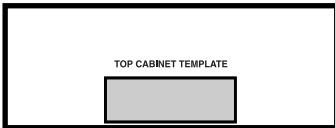

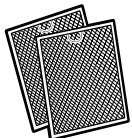
HARDWARE PACKET

PART	QUANTITY
 Wood Screws (1/4" x 2")	2
 Toggle Bolts (and wing nuts) (3/16" x 3")	4
 Self-aligning Machine Screws (1/4"-28 x 3 1/4")	3
 Nylon Grommet (for metal cabinets)	2
 28" (71.12 cm) Pieces of Foam Tape	2

You will find the installation hardware contained in a packet with the unit. Check to make sure you have all these parts.

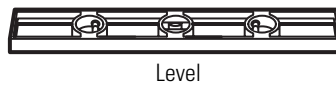
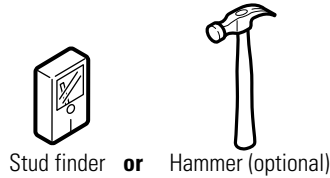
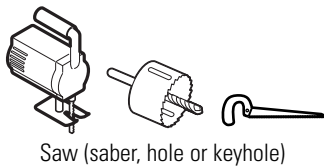
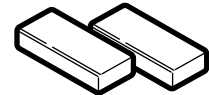
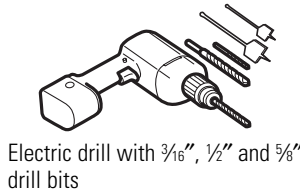
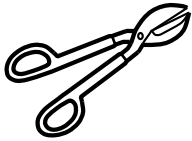
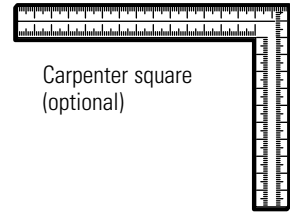
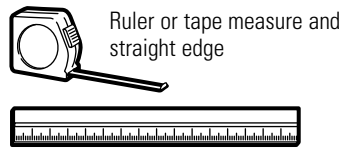
NOTE: Some extra parts are included.

ADDITIONAL PARTS

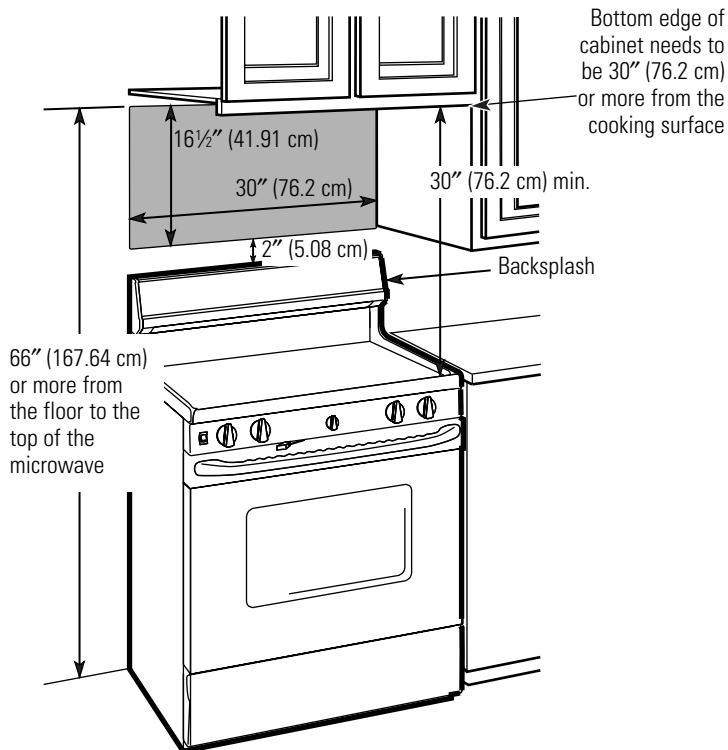
PART	QUANTITY
 TOP CABINET TEMPLATE	1
 INSTALLATION INSTRUCTIONS	1
	2

Installation Instructions

TOOLS YOU WILL NEED



MOUNTING SPACE



NOTES:

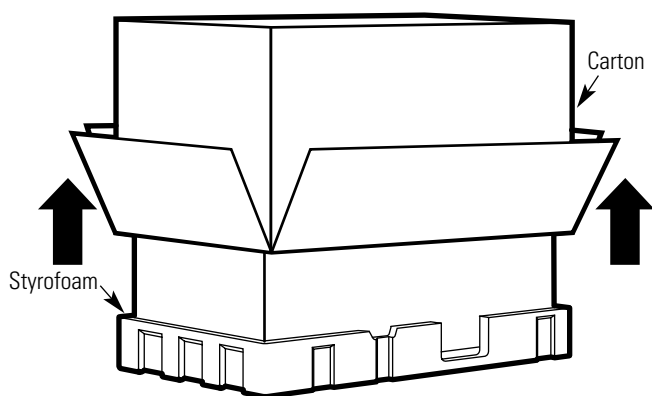
- The space between the cabinets must be 30" (76.2 cm) wide and free of obstructions.
- If the space between the cabinets is greater than 30" (76.2 cm), a Filler Panel Kit may be used to fill in the gap between the microwave oven and the cabinets. Your Owner's Manual contains the kit number for your model.
- This microwave oven is for installation over ranges up to 36" (91.44 cm) wide.
- If you are going to vent your microwave oven to the outside, see Hood Exhaust Section for exhaust duct preparation.
- **When installing the microwave oven beneath smooth, flat cabinets, be careful to follow the instructions on the top cabinet template for power cord clearance.**

Installation Instructions

1 PLACEMENT OF THE MOUNTING PLATE

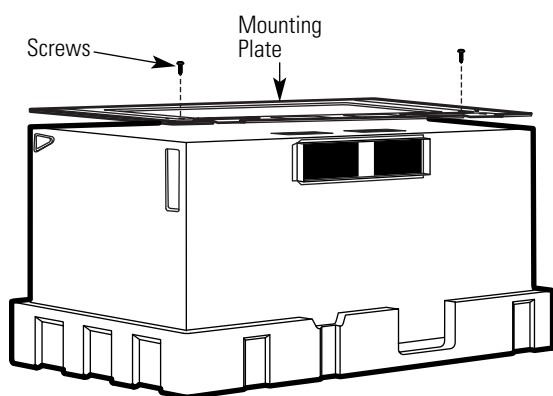
A. REMOVING THE MICROWAVE OVEN FROM THE CARTON/ REMOVING THE MOUNTING PLATE

- 1 Remove the installation instructions, filters, glass tray and the small hardware bag. Do not remove the Styrofoam protecting the front of the oven.
- 2 Fold back all 4 carton flaps fully against carton sides. Then carefully roll the oven and carton over onto the top side. The oven should be resting in the Styrofoam.



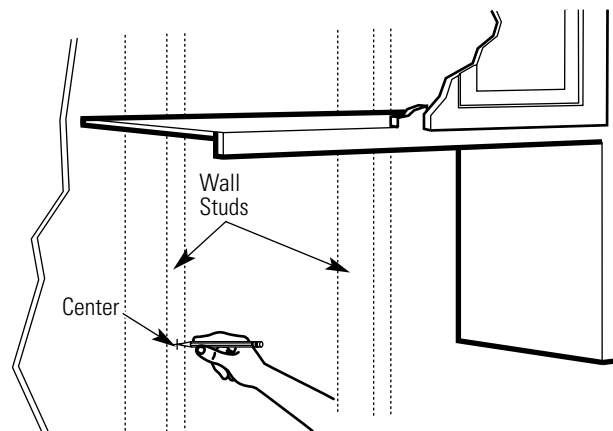
- 3 Pull the carton up and off the oven.

- 4 Remove and properly discard plastic bags.



- 5 Remove the 2 screws from the mounting plate. This plate will be used as the rear wall template and for mounting. You may discard these screws.

B. FINDING THE WALL STUDS



- 1 Find the studs, using one of the following methods:

A. Stud finder – a magnetic device which locates nails.

OR

B. Use a hammer to tap lightly across the mounting surface to find a solid sound. This will indicate a stud location.

- 2 After locating the stud(s), find the center by probing the wall with a small nail to find the edges of the stud. Then place a mark halfway between the edges. The center of any adjacent studs should be 16" or 24" (40.64 cm or 60.96 cm) from this mark.

- 3 Draw a line down the center of the studs.

THE MICROWAVE MUST BE CONNECTED TO AT LEAST ONE WALL STUD.

Installation Instructions

C. DETERMINING WALL PLATE LOCATION UNDER YOUR CABINET

Plate position – beneath flat bottom cabinet

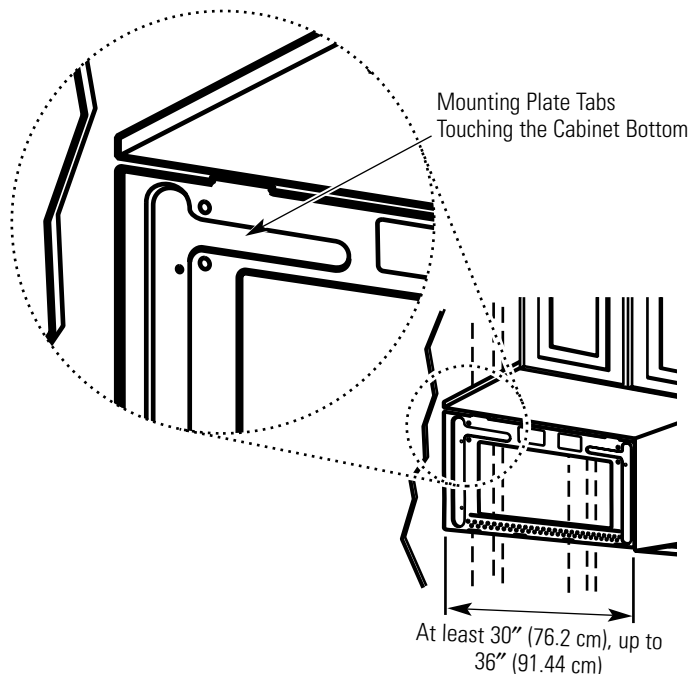


Plate position – beneath framed recessed cabinet bottom

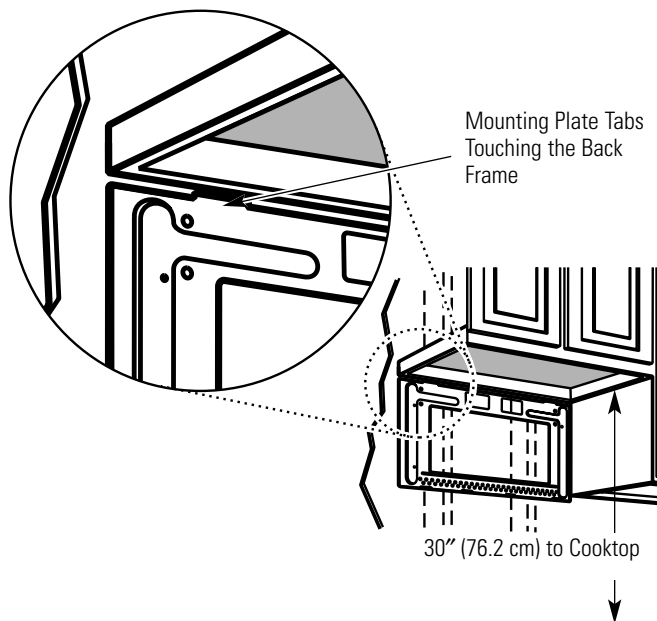
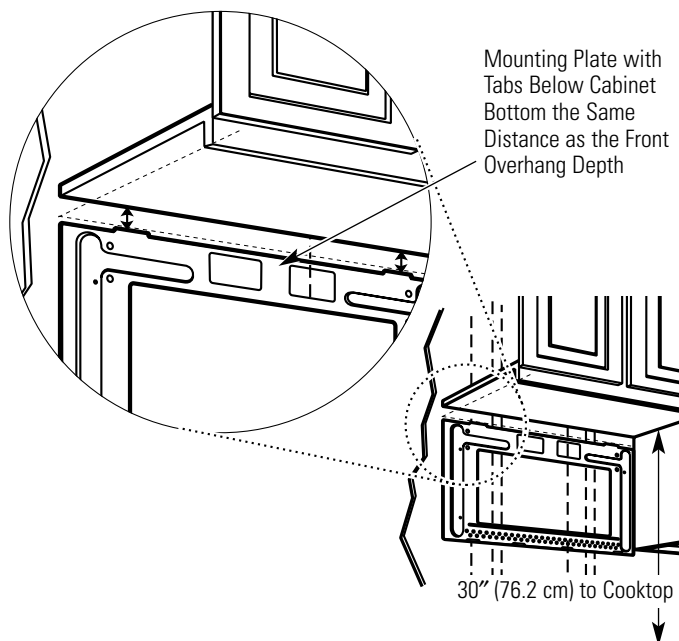


Plate position – beneath recessed bottom cabinet with front overhang



Your cabinets may have decorative trim that interferes with the microwave installation. Remove the decorative trim to install the microwave properly and to make it level.

THE MICROWAVE MUST BE LEVEL.

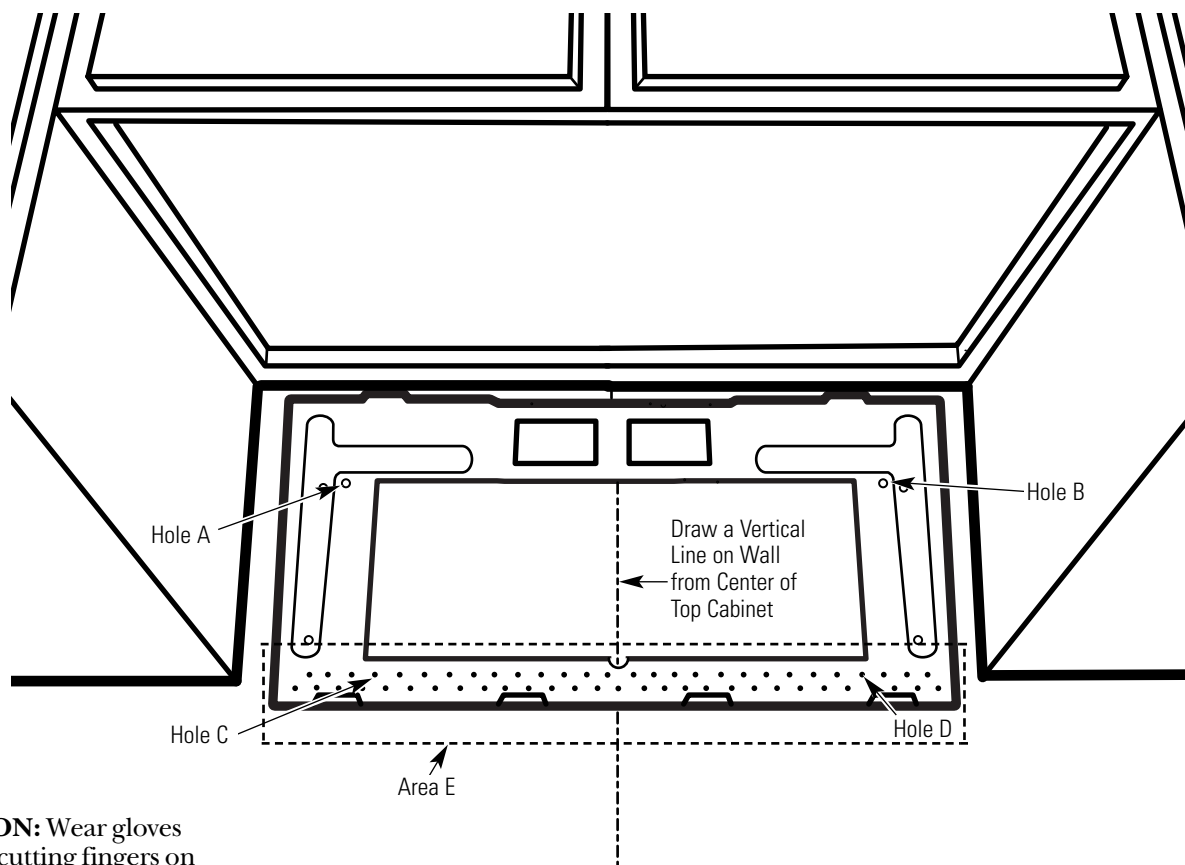
Use a level to make sure the cabinet bottom is level.

If the cabinets have a front overhang only, with no back or side frame, install the mounting plate down the same distance as the front overhang depth. This will keep the microwave level.

- 1 Measure the inside depth of the front overhang.
- 2 Draw a horizontal line on the back wall an equal distance below the cabinet bottom as the inside depth of the front overhang.
- 3 For this type of installation with front overhang only, align the mounting tabs with this horizontal line, not touching the cabinet bottom as described in Step D.

Installation Instructions

D. ALIGNING THE WALL PLATE



CAUTION: Wear gloves to avoid cutting fingers on sharp edges.

- 1 Draw a vertical line on the wall at the center of the 30" (76.2 cm) wide space.
- 2 Use the mounting plate **as the template** for the rear wall. Place the mounting plate on the wall, making sure that the tabs are **touching the bottom of the cabinet. Line up the notch and center line on the mounting plate to the center line on the wall.**
- 3 While holding the mounting plate with one hand, draw circles on the wall at holes A, B, C and D (see illustration above/actual plate marked with arrows). **Four holes must be used for mounting.**

NOTE: Holes C and D are inside area E. If neither C nor D is in a stud, find a stud somewhere in area E and draw a fifth circle to line up with the stud. It is important to use **at least one wood screw mounted firmly in a stud** to support the weight of the microwave. **Set the mounting plate aside.**

- 4 Drill holes on the circles. If there is a stud, drill a $\frac{3}{16}$ " hole for wood screws. For holes that don't line up with a stud, drill a $\frac{5}{8}$ " hole for toggle bolts.

NOTE: DO NOT MOUNT THE PLATE AT THIS TIME.

Installation Instructions

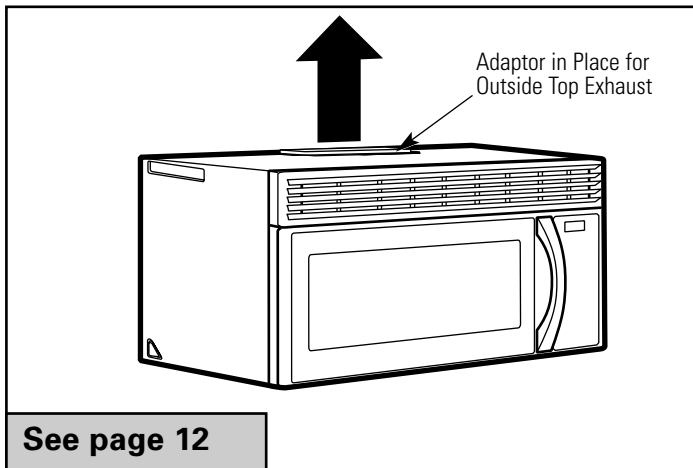
2 INSTALLATION TYPES (Choose A, B or C)

This microwave oven is designed for adaptation to the following three types of ventilation:

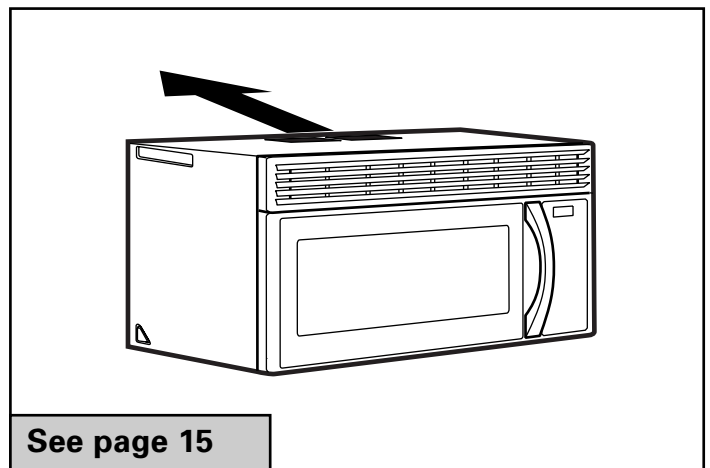
- A. Outside Top Exhaust (Vertical Duct)
- B. Outside Back Exhaust (Horizontal Duct)
- C. Recirculating (Non-Vented Ductless)

NOTE: This microwave is shipped assembled for Outside Top Exhaust (except for non-vented models). Select the type of ventilation required for your installation and proceed to that section.

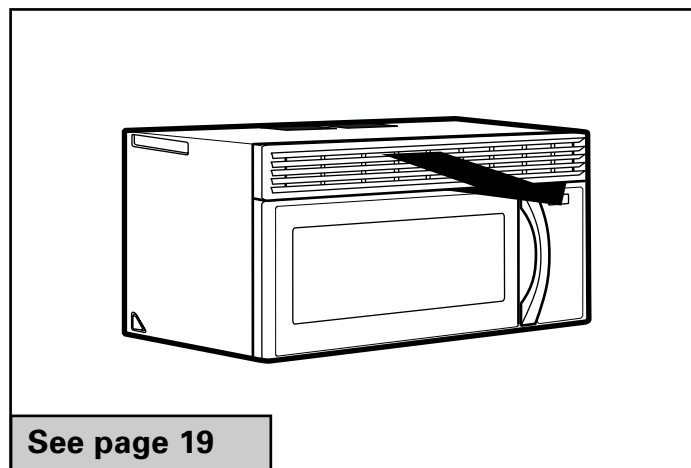
A OUTSIDE TOP EXHAUST (VERTICAL DUCT)



B OUTSIDE BACK EXHAUST (HORIZONTAL DUCT)



C RECIRCULATING (NON-VENTED DUCTLESS)



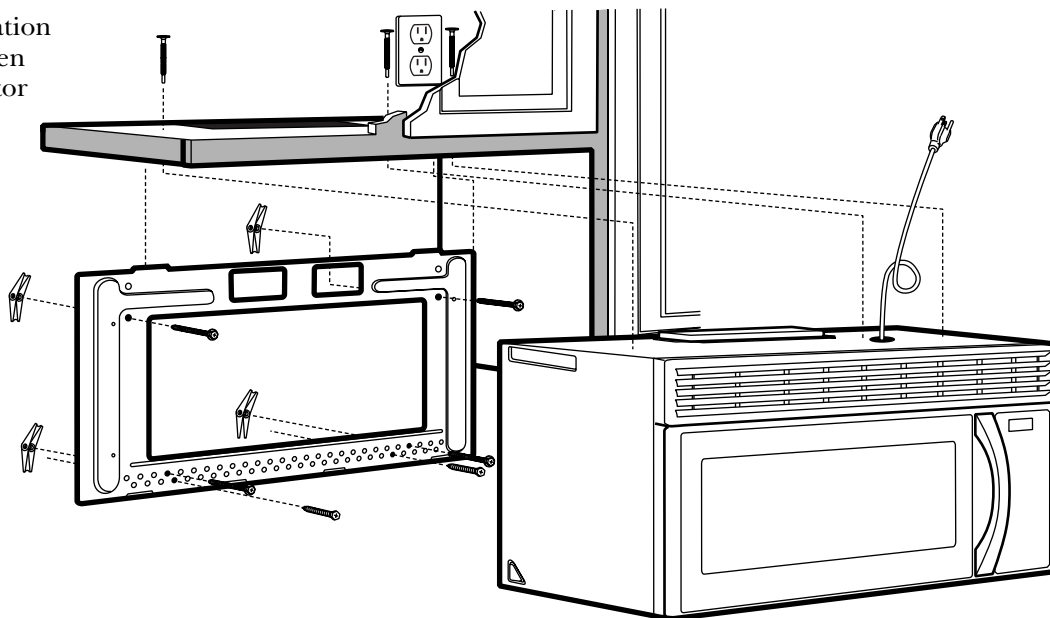
A Charcoal Filter Accessory Kit is required for the non-vented exhaust. (See your Owner's Manual for the kit number.)

Installation Instructions

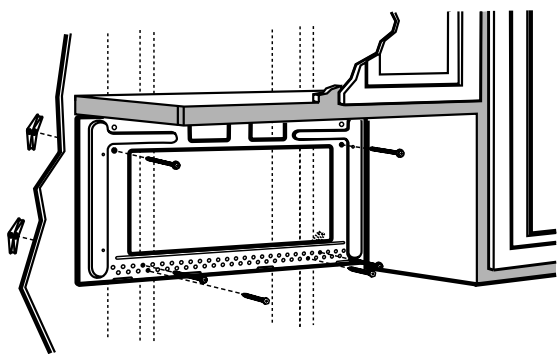
A OUTSIDE TOP EXHAUST (Vertical Duct)

INSTALLATION OVERVIEW

- A1. Attach Mounting Plate to Wall
- A2. Prepare Top Cabinet
- A3. Check Damper Operation
- A4. Mount Microwave Oven
- A5. Adjust Exhaust Adaptor
- A6. Connect Ductwork



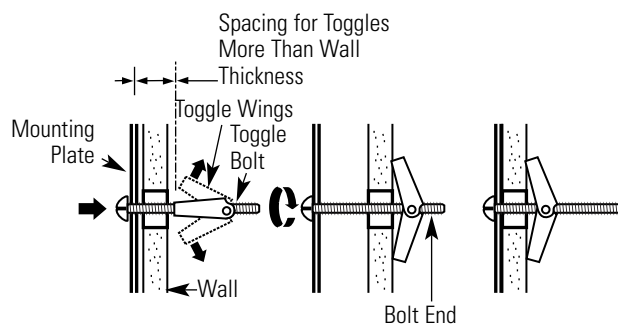
A1. ATTACH THE MOUNTING PLATE TO THE WALL



Attach the plate to the wall using toggle bolts. At least one wood screw must be used to attach the plate to a wall stud.

- 1 Remove the toggle wings from the bolts.
- 2 Insert the bolts into the mounting plate through the holes designated to go into drywall and reattach the toggle wings to $\frac{3}{4}$ " (19.05 mm) onto each bolt.

To use toggle bolts:



- 3 Place the mounting plate against the wall and insert the toggle wings into the holes in the wall to mount the plate.

NOTE: Before tightening toggle bolts and wood screw, make sure the tabs on the mounting plate touch the bottom of the cabinet when pushed flush against the wall and that the plate is properly centered under the cabinet.

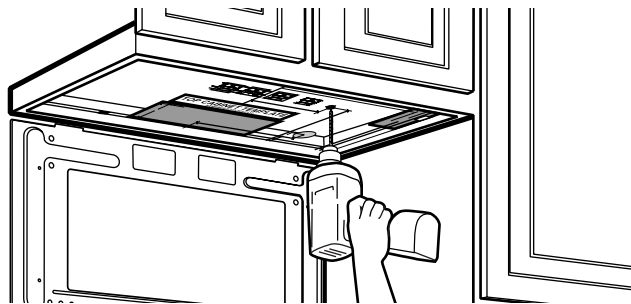
CAUTION: Be careful to avoid pinching fingers between the back of the mounting plate and the wall.

- 4 Tighten all bolts. Pull the plate away from the wall to help tighten the bolts.

Installation Instructions

A2. USE TOP CABINET TEMPLATE FOR PREPARATION OF TOP CABINET

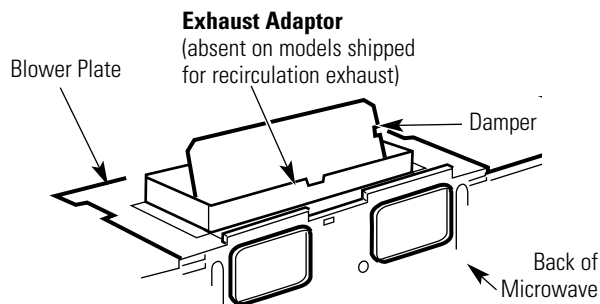
You need to drill holes for the top support screws, a hole large enough for the power cord to fit through, and a cutout large enough for the exhaust adaptor.



- Read the instructions on the TOP CABINET TEMPLATE.
- Tape it underneath the top cabinet.
- Drill the holes, following the instructions on the TOP CABINET TEMPLATE.

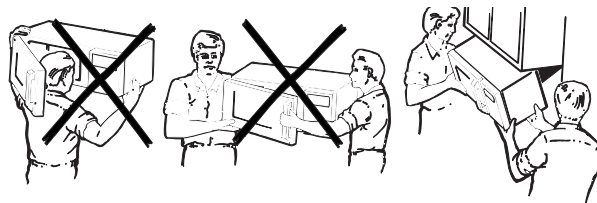
CAUTION: Wear safety goggles when drilling holes in the cabinet bottom.

A3. CHECK FOR PROPER DAMPER OPERATION



- Place the microwave in its upright position, with the top of the unit facing up.
- This microwave oven may be shipped assembled for top exhaust (adaptor installed) or for recirculation exhaust (adaptor absent).
- **Make sure tape securing damper is removed and damper pivots easily before mounting microwave.**
- You will need to make adjustments to assure proper alignment with your house exhaust duct after the microwave is installed.

A4. MOUNT THE MICROWAVE OVEN



FOR EASIER INSTALLATION AND PERSONAL SAFETY, WE RECOMMEND THAT **TWO PEOPLE** INSTALL THIS MICROWAVE OVEN.

IMPORTANT: Do not grip or use handle during installation.

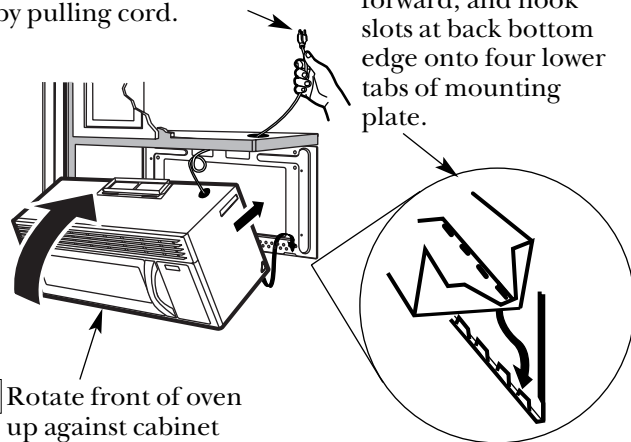
NOTE: If your cabinet is metal, use the nylon grommet around the power cord hole to prevent cutting of the cord.

NOTE: We recommend using filler blocks if the cabinet front hangs below the cabinet bottom shelf.

IMPORTANT: If filler blocks are not used, case damage may occur from over tightening screws.

NOTE: When mounting the microwave oven, thread power cord through hole in bottom of top cabinet. Keep it tight throughout Steps 1–3. Do not pinch cord or lift oven by pulling cord.

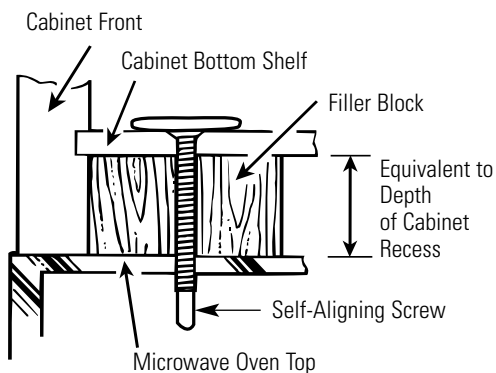
1 Lift microwave, tilt it forward, and hook slots at back bottom edge onto four lower tabs of mounting plate.



2 Rotate front of oven up against cabinet bottom.

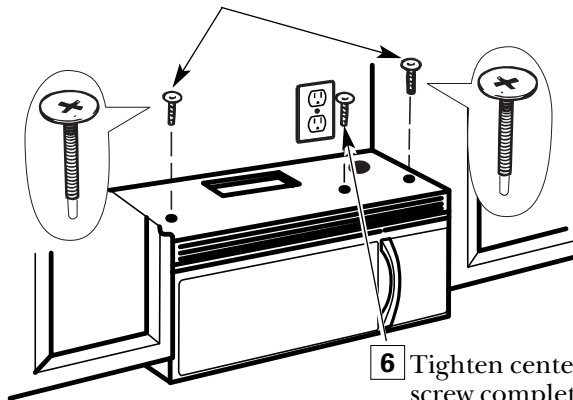
3 Insert a self-aligning screw through top center cabinet hole. Temporarily secure the oven by turning the screw at least **two full turns** after the threads have engaged. (It will be completely tightened later.) **Be sure to keep power cord tight. Be careful not to pinch the cord, especially when mounting flush to bottom of cabinet.**

Installation Instructions

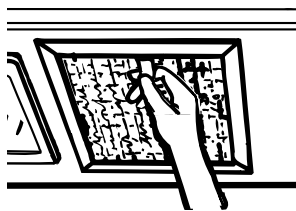


4 Attach the microwave oven to the top cabinet.

5 Insert 2 self-aligning screws through outer top cabinet holes. Turn two full turns on each screw.



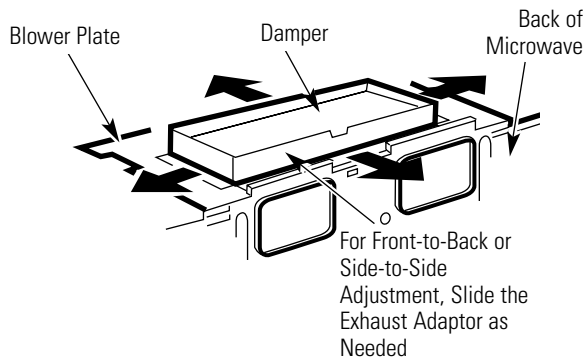
7 Tighten the outer two screws to the top of the microwave oven. (While tightening screws, hold the microwave oven in place against the wall and the top cabinet.)



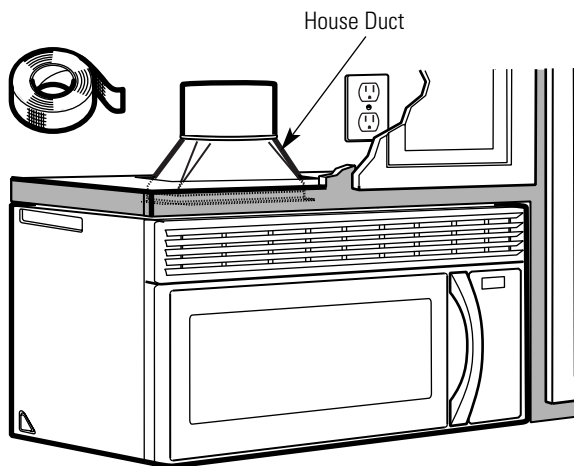
8 Install grease filters. See the Owner's Manual packed with the microwave.

A5. ADJUST THE EXHAUST ADAPTOR

Open the top cabinet and adjust the exhaust adaptor to connect to the house duct.



A6. CONNECTING DUCTWORK



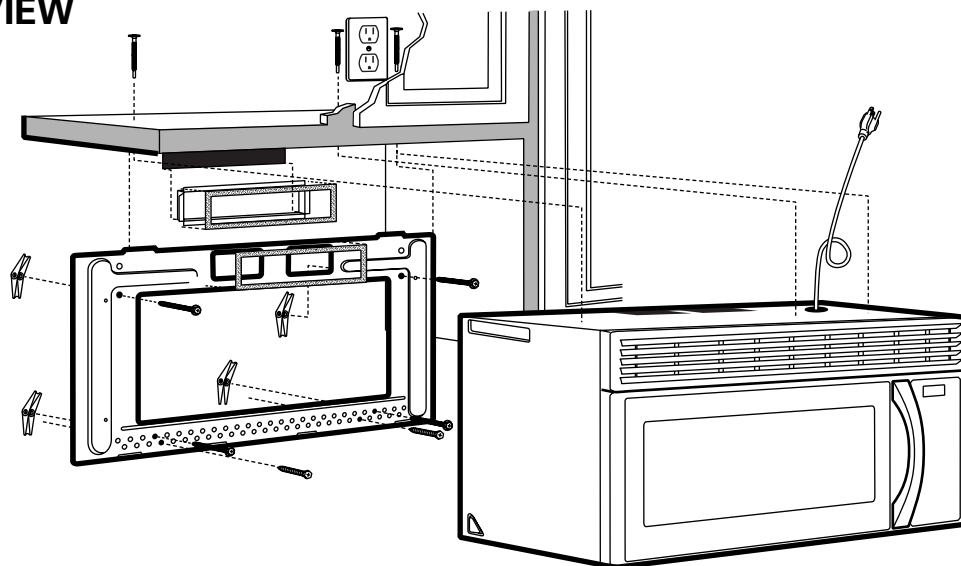
- 1** Extend the house duct down to connect to the exhaust adaptor.
- 2** Seal exhaust duct joints using duct tape.

Installation Instructions

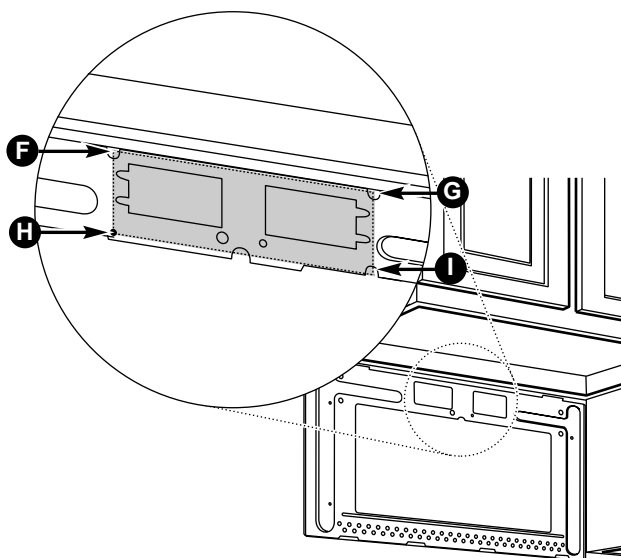
B OUTSIDE BACK EXHAUST (Horizontal Duct)

INSTALLATION OVERVIEW

- B1. Prepare Rear Wall
- B2. Attach Mounting Plate to Wall
- B3. Prepare Top Cabinet
- B4. Adjust Blower
- B5. Mount the Microwave Oven



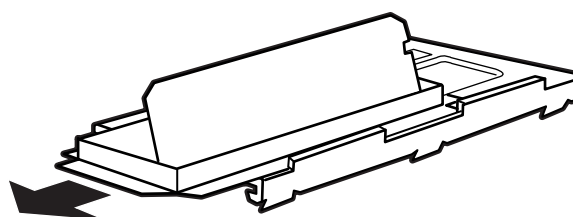
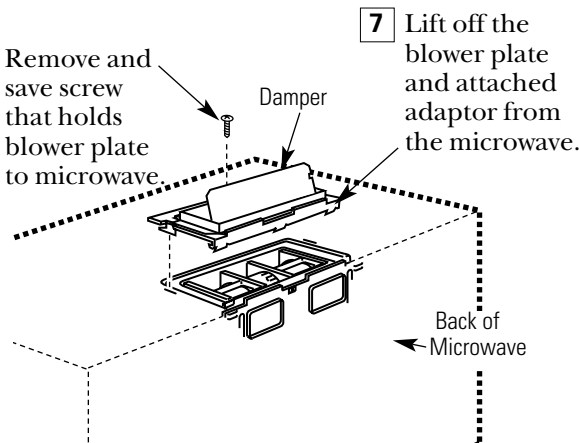
B1. PREPARING THE REAR WALL FOR OUTSIDE BACK EXHAUST



- 1 Place the mounting plate against the rear wall and align it with the holes drilled earlier.
- 2 Using a pencil, put dots through holes/notches F, G, H and I (see above illustration). Remove the mounting plate and draw lines extending through the points. This will give the location and size of the box cutout for the rear wall duct.
- 3 Use a saw (saber or keyhole) to cut out the opening.
- 4 Place the microwave in its upright position with the top of the unit facing up.

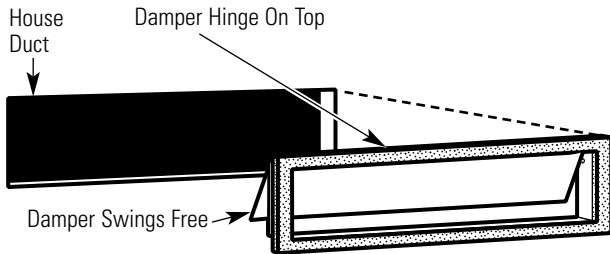
This microwave oven is shipped assembled for top exhaust. You will need the exhaust adaptor for installation in the rear wall opening. To remove the exhaust adaptor from the microwave oven:

- 5 Remove tape securing damper.
- 6 Remove and save screw that holds blower plate to microwave.
- 7 Lift off the blower plate and attached adaptor from the microwave.
- 8 Slide exhaust adaptor to one side and remove it.

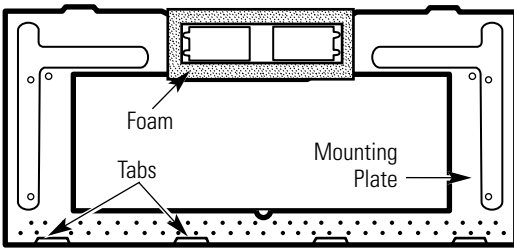


Installation Instructions

B1. PREPARING THE REAR WALL FOR OUTSIDE BACK EXHAUST (continued)

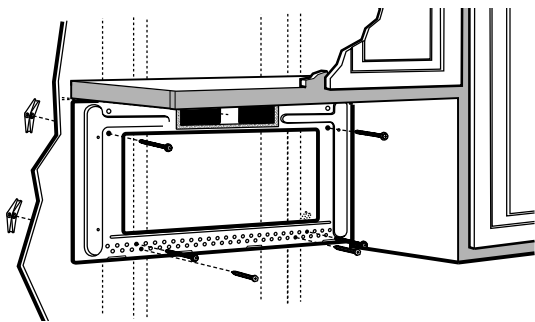


- 9 Fit the exhaust adaptor into the house duct as shown. Make sure the exhaust adaptor (with the damper) is squared up in the house duct and lines up with the holes in the mounting plate.
- 10 Remove the paper from the sticky side of the 28" (71.12 cm) foam tape. Press the sticky side onto the face of the exhaust adaptor. (Don't stretch the foam tape.)



- 11 Attach the other 28" (71.12 cm) foam tape to the front of the mounting plate around both of the exhaust openings where it will touch the microwave.

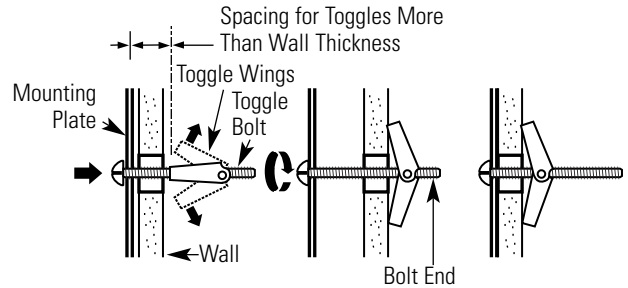
B2. ATTACH THE MOUNTING PLATE TO THE WALL



Attach the plate to the wall using toggle bolts. At least one wood screw must be used to attach the plate to a wall stud.

- 1 Remove the toggle wings from the bolts.
- 2 Insert the bolts into the mounting plate through the holes designated to go into drywall and reattach the toggle wings to $\frac{3}{4}$ " (19.05 mm) onto each bolt.

To use toggle bolts:



- 3 Place the mounting plate against the wall and insert the toggle wings into the holes in the wall to mount the plate.

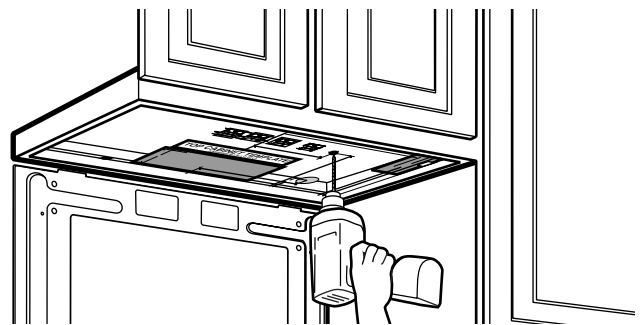
NOTE: Before tightening toggle bolts and wood screw, make sure the tabs on the mounting plate touch the bottom of the cabinet when pushed flush against the wall and that the plate is properly centered under the cabinet.

CAUTION: Be careful to avoid pinching fingers between the back of the mounting plate and the wall.

- 4 Tighten all bolts. Pull the plate away from the wall to help tighten the bolts.

B3. USE TOP CABINET TEMPLATE FOR PREPARATION OF TOP CABINET

You need to drill holes for the top support screws and a hole large enough for the power cord to fit through.



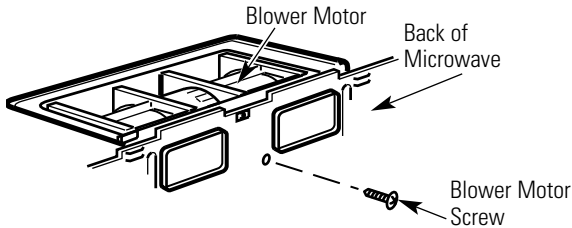
- Read the instructions on the TOP CABINET TEMPLATE.
- Tape it underneath the top cabinet.
- Drill the holes, following the instructions on the TOP CABINET TEMPLATE.

CAUTION: Wear safety goggles when drilling holes in the cabinet bottom.

Installation Instructions

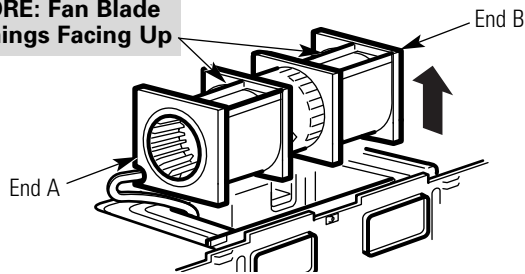
B4. ADAPTING MICROWAVE BLOWER FOR OUTSIDE BACK EXHAUST

- 1 Remove and save screw that holds blower motor to microwave.

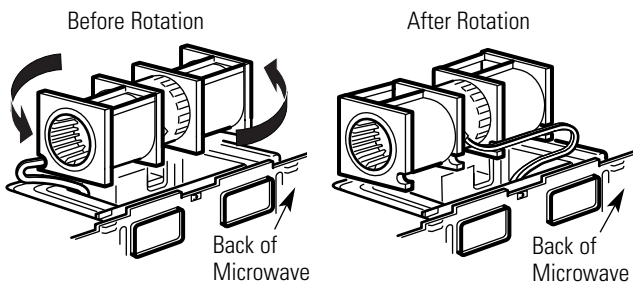


- 2 Carefully pull out the blower unit. The wires will extend far enough to allow you to adjust the blower unit.

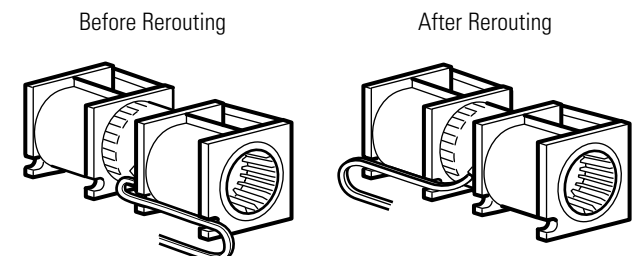
BEFORE: Fan Blade Openings Facing Up



- 3 Rotate blower unit counterclockwise 180°.



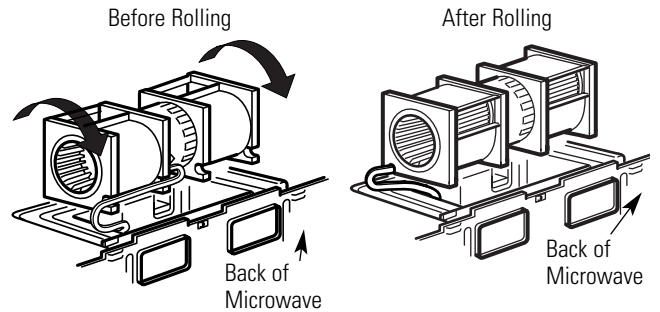
- 4 Gently remove the wires from the grooves. Reroute the wires through grooves on other side of the blower unit.



Wires Routed Through Right Side

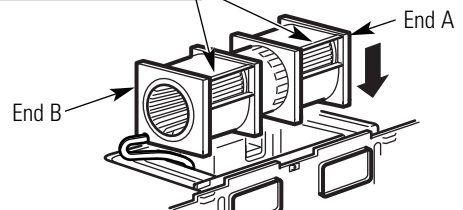
Wires Routed Through Left Side

- 5 Roll the blower unit 90° so that fan blade openings are facing out the back of the microwave.



- 6 Place the blower unit back into the opening.

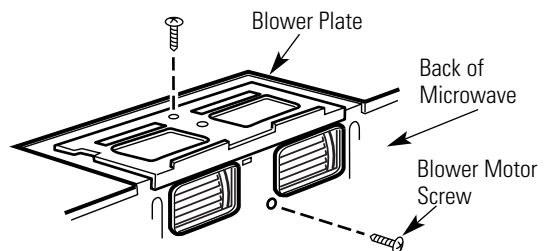
AFTER: Fan Blade Openings Facing Back



CAUTION: Do not pull or stretch the blower unit wiring. Make sure the wires are not pinched.

NOTE: The blower unit exhaust openings should match exhaust openings on rear of microwave oven.

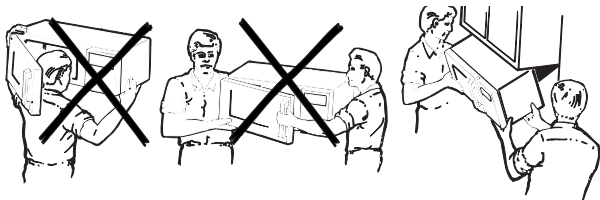
- 7 Secure the blower unit to the microwave with the screw from Step 1.



- 8 Replace the blower plate in the same position as before with the screw.

Installation Instructions

B5. MOUNT THE MICROWAVE OVEN



FOR EASIER INSTALLATION AND PERSONAL SAFETY, WE RECOMMEND THAT **TWO PEOPLE** INSTALL THIS MICROWAVE OVEN.

IMPORTANT: Do not grip or use handle during installation.

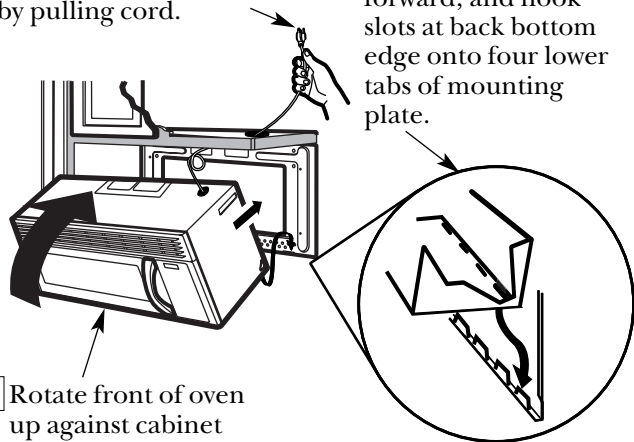
NOTE: If your cabinet is metal, use the nylon grommet around the power cord hole to prevent cutting of the cord.

NOTE: We recommend using filler blocks if the cabinet front hangs below the cabinet bottom shelf.

IMPORTANT: If filler blocks are not used, case damage may occur from over tightening screws.

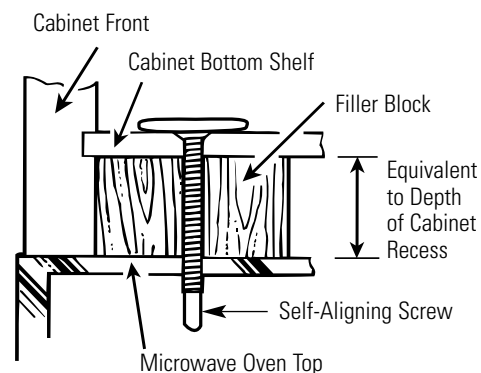
NOTE: When mounting the microwave oven, thread power cord through hole in bottom of top cabinet. Keep it tight throughout Steps 1-3. Do not pinch cord or lift oven by pulling cord.

1 Lift microwave, tilt it forward, and hook slots at back bottom edge onto four lower tabs of mounting plate.



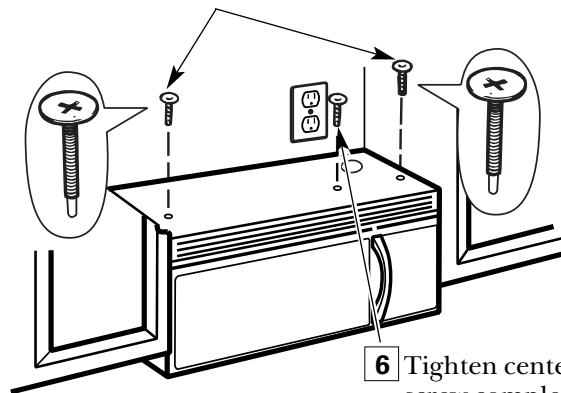
2 Rotate front of oven up against cabinet bottom.

3 Insert a self-aligning screw through top center cabinet hole. Temporarily secure the oven by turning the screw at least **two full turns** after the threads have engaged. (It will be completely tightened later.) **Be sure to keep power cord tight. Be careful not to pinch the cord, especially when mounting flush to bottom of cabinet.**



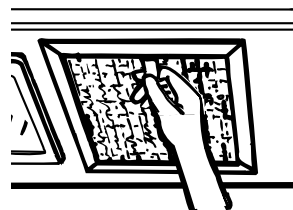
4 Attach the microwave oven to the top cabinet.

5 Insert 2 self-aligning screws through outer top cabinet holes. Turn two full turns on each screw.



6 Tighten center screw completely.

7 Tighten the outer two screws to the top of the microwave oven. (While tightening screws, hold the microwave oven in place against the wall and the top cabinet.)



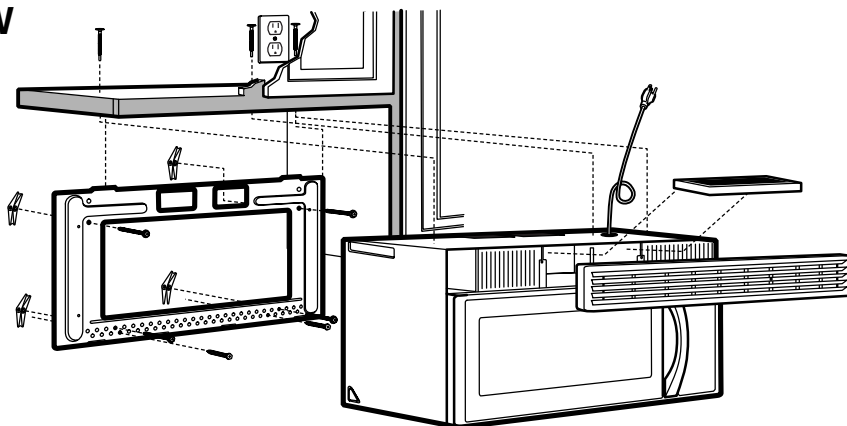
8 Install grease filters. See the Owner's Manual packed with the microwave.

Installation Instructions

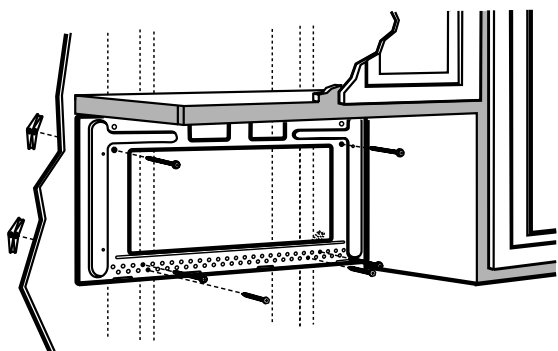
C RECIRCULATING (Non-Vented Ductless)

INSTALLATION OVERVIEW

- C1. Attach Mounting Plate to Wall
- C2. Prepare Top Cabinet
- C3. Check Microwave Assembly
- C4. Adjust Blower
- C5. Mount the Microwave Oven
- C6. Install Charcoal Filter



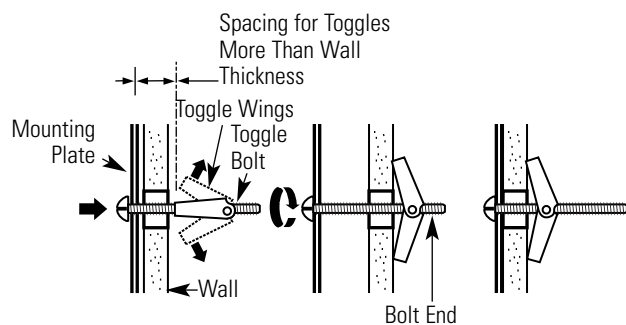
C1. ATTACH THE MOUNTING PLATE TO THE WALL



Attach the plate to the wall using toggle bolts. At least one wood screw must be used to attach the plate to a wall stud.

- 1 Remove the toggle wings from the bolts.
- 2 Insert the bolts into the mounting plate through the holes designated to go into drywall and reattach the toggle wings to $\frac{3}{4}$ " (19.05 mm) onto each bolt.

To use toggle bolts:



- 3 Place the mounting plate against the wall and insert the toggle wings into the holes in the wall to mount the plate.

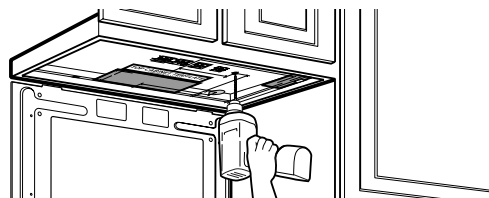
NOTE: Before tightening toggle bolts and wood screw, make sure the tabs on the mounting plate touch the bottom of the cabinet when pushed flush against the wall and that the plate is properly centered under the cabinet.

CAUTION: Be careful to avoid pinching fingers between the back of the mounting plate and the wall.

- 4 Tighten all bolts. Pull the plate away from the wall to help tighten the bolts.

C2. USE TOP CABINET TEMPLATE FOR PREPARATION OF TOP CABINET

You need to drill holes for the top support screws and a hole large enough for the power cord to fit through.



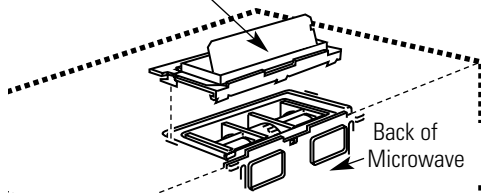
- Read the instructions on the TOP CABINET TEMPLATE.
- Tape it underneath the top cabinet.
- Drill the holes, following the instructions on the TOP CABINET TEMPLATE.

CAUTION: Wear safety goggles when drilling holes in the cabinet bottom.

Installation Instructions

C3. CHECK MICROWAVE ASSEMBLY

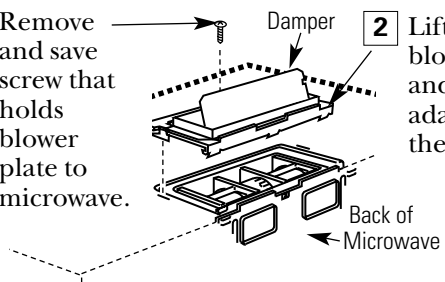
Exhaust Adaptor (absent on models shipped for recirculation exhaust)



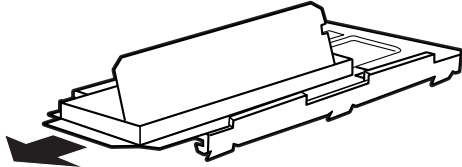
- Place the microwave in its upright position, with the top of the unit facing up.
- The microwave oven may be shipped assembled for top exhaust (adaptor installed) or for recirculation exhaust (adaptor absent).
- If the microwave was shipped for recirculation exhaust, skip to C5. If shipped for top exhaust, proceed with C4.

C4. ADAPTING MICROWAVE BLOWER FOR RECIRCULATION

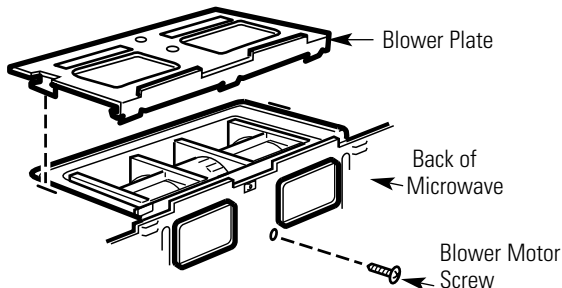
- 1** Remove and save screw that holds blower plate to microwave.
- 2** Lift off the blower plate and attached adaptor from the microwave.



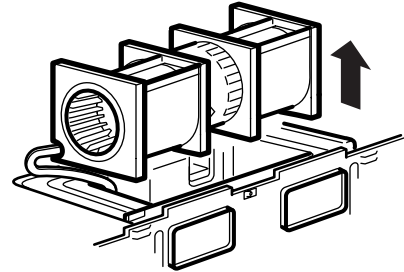
- 3** Slide exhaust adaptor to one side and remove it.
- NOTE:** The exhaust adaptor with damper is not needed for recirculating models. You may want to save them for possible future use.



- 4** Remove and save the screw that holds the blower motor to the microwave.

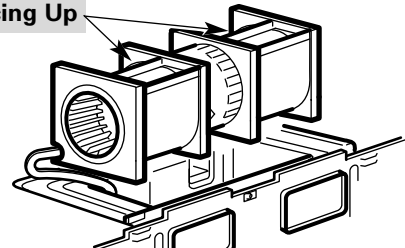


- 5** Carefully pull out the blower unit. The wires will extend far enough to allow you to adjust the blower unit.

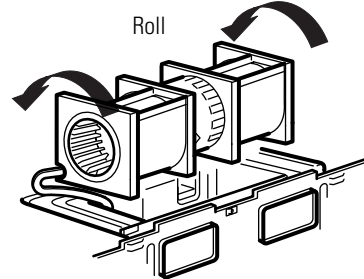


- 6** Roll the blower unit 90° so that fan blade openings are facing toward the front of the microwave.

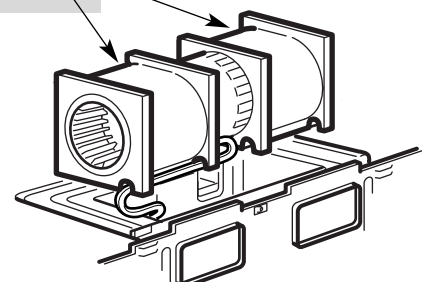
BEFORE: Fan Blade Openings Facing Up



Roll



AFTER: Fan Blade Openings Facing Forward

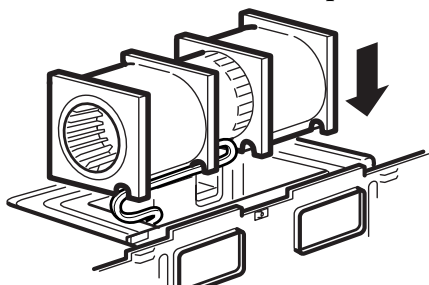


NOTE: Make sure wires remain routed in the grooves of the motor frame.

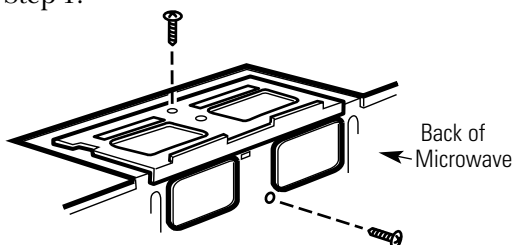
Installation Instructions

C4. ADAPTING MICROWAVE BLOWER FOR RECIRCULATION (continued)

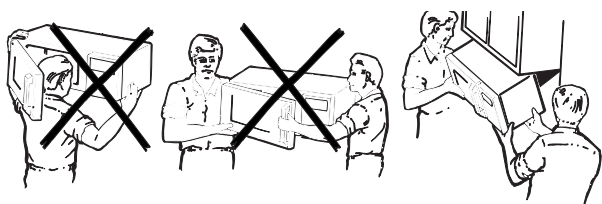
- 7 Place the blower unit back into the opening.
CAUTION: Do not pull or stretch the blower unit wiring. Make sure the wires are not pinched.



- 8 Secure blower unit to microwave with the screw removed in Step 4.
 9 Replace blower plate with the screw removed in Step 1.



C5. MOUNT THE MICROWAVE OVEN



FOR EASIER INSTALLATION AND PERSONAL SAFETY, WE RECOMMEND THAT **TWO PEOPLE** INSTALL THIS MICROWAVE OVEN.

IMPORTANT: Do not grip or use handle during installation.

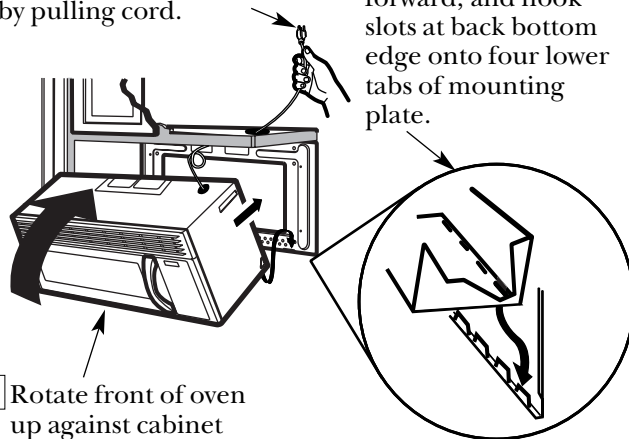
NOTE: If your cabinet is metal, use the nylon grommet around the power cord hole to prevent cutting of the cord.

NOTE: We recommend using filler blocks if the cabinet front hangs below the cabinet bottom shelf.

IMPORTANT: If filler blocks are not used, case damage may occur from over tightening screws.

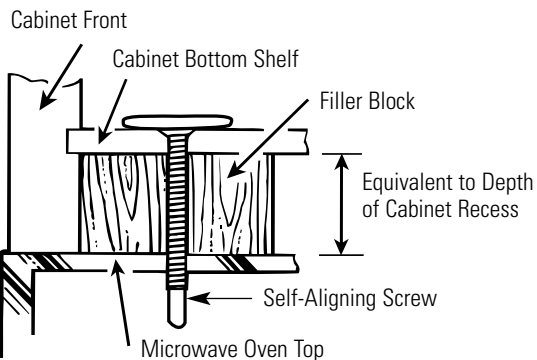
NOTE: When mounting the microwave oven, thread power cord through hole in bottom of top cabinet. Keep it tight throughout Steps 1-3. Do not pinch cord or lift oven by pulling cord.

- 1 Lift microwave, tilt it forward, and hook slots at back bottom edge onto four lower tabs of mounting plate.



- 2 Rotate front of oven up against cabinet bottom.

- 3 Insert a self-aligning screw through top center cabinet hole. Temporarily secure the oven by turning the screw at least **two full turns** after the threads have engaged. (It will be completely tightened later.) **Be sure to keep power cord tight. Be careful not to pinch the cord, especially when mounting flush to bottom of cabinet.**

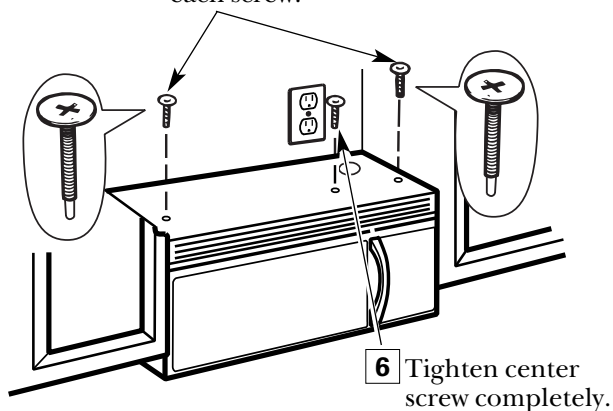


- 4 Attach the microwave oven to the top cabinet.

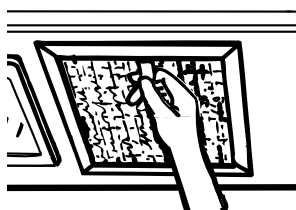
Installation Instructions

C5. MOUNT THE MICROWAVE OVEN (continued)

- 5 Insert 2 self-aligning screws through outer top cabinet holes. Turn two full turns on each screw.



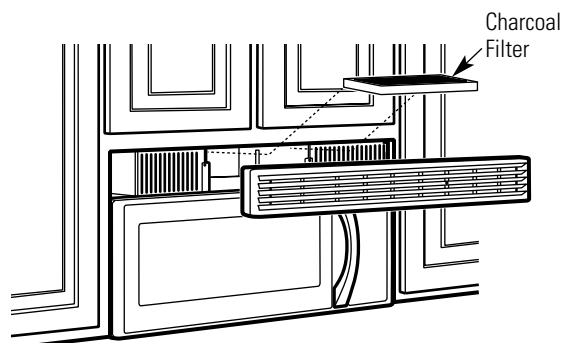
- 7 Tighten the outer two screws to the top of the microwave oven. (While tightening screws, hold the microwave oven in place against the wall and the top cabinet.)



- 8 Install grease filters. See the Owner's Manual packed with the microwave.

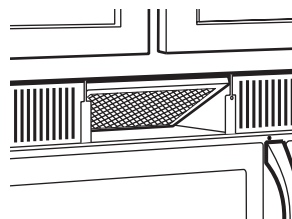
C6. INSTALLING THE CHARCOAL FILTER

- 1 Remove 2 screws on front of grille using a #1 Phillips screwdriver.
2 Open the door.
3 Remove the grille.



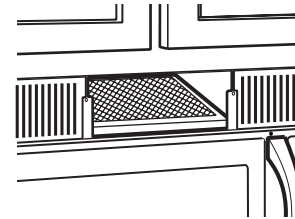
- 4 Install the charcoal filter. When properly installed, the wire mesh of the filter should be visible from the front.
5 Replace the grille and the 2 screws.
6 Close the door.

145 Series Model



Insert mesh-side down

168 Series Model



Insert mesh-side up

Installation Instructions

BEFORE YOU USE YOUR MICROWAVE

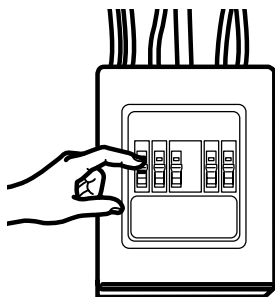
1. Make sure the microwave oven has been installed according to instructions.



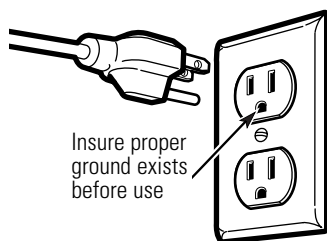
2. Remove all packing material from the microwave oven.

3. Install turntable and ring in cavity.

4. Replace house fuse or turn breaker back on.

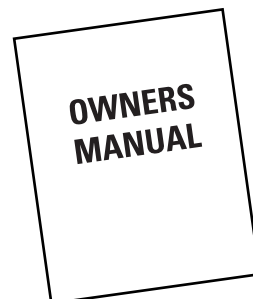


5. Plug power cord into a dedicated 15 to 20 amp electrical outlet.



Insure proper ground exists before use

6. Read the Owner's Manual.



7. KEEP INSTALLATION INSTRUCTIONS FOR THE LOCAL INSPECTOR'S USE.



164D3370P157
49-40165

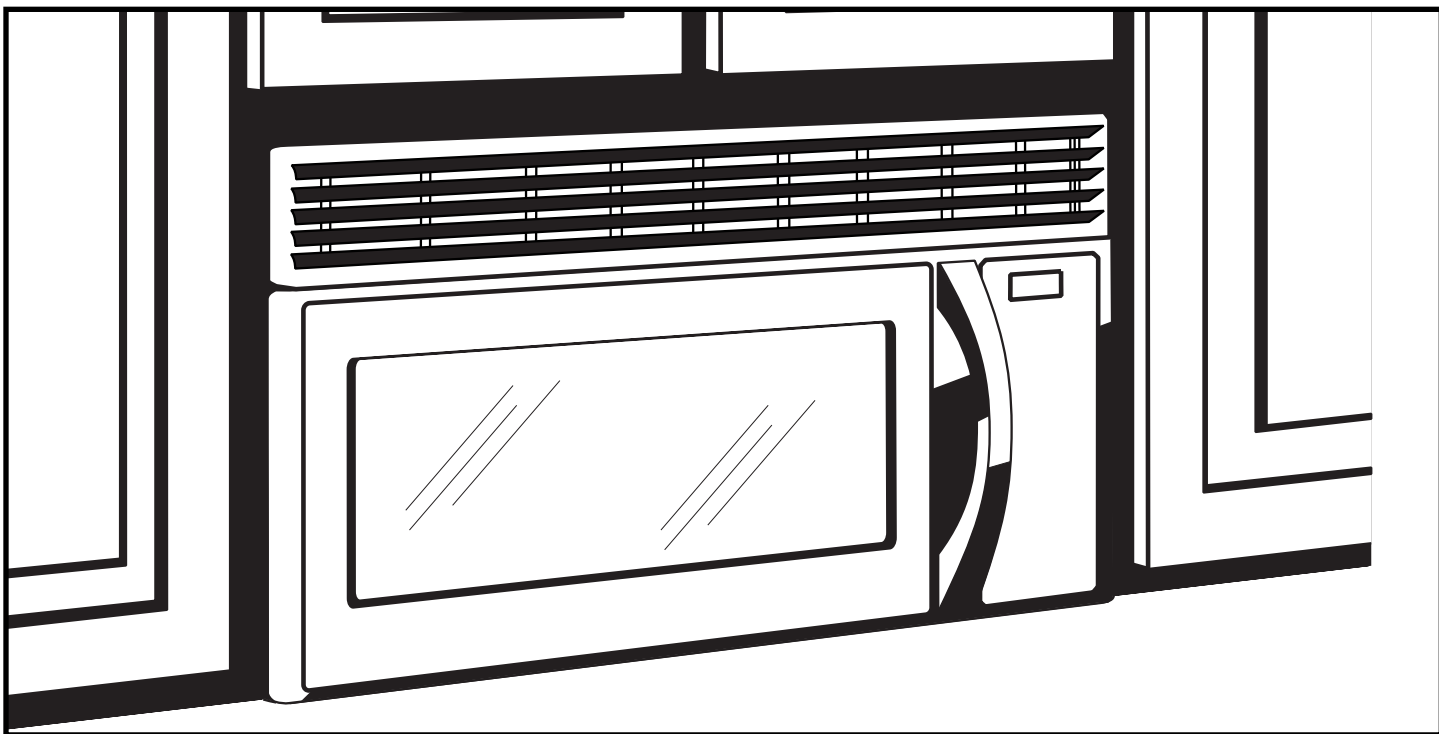
Instructions d'installation

Four à micro-ondes monté au dessus de la cuisinière

AVANT DE COMMENCER

Lisez ces instructions complètement et attentivement.

- **IMPORTANT** – Conservez ces instructions pour utilisation par l'inspecteur local.
- **IMPORTANT** – Respectez tous les codes et règlements applicables.
- **Note à l'installateur** – Assurez-vous de laisser ces instructions au client.
- **Note au client** – Conservez ces instructions pour future référence.
- **Niveau de connaissance** – L'installation de cet appareil requiert des connaissances de base en mécanique et en électricité.
- L'installateur est responsable d'effectuer une installation correcte.
- Une panne de cet appareil imputable à une installation incorrecte n'est pas couverte par la garantie.



Avez-vous besoin d'assistance?

Pour les clients résidants aux États-Unis, appelez le 1-800-944-9044

Pour les clients résidants au Canada, appelez le 1-866-213-9397 (langue anglaise)

1-800-668-4606, poste 8199 (langue française)

**LISEZ ATTENTIVEMENT
ET CONSERVEZ CES INSTRUCTIONS.**

Instructions d'installation

CONTENU

Informations générales

Instructions Importantes de Sécurité	3
Exigences en électricité	3
Évacuation de l'air hors de la hotte	4-5
Dommages – Expédition/Installation	6
Pièces incluses.....	6
Outils nécessaires	7
Espace requis pour le montage	7

Guide d'installation par étapes

Positionnement de la plaque de montage	8-10
Retrait de la plaque de montage	8
Localisation des montants du mur	8
Détermination de la position de la plaque de montage	9
Alignement de la plaque de montage mural	10
Types d'installation	11-22

A Évacuation à l'extérieur par le haut

Fixation de la plaque de montage au mur	12
Préparation du placard supérieur	13
Vérification du fonctionnement du registre	13
Montage du four à micro-ondes	13-14
Ajustement de l'adaptateur du système d'évacuation	14
Raccordement à la gaine	14

B Évacuation à l'extérieur par l'arrière

Préparation du mur arrière pour évacuation à l'extérieur par l'arrière	15-16
Fixation de la plaque de montage au mur	16
Préparation du placard supérieur	16
Montage du ventilateur du four pour évacuation à l'extérieur par l'arrière ..	17
Montage du four à micro-ondes.....	18

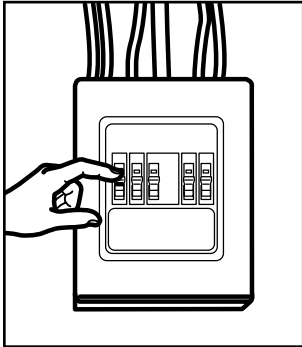
C Recirculation

Fixation de la plaque de montage au mur.....	19
Préparation du placard supérieur	19
Vérification de l'ensemble du four	20
Montage du ventilateur du four pour évacuation par recirculation	20-21
Montage du four à micro-ondes....	21-22
Montage du filtre à charbon	22
Avant d'utiliser votre four à micro-ondes	23

Instructions d'installation

INSTRUCTIONS IMPORTANTES DE SÉCURITÉ

Cet appareil nécessite une prise de courant pour trois broches avec mise à la terre. L'installateur doit effectuer un test de continuité de mise à la terre sur le boîtier de la prise de courant avant de commencer l'installation pour s'assurer que le boîtier est correctement mis à la terre. Si cela n'est pas le cas ou si le boîtier ne respecte pas les exigences en électricité spécifiées à la rubrique (EXIGENCES EN ÉLECTRICITÉ), les services d'un électricien qualifié doivent être utilisés pour rectifier toute anomalie.



ATTENTION : Pour la sécurité personnelle, retirez le fusible ou déclenchez le disjoncteur avant le début de l'installation pour éviter toute blessure sérieuse ou fatale causée par un choc électrique

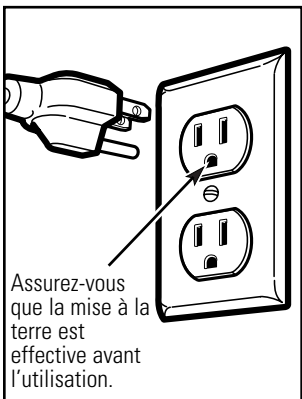
ATTENTION : Pour la sécurité personnelle, la surface utilisée pour le montage doit pouvoir supporter le poids du placard en plus du poids supplémentaire de 28.6 à 38.6 kg (ou 63 à 85 lb) de cet appareil auquel s'ajoutent un poids complémentaire jusqu'à un maximum de 22.7 kg (50 lb) placé dans le four pour un poids total de 51.3 à 61.2 kg (113 à 135 lb).

ATTENTION : Pour la sécurité personnelle, il n'est pas possible de monter cet appareil dans un placard comme celui situé sur un îlot ou une péninsule. Il doit être installé **À LA FOIS** en dessous d'un placard **ET** sur un mur.

NOTE : Pour faciliter l'installation et pour la sécurité personnelle, il est recommandé que l'installation soit effectuée par deux personnes.

IMPORTANT - VEUILLEZ LIRE ATTENTIVEMENT CE QUI SUIT. POUR LA SÉCURITÉ PERSONNELLE, CET APPAREIL DOIT ÊTRE ADÉQUATEMENT MIS À LA TERRE POUR ÉVITER UN CHOC ÉLECTRIQUE SÉRIEUX OU FATAL.

Le cordon d'alimentation de l'appareil est doté d'une prise



Assurez-vous que la mise à la terre est effective avant l'utilisation.

à trois broches (mise à la terre) qui s'adapte à une prise murale standard pour trois broches afin de minimiser la possibilité de choc électrique.

Vous devriez faire vérifier la prise murale et le circuit par un électricien qualifié pour vous assurer que la prise est correctement mise à la terre.

Si la prise murale que vous souhaitez utiliser est une prise pour deux broches, il est important que vous la fassiez remplacer par une prise à trois broches adéquatement mise à la terre qui sera montée par un électricien qualifié.

EN AUCUN CAS NE COUPEZ, DÉFORMEZ OU RETIREZ UNE DES BROCHES DU CORDON D'ALIMENTATION. N'UTILISEZ PAS L'APPAREIL AVEC UNE ALLONGE.

EXIGENCES EN ÉLECTRICITÉ

Cet appareil fonctionne sous une tension de 120 volts, 60 Hertz, 15 ampères et 1.58 kilowatts. Il doit être branché sur un circuit d'alimentation dont la tension et la fréquence sont adéquates. Les dimensions du fil doivent se conformer aux normes des Codes Nationaux d'Électricité ou à celles des codes locaux pour la puissance considérée. Le cordon d'alimentation et la prise doivent être raccordés à un circuit séparé de 15 à 20 ampères mis à la terre. Le boîtier de la prise doit être situé dans le placard au dessus du four à micro-ondes. Le boîtier de la prise et le circuit d'alimentation doivent être installés par un électricien qualifié et se conformer aux normes des Codes Nationaux d'Électricité ou à celles des codes locaux.

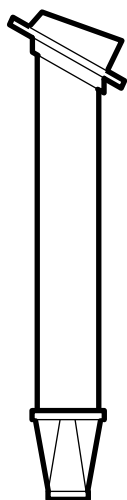
Instructions d'installation

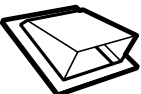


ÉVACUATION DE L'AIR HORS DE LA HOTTE

NOTE : Lisez ces prochaines deux pages seulement si vous envisagez de monter un système où l'évacuation de l'air se fait à l'extérieur. Si vous envisagez d'avoir une recirculation d'air dans la pièce, passez à la page 6.

ÉVACUATION PAR LE HAUT VERS L'EXTÉRIEUR (EXEMPLE SEULEMENT)

Le tableau suivant décrit un exemple d'une installation possible de la gaine d'évacuation.

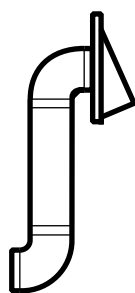


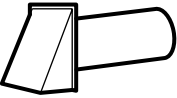


ÉLÉMENTS DE LA GAINE		LONGUEUR ÉQUIVALENTE	x	NOMBRE UTILISÉ	=	LONGUEUR ÉQUIVALENTE
	Chapeau monté sur toit	7.32 m (24 Pi.)	x	(1)	=	7.32 m (24 Pi.)
	3.66 m (12 Pi.) Gaine rectiligne (circulaire de 15.24 cm [6 po] de diamètre)	3.66 m (12 Pi.)	x	(1)	=	3.66 m (12 Pi.)
	Adaptateur* de transition rectangulaire à circulaire	1.52 m (5 Pi.)	x	(1)	=	1.52 m (5 Pi.)
Les longueurs équivalentes des éléments de gaine sont basées sur des tests réels et reflètent les critères nécessaires à une bonne évacuation avec n'importe quelle hotte.						Longueur totale = 12.50 m (41 Pi.)

***IMPORTANT** : Si un adaptateur de transition rectangulaire à circulaire est utilisé, les coins inférieurs du registre devront être formés à l'aide d'un ciseau à feuille métallique pour y être fixés de façon à permettre le libre mouvement du registre.

ÉVACUATION PAR L'ARRIÈRE VERS L'EXTÉRIEUR (EXEMPLE SEULEMENT)

Le tableau suivant décrit un exemple d'une installation possible de la gaine d'évacuation.



ÉLÉMENTS DE LA GAINE		LONGUEUR ÉQUIVALENTE*	x	NOMBRE UTILISÉ	=	LONGUEUR ÉQUIVALENTE
	Chapeau monté sur mur	12.19 m (40 Pi.)	x	(1)	=	12.19 m (40 Pi.)
	91.44 cm (3 Pi.) Gaine rectiligne (8.25 cm x 25.4 cm [3¼ po x 10 po] rectangulaire)	91.44 cm (3 Pi.)	x	(1)	=	91.44 cm (3 Pi.)
	Coude de 90°	3.05 m (10 Pi.)	x	(2)	=	6.10 m (20 Pi.)
Les longueurs équivalentes des éléments de gaine sont basées sur des tests réels et reflètent les critères nécessaires à une bonne évacuation avec n'importe quelle hotte.						Longueur totale = 19.20 m (63 Pi.)

NOTE : Pour un évacuation arrière, il faut prendre la précaution d'aligner la gaine en laissant un espace entre les montants, ou le mur doit être préparé au moment de la construction en ménageant un espace suffisant entre les montants pour loger la gaine.

Instructions d'installation

NOTE : Si vous devez installer des gaines, notez que la longueur totale de la gaine rectangulaire mesurant 8.25 cm x 25.4 cm (3¼ po x 10 po) ou circulaire de 15.2 cm (6 po) de diamètre **ne doit pas excéder 42.67 m équivalents (140 pi).**

Pour que la ventilation se fasse à l'extérieur, il faut disposer d'une GAINÉ D'ÉVACUATION DE HOTTE. Lisez attentivement ce qui suit.

NOTE : Il est important que le système d'évacuation soit installé en utilisant la voie la plus directe avec le minimum de coudes. Ceci assure une évacuation adéquate de l'air vicié et prévient tout bouchage. **De plus, assurez-vous que le mouvement des registres soit libre et qu'aucun blocage n'affecte les gaines.**

Raccord à la gaine d'évacuation :





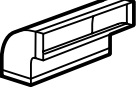
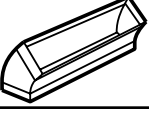
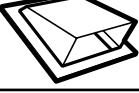

Le système d'évacuation de la hotte a été conçu pour qu'il s'adapte à une gaine rectangulaire standard de 8.25 cm x 25.4 cm (3¼ po x 10 po).

S'il est nécessaire de monter une gaine circulaire, il faut utiliser un adaptateur de transition rectangulaire à circulaire. **N'utilisez pas de gaine d'un diamètre inférieur à 15.24 cm (6 po).**

Longueur maximale de la gaine :

Pour que l'air se déplace de manière satisfaisante, le longueur totale de la gaine rectangulaire mesurant 8.25 cm x 25.4 cm (3¼ po x 10 po) ou circulaire de diamètre de 15.2 cm (6 po) **ne doit pas excéder une longueur équivalente de 42.67 m (140 pi).**

Coudes, transitions, chapeau de toit et mural, etc., ces éléments présentent une résistance additionnelle à l'écoulement de l'air et représentent l'équivalent d'une gaine rectiligne plus longue que leurs dimensions physiques réelles. Au cours du calcul de la longueur totale de la gaine, ajoutez les longueurs équivalentes de tous les éléments de transition et des adaptateurs auxquelles s'ajoute la longueur de toutes les sections rectilignes de la gaine. Le tableau ci-dessous montre comment il y a lieu de calculer la longueur totale équivalente de la gaine à l'aide de la longueur approximative équivalente de certains composants types.

ÉLÉMENTS DE LA GAINÉ		LONGUEUR ÉQUIVALENTE	x	NOMBRE UTILISÉ	=	LONGUEUR ÉQUIVALENTE
	Adaptateur* de transition rectangulaire à circulaire	1.52 m (5 Pi.)	x	()	=	m (Pi.)
	Chapeau mural	12.19 m (40 Pi.)	x	()	=	m (Pi.)
	Coude de 90°	3.05 m (10 Pi.)	x	()	=	m. (Pi.)
	Coude de 45°	1.52 m (5 Pi.)	x	()	=	m (Pi.)
	Coude de 90°	7.62 m (25 Pi.)	x	()	=	m (Pi.)
	Coude de 45°	1.52 m (5 Pi.)	x	()	=	m (Pi.)
	Chapeau de toit	7.32 m (24 Pi.)	x	()	=	m (Pi.)
	Gaine rectiligne circulaire de 15.24 cm (6 po) diamètre ou rectangulaire de 8.25 cm x 25.4 cm (3¼ po x 10 po)	30.48 cm (1 Pi.)	x	()	=	cm (Pi.)
Longueur totale de la gaine =						m (Pi.)



* **IMPORTANT:** Si un adaptateur de transition rectangulaire à circulaire est utilisé, les coins inférieurs du registre devront être formés à l'aide d'un ciseau à feuille métallique pour y être fixés

de façon à permettre le libre mouvement du registre. Les longueurs équivalentes des éléments de gaine sont basées sur des tests réels et reflètent les critères nécessaires à un bon évacuation avec n'importe quelle hotte.


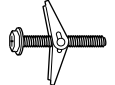



Instructions d'installation

DOMMAGES – EXPÉDITION/ INSTALLATION

- Si l'appareil a subi des dommages au cours de l'expédition, retournez-le au magasin où il a été acheté pour réparation ou remplacement.
- Si l'appareil est endommagé par le client, les réparations ou le remplacement sont à sa charge.
- Si l'appareil est endommagé par l'installateur (autre que le client), les réparations ou le remplacement doivent être effectuées conformément à l'entente conclue entre le client et l'installateur.

PIÈCES INCLUSES



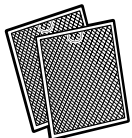
VISSERIE

PIÈCE		QUANTITÉ
	Vis à bois (1/4 po x 2 po)	2
	Boulons à ailettes (et boulons à oreilles) (3/16 po x 3 po)	4
	Boulons à auto-alignement (1/4 po-28 po x 3 1/4 po)	3
	Tube de protection en nylon (pour placards métalliques)	2
	71.12 cm (28 po) Bande de caoutchouc mousse	2

Vous trouverez toutes les pièces, vis, etc nécessaires à l'installation dans une paquet accompagnant l'appareil. Assurez-vous que vous êtes en possession de toutes ces pièces.

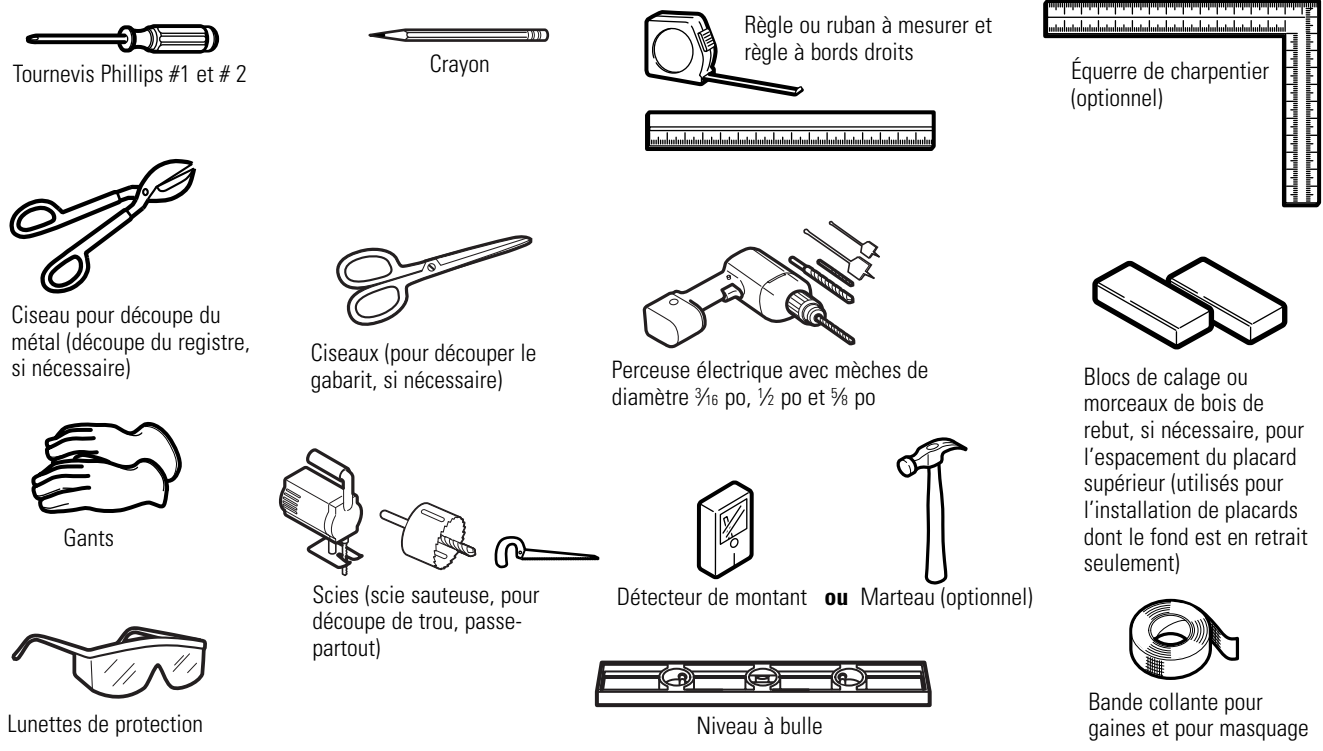
NOTE : Des pièces supplémentaires sont incluses.

PIÈCES SUPPLÉMENTAIRES

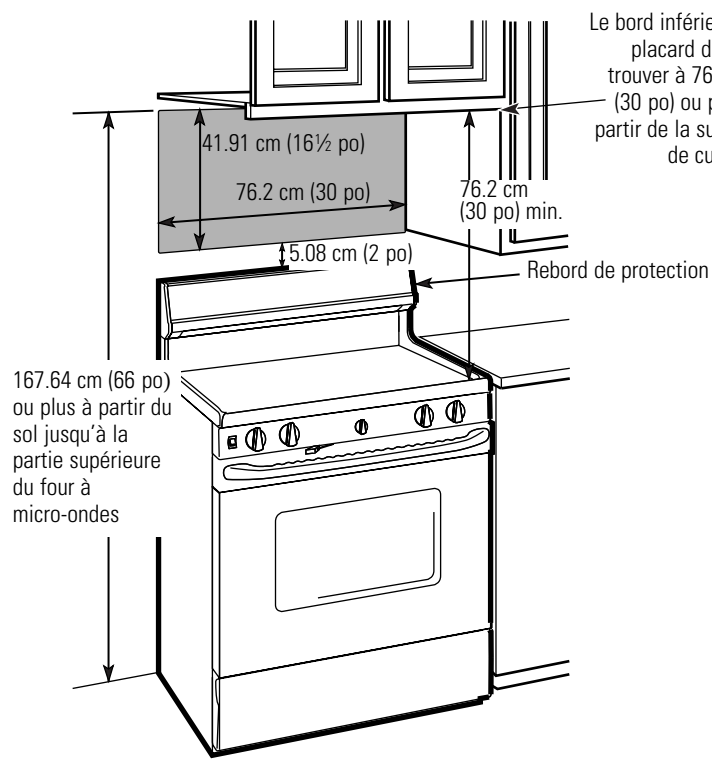
PIÈCE		QUANTITÉ
	Gabarit de la partie supérieure du placard	1
	Instructions d'installation	1
	Filtres à graisse emballés séparément	2

Instructions d'installation

OUTILLAGE NÉCESSAIRE



ESPACE REQUIS POUR LE MONTAGE



NOTES :

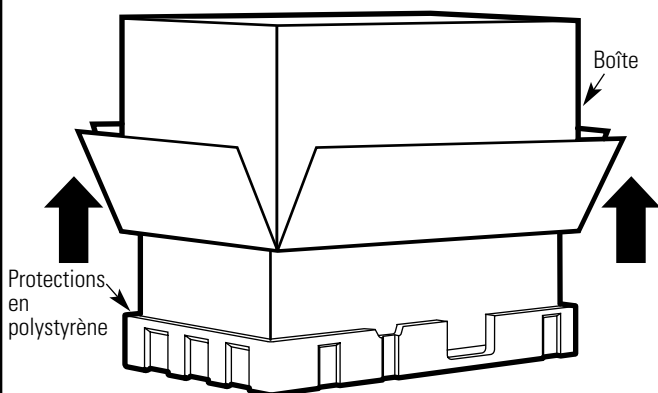
- L'espace entre les placards doit être de 76.2 cm (30 po) de largeur et ne comporter aucune obstruction.
- Si l'espace entre les placards est supérieur à 76.2 cm (30 po), une trousse contenant un élément de remplissage peut être utilisée pour combler l'espace entre le four et les placards. Votre manuel du propriétaire spécifie quel est le numéro de cette trousse pour votre modèle de four.
- Ce four à micro-ondes est prévu pour une installation au dessus d'une cuisinière dont la largeur va jusqu'à 91.44 cm (36 po).
- Si vous prévoyez effectuer l'évacuation du four à l'extérieur, référez-vous à la Section traitant de l'évacuation de la hotte pour les préparatifs de la gaine d'évacuation.
- Lorsque vous installez le four sous des placards à fond plat et lisse, prenez soin de suivre les instructions couvrant le gabarit de la partie supérieure du placard pour ménager l'espace nécessaire au cordon d'alimentation.

Instructions d'installation

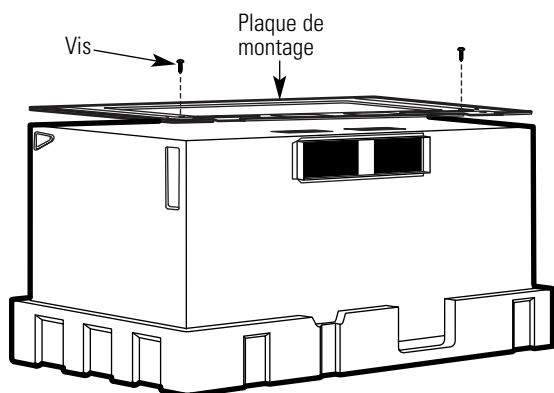
1 POSITIONNEMENT DE LA PLAQUE DE MONTAGE

A. DÉBALLAGE DU FOUR À MICRO-ONDES DE SA BOÎTE/RETRAIT DE LA PLAQUE DE MONTAGE.

- 1 Retirez les instructions, les filtres, le plateau en verre et le sac contenant les accessoires de montage. Ne retirez pas le polystyrène protégeant la partie avant du four.
- 2 Pliez les 4 rabats de la boîte contre les parois et avec précautions, faites basculer la boîte et le four pour placer l'ensemble avec la partie supérieure vers le bas. Le four devrait reposer sur le polystyrène.

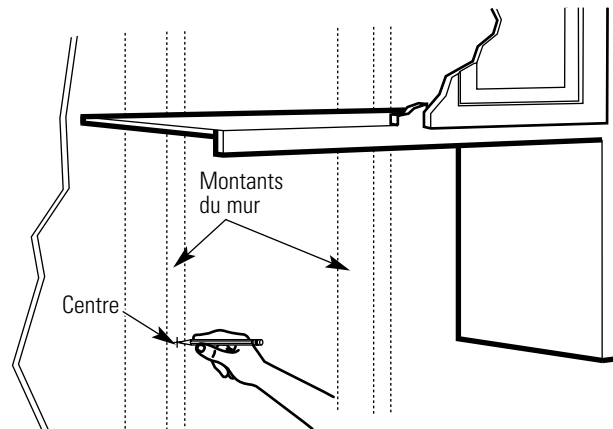


- 3 Tirez la boîte vers le haut et hors du four.
- 4 Retirez et jetez les sacs en plastique.



- 5 Retirez les 2 vis de la plaque de montage. Cette plaque sera utilisée comme gabarit arrière du mur et pour le montage du four. Vous pouvez jeter ces vis.

B. LOCALISATION DES MONTANTS DU MUR



- 1 Localisez les montants en suivant une des méthodes suivantes :
 - A. Détecteur de montant – il s'agit d'un dispositif magnétique permettant de localiser les clous.

OU

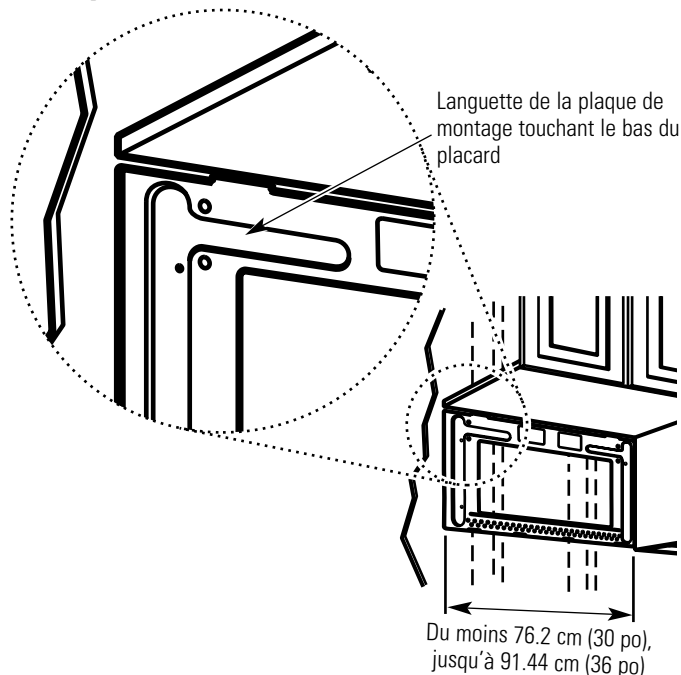
 - B. Utilisez un marteau en martelant légèrement la surface de montage jusqu'à ce qu'un bruit plein se fasse entendre. Ceci indique la présence d'un montant.
- 2 Après avoir localisé le(s) montant(s), trouvez le centre en perçant le mur avec un petit clou pour établir où sont les bords du montant. Marquez ensuite le point milieu entre les deux bords. Le centre de tout montant adjacent devrait se trouver à 40.64 cm ou 60.96 cm (16 po ou à 24 po) de ce repère.
- 3 Tirez un trait vers le bas à partir du centre des montants.

LE FOUR À MICRO-ONDES DOIT ÊTRE FIXÉ À AU MOINS UN DES MONTANTS.

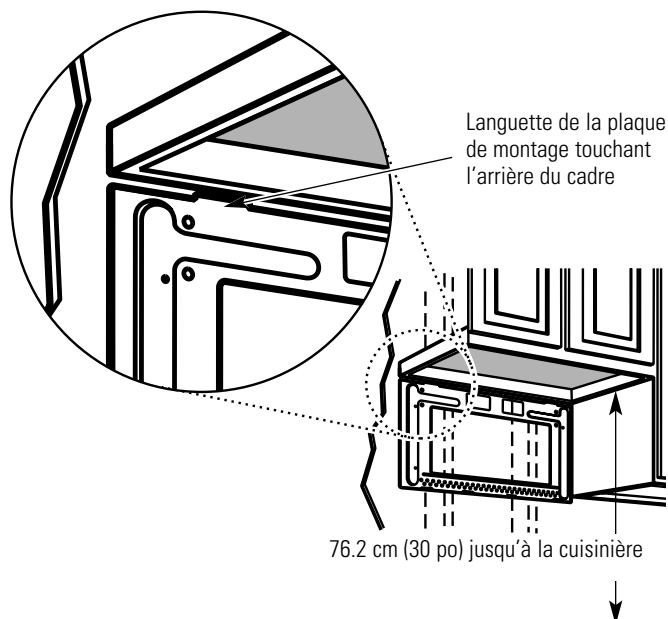
Instructions d'installation

C. DÉTERMINATION DE LA POSITION DE LA PLAQUE DE MONTAGE SOUS VOTRE PLACARD

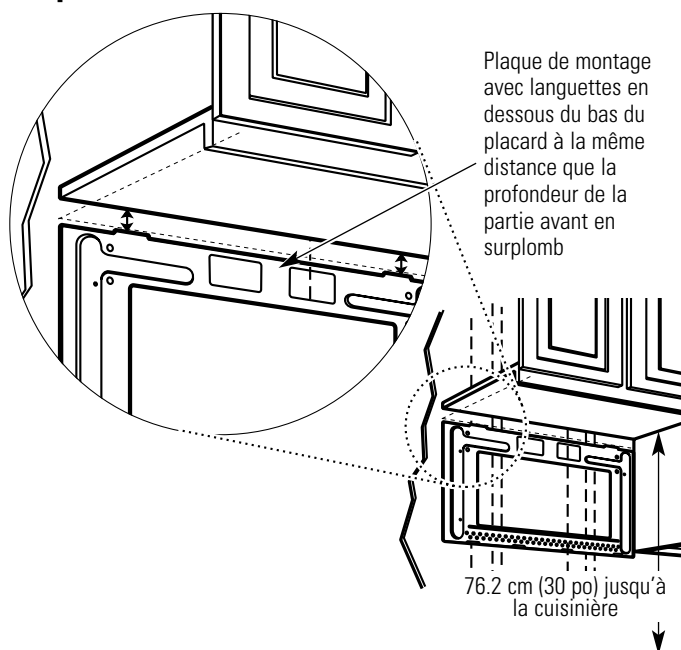
Position de la plaque – sous le placard à fond plat



Position de la plaque – sous le placard encadré à fond en retrait



Position de la plaque – sous le placard à fond en retrait avec la partie avant en surplomb



Il est possible que vos placards comportent des motifs décoratifs qui interfèrent avec l'installation du four. Retirez ces motifs pour installer le four correctement et le mettre en position horizontale.

LE FOUR DOIT ÊTRE EN POSITION HORIZONTALE.

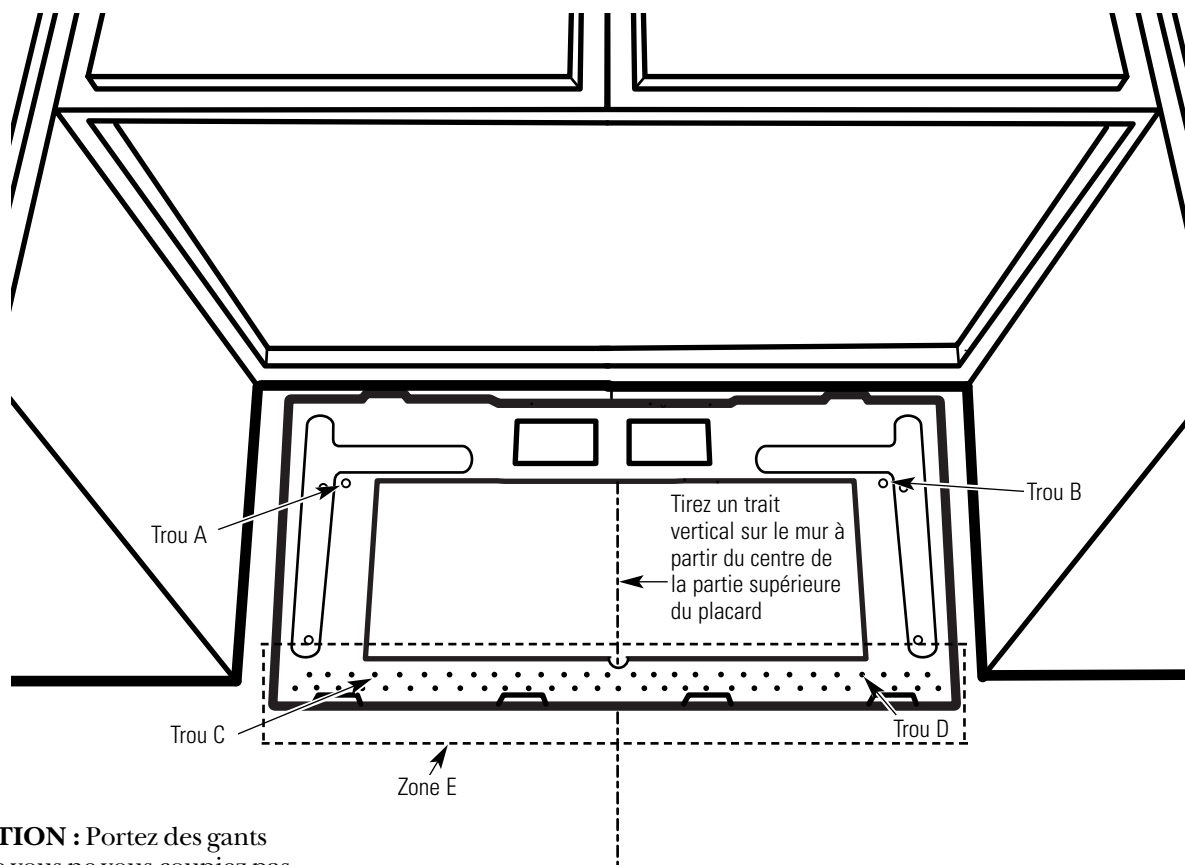
Utilisez un niveau à bulle pour vous assurer que le bas du placard est horizontal.

Si les placards ne possèdent qu'une partie avant en surplomb sans cadre arrière ou latéral, installez la plaque de montage à une distance égale à la profondeur de la partie avant en surplomb. Cette procédure maintiendra le four dans une position horizontale.

- 1 Mesurez la profondeur intérieure de la partie avant en surplomb.
- 2 Tirez une ligne horizontale sur le mur arrière à une distance égale en dessous du fond du placard à la profondeur intérieure de la partie avant en surplomb.
- 3 Pour ce type d'installation avec seulement la partie avant en surplomb, alignez les languettes de montage avec cette ligne horizontale sans toucher le bas du placard comme décrit à l'étape D.

Instructions d'installation

D. ALIGNEMENT DE LA PLAQUE DE MONTAGE MURAL



ATTENTION : Portez des gants pour que vous ne vous coupiez pas les doigts sur les bords tranchants.

- 1 Tirez un trait vertical sur le mur à partir du centre de l'espace dont la largeur est égale à 76.2 cm (30 po).
- 2 Utilisez la plaque de montage **comme gabarit** pour le mur arrière. Placez la plaque sur le mur en vous assurant que les languettes **touchent le bas du placard**. **Alignez l'encoche et la ligne centrale sur la plaque de montage avec la ligne centrale sur le mur.**
- 3 Tout en tenant la plaque de montage avec une main, faites des cercles sur le mur aux trous A, B, C et D (voyez le schéma ci-dessus/la plaque réelle repérée par des flèches). **Utilisez quatre trous pour le montage.**

NOTE : Les trous C et D sont à l'intérieur de la zone E. Si aucun des trous C ou D ne correspond à un montant, localisez un montant dans la zone E et dessinez un cinquième cercle aligné avec le montant. Il est important d'utiliser **au minimum une vis à bois solidement montée dans un montant** pour supporter le poids du four. **Mettez la plaque de montage de côté.**

- 4 Percez des trous aux endroits correspondant aux cercles. Si un montant se trouve à cet endroit, percez un trou de 3/16 po de diamètre pour y placer chaque vis à bois. Si les trous ne sont pas alignés avec un montant, percez un trou de 5/8 po de diamètre pour y monter un boulon à ailettes.

NOTE: NE MONTEZ PAS LA PLAQUE À CE STADE.

Instructions d'installation

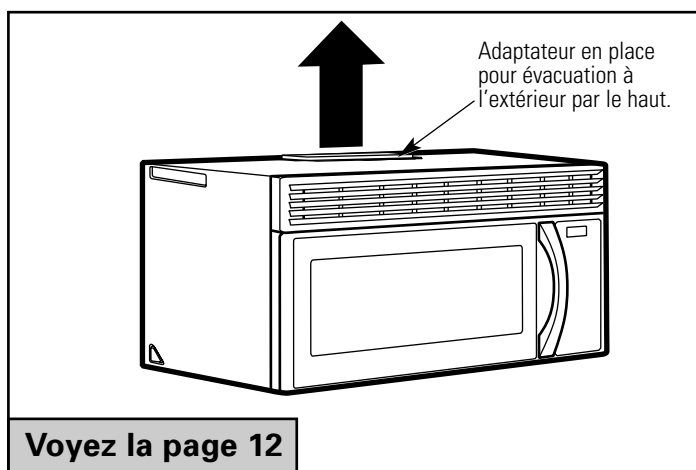
2 TYPES D'INSTALLATION (Choisissez A, B ou C)

Ce four à micro-ondes est conçu pour être adapté aux trois types de ventilation suivants :

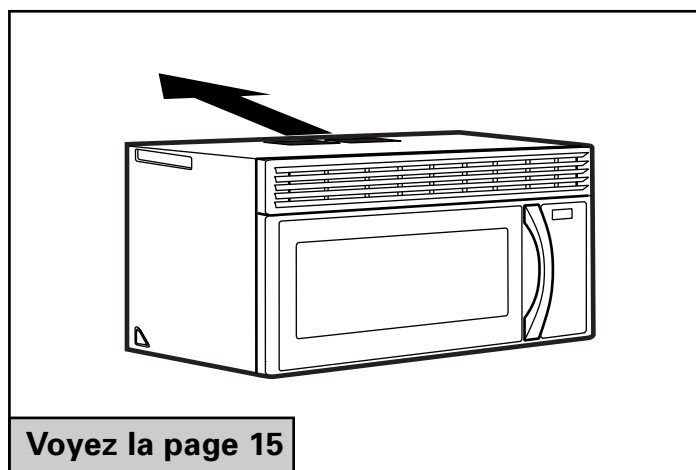
- A. Évacuation à l'extérieur par le haut (Gaine verticale)
- B. Évacuation à l'extérieur par l'arrière (Gaine horizontale)
- C. Recirculation (Pas d'évacuation)

NOTE : Ce four à micro-ondes est expédié assemblé pour une évacuation à l'extérieur par le haut (exception faite pour les modèles ne comportant pas de système d'évacuation). Choisissez le type de ventilation nécessaire à votre installation et rendez-vous à cette section.

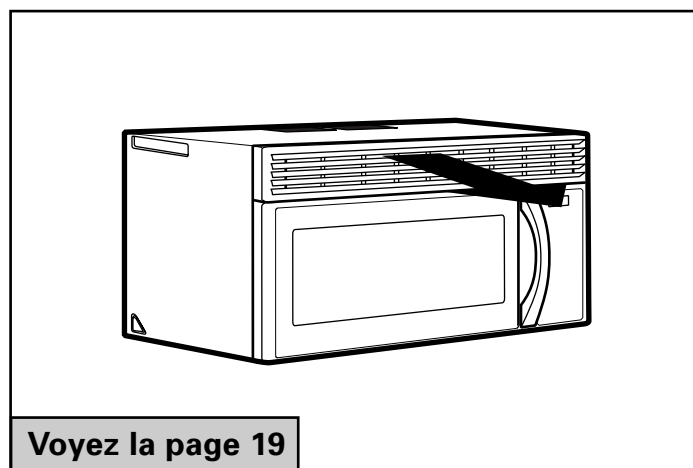
A ÉVACUATION À L'EXTÉRIEUR PAR LE HAUT (GAINE VERTICALE)



B ÉVACUATION À L'EXTÉRIEUR PAR L'ARRIÈRE (GAINE HORIZONTALE)



C RECIRCULATION (PAS D'ÉVACUATION)



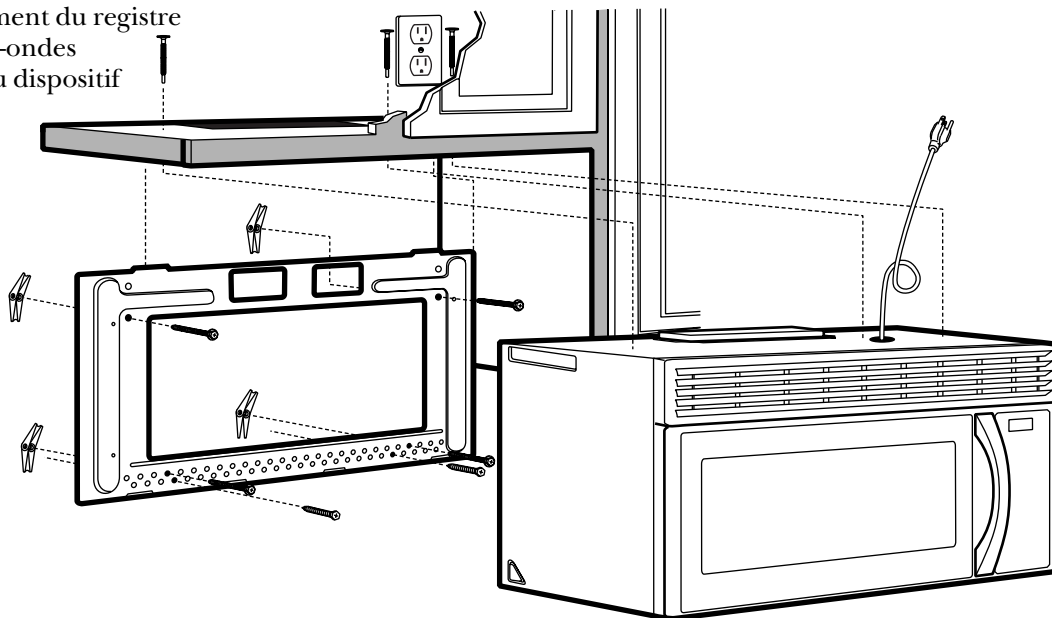
Une trousse d'accessoires contenant un filtre à charbon est requise pour un four qui ne comporte pas de système d'évacuation. (Voyez votre Manuel du propriétaire pour le numéro de la trousse).

Instructions d'installation

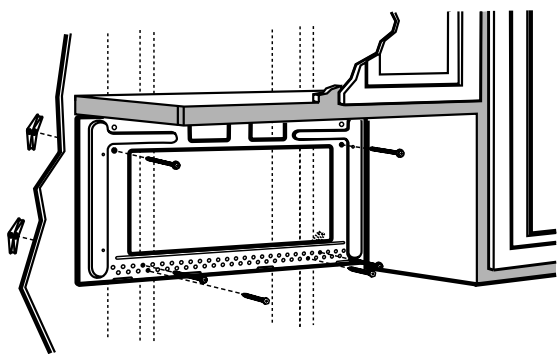
A ÉVACUATION À L'EXTÉRIEUR PAR LE HAUT (Gaine verticale)

APERÇU DE L'INSTALLATION

- A1. Fixez la plaque de montage au mur
- A2. Préparez le placard supérieur
- A3. Vérifiez le fonctionnement du registre
- A4. Montez le four à micro-ondes
- A5. Ajustez l'adaptateur du dispositif d'évacuation
- A6. Raccordez les gaines



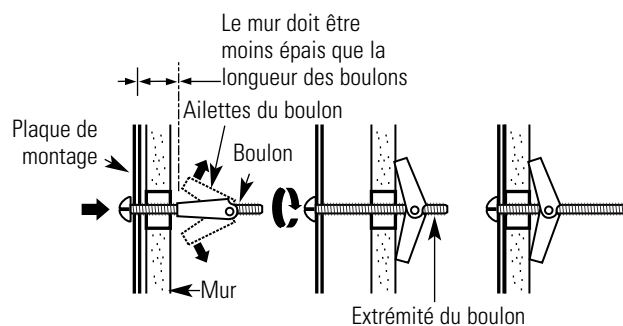
A1. FIXEZ LA PLAQUE DE MONTAGE AU MUR



Fixez la plaque au mur à l'aide des boulons à ailettes. Un minimum de une vis à bois doit être utilisée pour le montage de la plaque sur un montant du mur.

- 1 Dévissez les écrous à ailettes des boulons.
- 2 Insérez les boulons dans la plaque de montage par les trous prévus pour que les boulons passent dans le mur au placoplâtre et revissez les écrous à ailettes dans chaque boulon de dimensions 19.05 mm (3/4 po).

Utilisation des boulons à ailettes :



- 3 Placez la plaque de montage contre le mur et insérez les ailettes du boulon dans les trous faits dans le mur afin de monter la plaque.

NOTE : Avant de serrer les boulons et les vis à bois, assurez-vous que les languettes de la plaque de montage touchent le bas du placard lorsque la plaque est placée de niveau contre le mur et que la plaque est correctement centrée sous le placard.

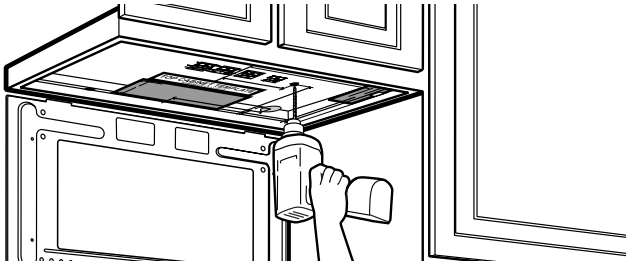
ATTENTION : Faites attention de ne pas vous pincer les doigts entre la partie arrière de la plaque de montage et le mur.

- 4 Serrez tous les boulons. Tirez sur la plaque pour faciliter le serrage des boulons.

Instructions d'installation

A2. UTILISATION DU GABARIT DU PLACARD SUPÉRIEUR POUR PRÉPARER LE PLACARD

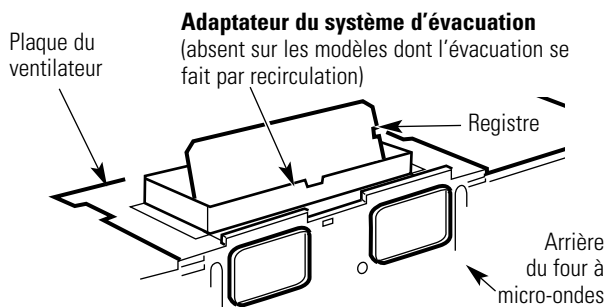
Vous devez percer des trous pour les vis du support supérieur ainsi qu'un trou suffisamment grand pour pouvoir y faire passer le cordon d'alimentation et un autre trou suffisamment grand pour l'adaptateur du système d'évacuation.



- Lisez les instructions concernant le GABARIT DU PLACARD SUPÉRIEUR.
- Fixez le gabarit sous la partie supérieure du placard à l'aide d'une bande collante.
- Percez les trous en suivant les instructions concernant le GABARIT DU PLACARD SUPÉRIEUR.

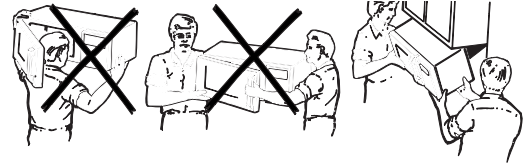
ATTENTION : Portez des lunettes de protection lorsque vous percez les trous.

A3. VÉRIFICATION DU FONCTIONNEMENT DU REGISTRE



- Placez le four en position verticale, la partie supérieure faisant face vers le haut.
- Il est possible que ce four ait été expédié assemblé pour une évacuation de l'air par le haut (adaptateur installé) ou pour une évacuation par recirculation (adaptateur absent).
- **Assurez-vous que la bande de protection du registre a été enlevée et que le registre pivote librement avant d'installer le four.**
- Il sera nécessaire que vous fassiez des ajustements afin d'assurer un alignement adéquat avec la gaine d'évacuation de votre maison après l'installation du four.

A4. MONTAGE DU FOUR À MICRO-ONDES



POUR FACILITER L'INSTALLATION ET POUR VOTRE SÉCURITÉ PERSONNELLE, NOUS RECOMMANDONS QUE L'INSTALLATION SOIT EFFECTUÉE PAR DEUX PERSONNES.

IMPORTANT : N'agrippez pas et n'utilisez pas la poignée au cours de l'installation.

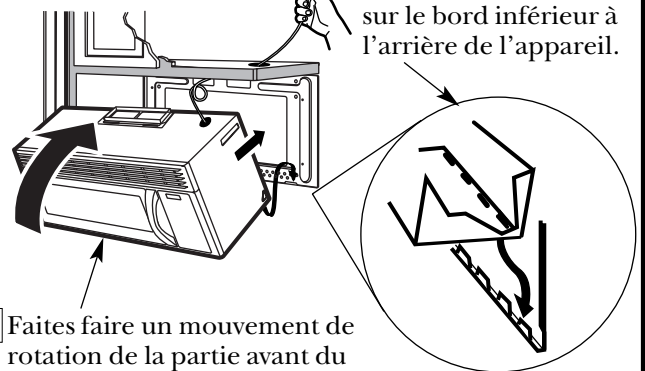
NOTE : Si votre placard est métallique, utilisez le tube de protection en nylon pour le cordon d'alimentation afin d'empêcher de couper celui-ci.

NOTE : Nous recommandons l'utilisation de blocs de calage si l'avant du placard dépasse l'étagère de support du placard.

IMPORTANT : Si les blocs ne sont pas utilisés, il est possible d'endommager l'ensemble par serrage excessif des vis.

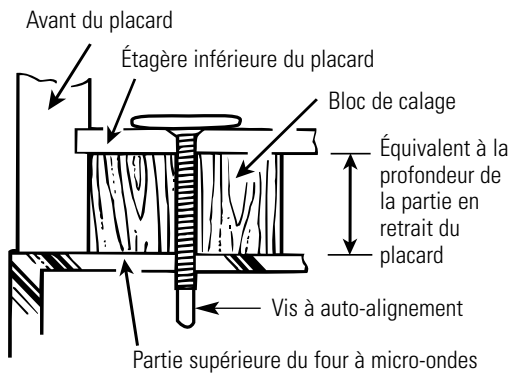
NOTE : Lors de l'installation du four, faites passer le cordon d'alimentation au travers du trou ménagé dans la partie inférieure du haut du placard. Gardez le cordon tendu au cours des étapes 1 à 3. Ne pincez pas le cordon et ne soulevez pas le four en tirant dessus.

- 1** Levez le four, penchez-le vers l'avant et insérez les quatre languettes inférieures de la plaque de montage dans les encoches se trouvant sur le bord inférieur à l'arrière de l'appareil.



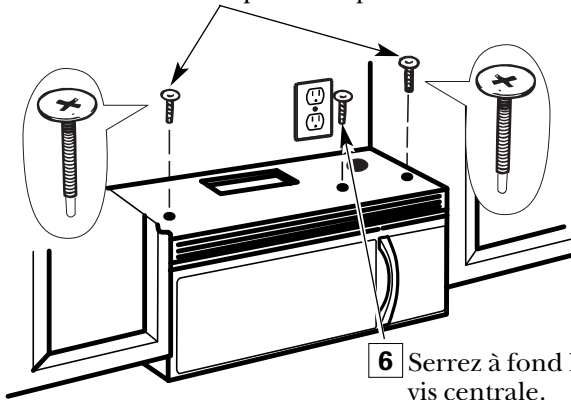
- 2** Faites faire un mouvement de rotation de la partie avant du four contre le bas du placard.
- 3** Insérez une vis à auto-alignement dans le trou situé au centre de la partie supérieure du placard. Fixez temporairement le four en tournant la vis (minimum **deux tours complets**) après l'engagement de son filetage. (le vissage final sera fait par la suite). **Assurez-vous de garder le cordon tendu. Faites attention de ne pas pincer le cordon plus particulièrement lorsque le montage sur la partie inférieure du placard se fait dans le profil.**

Instructions d'installation

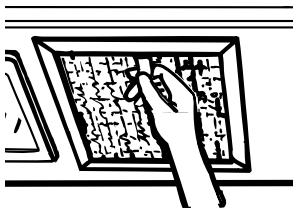


4 Montez le four sur le placard supérieur.

5 Insérez 2 vis à auto-alignement dans les trous extérieurs ménagés dans le placard supérieur. Faites deux tours de vis pour chaque vis.



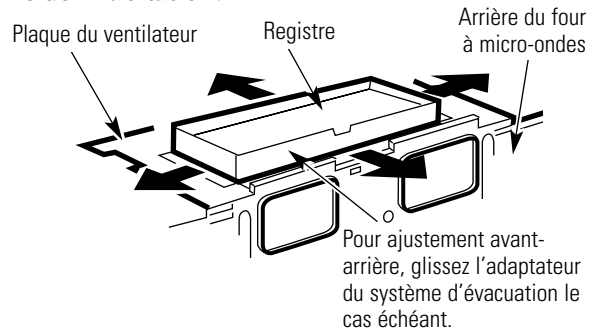
7 Serrez les vis extérieures montées sur le haut du four. (Pendant cette opération, maintenez le four en place contre le mur et le placard supérieur).



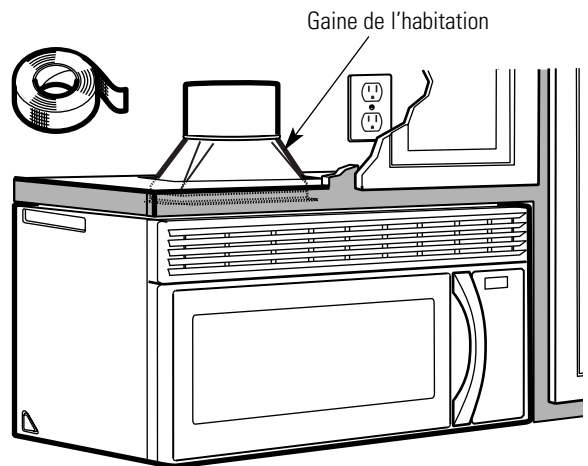
8 Montez les filtres à graisse. Voyez le Manuel du propriétaire accompagnant le four à micro-ondes.

A5. AJUSTEMENT DE L'ADAPTATEUR DU SYSTÈME D'ÉVACUATION

Ouvrez le placard supérieur et ajustez l'adaptateur du système d'évacuation pour un raccordement à la gaine de l'habitation.



A6. RACCORDEMENT À LA GAINÉ



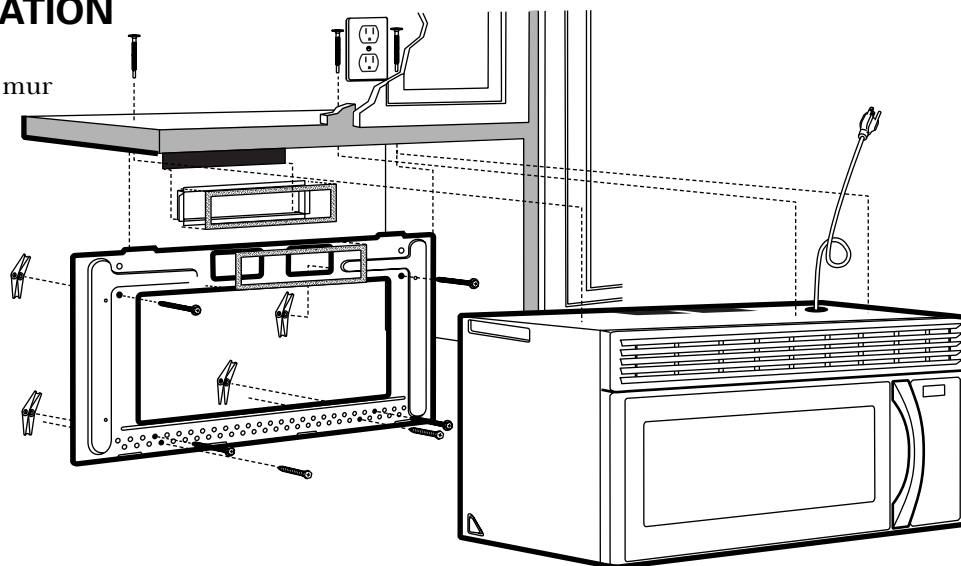
- 1** Ajustez la gaine afin d'assurer le raccordement avec l'adaptateur du système d'évacuation.
- 2** Scellez les joints de la gaine d'évacuation avec le ruban prévu à cet effet.

Instructions d'installation

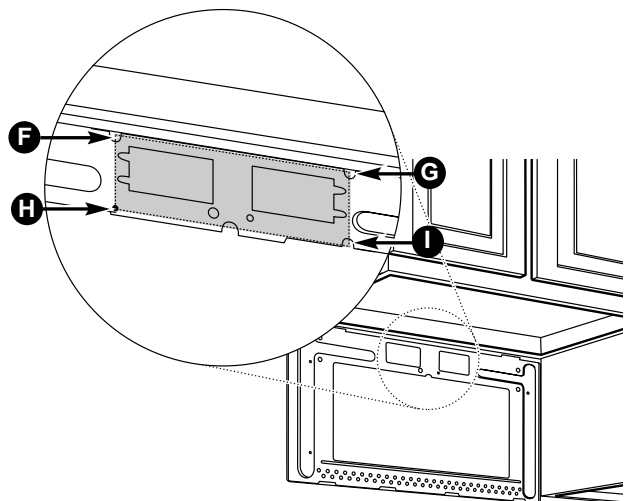
B ÉVACUATION À L'EXTÉRIEUR PAR L'ARRIÈR (Gaine horizontale)

APERÇU DE L'INSTALLATION

- B1. Préparez le mur arrière
- B2. Fixez la plaque de montage au mur
- B3. Préparez le placard supérieur
- B4. Ajustez le ventilateur
- B5. Montez le four à micro-ondes



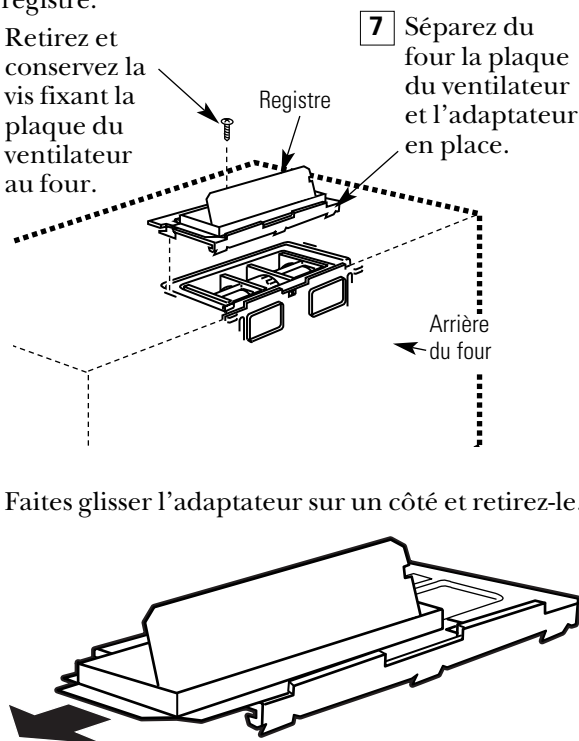
B1. PRÉPARATION DU MUR ARRIÈRE POUR ÉVACUATION À L'EXTÉRIEUR PAR L'ARRIÈRE



- 1 Placez la plaque de montage contre le mur arrière et alignez-la avec les trous qui ont été percés précédemment.
- 2 Avec un crayon, marquez un point à l'intérieur des trous/encoches F, G, H et I (voyez le schéma ci-dessus). Retirez la plaque de montage et joignez les points par des lignes. Cette procédure vous donnera la position et la dimension de l'orifice à percer pour la gaine du mur arrière.
- 3 Utilisez une scie (sauteuse ou pour découpe de trou de serrure) pour faire l'ouverture.
- 4 Placez le four dans la position verticale, la partie supérieure faisant face vers le haut.

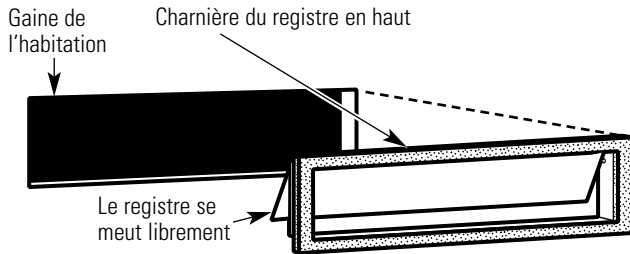
Ce four est expédié assemblé pour un système d'évacuation vers le haut. Vous aurez besoin d'un adaptateur pour système d'évacuation pour pouvoir effectuer l'installation dans l'ouverture faite dans le mur arrière. Pour retirer l'adaptateur du four :

- 5 Retirez la bande utilisée pour la fixation du registre.
- 6 Retirez et conservez la vis fixant la plaque du ventilateur au four.
- 7 Séparez du four la plaque du ventilateur et l'adaptateur en place.
- 8 Faites glisser l'adaptateur sur un côté et retirez-le.



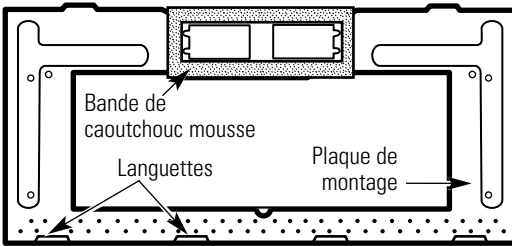
Instructions d'installation

B1. PRÉPARATION DU MUR ARRIÈRE POUR ÉVACUATION PAR L'ARRIÈRE (suite)



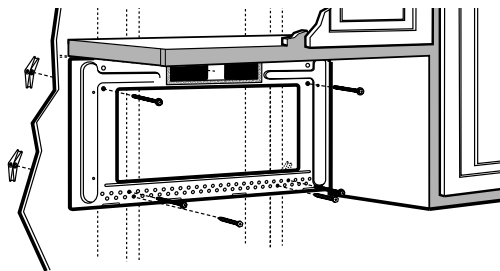
9 Montez l'adaptateur du système d'évacuation dans la gaine comme illustré. Assurez-vous que l'adaptateur (et le registre) est bien inséré dans la gaine et qu'il est aligné avec les trous de la plaque de montage.

10 Retirez le papier protecteur de la bande de caoutchouc mousse mesurant 71.12 cm (28 po). Appliquez le côté collant sur la surface de l'adaptateur. (N'étirez pas la bande).



11 Apposez la seconde bande de caoutchouc mousse de 71.12 cm (28 po) sur l'avant de la plaque de montage autour des deux ouvertures de l'orifice d'évacuation à l'endroit où la plaque touche le four.

B2. FIXATION DE LA PLAQUE DE MONTAGE AU MUR

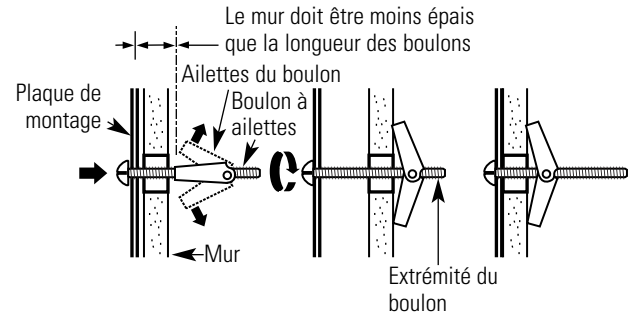


Fixez la plaque au mur à l'aide des boulons à ailettes. Un minimum de une vis à bois doit être utilisée pour le montage de la plaque sur un montant du mur.

1 Dévissez l'écrou à ailettes des boulons.

2 Insérez les boulons dans la plaque de montage par les trous prévus pour que les boulons passent dans le mur au placoplâtre et revissez les écrous à ailettes dans chaque boulon de dimensions 19.05 mm (3/4 po).

Utilisation des boulons à ailettes:



3 Placez la plaque de montage contre le mur et insérez les ailettes du boulon dans les trous faits dans le mur afin de monter la plaque.

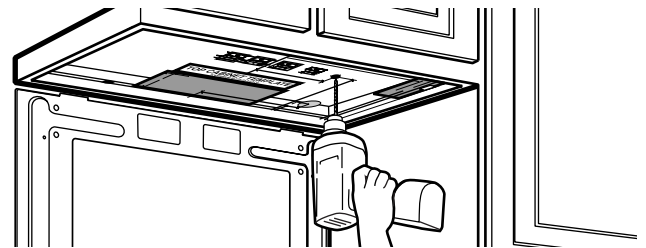
NOTE : Avant de serrer les boulons et les vis à bois, assurez-vous que les languettes de la plaque de montage touchent le bas du placard lorsque poussée de niveau contre le mur et que la plaque est correctement centrée sous le placard.

ATTENTION : Faites attention de ne pas vous pincer les doigts entre la partie arrière de la plaque de montage et le mur.

4 Serrez tous les boulons. Tirez sur la plaque pour faciliter le serrage des boulons.

B3. UTILISATION DU GABARIT DU PLACARD SUPÉRIEUR POUR PRÉPARER LE PLACARD

Vous devez percer des trous pour les vis du support supérieur ainsi qu'un trou suffisamment grand pour pouvoir y faire passer le cordon d'alimentation et un autre trou suffisamment grand pour l'adaptateur du système d'évacuation.



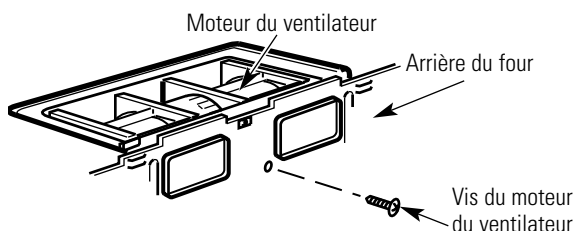
- Lisez les instructions concernant le GABARIT DU PLACARD SUPÉRIEUR.
- Fixez le gabarit sous la partie supérieure du placard à l'aide d'une bande collante.
- Percez les trous en suivant les instructions concernant le GABARIT DU PLACARD SUPÉRIEUR.

ATTENTION : Portez des lunettes de protection lorsque vous percez les trous.

Instructions d'installation

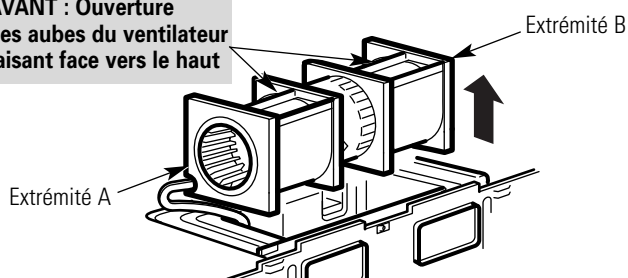
B4. MONTAGE DU VENTILATEUR DU FOUR POUR ÉVACUATION À L'EXTÉRIEUR PAR L'ARRIÈRE

- 1** Retirez et gardez la vis fixant le moteur du ventilateur au four.



- 2** Retirez avec précaution l'ensemble du ventilateur. Les fils sont suffisamment longs pour vous permettre d'ajuster cet ensemble.

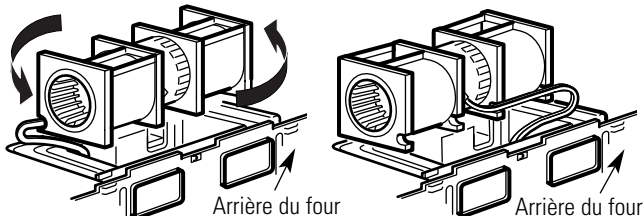
AVANT : Ouverture des aubes du ventilateur faisant face vers le haut



- 3** Tournez l'ensemble du ventilateur sur 180° dans le sens anti-horaire.

Avant la rotation

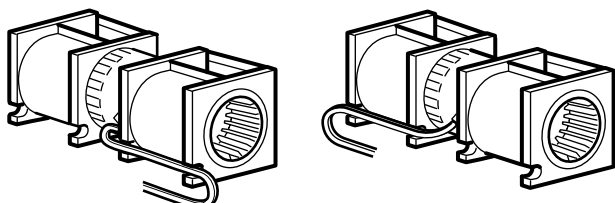
Après la rotation



- 4** Retirez avec précaution les fils des rainures. Réacheminez les fils au travers des rainures de l'autre côté de l'ensemble du ventilateur.

Avant le réacheminement

Après le réacheminement



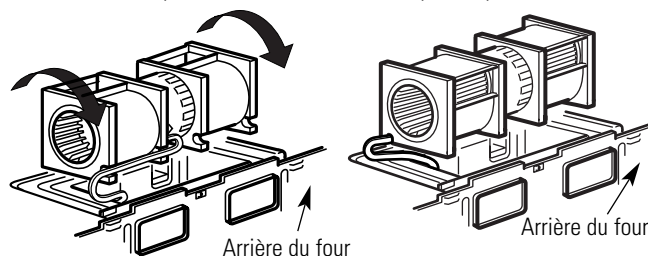
Fils acheminés par le côté droit

Fils acheminés par le côté gauche

- 5** Faites pivoter l'ensemble du ventilateur sur 90° de façon à ce que les ouvertures des aubes font face à l'arrière du four.

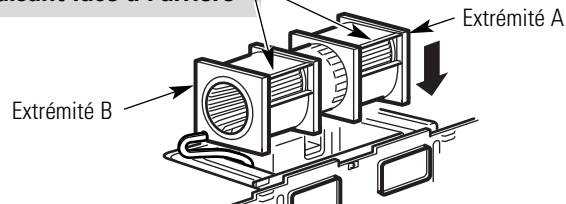
Avant le pivotement

Après le pivotement



- 6** Remplacez l'ensemble du ventilateur dans l'ouverture.

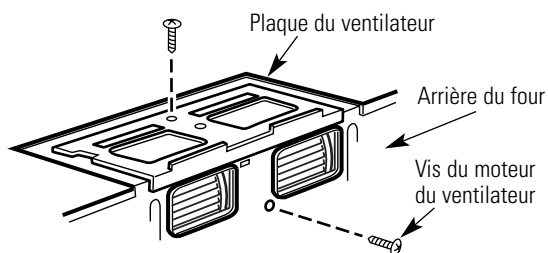
APRÈS : Ouverture des aubes du ventilateur faisant face à l'arrière



ATTENTION : Ne tirez pas sur ou n'étirez pas le câblage de l'ensemble du ventilateur. Assurez-vous que les fils ne sont pas pincés.

NOTE : Les ouvertures d'évacuation de l'ensemble du ventilateur doivent être en regard des ouvertures d'évacuation se trouvant à l'arrière du four.

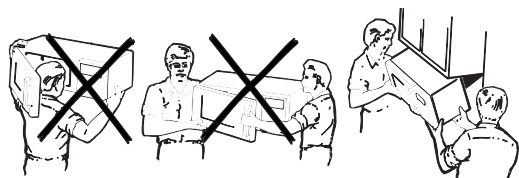
- 7** Fixez l'ensemble du ventilateur au four à l'aide de la vis mentionnée à l'étape 1.



- 8** Remettez la plaque du ventilateur dans la même position qu'elle occupait auparavant et remettez la vis en place.

Instructions d'installation

B5. MONTAGE DU FOUR À MICRO-ONDES



POUR FACILITER L'INSTALLATION ET POUR VOTRE SÉCURITÉ PERSONNELLE, NOUS RECOMMANDONS QUE L'INSTALLATION SOIT EFFECTUÉE PAR DEUX PERSONNES.

IMPORTANT : N'agrippez pas et n'utilisez pas la poignée au cours de l'installation.

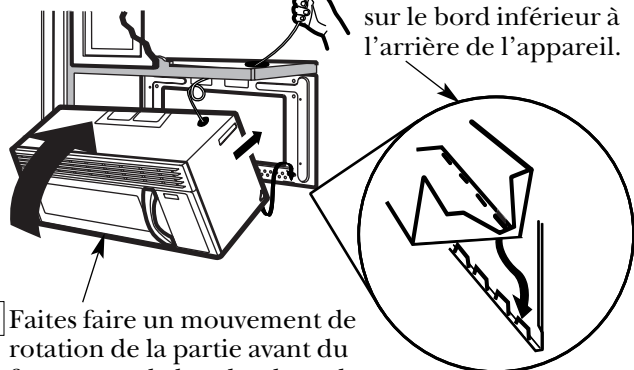
NOTE : Si votre placard est métallique, utilisez le tube de protection en nylon pour le cordon d'alimentation afin d'empêcher de le couper.

NOTE : Nous recommandons l'utilisation de blocs de calage si l'avant du placard dépasse l'étagère de support du placard.

IMPORTANT : Si les blocs ne sont pas utilisés, il est possible d'endommager l'ensemble par serrage excessif des vis.

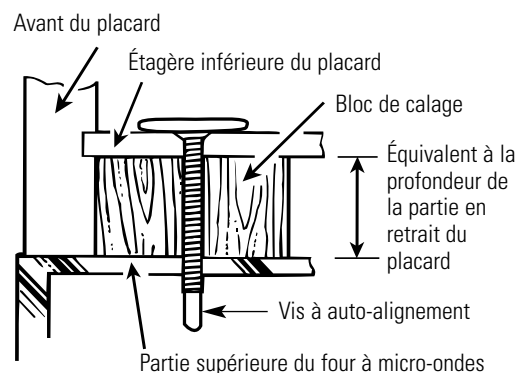
NOTE : Lors de l'installation du four, faites passer le cordon d'alimentation au travers du trou ménagé dans la partie inférieure du haut du placard. Gardez le cordon tendu au cours des étapes 1 à 3. Ne pincez pas le cordon et ne soulevez pas le four en tirant dessus.

- 1 Levez le four, penchez-le vers l'avant et insérez les quatre languettes inférieures de la plaque de montage dans les encoches se trouvant sur le bord inférieur à l'arrière de l'appareil.



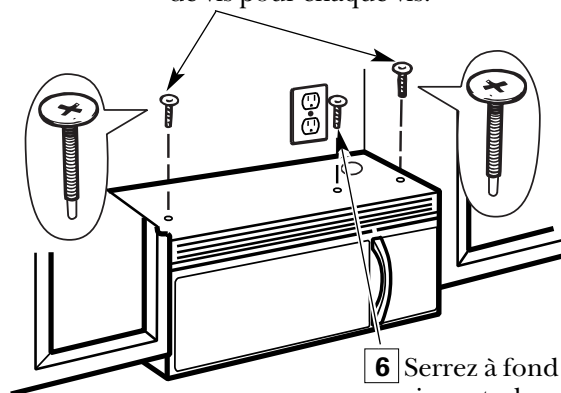
- 2 Faites faire un mouvement de rotation de la partie avant du four contre le bas du placard.

- 3 Insérez une vis à auto-alignement dans le trou situé au centre de la partie supérieure du placard. Fixez temporairement le four en tournant la vis (minimum **deux tours complets**) après l'engagement de son filetage. (le vissage final sera fait par la suite). **Assurez-vous de garder le cordon tendu. Faites attention de ne pas le pincer, plus particulièrement lorsque le montage sur la partie inférieure du placard se fait dans le profil.**



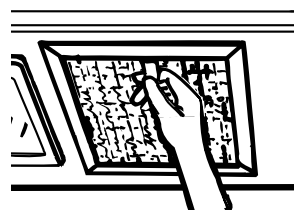
- 4 Montez le four sur le placard supérieur.

- 5 Insérez 2 vis à auto-alignement dans les trous extérieurs ménagés dans le placard supérieur. Faites deux tours de vis pour chaque vis.



- 6 Serrez à fond la vis centrale.

- 7 Serrez les vis extérieures montées sur le haut du four. (Pendant cette opération, maintenez le four en place contre le mur et le placard supérieur).



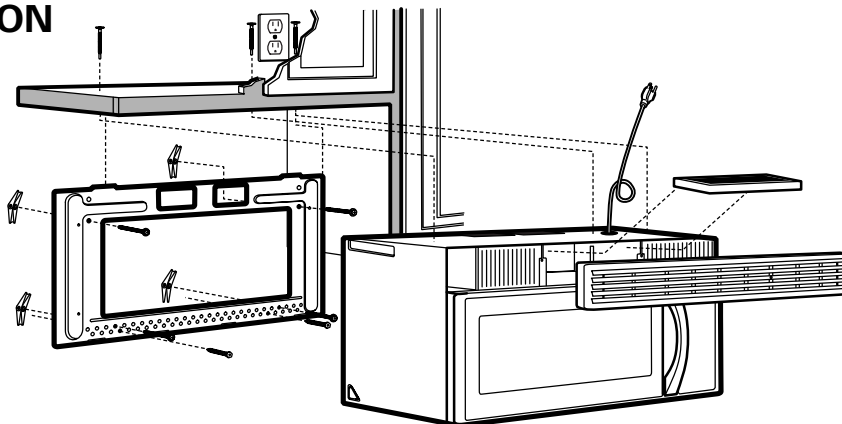
- 8 Montez les filtres à graisse. Voyez le Manuel du propriétaire accompagnant le four à micro-ondes.

Instructions d'installation

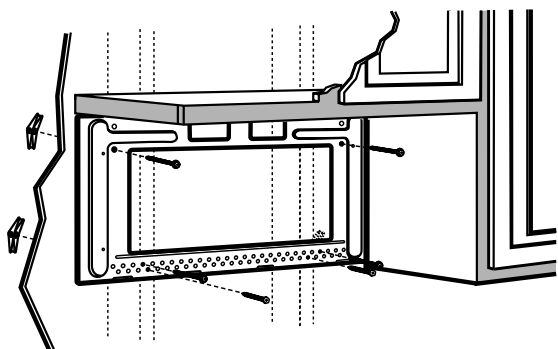
C RECIRCULATION (Pas de ventilation)

APERÇU DE L'INSTALLATION

- C1. Fixez la plaque de montage au mur
- C2. Préparez le placard supérieur
- C3. Vérifiez l'assemblage du four
- C4. Ajustez le ventilateur
- C5. Montez le four à micro-ondes
- C6. Installez le filtre à charbon



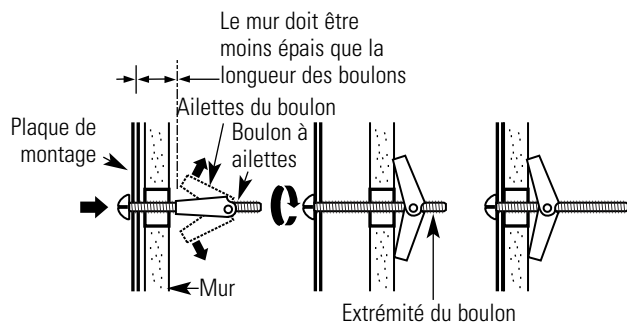
C1. FIXEZ LA PLAQUE DE MONTAGE AU MUR



Fixez la plaque au mur à l'aide des boulons à ailettes. Un minimum de une vis à bois doit être utilisée pour le montage de la plaque sur un montant du mur.

- 1 Dévisser les écrous à ailettes des boulons.
- 2 Insérez les boulons dans la plaque de montage par les trous prévus pour que les boulons passent dans le mur au plâtré et revissez les écrous à ailettes dans chaque boulon de dimensions 19.05 mm (3/4 po).

Utilisation des boulons à ailettes :



- 3 Placez la plaque de montage contre le mur et insérez les ailettes du boulon dans les trous faits dans le mur afin de monter la plaque.

NOTE : Avant de serrer les boulons et les vis à bois, assurez-vous que les languettes de la plaque de montage touchent le bas du placard lorsque poussée de niveau contre le mur et que la plaque est correctement centrée sous le placard.

ATTENTION : Faites attention de ne pas vous pincer les doigts entre la partie arrière de la plaque de montage et le mur.

- 4 Serrez tous les boulons. Tirez sur la plaque pour faciliter le serrage des boulons.

C2. UTILISEZ LE GABARIT DU PLACARD SUPÉRIEUR POUR PRÉPARER LE HAUT DU PLACARD

Vous devez percer des trous pour les vis du support supérieur ainsi qu'un trou suffisamment grand pour pouvoir y faire passer le cordon d'alimentation et un autre trou suffisamment grand pour l'adaptateur du système d'évacuation.



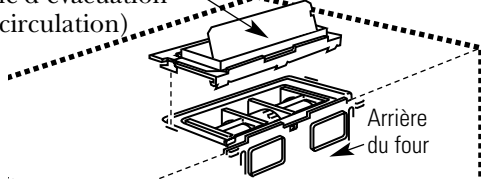
- Lisez les instructions concernant le GABARIT DU PLACARD SUPÉRIEUR.
- Fixez le gabarit sous la partie supérieure du placard à l'aide d'une bande collante.
- Percez les trous en suivant les instructions concernant le GABARIT DU PLACARD SUPÉRIEUR.

ATTENTION : Portez des lunettes de protection lorsque vous percez les trous.

Instructions d'installation

C3. VÉRIFIEZ L'ENSEMBLE DU FOUR

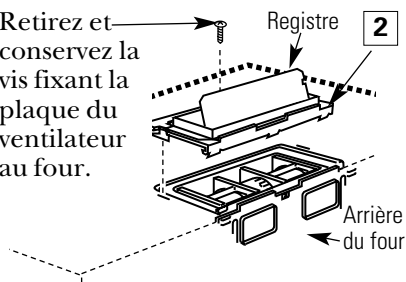
Adaptateur du système d'évacuation (absent sur les modèles avec système d'évacuation par recirculation)



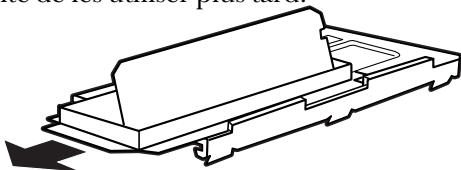
- Placez le four dans la position verticale, la partie supérieure faisant face vers le haut.
- Il est possible que ce four ait été expédié assemblé pour une évacuation de l'air par le haut (adaptateur installé) ou pour une évacuation par recirculation (adaptateur absent).
- Si le four est prévu pour une évacuation de l'air par recirculation, passez à l'étape C5. Si l'évacuation prévue se fait par le haut, allez à l'étape C4.

C4. MONTAGE DU VENTILATEUR DU FOUR POUR UNE ÉVACUATION PAR RECIRCULATION

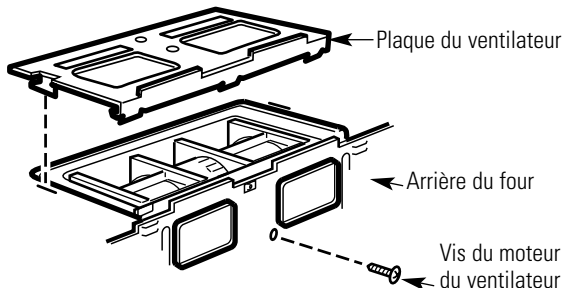
- 1** Retirez et conservez la vis fixant la plaque du ventilateur au four.
- 2** Séparez du four la plaque du ventilateur et l'adaptateur en place.



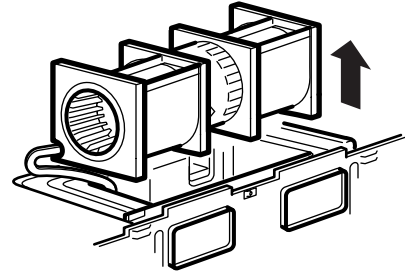
- 3** Faites glisser l'adaptateur sur un côté et retirez-le.
- NOTE :** Adaptateur du système d'évacuation avec le registre n'est pas nécessaire pour les modèles de recirculation. Vous pouvez les garder pour avoir la possibilité de les utiliser plus tard.



- 4** Retirez et conservez la vis fixant la plaque du ventilateur au four.

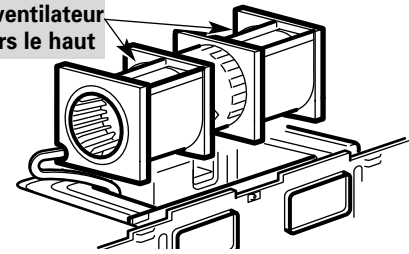


- 5** Retirez l'ensemble du ventilateur avec précaution. Les fils sont suffisamment longs pour que vous puissiez faire des ajustements sur ce composant.

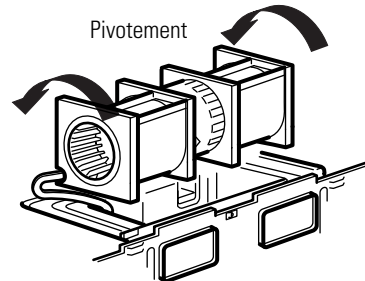


- 6** Faites pivoter l'ensemble du ventilateur sur 90° de façon à ce que les ouvertures des aubes font face à l'avant du four.

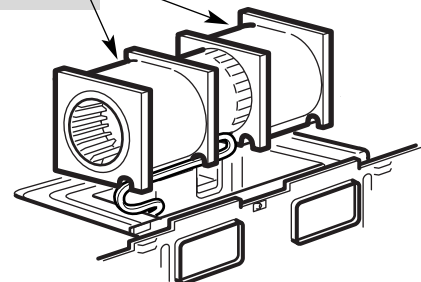
AVANT : Ouverture des aubes du ventilateur faisant face vers le haut



Pivotement



APRÈS : Ouverture des aubes du ventilateur faisant face à l'avant

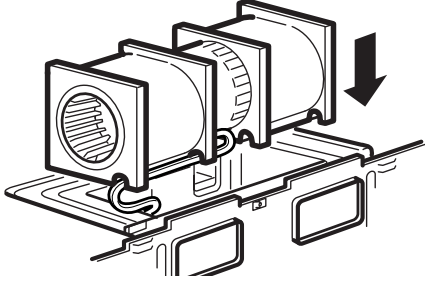


NOTE : Assurez-vous que les fils demeurent dans les rainures du bâti du moteur.

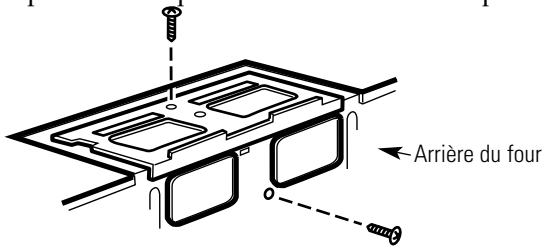
Instructions d'installation

C4. MONTAGE DU VENTILATEUR DU FOUR POUR UNE ÉVACUATION PAR RECIRCULATION (suite)

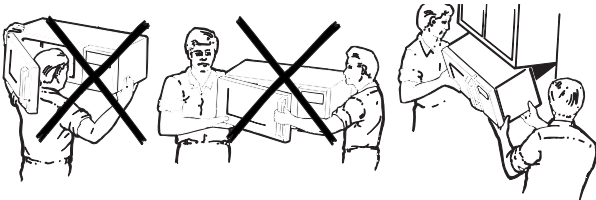
- 7 Remplacez l'ensemble du ventilateur dans l'orifice.
ATTENTION : Ne tirez pas sur ou n'étirez pas le câblage de l'ensemble du ventilateur. Assurez-vous que les fils ne sont pas pincés.



- 8 Fixez l'ensemble du ventilateur au four à l'aide de la vis enlevée à l'étape 4.
9 Remettez la plaque du ventilateur en place et remplacez la vis qui avait été enlevée à l'étape 1.



C5. MONTAGE DU FOUR À MICRO-ONDES



POUR FACILITER L'INSTALLATION ET POUR VOTRE SÉCURITÉ PERSONNELLE, NOUS RECOMMANDONS QUE L'INSTALLATION SOIT EFFECTUÉE PAR DEUX PERSONNES.

IMPORTANT : N'agrippez pas et n'utilisez pas la poignée au cours de l'installation.

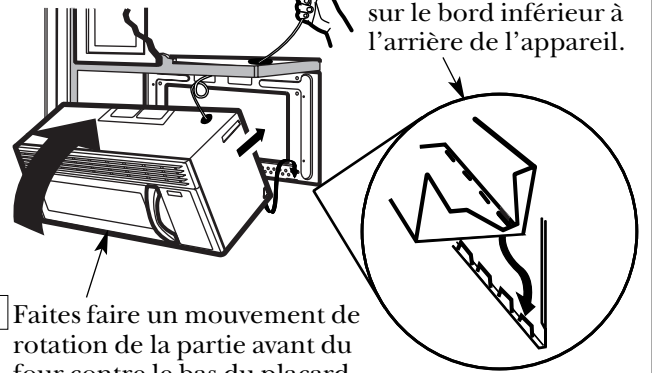
NOTE : Si votre placard est métallique, utilisez le tube de protection en nylon pour le cordon d'alimentation afin d'empêcher de le couper.

NOTE : Nous recommandons l'utilisation de blocs de calage si l'avant du placard dépasse l'étagère de support du placard.

IMPORTANT : Si les blocs ne sont pas utilisés, il est possible d'endommager l'ensemble par serrage excessif des vis.

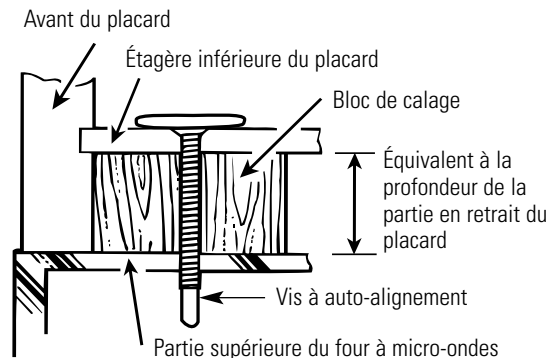
NOTE : Lors de l'installation du four, faites passer le cordon d'alimentation au travers du trou ménagé dans la partie inférieure du haut du placard. Gardez le cordon tendu au cours des étapes 1 à 3. Ne pincez pas le cordon et ne soulevez pas le four en tirant dessus.

- 1 Levez le four, penchez-le vers l'avant et insérez les quatre languettes inférieures de la plaque de montage dans les encoches se trouvant sur le bord inférieur à l'arrière de l'appareil.



- 2 Faites faire un mouvement de rotation de la partie avant du four contre le bas du placard.

- 3 Insérez une vis à auto-alignement dans le trou situé au centre de la partie supérieure du placard. Fixez temporairement le four en tournant la vis (minimum **deux tours complets**) après l'engagement de son filetage. (Le vissage final sera fait par la suite). **Assurez-vous de garder le cordon tendu. Faites attention de ne pas pincer le cordon plus particulièrement lorsque le montage sur la partie inférieure du placard se fait dans le profil.**

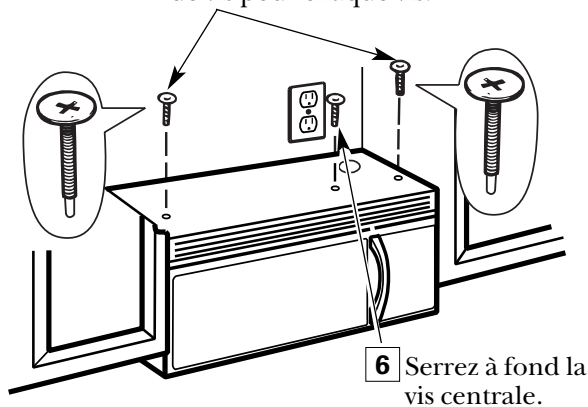


- 4 Montez le four sur le placard supérieur.

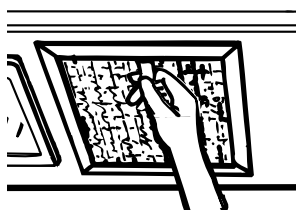
Instructions d'installation

C5. MONTAGE DU FOUR À MICRO-ONDES (suite)

- 5 Insérez 2 vis à auto-alignement dans les trous extérieurs ménagés dans le placard supérieur. Faites deux tours de vis pour chaque vis.



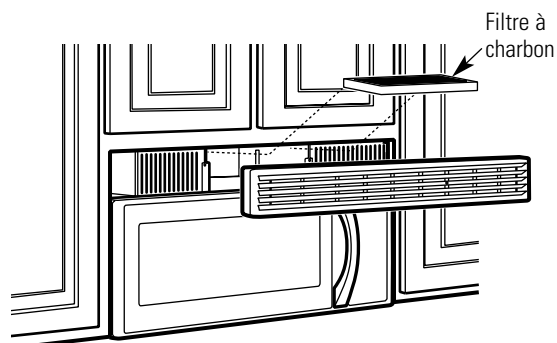
- 7 Serrez les vis extérieures montées sur le haut du four. (Pendant cette opération, maintenez le four en place contre le mur et le placard supérieur).



- 8 Montez les filtres à graisse. Voyez le Manuel du propriétaire accompagnant le four à micro-ondes.

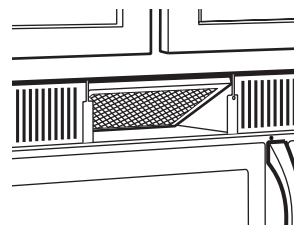
C6. MONTAGE DU FILTRE À CHARBON

- 1 Enlevez les 2 vis de la grille avant avec un tournevis Phillips #1.
2 Ouvrez la porte.
3 Enlevez la grille.



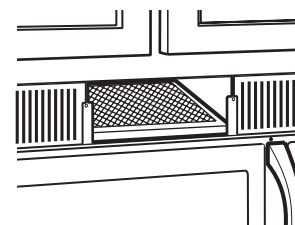
- 4 Montez le filtre à charbon. S'il est monté correctement, le grillage du filtre devrait être visible vu de l'avant.
5 Remettez la grille et les 2 vis en place.
6 Fermez la porte.

Modèle de la série 145



Insérez le côté grillage vers le bas

Modèle de la série 168



Insérez le côté grillage vers le haut

Instructions d'installation

AVANT D'UTILISER VOTRE FOUR À MICRO-ONDES

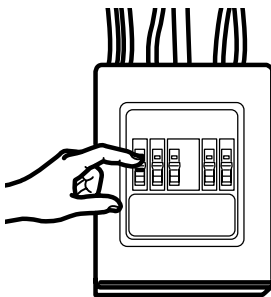
- 1.** Assurez-vous que le four à micro-ondes a été installé conformément aux instructions.



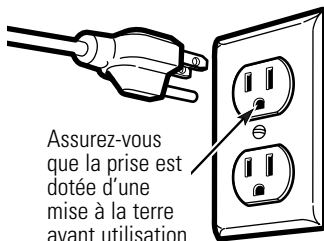
- 2.** Retirez tout le matériau d'emballage du four à micro-ondes.

- 3.** Installez la plaque tournante et l'anneau dans l'ouverture.

- 4.** Remettez le fusible en place ou réenclenchez le disjoncteur.



- 5.** Branchez le cordon d'alimentation dans la prise prévue à cet effet dont la capacité est de 15 à 20 ampères.

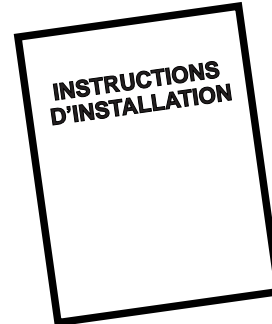


Assurez-vous que la prise est dotée d'une mise à la terre avant utilisation

- 6.** Lisez le Manuel du propriétaire.



- 7.** CONSERVEZ LES INSTRUCTIONS D'INSTALLATION POUR UTILISATION PAR L'INSPECTEUR LOCAL.



164D3370P173
49-40187