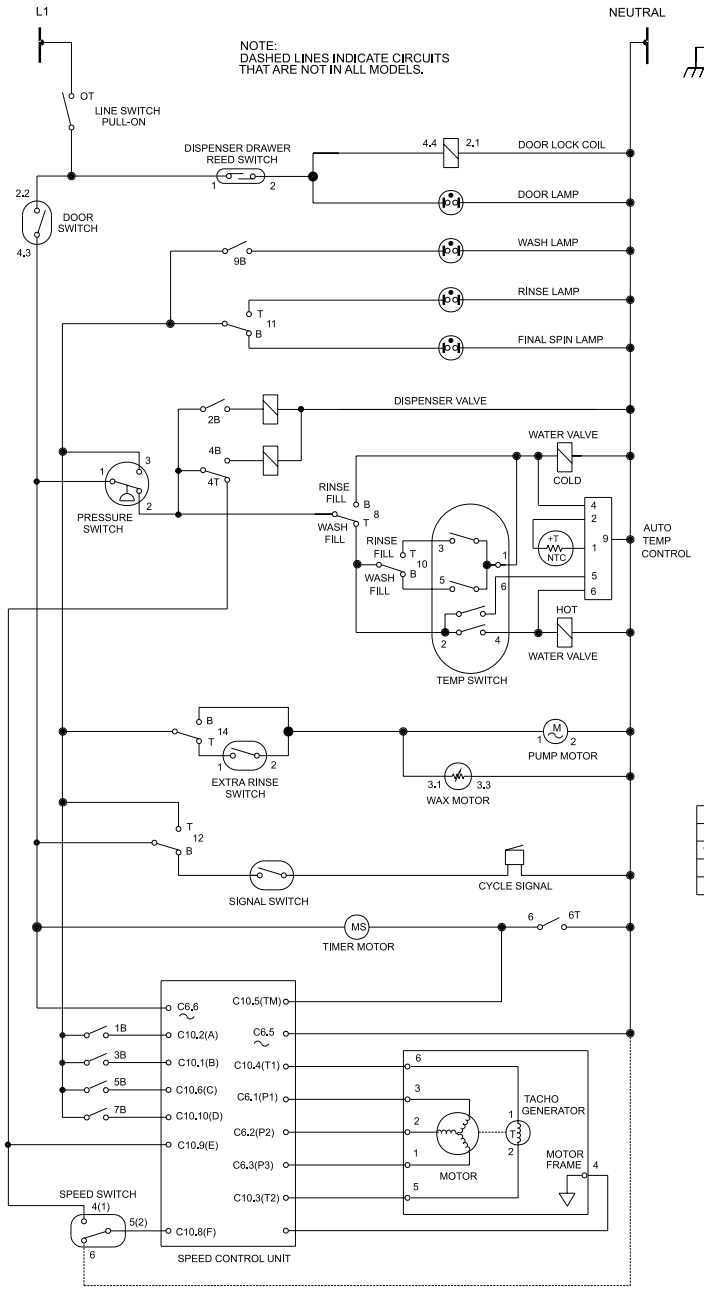


C A M	T E R M	C I R C U I T	DELAYED START					REGULAR CYCLE					OFF	DELICATE & HAND WASH CYCLE		OFF	DELAYED START			ECO-WASH		OFF		
			9 HR	7 HR	5 HR	3 HR	1 HR	HEAVY WASH	NORMAL WASH	QUICK WASH	RINSES & SPINS			FINAL SPIN	FINAL SPIN		6 HR	4 HR	2 HR	WASH	FINAL SPIN			
0/0	1	T																						
0	2	T																						
1	23	T																						
2	5	T																						
3	23	T																						
4	5	T																						
5	23	T																						
6	11	T																						
7	23	T																						
8	14	T																						
9	23	T																						
10	17	T																						
11	23	T																						
12	20	T																						
13	5	T																						
14	19	T																						

STEP TIME (MIN.)	STEP NO.
1	1
1.8	1
2.5	5
3.1	10
3.8	10
4.5	3
5.2	1.8
5.9	6.7
6.6	5.9
7.3	15
8.0	2
8.7	3
9.4	2.5
10.1	2.5
10.8	3
11.5	2.7
12.2	1.8
12.9	1.8
13.6	10.4
14.3	2.5
15.0	1.8
15.7	2.5
16.4	1.8
17.1	30
17.8	2.7
18.5	1.8
19.2	1
19.9	1.8
20.6	6.4
21.3	2.5
22.0	1.8
22.7	1.8
23.4	2.5
24.1	1.8
24.8	1.8
25.5	2.5
26.2	1.8
26.9	1.8
27.6	1.8
28.3	1.8
29.0	1.8
29.7	1.8
30.4	1.8
31.1	1.8
31.8	1.8
32.5	1.8
33.2	1.8
33.9	1.8
34.6	1.8
35.3	1.8
36.0	1.8
36.7	1.8
37.4	1.8
38.1	1.8
38.8	1.8
39.5	1.8
40.2	1.8
40.9	1.8
41.6	1.8
42.3	1.8
43.0	1.8
43.7	1.8
44.4	1.8
45.1	1.8
45.8	1.8
46.5	1.8
47.2	1.8
47.9	1.8
48.6	1.8
49.3	1.8
50.0	1.8
50.7	1.8
51.4	1.8
52.1	1.8
52.8	1.8
53.5	1.8
54.2	1.8
54.9	1.8
55.6	1.8
56.3	1.8
57.0	1.8
57.7	1.8
58.4	1.8
59.1	1.8
59.8	1.8
60.5	1.8
61.2	1.8
61.9	1.8
62.6	1.8
63.3	1.8
64.0	1.8
64.7	1.8
65.4	1.8
66.1	1.8
66.8	1.8
67.5	1.8
68.2	1.8
68.9	1.8
69.6	1.8
70.3	1.8
71.0	1.8
71.7	1.8
72.4	1.8
73.1	1.8
73.8	1.8
74.5	1.8
75.2	1.8
75.9	1.8
76.6	1.8
77.3	1.8
78.0	1.8
78.7	1.8
79.4	1.8
80.1	1.8
80.8	1.8
81.5	1.8
82.2	1.8
82.9	1.8
83.6	1.8
84.3	1.8
85.0	1.8
85.7	1.8
86.4	1.8
87.1	1.8
87.8	1.8
88.5	1.8
89.2	1.8
89.9	1.8
90.6	1.8
91.3	1.8
92.0	1.8
92.7	1.8
93.4	1.8
94.1	1.8
94.8	1.8
95.5	1.8
96.2	1.8
96.9	1.8
97.6	1.8
98.3	1.8
99.0	1.8
99.7	1.8
100.4	1.8

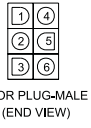


NOTE: DASHED LINES INDICATE CIRCUITS THAT ARE NOT IN ALL MODELS.

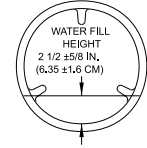
COMPONENT RESISTANCE TABLE	
ELECTRICAL COMPONENT	RESISTANCE Ω @ 77°F (25 @ 77°C)
WATER VALVE SOLENOIDS	
DOOR LOCK SOLENOID	880 ±10%
TIMER MOTOR	380 ±10%
PUMP MOTOR	2425 ±6%
DISPENSER VALVE SOLENOIDS	
M1 TO M2	15 ±7%
M2 TO M3	1100 ±7%
M1 TO M3	2.6 ±7%
M5 TO M6	2.6 ±7%
M5 TO M6	184 ±7%

	TEMPERATURE SWITCH				
	CIRCUIT				
WASH RINSE	1-3	1-5	2-6	2-4	
HC					X
* W/C		X			X
+ C/C		X			X
+ W/W	X	X			X
REG C/C		X	X		X
REG W/C		X	X		X
REG W/W	X	X			X

H=HOT W=WARM C=COLD
REG=REGULATED X=CLOSED
* NOT ON ALL MODELS



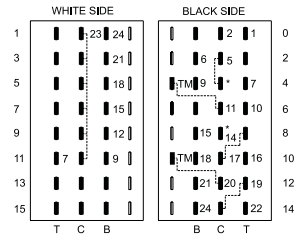
WIRING CODES	
⬇	CONNECTION
+	NO CONNECTION
⌚	CABINET GROUND
⬆	LOCAL GROUND



NO LOAD, START POSITION OF PERMANENT PRESS

SPEED SWITCH	
CIRCUIT	5-6 4(1)-5(2)
* SLOW	X
NORMAL	
FAST	X

X = CONTACTS CLOSED
* NOT ON ALL MODELS



WARNING TO REDUCE THE RISK OF ELECTRICAL SHOCK DISCONNECT THIS APPLIANCE FROM THE POWER SUPPLY BEFORE ATTEMPTING ANY USER MAINTENANCE. TURNING THE CONTROLS TO THE OFF POSITION DOES NOT DISCONNECT THIS APPLIANCE FROM THE POWER SUPPLY.

WIRING DIAGRAM
P/N 134112100