

KitchenAid®

Installation Instructions

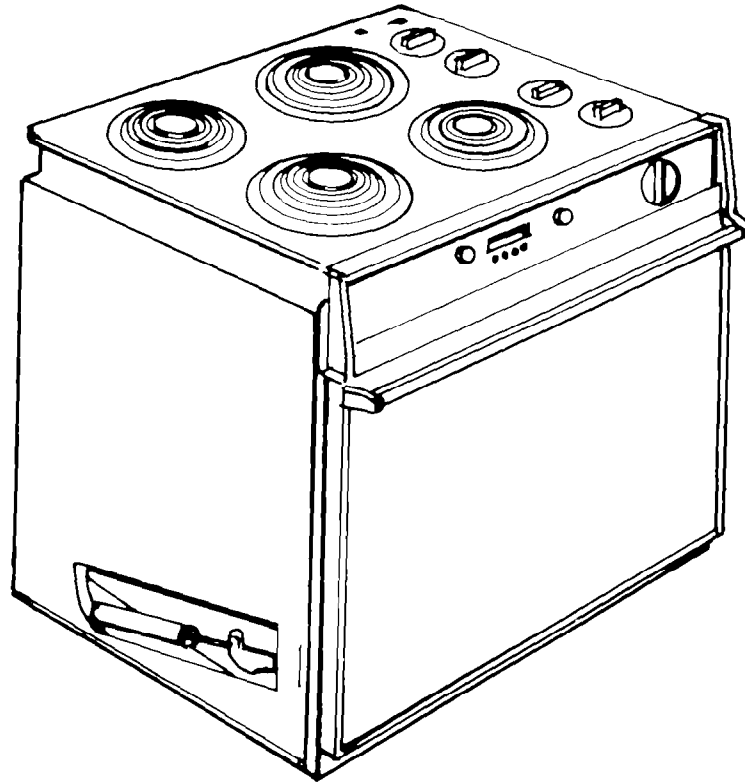
Electric Drop-in Unit

IMPORTANT:

Installer: Leave Installation Instructions with the Homeowner.

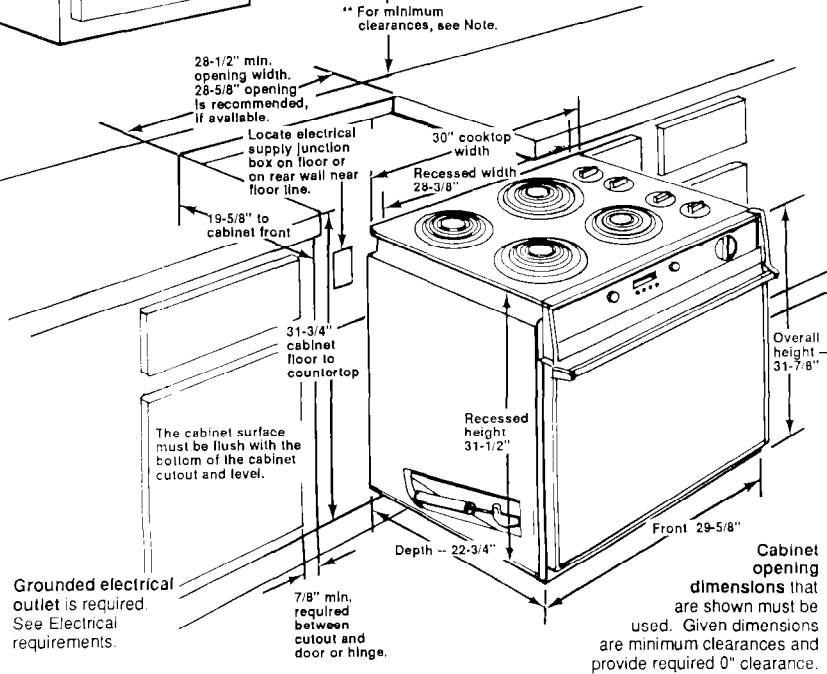
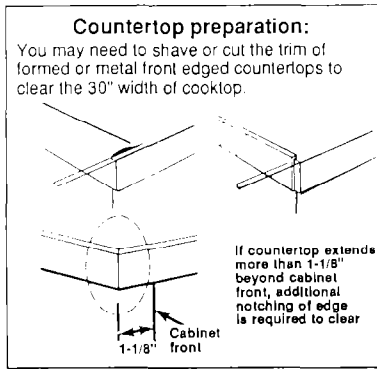
Homeowner: Keep Installation Instructions for future reference.

Save Installation Instructions for local electrical inspector's use.



Important: Observe all governing codes and ordinances.

** Note: 30" min. clearance between the top of cooktop and the bottom of an unprotected wood or metal cabinet.
24" min. clearance if protected by not less than 1/4" flame retardant millboard covered with not less than No. 24MS3 sheet steel, .015" stainless steel, or .024" aluminum or .020" copper.



Before you start...

Read the Electrical and Carpentry instructions.

Proper installation is your responsibility. A qualified technician should install this range. Make sure you have everything necessary for correct installation. It is the customer's responsibility to make sure that the countertop has been properly prepared, and to contact a qualified electrical installer to assure that the electrical installation is correct.

⚠ WARNING

Personal Injury Hazard

Cabinet storage above the cooking surface should be avoided. If cabinets are already installed, reduce the hazard of reaching over a heated cooking surface by installing a range hood.

The range hood should extend a minimum of 5 inches out from the bottom front of the cabinets.

Reaching over a heated cooking surface could result in a serious burn.

⚠ WARNING

Electrical Shock Hazard

It is the customer's responsibility:

- To contact a qualified electrical installer.
- To assure that the electrical installation is adequate and in conformance with National Electrical Code, ANSI/NFPA 70 - latest edition*, and all local codes and ordinances.

Failure to do so could result in fire, electrical shock or other personal injury.

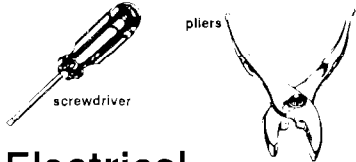
Mobile home Installation

The installation of this range must conform to the Manufactured Home Construction and Safety Standards, Title 24 CFR, Part 3280 (formerly the Federal Standard for Mobile Home Construction and Safety, Title 24, HUD, Part 280).

Four-wire power supply cord must be used in a mobile home installation. The appliance wiring will need to be revised. See Electrical requirements, Figure 4, Panel B. Copies of the standards listed may be obtained from:

* National Fire Protection Association
Battery March Park
Quincy, Massachusetts 02269

Tools needed for installation:



Electrical requirements

Electrical ground is required on this appliance.

⚠ WARNING

Electrical Shock Hazard

- Electrical ground is required on this appliance.
- Improper connection of the equipment-grounding conductor can result in electrical shock.
- Check with a qualified electrician if you are in doubt as to whether the appliance is properly grounded.
- Do Not use an extension cord with this appliance. Such use may result in a fire, electrical shock or other personal injury.
- Do Not have a fuse in the neutral or grounding circuit. A fuse in the neutral or grounding circuit could result in electrical shock.

Failure to follow these instructions could result in an electrical shock.

A. A three-wire or a four-wire single phase, 120/240 volt, 60 Hz, AC only electrical supply (or three-wire or four-wire 120/208 volt if specified on serial plate) is required on a separate circuit, fused on both sides of the line. A time-delay fuse or circuit breaker is recommended. The fuse size must not exceed the circuit rating of the appliance specified on the serial/rating plate which is located on frame behind oven door.

B. THE RANGE MUST BE CONNECTED WITH COPPER WIRE ONLY.

C. Wire sizes and connections must conform to the requirements of the National Electrical Code, ANSI/NFPA 70-latest edition and all local codes and ordinances for the kilowatt rating of the range.

D. This appliance should be connected to the fused-disconnect (or circuit breaker) box through flexible, armored or nonmetallic sheathed, copper cable (with grounding wire). The flexible armored cable extending from the appliance should be connected directly to the junction box.

E. Locate the junction box to allow as much slack as possible between the junction box and the appliance so that the range can be moved if servicing is ever necessary. Do not cut conduit.

F. A U.L.-listed conduit connector must be provided at the junction box.

G. It is the personal responsibility and obligation of the customer to contact a qualified electrician to assure that the electrical installation is adequate and is in conformance with the National Electrical Code ANSI/NFPA 70-latest edition* and all local codes and ordinances.

Copies of the standards listed may be obtained from:

* National Fire Protection Association
Battery March Park
Quincy, Massachusetts 02269

H. The wiring diagram is located on the back, right hand side of non-self-clearing ranges. A Tech Sheet is located behind the lower air grille on self-clearing ranges.

Electrical connection

Electrical ground is required on this appliance.

Do Not connect to electrical supply until appliance is permanently grounded. See Figure 3.

⚠ WARNING

Electrical Shock Hazard

- Disconnect power to the junction box.
- This appliance must be connected to a grounded, permanent wiring system or a grounding conductor should be connected to the grounding terminal or wire lead on the appliance.

Failure to do so could result in electrical shock, serious injury, or death.

This appliance is manufactured with white neutral supply wire and a cabinet-connected, green, grounding wire twisted together.

Connect the appliance cable to the junction box through the U.L.-listed conduit connector. Complete electrical connection according to local codes and ordinances.

A. Where local codes permit

connecting the cabinet-grounding conductor to the neutral (white) junction box wire:

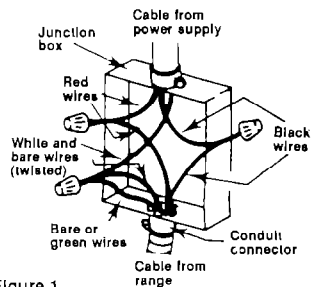


Figure 1

1. Connect together 3 wires: green and white appliance cable wires and the neutral white wire in the junction box.
2. Connect the two black wires, then the two red wires. See Figure 1.

B. Where local codes DO NOT permit connecting the cabinet-grounding conductor to the neutral (white) junction box wire:

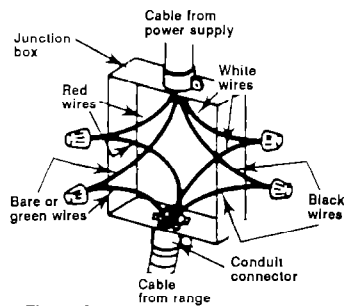
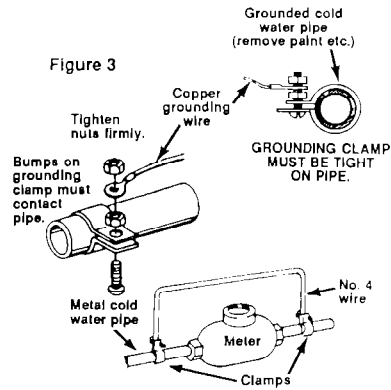


Figure 2

1. Separate the green and white appliance cable wires.
2. Connect the white appliance cable wire to the neutral (white) wire in junction box.
3. Connect the two black wires, then the two red wires. See Figure 2.

4. Connect the grounding wire to a grounded wire in the junction box or to a grounded copper cold water pipe.*



5. A separate copper grounding wire (No. 18 minimum) **MUST** be connected to a grounded cold water pipe by means of a clamp and then to the external grounding connector screw. **DO NOT** ground to a gas supply pipe or hot water pipe.

* Grounded, cold water pipe must have metal continuity to electrical ground and not be interrupted by plastic, rubber or other electrical insulating connectors such as hoses, fittings, washers or gaskets (including water meter or pump). Any electrical insulating connector should be jumped as shown with a length of No. 4 copper wire securely clamped to bare metal at both ends.

C. If connecting to a four-wire, electrical system:

DO NOT connect the cabinet-grounding conductor to the neutral (white), junction box wire.

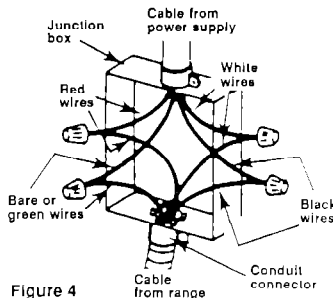


Figure 4

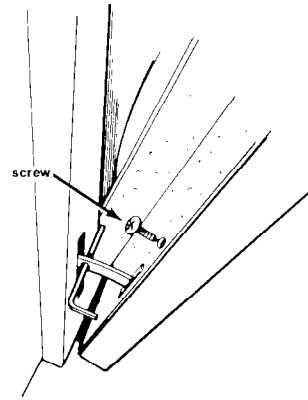
1. Separate the green and white appliance cable wires.
2. Connect the white appliance cable wire to the neutral (white) wire in the junction box.
3. Connect the two black wires, then the two red wires. See Figure 4.
4. Connect the green grounding wire to the green, grounding wire in the junction box.

Now Start...

With range in kitchen.

1. Remove racks and other parts from inside oven.

2. Remove shipping materials (including wire clips that hold elements in place), tape and protective film from range. Remove air grille taped to top or side of range. **Do Not** remove the shipping base at this time.



3. **Self-cleaning models:** Remove screws on each side of the inner panel of the oven door. Insert a nail or a 5/32" diameter item in the hole in each of the hinges. Close door as far as possible. Lift oven door off of the hinges and set aside.

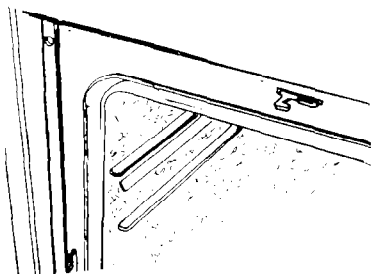
Non-self-cleaning models: Open door to broil "stop" position and lift door upwards to remove.

- 4.** Move range close to cabinet cutout. Make electrical connection. See Electrical requirements and Electrical connection sections, Panels A and B, for details.

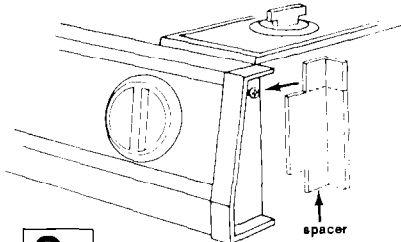
CAUTION

Floor Damage

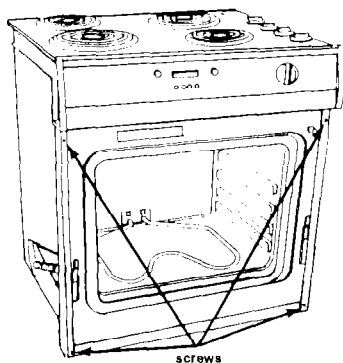
Keep shipping base under range to prevent floor damage. Failure to do so may cause floor damage.



- 5.** Remove and discard shipping base. Lift range up to cabinet cutout using the oven opening as an area to grip.



- 6.** Center range into cabinet cutout. Loosen screws and insert spacers (shipped in literature bag), on each side of control console. If range does not fit properly, check spacers. The spacers may need to be cut to fit under countertop. Mark with a pencil where each spacer needs to be cut. Loosen both screws to remove spacers. Cut across top of each spacer. Replace spacers and tighten screws. Check that range fits properly on countertop.

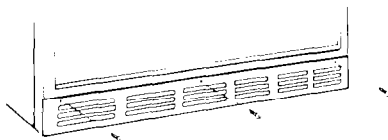


WARNING

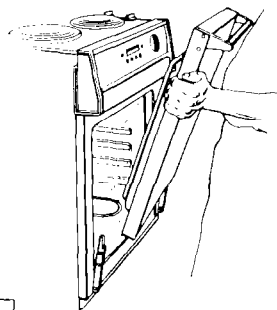


To reduce the risk of tipping the appliance, the appliance must be securely fastened to the cabinet using the four screws that are provided.

- 7.** Secure range to cabinet using four screws through the mounting holes in the front frame of the oven.



- 8.** Put air grille into place under oven door. Be sure louvers in air grille point down, flange is at bottom, and mounting holes are at top. Slide air grille up into position. Attach grille with 3 black metal screws. (While models may use chrome screws.)



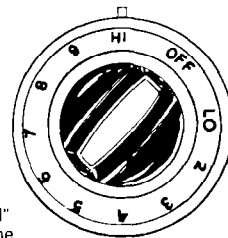
- 9.** Replace oven door by fitting both corners of door over ends of hinges. Push door evenly and completely onto hinges. Remove nails from hinges. Reinstall two screws into inner door panel. If door does not close, you have not pushed door completely onto hinges.

- 10.**

Turn on power supply.

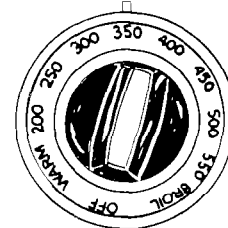
- 11.**

Push in and turn each surface unit control knob to "HI" position. Check the operation of the cooktop elements and indicator lights.



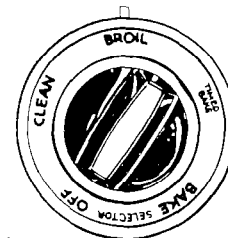
- 12.**

Check the operation of the oven elements. Set the oven selector control knob to "BAKE". (Oven selector control knob is not available on all models.) Set the oven temperature control to 350°F. The bottom element should glow red and the indicator light should be on. The upper element should become hot but not glow red. The oven indicator light goes off when the oven is preheated.

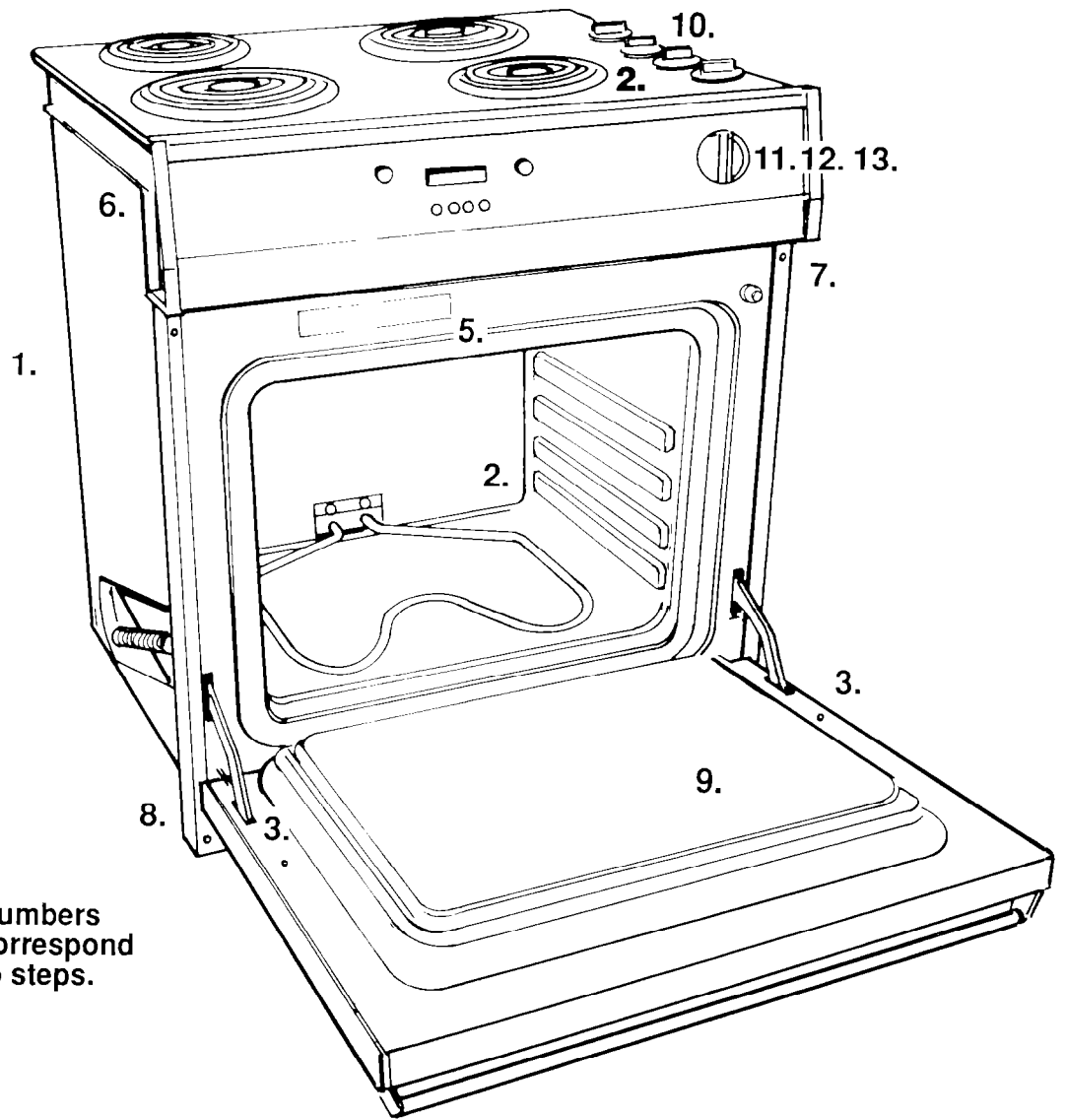


- 13.**

Check the operation of the broil element. Set the oven selector and oven temperature control knobs to "BROIL". (Oven selector control knob is not available on all models.) The top element should glow red and the indicator light should be on.



To get the most efficient use from your new electric range, read your KitchenAid Use and Care Guide. Keep Installation Instructions and Guide close to the electric range for easy reference.



Numbers correspond to steps.

Panel C

If the range does not operate...

First check that the circuit breaker is not tripped or the fuse blown. A wiring diagram is located below the control mounting plate. Read before servicing

If you need assistance...

When you call, you need the drop-in unit model number and serial number. Both numbers can be found on the serial/rating plate under the modules on the rear wall burner box.