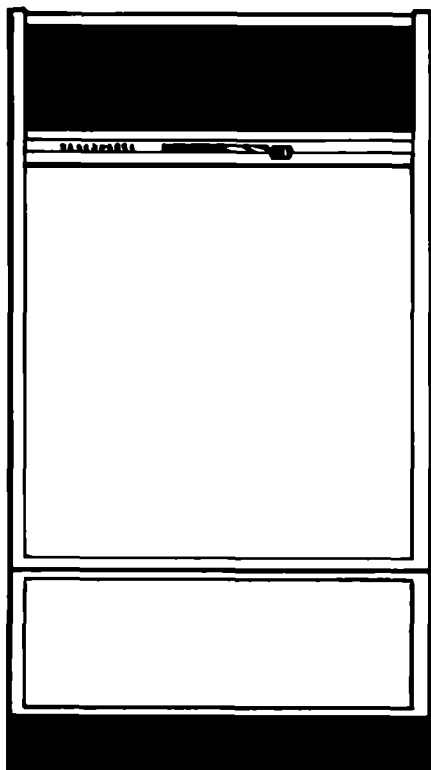


Installation Instructions



18" UNDERCOUNTER DISHWASHER

IMPORTANT

**INSTALLER: LEAVE THESE INSTRUCTIONS WITH THE HOMEOWNER.
HOMEOWNER: RETAIN THESE INSTRUCTIONS FOR FUTURE REFERENCE.**

ive Ovens, Compactors, Room Air Conditioners, Dehumidifiers, Automatic Washers, Clothes Dryers, Freezers, Refrigerator-Freezers, Ice Makers, Dishwash



Installation Instructions

Before starting . . .

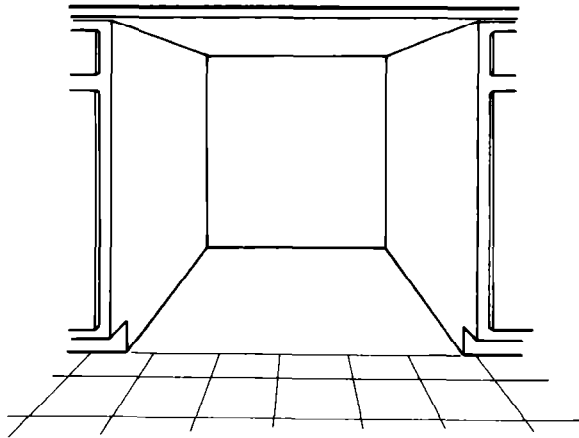
BE SURE THAT YOU OBSERVE ALL LOCAL CODES AND ORDINANCES FOR ELECTRICAL AND PLUMBING CONNECTIONS AND THAT THE DISHWASHER IS INSTALLED BY A QUALIFIED PERSON.

To install the dishwasher, read the following instructions completely and carefully. There are important steps outlined that will simplify the installation job when followed carefully. In addition, they will help you decide what materials you need for your installation.

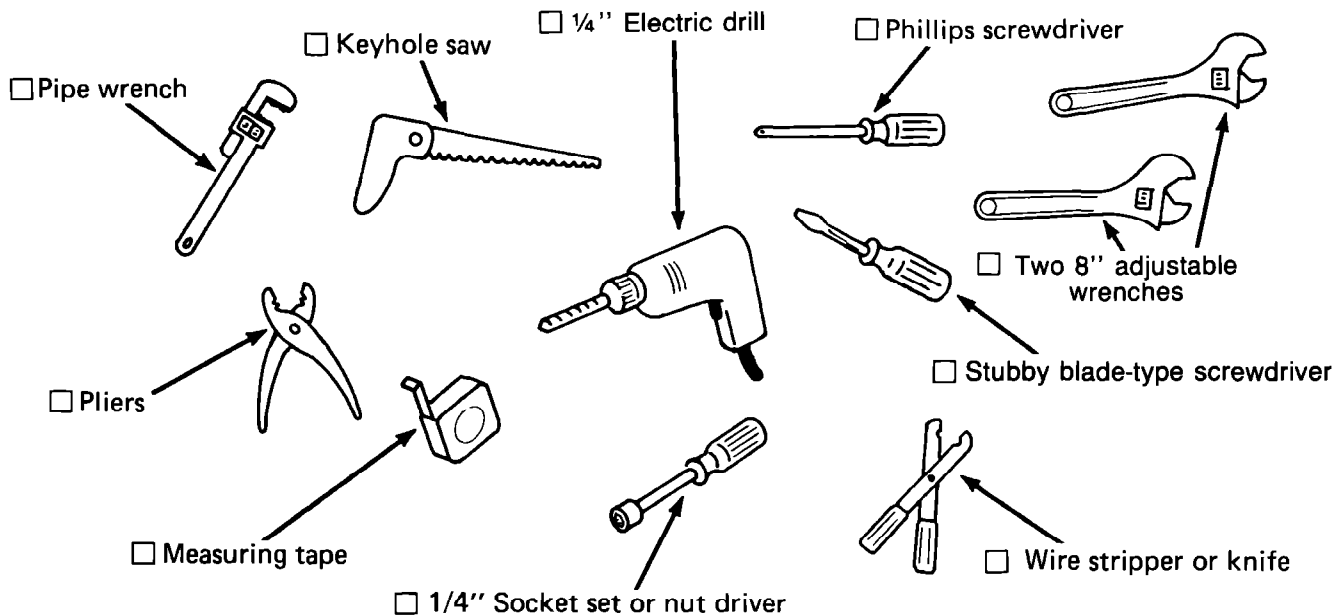
NOTE: Most of your work is done **BEFORE** you move the dishwasher into place. Electric and water supplies are roughed in at the back and sides (see Figure 2) because plumbing and wiring should not cross in front of the motor or dishwasher legs. They should run straight forward from the back to their final connections to the dishwasher as shown in Figures 13 and 14.

To prevent the dishwasher motor from overheating do not install the dishwasher over carpeted flooring. Maintain at least 1/4" clearance between the motor and flooring.

CAUTION: Use protective padding if you lay unit on sides or back, to prevent porcelain finish and/or floor damage. All kits, such as the Drain Air-Gap Kit (Part No. 300096) shown in Figure 10, are available at your Whirlpool Dealer.



You'll need these tools:

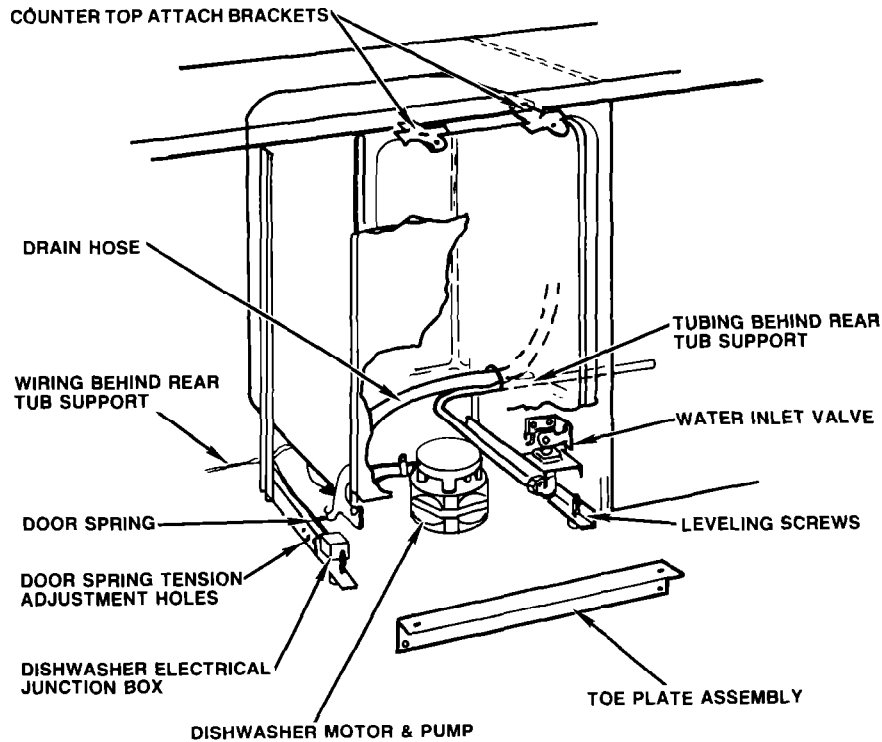


In addition, these tools may be required:

Two pipe wrenches (iron pipe plumbing) and pipe joint compound for threads; flaring tool and tube cutter (copper tube plumbing).

Over-all View Of An Installed Dishwasher

FIGURE 1



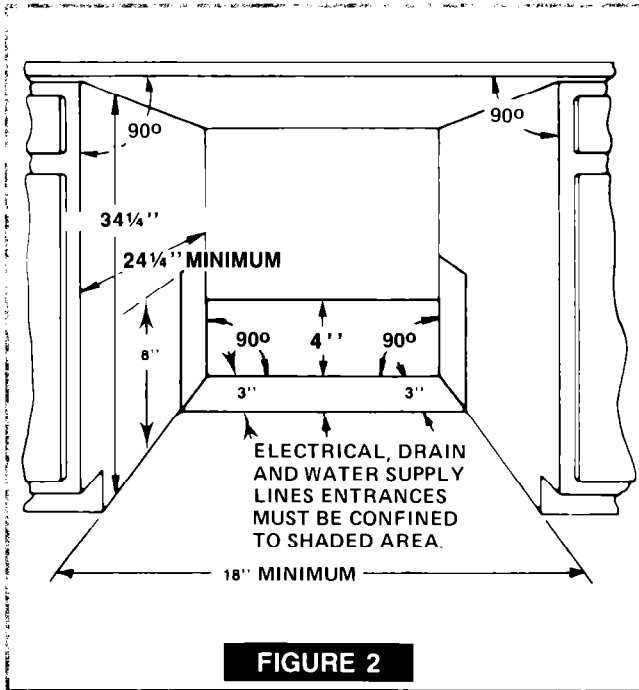
USE CAUTION WHEN MOVING THIS APPLIANCE TO PREVENT DAMAGE TO FLOOR COVERINGS. THE WEIGHT OF THE APPLIANCE MAY CAUSE RIPPING, SCRATCHING OR OTHER DAMAGE TO THE FLOOR. FOR BEST RESULTS, SLIDE APPLIANCE ONTO CARDBOARD OR HARDBOARD BEFORE MOVING TO PREVENT DAMAGE.

CAUTION: IF THE DISHWASHER DOOR IS OPENED BEFORE THE UNIT IS INSTALLED IN THE CABINET OPENING THE DISHWASHER WILL BE UNSTABLE AND IT MAY TIP OVER.

WARNING: This dishwasher is not provided with a complete enclosure (cabinet). For your personal safety, protection from exposed unit wiring must be provided by enclosing the sides, top and back at the time of installation. A cabinet opening that has a top (countertop) back and side walls will provide the required enclosure.

Installation Instructions

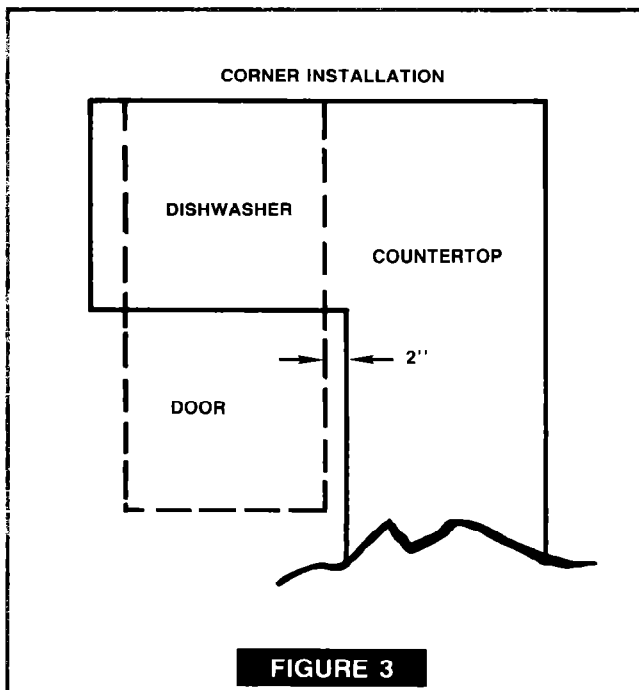
Location & Rough-in Dimensions



When determining location, consider the accessibility to the existing service lines. Also plan to place your dishwasher where its water inlet valve is protected from freezing. It is recommended that a built-in dishwasher be installed on either side of and adjacent to the kitchen sink. This area is readily accessible to plumbing facilities and convenient for loading. Minimum height needed for installation of this dishwasher is 34".

NOTE: If leveling is required, dishwasher should be leveled before the drain, water and electrical lines are connected.

IMPORTANT: Squareness of opening is important for proper dishwasher operation and appearance. It is also important that the cabinet front is perpendicular to the floor. Be sure you are locating your dishwasher where you have access to water, electricity and drainage.



If the dishwasher is to be installed in a corner, there must be sufficient clearance to open the door.

Remove Access Panel

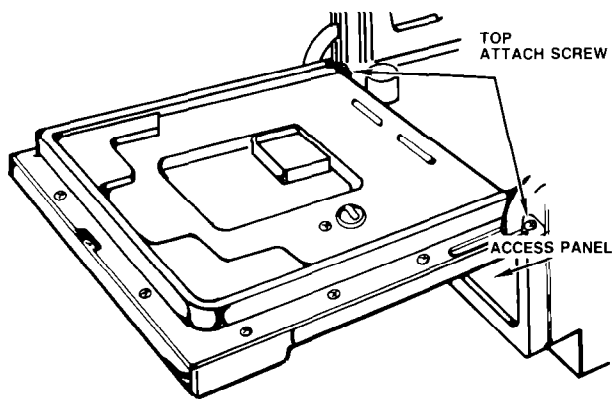


FIGURE 4

- (A) Loosen the two bottom attach screws in the access panel. (Figure 5)
- (B) Open dishwasher door. (Figure 4)
- (C) Remove the two top attach screws. (Figure 4)

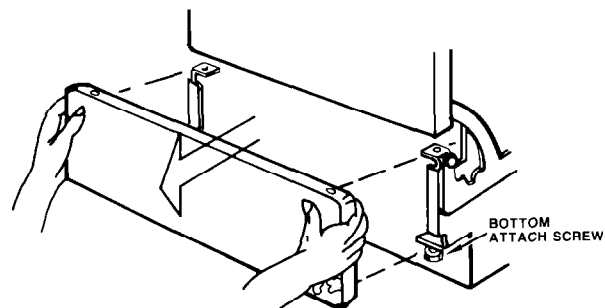


FIGURE 5

- (D) Close door. Access panels can now be removed by pulling down and away from dishwasher. (Figure 5)

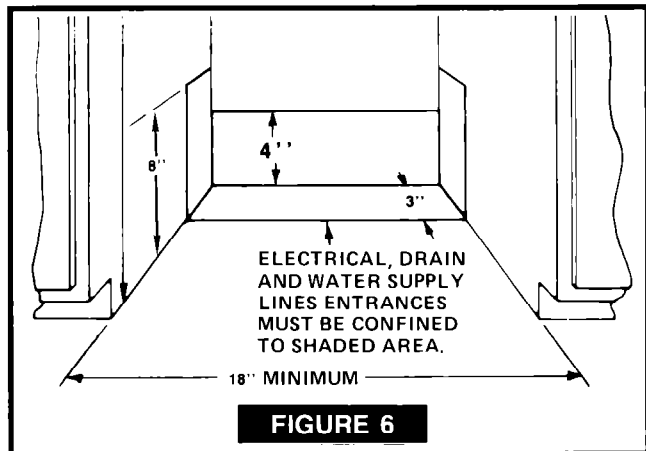
IMPORTANT: When replacing the access panel, the washer on the bottom attach screws should be outside the panel.

Installation Instructions

Locating Your Drain, Water and Electrical Supply

IMPORTANT: OBSERVE ALL LOCAL CODES AND ORDINANCES

Review this page in detail. Look at the location where the dishwasher is to be located. Double check (✓✓) that you have the correct water, electrical and drain supplies before attempting to make these connections.



NOTE: Figure 6 gives dimensional details that will be helpful when making the decisions on how to run the drain, water and electrical hook-ups.

Drain

Review Figures 10, 11, and 12 to determine where you will connect the dishwasher into your drain system. Cut the drain hose (2" or larger) in shaded area as shown in Figure 6. Check BOTH sides of area to be cut BEFORE cutting, to prevent interference.

It is recommended that the drain line be connected to your house plumbing using a drain air-gap (Part No. 300096) available through your Whirlpool dealer.

NOTE: Some other brands of drain air-gaps restrict water flow excessively and can result in incomplete drain.

If local plumbing codes permit, your dishwasher may be connected directly to disposer or waste tee, provided that the connection is made ahead of trap and is at least 20" above floor level. If additional drain line is required it must be a minimum of 1/2" I.D. and should not be longer than 20 feet. THERE MUST BE NO SHARP BENDS OR KINKS IN THE DRAIN HOSE.

NOTE: When connecting to a separate drain trap, it must be vented.

Water

Determine where you will connect the dishwasher into your hot water supply. Review Figure 13 and note the

location of the water lines. The dishwasher water inlet valve has 3/8" IPS (Iron Pipe Size) [1/2" copper tubing] female fitting. How much pipe or tubing will you need? Copper tubing must have a minimum O.D. of 3/8". Pipe, a minimum of 3/8" IPS.

It is recommended that a shut-off valve be installed outside of the dishwasher area.

Cut the access hole inside the shaded area as shown in Figure 6. Complete the plumbing rough-in before putting the dishwasher in place.

How much water volume is needed? A minimum flow of 1 quart is required in 9 seconds - Check this at your kitchen faucet tap.

The maximum water pressure allowed is 120 PSI (Pounds per Square Inch), dynamic. Minimum pressure is 15 PSI.

The temperature of the water should be at least 140°F. Check this at your kitchen faucet. Let the water run before checking the temperature with a candy or meat thermometer.

Electrical Power Supply

Determine where you will connect to the electrical supply. Review Figure 14, note the location of the electric lines. Cut the access hole inside the shaded area as shown in Figure 2. If the cabinet side wall is wood, sand the edges of the hole until smooth. If the side wall is metal, install a protective grommet to cover the edge of the hole.

A 115 volt, 60 Hz, AC only, 15 Ampere (20 Ampere Maximum) fused electrical supply is required (time delay fuse or circuit breaker is recommended). It is recommended that a separate circuit serving only this appliance be provided. DO NOT use a female to male extension cord.

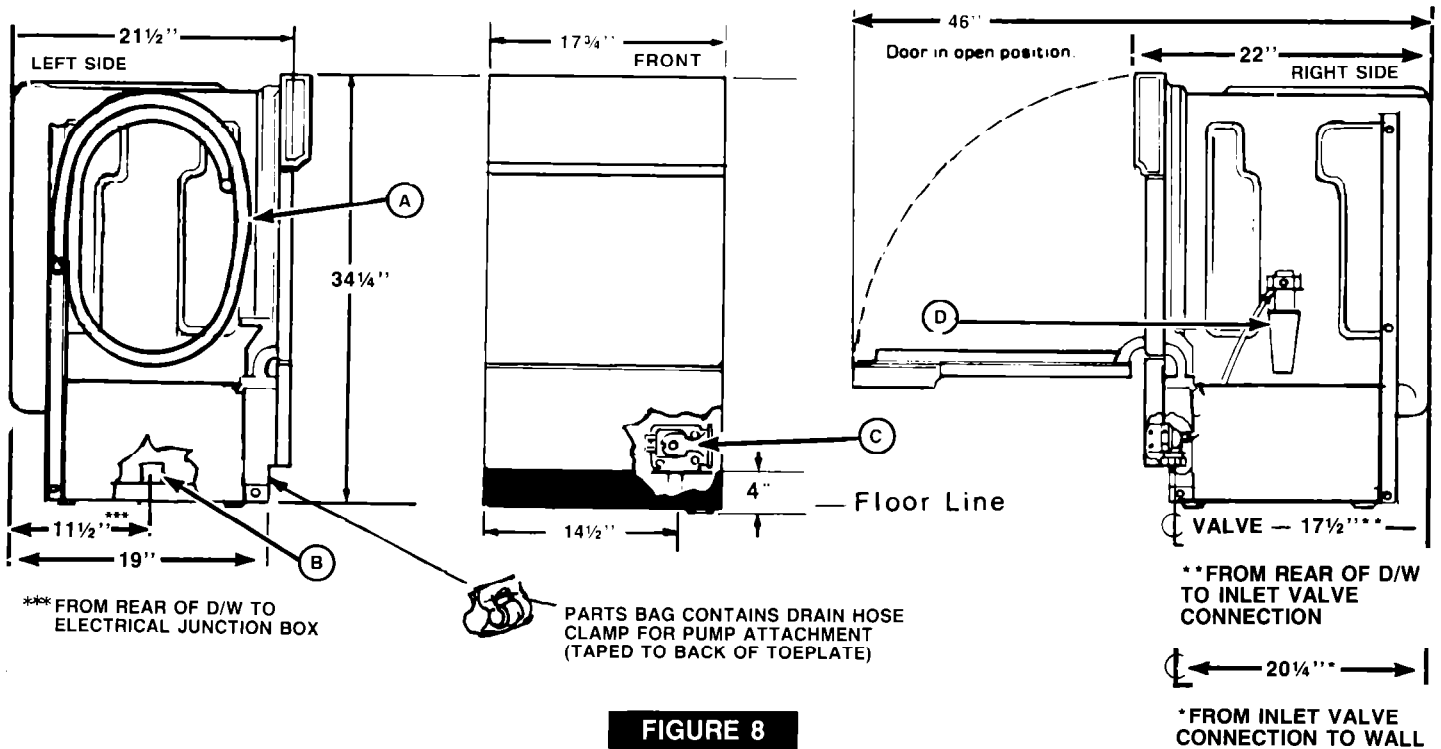


FIGURE 8

Legend of Designated Items

- | | |
|--------------------------------------|-----------------------|
| A. Drain hose 84" length (furnished) | C. Water inlet valve. |
| B. Electrical junction box. | D. Water inlet. |

Installation Instructions

How to Position, Align and Level Your Dishwasher

If color shade of door is to be changed, it should be done at this time prior to installing the dishwasher in the opening. (See pages 17 & 18).

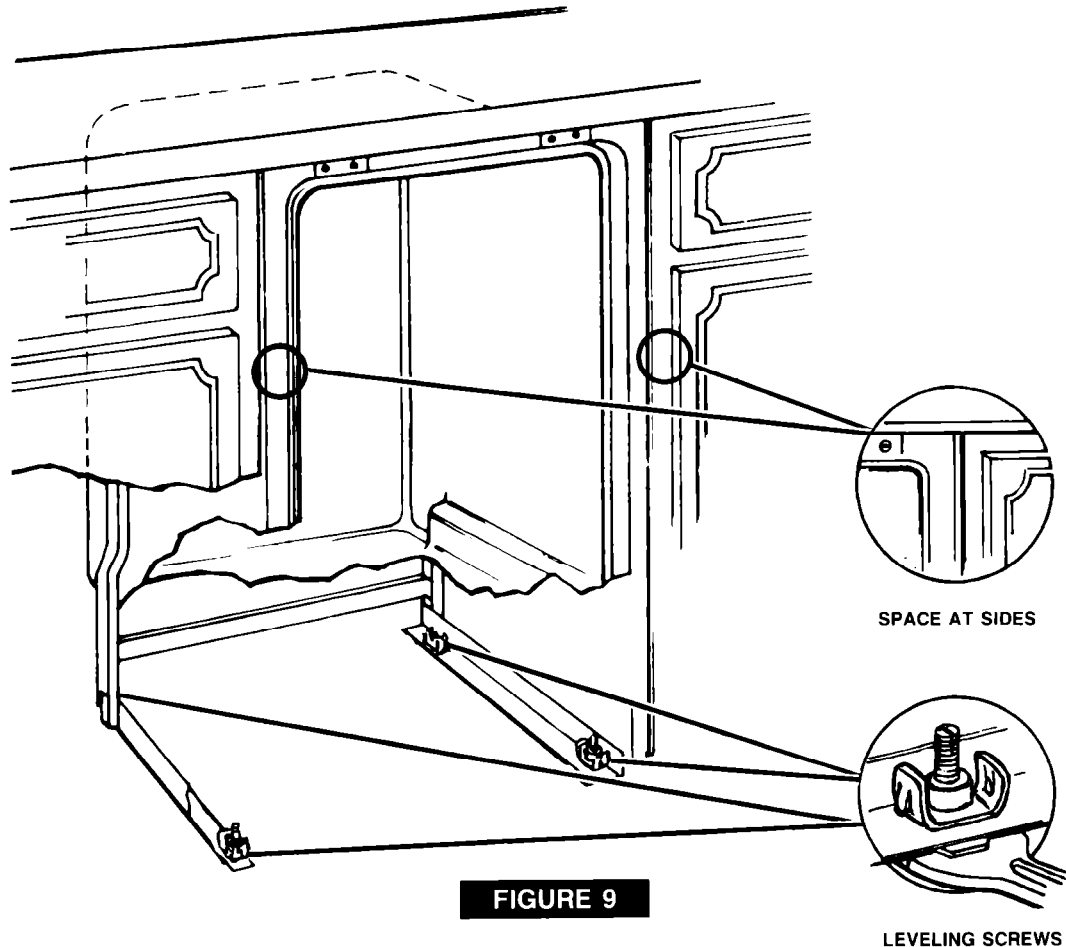


FIGURE 9

Height of Cabinet Cutout and Positioning of Leveling Legs

It is recommended that the dishwasher be installed so that it is level as possible from front to back. To do this: Measure the height of the cutout opening. If the countertop extends lower than the cabinet cutout, this is the dimension that must be used. The minimum height needed is 34". By adjusting the 4 leveling screws the unit can be installed in a cutout that is between 34" and 34½" high.

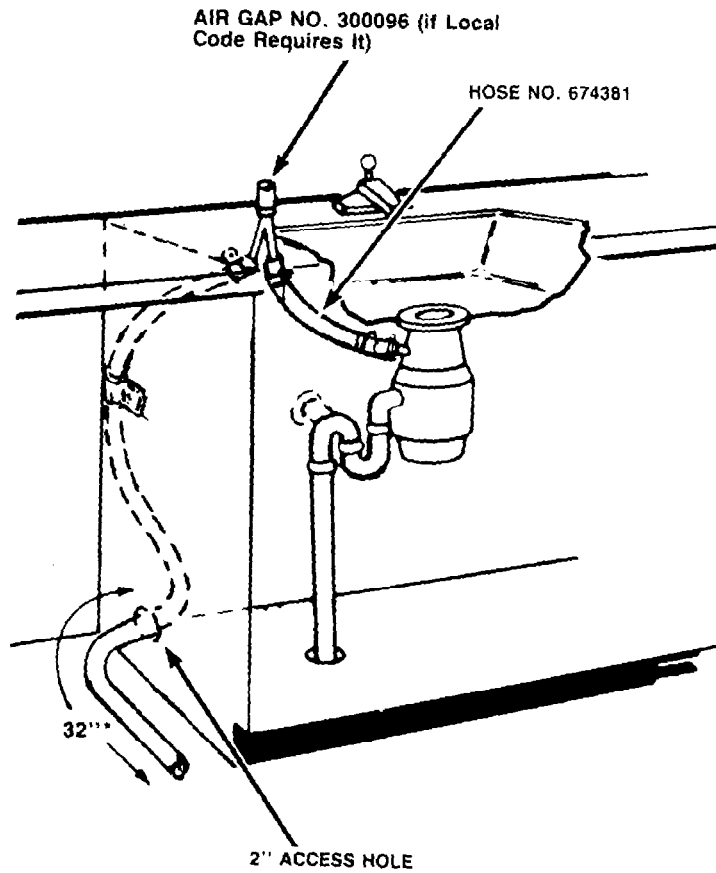
Moving Dishwasher into Opening

Now you are ready to move the dishwasher into place so that it can be aligned with adjoining cabinets. Move your dishwasher into the opening and make any adjustment necessary to:

1. Align the door front of the dishwasher, as close as possible, with the front of the cabinets. (Top to bottom)
2. Make the space between the dishwasher and the adjoining cabinets the same on each side and the same width top to bottom.

Note: The front leveling screws must set firmly against the floor. Double check to make sure the leveling legs are at the right adjustment and the dishwasher is as level as possible front to back.

Drain Hose Connection To Disposer



*If installation is on right of sink this dimension is 20".

FIGURE 10

Push your dishwasher into place, feeding the drain hose through the 2", or larger, hole you have already cut for it.

IMPORTANT: There must not be any sharp bends, kinks or twists in the installed drain hose.

Keep pulling hose out through hole while pushing dishwasher into position. Connect drain hose and secure with hose clamp from parts bag.

CAUTION: Be sure to remove knock out plug from disposer inlet before attaching drain hose.

NOTE: Be sure to periodically clean the drain air-gap line. Refer to the instructions packed with the drain air-gap for details.

IMPORTANT . . . All drain line connections to house plumbing must be made at least 20 inches above the floor level of the dishwasher to help prevent backflow of drain water into the dishwasher or siphoning.

Installation Instructions

WARNING:

Regardless of the type of plumbing material, plumbing and drain hose must not contact wiring or electrical components.

NOTE: To minimize vibration noise, the drain line must be routed so that it does not touch adjacent cabinet surfaces.

Drain Hose Connection To Sink Drain

THE DRAIN LOOP MUST BE FIXED AT A MINIMUM HEIGHT OF 32 INCHES BY USE OF A SUITABLE CLAMP OR SUPPORT, ONE TYPE OF WHICH IS SHOWN BELOW.

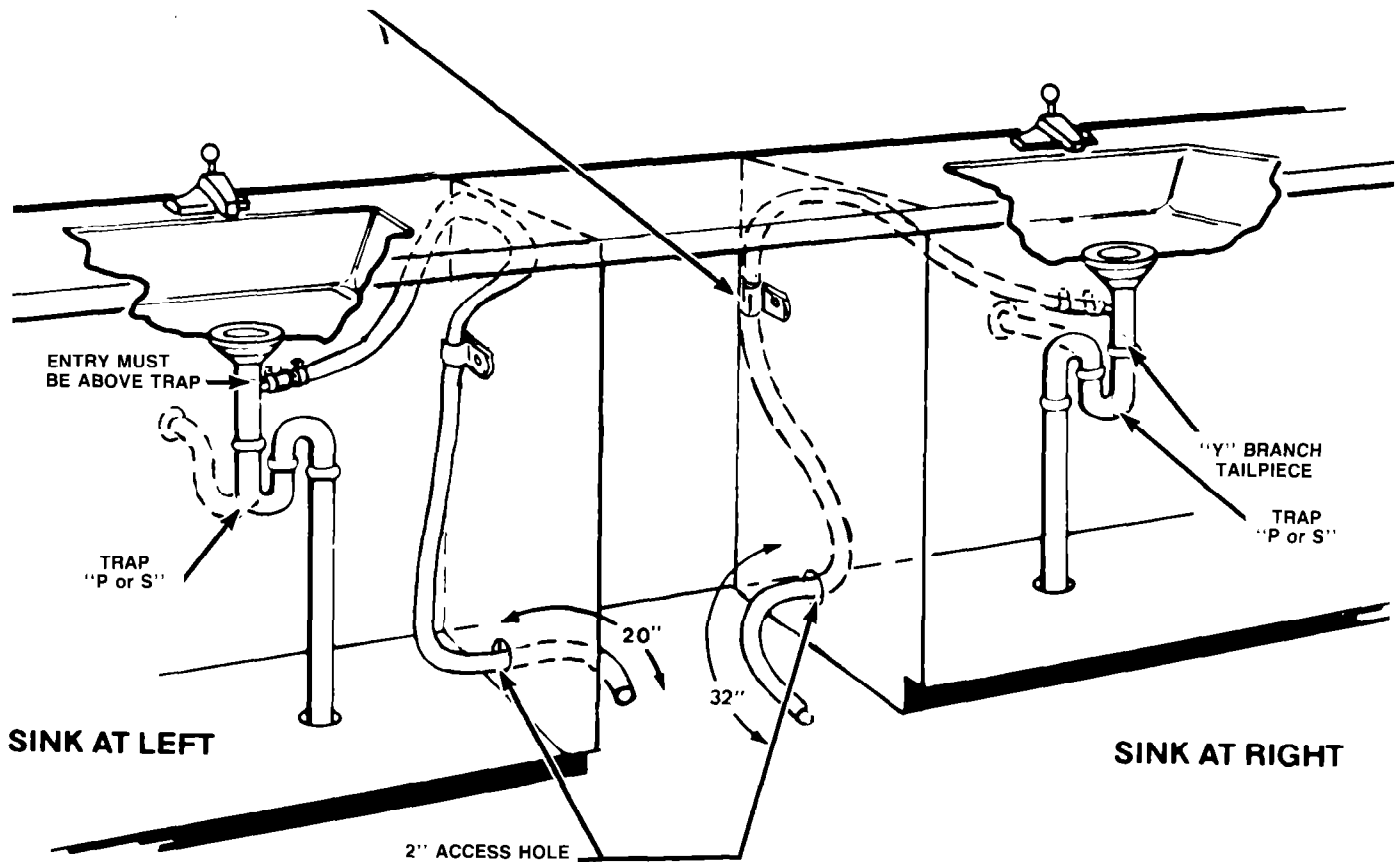


FIGURE 11

"Y" Branch Tailpiece and Connector Kit No. 675149 makes this connection easy. It includes all necessary fittings and complete instructions. If the drain hose is to be routed for attachment to a sink at the left as shown in Figures 10 and 11, do the following:

Route the hose from the dishwasher cabinet through the 2" access hole, then behind the corner support to the drain and connect. Be sure all bends are smooth and the hose is adequately supported. The free end of the hose should extend into the dishwasher cabinet 20" if the hole is on the left side, and 32" if the hole is on the right side. Cut the hose to length, being sure cut is square.

Drain Hose Connection Through Floor

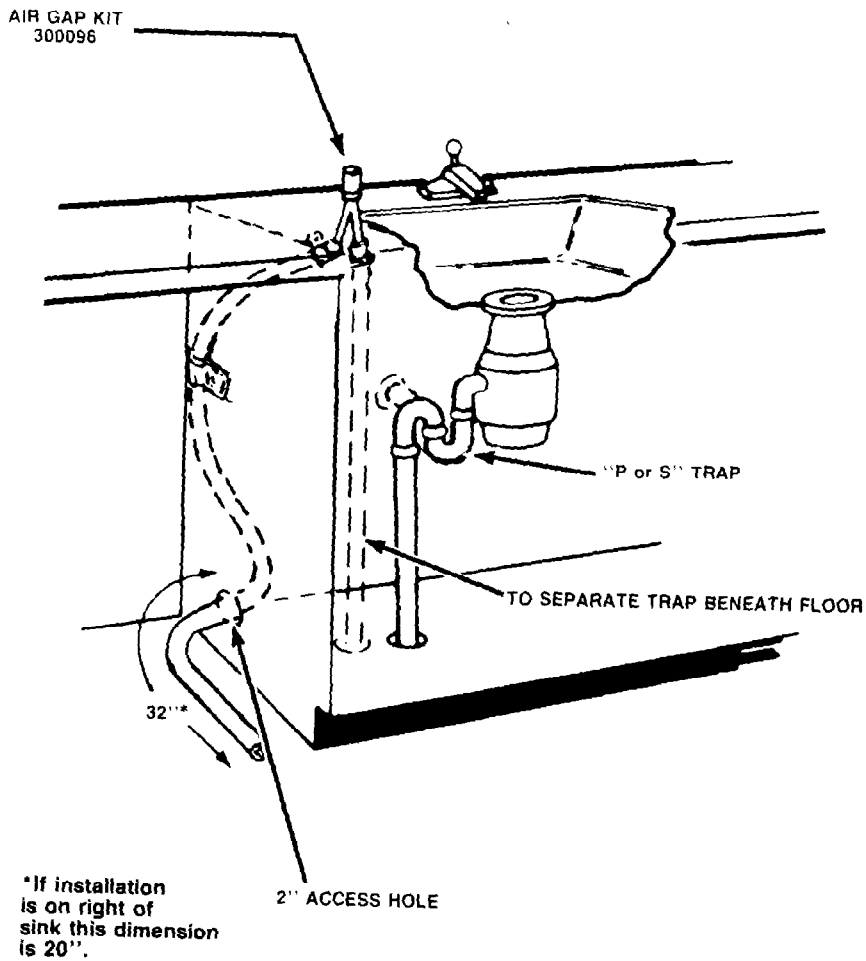


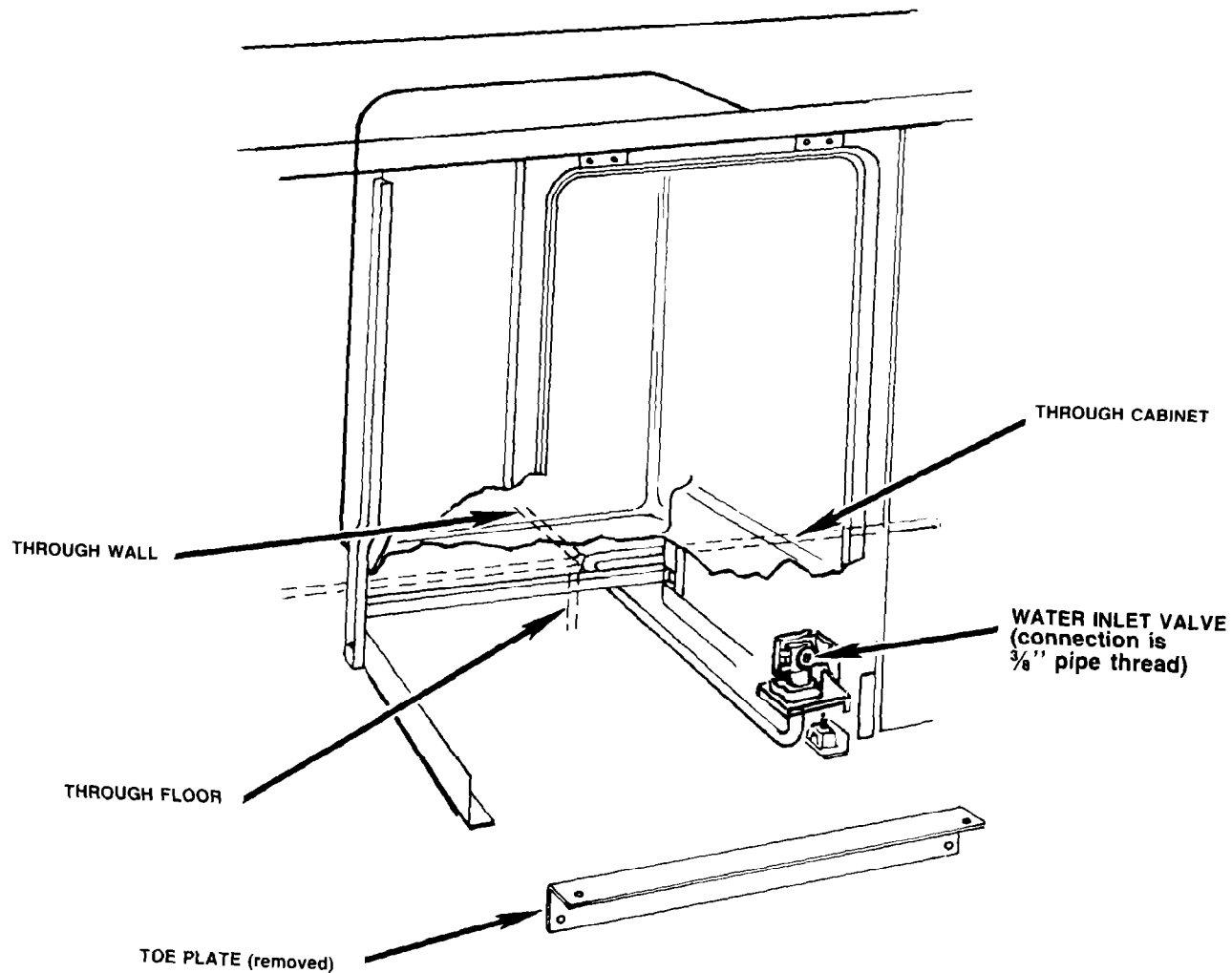
FIGURE 12

If the dishwasher drain hose is to be routed through the floor to a separate trap, the trap must be vented to prevent siphoning. To provide proper venting, install an Air Gap Kit (Part No. 300096) in the countertop. Route drain hose up to the inlet side of the Air Gap. Continue Drain line from outlet side of Air Gap down through floor to separate trap.

Installation Instructions

Connect Water Line to Dishwasher

FIGURE 13



CAUTION:
Do not solder within 6" of inlet valve to prevent damage to the plastic portion of the inlet valve.

Route your water pipe or tubing as illustrated, straight forward from the back to the inlet valve. DO NOT run it across in front of the motor.

Piping must not be kinked. It must be free of scale, chips, lubricants, etc. before you connect it to the inlet valve.

Flush line before connecting

SPECIAL REMINDER:
Make sure to place the dishwasher where its inlet valve is protected from freezing. If valve is allowed to freeze, flooding may occur.

Connect Dishwasher to Electricity

ELECTRICAL GROUND IS REQUIRED ON THIS APPLIANCE

WARNING: Improper connection of the equipment grounding conductor can result in a risk of electrical shock.

Recommended Electrical Connection and Grounding Method

This appliance must be permanently grounded in accordance with the National Electrical Code and local codes and ordinances.

WARNING: Before making electrical connections, disconnect power at fuse box or circuit breaker.

1. Remove the cover plate from appliance junction box located on the left lower frame support behind the toe plate access panel.

NOTE: Do not run the wiring in front of the motor.

2. Connect the white to white and black to black wires in the junction box with twist-on wire connectors.
3. Connect the green ground wire of the power supply cable to the ground connection screw located inside the junction box.
4. Replace junction box cover plate.

Electrical Connection

It is the personal responsibility and obligation of the customer to contact a qualified installer to assure that the electrical installation is adequate and is in conformance with the National Electrical Code and local codes and ordinances.

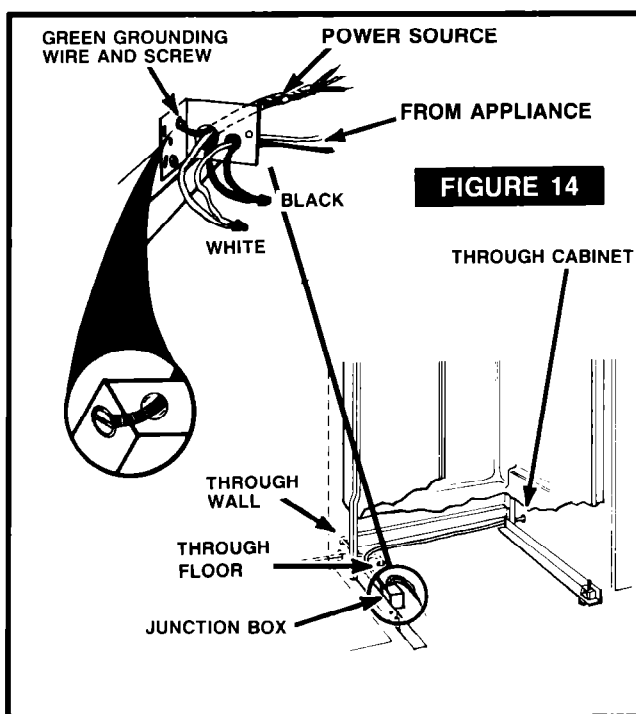
Connect the appliance directly to the fused disconnect (or circuit breaker) box or a junction box through flexible armored or non-metallic sheathed cable (with ground wire). A suitable strain relief must be provided at each end of the power supply cable (at appliance and at the junction box).

This appliance is equipped with copper lead wires. If connection is made to aluminum house wiring, use only special connectors which are approved for joining copper and aluminum wires in accordance with the National Electrical Code and local codes and ordinances.

Alternate Grounding Method

If the recommended grounding method is impossible, permanently ground the appliance from the ground connection screw inside the appliance junction box to a grounded cold water pipe* using a separate, green colored, insulated copper wire conductor of appropriate size (No. 16 minimum). Do not ground to a gas supply pipe. Do not connect to electrical supply until appliance is permanently grounded.

*Grounded cold water pipe must have metal continuity to electrical ground and not be interrupted by plastic, rubber or other electrically insulating connectors (including water meter or pump) without adding a jumper wire at these connections.



Installation Instructions

Secure Dishwasher in Cabinet Opening

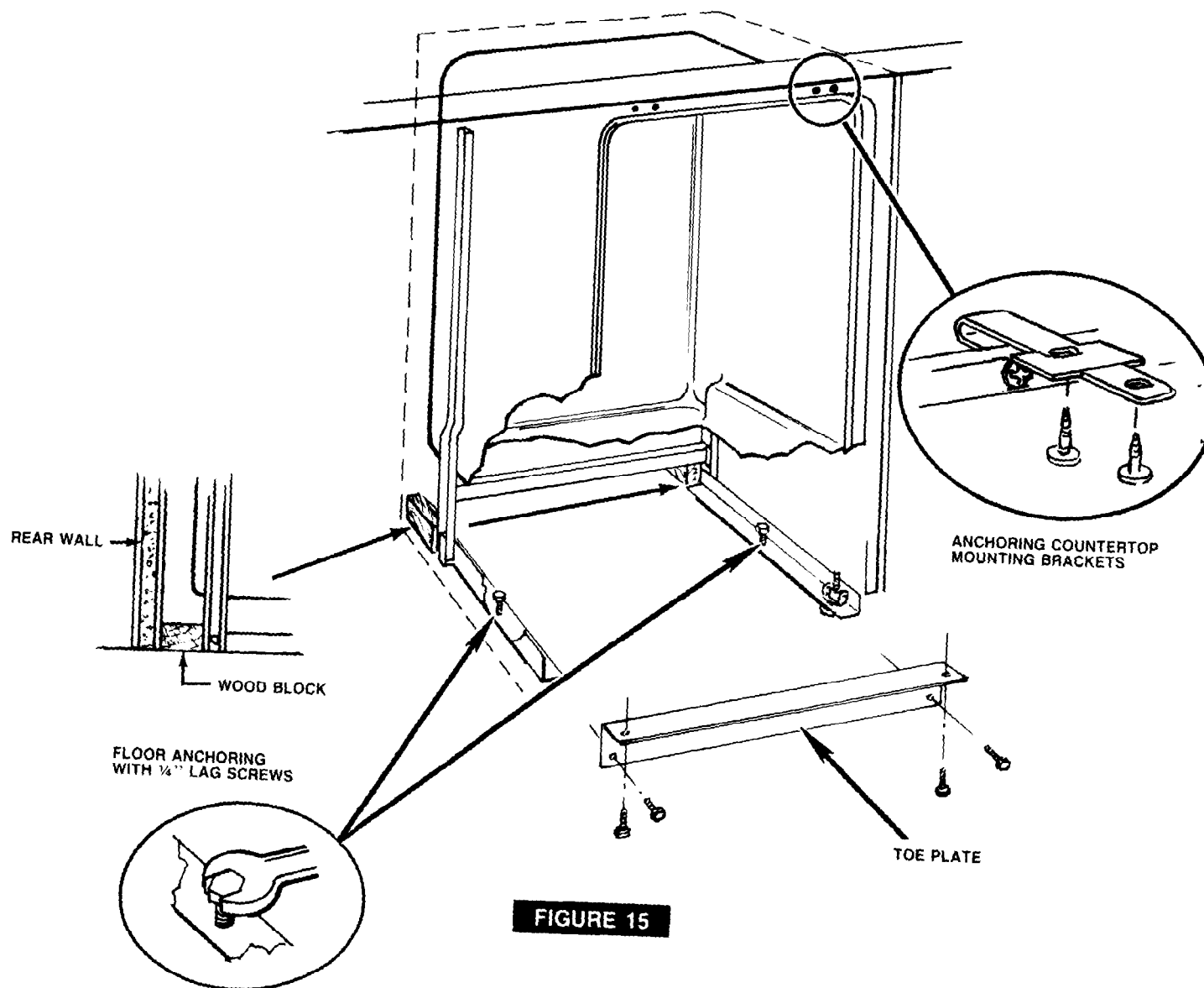


FIGURE 15

You **MUST** anchor your dishwasher to either the countertop or the floor to keep it from tilting when the door is opened or closed. Countertop screws are provided in the miscellaneous parts bag.

COUNTERTOP ANCHORING:

1. If the countertop mounting bracket flange is longer than you need, break off unneeded portion at the grooved break line.

Re-adjust leveling screws and shims, if necessary so that the mounting brackets touch the underside of the countertop.

Screw the mounting bracket firmly to the countertop.

Open and close the dishwasher door.

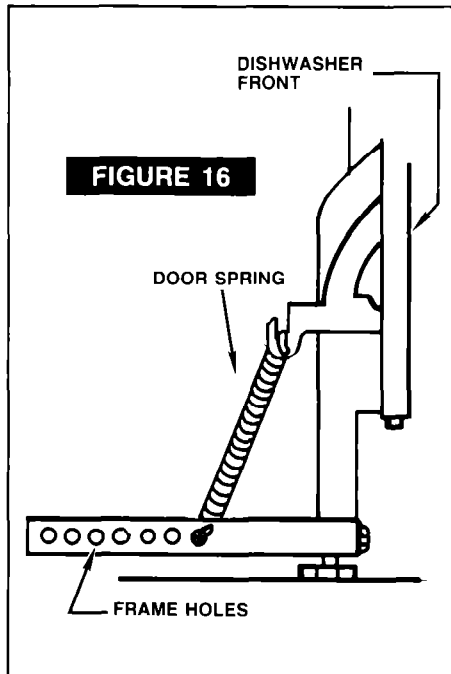
There should be no interference or scratching as it moves.

FLOOR ANCHORING:

1. Use $\frac{1}{4}$ " lag screws (purchased locally) through the holes provided as illustrated in floors other than ceramic tile, etc. (Use expansion fasteners if the floor is concrete.)
2. If the material of which the floor is made will not accept the lag screws, then it is necessary to place a wood block on the floor behind each of the rear support legs of the dishwasher.

These blocks should be cut to fit exactly the space between the supports and the rear wall. See illustration.

Adjust Door Springs and Install Access Panel



After dishwasher has been secured in the cabinet opening, check door for proper operation. If adjustment is necessary, it is recommended to disconnect the electrical power supply to the dishwasher then close door and adjust door springs with pliers so door closes easily without slamming and stays open with its own weight. See Figure 16. Install the access panel as shown on page 5.

Installation and Operaton . . .



Double Check

- Securely fastened in place.
- Water supply valve turned on.
- Checked out for leaks at joints.
- Wire connections tight, water inlet valve wiring in place.
- Make certain electricity is turned on.
- No kinks in water or drain lines.
- Recheck the removal of packing material and Customer Literature Package from interior of dishwasher.
- Spin spray arm to check movement.
- Start dishwasher.
- Check water level . . . water should fill to approximately $\frac{5}{16}$ " - $\frac{1}{2}$ " above round heater element.
- Check for leaks . . . particularly around door, pump mounting gasket, and at hose connections. Also the plumbing connection at the water inlet valve.
- Install access panel (See page 14).

Installation Instructions

Instructions for Changing Color of Front Panel

WARNING: As with any cut metal edge, use care in changing panels to avoid personal injury or damage to colored panel.

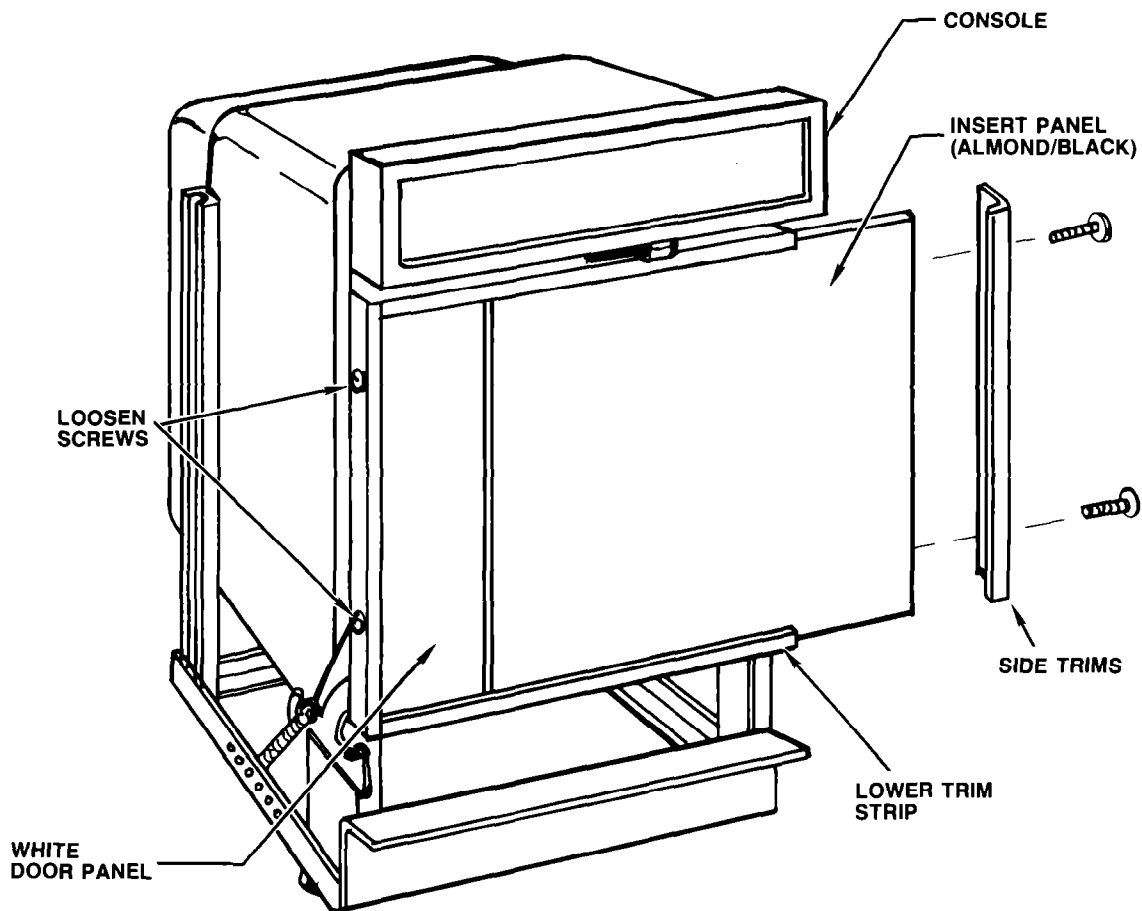


FIGURE 17

Remove one side trim

NOTE: Either side trim may be removed to change color of the Front Panel.

Step 1. Remove the two screws that fasten the side trim to the door frame.

Step 2. Loosen but do not remove screws in side trim on opposite side. See Figure 17.

Step 3. Next lift off the side trim.

Change Front Panel

Step 4. Slide the door panel sideways until it is clear of the groove in the underside of the console and the lower trim strip of the door. See Figures 17 and 18A.

Step 5A. Select the color you wish to have showing. If you want a white front panel, simply do not replace the color panel. Store the panel so that it is available for future use.

Step 5B. Press the loosened side trim against the door and tighten screws.

Step 5C. The lower trim can be pushed against the door by loosening its two mounting screws. The screws are reached by removing the lower access panel. (Figure 18A)

Step 5D. Reassemble the side trim that was removed.

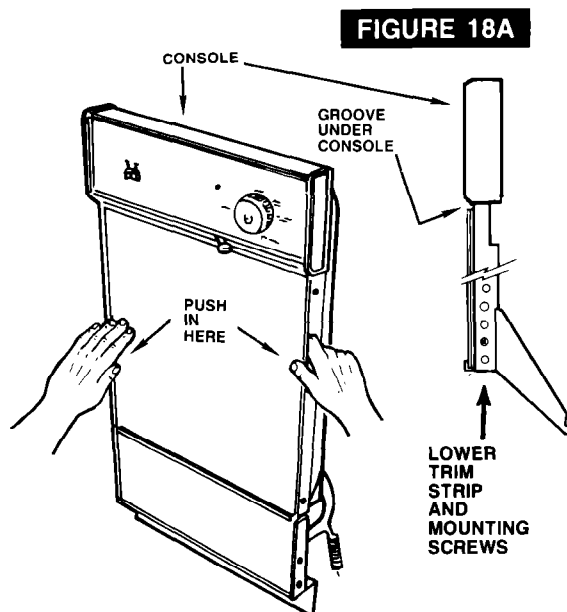
Reinstall Panel and Side Trims (If other than a white front is used).

Step 6. Position the door panel so that upper edge of the panel fits into the groove on the underside of the console, and the lower edge of the panel fits into the lower door trim. See Figure 18A.

Step 7. Slide the panel back into place, making sure the panel fits under the edge of the side trim that is still in place. See Figure 18B.

Step 8. Press loosened side trim strip tightly against the insert panel surface before securing the screws.

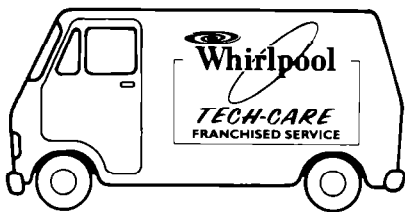
Step 9. Reassemble the side trim that was removed.



Installation Instructions



Making your world a little easier.



In the event your WHIRLPOOL appliance should need service, call the dealer from whom you purchased the appliance or a WHIRLPOOL franchised TECH-CARE® service company. He is in the Yellow Pages of your telephone directory listed under "Appliances-Household-Major-Service and Repair." You can also obtain his name and number by dialing, free, within the continental United States the Whirlpool COOL-LINE® Service (800) 253-1301. When calling from Michigan, dial (800) 632-2243; from Alaska or Hawaii, dial (800) 253-1121. Dial just as you normally dial long distance. A special operator will tell you the name and number of your nearest Whirlpool TECH-CARE service outlet. During normal working hours, Whirlpool consultants at this same number will also answer any questions about operating or maintaining your appliance not covered in your Use and Care Guide.

Learn the benefits of using TECH-CARE service for maintaining the quality originally built into your WHIRLPOOL appliance.

Part No. 93167/965139 Rev. B

Printed in U.S.A.

Refrigerators, Freezers, Dishwashers, Built-In Ovens and Surface Units, Ranges, Microwaves, Automatic Washers, Clothes Dryers, Freezers, Refrigerator-Freezers, Ice Makers, Dishwashers, Built-In Ovens and Surface Units, Ranges, Microwaves

