

30" ELECTRIC DROP-IN RANGE INSTALLATION INSTRUCTIONS

INSTALLATION AND SERVICE MUST BE PERFORMED BY
A QUALIFIED INSTALLER.

**IMPORTANT: SAVE FOR LOCAL ELECTRICAL INSPECTOR'S USE.
READ AND SAVE THESE INSTRUCTIONS FOR FUTURE REFERENCE.**

Shave Raised Edge To Clear
30" (76.2 cm)
Wide Cooktop Rim
1-1/2" Max.
(3.8 cm Max.)

Locate Cabinet Doors
1" Min. from
Cut-Out Opening

***Note:**
29" (73.7 cm)
Wide Opening
For Overlapping
Cooktop And
Built-In Look

Grounded Junction Box
in adjoining cabinet

Smoothtop Models

**ANTI-TIP BRACKET
AT REAR OF RANGE**

48" (122 cm)
Armored Cable

NOTE: Two sets of holes are provided
under anti-tip bracket. Bracket is
attached in the upper hole position at
the factory.

A. Minimum Cutout Width	B. Cutout Depth (According to front of cabinet)	C. Height of Cutout
29" (73.7 cm)	21 3/4" (55.2 cm)	29" (73.7 cm)

Do not pinch the power supply cord between the range and the wall.

Do not seal the range to the side cabinets.

***NOTE:** Allow at least 20" (50.1 cm) clearance for door depth when it is open.

****NOTE:** 24" (61 cm) minimum clearance between the cooktop and the bottom of the cabinet when the bottom of wood or metal cabinet is protected by not less than 1/4" (0.64 cm) flame retardant millboard covered with not less than No. 28 MSG sheet metal, 0.015" (0.4 mm) stainless steel, 0.024" (0.6 mm) aluminum, or 0.020" (0.5 mm) copper.

30" (76.2 cm) minimum clearance when the cabinet is unprotected.

Figure 1

30" ELECTRIC DROP-IN RANGE INSTALLATION INSTRUCTIONS

Important Notes to the Installer

1. Read all instructions contained in these installation instructions before installing range.
2. Remove all packing material from the oven before connecting the electrical supply to the range.
3. Observe all governing codes and ordinances.
4. Be sure to leave these instructions with the consumer.
5. Oven door may be removed to facilitate installation.
6. Do not lift the range by the door handle.

Important Note to the Consumer

Keep these instructions with your owner's guide for future reference.

IMPORTANT SAFETY INSTRUCTIONS

- Be sure your range is installed and grounded properly by a qualified installer or service technician.
- This range must be electrically grounded in accordance with local codes or, in their absence, with the National Electrical Code ANSI/NFPA No. 70—latest edition.
- The installation of appliances designed for manufactured (mobile) home installation must conform with Manufactured Home Construction and Safety Standard, title 24CFR, part 3280 [Formerly the Federal Standard for Mobile Home Construction and Safety, title 24, HUD (part 280)] or when such standard is not applicable, the Standard for Manufactured Home Installation 1982 (Manufactured Home Sites, Communities and Setups), ANSI Z225.1/NFPA 501A—latest edition, or with local codes.
- Make sure the wall coverings around the range can withstand the heat generated by the range.

⚠ WARNING

- All ranges can tip.
- Injury to persons could result.
- Install anti-tip device packed with range.



⚠ WARNING

To reduce the risk of tipping of the range, the range must be secured by properly installed anti-tip screws, for models with coil elements. They are located in a plastic bag in the oven. For smoothtop models, the anti-tip bracket located at the rear of the range fits under the countertop and prevents range from tipping. Failure to install the anti-tip screws will allow the range to tip over if excessive weight is placed on an open door or if a child climbs upon it. Serious injury might result from spilled hot liquids or from the range itself.



- Before installing the range in an area covered with linoleum or any other synthetic floor covering, make sure the floor covering can withstand heat at least 90°F above room temperature without shrinking, warping or discoloring. Do not install the range over carpeting unless you place an insulating pad or sheet of 1/4" thick plywood between the range and carpeting.

⚠ WARNING Never leave children alone or unattended in the area where an appliance is in use.

As children grow, teach them the proper, safe use of all appliances. Never leave the oven door open when the range is unattended.

⚠ WARNING Stepping, leaning or sitting on the door of this range can result in serious injuries and can also cause damage to the range.

- Do not store items of interest to children in the cabinets above the range. Children could be seriously burned climbing on the range to reach items.
- To eliminate the need to reach over the surface units, cabinet storage space above the units should be avoided.
- Do not use the oven as a storage space. This creates a potentially hazardous situation.
- Never use your range for warming or heating the room. Prolonged use of the range without adequate ventilation can be dangerous.
- Do not store or use gasoline or other flammable vapors and liquids near this or any other appliance. Explosions or fires could result.
- Reset all controls to the "off" position after using a programmable timing operation.

FOR MODELS WITH SELF-CLEAN FEATURE:

- Remove broiler pan, food and other utensils before self-cleaning the oven. Wipe up excess spillage. Follow the precleaning instructions in the Use and Care Guide.

30" ELECTRIC DROP-IN RANGE INSTALLATION INSTRUCTIONS

Electrical Requirements

This appliance must be supplied with the proper voltage and frequency, and connected to an individual, properly grounded branch circuit, protected by a circuit breaker or fuse, having amperage as noted on the rating plate (the rating plate is located on the oven frame).

If local codes permit, you can use a 3-wire single phase 120/208 or 120/240 Volt, 60Hz AC only electrical system. If you connect to aluminum wiring, properly installed connectors approved for use with aluminum wiring must be used.

NOTE: Wire sizes and connections must conform with the fuse size and rating of the appliance in accordance with the National Electrical Code ANSI/NFPA No. 70- latest edition, and local codes and ordinances.

! WARNING

Electrical Shock Hazard

- Electrical ground is required on this appliance.
- Do not connect to the electrical supply until appliance is permanently grounded.
- Disconnect power to the junction box before making the electrical connection.
- This appliance must be connected to a grounded, metallic, permanent wiring system, or a grounding connector should be connected to the grounding terminal or wire lead on the appliance.
- Do not use a gas supply line for grounding the appliance.

Failure to do any of the above could result in a fire, personal injury or electrical shock.

This appliance is manufactured with a neutral (white) power supply wire and a cabinet-connected green (or bare copper) grounding wire.

Connect the appliance cable to the junction box through the U.L.-listed conduit connector. Complete electrical connection according to local codes and ordinances. (For preferred junction box location, see Figure 1.)

Where local codes permit connecting the cabinet-grounding conductor to the neutral (white) junction box wire (see Figure 2)

1. Disconnect the power supply.
2. In the circuit breaker, fuse box or junction box: connect the appliance and the residence cable wires as shown in figure 2.

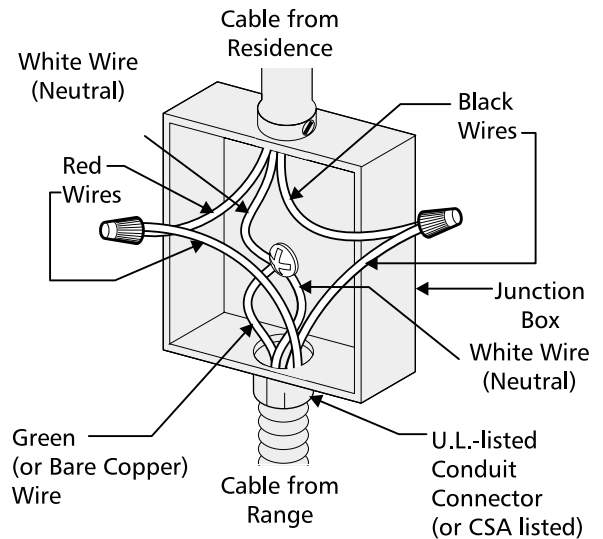


Figure 2
3-Wire (Grounded Neutral) Electrical System
(Example: Junction Box)

30" ELECTRIC DROP-IN RANGE INSTALLATION INSTRUCTIONS

When connecting to a 4-wire electrical system, when installing in a mobile home, or when local codes DO NOT permit connecting the cabinet-grounding conductor to the neutral (white) junction box wire (see Figure 3)

1. Disconnect the power supply.
2. Separate the green (or bare copper) and white appliance cable wires.
3. In the circuit breaker, fuse box or junction box: connect appliance and residence cable wires as shown in figure 3.

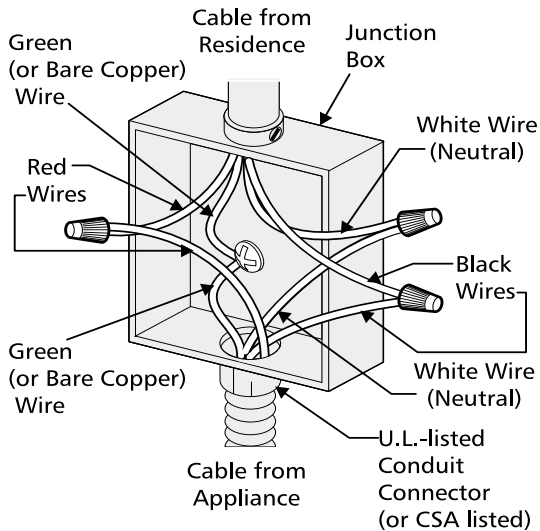


Figure 3 – 4-Wire Electrical System (Example: Junction Box)

⚠ WARNING Improper connection of aluminum house wiring to copper leads can result in a short circuit or fire. Use only connectors designed for joining copper to aluminum, and follow the manufacturer's recommended procedure closely.

NOTE TO ELECTRICIAN: The armored cable leads supplied with this appliance are UL-recognized for connection to larger gauge household wiring. The insulation of the leads is rated at temperatures much higher than the temperature rating of household wiring. The current carrying capacity of the conductor is governed by the temperature rating of the insulation around the wire, rather than the wire gauge alone.

Range Installation

⚠ WARNING The electrical power to the range must be shut off while line connections are being made. Failure to do so could result in serious injury or death.

This range is designed to hang from the countertop. It does not rest on the floor.

Be sure the bottom of any wall cabinets are a minimum of 30" (76.2 cm) above the range top area.

To eliminate the hazard of reaching over heated surface units, cabinet storage space located above the surface units should be avoided. If cabinet storage is to be provided, the hazard can be reduced by installing a range hood that projects horizontally a minimum of 5" (12.7 cm) beyond the bottom front edge of the cabinets.

1. Install base cabinets 29" (73.7 cm) apart, and be sure they are plumb and level before attaching to countertop.
2. Cut countertop exactly as shown in Figure 1. Shave raised edge level to clear 30" (76.2 cm) wide rim on rolled edge styled countertops.
3. Install the wiring junction box in an adjoining cabinet or under the floor (range has 48"/122 cm of conduit). Cut 1-1/4" (3.2 cm) hole to bring conduit to the junction box.
4. Push the electric conduit through the hole and attach it to the junction box. Leave enough slack in the conduit to allow the range to be pulled forward several inches for service if necessary.
5. Oven door is heavy. It is advisable to remove door and eliminate its weight as range is lifted into position. See oven door removal instructions in the Use and Care Guide. Lift the range into position on the countertop.
6. This range may be equipped with an anti-tip bracket attached to the back of the range with two screws. If countertop thickness is greater than 1/2" (1.3 cm), relocate anti-tip bracket to the lower position 1/4" (6.4 mm) below (see Figure 1).
7. Ranges with a lift-up cooktop have 4 anti-tip screws included in the literature pack (see Figure 4). Lift the countertop and secure range burner box to cabinet with these screws to prevent range from tipping.

30" ELECTRIC DROP-IN RANGE INSTALLATION INSTRUCTIONS

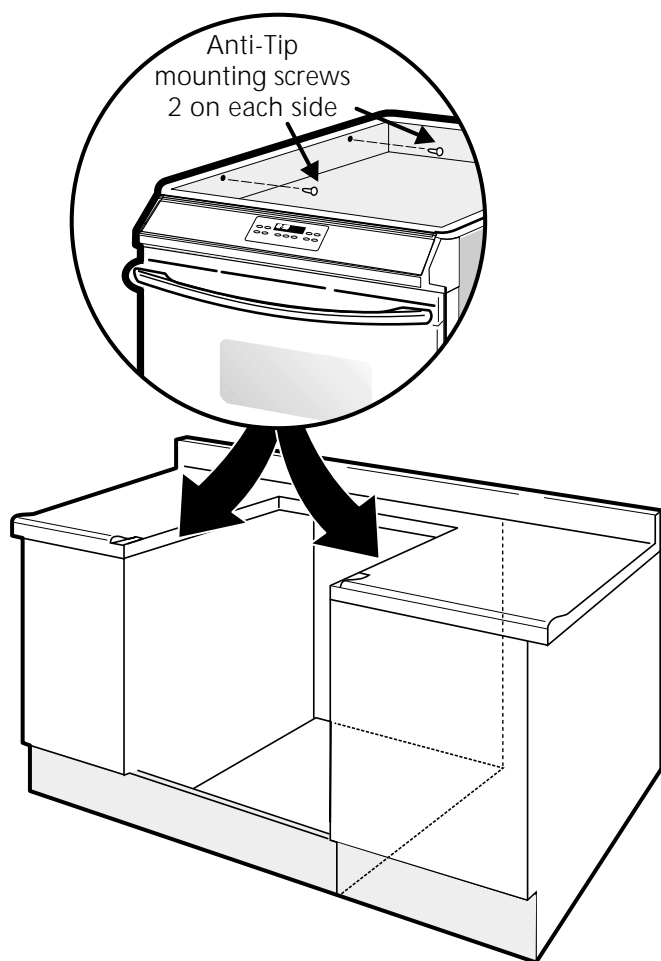


Figure 4

Checking Operation

Some models have manual controls. Refer to the [Owner's Guide](#) and check all controls for correct operation.

Some models are equipped with an electronic oven control. Each of the functions has been factory checked before shipping. However, it is suggested that you verify the operation of the electronic oven controls once more. Refer to the [Owner's Guide](#) for operation. Follow the instructions for the Clock, Timer, Bake, Broil, Convection (some models) and Clean (some models) functions.

Bake—After setting the oven to 350°F (177°C) for baking, the lower element in the oven should become red.

Broil—When the oven is set to BROIL, the upper element in the oven should become red.

Clean (some models)—When the oven is set for a self-cleaning cycle, the upper element should become red during the preheat portion of the cycle. After reaching the self-cleaning temperature, the lower element will become red.

Convection (some models)—When the oven is set for convection baking or roasting, both elements cycle on and off alternately and the convection fan will turn. The convection fan will stop turning when the oven door is opened during convection baking or roasting.

IMPORTANT NOTE: A fan inside the upper rear part above the oven (some models) provides additional cooling of the oven electrical and electronic components. The fan will continue to run after the oven has been operating at high temperatures.

Model and Serial Number Location

The serial plate is located along the side of the oven door in the open position.

When ordering parts for or making inquiries about your oven, always be sure to include the model and serial numbers and a lot number or letter from the serial plate on your oven.

Before You Call for Service

Read the Avoid Service Checklist and operating instructions in your [Owner's Guide](#). It may save you time and expense. The list includes common occurrences that are not the result of defective workmanship or materials in this appliance.

Refer to the warranty in your [Owner's Guide](#) for our toll-free service number and address. Please call or write if you have inquiries about your product and/or need to order parts.

30" ELECTRIC DROP-IN RANGE INSTALLATION INSTRUCTIONS

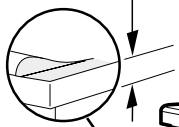
Notes

INSTRUCCIONES DE INSTALACION PARA LA ESTUFA ELECTRICA EMPOTRABLE DE 30"

LA INSTALACION Y EL SERVICIO DEBEN SER EFECTUADOS POR UN INSTALADOR CALIFICADO.
IMPORTANTE: GUARDE ESTAS INSTRUCCIONES PARA USO DEL INSPECTOR LOCAL DE ELECTRICIDAD.
LEA Y GUARDE ESTAS INSTRUCCIONES PARA REFERENCIA FUTURA.

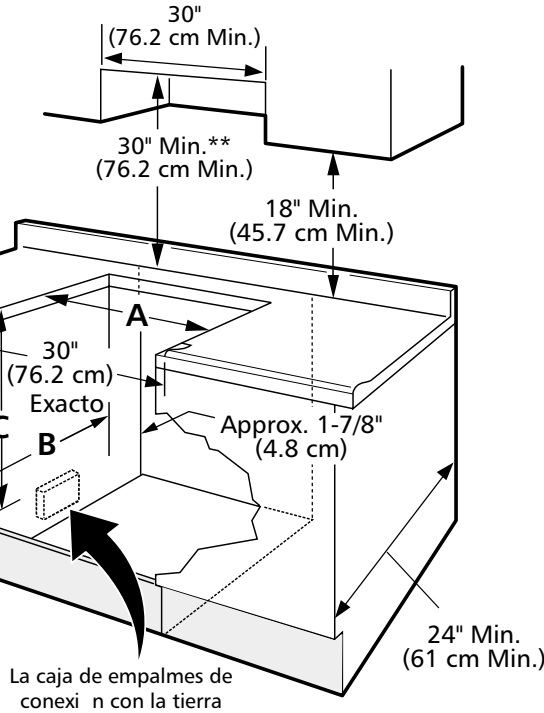
Acepille el borde subido a que deje espacio para un borde de 30" (76.2 cm) de anchura de estufa.

1-1/2" Max. (3.8 cm Max.)



bi ue las puertas de los armarios un m nimo de 1 de la abertura.

***Not :** Abertura de 29" (73.7 cm) de anchura para la superficie de estufa traslapada la apariencia de estar incorporada.



Modelos de superficie lisa



48" (122 cm) Cable Blindado

NOTA: Hay dos juegos de agujeros debajo del soporte antivuelco. El soporte viene colocado, desde la fábrica, en el agujero superior.

No pellizque el cordón eléctrico entre la estufa y la pared.

No selle la estufa a los armarios de lado.

***NOTA:** Deje por los 20" (50.1 cm) de espacio libre para la profundidad de la puerta cuando esta abierta.

****NOTA:** Un espacio mínimo de 24" (61 cm) entre la superficie de la estufa y el fondo del armario cuando el fondo del armario de madera o metal está protegido por no menos de 1/4" (0.64 cm) de madera resistente al fuego cubierta por una lámina metálica de MSG, número 28, 0.015" (0.4 mm) de acero inoxidable, 0.024" (0.6 mm) de aluminio, ó 0.02" (0.5 mm) de cobre.

Un espacio mínimo de 30" (76.2 cm) cuando el armario no está protegido.

A. Anchura mínima de recortado	B. Profundidad de recortado (según parte delantera del armario)	C. Altura del armario
29" (73.7 cm)	21 3/4" (55.2 cm)	29" (73.7 cm)

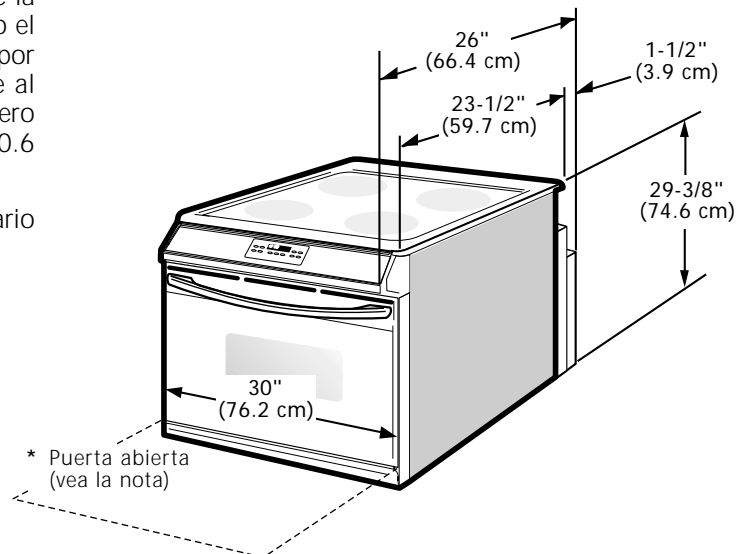
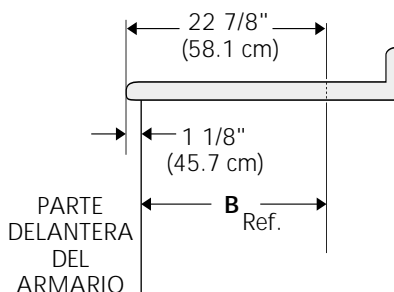


Figura 1

INSTRUCCIONES DE INSTALACION PARA LA ESTUFA ELECTRICA EMPOTRABLE DE 30"

Notas importantes para el instalador

1. Lea todas las instrucciones contenidas en este manual antes de instalar la estufa.
2. Saque todo el material usado en el embalaje del compartimiento del horno antes de conectar el suministro eléctrico a la estufa.
3. Observe todos los códigos y reglamentos pertinentes.
4. Deje estas instrucciones con el comprador.
5. Para facilitar la instalación puede quitarse la puerta del horno.
6. No levante la estufa por la manija de la puerta.

Nota importante para el consumidor

Conserve estas instrucciones y el Manual del Usuario para referencia futura.

IMPORTANTES INSTRUCCIONES DE SEGURIDAD

- **Asegúrese que su cocina está instalada y conectada adecuadamente a tierra por un instalador calificado o un técnico de servicio.**
- **Esta cocina debe ser conectada a tierra eléctricamente de acuerdo con los códigos locales, o de no existir, con la National Electrical Code ANSI/NFPA No.70- última edición.**
- La instalación de electrodomésticos destinados para casas (movibles) deben conformarse con la Manufactured Home Construction and Safety Standard, título 24CFR, parte 3280 [antiguamente la Federal Standard for Mobile Home Construction and Safety, título 24, HUD (parte 280)] o cuando este código no se aplica, la Standard for

⚠ ADVERTENCIA

- Todas las cocinas pueden inclinarse.
- Esto puede provocar lesiones personales.
- Instale el dispositivo anti-inclinación que viene con la cocina.



⚠ ADVERTENCIA

Para reducir el riesgo de que se vuelque la estufa, hay que asegurarla adecuadamente colocándole los soportes antivuelco que se proporcionan, para modelos con elementos de bobina. Las piezas se encuentran en un saco de plástico en el horno. Para modelos de tapa lisa, el soporte antivuelco que se encuentra al fondo de la estufa cabe debajo del tablero y evita que la estufa se vuelque. Si no se instalan los tornillos antivuelco, la estufa podrá volcarse si se le pone peso excesivo en la puerta abierta o si un niño se sube a ella. Esto puede resultar en daño serio si líquidos calientes se derramaran o si la estufa se cayera.



Manufactured Home Installation 1982 (Manufactured Home sites, communities and setups) ; ANSIZ225.1/ NFPA 501A- última edición o con códigos locales.

- **Asegúrese que el empapelado de pared alrededor de la cocina pueda resistir el calor generado por la cocina.**
- **Antes de instalar la cocina en una área cubierta de linóleo o cualquier otro revestidor de piso sintético, asegúrese que éste pueda resistir al menos 90°F sobre la temperatura de la pieza sin encogerse, ladearse o descolorirse.** No instale la cocina encima de una alfombra a menos que coloque una placa de aislamineto o una plancha de 1/4" de madera entre la cocina y el alfombrado.

⚠ ADVERTENCIA Nunca deje a los niños solos o sin cuidado en el área donde el electrodoméstico está en uso. A medida que los niños crezcan, enséñeles el uso adecuado de los electrodomésticos. Nunca deje la puerta del horno abierta cuando la cocina esté sin supervisión.

⚠ ADVERTENCIA Pisar, apoyarse o sentarse en las puertas o los cajones de la cocina pueden causar graves heridas y también dañar la cocina.

- **No coloque cosas que atraigan a los niños sobre los gabinetes encima de la cocina.** Los niños podrían sufrir quemaduras tratando de alcanzarlos.
- **Para eliminar la necesidad de ir a buscar algo por encima de los quemadores, no coloque gabinetes por encima de éstos.**
- **No use el horno como espacio de almacenamiento.** Esto crea una situación muy peligrosa.
- **Nunca use su cocina para calentar la pieza.** El uso prolongado de la cocina sin ventilación adecuada puede ser peligroso.
- **No guarde o use gasolina u otros vapores inflamables y líquidos cerca de éste o cualquier otro electrodoméstico.** Esto podría causar una explosión o un incendio.
- **Vuelva a programar todos los controles a la posición "off" (apagado) después de haber utilizado el conteo contador automático.**

PARA LOS MODELOS CON AUTO-LIMPIEZA:

- **Retire el rostizador, la comida y otros utensilios antes de auto-limpiar el horno.** Limpie todo exceso de derrames. Siga las instrucciones para la pre-limpieza en el Manual del usuario.

Requisitos eléctricos

Este artefacto debe ser suministrado con el voltaje y la frecuencia adecuados, y conectado a un circuito individual correctamente puesto a tierra, protegido por un cortacircuitos o un fusible con el amperio anotado en la placa de calificación (la placa se encuentra en el armazón del horno).

Si los códigos locales lo permiten, se puede usar un sistema eléctrico de 3 alambres de fase única de 120/208 ó 120/240 voltios, 60Hz AC solamente. Si se conecta a un alambrado de aluminio, tienen que usarse conectores bien instalados y aprobados para uso con el alambrado de aluminio.

NOTA: Los tamaños de alambres y conectores deben conformarse con el tamaño del fusible y la calificación del artefacto de acuerdo con el Código Eléctrico Nacional ANSI/NFPA No. 70-última edición y los códigos y ordenanzas locales.

⚠ ADVERTENCIA

Riesgo de choque eléctrico

- Una puesta a tierra se requiere en este aparato.
- No lo conecte a la corriente eléctrica hasta que el aparato haya sido puesto a tierra.
- Desconecte la corriente eléctrica a la caja de empalmes antes de hacer la conexión eléctrica.
- Este aparato debe estar conectado con un sistema de alambres puesto en tierra, metálico y permanente o un conector de puesta a tierra debe conectarse al terminal de puesta a tierra o el alambre conductor en el aparato.
- No utilice el suministro de gas para hacer la puesta a tierra.

La falta de hacer cualquier de las cosas arriba podría resultar en un incendio, choque eléctrico o lesiones personales.

Este aparato está fabricado con un alambre eléctrico neutro (blanco) y un alambre verde (o alambre pelado) de puesta a tierra conectado al gabinete.

Conecte el cable del aparato a la caja de empalmes por medio del conductor de unión listado-UL. Complete la conexión según los códigos y ordenanzas locales. (Para la ubicación preferida de la caja de empalmes, véase la Figura 1.)

Donde los códigos locales permitan la conexión del conductor de gabinete-puesta a tierra con el alambre neutro (blanco) de la caja de empalmes (vea figura 2)

1. Desconecte la fuente de alimentación.
2. En el disyuntor, caja de fusibles o la caja de distribución: conecte el artefacto y los cables de la residencia como se muestra en la figura 2.

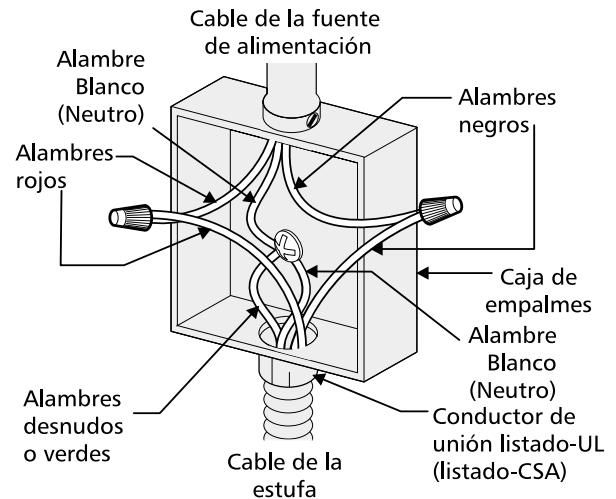


Figura 2 - Sistema eléctrico (ejemplo: caja de empalmes) de 3 alambres (a tierra neutra)

Donde los códigos locales NO permitan conectar el conductor de puesta a tierra del electrodoméstico al neutral (blanco), o si está conectado con un sistema a 4 alambres (vea figura 3):

1. Desconecte el suministro eléctrico
2. Separe el alambre verde (o cobre desnudo) y el alambre blanco del electrodoméstico.
3. En el disyuntor, caja de fusibles o la caja de distribución: conecte el artefacto y los cables de la residencia como se muestra en la figura 3.

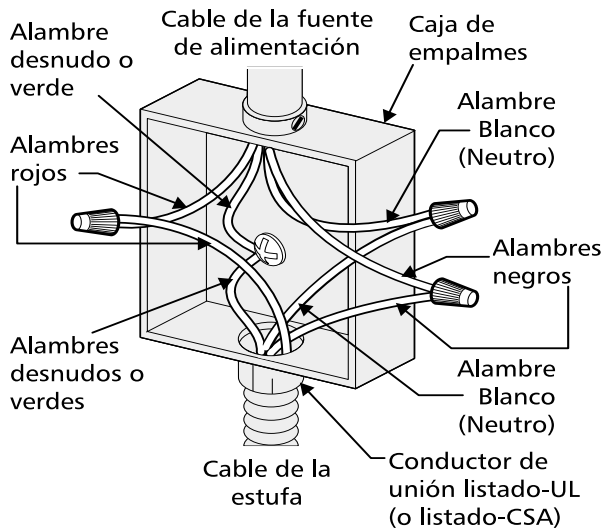


Figura 3 - Sistema eléctrico de 4 alambres (ejemplo caja de empalme)

⚠ ADVERTENCIA Una conexión incorrecta del alambrado de aluminio con los conductores de cobre puede resultar en un cortocircuito o incendio. Use solamente los conectores diseñados para juntar el cobre con el aluminio y siga exactamente el procedimiento recomendado por el fabricante.

NOTA AL ELECTRICISTA: Los conductores de cable blindados provistos con este artefacto son aprobados por UL para la conexión al alambrado de casa de un calibre mayor. El aislamiento de los conductores está calificado para temperaturas más altas que las del alambrado de la casa. La capacidad de corriente del conductor está gobernada por la calificación de la temperatura del aislamiento alrededor del alambre en vez de solamente el calibre del alambre.

Instalación de la estufa

⚠ ADVERTENCIA La corriente eléctrica a la estufa debe apagarse mientras se hagan las conexiones. Si no se hace esto puede provocar daño serio o muerte.

Esta estufa está diseñada para colocarse en el tablero. No se sostiene en el piso.

Asegúrese de que la parte baja de los armarios esté a una altura de un mínimo de 30" (76.2 cm) del área de la estufa.

Para eliminar el peligro de tener que extender el brazo por encima de la superficie caliente de la estufa, se debe evitar la instalación de gabinetes por encima de ella. Si hay que instalar gabinetes por encima de la estufa, se puede reducir el riesgo instalando un ventilador de estufa que se proyecte horizontalmente un mínimo de 5" (12.7 cm) más allá del borde delantero inferior de los gabinetes.

1. Instale los gabinetes inferiores con una separación de 29" (73.7 cm), y asegúrese de que estén a plomo y nivelados antes de unirlos al tablero.
2. Corte el tablero exactamente como se muestra en la Figura 1. Cepille a nivel el borde levantado, para que libre un filete de 30" (76.2 cm) de ancho en tableros con bordes laminados.
3. Instale la caja de conexiones eléctricas en un armario adjunto o debajo del piso (la estufa tiene 48" /122 cm de alambre). Abra un agujero de 1-1/4" (3.2 cm) para traer el alambre hasta la caja de conexiones.
4. Introduzca el alambre eléctrico por el agujero y fíjelo a la caja. Deje suficiente alambre flojo para permitir que la estufa se jale hacia delante varias pulgadas si fuera necesario darle servicio.
5. La puerta del horno es pesada. Se recomienda que se quite la puerta y elimine su peso mientras se está colocando la estufa en su posición. Vea las instrucciones sobre cómo quitar la puerta de la estufa. Levante y coloque la estufa en su posición en el tablero.
6. Esta estufa puede traer soportes antivuelco, fijados al dorso de la estufa con dos tornillos. Si el grueso del tablero es más de 1/2" (1.3 cm), coloque de nuevo el soporte antivuelco en la posición más baja, de 1/4" (6.4 mm). (Vea Figura 1).
7. Las estufas con una tapa para cocinar que se levanta tienen 4 tornillos antivuelco que se incluyen en el paquete de instrucciones (vea Figura 4). Levante la tapa y fije la caja de hornillas al armario con estos tornillos para evitar que la estufa se vuelque.

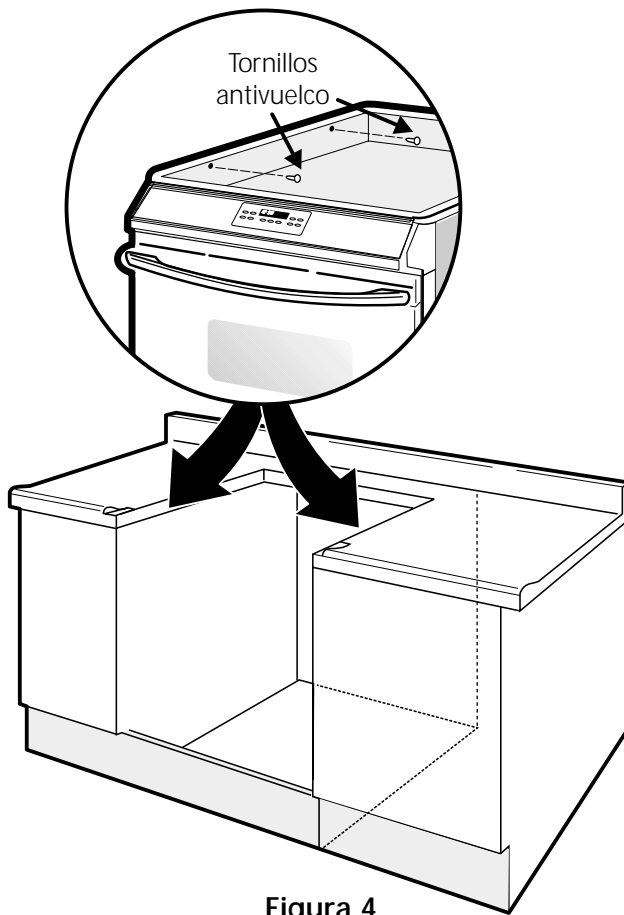


Figura 4

Comprobación del funcionamiento

Algunos modelos tienen controles manuales. Consulte el [Manual del Usuario](#) y asegúrese de que todos los controles funcionen correctamente.

Algunos modelos están equipados con un control electrónico. Cada función ha sido probada en la fábrica antes del transporte. Sin embargo, sugerimos que Ud. verifique el funcionamiento de los controles del horno una vez más. Véase el [Manual del Usuario](#) para la operación. Siga las instrucciones para el reloj minuterero, Cocer, Asar, Convección (algunos modelos) y las funciones de limpieza (algunos modelos).

Bake/Cocer—Después de poner el horno a 350°F (177°C) para cocer, el elemento inferior debe ponerse rojo.

Broil/Asar—Cuando está puesto para BROIL, el elemento superior se debe poner rojo.

Clean/Limpieza (algunos modelos)—Cuando el horno está puesto para un ciclo de auto-limpieza, el elemento superior se pondrá rojo durante el período de precalentamiento del ciclo. Después de alcanzar la temperatura de auto-limpieza, el elemento inferior se pondrá rojo.

Convection/Convección (algunos modelos)—Cuando el horno se pone a CONV/BAKE los dos elementos se encienden y se apagan alternando en un ciclo y el ventilador se pone en marcha. El ventilador de convección se parará cuando se abre la puerta del horno durante el cocido o el asado por convección.

NOTA IMPORTANTE: Un ventilador en la parte superior y atrás, arriba del horno (algunos modelos) provee un enfriamiento adicional para los componentes eléctricos y electrónicos del horno. El ventilador seguirá en marcha cuando el horno ha estado operando a las temperaturas altas.

Ubicación del número de modelo y de serie

La placa con el número de modelo y de serie está ubicada en el borde de la puerta del horno en la posición abierta.

Cuando haga pedidos de repuestos o solicite información con respecto a su horno, esté siempre seguro de incluir el número de modelo y de serie y el número o letra del lote de la placa de serie de su horno.

Antes de llamar al servicio

Lea la sección Lista de Control de Averías en su [Manual del Usuario](#). Esto le podrá ahorrar tiempo y gastos. Esta lista incluye ocurrencias comunes que no son el resultado de defectos de materiales o fabricación de este artefacto.

Lea la garantía y la información sobre el servicio en su [Manual del Usuario](#) para obtener el número de teléfono gratuito y la dirección del servicio. Por favor llame o escriba si tiene preguntas acerca de su horno o necesita repuestos.

Notas