



Packaged Terminal Air Conditioner (PTAC) and Terminal Heat Pump (PTHP)

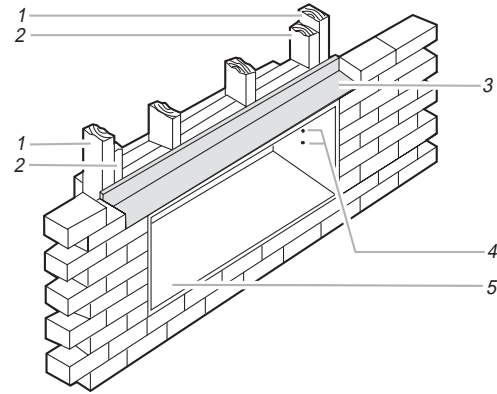
PRODUCT MODEL NUMBERS

ATE0742BPP	ATE1243CPP	ATR0742RPP	ATR1243SPP
ATE0742CPP	ATE1243RPP	ATR0742SPP	ATR1245BPP
ATE0742RPP	ATE1243SPP	ATR0743BPP	ATR1245CPP
ATE0742SPP	ATE1245BPP	ATR0743CPP	ATR1245RPP
ATE0743BPP	ATE1245CPP	ATR0743RPP	ATR1245SPP
ATE0743CPP	ATE1245RPP	ATR0743SPP	ATR1252BPP
ATE0743RPP	ATE1245SPP	ATR0752BPP	ATR1252CPP
ATE0743SPP	ATE1252BPP	ATR0752CPP	ATR1252RPP
ATE0752BPP	ATE1252CPP	ATR0752RPP	ATR1252SPP
ATE0752CPP	ATE1252RPP	ATR0752SPP	ATR1253BPP
ATE0752RPP	ATE1252SPP	ATR0753BPP	ATR1253CPP
ATE0752SPP	ATE1253BPP	ATR0753CPP	ATR1253RPP
ATE0753BPP	ATE1253CPP	ATR0753RPP	ATR1253SPP
ATE0753CPP	ATE1253RPP	ATR0753SPP	ATR1255BPP
ATE0753RPP	ATE1253SPP	ATR0942BPP	ATR1255CPP
ATE0753SPP	ATE1255BPP	ATR0942CPP	ATR1255RPP
ATE0942BPP	ATE1255CPP	ATR0942RPP	ATR1255SPP
ATE0942CPP	ATE1255RPP	ATR0942SPP	ATR1542BPP
ATE0942RPP	ATE1255SPP	ATR0943BPP	ATR1542CPP
ATE0942SPP	ATE1542BPP	ATR0943CPP	ATR1542RPP
ATE0943BPP	ATE1542CPP	ATR0943RPP	ATR1542SPP
ATE0943CPP	ATE1542RPP	ATR0943SPP	ATR1543BPP
ATE0943RPP	ATE1542SPP	ATR0945BPP	ATR1543CPP
ATE0943SPP	ATE1543BPP	ATR0945CPP	ATR1543RPP
ATE0945BPP	ATE1543CPP	ATR0945RPP	ATR1543SPP
ATE0945CPP	ATE1543RPP	ATR0945SPP	ATR1545BPP
ATE0945RPP	ATE1543SPP	ATR0952BPP	ATR1545CPP
ATE0945SPP	ATE1545BPP	ATR0952CPP	ATR1545RPP
ATE0952BPP	ATE1545CPP	ATR0952RPP	ATR1545SPP
ATE0952CPP	ATE1545RPP	ATR0952SPP	ATR1552BPP
ATE0952RPP	ATE1545SPP	ATR0953BPP	ATR1552CPP
ATE0952SPP	ATE1552BPP	ATR0953CPP	ATR1552RPP
ATE0953BPP	ATE1552CPP	ATR0953RPP	ATR1552SPP
ATE0953CPP	ATE1552RPP	ATR0953SPP	ATR1553BPP
ATE0953RPP	ATE1552SPP	ATR0955BPP	ATR1553CPP
ATE0953SPP	ATE1553BPP	ATR0955CPP	ATR1553RPP
ATE0955BPP	ATE1553CPP	ATR0955RPP	ATR1553SPP
ATE0955CPP	ATE1553RPP	ATR0955SPP	ATR1555BPP
ATE0955RPP	ATE1553SPP	ATR1242BPP	ATR1555CPP
ATE0955SPP	ATE1555BPP	ATR1242CPP	ATR1555RPP
ATE1242BPP	ATE1555CPP	ATR1242RPP	ATR1555SPP
ATE1242CPP	ATE1555RPP	ATR1242SPP	
ATE1242RPP	ATE1555SPP	ATR1243BPP	
ATE1242SPP	ATR0742BPP	ATR1243CPP	
ATE1243BPP	ATR0742CPP	ATR1243RPP	

Electrical: Depending on the model, a 230/208 volt or 265 volt circuit is required. See installation Instructions for specific requirements.

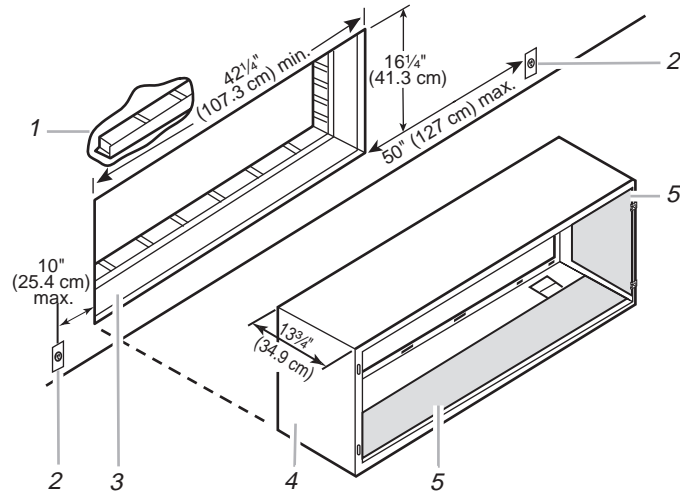
WALL SLEEVE OPENING AND INSTALLATION REQUIREMENTS

Wall opening with lintel



1. Main studs
2. Jack studs
3. Lintel
4. Mounting screw holes
5. No holes in bottom of wall sleeve unless drain kit is used

Typical wall sleeve installation



1. Lintel to support masonry walls
2. Electrical outlet
3. Wall opening
4. Wall sleeve
5. Insulation

LOCATION REQUIREMENTS

This PTAC/PTHP is intended to be installed using a wall sleeve in a wall opening.

This PTAC/PTHP may be installed flush with the floor or at different heights above the floor. See "required Parts, Accessories, and Options" in the Installation Instructions.

The location shall accommodate the drainage of condensate either to the exterior of the building, to the interior of the building or to the wall interior.