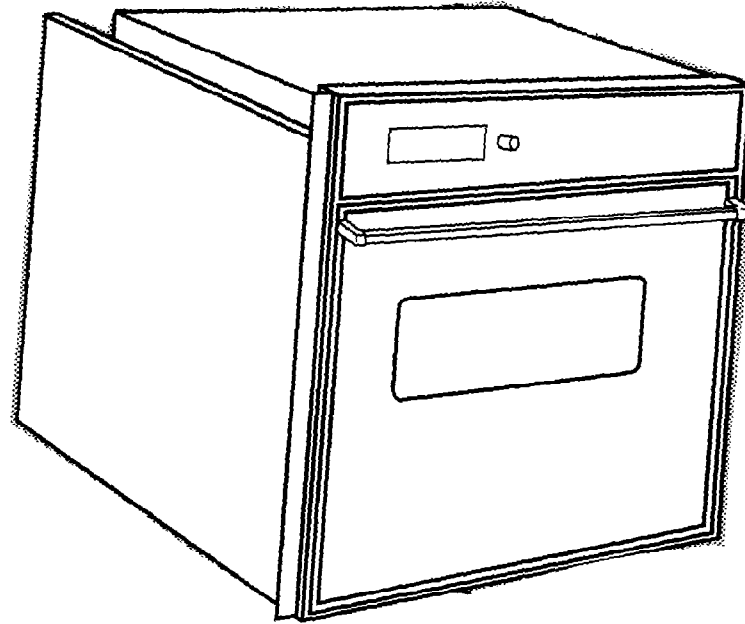


Installation Instructions



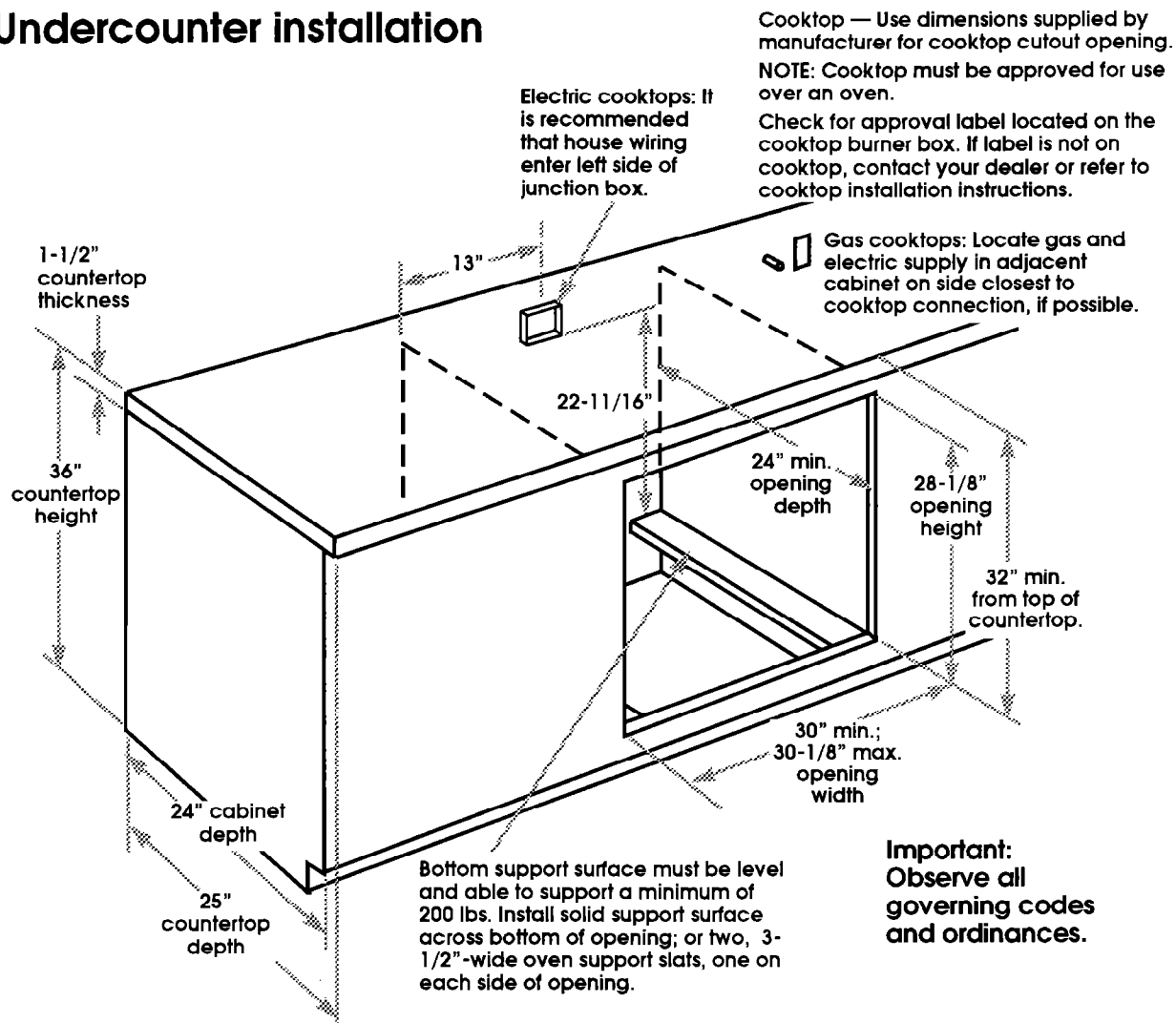
IMPORTANT
Read and save
these instructions.

IMPORTANT:
Installer: Leave Installation Instructions with the homeowner.
Homeowner: Keep Installation Instructions for future reference.
Save Installation Instructions for local electrical inspector's use.

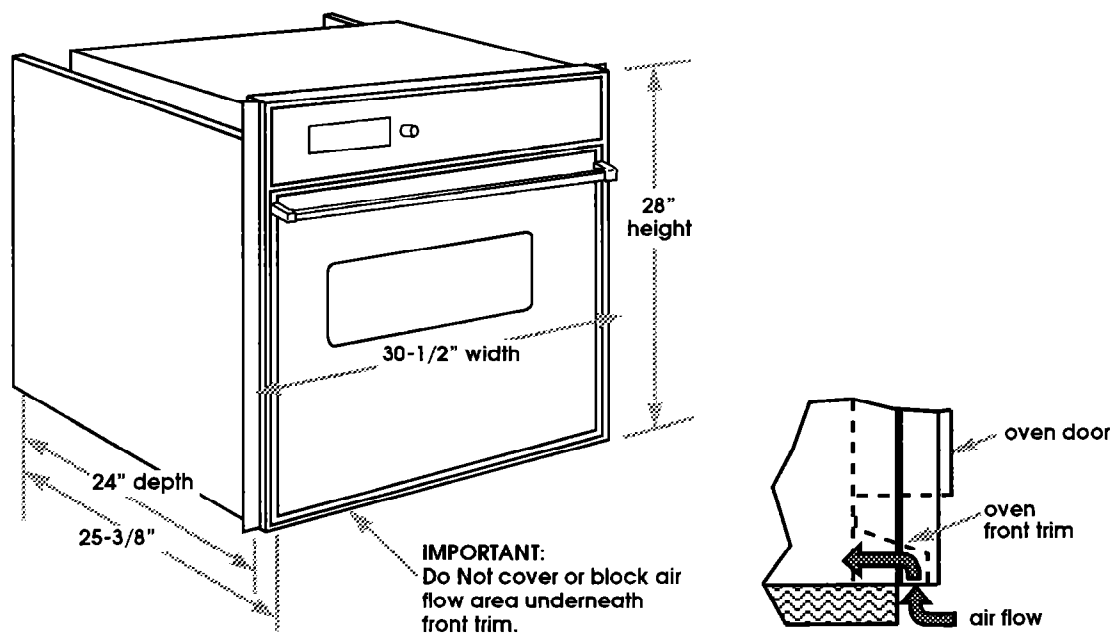
**30" Electric
Built-in/Built-under
Oven**

Part No. 8107P315-60/4371518

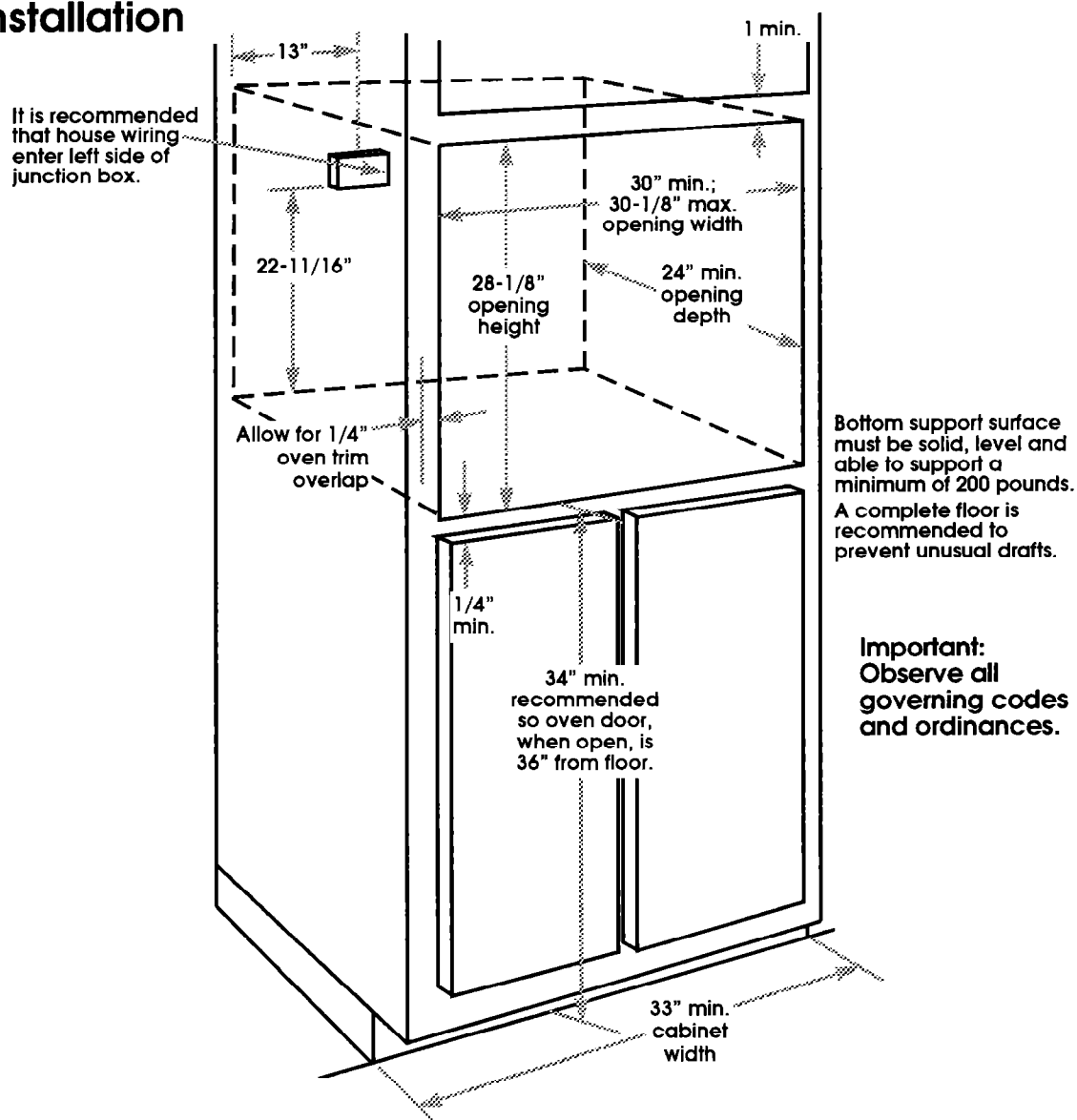
Undercounter installation



Product Dimensions



Wall installation



Panel A

Before you start...

Read the electrical and carpentry instructions.

This appliance is manufactured for connection to a separate, 240-volt circuit. If a 208-volt circuit must be used, wiring inside oven must be modified. See "Connection to 208-volt circuit," Panel B, for details.

Proper installation is your responsibility. A qualified technician should install this oven. Make sure you have everything necessary for correct installation.

Check location where oven will be installed. The location should be away from strong draft areas, such as windows, doors, and strong heating vents or fans. The oven should be located for convenient use in kitchen.

Cabinet opening dimensions that are shown must be used. Bottom support surface must be solid, level and able to support a minimum of 200 lbs.

The recessed installation area must provide complete enclosure around the recessed portion of the oven.

Electrical ground is required. See Electrical requirements.

WARNING

Electrical Shock Hazard

It is the customer's responsibility:

- To contact a qualified electrical installer.

- To assure that the electrical installation is adequate and in conformance with National Electrical Code, ANSI/NFPA 70-latest edition*, and all local codes and ordinances.

Failure to do so could result in electrical shock or other personal injury.

Personal Injury Hazard

Securely fasten oven to cabinet using the four screws provided.

Failure to do so could cause the oven to move or tip during use and result in personal injury.

CAUTION

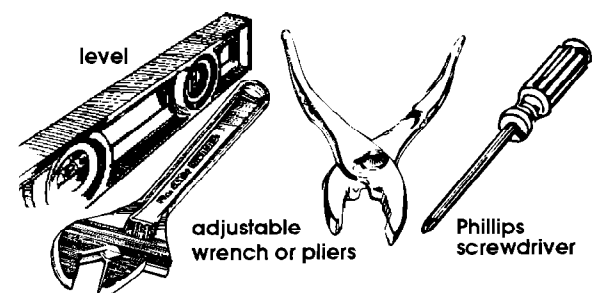
Cabinet Damage

Do Not block the oven vent. Blocking the oven vent may cause cabinet damage and poor baking performance.

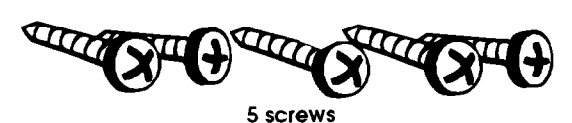
NOTE:

- This oven is not intended for commercial use.
- The solid oven support surface or slats must be flush with the bottom of the cabinet cutout.
- Clearances specified are for combustible walls and materials that have a density of 20 or more pounds per cubic foot. No evaluation has been made for installations adjacent to materials that are less than 20 pounds per cu. ft. or to plastic tiles and sheeing.

Tools needed for installation:



Parts supplied for installation:



Electrical requirements

⚠ WARNING

Electrical Shock Hazard

- Electrical ground is required on this appliance.
 - If cold water pipe is interrupted by plastic, non-metallic gaskets or other insulating materials, Do Not use for grounding.
 - Do Not ground to a gas pipe.
 - Do Not have a fuse in the neutral or grounding circuit. A fuse in the neutral or grounding circuit could result in an electrical shock.
 - Do Not use an extension cord with this appliance.
 - Check with a qualified electrician if you are in doubt as to whether the appliance is properly grounded.
- Failure to follow these instructions could result in serious injury or death.

If codes permit and a separate grounding wire is used, it is recommended that a qualified electrician determine that the grounding path is adequate.

IMPORTANT:

Save Installation Instructions for the local electrical inspector's use.

A. This appliance **must** be connected to the proper electrical voltage and frequency specified on the serial/rating plate. The serial/rating plate is located on the frame behind the oven door.

A three-wire or four-wire, single phase, 120/240-volt, 60-Hz, AC-only electrical supply (or three-wire or four-wire, 120/208-volt if specified on the nameplate) is required on a separate 30-ampere circuit, fused on both sides of the line. A time-delay fuse or circuit breaker is recommended.

A single branch circuit can be used for a separate cooktop and up to two wall- or undercounter-mounted ovens if ratings found on serial/rating plates add up to the equivalent load of one range and all appliances are located in one room.

B. OVEN MUST BE CONNECTED WITH COPPER WIRE ONLY.

C. It is the personal responsibility and obligation of the customer to contact a qualified electrician to assure that the electrical installation is adequate and in conformance with the National Electrical Code, ANSI/NFPA 70-latest edition,* and all local codes and ordinances for the kilowatt rating of the oven.

Copies of the standards listed may be obtained from:

*National Fire Protection Association
Batterymarch Park
Quincy, Massachusetts 02269

D. This appliance should be connected directly to the fused disconnect or circuit breaker box through flexible, armored or non-metallic sheathed, copper cable (with grounding wire). Allow two to three feet of slack in the line so that the oven can be moved if servicing is ever necessary. **Do Not cut the conduit.**

A U.L.-listed conduit connector **must** be provided at each end of the power supply cable (at the appliance and at the junction box). Wires sizes (COPPER WIRE ONLY) and connections must conform with the rating of the appliance.

E. A wiring diagram is included in the Tech Sheet. The Tech Sheet is located behind the control panel.

Electrical connection

⚠ WARNING

Electrical Shock Hazard

- Electrical ground is required on this appliance.
 - Do Not connect to the electrical supply until appliance is permanently grounded.
 - Disconnect power to the junction box before making the electrical connection.
 - This appliance must be connected to a grounded, metallic, permanent wiring system, or a grounding connector should be connected to the grounding terminal or wire lead on the appliance.
- Failure to do so could result in a fire, personal injury or electrical shock.

This appliance is manufactured with white (neutral) power supply wire and a cabinet-connected green grounding wire twisted together.

Connect the appliance cable to the junction box through the U.L.-listed conduit connector. Complete electrical connection according to local codes and ordinances.

A. Where local codes permit... connecting the cabinet-grounding conductor to the neutral (white) junction box wire:

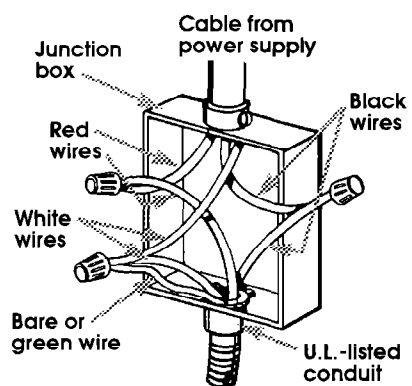


Figure 1

Grounded Neutral

1. Disconnect the power supply.
2. Connect together 3 wires: green and white appliance cable wires and the neutral white wire in the junction box.
3. Connect the two black wires together; then connect the two red wires together. See Figure 1.

B. Where local codes Do Not permit... connecting the cabinet-grounding conductor to the neutral (white) junction box wire:

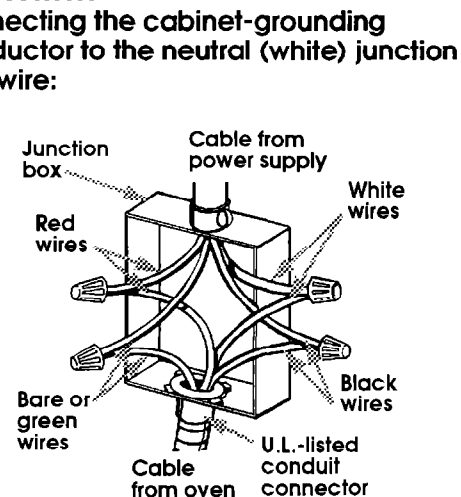


Figure 2

Ungrounded Neutral

1. Disconnect power supply.
2. Separate the green and white appliance cable wires.
3. Connect the white appliance cable wire to the neutral (white) wire in the junction box.
4. Connect the two black wires together; then connect the two red wires together. See Figure 2.
5. Connect the green or bare grounding wire from the appliance cable to a grounded wire in the junction box.

C. If connecting to a four-wire electrical system...

Do Not connect the cabinet-grounding conductor to the neutral (white) junction box wire.

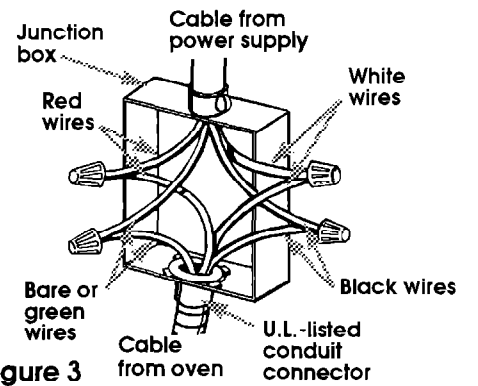


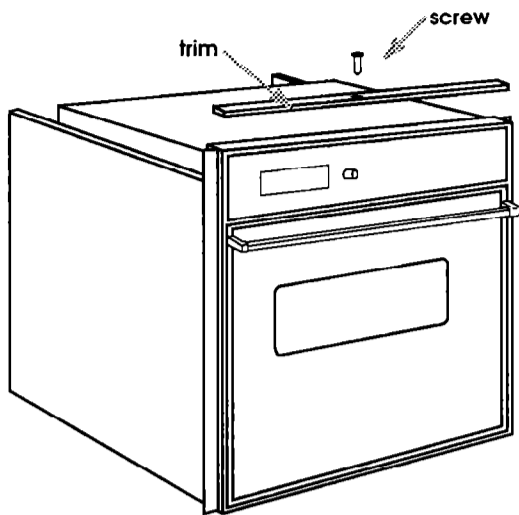
Figure 3

1. Disconnect power supply.
2. Separate the green and white appliance cable wires.
3. Connect the white appliance cable wire to the neutral (white) wire in the junction box.
4. Connect the two black wires together; then connect the two red wires together. See Figure 3.
5. Connect the green or bare grounding wire from the appliance cable to the grounding wire in the junction box.

Now start...

With oven in kitchen.

1. Remove shipping materials, tape and protective film from oven. Remove nylon grip nuts that hold shipping crate to oven. Place oven on cardboard or hardboard.



2. Attach trim to top of oven with screw (only for in wall application).

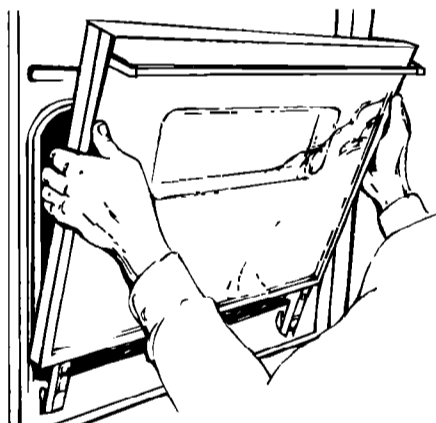
3. Remove the oven racks and other parts from inside the oven.

WARNING

Personal Injury/Product Damage Hazard

- Use both hands to remove oven door.
- Grasp only the sides of the oven door.
- Do Not use the handle or any portion of the front frame or trim for lifting.
- Because of the weight and size of the oven, two or more people are needed to move and safely install this oven.

Failure to properly grasp oven door or to lift the oven properly could result in personal injury or product damage.



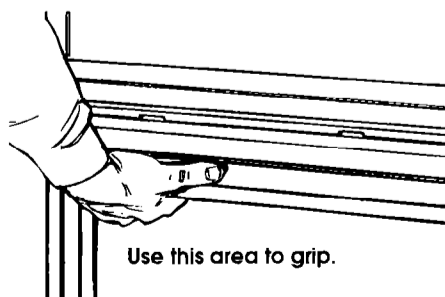
4. Open oven door to broil position. Grasp sides of oven door and pull door up and off hinges to remove. Set door aside.

CAUTION

Floor Damage

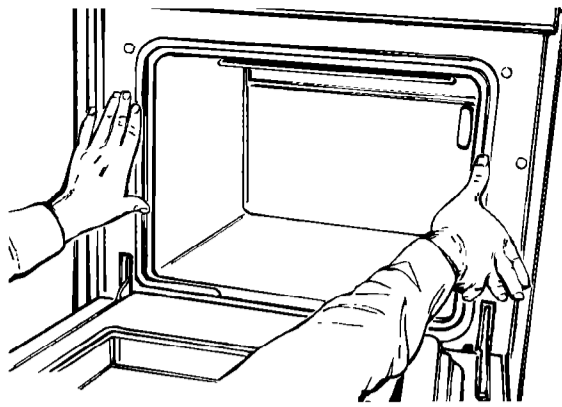
Before moving oven across floor, check that oven is on cardboard or hardboard. Failure to do so could cause damage to floor covering.

5. Disconnect the power supply. Move oven close to cabinet opening. Make electrical connection. See "Electrical requirements" and "Electrical connection" sections, Panel B, for details.



Use this area to grip.

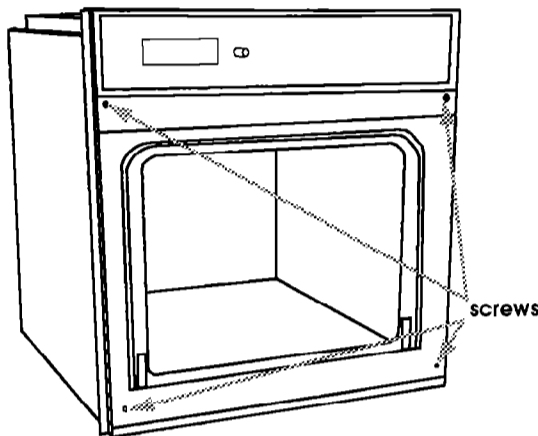
6. Remove cardboard or hardboard from under oven. Lift oven up to cabinet opening using the oven opening as an area to grip. Center oven in cabinet opening.



Push against seal area of front frame to push oven into cabinet.

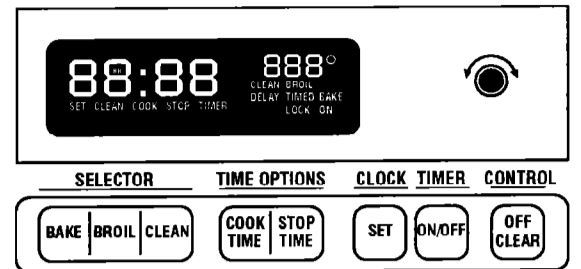
WARNING

Personal Injury Hazard
Securely fasten oven to cabinet using the four screws provided. Failure to do so could cause oven to move or tip during use and result in personal injury.



7. Secure oven to cabinet using the four screws through the mounting holes in the front frame of the oven. Do Not overtighten screws.

8. Replace oven racks. Replace oven door by fitting both corners of door over ends of hinges. Push door evenly and completely onto hinges. If door does not close, you have not pushed door completely onto hinges.

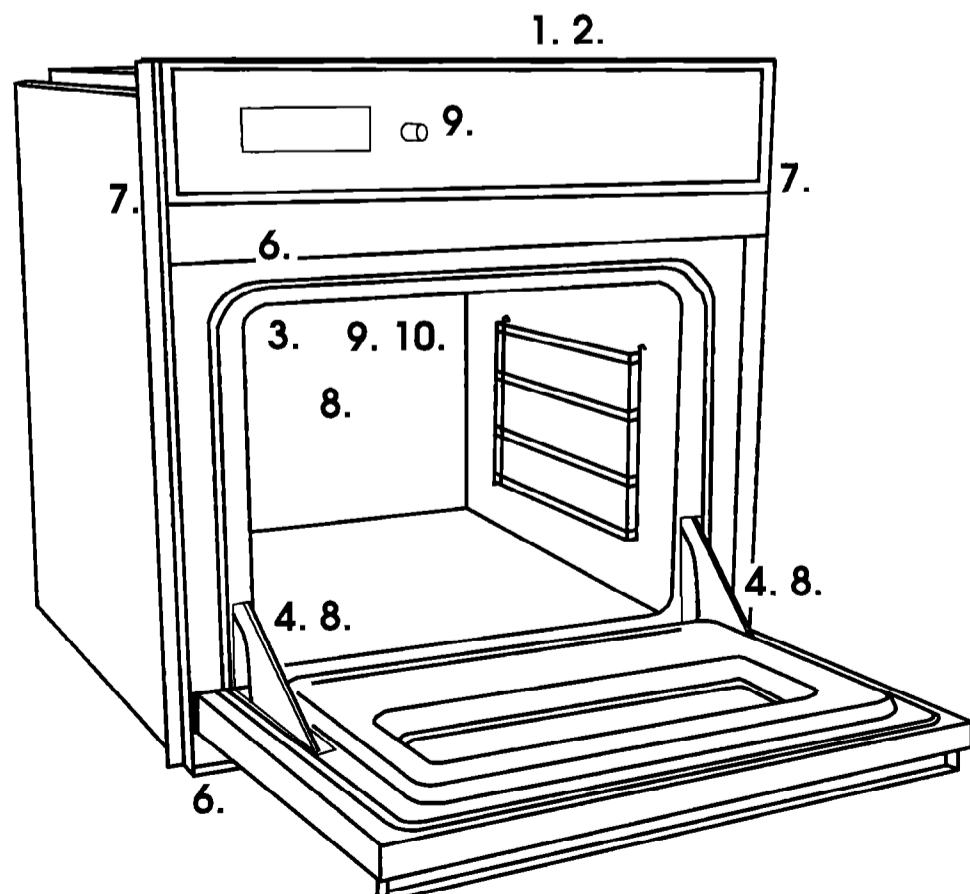


9. Turn power supply on. Press CLOCK SET pad. Turn set knob until time-of-day appears in display. Check the operation of the oven bake element. Press the BAKE pad. "--°" and "BAKE" will appear in the display. Turn the set knob until 350° appears in the display. ON appears in the display and the oven indicator light should be on. The lower oven element should be heating and the upper element should become hot, but not glow red. Turn oven off by pressing the OFF/CLEAR pad.

10. Check the operation of the oven broil element. Press the BROIL pad. "--" and BROIL will appear in the display. Turn the set knob until HI appears in the display. The indicator light should be on and the upper element should glow red and oven should be heating.

11. Turn the oven off by pushing the OFF/CLEAR pad.

To get the most efficient use from your new oven, read your Use and Care Guide. Keep Installation Instructions and Guide close to oven for easy reference.



Numbers correspond to steps.

If oven does not operate...

Check that the circuit breaker is not tripped or the house fuse blown. Check that power supply cord is plugged into wall receptacle. A more detailed troubleshooting checklist is provided in the Use and Care Guide.

WARNING

Personal Injury/Product Damage Hazard
Do Not step, lean or sit on the oven door.
Failure to follow this instruction could result in personal injury and/or product damage.

NOTE:
Refer to Use and Care Guide for operating instructions and cleaning instructions.

If you need assistance...

Check your Use and Care Guide for a toll-free number to call or call the dealer from whom you purchased this appliance. The dealer is listed in the Yellow Pages of your phone directory under "Appliances -Major."

When you call, you will need the oven model number and serial number. Both numbers can be found on the serial/rating plate located behind the oven door on the oven frame.