

## INSTALLATION INSTRUCTIONS FOR YOUR NEW

# SLIDE-IN RANGE

Before you begin - Read these instructions completely and carefully.

**IMPORTANT - Save these instructions for local inspector's use.**

**IMPORTANT - OBSERVE ALL GOVERNING CODES AND ORDINANCES.**

Note to Installer - Be sure to leave these instructions with the Consumer.

Note to Consumer - Keep these instructions with your Use and Care Book for future reference.

**NOTE:** This appliance must be properly grounded.



**CAUTION: For Personal Safety remove house fuse or open circuit breaker before beginning installation.**

## IMPORTANT SAFETY INSTRUCTIONS

- Put the range near a work surface for convenience.
- The cooktop should be easy to reach and lighted with natural light during the day.
- Be sure your range is installed properly by a qualified installer or service technician.
- To reduce the risk of burns or fire by reaching over heated surface units, cabinet storage space located above the surface units should be avoided. If cabinet storage space is to be provided, the risk will be reduced by installing a range hood that projects horizontally a minimum of five inches beyond the bottom of the cabinets.

Be sure the range is securely installed in a cabinet that is firmly attached to the house structure. Weight on the oven door could cause the oven to tip and result in injury. Never allow anyone to climb, sit, stand or hang on the oven door.

- See Figure 1 and Figure 2 for all minimum clearance dimensions. These dimensions must be met for safe use of your range.

## TOOL LIST

- Hand or electric drill
- Hand or saber saw
- Pencil
- Ruler or tape measure
- Straightedge
- 1/8" drill bit

## POWER REQUIREMENTS

This appliance must be supplied with the proper voltage and frequency, and connected to an individual, properly

grounded branch circuit, protected by a circuit breaker or time delay fuse, as noted on rating plate.

Wiring must conform to National Electrical Codes. You can get a copy of the National Electrical Code, ANSI/NFPA No. 70-Latest Edition by writing:

National Fire Protection Association  
Battery March Park  
Quincy, MA 02269

We recommend that you have the electrical wiring and hookup of your range done by a qualified electrician. After installation, have the electrician show you where your main disconnect is located.

The range connector block is approved for copper wire connection only. If you are connecting to aluminum house wiring, you must use special U.L. approved connectors for joining copper to aluminum.

You must use a three-wire, single-phase AC 60 Hertz electrical system. Either a 208Y/120 Volt or a 120/240 Volt electrical system may be used for all models.

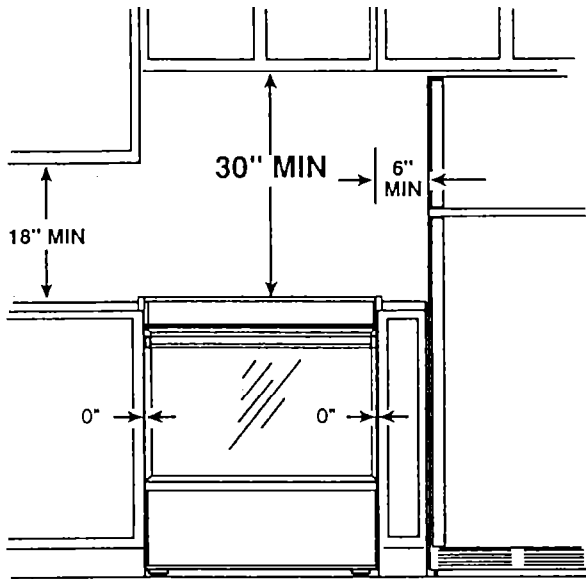
In the absence of local codes, use No. 8 wire protected by a 40A fuse or circuit breaker for 120/240 Volt systems or 208Y/120 Volt systems.

## DIMENSIONS AND CLEARANCES

- **Be sure anti-tip device is installed properly.**
- See Figure 2 for recommended location of the electrical outlet. The electrical outlet location may be changed, but electricity to the range can be disconnected at the outlet without moving the range if the outlet is in the suggested location (remove lower drawer).
- 30" ranges conform to U. L. requirements for 0" spacing from vertical walls above countertops. However, some kitchen cabinet finishes can be damaged by heat from the range surface elements. Where varnished wood or plastic film finishes are used, a minimum clearance of 6" must be maintained.
- For listed over-the-range microwave ovens, the microwave ovens can be installed above the cooktop as per manufacturer's installation instructions.
- The range may be placed with 0" clearance (flush) at the back wall and side walls if the range side trims extend beyond the cabinet fronts at least 1/4".

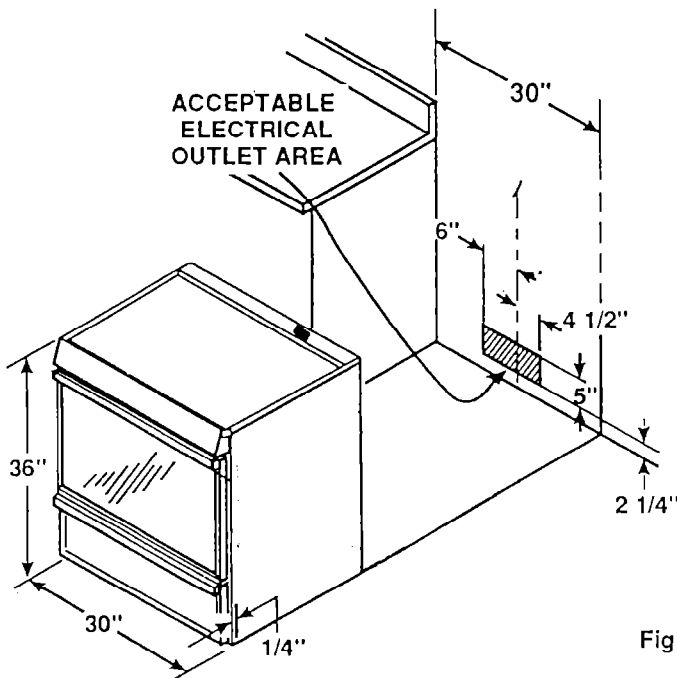
## MINIMUM CLEARANCES

See Figures 1 and 2 for all minimum clearance dimensions.



MINIMUM DIMENSIONS BETWEEN COOKTOP AND CABINETS OR WALLS

Fig. 1



ELECTRICAL OUTLET AREA  
(BACK OF COUNTER IN CUTOUT NOT SHOWN FOR CLARITY)

Fig. 2

- The distance from the floor to the top of the counter must be at least 35 7/8". The maximum countertop height is 38".

## STEP 1: PREPARE THE COUNTER

If you have an existing 30" side cutout that goes all the way to the wall, you may use the filler supplied with the range (packed under the lift-up cooktop) or buy filler or backguard kits listed on page 7 from your Whirlpool dealer. If the existing cutout is in a counter that has a backsplash (postformed top) we recommend that you use the 4" backguard.

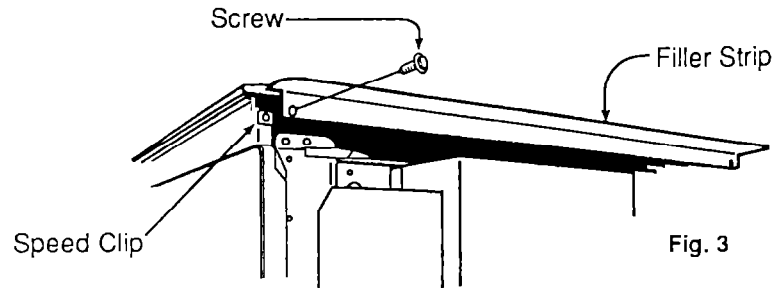


Fig. 3

Determine the dimension of your cutout. See Fig. 4 and Fig. 5. Dimensions given are from front of counter and not from cabinet face. To minimize chipping you may want to apply masking tape to the counter and mark the cut on top of the tape. Use a hand or saber saw to make the cut. For best appearance it is important that the cut be smooth and straight.

**If you are NOT using the Filler or Backguard:**

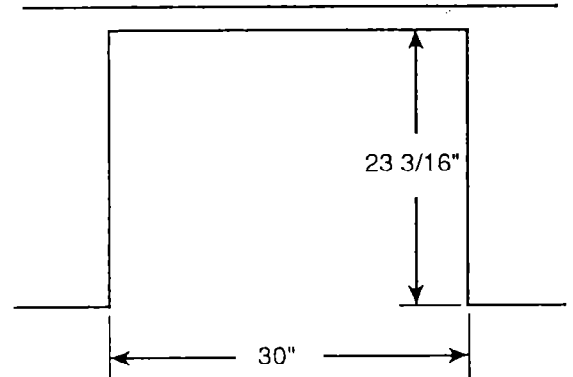


Fig. 4

If you have a countertop deeper than 25" and you wish to set the range further back into the counter, the cutout may be cut deeper (up to 24 1/2"), but there must be at least 24 1/2" from the front edge of the countertop and the back wall.

If you are using the Filler supplied or Backguard:

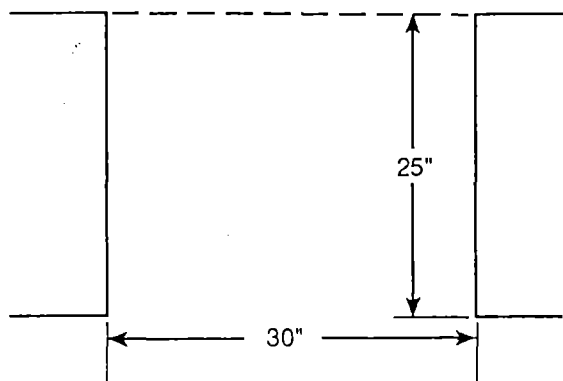


Fig. 5

NOTE: If the distance from the back wall to the front of the counter backsplash (Dimension A in Fig. 6) is greater than the standard 1 1/8", there will be a small gap between the wall behind the range and the backguard. This is normal and should not be visually objectionable.

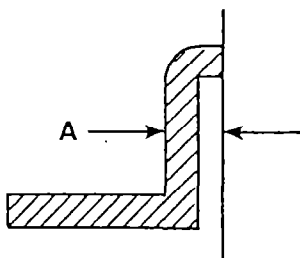


Fig. 6

If there is a small gap between the sides of the range and the cabinets (up to 1/4" each side), you can order a side trim extension kit, RK300H (brushed chrome), from your Whirlpool dealer.

## STEP 2: REMOVE SHIPPING MATERIAL

Put the range near the installation location. Remove the accessory pack from the oven. Check and secure any parts which may have come loose during shipment. Remove any tape and packaging. Be sure to remove clear plastic film that covers some parts.



**CAUTION:** When the door is removed and hinge arms are at stop position, do not bump or try to move the hinge arms. The hinges could snap back causing an injury to the hands or damage to the porcelain on the front of the oven. Cover the hinges with toweling or insert empty towel rolls behind the hinges while working in the oven area.

## OVEN DOOR REMOVAL

Before installing the range, you may remove the oven doors to lessen the weight of the unit and reduce the possibility of damage to the range. DO NOT lift unit by door handle.

To remove oven door:

1. Open the door to the stop (broil) position. See Fig. 7A.
2. Grasp the door at each side and lift up and off the hinges. See Fig. 7B.

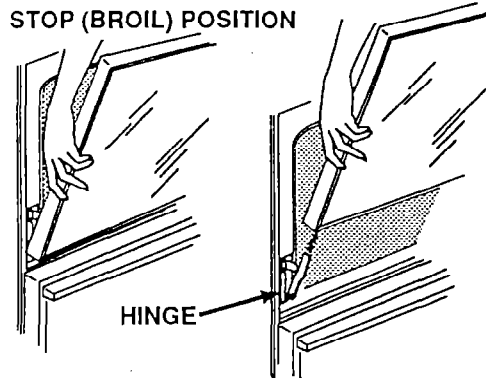


Fig. 7A

Fig. 7B

## STEP 3: LEVEL THE RANGE

The range must be level for proper baking and cooking. Do not place range in cutout until you are sure that the flanges below the sides of the cooktop are above the top of the counter. Damage to the cooktop could result if adjusted improperly.

- Install the oven racks.
- Use a 1 3/8" adjustable wrench to equally back out the four leg levelers until the flanges (rims) below the sides of the maintop are above the counter. Check by measuring the height of the counter and comparing it with the measurement from the floor to the flanges below the sides of the cooktop.
- Position range in the cutout when adjustments are complete.
- Put a spirit level or a glass measuring cup partially filled with water on one of the oven racks.
- Use the wrench to adjust the leg levelers. Level the range from front to back and side to side. See Fig. 8.

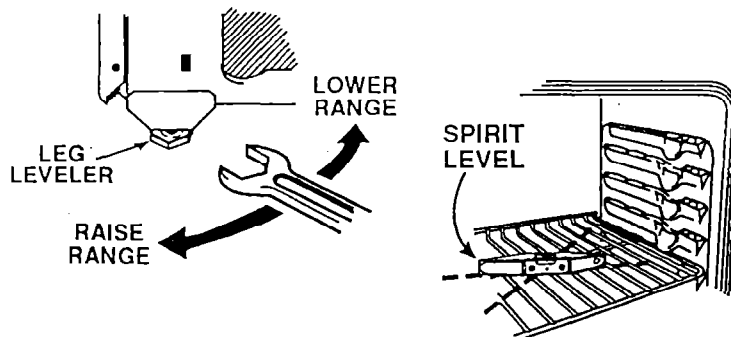


Fig. 8

## STEP 4: ELECTRICAL CONNECTIONS



**WARNING:** The electrical power to the range supply must be shut off while line connections are being made. Failure to do so could result in serious injury or death.

Remove the junction block access cover (on range back). See Fig. 9A or Fig. 9B. When re-installing the one-piece wire cover, make sure that wire does not become pinched between wire cover and mainback.

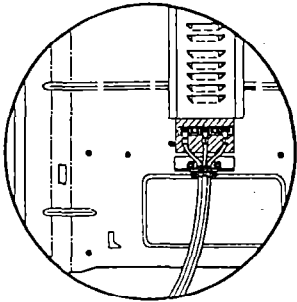


Fig. 9A

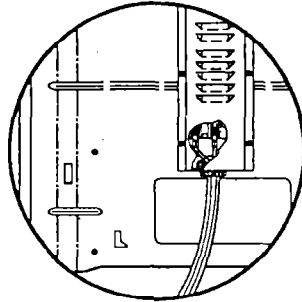


Fig. 9B

Use a three-wire flexible cord kit marked for ranges. If range is rated between 8,750-16,000 watts, cord kit must be rated for 40 Amps-125/250 Volts. If range is rated between 16,501-22,500 watts, the cord kit must be rated for 50 Amps-125/250 Volts. Mobile homes or installations where local codes do not allow grounding through the neutral require a 4-wire flexible cord kit. The same cord sizing conditions described below apply.

When using a cord rated 40 Amps, remove the next to outermost knockout (1 3/8" diameter) in the connection plate. Likewise, when using a cord rated 50 Amps, remove the outermost knockout (1 3/4" diameter) in the plate.

You must use a clamp or strain relief to hold the cord or conduit.

Terminations shall be either closed loop terminals or open-end spade lugs with upturned ends.

## THREE-WIRE CORD CONNECTION

1. Remove the screws on the terminal block.
2. Install the three wire cord and the strain relief in the hole in the strain relief bracket.
3. Connect the outer leads of the outer terminals and the center lead to the center terminal.
4. Push the cord upward (to relieve strain), while tightening the strain relief clamp.

If local codes require an ungrounded neutral:

- Remove the ground strap.
- Fasten the white wire to the center terminal.
- Use grounding terminal or lead to ground unit in accordance with local codes.

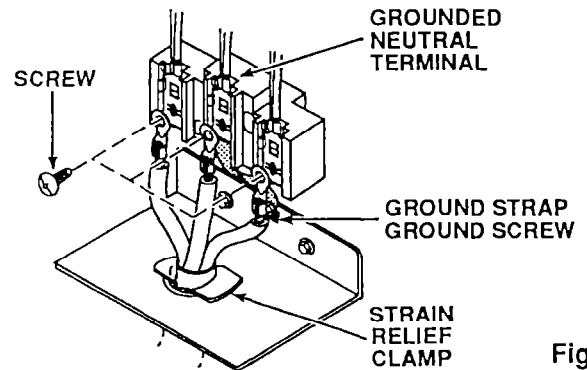


Fig. 10

## FOUR-WIRE CORD CONNECTION

1. Remove the screws on the terminal block.
2. Remove the ground screw, then remove the ground strap.
3. Install the four wire cord and strain relief in the hole in the strain relief bracket.
4. Connect the red and black lead to the outside terminals and the white lead to the center terminal.
5. Attach the green lead below the junction block with the ground screw that was removed earlier (step 2).
6. Push the strain relief upward (to relieve strain), while tightening the strain relief clamp.

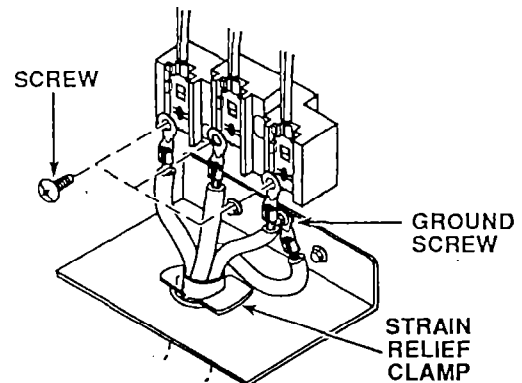


Fig. 11

## STEP 5: ANTI-TIP DEVICE

1. Before placing range in the counter, notice the location of the stability bracket which is already attached to the back of the range. This location should work for most installations. However, it may be more convenient to hook the stability chain to the unit when the stability bracket is attached to the upper set of holes in the back of the range. See Fig. 12. The upper set of holes are intended for use with a backsplash kit. If the backsplash is not being used, make sure that there are no structural supports for the countertop which will interfere with the stability bracket when located in the upper set of holes.

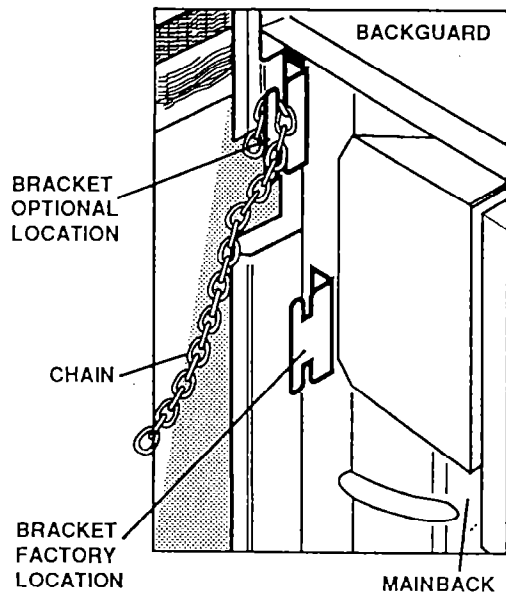


Fig. 12

2. Fasten one end of the stability chain to the floor or wall with the long screw and washer supplied. See Fig. 13. Make certain the screw is going into the wall plate at the base of the wall or one of the studs in the base of the wall. See Fig. 14. Whether you attach the chain to the wall or floor, be certain that the screw is in at least 3/4" thickness of wood other than base-board and that there are no electrical wires or plumbing in the area which the screw could penetrate. Attach the stability chain in a location which will allow the chain to be in line with the bracket side to side as much as possible when attached to the unit. Test to see if the chain is securely fastened by tugging on the chain.

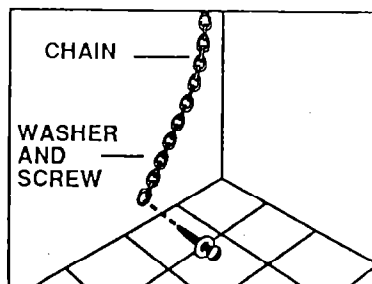


Fig. 13

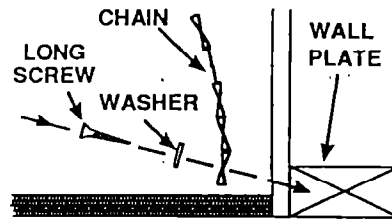


Fig. 14

3. Temporarily attach the loose end of the chain to the rear of the countertop with the tape from the packaging. See Fig. 15.
4. Place the range in the counter cutout leaving just enough room between the back of the range and the wall to reach the stability bracket.
5. Hook the loose end of the chain onto the bracket by slipping the nearest link of the chain into the slot in the bracket. See Fig. 12 and make sure the chain is pulled as tight as possible and that there is no excess slack in the chain after chain is attached to the bracket.



**WARNING:** Excess slack in the chain could allow the range to tip over.

6. Slide the range all the way back into the counter. Once the range is pushed back in place, there will be a small amount of slack in the chain. This is normal.

**If the range is removed for cleaning or any other reason, make sure the chain is re-attached.**

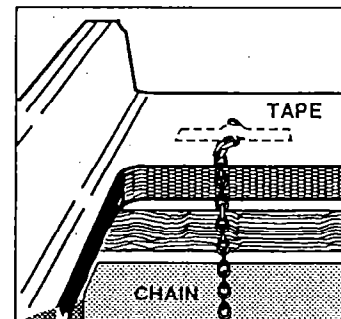


Fig. 15

**Note:** If attaching to masonry, you can buy suitable screws and anchors at hardware stores. Use a masonry drill to drill the required holes.

## IMPORTANT INSTALLATION INSTRUCTIONS FOR RANGES USED WITH COUNTERTOP HEIGHTS UP TO 38"

The height of the range must be adjusted to the countertop height. For countertop heights greater than 37", additional measurements may need to be taken as detailed below.

When the range is elevated to the maximum height, there is a large space between the bottom of the range and the floor, referred to as the toe space. This may be visually objectionable. The legs should not be extended any further than to provide a maximum of 3" toe space. See Fig. 16.

The range is designed to provide a minimum of 1" air gap at the bottom of the range. See Fig. 17. (Example: When legs are screwed all the way into the base rail.)

This gap is very important to the proper ventilation of the range and must be maintained when treating the appearance of the toe space.

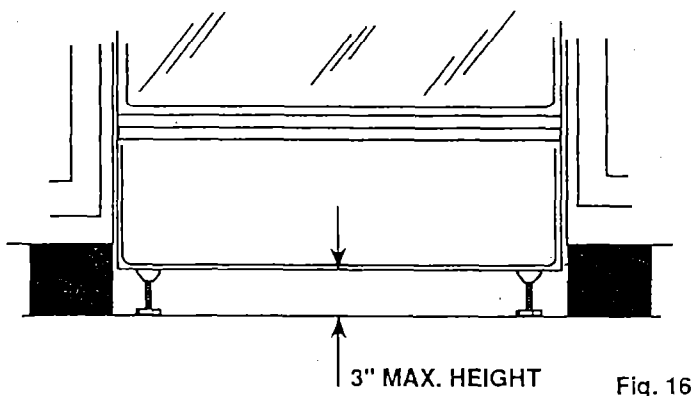


Fig. 16

The following is a suggested method of making a filler for the toe space when the legs are extended as mentioned before.

After the range is installed with the longer legs and is in position and level, measure from the bottom of the bodyside to the floor. This will be the required height of the toe space filler. See Fig. 16. This height may range from 2 1/16" to 3". Any height less than 2 1/16" may not be visually objectionable and not need the filler.

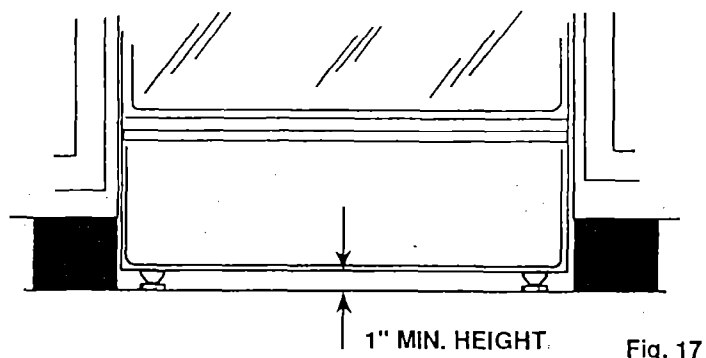


Fig. 17

Build the filler as shown in Fig. 18. Make sure to provide the 3/4" gap at the top and the 5/16" gap at the bottom. These gaps will provide the proper ventilation as mentioned before.

If you wish to attach the filler to the floor or adjacent cabinets, use screws or other removable fasteners, so that the range can be readily removed if necessary.

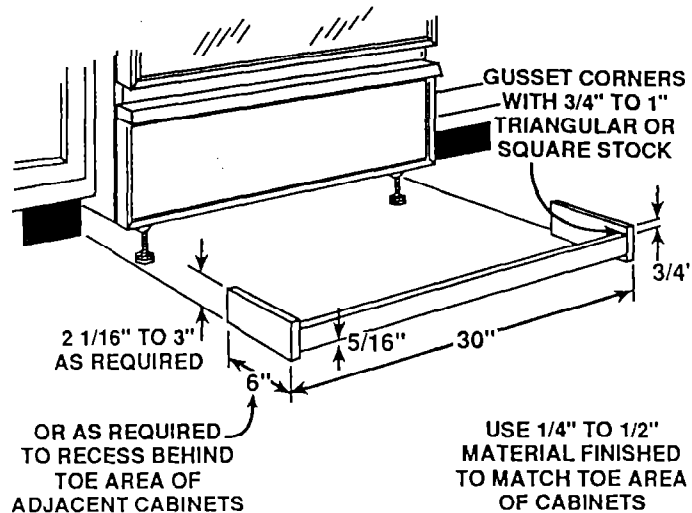


Fig. 18

These kits are available from your Whirlpool dealer:

- Main Top Filler Kit No: RK310H (brushed chrome)
- 4" Backguard Kit No: RK340H (brushed chrome)  
RK340W (white)  
RK340N (almond)

**NOTE:** Refer to Use and Care Guide for operating instructions and cleaning instructions.

**If you need assistance...**

Check your Use and Care Guide for a toll-free number to call or call the dealer from whom you purchased this appliance. The dealer is listed in the Yellow Pages of your phone directory under "Appliances – Major."

When you call, you will need the range model number and serial number. Open the storage drawer. Both numbers can be found on the serial/rating plate located behind the storage drawer on the front frame.

Part No. 4389354

Printed in U.S.A.