

Range Hood - 30" (76.2 cm) and 36" (91.4 cm)

PRODUCT MODEL NUMBERS

UXT5330AD UXT5336AD

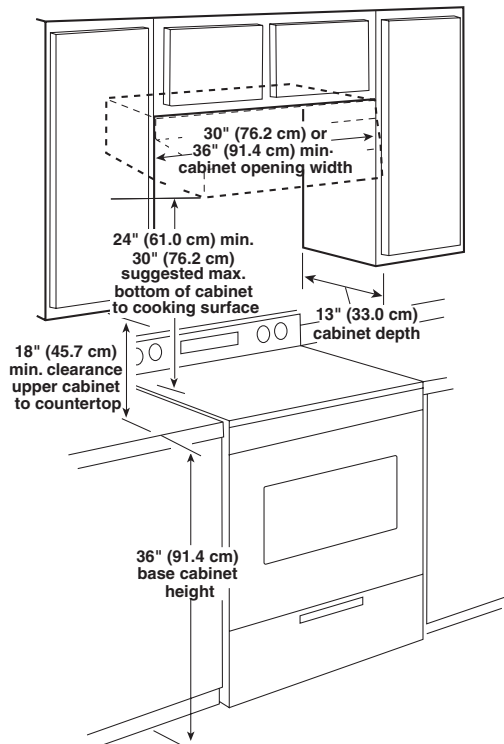
Electrical: A 120 Volt, 60 Hz., AC only, 15-amp, fused electrical circuit is required.

LOCATION REQUIREMENTS

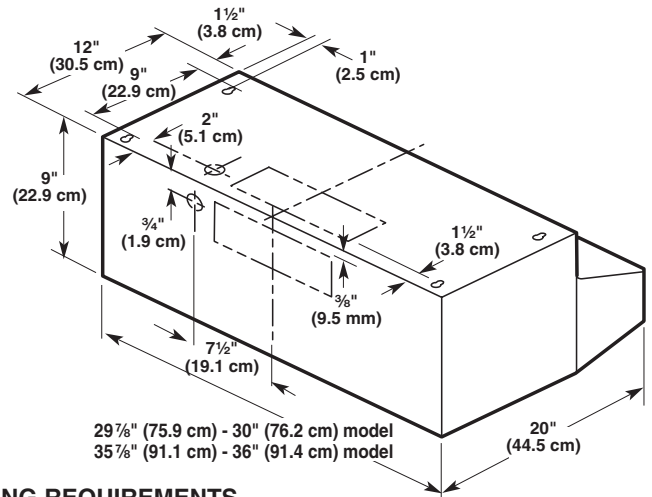
- It is the installer's responsibility to comply with installation clearances specified on the model/serial rating plate. The model/serial rating plate is located inside the range hood on the left wall.
- Range hood location should be away from strong draft areas, such as windows, doors and strong heating vents.

For Mobile Home Installations

The installation of this range hood must conform to the Manufactured Home Construction Safety Standards, Title 24 CFR, Part 328 (formerly the Federal Standard for Mobile Home Construction and Safety, title 24, HUD, Part 280) or when such standard is not applicable, the standard for Manufactured Home Installation 1982 (Manufactured Home Sites, Communities and Setups) ANSI A225.1/NFPA 501A*, or latest edition, or with local codes.



PRODUCT DIMENSIONS



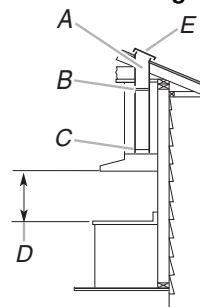
VENTING REQUIREMENTS

Venting Methods

Vent system can terminate either through the roof or wall. Use 3 1/4" x 10" (8.3 x 25.4 cm) with a maximum vent length of 35 ft (10.7 m) or 6" (15.2 cm) or larger round vent with a maximum length of 50 ft (15.2 m) for vent system.

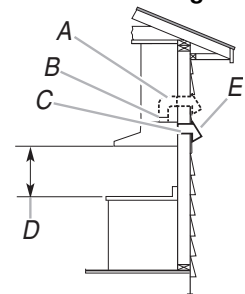
NOTE: Flexible vent is not recommended. Flexible vent creates back pressure and air turbulence that gently reduce performance.

Roof Venting

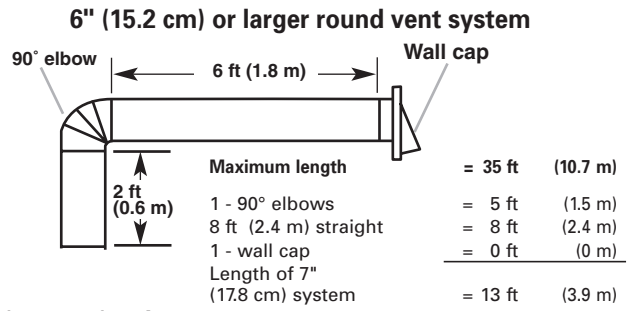
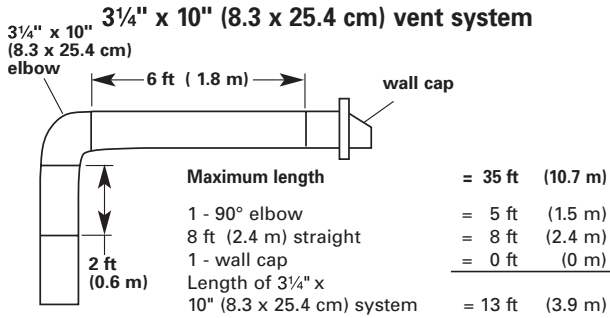


- A. 6" (15.2 cm) or larger round vent or a 3 1/4" x 10" (8.3 x 25.4 cm) rectangular vent through roof
- B. Round vent: use 6" (15.2 cm) or larger round damper (purchased separately)
- C. Round vent: use 3 1/4" x 10" (8.3 x 25.4 cm) to 6" (15.2 cm) or larger diameter transition piece (purchased separately)
- D. 24" (61.0 cm) - 30" (76.2 cm) above cooking surface
- E. Roof cap

Wall Venting



- A. 6" (15.2 cm) or larger round vent or a 3 1/4" x 10" (8.3 x 25.4 cm) rectangular vent through the wall
- B. Round vent: use 3 1/4" x 10" (8.3 x 25.4 cm) to 6" (15.2 cm) or larger diameter transition piece (purchased separately)
- C. 3 1/4" x 10" (8.3 x 25.4 cm) through the wall
- D. 24" (61.0 cm) - 30" (76.2 cm) above cooking surface
- E. Wall cap



3 1/4" x 10" (8.3 x 25.4 cm) vent system

3 1/4" x 10" (8.3 x 25.4 cm) 90° elbow = 5 ft (1.5 m)	3 1/4" x 10" (8.3 x 25.4 cm) flat elbow = 12 ft (3.7 m)	3 1/4" x 10" (8.3 x 25.4 cm) wall cap = 0 ft (0 m)

6" (15.2 cm) or larger vent system

90° elbow = 5 ft (1.5 m)	45° elbow = 2.5 ft (0.8 m)	6" (15.2 cm) or larger wall cap = 0 ft (0 m)	3 1/4" x 10" (8.3 x 25.4 cm) to 6" (15.2 cm) or larger = 4.5 ft (1.4 m)	3 1/4" x 10" (8.3 x 25.4 cm) to 6" (15.2 cm) or larger 90° elbow = 5 ft (1.5 m)

Calculating Vent System Length To calculate the length of the system you need, add the equivalent feet (meters) for each vent piece used in the system.