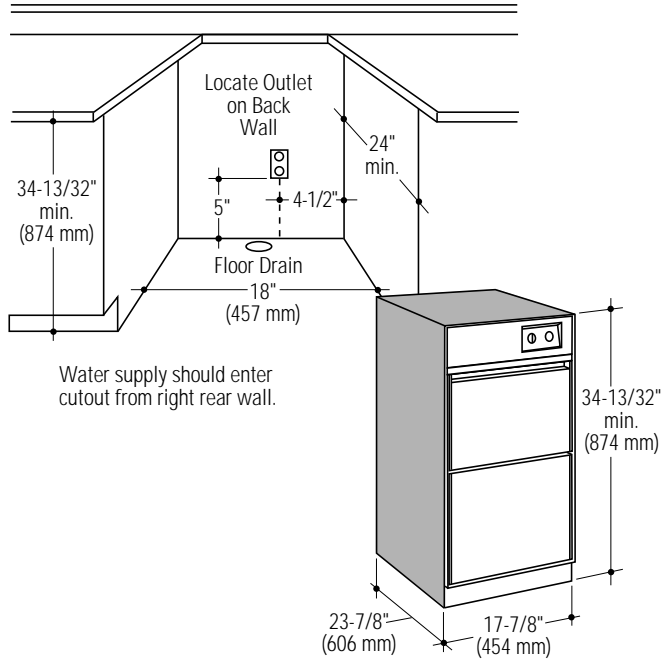




Monogram™

ZDIW50Y—Automatic Icemaker

Dimensions and Specifications (in inches)



Dimensions:

H 34-13/32" (874 mm)

W 17-7/8" (454 mm)

D 23-7/8" (606 mm)

Note: A drain pump is necessary when a floor drain is not available. Contact your local plumber for a recommended pump available in your area.

Warranty Information: Full one-year warranty, in-home service, parts and labor.

Full five-year warranty, parts and labor on the compressor, evaporator and all connecting tubing.

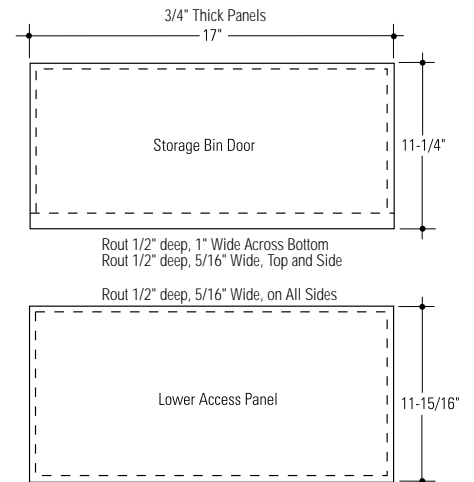
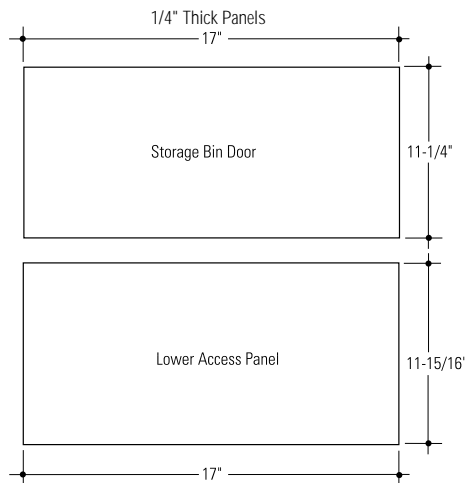
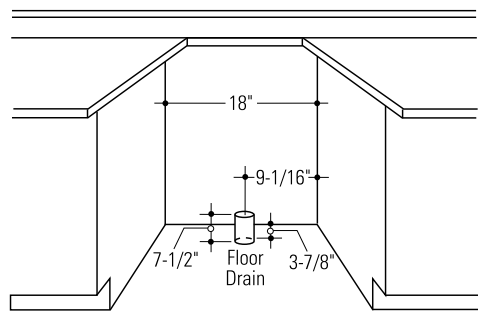
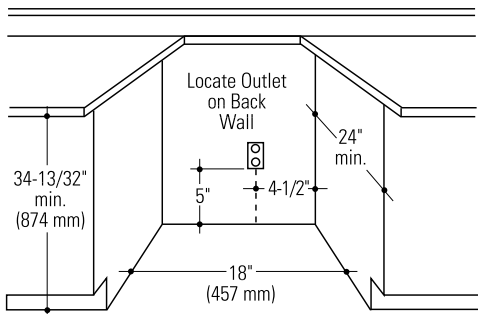
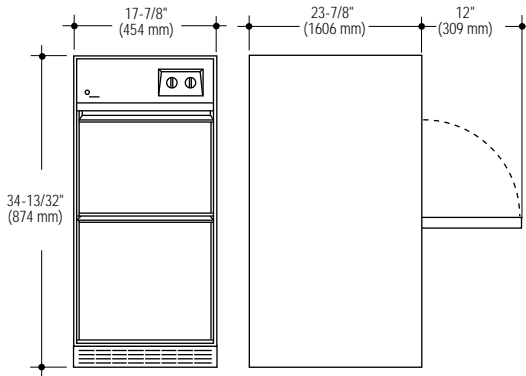




Monogram™

ZDIW50Y—Automatic Icemaker

Dimensions and Specifications (in inches)



The Monogram™ automatic icemaker can be used free-standing or as a built-in, under the countertop.

The Monogram™ automatic icemaker requires a 115 Volt, 60 Hz., AC only power supply, with an individual, properly grounded branch circuit, protected by a 15 amp fuse or circuit breaker.

The Monogram™ automatic icemaker is equipped with a gravity drain. Although a floor drain is acceptable, the ideal installation has a standpipe (1-1/4" minimum diameter) installed directly below the outlet of the drain tube.

To achieve a custom appearance, 1/4" thick custom panels can be used. 3/4" thick custom panels must be routed on all sides as illustrated.

Note: A drain pump is necessary when a floor drain is not available. Contact your local plumber for a recommended pump available in your area.

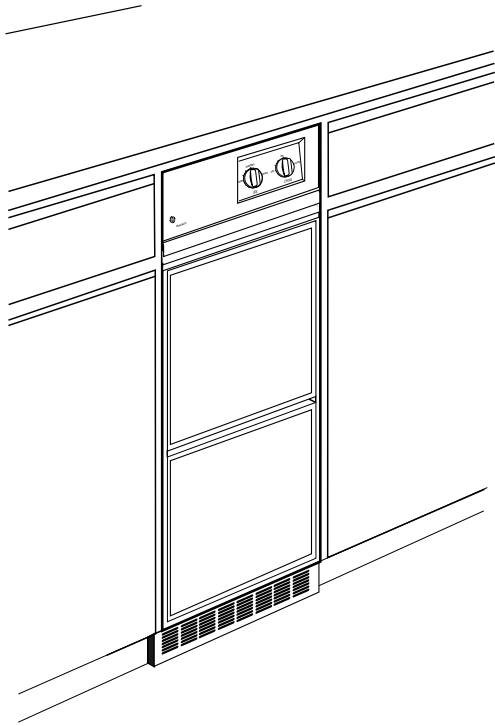
For answers to your GE Monogram™, GE Profile™, GE, Hotpoint and RCA appliance questions, call GE Answer Center® service, 800.626.2000.





Monogram™

ZDIW50Y—Automatic Icemaker



Features and Benefits

- White Model
- 50-lb. Daily Ice Production
- Ice Cube Thickness Control (3/8" to 3/4")
- Automatic Shut-Off
- On, Off and Clean Cycles
- 35-lb. Capacity Storage Bin
- Interior Light
- Built-In or Free-Standing Installation Options
- Drop-Down Door
- Model ZDIW50Y—White
- Model ZDIB50Y—Black