

---

# MICROWAVE HOOD COMBINATION INSTALLATION INSTRUCTIONS

This product is suitable for use above electric or gas cooking products up to 36" (91.4 cm) wide.

These installation instructions cover different models. The appearance of your particular model may differ slightly from the illustration in these installation instructions.

---

## COMBINACIÓN MICROONDAS CAMPANA INSTRUCCIONES DE INSTALACIÓN

Este producto puede usarse encima de productos para cocción eléctricos o a gas de 36" (91,4 cm) de ancho o menor.

Estas instrucciones de instalación cubren diferentes modelos. La apariencia de su modelo en particular puede ser ligeramente diferente de la ilustración en estas instrucciones de instalación.

---

### Table of Contents / Índice

|                                            |    |                                                                |    |
|--------------------------------------------|----|----------------------------------------------------------------|----|
| <b>MICROWAVE OVEN SAFETY</b> .....         | 2  | <b>SEGURIDAD DE LA COMBINACIÓN MICROONDAS CAMPANA</b> ....     | 13 |
| <b>VENTING DESIGN SPECIFICATIONS</b> ..... | 2  | <b>ESPECIFICACIONES PARA EL DISEÑO DE LA VENTILACIÓN</b> ..... | 13 |
| <b>INSTALLATION REQUIREMENTS</b> .....     | 3  | <b>REQUISITOS DE INSTALACIÓN</b> .....                         | 15 |
| Tools and Parts.....                       | 3  | Piezas y herramientas.....                                     | 15 |
| Location Requirements .....                | 4  | Requisitos de ubicación .....                                  | 15 |
| Product Dimensions .....                   | 4  | Dimensiones del producto .....                                 | 16 |
| Electrical Requirements.....               | 5  | Requisitos eléctricos .....                                    | 16 |
| <b>INSTALLATION INSTRUCTIONS</b> .....     | 5  | <b>INSTRUCCIONES DE INSTALACIÓN</b> .....                      | 17 |
| Remove Mounting Plate .....                | 5  | Retire la placa de montaje.....                                | 17 |
| Rotate Blower Motor .....                  | 5  | Rote el motor del soplador .....                               | 17 |
| Locate Wall Stud(s).....                   | 7  | Ubique el(los) pie(s) derecho(s) de pared.....                 | 19 |
| Mark Rear Wall .....                       | 8  | Marque la pared posterior .....                                | 20 |
| Drill Holes in Rear Wall .....             | 8  | Taladrar orificios en la pared posterior.....                  | 20 |
| Attach Mounting Plate to Wall.....         | 9  | Ajuste la placa de montaje a la pared .....                    | 21 |
| Prepare Upper Cabinet .....                | 9  | Preparación del gabinete superior .....                        | 22 |
| Install Damper Assembly.....               | 10 | Instale el ensamblaje de la compuerta de tiro .....            | 22 |
| Install the Microwave Oven .....           | 10 | Instalación del horno de microondas.....                       | 22 |
| Complete Installation.....                 | 12 | Complete la instalación .....                                  | 24 |
| <b>ASSISTANCE</b> .....                    | 12 | <b>ASISTENCIA</b> .....                                        | 24 |
| Replacement Parts .....                    | 12 | Refacciones .....                                              | 24 |
| Accessories .....                          | 12 | Accesorios .....                                               | 24 |

---

**IMPORTANT:** Read Installation Instructions thoroughly before beginning installation. Save Installation Instructions for local house inspector's use.

**IMPORTANTE:** Lea las instrucciones de instalación a fondo antes de comenzar la instalación. Guarde las instrucciones para el uso del inspector local de la casa.

# MICROWAVE OVEN SAFETY

## Your safety and the safety of others are very important.

We have provided many important safety messages in this manual and on your appliance. Always read and obey all safety messages.



This is the safety alert symbol.

This symbol alerts you to potential hazards that can kill or hurt you and others.

All safety messages will follow the safety alert symbol and either the word "DANGER" or "WARNING." These words mean:

**⚠ DANGER**

You can be killed or seriously injured if you don't immediately follow instructions.

**⚠ WARNING**

You can be killed or seriously injured if you don't follow instructions.

All safety messages will tell you what the potential hazard is, tell you how to reduce the chance of injury, and tell you what can happen if the instructions are not followed.

## VENTING DESIGN SPECIFICATIONS

This section is intended for architectural designer and builder/contractor reference only.

### NOTES:

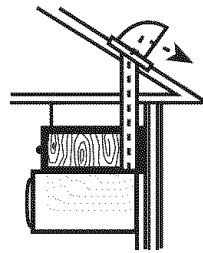
- Vent materials needed for installation are not provided with microwave hood.
- We do not recommend using a flexible metal vent.
- To avoid possible product damage, be sure to vent air outside, unless using ventless (recirculating) installation. Do not vent exhaust air into concealed spaces, such as spaces within walls or ceilings, attics, crawl spaces or garages.

### For optimal venting installation, we recommend:

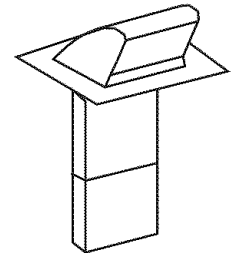
- using roof or wall caps that have back draft dampers
- using a rigid metal vent
- using the most direct route by minimizing the length of the vent and number of elbows to provide efficient performance
- using uniformly sized vents
- using duct tape to seal all joints in the vent system
- using caulking compound to seal exterior wall or roof opening around cap
- not installing 2 elbows together, for optimal hood performance

If venting through the wall, be sure that there is proper clearance within the wall for the damper to open fully.

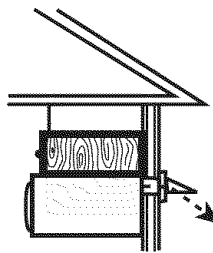
If venting through the roof, and rectangular to round transition is used, be sure there is at least 3" (7.6 cm) of clearance between the top of the microwave oven and the transition piece. See "Rectangular to Round Transition" illustration.



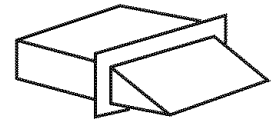
Roof venting



Roof cap



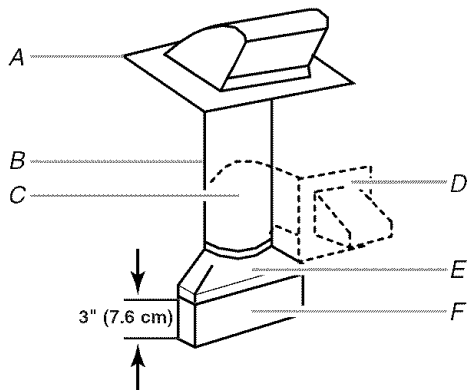
Wall venting



Wall cap

## Rectangular to Round Transition

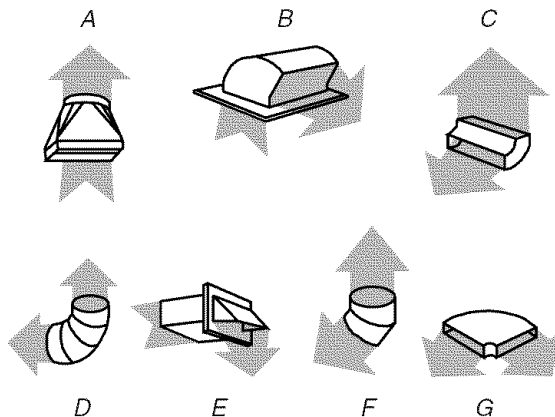
**NOTE:** The minimum 3" (7.6 cm) clearance must exist between the top of the microwave oven and the rectangular to round transition piece so that the damper can open freely and fully.



- A. Roof cap
- B. 6" (15.2 cm) min. diameter round vent
- C. Elbow (for wall venting only)
- D. Wall cap
- E. 3 1/4" x 10" to 6" (8.3 x 25.4 cm to 15.2 cm) rectangular to round transition piece
- F. Vent extension piece, at least 3" (7.6 cm) high

## Recommended Standard Fittings

The following length equivalents are for use when figuring vent length. See the examples in "Recommended Vent Length" later in this section.



- A. Rectangular to round transition piece: 3 1/4" x 10" to 6" = 5 ft (8.3 x 25.4 cm to 15.2 cm = 1.5 m)
- B. Roof cap: 3 1/4" x 10" = 24 ft (8.3 x 25.4 cm = 7.3 m)
- C. 90° elbow: 3 1/4" x 10" = 25 ft (8.3 x 25.4 cm = 7.6 m)
- D. 90° elbow: 6" = 10 ft (15.2 cm = 3 m)
- E. Wall cap: 3 1/4" x 10" = 40 ft (8.3 x 25.4 cm = 12.2 m)
- F. 45° elbow: 6" = 5 ft (15.2 cm = 1.5 m)
- G. 90° flat elbow: 3 1/4" x 10" = 10 ft (8.3 x 25.4 cm = 3 m)

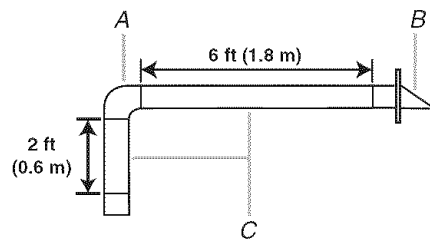
## Recommended Vent Length

A 3 1/4" x 10" (8.3 x 25.4 cm) rectangular or 6" (15.2 cm) round vent should be used.

The total length of the vent system including straight vent, elbow(s), transitions and wall or roof caps must not exceed the equivalent of 140 ft (42.7 m) for either type of vent. See "Recommended Standard Fittings" section for equivalent lengths. For best performance, use no more than three 90° elbows.

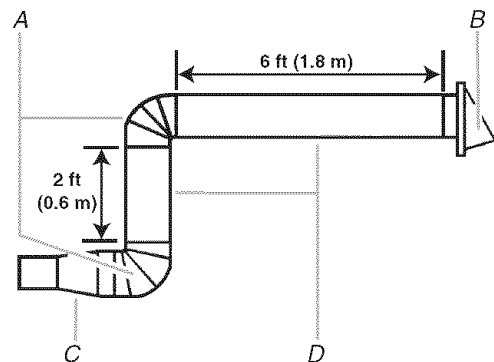
To calculate the length of the system you need, add the equivalent length for each vent piece used in the system. See the following examples:

3 1/4" x 10" (8.3 x 25.4 cm) vent system = 73 ft (22.2 m) total



- A. One 3 1/4" x 10" (8.3 x 25.4 cm) 90° elbow = 25 ft (7.6 m)
- B. 1 wall cap = 40 ft (12.2 m)
- C. 2 ft (0.6 m) + 6 ft (1.8 m) straight = 8 ft (2.4 m)

6" (15.2 cm) vent system = 73 ft (22.2 m) total



- A. Two 90° elbows = 20 ft (6.1 m)
- B. 1 wall cap = 40 ft (12.2 m)
- C. 1 rectangular to round transition piece = 5 ft (1.5 m)
- D. 2 ft (0.6 m) + 6 ft (1.8 m) straight = 8 ft (2.4 m)

If the existing vent is round, a rectangular to round transition piece must be used. In addition, a rectangular 3" (7.6 cm) extension vent between the damper assembly and rectangular to round transition piece must be installed to keep the damper from sticking.

# INSTALLATION REQUIREMENTS

## Tools and Parts

### Tools Needed

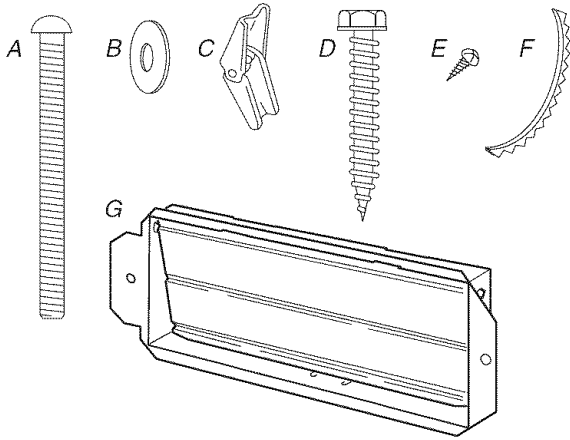
Gather the required tools and parts before starting installation. Read and follow the instructions provided with any tools listed here.

- Measuring tape
- Pencil
- Masking tape or thumbtacks
- Scissors
- No. 2 Phillips screwdriver
- No. 3 Phillips screwdriver for 1/4-20 x 3" round-head bolts
- Electric drill
- 3/16" (5 mm), 3/8" (9.5 mm) drill bits
- 3/4" (19 mm) hole saw
- Stud finder
- 7/16" socket wrench (or box wrench) for 1/4" x 2" lag screws
- 1 1/2" (4 cm) diam. hole drill bit for wood or metal cabinet
- Keyhole saw
- Caulking gun and weatherproof caulking compound
- Duct tape

## Parts Supplied

For reorder information, see "Replacement Parts" section.

**NOTE:** The hardware items listed here are for wood studs. For other types of wall structures, be sure to use appropriate fasteners.



- A. 1/4-20 x 3" bolts (6)
- B. Washers (2)
- C. Toggle nuts (4)
- D. 1/4" x 2" lag screws (4)
- E. Sheet metal screw (1)
- F. Power supply cord bushing (1)
- G. Damper assembly (for wall or roof venting)

**Not Shown:**  
 Upper cabinet template  
 Mounting plate (attached to back of microwave oven)  
 Aluminum grease filters  
 Charcoal filters (Depending on model, charcoal filters may not be included. See Use and Care Guide.)

**NOTE:** Depending on model, aluminum grease filter and charcoal filter may be combined.

## Materials needed

- Standard fittings for wall or roof venting. See "Venting Design Specifications" section.

## Location Requirements

Check the opening where the microwave oven will be installed. The location must provide:

- Minimum installation dimensions. See "Installation Dimensions" illustration.
- Minimum one 2" x 4" (50.8 x 101.6 mm) wood wall stud and minimum 3/8" (9.5 mm) thickness drywall or plaster/lath within cabinet opening.
- Support for weight of 150 lbs (68 kg), which includes microwave oven and items placed inside the microwave oven and upper cabinet.
- Grounded electrical outlet inside upper cabinet. See "Electrical Requirements" section.

## NOTES:

- If installing the microwave oven near a left sidewall, make sure there is at least 6" (15.2 cm) of clearance between the wall and the microwave oven, so that the door can open fully.
- Some cabinet and building materials are not designed to withstand the heat produced by the microwave oven for cooking. Check with your builder or cabinet supplier to make sure that the materials used will not discolor, delaminate or sustain other damages.

## Special Requirements

### For Wall Venting Installation Only:

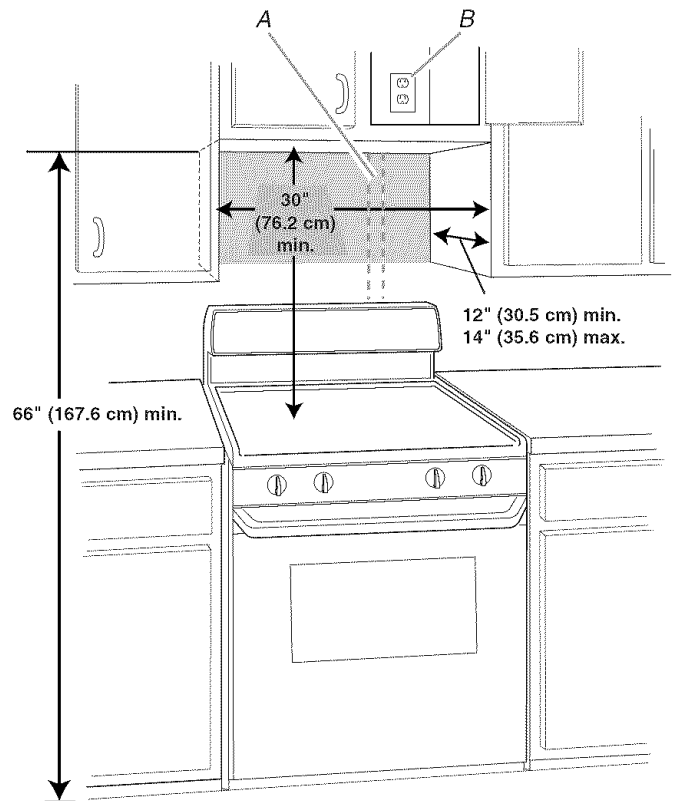
- The 12" x 4" (30.5 x 10.2 cm) cutout area must align with the rectangular hole in the mounting plate.
- Cutout must be free of any obstructions so that the vent tube fits properly, and the damper blade opens freely and fully.

### For Roof Venting Installation Only:

- If using rectangular to round transition piece, the 3" (7.6 cm) clearance needs to exist above the microwave oven so that the damper blade can open freely and fully. See "Rectangular to Round Transition" illustration in "Venting Design Specifications" section.

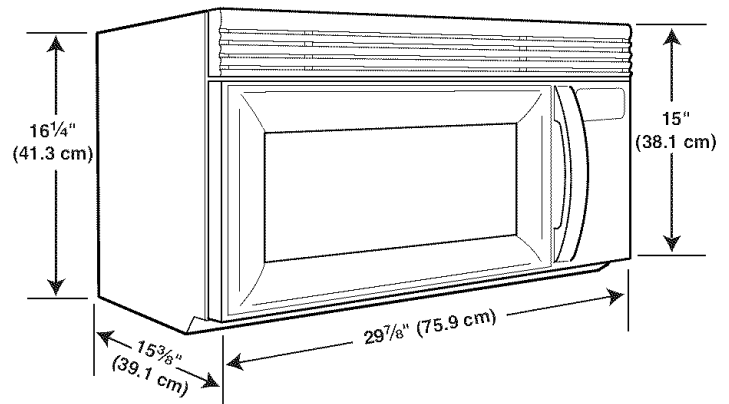
## Installation Dimensions

**NOTE:** The grounded 3 prong outlet must be inside the upper cabinet. See "Electrical Requirements" section.



A. 2" x 4" wall stud  
 B. Grounded 3 prong outlet

## Product Dimensions



## Electrical Requirements

### **⚠ WARNING**



#### Electrical Shock Hazard

- Plug into a grounded 3 prong outlet.
- Do not remove ground prong.
- Do not use an adapter.
- Do not use an extension cord.
- Failure to follow these instructions can result in death, fire, or electrical shock.

Observe all governing codes and ordinances. A 120 Volt, 60 Hz, AC only, 15- or 20-amp fused electrical supply (or circuit breaker) is required. (A time-delay fuse or circuit breaker is recommended.) It is recommended that a separate circuit serving only this appliance be provided.

### GROUNDING INSTRUCTIONS

#### ■ For all cord connected appliances:

The microwave oven must be grounded. In the event of an electrical short circuit, grounding reduces the risk of electric shock by providing an escape wire for the electric current. The microwave oven is equipped with a cord having a grounding wire with a grounding plug. The plug must be plugged into an outlet that is properly installed and grounded.

**WARNING:** Improper use of the grounding plug can result in a risk of electric shock. Consult a qualified electrician or serviceman if the grounding instructions are not completely understood, or if doubt exists as to whether the microwave oven is properly grounded.

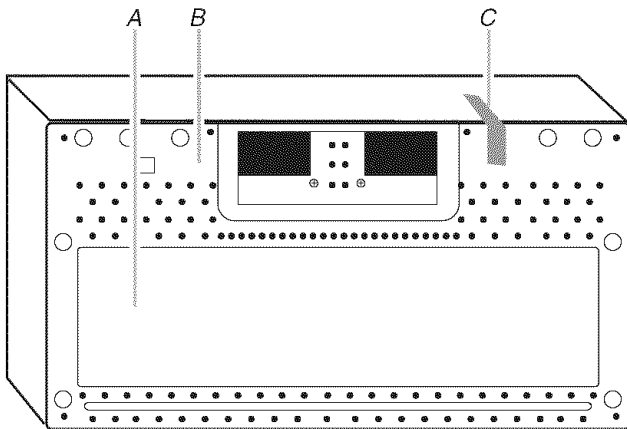
Do not use an extension cord. If the power supply cord is too short, have a qualified electrician or serviceman install an outlet near the microwave oven.

### SAVE THESE INSTRUCTIONS

## INSTALLATION INSTRUCTIONS

### Remove Mounting Plate

1. Remove any remaining contents from the microwave oven cavity.
2. Remove the mounting plate by peeling off the strips of tape that attach it to the back of the microwave oven, and set the mounting plate aside.



A. Back of microwave oven  
B. Mounting plate  
C. Tape (multiple locations)

3. Tape microwave oven door closed so that door does not swing open while microwave oven is being handled.

**NOTE:** Do not grip or use the door or door handle while the microwave oven is being manipulated.

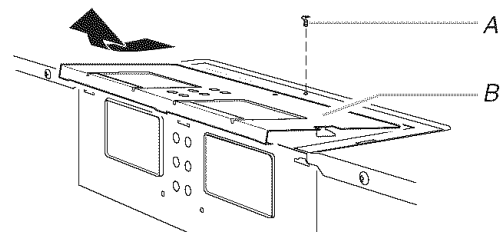
### Rotate Blower Motor

The microwave oven is set for ventless (recirculating) installation. For wall or roof venting, changes must be made to the venting system.

**NOTE:** Skip this section if you are using ventless (recirculating) installation. Keep the damper assembly in case the venting method is changed, or the microwave oven is reinstalled in another location where wall or roof venting may be used.

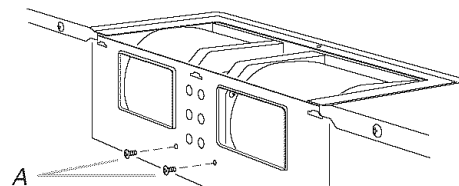
### Wall Venting Installation Only

1. Remove screw attaching damper plate to top of microwave oven exterior. Slide damper plate back and lift up.



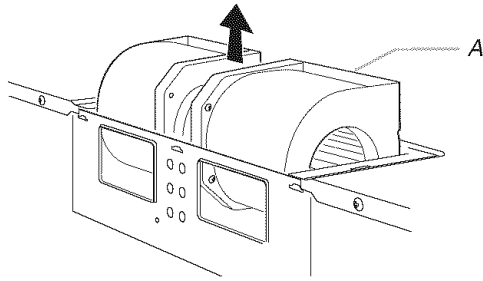
A. Screw  
B. Damper plate

2. Keep damper plate and screw together and set aside.
3. Remove two screws attaching blower motor to back of microwave oven.



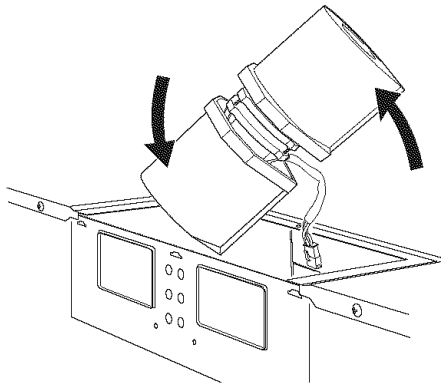
A. Screws

- Lift blower motor out of microwave oven.

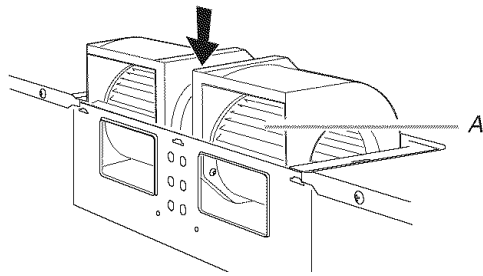


A. Blower motor

- Rotate blower motor end over end.

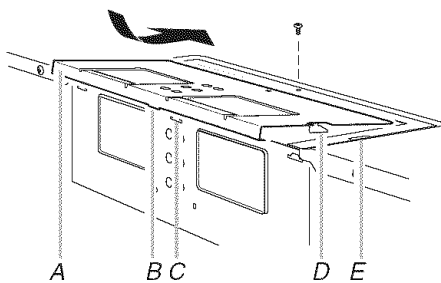


- Rotate blower motor so that exhaust ports face the back of microwave oven, and lower it back into the microwave oven.



A. Exhaust port

- Reattach blower motor to back of microwave oven with 2 screws removed in Step 3.
- Reattach damper plate. Make sure tabs at top and back of damper plate are inserted fully into their respective slots in the microwave oven.

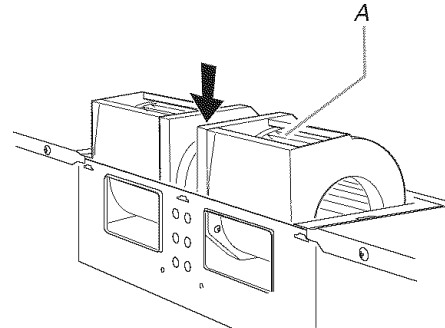


A. Damper plate  
 B. Tabs at back of damper plate  
 C. Slots in back of microwave oven exterior  
 D. Damper plate tabs  
 E. Slots in top of microwave oven exterior

- Secure damper plate with screw.

### Roof Venting Installation Only

- Repeat Step 1 from "Wall Venting Installation Only."
- Repeat Step 2 from "Wall Venting Installation Only."
- Repeat Step 3 from "Wall Venting Installation Only."
- Repeat Step 4 from "Wall Venting Installation Only."
- Rotate blower motor so that exhaust ports face the top of microwave oven, and flat sides of blower motor face back of microwave oven. Lower blower motor back into microwave oven.



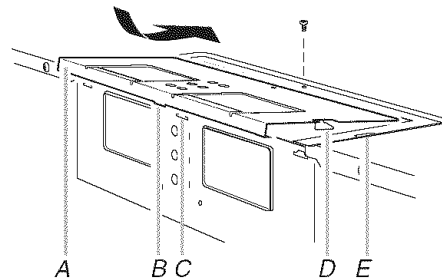
A. Exhaust port

**IMPORTANT:** If blower motor is not positioned with flat sides facing the back of the microwave oven (as shown), performance will be poor.

- Reattach blower motor to back of microwave oven with 2 screws removed in Step 3 of "Wall Venting Installation Only" earlier in this section. Securely tighten screws.

**NOTE:** If blower motor is not correctly oriented, the 2 screws removed in Step 3 cannot be reattached to the microwave oven.

- Reattach damper plate. Make sure tabs at top and back of damper plate are inserted fully into their respective slots in the microwave oven.



A. Damper plate  
 B. Tabs at back of damper plate  
 C. Slots in back of microwave oven exterior  
 D. Damper plate tabs  
 E. Slots in top of microwave oven exterior

- Secure damper plate with screw.

## Locate Wall Stud(s)

**NOTE:** If no wall studs exist within the cabinet opening, do not install the microwave oven.

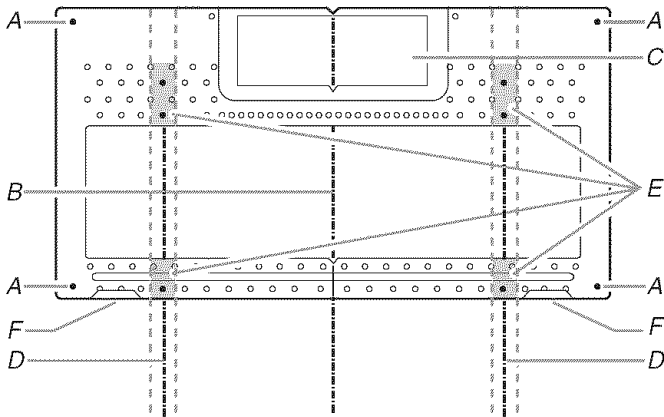
See illustrations in "Possible Wall Stud Configurations."

1. Using a stud finder, locate the edges of the wall stud(s) within the opening.
2. Mark the center of each stud, and draw a plumb line down each stud center. See illustrations in "Possible Wall Stud Configurations."

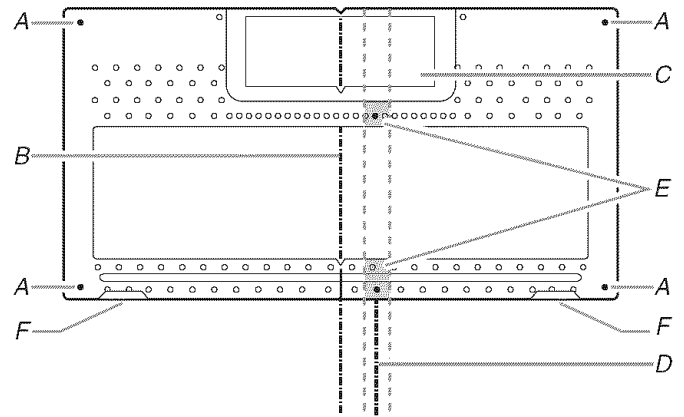
### Possible Wall Stud Configurations

These depictions show examples of preferred installation configurations with the mounting plate.

**No Wall Studs at Corner Holes**  
Figure 1

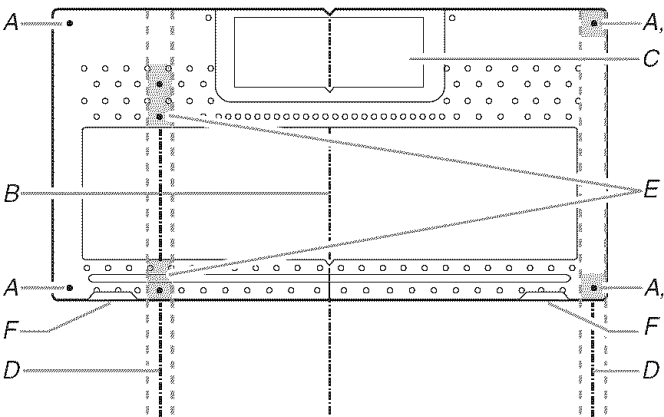


**No Wall Studs at Corner Holes**  
Figure 2

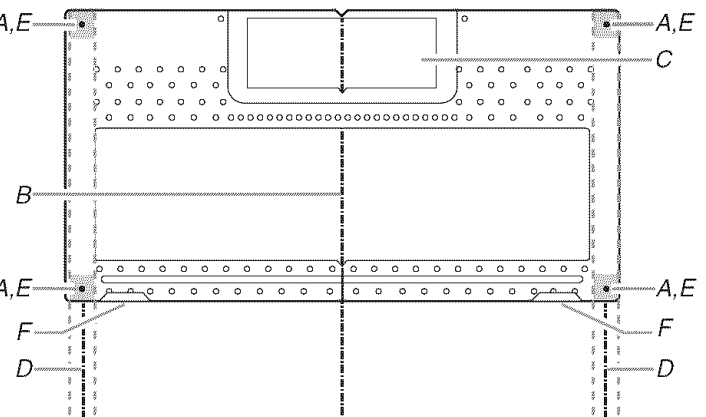


**NOTE:** If wall stud is behind vent opening, only ventless (recirculating) or roof venting installation can be done.

**One Wall Stud at Two Corner Holes**  
Figure 3



**Wall Studs at All Four Corner Holes**  
Figure 4

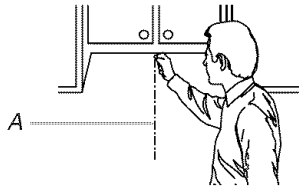


- A. Corner holes (on mounting plate)
- B. Cabinet opening vertical centerline
- C. Wall vent opening (on mounting plate)
- D. Wall stud centerlines
- E. Holes for lag screws
- F. Support tabs

## Mark Rear Wall

The microwave oven must be installed on a minimum of 1 wall stud, preferably 2, using a minimum of 1 lag screw, preferably 2 or more.

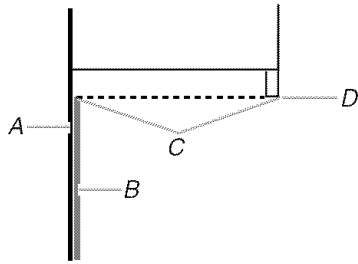
- Using measuring tape, find and clearly mark the vertical centerline of the opening.



A. Centerline

- With the support tabs facing forward (see illustrations in "Possible Wall Stud Configurations" in "Locate Wall Stud(s)" section), align the mounting plate to the centerline on the wall, making sure it is level, and that the top of the mounting plate is butted up against the bottom edge of the upper cabinet.

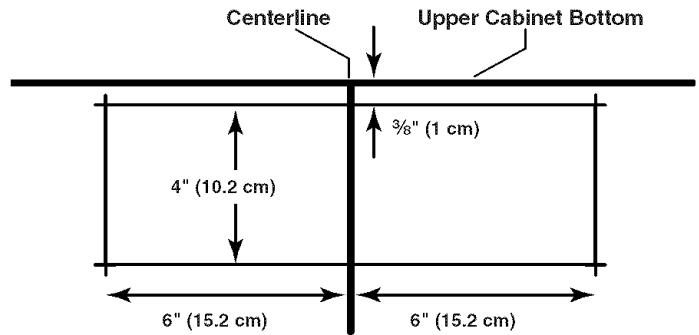
**NOTE:** If the front edge of the upper cabinet is lower than the back edge, lower the mounting plate so that its top is level with the front edge of the cabinet.



A. Rear wall  
B. Mounting plate  
C. Top of mounting plate must align with front edge of cabinet.  
D. Front edge of upper cabinet

- Holding the mounting plate in place, mark the 4 corner holes.
- Find the wall stud centerline(s) marked in Step 2 of "Locate Wall Stud(s)," and mark at least 1, preferably 2 or more, hole(s) through the mounting plate, closest to the centerline(s). See figures 1, 2 and/or 3 in "Possible Wall Stud Configurations" in "Locate Wall Stud(s)" section. The blackened holes in the shaded areas are ideal hole locations.
- Set mounting plate aside.

## Wall Venting Installation Only



- Mark the centerline  $\frac{3}{8}$ " (1 cm) down from the bottom edge of the upper cabinet.
- Using measuring tape, measure out 6" (15.2 cm) on both sides of the centerline, and mark.
- Measure down 4" (10.2 cm) from the mark made in Step 6, and mark.
- Using a straightedge, draw the 2 horizontal, level lines through the marks made in steps 6 and 8.
- Draw the 2 vertical, plumb lines down from the marks made in Step 7 to complete the 12" x 4" (30.5 x 10.2 cm) rectangle. This is the venting cutout area.
- Cut a  $\frac{3}{4}$ " (19 mm) hole in one corner of the cutout area.
- Using a keyhole saw, cut out the venting cutout area.

## Drill Holes in Rear Wall

In addition to being installed on at least 1 wall stud, the mounting plate must attach to the wall at all 4 corner holes. If the holes are not over wall studs, use four  $\frac{1}{4}$ -20 x 3" bolts with toggle nuts; if 2 holes are over wall studs, use 2 each of lag screws and  $\frac{1}{4}$ -20 x 3" bolts with toggle nuts; or if all 4 holes are over wall studs, use 4 lag screws. Following are 3 installation configurations.

### Installation for No Wall Studs at Corner Holes (Figures 1 & 2)

- Drill  $\frac{3}{4}$ " (19 mm) holes through the wall at all 4 corner holes marked in Step 3 of "Mark Rear Wall."
- Drill  $\frac{3}{16}$ " (5 mm) hole(s) into the wall stud(s) at the hole(s) marked in Step 4 of "Mark Rear Wall." Refer to figures 1 and 2 in "Possible Wall Stud Configurations" in "Locate Wall Stud(s)" section.

### Installation for One Wall Stud at Two Corner Holes (Figure 3)

- Drill  $\frac{3}{16}$ " (5 mm) holes into the wall stud at the 2 corner holes marked in Step 3 of "Mark Rear Wall."
- If installing on a second wall stud, drill  $\frac{3}{16}$ " (5 mm) hole(s) into the wall stud at the holes marked in Step 4 of "Mark Rear Wall." Refer to Figure 3 in "Possible Wall Stud Configurations" in "Locate Wall Stud(s)" section.
- Drill  $\frac{3}{4}$ " (19 mm) holes through the wall at the other 2 corner holes.

### Installation for Wall Studs at All Four Corner Holes (Figure 4)

- Drill  $\frac{3}{16}$ " (5 mm) holes into the studs at the 4 corner holes marked in Step 3 of "Mark Rear Wall."



## Attach Mounting Plate to Wall

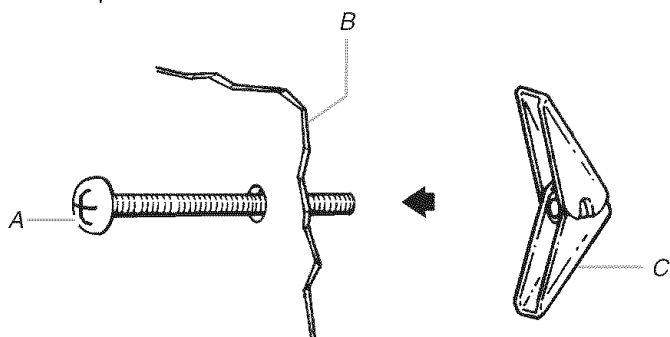
**NOTE:** Secure the mounting plate to the wall at all 4 corner holes drilled into the wall studs and/or drywall using either 1/4-20 x 3" bolts and toggle nuts or 1/4 x 2" lag screws.

Refer to illustrations in "Possible Wall Stud Configurations" in "Locate Wall Stud(s)" section.

### No Wall Studs at Corner Holes (Figures 1 & 2)

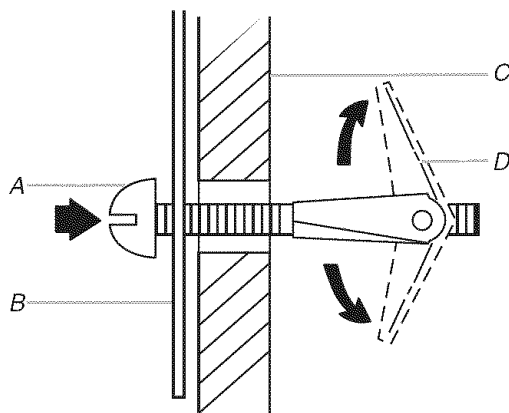
**NOTE:** The mounting plate must also be secured to the wall on at least 1 wall stud as well as at all 4 corners.

1. With the support tabs of the mounting plate facing forward, insert 1/4-20 x 3" bolts through all 4 corner holes of mounting plate.
2. Start toggle nuts on bolts from the back of the mounting plate. Leave enough space for the toggle nuts to go through the wall and open.



A. 1/4-20 x 3" bolt  
B. Mounting plate  
C. Spring toggle nut

3. Position mounting plate on the wall, making sure that the top of the mounting plate is aligned with the front edge of the upper cabinet.
4. Push the 4 bolts with toggle nuts through the drywall, and finger tighten the bolts to make sure toggle nuts have opened against drywall.



A. 1/4-20 x 3" bolt  
B. Mounting plate  
C. Drywall  
D. Spring toggle nut

5. Insert lag screw(s) into the holes drilled into wall stud(s) in Step 2 of "Installation for No Wall Studs at Corner Holes" in the "Drill Holes in Rear Wall" section.
6. Check alignment of mounting plate, making sure it is level.
7. Securely tighten all lag screws and bolts.

### One Wall Stud at Two Corner Holes (Figure 3)

1. With the support tabs of the mounting plate facing forward, insert 1/4-20 x 3" bolts through the 2 corner holes that fit over the two 3/4" (19 mm) holes drilled in Step 2 of "Installation for One Wall Stud at Two Corner Holes" in the "Drill Holes in Rear Wall" section.
2. Start toggle nuts on the bolts from the back of the mounting plate. Leave enough space for the toggle nut to go through the wall and to open.
3. Position mounting plate on the wall, making sure that the top of the mounting plate is aligned with the front edge of the upper cabinet.
4. Push the 2 bolts with toggle nuts through the drywall, and finger tighten the bolts to make sure toggle nuts have opened against drywall.
5. Insert 2 lag screws into the remaining 2 corner holes.
6. If installing on a second wall stud, insert lag screw(s) into the other hole(s) drilled in Step 2 of "Installation for One Wall Stud at Two Corner Holes" in the "Drill Holes in Rear Wall" section.
7. Check alignment of mounting plate, making sure it is level.
8. Securely tighten all lag screws and bolts.

### Wall Studs at All Four Corner Holes (Figure 4)

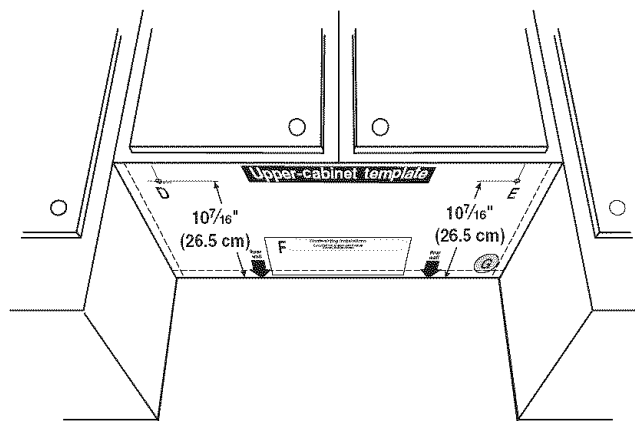
1. Position mounting plate on the wall, making sure that the top of the mounting plate is aligned with the front edge of the upper cabinet.
2. Insert lag screws into the 4 corner holes.
3. Check alignment of mounting plate, making sure it is level.
4. Securely tighten all lag screws.

## Prepare Upper Cabinet

1. Disconnect power to outlet.
2. Remove all contents from upper cabinet.
3. Place Upper Cabinet Template against the bottom of the upper cabinet. Make sure the template centerline aligns with the vertical centerline on the rear wall.  
The "rear wall" arrows must be against the rear wall so that the holes cut into the upper cabinet align with the holes in the top of the microwave oven.

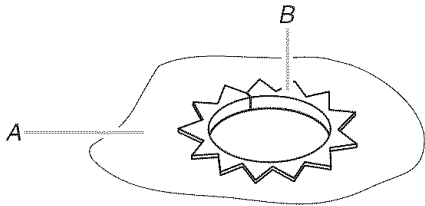
**NOTE:** If the upper cabinet has a frame around it, trim the template edges so that it fits inside the frame, against the upper cabinet bottom. The template has trim lines to use as guides.

4. Make sure the 10<sup>7</sup>/<sub>16</sub>" (26.5 cm) dimension from the rear wall to points "D" and "E" on the template is maintained.



- Cut the 1½" (3.8 cm) diameter hole at the circular shaded area "G" on the template. This hole is for the power supply cord.

**NOTE:** If upper cabinet is metal, the supply cord bushing needs to be installed around the supply cord hole, as shown.



A. Metal cabinet  
B. Power supply cord bushing

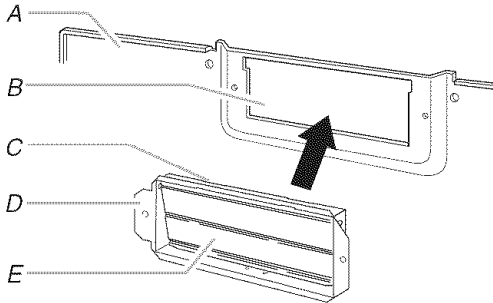
- Drill 3/8" (10 mm) holes at points "D" and "E" on the template. These are for two 1/4-20 x 3" round-head bolts and washers used to secure the microwave oven to the upper cabinet.

### For Roof Venting Installation Only

- Cut 3/4" (19 mm) hole at one corner of the shaded rectangular area "F" on Upper Cabinet Template.
- Using a keyhole saw, cut out the rectangular area.

### Install Damper Assembly (for wall venting only)

- Check that damper blade moves freely, and opens toward the wall fully.
- Push damper assembly through opening in mounting plate so that tabs in damper assembly lock damper assembly against mounting plate. Long tab of damper assembly must be to left side of mounting plate.



A. Mounting plate  
B. Mounting plate opening  
C. Damper assembly  
D. Long tab  
E. Damper blade

## Install the Microwave Oven

### **⚠ WARNING**

#### Excessive Weight Hazard

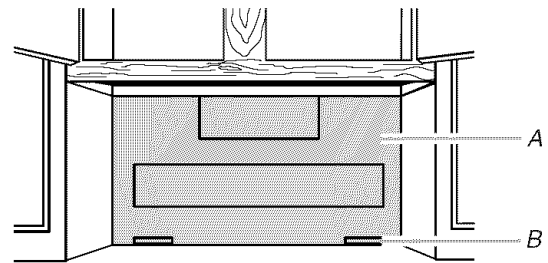
Use two or more people to move and install microwave oven.

Failure to do so can result in back or other injury.

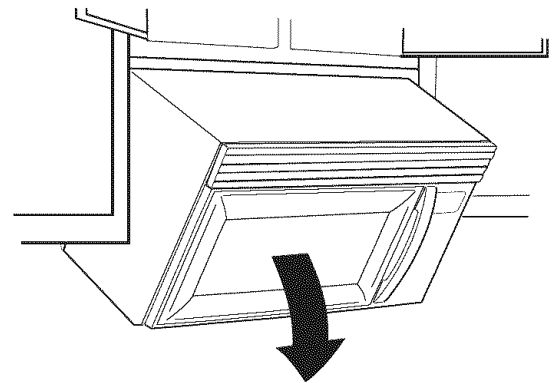
**IMPORTANT:** The control side of the unit is the heavy side. Handle the microwave oven gently.

- Place a washer on each 1/4-20 x 3" bolt and place inside upper cabinet near the 3/8" (10 mm) holes.
- Make sure the microwave oven door is closed and taped shut.
- Using 2 or more people, lift microwave oven and hang it on support tabs at the bottom of mounting plate.

**NOTE:** Do not grip or use the door or door handle during installation.



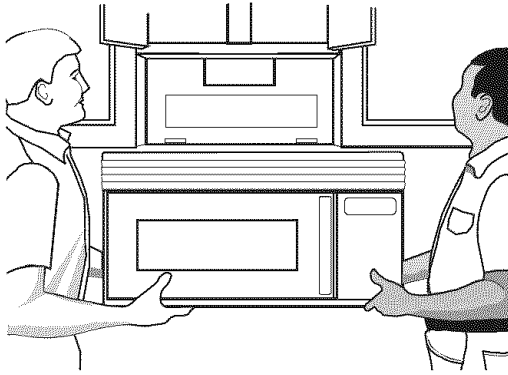
A. Mounting plate  
B. Support tabs



- With front of microwave oven still tilted, thread power supply cord through the power supply cord hole in the bottom of the upper cabinet.
- Rotate microwave oven up toward upper cabinet. Push microwave oven against mounting plate and hold in place.

**NOTE:** If microwave oven does not need to be adjusted, skip steps 6-8.

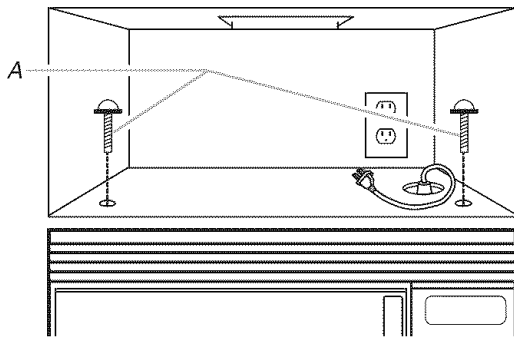
- If adjustment is required, rotate microwave oven downward. Using 2 or more people, lift microwave oven off of mounting plate, and set aside on a protected surface.



- Loosen mounting plate screws. Adjust mounting plate and retighten screws.
- Repeat steps 3-5.
- With the microwave oven centered, and with at least one person holding it in place, insert bolts through upper cabinet into microwave oven. Tighten bolts until there is no gap between upper cabinet and microwave oven.

**NOTES:**

- Some upper cabinets may require bolts longer or shorter than 3" (7.6 cm). Longer or shorter bolts are available at most hardware stores.
- Overtightening bolts may warp the top of the microwave oven. To avoid warping, wood filler blocks may be added. The blocks must be the same thickness as the space between the upper cabinet bottom and the microwave oven.

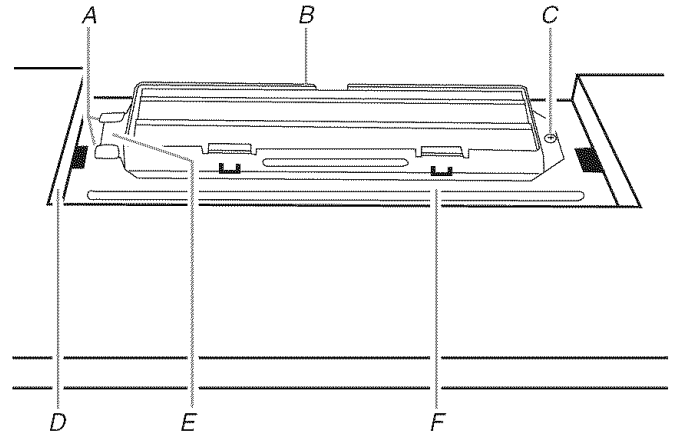


A. Bolts

**For Roof Venting Installation Only**

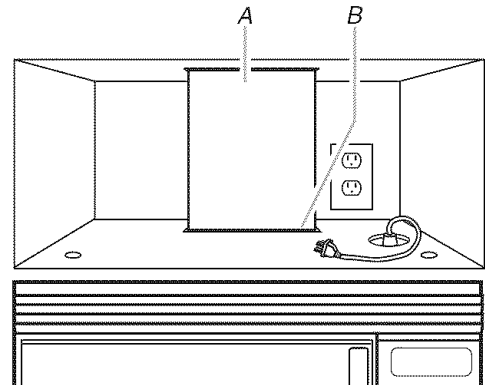
- Insert damper assembly through the cabinet cutout so that the long tab of the damper assembly slides under the raised tabs of the damper plate. Then secure with sheet metal screw.

**NOTE:** The screw cannot be installed if the damper assembly is not positioned as shown.



- A. Raised tabs
- B. Damper assembly
- C. Sheet metal screw
- D. Upper cabinet cutout
- E. Long tab
- F. Damper plate

- Connect vent to damper assembly.



- A. Vent
- B. Damper assembly (under vent)

## Complete Installation

1. Refer to the Use and Care Guide for instructions on how to install filters into your model.

### **⚠ WARNING**



#### **Electrical Shock Hazard**

- Plug into a grounded 3 prong outlet.**
- Do not remove ground prong.**
- Do not use an adapter.**
- Do not use an extension cord.**
- Failure to follow these instructions can result in death, fire, or electrical shock.**

2. Plug microwave oven into grounded 3 prong outlet.
3. Reconnect power.
4. Check the operation of microwave oven by placing 1 cup (250 mL) of water on the turntable, and programming a cook time of 1 minute at 100% power. Test vent fan by touching the vent fan pad.
5. If the microwave oven does not operate:
  - Check that a household fuse has not blown, or a circuit breaker tripped. Replace the fuse or reset the circuit breaker. If the problem continues, call an electrician.
  - Check that the power supply cord is plugged into a grounded 3 prong outlet.
  - See the Use and Care Guide for troubleshooting information.

Installation is now complete.

Save Installation Instructions for future use.

## ASSISTANCE

Call your authorized dealer or service center. When you call, you will need the microwave oven model number and serial number. Both numbers can be found on the model and serial number plate, which is located behind the microwave oven door on the front frame of the microwave oven.

If you need additional assistance, call us at our toll free number listed in the Use and Care Guide, or visit us on the Web.

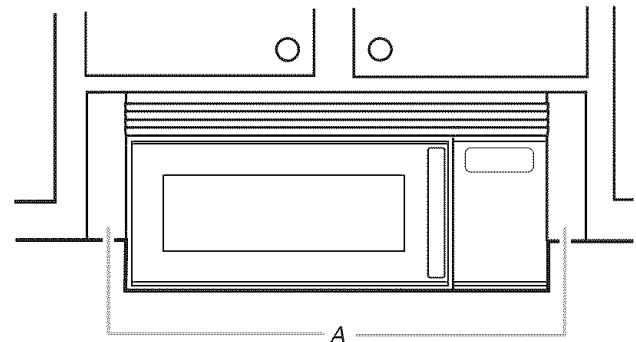
## Replacement Parts

If any of the installation hardware needs to be replaced, call us at our toll free number listed in the Use and Care Guide, and reference the appropriate part number listed here.

|                                               |                                                                                            |
|-----------------------------------------------|--------------------------------------------------------------------------------------------|
| Damper Assembly<br>Part Number 8205558        | Mounting Screw Kit (includes parts A-F in "Parts Supplied" section)<br>Part Number 8205948 |
| Mounting Plate<br>Part Number 8205400         |                                                                                            |
| Upper Cabinet Template<br>Part Number 8205924 |                                                                                            |

## Accessories

Filler Panel Kits are available from your dealer to use when installing this microwave oven in a 36" (91.4 cm) or 42" (106.7 cm) wide opening. The filler panels come in pairs. Each panel is 3" (7.6 cm) wide.



A. Filler panels

|                         |         |                 |
|-------------------------|---------|-----------------|
| Filler Panel Kit Number | 8171336 | White           |
|                         | 8171337 | Black           |
|                         | 8171338 | Biscuit         |
|                         | 8171339 | Stainless Steel |
|                         | 99403   | Almond          |

See your authorized dealer or service center for details.

# SEGURIDAD DE LA COMBINACIÓN MICROONDAS CAMPANA

## Su seguridad y la seguridad de los demás es muy importante.

Hemos incluido muchos mensajes importantes de seguridad en este manual y en su electrodoméstico. Lea y obedezca siempre todos los mensajes de seguridad.



Este es el símbolo de advertencia de seguridad.

Este símbolo le llama la atención sobre peligros potenciales que pueden ocasionar la muerte o una lesión a usted y a los demás.

Todos los mensajes de seguridad irán a continuación del símbolo de advertencia de seguridad y de la palabra "PELIGRO" o "ADVERTENCIA". Estas palabras significan:

**PELIGRO**

Si no sigue las instrucciones de inmediato, usted puede morir o sufrir una lesión grave.

**ADVERTENCIA**

Si no sigue las instrucciones, usted puede morir o sufrir una lesión grave.

Todos los mensajes de seguridad le dirán el peligro potencial, le dirán cómo reducir las posibilidades de sufrir una lesión y lo que puede suceder si no se siguen las instrucciones.

## ESPECIFICACIONES PARA EL DISEÑO DE LA VENTILACIÓN

Esta sección ha sido creada solamente para referencia del diseñador arquitectónico y constructor/contratista.

### NOTAS:

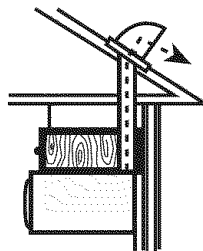
- Los materiales de ventilación necesarios para la instalación no se proveen con la combinación microondas campana.
- No recomendamos usar un ducto de escape de metal flexible.
- Para evitar posibles daños al producto, asegúrese de ventilar el aire hacia el exterior, a menos que se trate de una instalación sin ducto de escape (con recirculación). No ventile el aire de escape en espacios ocultos, tales como espacios dentro de paredes o techos, desvanes, espacios angostos o garages.

### Para una instalación con ventilación óptima, recomendamos:

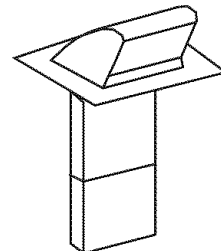
- usar cubiertas de techo o de pared que tengan compuertas de contratiro
- usar un ducto de escape de metal rígido
- usar la ruta más directa reduciendo al mínimo el largo del ducto y el número de codos para proveer un funcionamiento eficaz
- usar ductos de escape de tamaño uniforme
- usar cinta para ductos para sellar todas las juntas en el sistema de ventilación
- usar un compuesto de calafateo para sellar la abertura de la pared o el techo exterior alrededor de la cubierta
- para un funcionamiento óptimo de la campana, no instalar 2 codos juntos

Si va a tener la ventilación a través de la pared, cerciórese de que haya el espacio adecuado dentro de la pared para poder abrir completamente la compuerta.

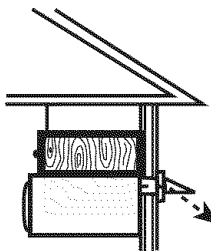
Si va a tener la ventilación a través del techo y va a usar un tubo de ajuste rectangular a redondo, cerciórese de que haya un espacio de por lo menos 3" (7,6 cm) entre la parte superior del horno de microondas y el tubo de ajuste. Vea la ilustración "Tubo de ajuste rectangular a redondo".



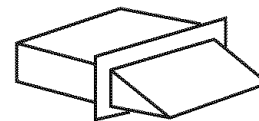
Ventilación a través del techo



Cubierta del techo



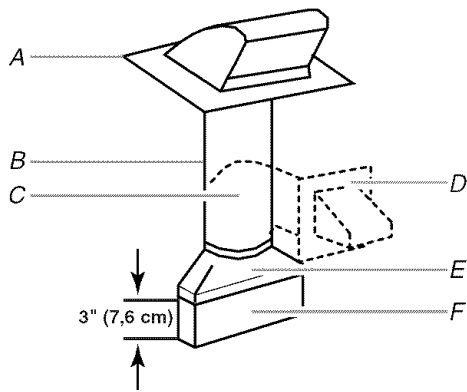
Ventilación a través de la pared



Cubierta de la pared

## Tubo de ajuste rectangular a redondo

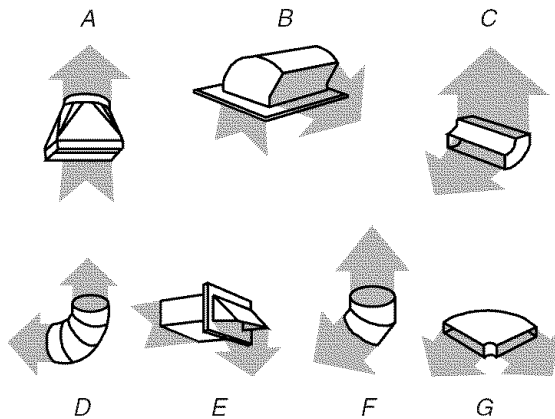
**NOTA:** Debe haber un espacio mínimo de 3" (7,6 cm) entre la parte superior del horno de microondas y el tubo de ajuste rectangular a redondo para poder abrir la compuerta libre y completamente.



- A. Cubierta del techo
- B. Ducto de escape redondo con diámetro mín. de 6" (15,2 cm)
- C. Codo (solamente para la ventilación a través de la pared)
- D. Cubierta de la pared
- E. Tubo de ajuste rectangular a redondo de 3 1/4" x 10" a 6" (8,3 x 25,4 cm a 15,2 cm)
- F. Pieza para la extensión del ducto de escape, por lo menos de 3" (7,6 cm) de altura

## Accesorios corrientes recomendados

Los largos equivalentes que siguen son para usarse cuando calcule el largo del ducto de escape. Vea los ejemplos en "Largo recomendado del ducto de escape", más adelante en esta sección.



- A. Tubo de ajuste rectangular a redondo: 3 1/4" x 10" a 6" = 5 pies (8,3 x 25,4 cm a 15,2 cm = 1,5 m)
- B. Cubierta del techo: 3 1/4" x 10" = 24 pies (8,3 x 25,4 cm = 7,3 m)
- C. Codo de 90°: 3 1/4" x 10" = 25 pies (8,3 x 25,4 cm = 7,6 m)
- D. Codo de 90°: 6" = 10 pies (15,2 cm = 3 m)
- E. Cubierta de la pared: 3 1/4" x 10" = 40 pies (8,3 x 25,4 cm = 12,2 m)
- F. Codo de 45°: 6" = 5 pies (15,2 cm = 1,5 m)
- G. Codo plano de 90°: 3 1/4" x 10" = 10 pies (8,3 x 25,4 cm = 3 m)

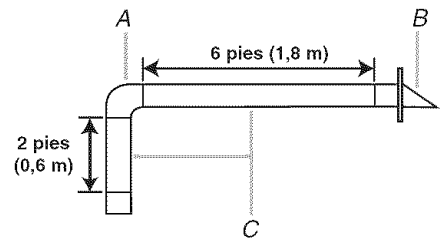
## Largo recomendado del ducto de escape

Deberá usarse un ducto de escape rectangular de 3 1/4" x 10" (8,3 x 25,4 cm) o un ducto de escape redondo de 6" (15,2 cm).

La longitud total del sistema de ventilación incluyendo el ducto de escape derecho, el(los) codo(s), los tubos de ajuste y las cubiertas de la pared o del piso no deberá exceder del equivalente a 140 pies (42,7 m) para cualquier tipo de ventilación. Vea la sección "Accesorios corrientes recomendados" para los largos equivalentes.

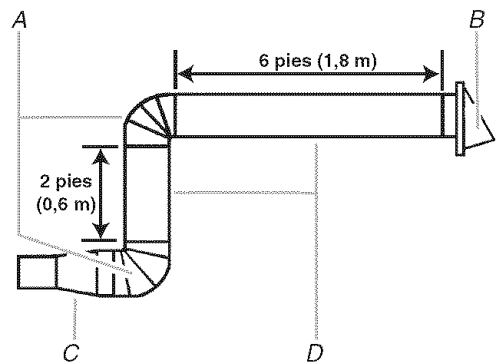
Para un mejor funcionamiento, no use más de tres codos de 90°. Para calcular el largo del sistema que va a necesitar, agregue el largo equivalente para cada pieza de ventilación a ser usada en el sistema. Vea los ejemplos siguientes:

**Sistema de ventilación de 3 1/4" x 10" (8,3 x 25,4 cm) = 73 pies (22,2 m) en total**



- A. Un codo de 90° de 3 1/4" x 10" (8,3 x 25,4 cm) = 25 pies (7,6 m)
- B. 1 cubierta de pared = 40 pies (12,2 m)
- C. 2 pies (0,6 m) + 6 pies (1,8 m) recto = 8 pies (2,4 m)

**Sistema de ventilación de 6" (15,2 cm) = 73 pies (22,2 m) en total**



- A. Dos codos de 90° = 20 pies (6,1 m)
- B. 1 cubierta de pared = 40 pies (12,2 m)
- C. 1 tubo de ajuste rectangular a redondo = 5 pies (1,5 m)
- D. 2 pies (0,6 m) + 6 pies (1,8 m) recto = 8 pies (2,4 m)

Si el ducto de escape existente es redondo, deberá usarse un tubo de ajuste rectangular a redondo. También deberá instalarse un ducto de escape de extensión rectangular de 3" (7,6 cm) entre el ensamblaje de la compuerta y el tubo de ajuste rectangular a redondo para evitar que la compuerta se adhiera.

# REQUISITOS DE INSTALACIÓN

## Piezas y herramientas

### Herramientas necesarias

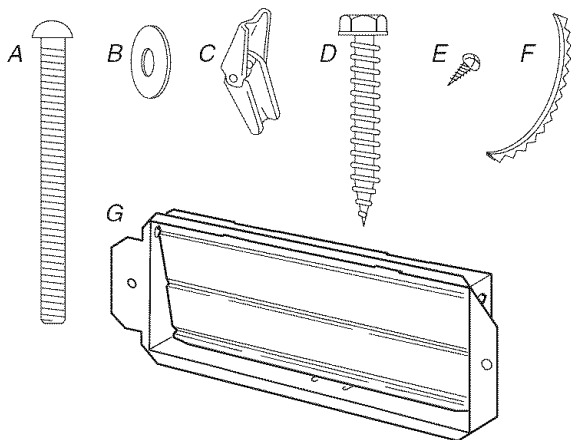
Reúna las herramientas y piezas necesarias antes de comenzar la instalación. Lea y siga las instrucciones provistas con cualquiera de las herramientas enlistadas aquí.

- Cinta de medir
- Lápiz
- Cinta adhesiva protectora o chinchas
- Tijeras
- Destornillador Phillips N° 2
- Destornillador Phillips N° 3 para los pernos de cabeza redonda de 1/4-20 x 3"
- Taladro eléctrico
- Brocas de barrena de 3/16" (5 mm) y 3/8" (9,5 mm)
- Sierra perforadora de 3/4" (19 mm)
- Detector de pies derechos
- Llave de tubo de 7/16" (o llave de cubo) para los tirafondos de 1/4" x 2"
- Broca de barrena para un orificio con un diám. de 1 1/2" (4 cm) para el gabinete de madera o de metal
- Sierra caladora
- Pistola para calafateo y masilla para calafateo a prueba de agua
- Cinta para tubos

### Piezas suministradas:

Para recibir información sobre cómo volver a pedir, vea la sección "Refacciones".

**NOTA:** Los artículos de ferretería que se enumeran aquí son para los pies derechos de madera. Para otros tipos de estructuras de pared, asegúrese de usar los sujetadores adecuados.



- A. Pernos de 1/4-20 x 3" (6)
- B. Arandelas (2)
- C. Tuercas de ajuste (4)
- D. Tirafondos de 1/4" x 2" (4)
- E. Tornillo para lámina metálica (1)
- F. Forro del cable de suministro de energía (1)
- G. Ensamblaje de la compuerta (para la ventilación a través de la pared o del techo)

### No se muestra:

Plantilla del gabinete superior  
Placa de montaje (sujeta a la parte posterior del horno de microondas)  
Filtros para grasa de aluminio  
Filtros de carbón (Según el modelo, tal vez no se incluyan filtros de carbón. Vea el Manual de Uso y Cuidado.)

**NOTA:** Según el modelo, el filtro de aluminio para grasa y el filtro de carbón pueden combinarse.

### Materiales necesarios

Accesorios corrientes para la ventilación a través de la pared o del techo. Vea la sección "Especificaciones para el diseño de la ventilación".

## Requisitos de ubicación

Revise la abertura donde se instalará el horno de microondas. El lugar debe tener:

- Dimensiones mínimas para la instalación. Vea la ilustración "Dimensiones de instalación".
- Un pie derecho de pared de madera como mínimo, de 2" x 4" (50,8 x 101,6 mm) y un muro de mampostería o yeso/listón con un espesor mínimo de 3/8" (9,5 mm) dentro de la abertura del gabinete.
- Un soporte para un peso de 150 libras (68 kg), el cual incluye el horno de microondas y los objetos que se coloquen dentro del mismo, así como también en el gabinete superior.
- Un contacto eléctrico conectado a tierra dentro del gabinete superior. Vea la sección "Requisitos eléctricos".

### NOTAS:

- Si va a instalar el horno de microondas cerca de una pared lateral izquierda, asegúrese de dejar un espacio de por lo menos 6" (15,2 cm) entre la pared y el horno de microondas, para que la puerta se pueda abrir en toda su extensión.
- Algunos gabinetes y materiales de construcción no han sido diseñados para resistir el calor que produce el horno de microondas durante la cocción. Verifique con el constructor o distribuidor de gabinetes para asegurarse de que los materiales que se usen no se descoloren, astillen ni sufran ningún otro tipo de daño.

### Requisitos especiales

#### Solamente para la instalación con ventilación en la pared:

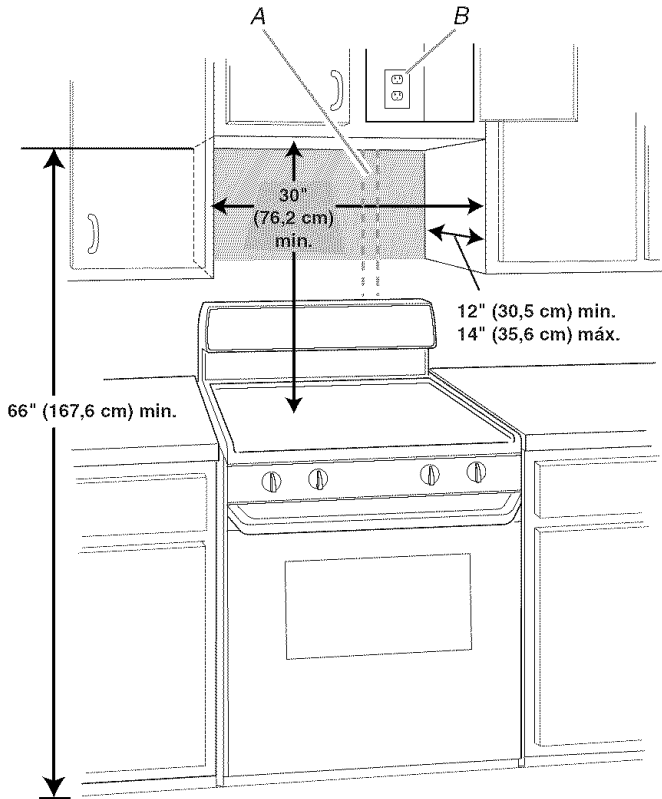
- El área del recorte de 12" x 4" (30,5 x 10,2 cm) deberá alinearse con el orificio rectangular en la placa de montaje.
- El recorte deberá estar libre de cualquier obstrucción para que el tubo de ventilación encaje como es debido y la hoja de la compuerta se abra libre y completamente.

#### Solamente para la instalación con ventilación en el techo:

- Si usa un tubo de ajuste rectangular a redondo, deberá haber un espacio de 3" (7,6 cm) por encima del horno de microondas, para que la hoja de la compuerta pueda abrirse libre y completamente. Vea la ilustración "Tubo de ajuste rectangular a redondo" en la sección "Especificaciones para el diseño de la ventilación".

## Dimensiones de instalación

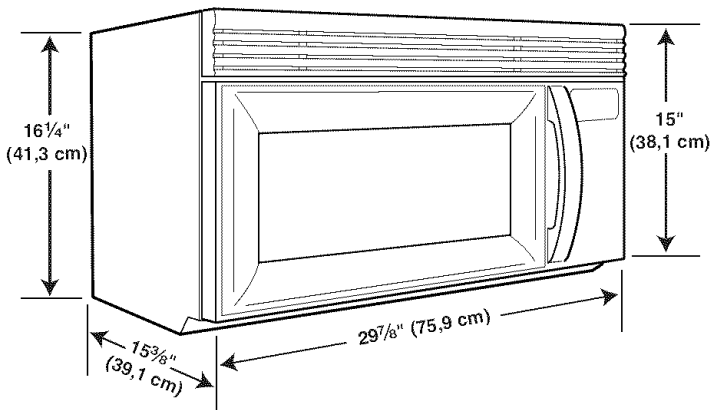
**NOTA:** El contacto de pared de conexión a tierra de 3 terminales debe estar dentro del gabinete superior. Vea la sección "Requisitos eléctricos".



A. Pie derecho de pared 2" x 4"

B. Contacto de 3 terminales con conexión a tierra

## Dimensiones del producto



## Requisitos eléctricos

### ⚠ ADVERTENCIA



#### Peligro de Choque Eléctrico

Conecte a un contacto de pared de conexión a tierra de 3 terminales.

No quite la terminal de conexión a tierra.

No use un adaptador.

No use un cable eléctrico de extensión.

No seguir estas instrucciones puede ocasionar la muerte, incendio o choque eléctrico.

Cumpla con todos los códigos y órdenes vigentes. Se requiere un suministro de 120 voltios, 60 Hz, únicamente CA de 15 ó 20 amperios con fusible (o disyuntor). (Se recomienda un fusible de acción retardada o un disyuntor.) Se recomienda que se use un circuito dedicado exclusivamente para este aparato electrodoméstico.

### INSTRUCCIONES PARA LA CONEXIÓN A TIERRA

#### ■ Para todos los aparatos electrodomésticos de conexión con cable:

El horno de microondas debe estar conectado a tierra. En caso de que se produzca un corto circuito, la conexión a tierra reduce el riesgo de electrocución por medio de un alambre de escape para la corriente eléctrica. El horno de microondas está equipado con un cable que tiene un alambre de conexión a tierra con un enchufe para conexión a tierra. El enchufe debe estar conectado a un tomacorriente que está correctamente instalado y conectado a tierra.

**ADVERTENCIA:** El uso incorrecto de la conexión a tierra puede resultar en riesgo de electrocución. Consulte con un electricista o técnico calificado si las instrucciones para conexión a tierra no se entienden bien o si hay alguna duda con respecto a la correcta conexión a tierra del horno de microondas.

No use un cable de extensión. Si el cable es muy corto, haga que un electricista o técnico calificado instale un tomacorriente cerca del horno de microondas.

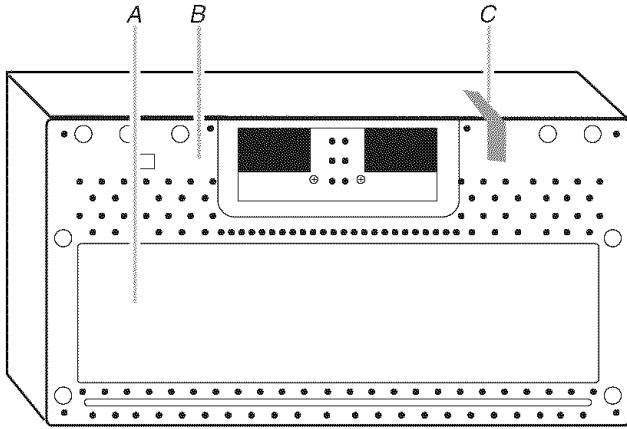
### GUARDE ESTAS INSTRUCCIONES



# INSTRUCCIONES DE INSTALACIÓN

## Retire la placa de montaje

1. Saque el contenido restante de la cavidad del horno de microondas.
2. Para sacar la placa de montaje, pele las bandas de la cinta que la sujetan a la parte posterior del horno de microondas y deje la placa de montaje a un lado.



A. Parte posterior del horno de microondas  
B. Placa de montaje  
C. Cinta (en varios lugares)

3. Coloque cinta adhesiva en la puerta del horno de microondas para que ésta no se balancee mientras se manipula el horno de microondas.

**NOTA:** No tome o use la puerta o la manija de la puerta mientras manipula el horno de microondas.

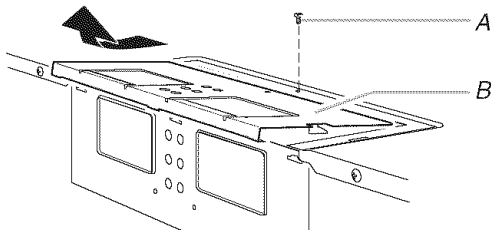
## Rote el motor del soplador

El horno de microondas ha sido fijado para la instalación sin ducto de escape (con recirculación). Para la ventilación a través de la pared o del techo, deberá modificarse el sistema de ventilación.

**NOTA:** Saltee esta sección si va a usar la instalación sin ducto de escape (con recirculación). Conserve el ensamblaje de la compuerta de tiro en caso de cambiar el método de ventilación o si va a volver a instalar el horno de microondas en otro lugar en donde pueda usar la ventilación a través de la pared o del techo.

### Solamente para la instalación con ventilación en la pared

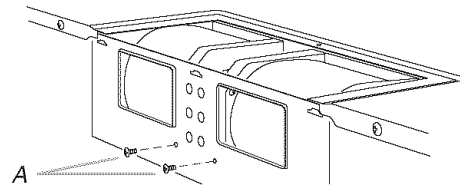
1. Saque el tornillo que sujeta la placa de la compuerta de tiro a la parte superior del exterior del horno de microondas. Deslice hacia atrás la placa de la compuerta de tiro y levántela.



A Tornillo  
B. Placa de la compuerta de tiro

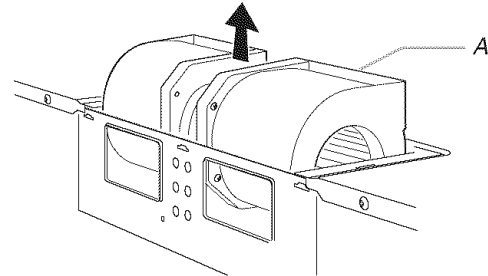
2. Mantenga juntos la placa de la compuerta de tiro y el tornillo y déjelos a un lado.

3. Saque los dos tornillos que sujetan el motor del soplador a la parte posterior del horno de microondas.



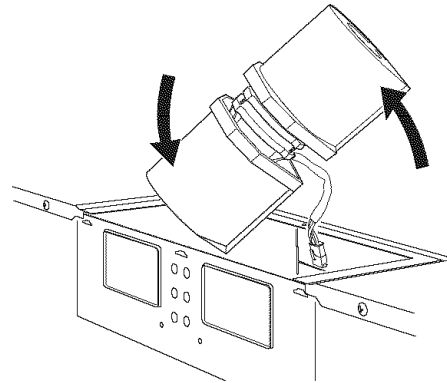
A. Tornillos

4. Levante y saque el motor del soplador del horno de microondas.

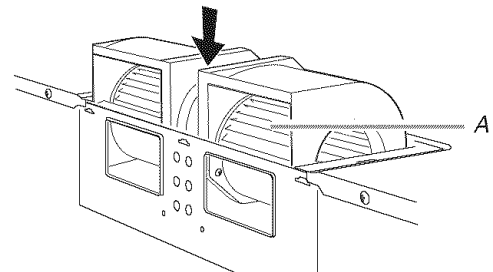


A. Motor del soplador

5. Rote el motor del soplador con un extremo sobre el otro.

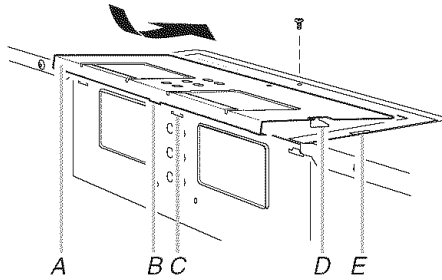


6. Rote el motor del soplador de manera que las lumbreras de escape queden mirando la parte posterior del horno de microondas y bájelo nuevamente dentro del horno de microondas.



A. Lumbrera de escape

7. Vuelva a sujetar el motor del soplador a la parte posterior del horno de microondas con los 2 tornillos que quitó en el paso 3.
8. Vuelva a sujetar la placa de la compuerta de tiro. Cerciórese de que las lengüetas en la parte superior y posterior de la placa de la compuerta estén completamente insertadas dentro de las ranuras respectivas en el horno de microondas.

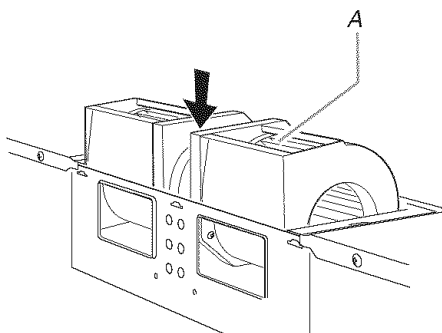


- A. Placa de la compuerta de tiro
- B. Lengüetas en la parte posterior de la placa de la compuerta de tiro
- C. Ranuras en la parte posterior del exterior del horno de microondas
- D. Lengüetas de la placa de la compuerta de tiro
- E. Ranuras en la parte superior del exterior del horno de microondas

9. Vuelva a sujetar la placa de la compuerta con el tornillo.

### Solamente para la instalación con ventilación en el techo

1. Repita el paso 1 de "Solamente para la instalación con ventilación en la pared".
2. Repita el paso 2 de "Solamente para la instalación con ventilación en la pared".
3. Repita el paso 3 de "Solamente para la instalación con ventilación en la pared".
4. Repita el paso 4 de "Solamente para la instalación con ventilación en la pared".
5. Rote el motor del soplador de manera que las lumbresas de escape queden mirando la parte superior del horno de microondas y los lados planos del motor del soplador queden mirando la parte posterior del horno de microondas. Baje el motor del soplador nuevamente dentro del horno de microondas.



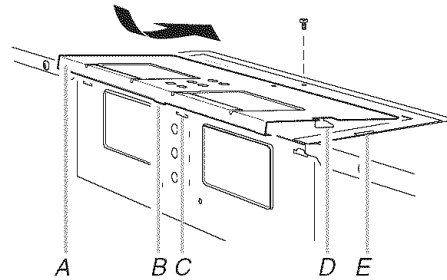
A. Lumbresa de escape

**IMPORTANTE:** Si no se coloca el motor del soplador con los lados planos mirando la parte posterior del horno de microondas (tal como se muestra), éste tendrá un rendimiento insuficiente.

6. Vuelva a sujetar el motor del soplador a la parte posterior del horno de microondas con los 2 tornillos que quitó en el paso 3 de "Solamente para la instalación con ventilación en la pared" anteriormente en esta sección. Apriete firmemente los tornillos.

**NOTA:** Si no se orienta el motor del soplador como es debido, los 2 tornillos que se quitaron en el paso 3 no podrán volver a sujetarse al horno de microondas.

7. Vuelva a sujetar la placa de la compuerta de tiro. Cerciórese de que las lengüetas en la parte superior y posterior de la placa de la compuerta de tiro estén completamente insertadas dentro de las ranuras respectivas en el horno de microondas.



- A. Placa de la compuerta de tiro
- B. Lengüetas en la parte posterior de la placa de la compuerta de tiro
- C. Ranuras en la parte posterior del exterior del horno de microondas
- D. Lengüetas de la placa de la compuerta de tiro
- E. Ranuras en la parte superior del exterior del horno de microondas

8. Sujete la placa de la compuerta de tiro con un tornillo.

## Ubique el(los) pie(s) derecho(s) de pared

**NOTA:** Si no hay pies derechos de pared dentro de la abertura del gabinete, no instale el horno de microondas.

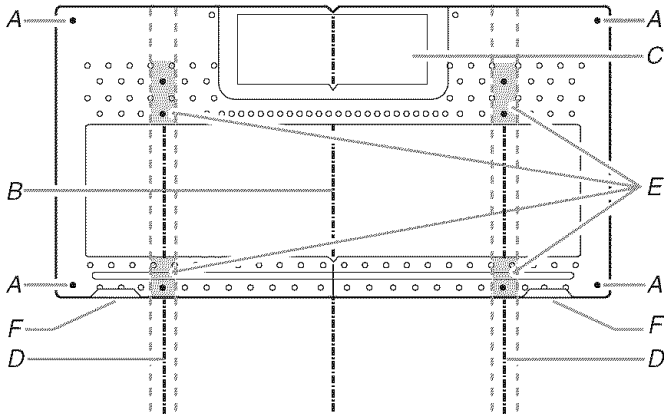
Vea las ilustraciones en "Posibles configuraciones de los pies derechos de pared".

1. Ubique los extremos del(de los) pie(s) derecho(s) de pared dentro de la abertura con un detector de pies derechos.
2. Marque el centro de cada pie derecho y trace una línea a plomo debajo del centro de cada pie derecho. Vea las ilustraciones en "Posibles configuraciones de los pies derechos de pared".

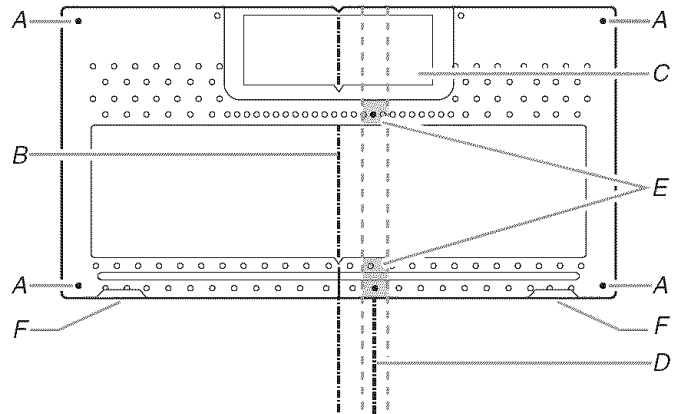
### Posibles configuraciones de los pies derechos de pared

Estas representaciones muestran ejemplos de las configuraciones de instalación preferidas con la placa de montaje.

**Sin pies derechos de pared en los orificios de esquina**  
Figura 1

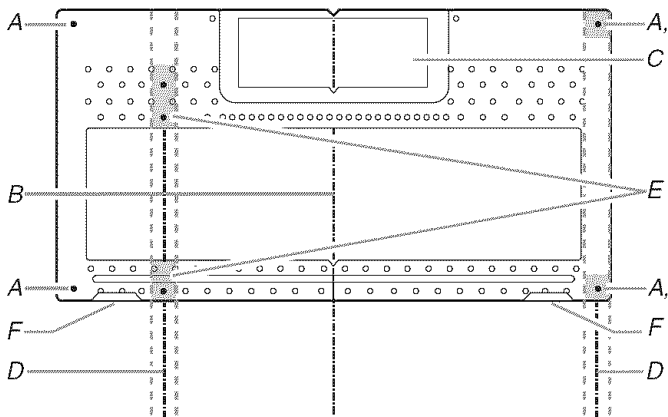


**Sin pies derechos de pared en los orificios de esquina**  
Figura 2

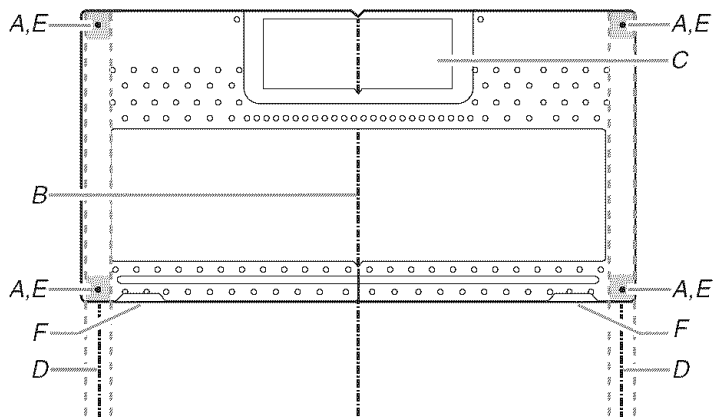


**NOTA:** Si el pie derecho de pared está detrás de la abertura del ducto de escape, solamente se podrá hacer una instalación sin ducto de escape (con recirculación) o una instalación con ventilación en el techo.

**Un pie derecho de pared en dos orificios de esquina**  
Figura 3



**Pies derechos de pared en los cuatro orificios de esquina**  
Figura 4

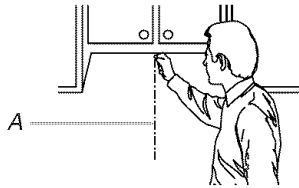


- A. Orificios de esquina (en la placa de montaje)
- B. Línea central vertical de la abertura del gabinete
- C. Abertura del ducto de escape de la pared (en la placa de montaje)
- D. Líneas centrales de los pies derechos de pared
- E. Orificios para los tirafondos
- F. Lengüetas de soporte

## Marque la pared posterior

El horno de microondas deberá instalarse como mínimo sobre 1 pie derecho de pared, preferentemente 2, usando un mínimo de 1 tirafondo, preferentemente 2 o más.

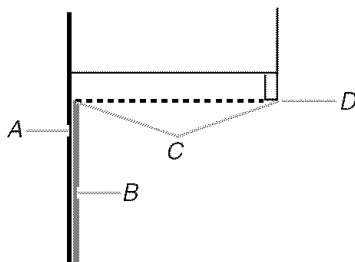
1. Con la cinta de medir, ubique y marque claramente la línea central vertical de la abertura.



A. Línea central

2. Con las lengüetas de soporte mirando hacia adelante (vea las ilustraciones en "Posibles configuraciones de los pies derechos de pared" en la sección "Ubique el(los) pie(s) derecho(s) de pared"), alinee la placa de montaje a la línea central en la pared, asegurándose de que esté nivelada y de que la parte superior de la placa de montaje esté contra el extremo inferior del gabinete superior.

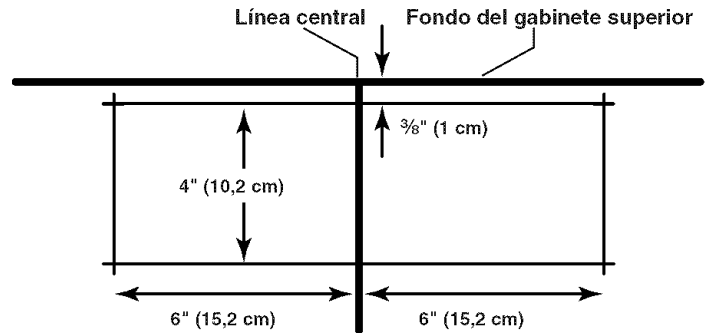
**NOTA:** Si el extremo frontal del gabinete superior está más bajo que el extremo posterior, baje la placa de montaje para que la parte superior quede nivelada con el extremo frontal del gabinete.



- A. Pared posterior  
 B. Placa de montaje  
 C. La parte superior de la placa de montaje deberá alinearse con el extremo frontal del gabinete.  
 D. Extremo frontal del gabinete superior

3. Sosteniendo la placa de montaje en su lugar, marque los 4 orificios de esquina.
4. Ubique la(s) línea(s) central(es) de los pies derechos de la pared marcadas en el paso 2 de "Ubique el(los) pie(s) derecho(s) de pared", y marque por lo menos 1, preferentemente 2 o más, orificio(s) a través de la placa de montaje, lo más cercano a la(s) línea(s) central(es). Vea las figuras 1, 2 y/o 3 en "Posibles configuraciones de los pies derechos de pared" en la sección "Ubique el(los) pie(s) derecho(s) de pared". Los orificios ennegrecidos en las áreas sombreadas son las ubicaciones ideales para los orificios.
5. Deje a un lado la placa de montaje.

## Solamente para la instalación con ventilación en la pared



6. Marque la línea central de 3/8" (1 cm) hacia abajo desde el extremo inferior del gabinete superior.
7. Usando una cinta de medir, mida hacia afuera 6" (15,2 cm) a ambos lados de la línea central y marque.
8. Mida hacia abajo 4" (10,2 cm) desde la marca que hizo en el paso 6 y marque.
9. Trace con una regla 2 líneas niveladas horizontales a través de las marcas que hizo en los pasos 6 y 8.
10. Trace las 2 líneas verticales a plomo hacia abajo desde las marcas hechas en el paso 7 hasta completar el rectángulo de 12" x 4" (30,5 x 10,2 cm). Ésta es el área de recorte de la ventilación.
11. Corte un orificio de 3/4" (19 mm) en una esquina del área de corte.
12. Corte el área de corte de la ventilación con una sierra caladora.

## Taladrar orificios en la pared posterior

Además de instalar la placa de montaje en al menos 1 pie derecho de pared, la placa debe sujetarse a la pared en los 4 orificios de esquina. Si los orificios no están sobre los pies derechos de pared, use cuatro pernos de 1/4-20 x 3" con tuercas de ajuste; si 2 orificios están sobre los pies derechos de pared, use 2 tirafondos por cada uno y pernos de 1/4-20 x 3" con tuercas de ajuste; o si los 4 orificios se encuentran sobre los pies derechos de pared, use 4 tirafondos. A continuación se incluyen 3 configuraciones de instalación.

### Instalación sin pies derechos de pared en los orificios de esquina (figuras 1 & 2)

1. Taladre orificios de 3/4" (19 mm) a través de la pared en los 4 orificios de esquina que se marcaron en el paso 3 de "Marcar la pared posterior".
2. Taladre orificio(s) de 3/16" (5 mm) en el(los) pie(s) derecho(s) de pared en los orificio(s) que se marcaron en el paso 4 de "Marcar la pared posterior". Vea las figuras 1 y 2 en "Posibles configuraciones de los pies derechos de pared" en la sección "Ubique el(los) pie(s) derecho(s) de pared".

### Instalación para un pie derecho de pared en dos orificios de esquina (figura 3)

1. Taladre orificios de 3/16" (5 mm) a través del pie derecho de pared en los 2 orificios de esquina que se marcaron en el paso 3 de "Marcar la pared posterior".
2. Si instala sobre un segundo pie derecho de pared, taladre orificio(s) de 3/16" (5 mm) en el pie derecho de pared en los orificios que se marcaron en el paso 4 de "Marcar la pared posterior". Vea la figura 3 en "Posibles configuraciones de los pies derechos de pared" en la sección "Ubique el(los) pie(s) derecho(s) de pared".
3. Taladre orificios de 3/4" (19 mm) a través de la pared en los otros 2 orificios de esquina.

### Instalación para pies derechos de pared en los cuatro orificios de esquina (figura 4)

1. Taladre orificios de 3/16" (5 mm) en los pies derechos de pared en los 4 orificios de esquina que se marcaron en el paso 3 de "Marcar la pared posterior".

### Ajuste la placa de montaje a la pared

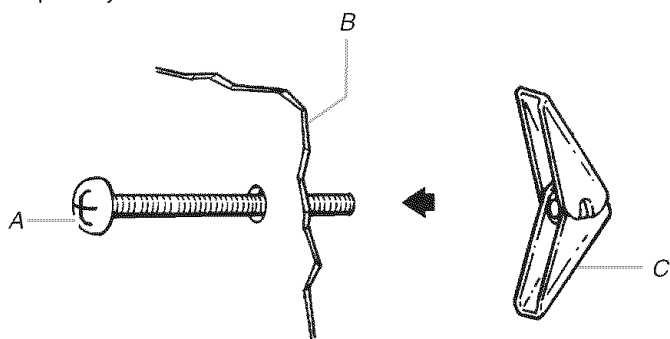
**NOTA:** Asegure la placa de montaje a la pared en los 4 orificios de esquina que se perforaron en los pies derechos de pared y/o en el panel de yeso utilizando pernos de 1/4-20 x 3" y tuercas de ajuste o tirafondos de 1/4 x 2".

Vea las ilustraciones en "Posibles configuraciones de los pies derechos de pared" en la sección "Ubique el(los) pie(s) derecho(s) de pared".

### Sin pies derechos de pared en los orificios de esquina (figuras 1 y 2)

**NOTA:** La placa de montaje también se debe asegurar a la pared en por lo menos 1 pie derecho de pared como así también en las 4 esquinas.

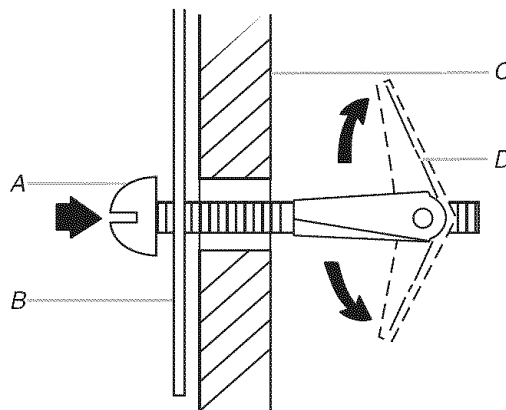
1. Con las lengüetas de soporte de la placa de montaje mirando hacia adelante, inserte pernos de 1/4-20 x 3" a través de todos los orificios de esquina de la placa de montaje.
2. Coloque las tuercas de ajuste en los pernos comenzando por la parte posterior de la placa de montaje. Deje suficiente espacio para que las tuercas de ajuste puedan ingresar a la pared y abrirse.



A. Perno de 1/4-20 x 3"  
B. Placa de montaje  
C. Tuerca de ajuste con resorte

3. Posicione la placa de montaje en la pared, asegurándose de que la parte superior de la placa de montaje esté alineada con el borde frontal del gabinete superior.

4. Empuje los 4 pernos con las tuercas de ajuste a través del panel de yeso y apriete los pernos con los dedos para asegurarse que las tuercas de ajuste se hayan abierto contra el panel de yeso.



A. Perno de 1/4-20 x 3"  
B. Placa de montaje  
C. Panel de yeso  
D. Tuerca de ajuste con resorte

5. Inserte el(los) tirafondos en los orificios taladrados en el(los) pie(s) derecho(s) de pared en el paso 2 de "Instalación sin pies derechos de pared en los orificios de esquina" en la sección "Taladrar orificios en la pared posterior".
6. Controle la alineación de la placa de montaje, asegurándose de que esté nivelada.
7. Ajuste bien todos los tirafondos y pernos.

### Un pie derecho de pared en dos orificios de esquina (figura 3)

1. Con las lengüetas de soporte de la placa de montaje mirando hacia adelante, inserte pernos de 1/4-20 x 3" a través de los 2 orificios de esquina que se encuentran sobre los dos orificios de 3/4" (19 mm) taladrados en el paso 2 de "Instalación para un pie derecho de pared en dos orificios de esquina" en la sección "Taladre los orificios en la pared posterior".
2. Coloque las tuercas de ajuste en los pernos comenzando por la parte posterior de la placa de montaje. Deje suficiente espacio para que la tuerca de ajuste pueda ingresar a la pared y abrirse.
3. Posicione la placa de montaje en la pared, asegurándose de que la parte superior de la placa de montaje esté alineada con el borde frontal del gabinete superior.
4. Empuje los 2 pernos con las tuercas de ajuste a través del panel de yeso y apriete los pernos con los dedos para asegurarse de que las tuercas de ajuste se han abierto contra el panel de yeso.
5. Inserte 2 tirafondos en los 2 orificios de esquina restantes.
6. Si se hace la instalación en un segundo pie derecho de pared, inserte el(los) tirafondos en el(los) otro(s) orificio(s) taladrado(s) en el paso 2 de "Instalación para un pie derecho de pared en dos orificios de esquina" en la sección "Taladrar orificios en la pared posterior".
7. Controle la alineación de la placa de montaje, asegurándose de que esté nivelada.
8. Ajuste bien todos los tirafondos y pernos.

## Pies derechos de pared en los cuatro orificios de esquina (figura 4)

1. Posicione la placa de montaje en la pared, asegurándose de que la parte superior de la placa de montaje esté alineada con el borde frontal del gabinete superior.
2. Inserte los tirafondos en los 4 orificios de esquina.
3. Controle la alineación de la placa de montaje, asegurándose de que esté nivelada.
4. Ajuste firmemente todos los tirafondos.

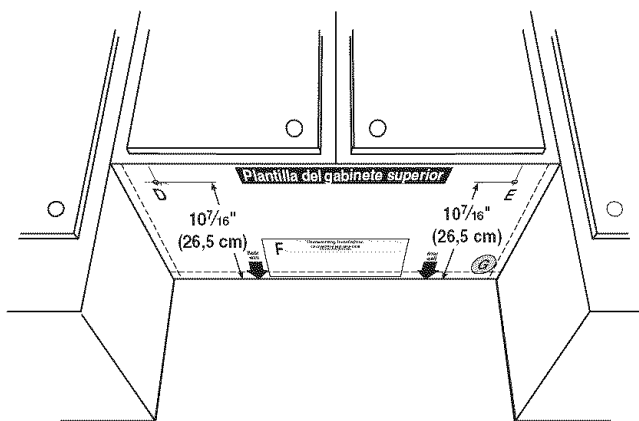
## Preparación del gabinete superior

1. Desconecte la energía que alimenta el contacto de pared.
2. Saque el contenido del gabinete superior.
3. Coloque la plantilla del gabinete superior contra la base del gabinete superior. Asegúrese de que la línea central de la plantilla quede alineada con la línea central vertical en la pared posterior.

Las flechas que indican "pared posterior" deberán estar contra la pared posterior para que los orificios que se cortaron en el gabinete superior queden alineados con los orificios que están en la parte superior del horno de microondas.

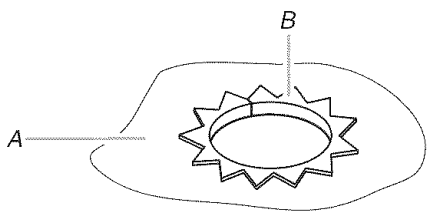
**NOTA:** Si el gabinete superior tiene un marco alrededor, recorte los extremos de la plantilla para que encaje dentro del marco, contra la base del gabinete superior. La plantilla tiene líneas de recorte para usarlas como guías.

4. Asegúrese de mantener la medida de  $10\frac{7}{16}$ " (26,5 cm) desde la pared posterior a los puntos "D" y "E" en la plantilla.



5. Corte un orificio de  $1\frac{1}{2}$ " (3,8 cm) de diámetro en el área sombreada circular "G" en la plantilla. Este orificio será para el cable de suministro de energía.

**NOTA:** Si el gabinete superior es de metal, el forro de cable de suministro necesitará ser instalado alrededor del orificio del cable de suministro, como se muestra.



A. Gabinete de metal  
B. Forro del cable de suministro de energía

6. Taladre orificios de  $\frac{3}{8}$ " (10 mm) en los puntos "D" y "E" de la plantilla. Estos son para los dos pernos de cabeza redonda de  $\frac{1}{4}$ -20 x 3" y las arandelas usadas para asegurar el horno de microondas al gabinete superior.

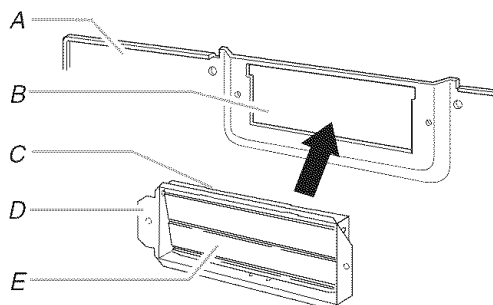
## Solamente para la instalación con ventilación en el techo

7. Corte un orificio de  $\frac{3}{4}$ " (19 mm) en una esquina del área "F" rectangular sombreada en la plantilla superior del gabinete.
8. Corte el área rectangular con una sierra caladora.

## Instale el ensamblaje de la compuerta de tiro

(solamente para la ventilación a través de la pared)

1. Verifique que la hoja de la compuerta de tiro se mueva libremente y que se abra completamente hacia la pared.
2. Empuje el ensamblaje de la compuerta de tiro a través de la abertura de la placa de montaje de manera que las lengüetas del ensamblaje de la compuerta de tiro bloqueen el mismo contra la placa de montaje. La lengüeta larga del ensamblaje de la compuerta de tiro deberá estar a la izquierda de la placa de montaje.



A. Placa de montaje  
B. Abertura de la placa de montaje  
C. Ensamblaje de la compuerta de tiro  
D. Lengüeta larga  
E. Hoja de la compuerta de tiro

## Instalación del horno de microondas

### ⚠ ADVERTENCIA

#### Peligro de Peso Excesivo

Use dos o más personas para mover e instalar el horno de microondas.

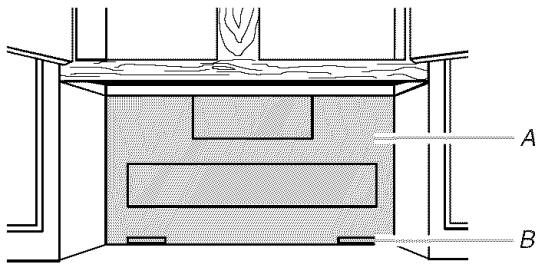
No seguir esta instrucción puede ocasionar una lesión en la espalda u otro tipo de lesiones.

**IMPORTANTE:** El lado de los controles de la unidad es el lado pesado. Manipule el horno de microondas con cuidado.

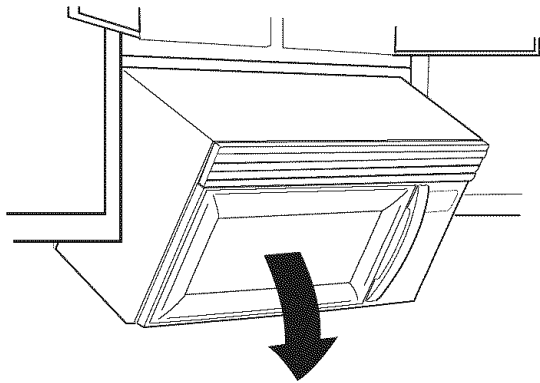
1. Coloque una arandela en cada perno de  $\frac{1}{4}$ -20 x 3" y ubíquelos dentro del gabinete superior cerca de los orificios de  $\frac{3}{8}$ " (10 mm).
2. Asegúrese de que el horno de microondas esté cerrado y trabado con cinta adhesiva.

- Con la ayuda de 2 o más personas, levante el horno de microondas y cuélguelo de las lengüetas de soporte en la parte inferior de la placa de montaje.

**NOTA:** No tome o use la puerta o la manija de la puerta durante la instalación.



A. Placa de montaje  
B. Lengüetas de soporte

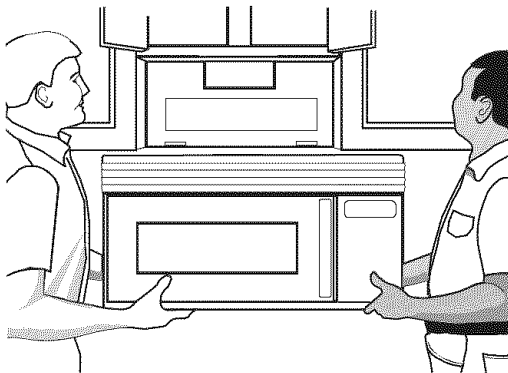


- Con el frente del horno de microondas todavía inclinado, pase el cable de suministro eléctrico a través del orificio del cable de suministro eléctrico en el fondo del gabinete superior.

- Rote el horno de microondas para arriba hacia el gabinete superior. Empuje el horno de microondas contra la placa de montaje y sosténgalo en su lugar.

**NOTA:** Si no se necesita ajustar el horno de microondas, saltee los pasos 6-8.

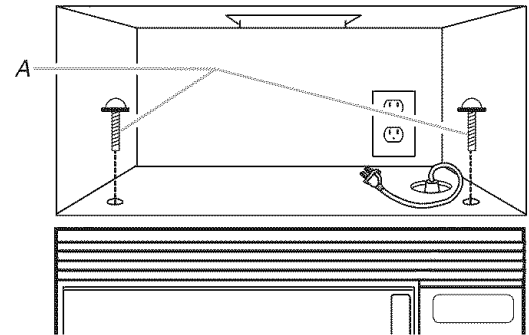
- Si es necesario ajustarlo, rótelo hacia abajo. Con la ayuda de 2 o más personas, levante el horno de microondas fuera de la placa de montaje y déjelo a un costado sobre una superficie protegida.



- Afloje los tornillos de la placa de montaje. Ajuste la placa de montaje y vuelva a ajustar los tornillos.
- Repita los pasos 3-5.
- Con el horno de microondas centrado, y al menos una persona sosteniéndolo en su lugar, inserte los pernos a través del gabinete superior y dentro del horno de microondas. Ajuste los pernos hasta que no exista ningún espacio entre el gabinete superior y el horno de microondas.

#### NOTAS:

- Algunos gabinetes superiores pueden necesitar pernos más largos o más cortos que 3" (7,6 cm). Los pernos más largos o más cortos están disponibles en la mayoría de las ferreterías.
- El apretar los pernos en exceso puede deformar la parte superior del horno de microondas. Para evitar que se deforme, pueden agregarse bloques de madera de relleno. Los bloques deben tener el mismo espesor que el espacio entre la base del gabinete superior y el horno de microondas.

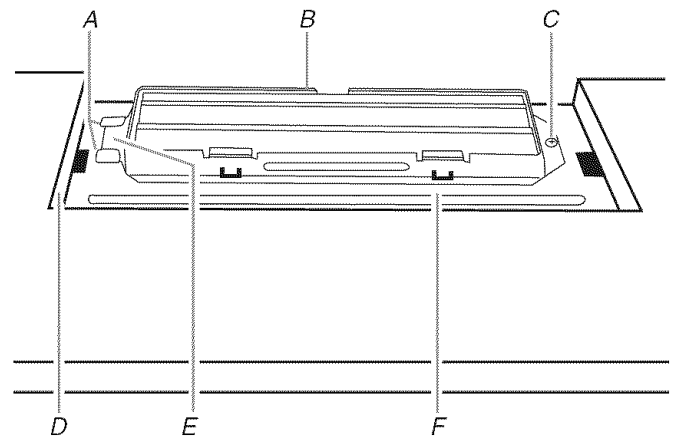


A. Pernos

#### Solamente para la instalación con ventilación en el techo

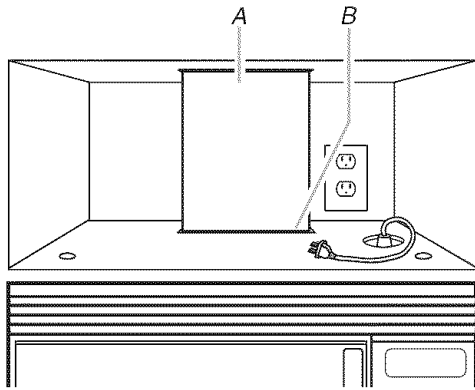
- Inserte el ensamblaje de la compuerta de tiro a través del recorte del gabinete de manera que la lengüeta larga del ensamblaje de la compuerta de tiro se deslice debajo de las lengüetas con relieve de la placa de la compuerta. Después asegúrelo con un tornillo para lámina metálica.

**NOTA:** El tornillo no podrá instalarse si no se coloca el ensamblaje de la compuerta de tiro como se muestra.



A. Lengüetas con relieve  
B. Ensamblaje de la compuerta de tiro  
C. Tornillo para lámina metálica  
D. Recorte del gabinete superior  
E Lengüeta larga  
F Placa de la compuerta de tiro

- Conecte el ducto de escape al ensamblaje de la compuerta de tiro.



A. Ducto de escape  
B. Ensamblaje de la compuerta de tiro  
(debajo del ducto de escape)

## Complete la instalación

- Vea el Manual de uso y cuidado para obtener las instrucciones sobre cómo instalar filtros en su modelo.

## ⚠ ADVERTENCIA



### Peligro de Choque Eléctrico

Conecte a un contacto de pared de conexión a tierra de 3 terminales.

No quite la terminal de conexión a tierra.

No use un adaptador.

No use un cable eléctrico de extensión.

No seguir estas instrucciones puede ocasionar la muerte, incendio o choque eléctrico.

- Enchufe el horno microondas en un contacto de pared de conexión a tierra de 3 terminales.
- Reconecte el suministro de energía.
- Verifique la operación del horno microondas colocando 1 taza (250 mL) de agua en la bandeja giratoria y programe un tiempo de cocción de 1 minuto al 100% de potencia. Controle el ventilador presionando el botón del ventilador.
- Si el horno microondas no funciona:
  - Verifique que no se haya fundido un fusible de la casa ni disparado un cortacircuitos. Reemplace el fusible o reposicione el cortacircuitos. Si el problema continúa, llame a un electricista.
  - Verifique que el cable del suministro de energía esté enchufado en un contacto de pared de conexión a tierra de 3 terminales.
  - Vea el Manual de uso y cuidado para obtener la información de solución de problemas.

Se ha completado la instalación.

Conserve las Instrucciones de instalación para uso futuro.

**8205141**

© 2005.  
All rights reserved.  
Todos los derechos reservados.

## ASISTENCIA

Llame a su distribuidor autorizado o centro de servicio. Cuando llame, usted necesitará tener a mano el número del modelo y de la serie del horno de microondas. Se pueden encontrar ambos números en la placa con el número de modelo y de serie, que se encuentra detrás de en la puerta del horno de microondas en el frente del marco del horno.

Si necesita asistencia adicional, llámenos a nuestro número gratuito que se indica en el Manual de uso y cuidado o visite nuestro sitio web.

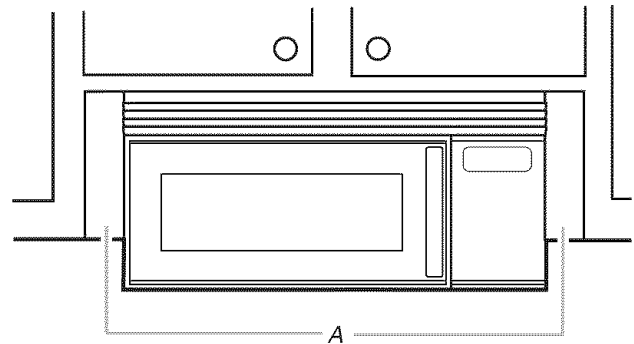
## Refacciones

Si necesita reemplazar alguna pieza de ferretería de la instalación, llámenos al número gratis que aparece en el Manual de uso y cuidado y tome como referencia el número de pieza apropiado que se enlista aquí.

|                                    |                                                                                                         |
|------------------------------------|---------------------------------------------------------------------------------------------------------|
| Ensamblaje de la compuerta de tiro | Juego de tornillos de montaje (incluye las piezas A-F mencionadas en la sección "Piezas suministradas") |
| Pieza número 8205558               | Pieza número 8205948                                                                                    |
| Placa de montaje                   |                                                                                                         |
| Pieza número 8205400               |                                                                                                         |
| Plantilla del gabinete superior    |                                                                                                         |
| Pieza número 8205924               |                                                                                                         |

## Accesorios

Los juegos de paneles de relleno están disponibles en su distribuidor, para ser usados cuando este horno de microondas se instale en una abertura de 36" (91,4 cm) ó 42" (106,7 cm) de ancho. Los paneles de relleno vienen en pares. Cada panel tiene un ancho de 3" (7,6 cm).



A. Paneles de relleno

|                                      |         |                  |
|--------------------------------------|---------|------------------|
| Número del juego de panel de relleno | 8171336 | Blanco           |
|                                      | 8171337 | Negro            |
|                                      | 8171338 | Biscuit          |
|                                      | 8171339 | Acero inoxidable |
|                                      | 99403   | Almendra         |

Vea a su distribuidor autorizado o centro de servicio para obtener detalles.