

# MAYTAG® Front-Loading Electric Dryer

## PRODUCT MODEL NUMBERS

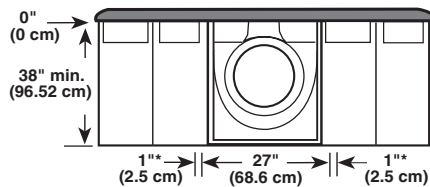
MED9600S  
MED9700S

**Electrical:** This dryer requires a 3 or 4 wire, single phase, 120/240 volt, 60 Hz., AC only electrical supply (or 3 or 4 wire, 120/208 volt electrical supply, if specified on the serial/rating plate) on a separate 30-amp circuit, fused on both sides of the line. A time-delay fuse or circuit breaker is recommended. Connect to an individual branch circuit. Do not have a fuse in the neutral or grounding circuit.

**Exhaust venting:** Exhaust your dryer to the outside. 4" (10.2 cm) heavy metal exhaust vent and clamps must be used. Exhaust outlet hood must be at least 12" (30.5 cm) from the ground or any object that may be in the path of the exhaust.

## UNDERCOUNTER INSTALLATION

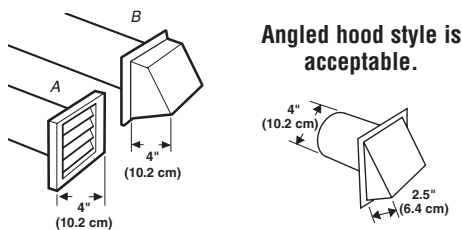
Dimensions shown are for minimum spacing.



\*Required spacing

## EXHAUST VENTING

### Recommended hood styles

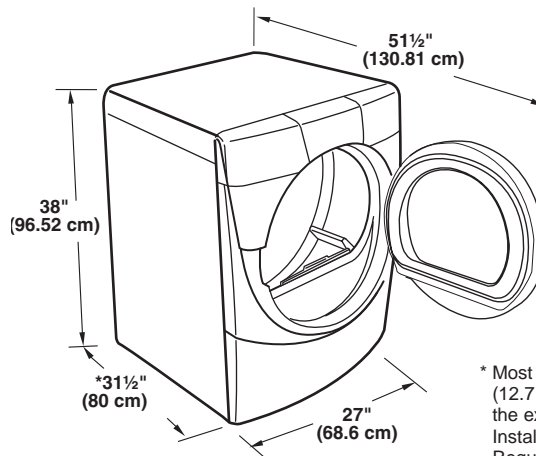


A. Louvered hood style  
B. Box hood style

Number of 90° turns or elbows	Type of vent	Box or Louvered hoods	Angled hoods
0	Rigid metal Flexible metal	64 ft (20 m) 36 ft (11 m)	58 ft (17.7 m) 28 ft (8.5 m)
1	Rigid metal Flexible metal	54 ft (16.5 m) 31 ft (9.4 m)	48 ft (14.6 m) 23 ft (7 m)
2	Rigid metal Flexible metal	44 ft (13.4 m) 27 ft (8.2 m)	38 ft (11.6 m) 19 ft (5.8 m)
3	Rigid metal Flexible metal	35 ft (10.7 m) 25 ft (7.6 m)	29 ft (8.8 m) 17 ft (5.2 m)
4	Rigid metal Flexible metal	27 ft (8.2 m) 23 ft (7 m)	21 ft (6.4 m) 15 ft (4.6 m)

**NOTE:** Side and bottom exhaust installations have a 90° turn inside the dryer. To determine maximum exhaust length, add one 90° turn to the chart.

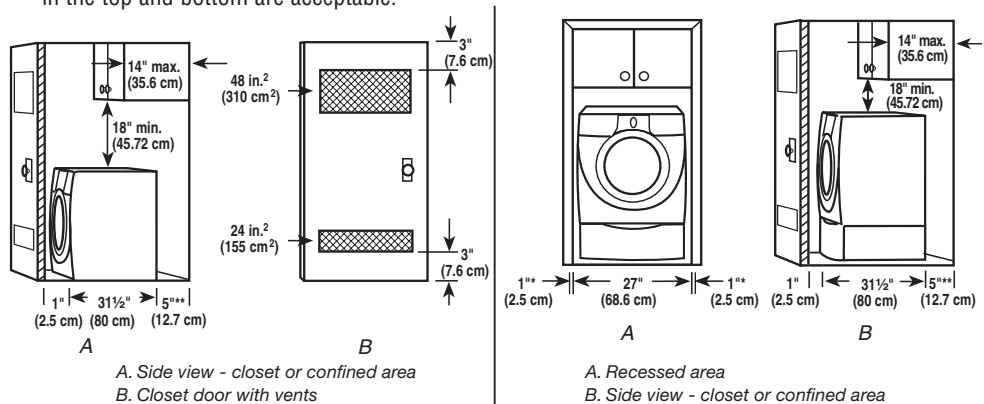
## OVERALL DIMENSIONS



\* Most installations require a minimum 5" (12.7 cm) clearance behind the dryer for the exhaust vent with elbow. See Installations Instructions, "Venting Requirements."

## RECESSED AREA AND CLOSET INSTALLATION

For closet installation, with a door, the minimum ventilation openings in the top and bottom of the door are required. Louvered doors with equivalent air ventilation openings in the top and bottom are acceptable.



A. Side view - closet or confined area  
B. Closet door with vents

A. Recessed area  
B. Side view - closet or confined area

\*Side or bottom venting - additional spacing recommended  
\*\*Side or bottom venting - 0" (0 cm) spacing is allowed

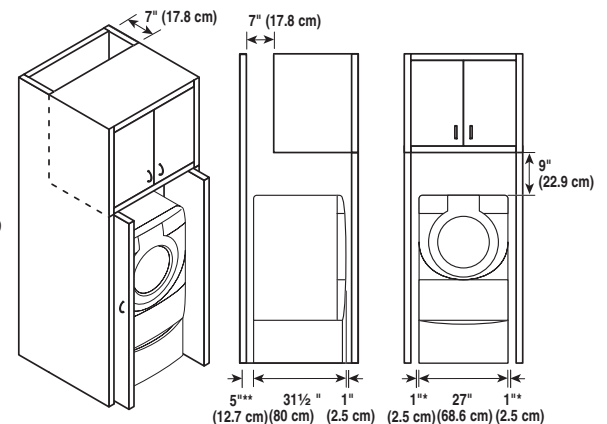
\*Required spacing  
\*\*Side or bottom venting - 0" (0 cm) spacing is allowed

### Dryer only

### Dryer on pedestal

## Minimum installation spacing for cabinet installation

For cabinet installation, with a door, the minimum ventilation openings in the top are required.



Select the route that will provide the straightest and most direct path outdoors. Plan the installation to use the fewest number of elbows and turns. Use the fewest 90° turns possible.

Do not use vent runs longer than specified in vent length chart.

Determine the number of elbows you will need.