



ENGLISH

ESPAÑOL

FRANÇAIS

# OWNER'S MANUAL DISHWASHER

Please read this manual carefully before operating your dishwasher. Retain it for future reference.

LSDF995ST

# INTRODUCTION

## IMPORTANT SAFETY INSTRUCTIONS

Basic Safety Precautions .....	3, 4
Electrical Safety .....	4
Before Using the Dishwasher .....	5

## PARTS AND FEATURES

Features .....	6
Parts .....	7
Control Panel .....	8, 9

## OPERATING INSTRUCTIONS

Quick Start .....	10
Selecting a Cycle .....	11
Loading the Lower Rack .....	13
Loading for Steam .....	13
Loading the Upper Rack .....	14
Loading the Silverware Basket .....	14
Height-Adjustable Upper Rack .....	15
Removing the Upper Rack .....	15
Loading the Cutlery Rack .....	16
Height Adjustable Tray .....	16
Adding Detergent to the Dispenser .....	17
Adding Rinse Aid to the Dispenser .....	18

## CARE AND CLEANING

Cleaning Metallic Parts .....	19
Cleaning the Lower Spray Arm .....	19
Cleaning the Upper Spray Arm .....	19
Cleaning the Top Spray Arm .....	20
Seasonal Maintenance and Storage .....	20

## TROUBLESHOOTING

Before Calling for Service .....	21, 22
----------------------------------	--------

## SPECIFICATIONS

Specifications .....	23
----------------------	----

## WARRANTY

Product Registration Information .....	24, 25
----------------------------------------	--------

## THANK YOU!

Congratulations on your purchase

and welcome to the LG family.

Your new LG Dishwasher combines

quiet, efficient operation with

advanced cleaning technology.

By following the operating and care

instructions in this manual, your

dishwasher will provide you with

many years of reliable service.

# IMPORTANT SAFETY INSTRUCTIONS

## READ ALL INSTRUCTIONS BEFORE USE

### Your safety and the safety of others is very important.

We have provided many important safety messages in this manual and on your appliance. Always read and follow all safety messages.



This is the safety alert symbol.

This symbol alerts you to potential hazards that could eventually result in property damage or serious bodily harm, even death.

The safety alert symbol will be followed by either the word "WARNING" or "CAUTION," then an important safety message. These words mean:

#### **WARNING**

This symbol indicates the possibility of serious bodily harm, even death.

#### **CAUTION**

This symbol indicates the possibility of injury or damage to property.

## BASIC SAFETY PRECAUTIONS




**WARNING** To reduce the risk of fire, electric shock, or injury to persons when using this appliance, follow basic precautions, including the following:

- This manual contains very important information regarding the installation, use, and maintenance of your dishwasher.
- The manufacturer cannot be responsible for injuries or damage caused by failure to follow these safety and caution instructions.
- Read all instructions carefully before using the dishwasher.
- Use the dishwasher only for its intended function.
- Use only detergents or rinse agents recommended for use in a dishwasher. Keep all dishwasher detergents and additives out of the reach of children.
- This appliance is not intended for use by young children or unqualified persons.
- When loading items to be washed:
  - 1) Load sharp items so that they are not likely to damage the door seal; and
  - 2) Load sharp knives with the handles up to reduce the risk of injury when reaching into the dishwasher.
- Do not wash plastic items in the dishwasher unless they are labeled dishwasher-safe or the equivalent. For plastic items not so labeled, check the manufacturer's recommendations.
- Do not operate the dishwasher unless all enclosure panels are properly in place.
- Do not tamper with controls.
- Do not abuse, sit on, or stand on the door or dish racks of the dishwasher.
- To reduce the risk of injury, do not allow children to play in or around a dishwasher.
- Under certain conditions, hydrogen gas may be produced in a hot water system that has not been used for two weeks or more. **HYDROGEN GAS IS EXPLOSIVE.** If the hot water system has not been used for such a period of time, turn on all hot water faucets and let the water flow for several minutes. This will release any accumulated hydrogen gas. Since hydrogen gas is flammable, do not smoke or use an open flame during this time.
- Remove the door to the wash compartment when disposing of an old dishwasher.

# IMPORTANT SAFETY INSTRUCTIONS

## READ ALL INSTRUCTIONS BEFORE USE

### BASIC SAFETY PRECAUTIONS

 **WARNING** To reduce the risk of fire, electric shock, or injury to persons when using this appliance, follow basic precautions, including the following:

#### For a permanently connected dishwasher:

This appliance must be connected to a grounded metal, permanent wiring system or an equipment-grounding conductor must be run with the circuit conductors and connected to the equipment-grounding terminal or lead on the appliance. Consult with a qualified electrician.

#### Tip Hazard

Do not put excessive downward force on the open dishwasher door prior to installation, as this could cause damage to the unit or cause it to tip over. Do not use the dishwasher before installation has been completed in accordance with the Installation Instructions.

### ELECTRICAL SAFETY

#### **WARNING**

##### Electrical Shock Hazard

Failure to follow these instructions can result in death, fire, or electrical shock.

- The dishwasher **MUST** be grounded. Connect the ground wire to the green ground connector in the terminal box.
- Do not use an extension cord with this appliance.
- The dishwasher is designed to be used with standard household current (120 Volts AC, 60 Hz.). Before connecting the dishwasher, ensure that the outlet or cable is properly grounded and polarized by circuit breakers or fuses. Failure to provide adequate grounding of this appliance may cause electrical shock or malfunction of the appliance. Consult with a qualified electrician.
- Do not install or store the dishwasher where it will be exposed to weather conditions. Failure to observe this precaution may result in electrical shock, fire, malfunction, and/or deformation of the dishwasher.
- Do not damage or place heavy items on the power cord of the appliance. Do not use the dishwasher if it has a damaged power cord. Power cord damage may cause fire and electrical shock. Consult with a qualified electrician.
- Do not grasp the power cord or touch the dishwasher controls with wet hands. Do not use the dishwasher if it has a damaged power cord or plug, and do not plug the dishwasher into a damaged outlet. Failure to observe these instructions may result in electrical shock.
- Disassembly or repair must be performed by experienced service persons. Improper disassembly or repair could lead to product failure or electrical shock.

# IMPORTANT SAFETY INSTRUCTIONS

## READ ALL INSTRUCTIONS BEFORE USE

### BEFORE USING THE DISHWASHER

Before using the dishwasher, please read the Important Safety Instructions.

Water supply temperature should be a minimum of 120°F (49°C) for better washing and reasonable cycle time.

For this reason, use the hot water supply only. It is also important that the dishwasher is loaded according to instructions for effective cleaning. When loading the dishwasher, make sure that insoluble items such as bones, toothpicks, and pieces of paper have been removed.

When loading the dishwasher, observe the following general guidelines:

1. Place items with deep dish bottoms at an angle to help water run off and speed the drying process.
2. Remove solid, burned-on scraps from dishes prior to loading in the dishwasher.
3. Only load items that are dishwasher-safe.

**NOTE:** Do not load utensils that are not heat-resistant, have decorative metal trim, etc.

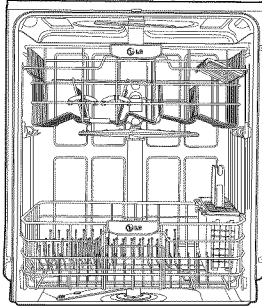
## SAVE THESE INSTRUCTIONS

# PARTS AND FEATURES

## FEATURES

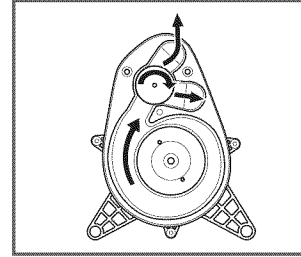
### LARGE CAPACITY

LG dishwashers allow you to load very large items in both the upper and lower racks. The tall tub provides extra overall capacity and the clearance to accommodate large dishes. Extra large items (max. 14 in.) may be loaded in the lower rack by raising the upper rack.



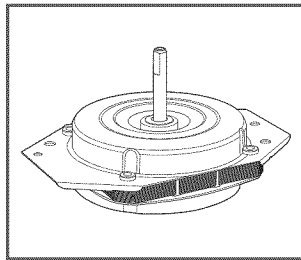
### VARIO SPRAY SYSTEM

Because the water spray alternates between the upper and lower racks, all of the power from the motor is directed to one rack at a time. This concentrates all the cleaning power of the motor on each rack in turn.



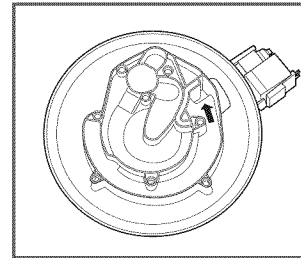
### SLIM DIRECT MOTOR™

The new Slim Direct Motor™ is inverter-controlled. Wash power is controlled based on cycle selection. It also offers high energy efficiency to minimize energy use.



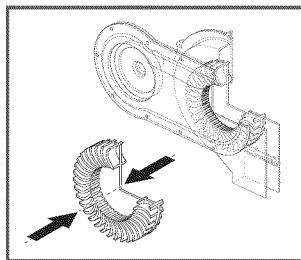
### SOFT FOOD GRINDER AND SELF-CLEANING FILTER

For best wash results, your LG dishwasher has a built-in soft food grinder and a self-cleaning filter. The grinder grinds up soft food and residue into small particles that can be caught in the filter and washed down the drain. The self-cleaning filter system continuously cleans the wash water as it circulates to separate any residue from the wash water. All dirt and residue is easily washed down the drain.



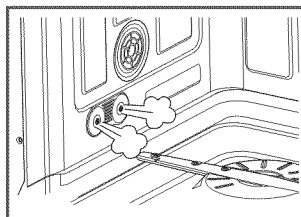
### HYBRID DRYING SYSTEM

This system effectively dries dishes without the use of a heating element that would increase energy consumption.



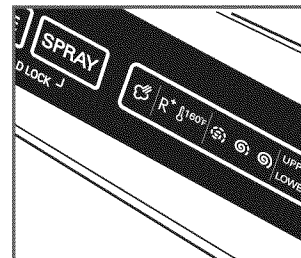
### STEAM WASHING

Steam technology provides better cleaning performance than regular wash systems. Steam is the most energy efficient gentle care for your finest china and stemware.

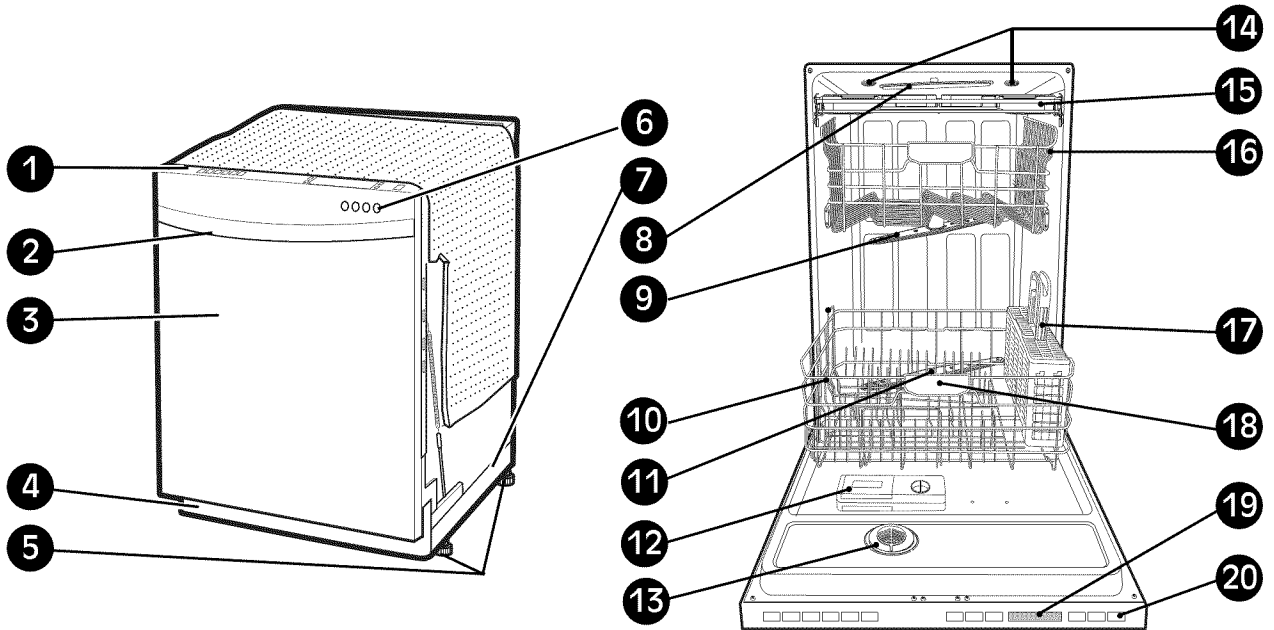


### LIGHT TOUCH BUTTONS AND BLUE LCD

The light touch buttons on the control panel make selections easy and convenient, while the blue LCD display clearly displays the selected cycle and options.



## PARTS



- 1 **CONTROL PANEL**
- 2 **DOOR HANDLE**
- 3 **FRONT COVER**
- 4 **LOWER COVER**
- 5 **LEVELING FEET**
- 6 **FRONT DISPLAY (Signalight™)**

Front Display

Process Indicator (Signalight™)

○ WASH    ○ RINSE    ○ DRY    ○ CLEAN

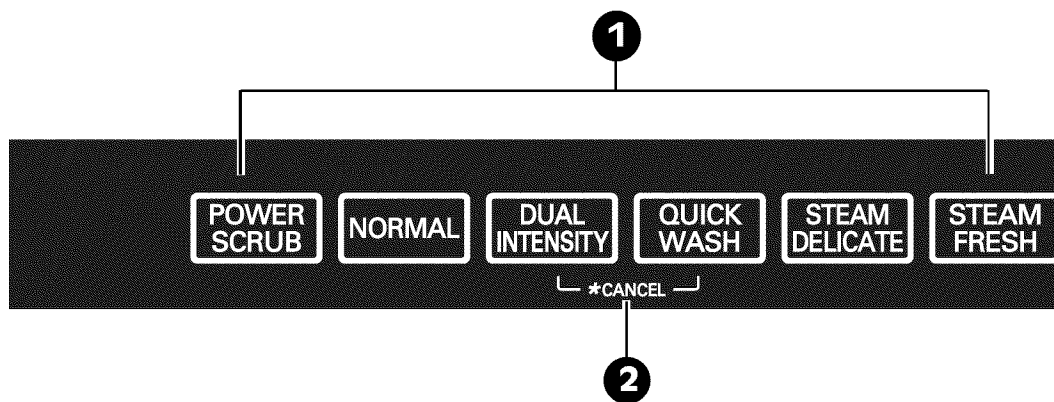
The **WASH**, **RINSE** and **DRY** lamps twinkle while each phase of washing process. The **CLEAN** lamp turns on after all procedure is ended for 4 minutes.

- 7 **BASE**

- 8 **TOP SPRAY ARM**
- 9 **UPPER SPRAY ARM**
- 10 **STEAM NOZZLE**
- 11 **LOWER SPRAY ARM**
- 12 **DETERGENT AND RINSE AID DISPENSER**
- 13 **DRYING VENT COVER**
- 14 **TUB LAMP (Illumitub™)**
- 15 **CUTLERY RACK**
- 16 **UPPER RACK**
- 17 **SILVERWARE BASKET**
- 18 **LOWER RACK**
- 19 **TOP DISPLAY**
- 20 **POWER BUTTON**

# PARTS AND FEATURES

## CONTROL PANEL



### 1 CYCLES

Press the cycle that corresponds to your desired wash cycle.

#### **POWER SCRUB**

This cycle is for very heavily soiled dishes.

#### **NORMAL**

This cycle is for normally soiled, everyday loads.

#### **DUAL INTENSITY**

This cycle washes the upper and lower racks at different spray intensities. The default setting for this cycle washes the lower rack with strong spray intensity and the upper rack with soft spray intensity. This provides optimum cleaning performance for mixed loads, including fine china and stemware. If other combinations are desired, use the steps listed below to change the intensities or to use the HALF LOAD feature.

How To Use Dual Intensity

1. Press and hold the **SPRAY** button for three seconds until the **UPPER** light begins to blink.
2. While the **UPPER** light is blinking, press the **SPRAY** button until the desired intensity for the upper rack is selected.
3. Press the **HALF LOAD** button to switch to the lower rack and use the **SPRAY** button to adjust to the desired intensity.
4. Selections can be cancelled by selecting any cycle except **DUAL INTENSITY**.

#### **QUICK WASH**

This is a shortened cycle that is perfect for recently used or lightly soiled loads.

#### **STEAM DELICATE**

This cycle adds the gentle power of steam to boost the cleaning power of the delicate cycle. The cycle is perfect for effectively cleaning delicate items like fine china or stemware.

#### **STEAM FRESH**

This cycle can be used to freshen up dishes that may have been stored or not used for a long time.

### **CHIME ON/OFF**

To enable or disable the chime, press and hold the Quick Wash and Steam Delicate buttons for 2 seconds.

### **RINSE ONLY**

This cycle is a quick rinse for dishes that will not be washed immediately. No detergent should be used.

To select the Rinse Only cycle, press the Power button; then press the Rinse button once without pressing any other cycle buttons.

**NOTE:** If a main cycle has been selected, the Rinse Only cycle will not be available without first shutting the power off.

### 2 **CANCEL**



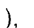
To cancel a running cycle, open the door and then press and hold the Dual Intensity and Quick Wash buttons together for 3 seconds. The drain pump will be activated and the cycle will be cancelled.

### 3 **CYCLE OPTIONS AND DISPLAY**

Press the desired cycle option buttons to select and set any of the dishwasher's options described below. The display will show the selected cycle times and cycle options.



#### **SPRAY (INTENSITY)**

Repeated pressing of the Spray button will select the desired spray. The strong, medium, or soft light will show in the top left portion of the display.

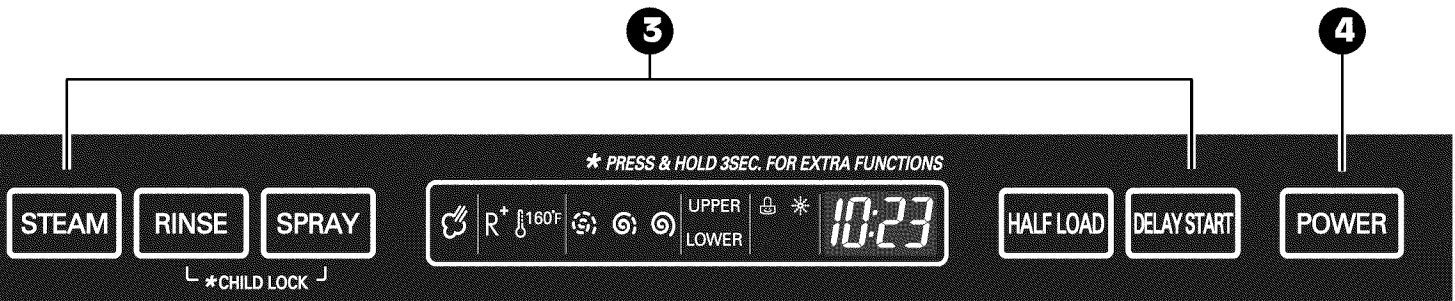
Soft (  ), Medium (  ), Strong (  )


#### **RINSE**

Repeated pressing of the Rinse button will select the desired Rinse option. The Sanitary, Extra Rinse, or Sanitary and Extra Rinse lights will show in the bottom left portion of the display.

EXTRA RINSE(  ), SANITARY(  )



**CONTROL PANEL (continued)**

- The (  ) symbol indicates that sanitary rinse has been selected. The symbol blinks during the cycle if the sanitary temperature has been achieved. Once the cycle has ended, the symbol will be steady if the sanitary temperature has been achieved.

**\*NOTE:** This high-temperature rinse sanitizes dishware and glassware in accordance with NSF/ANSI Standard 184 for residential dishwashers. Certified dishwashers are not intended for licensed food establishments.

- When you select Extra Rinse, an additional rinse cycle is added.
- Rinse Only is a wash cycle described on the previous page.

**CHILD LOCK**


Lamp will turn on when Child Lock setting is on.

- To lock/unlock the buttons, press and hold the Rinse and Spray Buttons simultaneously for 3 seconds with the door open.
- Lock the control buttons during cycle operation to prevent settings from being changed.

**RINSE AID**

Refill with rinse aid when the lamp turns on.

**DIGITAL DISPLAY**

 The Digital Display on the control panel shows the estimated cycle and option times.

When the dishwasher is powered up, the display will be blank. When the cycle and options are selected, the display will show the total estimated time to complete those selections. During operation, the display shows the remaining estimated operating time.

**NOTES:**

- The estimated time shown in the display does not include delay times for heating water, etc.
- If Delay Wash is selected, the display shows the delay time in hours.

**HALF LOAD**

- For small loads, you may use just the upper or lower rack to save energy.
- Each press of the Half Load button cycles between upper rack only and lower rack only.
- If Half Load is not pressed, the dishwasher will run normally, with upper and lower spray arms operating alternately.

**DELAY START**

- To delay the start of a selected cycle, press the Delay Start button.
- Each time Delay Start is pressed will delay the start of the cycle by one additional hour.
- The delay start time can be set from 1 to 19 hours in one-hour increments.

**STEAM**

- Press the Steam button to add steam to a selected cycle.
- The Steam symbol will be lighted when the STEAM option has been selected.
- The steam symbol will blink while steam is being injected into the dishwasher.

**⚠ WARNING**

Steam can cause burns. Use caution in the area of the steam nozzle on the left side of the dishwasher if the door is opened during the steam portion of a cycle. Contact with the steam or the steam nozzle can cause burns.

**4 POWER**

- Pressing the Power button turns on power to the controls.
- After the cycle is complete, the power automatically turns off for safety and economy.
- If there is a power surge, power outage, or disruption of any kind, the power will be automatically turned off for safety, and the cycle will need to be restarted.

# OPERATING INSTRUCTIONS

## QUICK START

### 1 **LOAD THE DISHES**

Scrape the dishes free of excess food, bones, and any other hard, non-soluble residue. Pull each rack out and load the dishes as described on pages 13 and 14.

### 2 **MEASURE THE DETERGENT**

Using the guidelines on page 17, fill the detergent cup with the recommended amount of detergent and close the lid. If a prewash is desired, the recess on top of the lid should also be filled with detergent.

### 3 **TURN ON THE DISHWASHER**

To start the cycle, open the door and press the Power button.

### 4 **CHECK THE RINSE AID**

The Rinse Aid indicator light will illuminate if the level of rinse aid in the dishwasher is low. Add rinse aid if the level is low to maintain the effectiveness of the dry cycle.

### 5 **SELECT THE CYCLE AND OPTIONS**

Select the cycle and options that best fit the load by referring to the chart on page 11. The display will show the estimated time for the cycle and options selected.

### 6 **CLOSE THE DOOR**

The dishwasher will start automatically, after a slight delay, when the door is closed and latched. During the cycle, the display will indicate the estimated time remaining for the cycle and options selected. If the door is opened during the cycle, the dishwasher will stop. When the door is closed, the cycle will resume from the point where it was stopped.

### 7 **END OF CYCLE**

When the cycle is completed, a chime will sound and the display will show "END." After a short time, the display and controls will shut off for safety and energy conservation.

---

## **CAUTION**

Empty the lower rack first and then the upper rack. This will avoid water dripping from the upper rack onto dishes in the lower rack.

## **WARNING**

In general, it is not advisable to open the door while the dishwasher is in operation. If the door is opened, a safety device stops the dishwasher. Care should be taken when opening the door immediately following the cycle, as steam may escape.

### **NOTE :**

If small hard items such as bones, nut shells or plastic or glass pieces get into the pump, they can cause a grinding noise as the soft food disposer in the dishwasher attempts to grind up these hard objects. Some objects that might get into the pump could eventually be ground up and drained away. However, if a grinding noise is heard and it does not go away, call for service to have the objects removed from the pump. Some objects such as pieces of glass could cause damage to the pump if not removed promptly.

### **AUTO-OFF**

The dishwasher will automatically turn off if a cycle is not selected or if the door is not closed within 10 minutes.

# OPERATING INSTRUCTIONS

## SELECTING A CYCLE

CYCLE	Wash		Rinse			Dry	*Water Usage	**Cycle Time	Spray Intensity
	Prewash	Main Wash	Rinse 1	Rinse 2	Heated Rinse				
<b>Power Scrub</b>	●	131°–145°F 55°–63°C ●	●	●	154°F 68°C ●	●	5.5–9.2 gal. 21–35 L	122–176 Min.	Strong
<b>Normal</b>	●	95°–140°F 35°–60°C ●	●		149°–153°F 65°–67°C ●	●	2.6–6.9 gal. 10–26 L	97–124 Min.	Medium
<b>Dual Intensity</b>	●	154°F 68°C ●	●		149°F 65°C ●	●	5.5–6.9 gal. 21–26 L	138 Min.	Medium
<b>Quick Wash</b>	●	115°F 46°C ●	●		140°F 60°C ●	●	5.5 gal. 21 L	78 Min.	Medium
<b>Steam Delicate</b>	●	113°F 45°C ●	●		154°F 68°C ●	●	5.5–6.9 gal. 21–26 L	107 Min.	Soft
<b>Steam Fresh</b>					131°F 55°C ●	●	1.2–1.5 gal. 4.5–5.5 L	49 Min.	Medium
<b>Rinse Only</b>			●				1.3 gal. 5 L	15 Min.	Medium

\*Actual water consumption will vary depending on soil level.

\*\*Actual cycle times may vary depending on soil levels and water temperature.

### Power Scrub

This cycle is for very heavily soiled loads such as cookware.

### Normal

Select this cycle for normally soiled, everyday loads.

### Dual Intensity

This cycle allows the upper and lower racks to be washed at different spray intensities in the same cycle for a precise balance of cleaning performance and care of the dishes. See page 8.

### Quick Wash

This is a shortened cycle that is perfect for recently used or lightly soiled loads.

### Steam Delicate

This cycle adds the gentle power of steam to boost the cleaning power of the delicate cycle. The cycle is perfect for effectively cleaning delicate items like fine china or stemware.

### Steam Fresh

This cycle can be used to freshen up dishes that may have been stored or not used for a long time.

### Rinse Only

If you don't plan to wash a load of dishes immediately, use this cycle to remove excess soil and soften dried-on residue. To select Rinse Only, press Rinse button without selecting a main cycle. See page 8.

# OPERATING INSTRUCTIONS

## **CAUTION**

### ***NON-DISHWASHER-SAFE ITEMS***

The combination of high water temperature and dishwasher detergents may damage certain items. LG does not recommend washing the following items in the dishwasher:

- Hand-painted silver or gold-leaf dishes
- Wood- or bone-handled utensils
- Iron or other rust-prone utensils
- Plastic items that are not dishwasher-safe

When in doubt, check manufacturers' recommendations.

# OPERATING INSTRUCTIONS

## LOADING THE LOWER RACK

The extra tall tub allows loading of dishes, pans, or other utensils up to 14 inches high.

**NOTE:** Make sure large items do not interfere with the rotation of the spray arms, and do not prevent the detergent dispenser from opening.

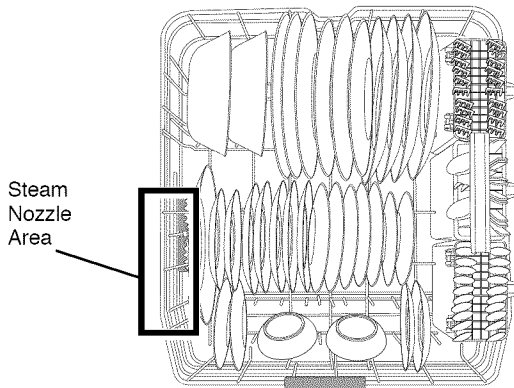
The lower rack is recommended for dinner plates, soup bowls, dishes, pots, pans, lids, and grill trays. Plates should be positioned vertically and facing the center of the rack. Pots, pans, and large bowls must be turned so that the inside faces downward. The silverware basket

may be used in either the lower or upper rack.

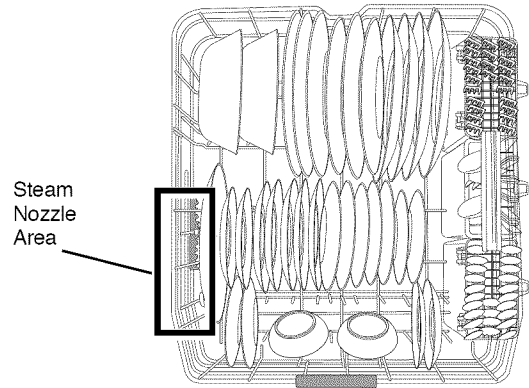
The lower rack should not be used for small items like cups, wine glasses, or small plates. These items should be loaded in the upper rack.

Load heavily soiled or stained dishes in the front left side of the lower rack with the dirty side facing out and down. This is the area the stream enters the dishwasher. The use of hot steam maximizes the dishwasher's cleaning performance.

### LOADING 10 PLACE SETTINGS, LOWER RACK

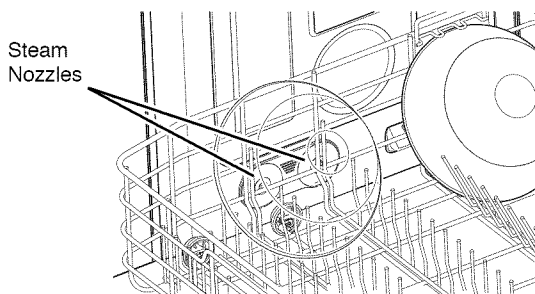


### LOADING 12 PLACE SETTINGS, LOWER RACK



## LOADING FOR STEAM

To maximize the benefits of steam for removing difficult or baked-on soils, load the target dishes on the lower rack to the left side. For best effect, load the dishes so they are facing down and to the left to benefit from both the direct steam spray and the lower spray arm wash action.



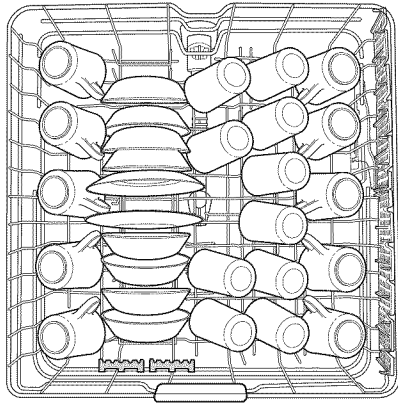
# OPERATING INSTRUCTIONS

## LOADING THE UPPER RACK

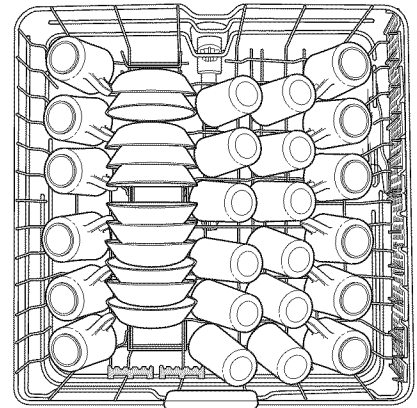
Use the upper rack for small or delicate items such as small plates, cups, saucers, glasses, and dishwasher-safe plastic items. Cups, glasses, and bowls must be positioned upside down. Extra cups or cooking utensils can be laid

on the fold down cup racks, which may also provide support for long stemmed glasses. Make sure items do not interfere with the rotation of the spray arms above and below the upper rack.

### LOADING 10 PLACE SETTINGS, UPPER RACK



### LOADING 12 PLACE SETTINGS, UPPER RACK

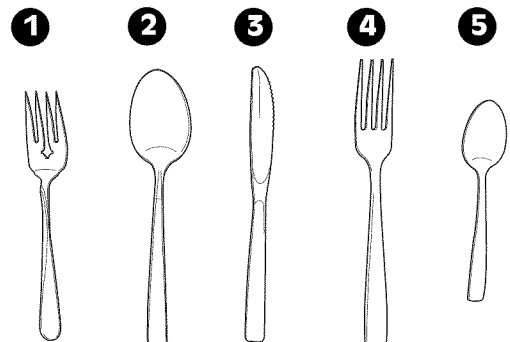
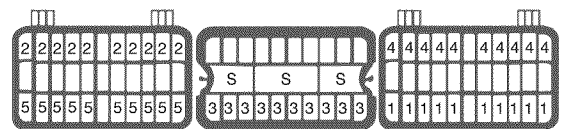
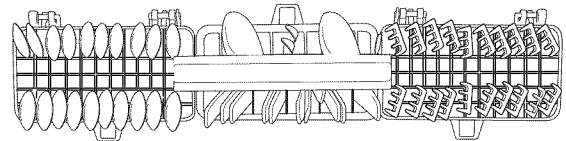


## LOADING THE SILVERWARE BASKET

The silverware basket has separators to avoid scratching and tarnishing of delicate silverware. The basket can be separated into three modules that can be used individually in both the upper and lower racks. For small loads of silverware, modules can be removed, allowing extra space for other dishes.

### ⚠️ WARNING

Be careful when loading and unloading sharp items. Load sharp knives with the handles up to reduce the risk of personal injury.

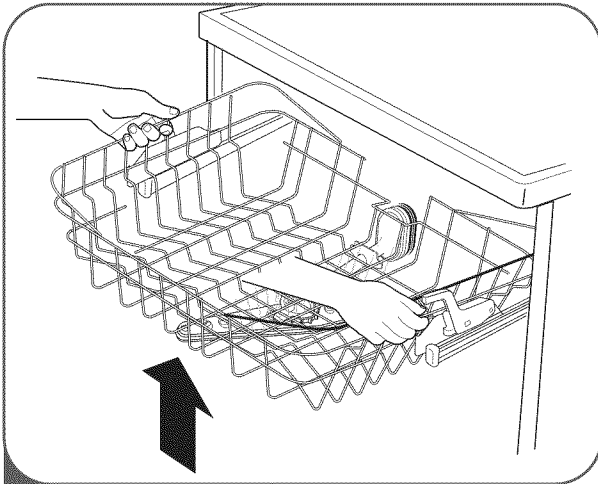


# OPERATING INSTRUCTIONS

## HEIGHT-ADJUSTABLE UPPER RACK

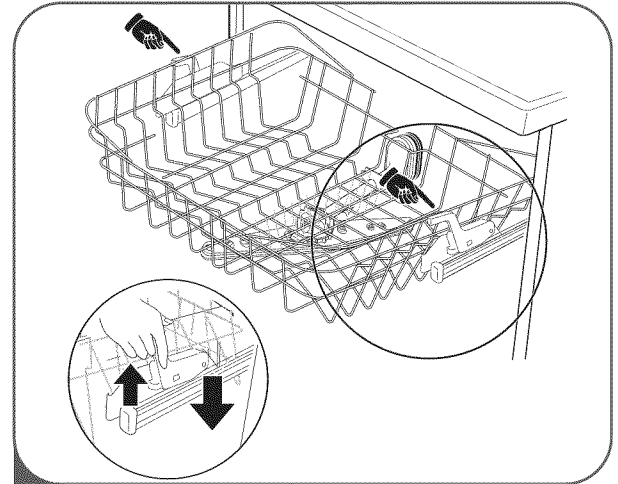
The upper rack adjusts **up** to allow you to place tall and oversized items up to 14 inches high in the lower rack. Or, you can adjust the upper rack **down** to allow placement of large dishes up to 12 inches high in the upper rack.

**NOTE:** After adjusting, make sure that dishes in the upper and lower racks do not interfere with the rotation of the spray arm. Do not adjust the rack while it is loaded with dishes.



### 1 To raise the rack:

Simply lift the rack at the center of each side (see illustration) until the rack locks into place in the upper position. It is not necessary to lift the lock levers to raise the rack.



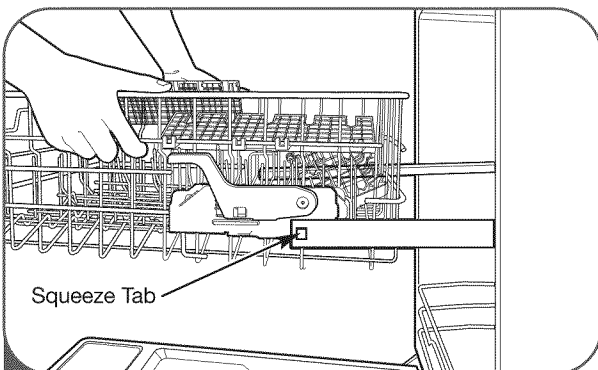
### 2 To lower the rack:

Hold the rack at the center of each side to support its weight; then lift the lever on each side to release the rack and lower it to the lower position.

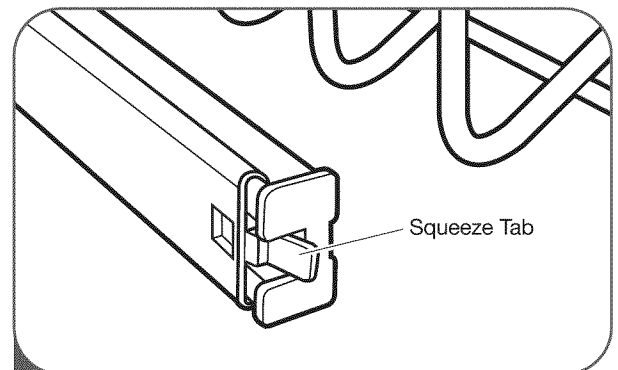
## REMOVING THE UPPER RACK

The upper rack can be removed to make more room for items in the lower rack.

**NOTE:** Always remove dishes from the upper rack before removing it.



### 1 Pull the upper rack out until it stops. Locate the squeeze tab.

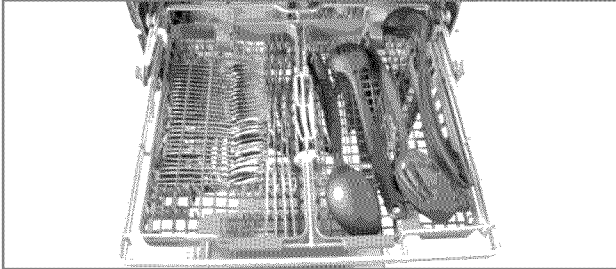


### 2 Squeeze the tab of the retainer at the end of each side rail and remove it. Be careful not to allow the upper rack to fall off the rails after the retainers are removed. Pull the upper rack out of the slides.

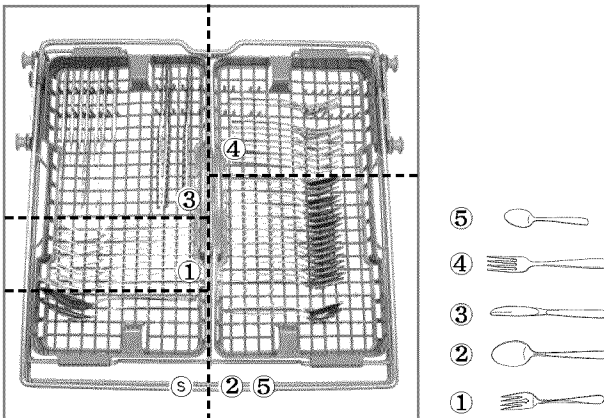
# OPERATING INSTRUCTIONS

## LOADING THE CUTLERY RACK

The cutlery rack is best suited for flatware and most cooking or serving utensils.

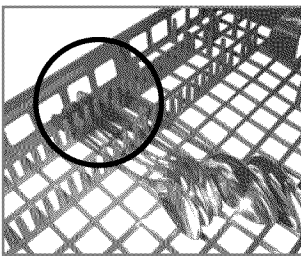


The separators on the cutlery racks help keep flatware separated to avoid damage and improve cleaning.

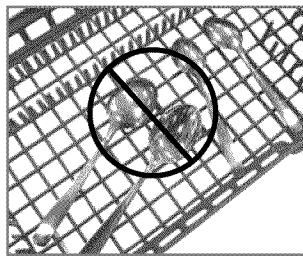


Sample 10-place setting.

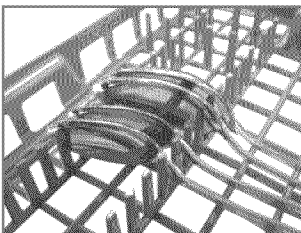
Knife, fork, and spoon handles should be positioned between the tines.



Right



Wrong



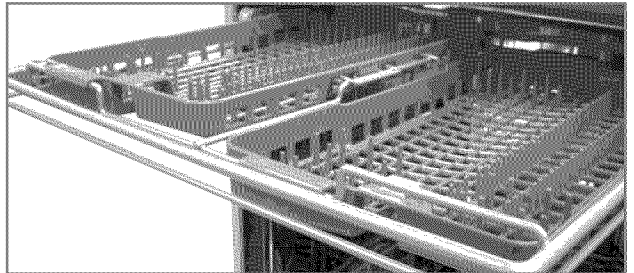
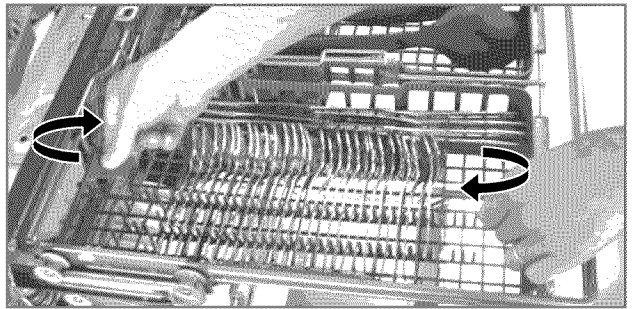
Alternate

If the handles of your flatware are too thick, then reverse the pieces so the handles face the other direction as shown in the bottom figure.

## HEIGHT ADJUSTABLE TRAY

Each side tray can be adjusted independently to a high or low position to accommodate different sizes of utensils or cutlery.

Each tray is adjusted by lifting it out and rotating it front to back.

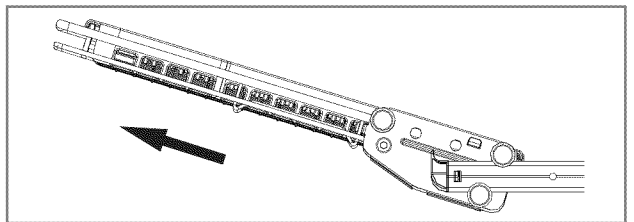


### Removable Cutlery Rack

The entire cutlery rack can be removed if more space is needed on the upper rack for larger items.

### NOTE :

Always remove cutlery from the rack before removing the rack.



Pull the rack out to the end of the rails, then lift the front of the rack so the rollers clear the stop on the end of the rail. The rack can now be slid forward and removed from the rails.

## ⚠ WARNING

Be careful when loading and unloading sharp-edged items. Load sharp knives with the blade down in order to reduce the risk of injury.



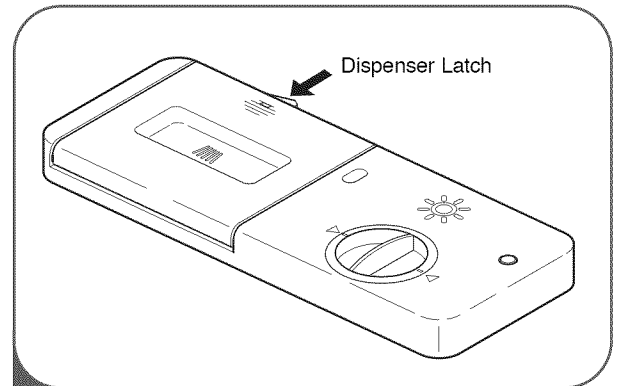
# OPERATING INSTRUCTIONS

## ADDING DETERGENT TO THE DISPENSER

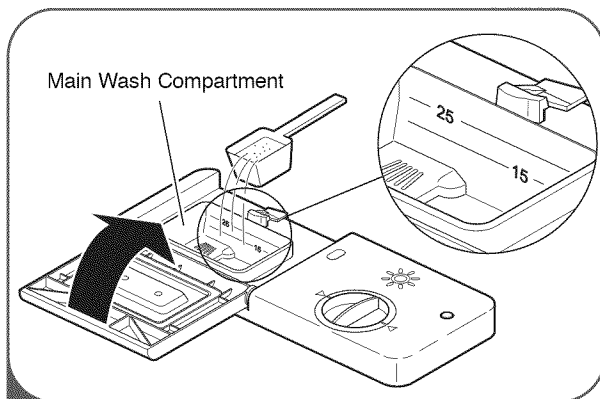
- Detergent must be put into the detergent compartment before starting any cycle except Rinse Only.
- If dishes are only lightly soiled, use less detergent.
- The total capacity of the main detergent compartment is 1.4 oz (40 ml). The recommended usage marks in the dispenser are 0.5 oz (15 ml) and 0.9 oz (25 ml). Using excess detergent can leave a film on dishes and in the dishwasher resulting in poor wash performance.
- The amount of detergent needed depends on the cycle, load size, and soil level of dishes.

### NOTE :

Remove the label on the dispenser prior to running the dishwasher.



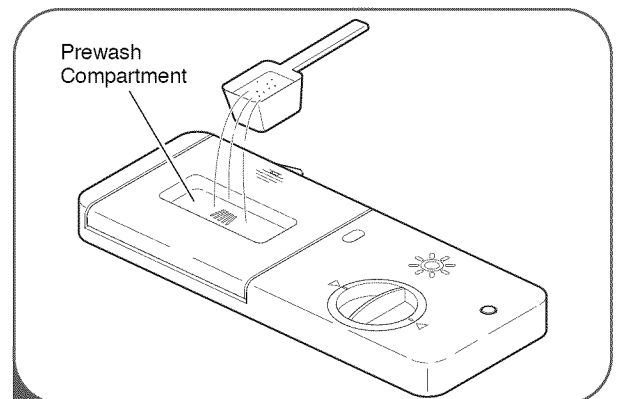
- 1 If the lid is closed, press the lever on the bottom side of the lid to open the dispenser.



- 2 Add dishwashing detergent to the main wash compartment until the level is between the 15 and 25 lines. Fill to 25 line for hard water or heavily soiled loads or to 15 line for soft water or lightly soiled loads. Adjust amount of detergent to best meet your cleaning needs and conditions.

Close the lid firmly until a click is heard.

**NOTE: DO NOT** add detergent when the Rinse Only cycle is selected.



- 3 If a prewash is desired, fill the recessed prewash compartment area in the lid with detergent.

**NOTE:** Too much detergent can leave a film on dishes and in the dishwasher resulting in poor wash performance.

## ⚠ CAUTION

### DETERGENT INFORMATION

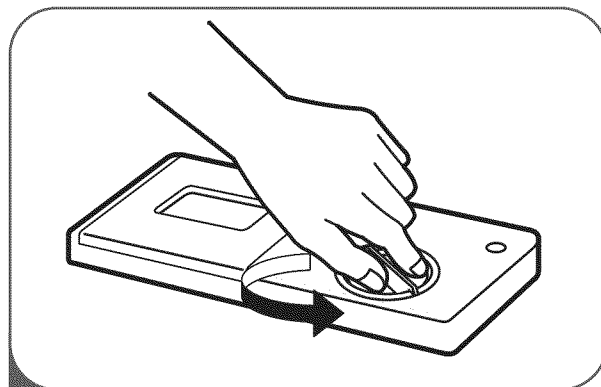
Use only detergent intended for automatic dishwashers. Incorrect detergent may cause the dishwasher to fill with suds during operation. Excess sudsing may reduce wash performance and may cause the unit to leak. **DO NOT** use hand dishwashing detergent in this dishwasher.

# OPERATING INSTRUCTIONS

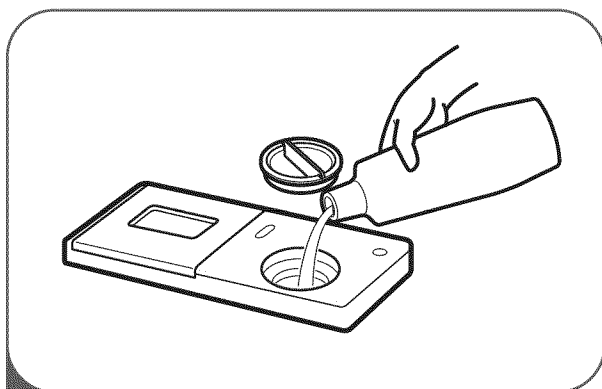
## ADDING RINSE AID TO THE DISPENSER

The use of rinse aid products is recommended to prevent spots on dishes from water droplets remaining after the completion of the wash cycle, and to enhance the performance of the dry cycle.

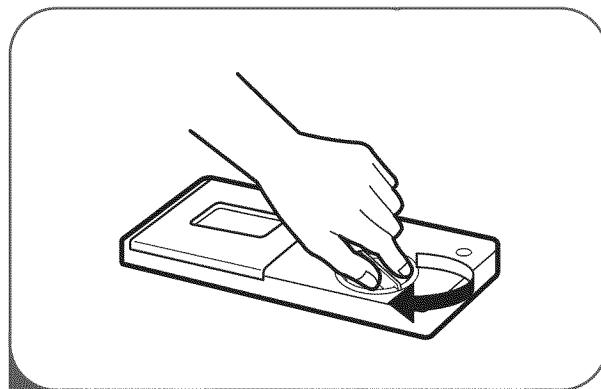
**NOTE:** Only use liquid rinse aid in this dishwasher.



**1** Rotate the round cap counterclockwise to remove it.



**2** Add a liquid rinse aid to the maximum fill level (max. 4.8 oz [145 ml]).



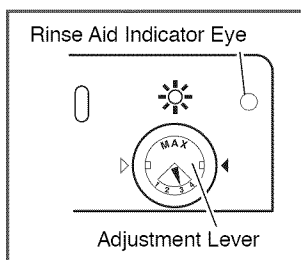
**3** Replace the cap and turn clockwise to lock. Rinse aid will be dispensed automatically during the final rinse cycle.

### RINSE AID DISPENSER ADJUSTMENT

The rinse aid dispenser is factory-set to level 3, which should provide the best performance under most conditions. Setting the rinse aid control too low will contribute to spotting and streaking of dishes and poor drying performance.

Setting the control too high can cause foaming, which will cause poor wash performance.

To adjust the rinse aid dispenser setting, remove the cap and adjust the rinse aid lever to the desired setting.



### REFILLING THE RINSE AID

The capacity of the rinse aid dispenser is 4.8 oz (145 ml). How often the dispenser will need to be refilled depends on how often dishes are washed and the rinse aid setting used.

If the rinse aid level is low, the Rinse Aid light on the control panel will illuminate.

#### NOTE :

The dispenser also has a round Rinse Aid Indicator Eye that is dark when the dispenser is full and light when it is empty.

For best results, it is important to periodically check and care for the spray arms.

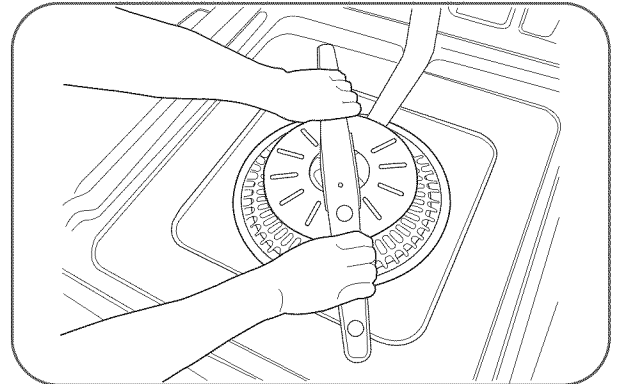
**⚠ WARNING** To prevent injury during care and maintenance/cleaning, wear gloves and/or protective clothing.

## CLEANING METALLIC PARTS

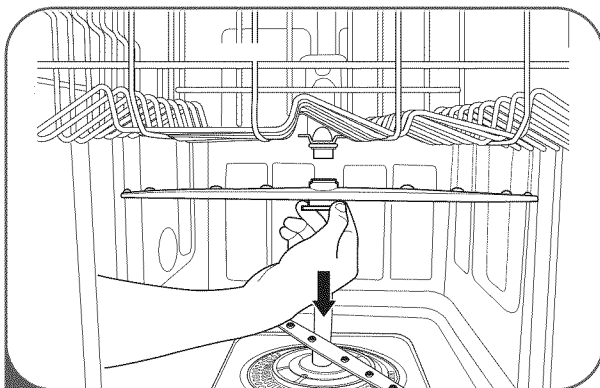
Some exterior and interior parts can be cleaned with a damp cloth or sponge. A cloudy film may form on the surface of the stainless steel tub, especially with hard water.

## CLEANING THE LOWER SPRAY ARM

- Make sure that the water jet holes are not blocked by food particles.
- When cleaning is necessary, remove the lower spray arm by pulling up.
- After cleaning the lower spray arm, replace it by pushing down until it clips into place. Be sure the spray arm turns freely.

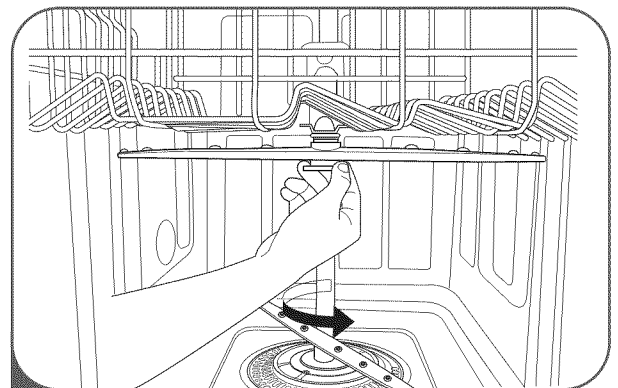


## CLEANING THE UPPER SPRAY ARM



- 1** Pull the upper rack forward. Make sure that the water jet holes are not blocked by food particles.

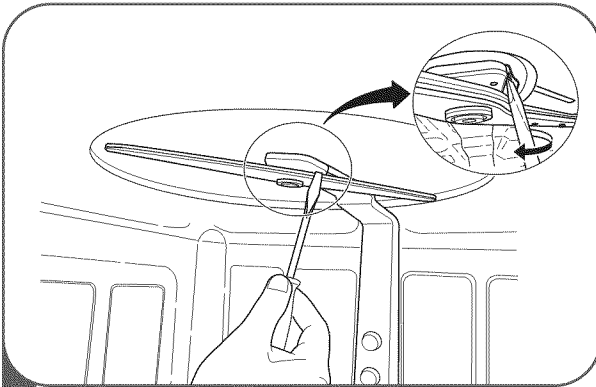
When cleaning is necessary, remove the upper spray arm by turning the nut on the bottom of the spray arm 1/8 turn counterclockwise and pulling down (see illustrations).



- 2** After cleaning the upper spray arm, press it up into place. Turn the nut 1/8 turn clockwise to make sure the nut locks back into place.

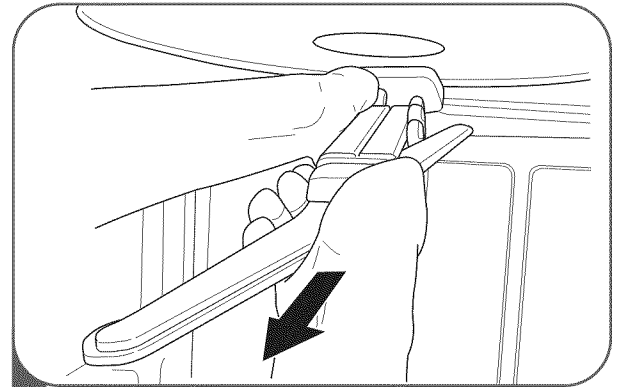
# CARE AND CLEANING

## CLEANING THE TOP SPRAY ARM

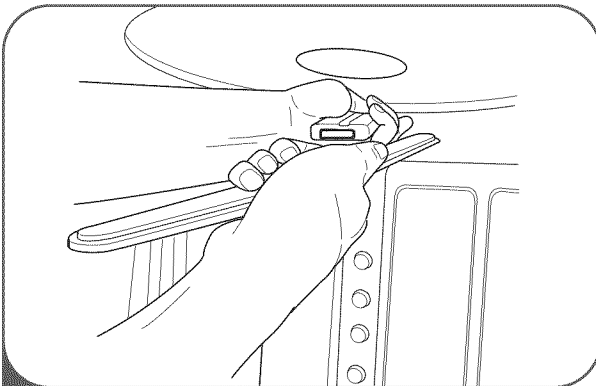


- 1** Make sure that the water jet holes are not blocked by food particles.

When cleaning is necessary, use a screwdriver to release the retainer clip from the bracket that holds the top spray arm assembly to the tub.



- 2** Then pull the spray arm out.



- 3** After cleaning the top spray arm, replace it. Slide it back into place and make sure the retainer clip engages.

## SEASONAL MAINTENANCE AND STORAGE

- During the summer, if you will be absent for extended periods of time, it is recommended that you close the water valve and unplug the power cord, or turn off the circuit breaker.
- During winter, if you will be absent for extended periods of time and there is a possibility of freezing temperatures, it is recommended that you winterize the water supply lines and the dishwasher itself. Winterization must be performed by experienced service personnel.

## BEFORE CALLING FOR SERVICE

Problem	Possible Causes	Solutions
<b>Dishwasher does not operate</b>	Door is not completely closed.	Make sure the door is completely closed and latched.
	Power supply or power cord is not connected.	Connect the power supply or cord properly.
	Fuse is blown or circuit breaker tripped.	Replace fuse or reset circuit breaker.
<b>Dishwasher operates too long</b>	Unit is connected to cold water.	Check the water supply connection or water heater setting. (Heating cold water takes longer.)
<b>Odor</b>	Previous cycle was stopped before completion.	Operate the Quick Wash cycle with detergent without loading any dishes.
<b>Water remains in tub after completion of cycle</b>	Drain hose is kinked or clogged.	Adjust hose or clear blockage.
<b>Spots and filming on dishes</b>	Low water temperature.	Water supply should be at least 120°F for best wash performance.
	Wrong amount of detergent used.	Use the recommended amount of detergent.
	Overloading.	Load the proper amount of dishes.
	Improper loading.	See the Using Your Dishwasher section.
	Insufficient water pressure.	Adjust water pressure to between 20 and 120 psi.
	Insufficient detergent.	Add the recommended amount of detergent. See Using Your Dishwasher section.
	Rinse aid dispenser empty.	Refill rinse aid dispenser.
<p><b>Extremely hard water.</b></p> <p>The best way to eliminate spots on your dishes is to install a whole house water softener in your home. If a water softener is already installed or you do not plan on installing one, try adding an "Extra Rinse" option as part of the wash cycle to help minimize this condition. To add an Extra Rinse to the cycle, select the wash cycle then press extra rinse.</p> <p><b>Note:</b> When selecting the "Extra Rinse" cycle times and water usage will be increased from normal use.</p> <p><b>To remove hard water build up in tub</b></p> <p>Remove all dishes, silverware and silverware holder from the dishwasher. Only the racks should remain in the tub.            Fill a measuring cup with white vinegar approximately 14~17ounces(400~500mL), place the measuring cup in the lower rack.            Run a "Normal" cycle and select "Extra Rinse" and "Sanitary", then close the door.  <b>DO NOT USE ANY DETERGENT</b></p> <p><b>Note:</b> Make sure to let the dishwasher complete the entire cycle. The cleaning method should only be done as needed.</p>		

If you have followed this troubleshooting guide and the problem persists, or if the problem you are experiencing is not listed here, please call LGE Customer Service at 1-800-243-0000(US), 1-888-542-2623(Canada).

# TROUBLESHOOTING

## BEFORE CALLING FOR SERVICE (continued)

Problem	Possible Causes	Solutions
<b>Food soil remains on dishes</b>	Improper cycle selection.	Select correct cycle based on soil level and type of dishware being washed.
	Water temperature is too low.	Check water supply connection or water heater setting.
	Dishwashing detergent was not used.	Use recommended detergent.
	Low inlet water pressure.	Water pressure should be between 20 and 120 psi.
	Water jet holes on spray arms blocked.	Clean the spray arms.
	Improper loading of dishes.	Make sure dishes do not block spray arm rotation or interfere with detergent dispenser.
<b>Noise</b>	Some level of noise is normal during operation.	Detergent cover opening. Drain pump at the beginning of drain cycle.
	The dishwasher is not level.	Adjust the leveling feet.
	Nozzle arm knocking against dishes.	Reposition the dishes.
<b>Cloudiness on glassware</b>	Combination of excessive detergent and soft water.	Use less detergent and use a rinse aid to minimize the problem.
<b>Black or gray marks on dishes</b>	Aluminum items rubbing dishes during cycle.	Reposition the dishes.
<b>Yellow or brown film on inside surfaces of dishwasher</b>	Coffee or tea stains.	Eliminate the stain by using a stain removal product.
<b>Dishes don't dry</b>	Rinse agent dispenser empty.	Check and refill the rinse agent dispenser if empty.
<b>Lamps don't illuminate</b>	Power is not connected.	Connect power supply.
	Fuse is blown or circuit breaker tripped.	Replace fuse or reset circuit breaker.
<b>Sprays arms do not rotate smoothly</b>	Holes of spray arms are blocked by food particles.	Clean the holes of spray arms.
<b>Upper rack crooked</b>	Rack is poorly adjusted.	See Using Your Dishwasher section.
<b>IE Error</b>	Water inlet problem.	Check for clogged, kinked or frozen water inlet hose. Check water supply.
<b>OE Error</b>	Drainage problem.	Check for clogged, kinked or frozen drain hose.
<b>FE Error</b>	Excessive water supplied.	Please call your Authorized Service Center or LGE Customer Service at 1-800-243-0000(US), 1-888-542-2623(Canada).
<b>E1 Error</b>	Water leakage problem.	
<b>HE Error</b>	Heater circuit failure.	
<b>TE Error</b>	Thermistor failure or very high inlet water temperature (over 194°F).	
<b>The display shows PF</b>	The dishwasher experienced a power failure.	This is not an error. The dishwasher will restart automatically after 10 seconds.

If you have followed this troubleshooting guide and the problem persists, or if the problem you are experiencing is not listed here, please call LGE Customer Service at 1-800-243-0000(US), 1-888-542-2623(Canada).

## SPECIFICATIONS

- Power Supply: 120V, 60 Hz AC only, minimum 15A circuit breaker
- Water Pressure: 20–120 psi (140–830 kPa)
- Size (WxDxH): 23 3/4" x 24 5/8" x 33 1/2" (603 mm x 625 mm x 851 mm)
- Inlet Water Temperature: 120°F (49°C) minimum
- Product Weight : 114 lbs.(51.7kg)

The appearance and specifications are subject to change without notice.

# LG ELECTRONICS, INC. DISHWASHER LIMITED WARRANTY — USA



Should your LG Dishwasher prove to be defective in material or workmanship under normal use during the warranty period listed below, effective from the date of original consumer purchase of the product, LG Electronics will replace the defective part(s). Replacement parts will meet intended fit and function of the original part. Replacement parts are warranted for the unexpired portion of the original warranty period. This limited warranty is good only to the original purchaser of the product and effective only when used in the United States of America.

### WARRANTY PERIOD:

For the Period of:	LG Will Replace:
<b>Two years</b> from date of original purchase	<b>Any part</b> of the Dishwasher which fails due to a defect in materials or workmanship. During this <b>full two years warranty</b> , LGE will also provide, <b>free of charge</b> , all labor and on-site service to replace the defective part.
<b>Five years</b> from date of original purchase	<b>Electronic control board and dishwasher rack</b> which fails due to a defect in materials or workmanship. During this <b>five-year parts warranty</b> , you will be responsible for any labor or on-site service costs.
<b>Ten years</b> from date of original purchase	<b>Direct Drive motor</b> which fails due to a defect in materials or workmanship. During this <b>ten-year warranty</b> , you will be responsible for any labor or on-site service costs.
<b>Limited Lifetime</b>	<b>Stainless steel door liner and tub</b> (as long as owned by the original purchaser) which fails due to a defect in materials or workmanship. During this <b>limited lifetime parts warranty</b> , you will be responsible for any labor or on-site service costs.

Replacement units and repair parts may be new or factory remanufactured. Replacement units and repair parts are warranted for the remaining portion of the original unit's warranty period.

**No other warranty is applicable to this product. THIS WARRANTY IS IN LIEU OF ANY OTHER WARRANTY, EXPRESS OR IMPLIED, INCLUDING WITHOUT LIMITATION, ANY WARRANTY OF MERCHANTABILITY OR FITNESS FOR A PARTICULAR PURPOSE. TO THE EXTENT ANY IMPLIED WARRANTY IS REQUIRED BY LAW, IT IS LIMITED IN DURATION TO THE EXPRESS WARRANTY PERIOD ABOVE. NEITHER THE MANUFACTURER NOR ITS U.S. DISTRIBUTOR SHALL BE LIABLE FOR ANY INCIDENTAL, CONSEQUENTIAL, INDIRECT, SPECIAL, OR PUNITIVE DAMAGES OF ANY NATURE, INCLUDING WITHOUT LIMITATION, LOST REVENUES OR PROFITS, OR ANY OTHER DAMAGE WHETHER BASED IN CONTRACT, TORT, OR OTHERWISE.** Some states and/or territories do not allow the exclusion or limitation of incidental or consequential damages or limitations on how long an implied warranty lasts, so the above exclusion or limitation may not apply to you. This warranty gives you, the original purchaser, specific legal rights and you may also have other rights that vary from state to state or territory to territory.

### THIS LIMITED WARRANTY DOES NOT APPLY TO:

- Service calls to your home for delivery or pick-up, installation, instruction, replacement of house fuses, connection of house wiring or plumbing, or to correct unauthorized repairs.
  - Failure of product to perform during power failures and interruptions or inadequate electrical service.
  - Damage caused by transportation or handling.
  - Damage caused to the product by accident, vermin, lightning, winds, fire, floods, or acts of God.
  - Damages caused by leaky or broken water pipes, frozen water pipes, restricted drain lines, or inadequate or interrupted water supply.
  - Damages caused by inadequate supply of air.
  - Damages caused by operating the product in a corrosive atmosphere.
  - Repairs when your LG product is used in other than normal, single-family household use or contrary to the instructions described in the product User's Guide.
  - Damage resulting from accident, alteration, misuse, abuse, or improper installation, repair, or maintenance. Improper repair includes the use of parts not approved or specified by LG.
  - Normal maintenance as described in the User's Guide, such as cleaning or replacing filters, cleaning coils, etc.
  - Use of accessories or components that are not compatible with this product.
  - Products with altered or removed serial numbers.
  - Changes in the appearance of the product that do not affect product performance.
  - Increases in utility costs and additional utility expenses.
- The cost of repair or replacement under these excluded circumstances shall be borne by the consumer.**

### TO CONTACT LG ELECTRONICS BY MAIL:

LG Customer Interactive Center  
P. O. Box 240007  
201 James Record Road  
Huntsville, Alabama 35813  
ATTN: CIC

### Product Registration Information

Model Number: \_\_\_\_\_  
Serial Number: \_\_\_\_\_  
You can find these numbers on a label on the side of the dishwasher.  
Date of Purchase: \_\_\_\_\_  
Dealer's Name: \_\_\_\_\_



# LG ELECTRONICS CANADA, INC.

## LG DISHWASHER LIMITED WARRANTY - Canada

ENGLISH

**WARRANTY :** Should your LG Dishwasher (“**Product**”) fail due to a defect in material or workmanship under normal home use during the warranty period set forth below, LG Canada will at its option repair or replace the Product upon receipt of proof of original retail purchase. This warranty is valid only to the original retail purchaser of the product and applies only to a Product distributed in Canada by LG Canada or an authorized Canadian distributor thereof. The warranty only applies to Products located and used within Canada.

**WARRANTY PERIOD: (Note: If the original date of purchase can not be verified, the warranty will begin sixty (60) days from the date of manufacture.)**

Dishwasher		Extended Component Warranty (Parts Only) <small>(Consumer will be charged for Labor after One (1) year from the date of purchase)</small>	
<b>Two (2) years from the date of original retail purchase</b>	<b>Two (2) years from the date of original retail purchase</b>	<b>Five(5) years from the date of original retail purchase</b>	<b>Ten (10) years from the date of original retail purchase</b>
<b>Parts</b>	<b>Labor</b>	<b>PCB, Rack, Stainless Steel Door Liner, Tub</b>	<b>DD motor</b>
<b>(internal/functional parts only)</b>			

- ⊕ Replacement products and parts are warranted for the remaining portion of the original warranty period or ninety (90) days, whichever is greater.
- ⊕ Replacement products and parts may be new or remanufactured.
- ⊕ LG Authorized Service Center warranties their repair work for thirty (30) days.

**LG CANADA'S SOLE LIABILITY IS LIMITED TO THE WARRANTY SET OUT ABOVE. EXCEPT AS EXPRESSLY PROVIDED ABOVE, LG CANADA MAKES NO AND HEREBY DISCLAIMS ALL OTHER WARRANTIES AND CONDITIONS RESPECTING THE PRODUCT, WHETHER EXPRESS OR IMPLIED, INCLUDING, BUT NOT LIMITED TO, ANY IMPLIED WARRANTY OR CONDITION OF MERCHANTABILITY OR FITNESS FOR A PARTICULAR PURPOSE, AND NO REPRESENTATIONS SHALL BE BINDING ON LG CANADA. LG CANADA DOES NOT AUTHORIZE ANY PERSON TO CREATE OR ASSUME FOR IT ANY OTHER WARRANTY OBLIGATION OR LIABILITY IN CONNECTION WITH THE PRODUCT. TO THE EXTENT THAT ANY WARRANTY OR CONDITION IS IMPLIED BY LAW, IT IS LIMITED TO THE EXPRESS WARRANTY PERIOD ABOVE. LG CANADA, THE MANUFACTURER OR DISTRIBUTOR SHALL NOT BE LIABLE FOR ANY INCIDENTAL, CONSEQUENTIAL, SPECIAL, DIRECT OR INDIRECT DAMAGES, LOSS OF GOODWILL, LOST PROFITS, PUNITIVE OR EXEMPLARY DAMAGES OR ANY OTHER DAMAGE, WHETHER ARISING DIRECTLY OR INDIRECTLY FROM ANY CONTRACTUAL BREACH, FUNDAMENTAL OR OTHERWISE, OR FROM ANY ACTS OR OMISSIONS, TORT, OR OTHERWISE.**

This warranty gives you specific legal rights. You may have other rights which may vary from province to province depending on applicable provincial laws. Any term of this warranty that negates or varies any implied condition or warranty under provincial law is severable where it conflicts with provincial law without affecting the remainder of this warranty's terms.

**THIS LIMITED WARRANTY DOES NOT COVER:**

1. Service trips to deliver, pick up, or install the product; instructing a customer on operation of the product; repair or replacement of fuses or correction of wiring, or correction of unauthorized repairs/installation.
2. Failure of the product to perform during power failures and interruptions or inadequate electrical service.
3. Damage caused by leaky or broken water pipes, frozen water pipes, restricted drain lines, inadequate or interrupted water supply or inadequate supply of air.
4. Damage resulting from operating the Product in a corrosive atmosphere or contrary to the instructions outlined in the Product owner's manual.
5. Damage to the Product caused by accidents, pests and vermin, lightning, wind, fire, floods, or acts of God.
6. Damage resulting from the misuse, abuse, improper installation, repair, or maintenance of the Product. Improper repair includes use of parts not approved or specified by LG Canada.
7. Damage or product failure caused by unauthorized modification or alteration, or use for other than its intended purpose, or resulting from any water leakage due to improper installation.
8. Damage or Product failure caused by incorrect electrical current, voltage, commercial or industrial use, or use of accessories, components, or cleaning products that are not approved by LG Canada.
9. Damage caused by transportation and handling, including scratches, dents, chips, and/or other damage to the finish of your product, unless such damage results from defects in materials or workmanship and is reported within one (1) week of delivery.
10. Damage or missing items to any display, open box, discounted, or refurbished Product.
11. Products with original serial numbers that have been removed, altered, or cannot be readily determined. Model and Serial numbers, along with original retail sales receipt, are required for warranty validation.
12. Increases in utility costs and additional utility expenses.
13. Replacement of light bulbs, filters, or any consumable parts.
14. Repairs when your Product is used in other than normal and usual household use (including, without limitation, commercial use, in offices or recreational facilities) or contrary to the instructions outlined in the Product owner's manual.
15. Costs associated with removal of the Product from your home for repairs.
16. The removal and reinstallation of the Product if it is installed in an inaccessible location or is not installed in accordance with published installation instructions, including the Product owner's and installation manuals.
17. Accessories to the Product such as door bins, drawers, handles, shelves, etc.. Also excluded are parts besides those that were originally included with the Product.

All costs associated with the above excluded circumstances shall be borne by the consumer.

**For complete warranty details and customer assistance, please call or visit our website:**

Call 1-888-542-2623 (24 hours a day, 365 days a year) and select the appropriate option from the menu, or visit our website at <http://www.lg.ca>

**Write your warranty information below:**

**Product Registration Information:**

**Model:**

**Serial Number:**

**Date of Purchase:**



ESPAÑOL

# MANUAL DE PROPIETARIO LAVAPLATOS

Lea este manual con cuidado antes de utilizar la lavaplatos y guárdelo para futuras consultas.

LSDF995ST

# INTRODUCCIÓN

## INSTRUCCIONES DE SEGURIDAD IMPORTANTES

Precauciones básicas de seguridad .....	3, 4
Seguridad sobre electricidad .....	4
Antes de utilizar el lavaplatos .....	5

## PIEZAS Y CARACTERÍSTICAS

Características .....	6
Piezas .....	7
Panel de control .....	8, 9

## INSTRUCCIONES DE OPERACIÓN

Inicio rápido .....	10
Seleccione un ciclo .....	11
Carga de la bandeja inferior .....	13
Carga para vapor .....	13
Carga de la bandeja superior .....	14
Carga de la canasta de cubiertos .....	14
Bandeja superior de altura ajustable .....	15
Desmontaje de la bandeja superior .....	15
Carga de la bandeja para cubiertos .....	16
Bandeja de altura ajustable .....	16
Cómo agregar detergente al dispensador .....	17
Cómo agregar agente de enjuague al dispensador .....	18

## CUIDADO Y LIMPIEZA

Limpieza de las piezas metálicas .....	19
Limpieza del brazo de pulverización inferior .....	19
Limpieza del brazo de pulverización superior .....	19
Limpieza del brazo de pulverización más elevado .....	20
Mantenimiento estacional y almacenamiento .....	20

## DETECCIÓN DE PROBLEMAS

Antes de solicitar servicio técnico .....	21, 22
-------------------------------------------	--------

## ESPECIFICACIONES

Especificaciones .....	23
------------------------	----

## GARANTÍA

Información sobre registro de producto .....	24, 25
----------------------------------------------	--------

## ¡GRACIAS!

Felicitaciones por su compra

y bienvenido a la familia de LG.

Su nuevo lavaplatos LG combina

un funcionamiento silencioso y

eficiente con una tecnología de

limpieza avanzada. Siguiendo

las instrucciones de operación

y cuidado de este manual, su

lavaplatos le brindará muchos

años de servicio confiable.

# INSTRUCCIONES DE SEGURIDAD IMPORTANTES

## LEA TODAS LAS INSTRUCCIONES ANTES DE USAR

### Su seguridad y la seguridad de otros es muy importante.

Hemos incluido muchos mensajes de seguridad importantes en este manual y en su electrodoméstico. Siempre lea y siga todos los mensajes de seguridad.



Este es el símbolo de alerta de seguridad.

Este símbolo lo alerta sobre peligros potenciales que podrían provocar daños a la propiedad o lesiones personales graves o incluso la muerte.

El símbolo de alerta de seguridad será seguido por la palabra “ADVERTENCIA” O “PRECAUCIÓN”, y luego un mensaje importante de seguridad. Estas palabras significan:

#### **ADVERTENCIA**

Este símbolo indica la posibilidad de muerte o lesiones personales graves.

#### **PRECAUCIÓN**

Este símbolo indica la posibilidad de lesiones o daños a la propiedad.

## PRECAUCIONES BÁSICAS DE SEGURIDAD



**ADVERTENCIA** Para reducir el riesgo de incendio, descarga eléctrica o lesiones a personas cuando utilice este artefacto, deben seguirse precauciones básicas de seguridad, incluyendo las siguientes:

- Este manual contiene información muy importante relacionada con la instalación, el uso y el mantenimiento de su lavaplatos.
- El fabricante no se hace responsable de lesiones o daños provocados por no seguir estas instrucciones de seguridad y de precaución.
- Lea todas las instrucciones con detenimiento antes de utilizar el lavaplatos.
- Use el lavaplatos sólo para su función prevista.
- Utilice sólo detergentes o agentes de enjuague recomendados para el lavaplatos. Mantenga todos los detergentes y aditivos del lavaplatos fuera del alcance de los niños.
- Este electrodoméstico no está concebido para ser usado por niños pequeños o personas no calificadas.
- Cuando cargue elementos para lavar:
  - 1) Cargue los elementos filosos de modo que no dañen el sellado de la puerta; y
  - 2) Cargue los cuchillos filosos con los mangos hacia arriba para reducir el riesgo de lesiones cuando quite los elementos del lavaplatos.
- No lave elementos plásticos en el lavaplatos a menos que estén clasificados como aptos para lavaplatos o equivalente. En el caso de elementos plásticos que no estén clasificados así, verifique las recomendaciones del fabricante.
- No haga funcionar el lavaplatos a menos que todos los paneles del recinto se encuentren en su lugar.
- No altere o modifique los controles.
- No maltrate, ni se siente o se pare sobre la puerta o bandejas del lavaplatos.
- Para reducir el riesgo de lesión, no permita que los niños jueguen dentro o alrededor de un lavaplatos.
- Bajo ciertas condiciones, puede producirse gas de hidrógeno en un sistema de agua caliente que no se ha usado durante dos semanas o más. **EL GAS DE HIDRÓGENO ES EXPLOSIVO.** Si el sistema de agua caliente no se ha usado durante dicho período de tiempo, abra todos los grifos de agua caliente y deje fluir el agua durante varios minutos. Esto liberará el gas de hidrógeno acumulado. Ya que el gas de hidrógeno es inflamable, no fume o utilice una llama abierta en ese momento.
- Quite la puerta del compartimento de lavado cuando deseche un lavaplatos viejo.

# INSTRUCCIONES DE SEGURIDAD IMPORTANTES

## LEA TODAS LAS INSTRUCCIONES ANTES DE USAR

### PRECAUCIONES BÁSICAS DE SEGURIDAD

**⚠️ ADVERTENCIA** Para reducir el riesgo de incendio, descarga eléctrica o lesiones a personas cuando utilice este artefacto, deben seguirse precauciones básicas de seguridad, incluyendo las siguientes:

#### Para un lavaplatos conectado en forma permanente:

Este electrodoméstico debe conectarse a un sistema de cableado permanente con conexión a tierra o debe utilizarse un conductor de conexión a tierra del equipamiento con los conductores de circuito y conectarse a la terminal de conexión a tierra o conductor del artefacto. Consulte a un electricista calificado.

#### Peligro de volcaduras

No ejerza una fuerza excesiva hacia abajo sobre la puerta abierta del lavaplatos antes de la instalación, ya que esto puede dañar la unidad o hacer que vuelque. No utilice el lavaplatos antes de haber finalizado la instalación según las Instrucciones de instalación.

### SEGURIDAD SOBRE ELECTRICIDAD

#### ⚠️ ADVERTENCIA

**Peligro de descarga eléctrica**  
No seguir estas instrucciones puede provocar la muerte, un incendio o una descarga eléctrica.

- El lavaplatos **DEBE** tener una conexión a tierra. Conecte el cable a tierra al conector verde a tierra en la caja terminal.
- No utilice un cable de extensión con este electrodoméstico.
- El lavaplatos se halla diseñado para utilizarse con corriente doméstica normal (120 voltios CA, 60 Hz). Antes de conectar el lavaplatos, asegúrese de que el tomacorriente o cable esté conectado a tierra adecuadamente y polarizado por interruptores de circuito o fusibles. No contar con una conexión a tierra adecuada en este electrodoméstico puede provocar una descarga eléctrica o el mal funcionamiento del aparato. Consulte a un electricista calificado.

- No instale o almacene el lavaplatos en lugares donde se verá expuesto a las inclemencias del clima. No cumplir con esta precaución puede provocar una descarga eléctrica, un incendio, el mal funcionamiento y/o deformación del lavaplatos.
- No coloque elementos pesados sobre el cable de energía del aparato, ni lo dañe. No utilice el lavaplatos si su cable de energía se encuentra dañado. Un daño en el cable de energía puede provocar un incendio o una descarga eléctrica. Consulte a un electricista calificado.
- No tome el cable de energía o toque los controles del lavaplatos con manos mojadas. No utilice el lavaplatos si tiene el cable de energía o enchufe dañados, y no enchufe el lavaplatos en un tomacorriente dañado. No cumplir con estas instrucciones puede provocar una descarga eléctrica.
- Sólo personas de reparación experimentadas deben efectuar su desmontaje o reparación. Un desmontaje o reparación inapropiados pueden provocar una falla del producto o una descarga eléctrica.

# INSTRUCCIONES DE SEGURIDAD IMPORTANTES

## LEA TODAS LAS INSTRUCCIONES ANTES DE USAR

### ANTES DE UTILIZAR EL LAVAPLATOS

Antes de utilizar el lavaplatos, tenga a bien leer las Instrucciones importantes de seguridad. La temperatura de suministro de agua debe ser de un mínimo de 120°F (49°C) para un mejor lavado y tiempo de ciclo razonable.

Por esta razón, sólo utilice un suministro de agua caliente. También resulta importante que el lavaplatos se cargue de acuerdo con las instrucciones para lograr una limpieza efectiva.

Cuando cargue el lavaplatos, asegúrese de haber retirado elementos insolubles tales como huesos, escarbadiantes y pedazos de papel.

Cuando cargue el lavaplatos, cumpla con las siguientes reglas generales:

1. Coloque los elementos con fondos de platos profundos en un ángulo para ayudar al escurrimiento del agua y acelerar el proceso de secado.
2. Quite los restos sólidos y quemados de los platos antes de cargarlos al lavaplatos.
3. Sólo cargue elementos que sean aptos para lavaplatos.

**NOTA:** No cargue utensilios que no sean resistentes al calor, tienen ribetes de metal decorativo, etc.

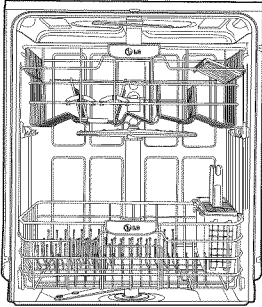
## GUARDE ESTAS INSTRUCCIONES

# PIEZAS Y CARACTERÍSTICAS

## CARACTERÍSTICAS

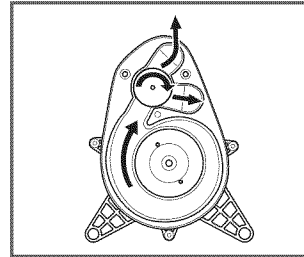
### CAPACIDAD GRANDE

Los lavaplatos LG le permiten cargar elementos muy grandes en las bandejas superior e inferior. El tambor alto ofrece una capacidad global extra y el espacio para colocar platos grandes. Los elementos extra grandes (máx. 14 pulg.) pueden cargarse en la bandeja inferior elevando la bandeja superior.



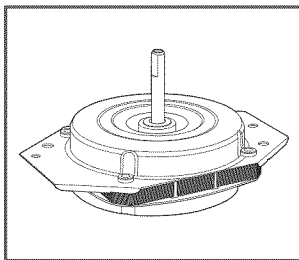
### SISTEMA DE PULVERIZACIÓN VARIO

Dado que la pulverización de agua alterna entre las bandejas superior e inferior, toda la energía del motor se dirige a una bandeja por vez. Esto concentra toda la energía de limpieza del motor en cada estante por vez.



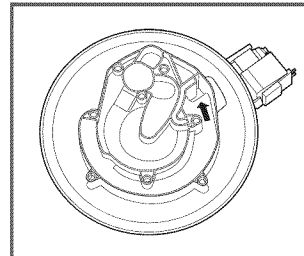
### MOTOR SLIM DIRECT™

El nuevo Motor Slim Direct™ se encuentra controlado por un inversor. La energía de lavado se controla en base a la selección del ciclo. También ofrece una elevada eficiencia de energía para minimizar el uso de la misma.



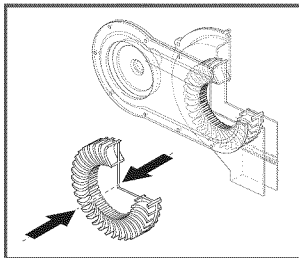
### TRITURADOR DE ALIMENTOS BLANDOS Y FILTRO DE AUTO LIMPIEZA

Para mejores resultados, su lavaplatos LG cuenta con un triturador incorporado de alimentos blandos y un filtro de auto limpieza. El triturador muele los alimentos blandos y los residuos en pequeñas partículas que pueden retenerse en el filtro y eliminarse por el desagüe. El sistema de filtro de auto limpieza limpia en forma continua el agua de lavado mientras circula para separar cualquier clase de residuo del agua. Toda la suciedad y los residuos pueden eliminarse por el desagüe fácilmente.



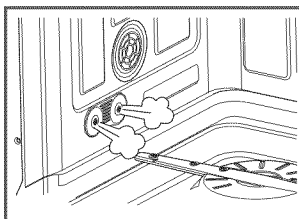
### SISTEMA DE SECADO HÍBRIDO

Este sistema seca la vajilla de manera efectiva sin el uso de un elemento calentador que incremente el consumo de energía.



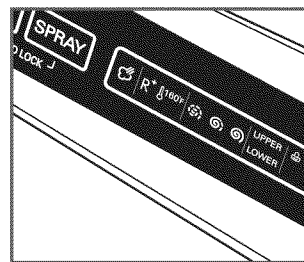
### LAVADO CON VAPOR

La tecnología de vapor ofrece un mejor desempeño de limpieza que los sistemas de lavado regulares. El vapor es el método de cuidado más delicado y con mejor rendimiento de energía para su porcelana y cristalería más fina.



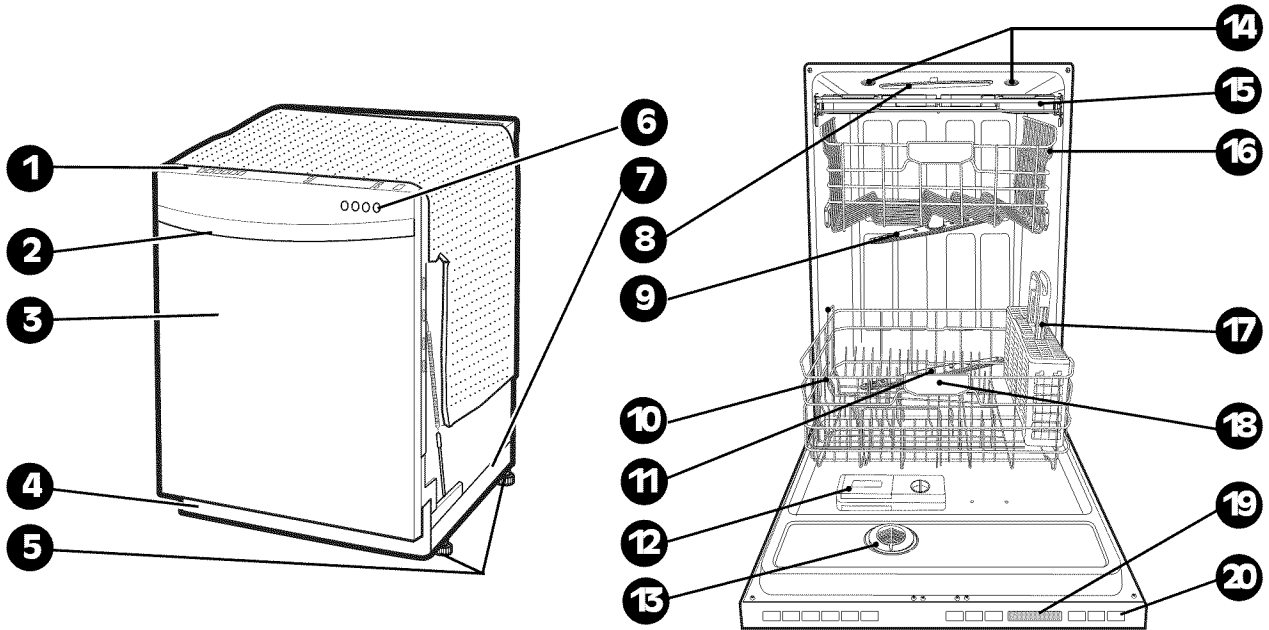
### PANTALLA TÁCTIL Y LCD AZUL

Los botones táctiles del panel de control facilitan las selecciones y son muy cómodos, mientras que la pantalla LCD azul muestra claramente el ciclo y las opciones seleccionadas.



# PIEZAS Y CARACTERÍSTICAS

## PIEZAS



- 1** **PANEL DE CONTROL**
- 2** **MANIJA DE LA PUERTA**
- 3** **TAPA FRONTAL**
- 4** **TAPA INFERIOR**
- 5** **PATAS DE NIVELACIÓN**
- 6** **PANTALLA FRONTAL (Signalight™)**

Vista frontal

Proceso Indicador (Signalight™)

○	○	○	○
WASH	RINSE	DRY	CLEAN
(LAVADO)	(ENJUAGUE)	(SECO)	(LIMPIO)

Los indicadores luminosos de **LAVADO**, **ENJUAGUE** y **SECADO** parpadean durante cada etapa del proceso de lavado. El indicador luminoso **LIMPIO** se ilumina durante 4 minutos una vez acabado cualquier proceso.

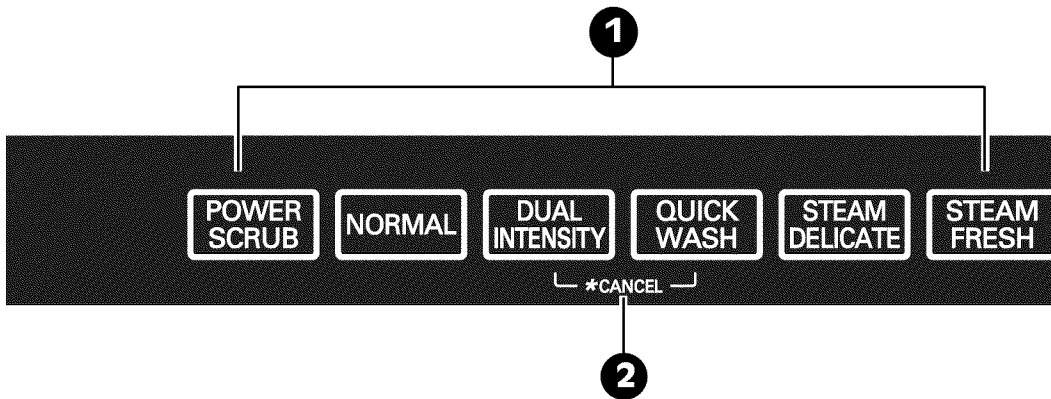
- 7** **BASE**
- 8** **BRAZO DE PULVERIZACIÓN MÁS ELEVADO**

- 9** **BRAZO DE PULVERIZACIÓN SUPERIORBOQUILLA DE VAPOR**
- 10** **BOQUILLA DE VAPOR**
- 11** **BRAZO DE PULVERIZACIÓN INFERIOR**
- 12** **DISPENSADOR DE DETERGENTE Y AGENTE DE ENJUAGUE**
- 13** **TAPA DE LA VENTILACIÓN DE SECADO**
- 14** **LÁMPARA DE LA TINA (IllumiTub™)**
- 15** **BANDEJA PARA CUBIERTOS**
- 16** **BANDEJA SUPERIOR**
- 17** **CANASTA PARA CUBIERTOS**
- 18** **BANDEJA INFERIOR**
- 19** **PANTALLA SUPERIOR**
- 20** **BOTÓN DE ENCENDIDO**



# PIEZAS Y CARACTERÍSTICAS

## PANEL DE CONTROL



### 1 CICLOS

Presione el ciclo que corresponda a su ciclo de lavado deseado.

#### **POWER SCRUB (Fregado fuerte)**

Este ciclo es para platos muy sucios.

#### **NORMAL**

Este ciclo es para cargas de todos los días con suciedad normal.

#### **DUAL INTENSITY (Intensidad doble)**

Este ciclo lava las bandejas superior e inferior empleando diferentes intensidades de pulverización. El ajuste predeterminado de este ciclo lava la bandeja inferior empleando una intensidad de pulverización fuerte y una intensidad suave en la bandeja superior. Esto proporciona un rendimiento óptimo de limpieza para cargas mixtas, incluyendo porcelana china y copas de cristal. Si desea realizar otras combinaciones, use la siguiente lista de pasos para cambiar la intensidad o usar la función de MEDIA CARGA.

Uso de la función de intensidad dual

1. Mantenga pulsado el botón **SPRAY** (Pulverización) durante tres segundos hasta que la luz **SUPERIOR** empiece a parpadear.
2. Mientras la luz **SUPERIOR** está parpadeando, pulse el botón **SPRAY** (Pulverización) hasta escoger la intensidad deseada para la bandeja superior.
3. Pulse el botón **HALF LOAD** (Media carga) para cambiar a la bandeja inferior y use el botón **SPRAY** (Pulverización) para ajustar la intensidad deseada.
4. Las selecciones pueden cancelarse escogiendo cualquier ciclo excepto

#### **QUICK WASH (Lavado rápido)**

Un ciclo más corto que resulta perfecto para cargas usadas recientemente o poco sucias.

#### **STEAM DELICATE (Vapor delicado)**

Este ciclo agrega la energía suave del vapor para potenciar el poder de limpieza del ciclo delicado. El ciclo es perfecto para la limpieza efectiva de elementos delicados como porcelana o cristalería fina.

#### **STEAM FRESH (Vapor fresco)**

Este ciclo puede utilizarse para refrescar platos que han estado guardados o no se han utilizado por un período prolongado.

### **TIMBRE ENCENDIDO/APAGADO**

Para activar o desactivar el timbre, presione y sostenga los botones Quick Wash y Steam Delicate durante 2 segundos.

### **RINSE ONLY (Sólo enjuague)**

Este ciclo es un enjuague rápido para platos que no se lavarán de inmediato. No debe utilizarse detergente.

Para seleccionar el ciclo Rinse Only (sólo enjuague), presione el botón Power (encendido), luego el botón Rinse (enjuague) una vez sin presionar otros botones de ciclo.

**NOTA:** Si se ha seleccionado un ciclo principal, el ciclo Rinse Only (sólo enjuague) no se encontrará disponible sin antes apagar el encendido.

### 2 CANCEL (Cancelación)

Para cancelar un ciclo en funcionamiento, abra la puerta y luego presione y sostenga los botones Dual Intensity (intensidad doble) y Quick Wash (lavado rápido) en conjunto durante 3 segundos. La bomba de drenaje se activará y se cancelará el ciclo.

### 3 OPCIONES DE CICLO Y PANTALLA

Presione los botones de opción de ciclo deseados para seleccionar y configurar cualquiera de las opciones del lavaplatos descritas abajo. La pantalla mostrará los tiempos del ciclo seleccionado y las opciones de ciclo.

#### **SPRAY (INTENSITY) (Pulverización) (intensidad)**

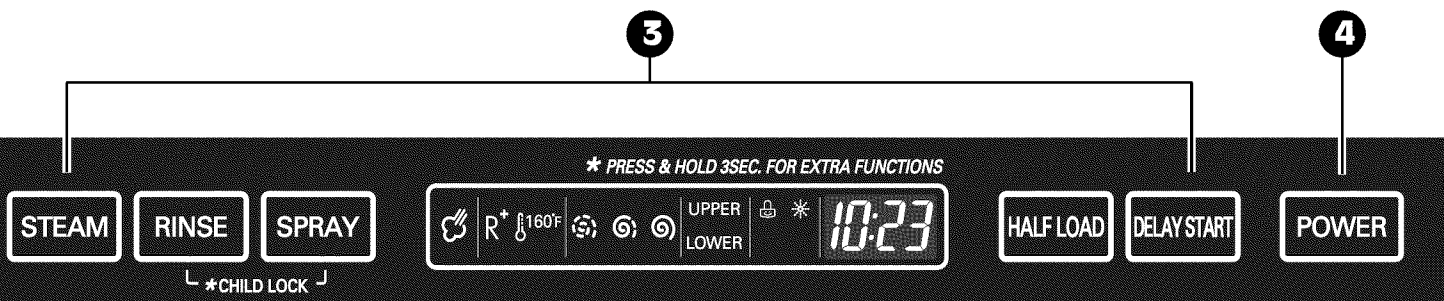
Al presionar repetidamente el botón Spray (pulverización) se seleccionará la pulverización deseada. Las luces strong (fuerte), medium (media), o soft (suave) aparecerán en la parte superior izquierda de la pantalla.

Soft ( ), Medium ( ), Strong ( )  
(suave) (media) (fuerte)

#### **RINSE (Enjuague)**

Al presionar repetidamente el botón Rinse (enjuague) se seleccionará la opción de enjuague deseada. Las luces Sanitary (sanitaria), Extra Rinse (extra enjuague), o Sanitary (sanitaria) y Extra Rinse

## PANEL DE CONTROL (continuación)



(extra enjuague) aparecerán en la porción superior izquierda de la pantalla.

EXTRA RINSE( R\* ), SANITARY( 160°F )  
(extra enjuague) (sanitaria)

- El símbolo ( 160°F ) indica que se ha seleccionado la aclaración por esterilización. El símbolo parpadea durante el ciclo si se ha alcanzado la temperatura de esterilización. Acabado el ciclo, el símbolo permanecerá fijo si se ha alcanzado la temperatura de esterilización.
- **\*NOTA:** El enjuague de alta temperatura desinfecta la vajilla y la cristalería en cumplimiento con NSF/ANSI Norma 184 para lavaplatos residenciales. Los lavaplatos certificados no se encuentran concebidos para establecimientos alimenticios con licencia.
- Cuando seleccione Extra Rinse (extra enjuague), se agregará un ciclo adicional de enjuague.
- Rinse Only (Sólo aclarado) es un ciclo de lavado descrito en la página anterior.

### CHILD LOCK (Bloqueo para niños)



La luz se encenderá cuando la configuración de Bloqueo para niños se encuentre accionada.

- Para bloquear/desbloquear los botones, mantenga pulsados simultáneamente, y durante 3 segundos, los botones Rinse y Spray (Enjuague y Pulverización) con la puerta abierta.
- Bloquea los botones de control durante la operación de ciclo para evitar que se cambien las configuraciones.

### AGENTE DE ENJUAGUE



Rellene con agente de enjuague cuando la luz se encienda.

### PANTALLA DIGITAL

18:88 La pantalla digital del panel de control muestra los tiempos estimados de ciclo y de opción en una pantalla de dos dígitos. Cuando el lavaplatos se enciende, la pantalla

estará en blanco. Cuando se seleccionan los ciclos y las opciones, la pantalla mostrará el tiempo estimado total para completar esas selecciones. Durante la operación, la pantalla muestra el tiempo de operación restante estimado.

#### NOTAS:

- El tiempo estimado de la pantalla no incluye tiempos de retardo para calentar agua, etc.
- Si el tiempo supera los 99 minutos, la pantalla muestra los tiempos en horas enteras. (2H, 3H, etc.)
- Si se selecciona Delay Wash (lavado retardado), la pantalla muestra el tiempo de retardo en horas.

### DELAY START (Inicio retardado)

- Para retardar el inicio de un ciclo seleccionado, presione el botón Delay Start.
- Cada vez que se presiona Delay Start se retarda el inicio del ciclo en una hora adicional.
- El tiempo de inicio retardado puede configurarse desde 1 a 19 horas en incrementos de una hora.

### STEAM (Vapor)

- El símbolo Steam (Vapor) se iluminará cuando esté escogida la opción STEAM (Vapor).
- El símbolo Steam (Vapor) parpadeará mientras el vapor esté siendo inyectado dentro del lavavajillas.

## ⚠ ADVERTENCIA

El vapor puede provocar quemaduras. Tenga cuidado con la zona de la boquilla de vapor situada en el lado izquierdo del lavavajillas si abre la puerta durante la fase de vaporización de un ciclo.

El contacto con el vapor o con la boquilla de vapor puede provocar quemaduras.

### 4 POWER (Encendido)

- Al presionar el botón Power se acciona la energía hacia los controles.
- Al finalizar el ciclo, el aparato se apaga automáticamente para seguridad y economía.
- Si hay una subida de tensión o un corte de energía, o una interrupción de cualquier clase, el aparato se apagará automáticamente para seguridad y el ciclo tendrá que reiniciarse.

# INSTRUCCIONES DE OPERACIÓN

## INICIO RÁPIDO

### 1 CARGUE LOS PLATOS

Elimine el exceso de alimentos, huesos y otros residuos duros e insolubles de los platos. Extienda las bandejas hacia afuera y cargue los platos como se indica en las páginas 13 y 14.

### 2 MIDA EL DETERGENTE

Utilizando las indicaciones de la página 17, llene el recipiente de detergente con la cantidad recomendada y cierre la tapa. Si desea realizar un prelavado, también debe llenarse con detergente el espacio ubicado sobre la tapa.

### 3 ENCIENDA EL LAVAPLATOS

Para iniciar el ciclo, abra la puerta y presione el botón Power (encendido).

### 4 VERIFIQUE EL AGENTE DE ENJUAGUE

La luz indicadora del agente de enjuague se iluminará si el nivel de agente de enjuague del lavaplatos es bajo. Agregue agente de enjuague si el nivel es bajo para mantener la efectividad del ciclo de secado.

### 5 SELECCIONE EL CICLO Y LAS OPCIONES

Seleccione el ciclo y las opciones que mejor se ajustan a la carga consultando la tabla de la página 11. La pantalla mostrará el tiempo estimado del ciclo y de las opciones seleccionadas.

### 6 CIERRE LA PUERTA

El lavaplatos arrancará automáticamente, después de una pequeña demora, cuando la puerta se cierre y trabee. Durante el ciclo, la pantalla indicará el tiempo restante estimado del ciclo y de las opciones seleccionadas. Si la puerta se abre durante el ciclo, el lavaplatos se detiene. Cuando la puerta se cierra, el ciclo se reiniciará desde el punto en donde se detuvo.

### 7 FIN DEL CICLO

Cuando el ciclo se ha completado, sonará una campana y en la pantalla podrá verse "END" (Fin). Después de un período corto, la pantalla y los controles se apagarán por cuestiones de seguridad y de conservación de energía.

## ⚠ PRECAUCIÓN

Vacíe la bandeja inferior primero y luego la superior. Esto evitará que caiga agua desde la bandeja superior en los platos de la bandeja inferior.

## ⚠ ADVERTENCIA

En general, no se recomienda abrir la puerta mientras el lavaplatos se encuentra en funcionamiento. Si la puerta se abre, un dispositivo de seguridad detiene el lavaplatos. Debe tenerse cuidado al abrir la puerta inmediatamente después de finalizado el ciclo, ya que puede salir vapor.

### NOTE :

Si entrasen en la bomba objetos pequeños y duros como huesos, cáscaras de nuez o pedazos de plástico o cristal, estos podrían ocasionar ruidos chirriantes cuando el triturador de alimentos blandos del lavavajillas intente triturar dichos objetos. Algunos objetos que pudieran acceder a la bomba podrían ser triturados y desaguados eventualmente. Si embargo, si escuchara un ruido chirriante y este no cesara, solicite asistencia técnica para extraer los objetos de la bomba. Algunos objetos como pedazos de cristal, podrían provocar daños en la bomba si no son extraídos rápidamente.

## APAGADO AUTOMÁTICO

El lavaplatos se apagará automáticamente si no se selecciona un ciclo o si la puerta no se cierra dentro de 10 minutos.

# INSTRUCCIONES DE OPERACIÓN

## SELECCIONE UN CICLO

CICLO	Lavado		Enjuague			Secado	*Uso de agua	**Tiempo del ciclo	Pulverización
	Pre-lavado	Lavado principal	Enjuague 1	Enjuague 2	Enjuague caliente				
<b>Power Scrub</b>	●	131°–145°F 55°–63°C	●	●	154°F 68°C	●	5.5–9.2 gal. 21–35 L	122–176 min.	Strong (fuerte)
<b>Normal</b>	●	95°–140°F 35°–60°C	●		149°–153°F 65°–67°C	●	2.6–6.9 gal. 10–26 L	97–124 min.	Medium (media)
<b>Dual Intensity</b>	●	154°F 68°C	●		149°F 65°C	●	5.5–6.9 gal. 21–26 L	138 min.	Medium (media)
<b>Quick Wash</b>	●	115°F 46°C	●		140°F 60°C	●	5.5 gal. 21 L	78 min.	Medium (media)
<b>Steam Delicate</b>	●	113°F 45°C	●		154°F 68°C	●	5.5–6.9 gal. 21–26 L	107 min.	Soft (suave)
<b>Steam Fresh</b>					131°F 55°C	●	1.2–1.5 gal. 4.5–5.5 L	49 min.	Medium (media)
<b>Rinse Only</b>			●				1.3 gal. 5 L	15 min.	Medium (media)

\*El consumo real de agua variará de acuerdo con el nivel de suciedad.

\*\*La duración del ciclo en curso podría variar dependiendo del nivel de suciedad y la temperatura del agua.

### Power Scrub (Fregado fuerte)

Este ciclo es para cargas muy sucias tales como elementos de cocción.

### Normal

Seleccione este ciclo para cargas de todos los días con suciedad normal.

### Dual Intensity (Intensidad doble)

Este ciclo permite que las bandejas superior e inferior se laven con diferentes intensidades de pulverización durante el mismo ciclo para un equilibrio preciso de limpieza y cuidado de los platos. Ver página 8.

### Quick Wash (Lavado rápido)

Un ciclo más corto que resulta perfecto para cargas usadas recientemente o poco sucias.

### Steam Delicate (Vapor delicado)

Este ciclo agrega la energía suave del vapor para potenciar el poder de limpieza del ciclo delicado. El ciclo es perfecto para la limpieza efectiva de elementos delicados como porcelana o cristalería fina.

### Steam Fresh (Vapor fresco)

Este ciclo puede utilizarse para refrescar platos que han estado guardados o no se han utilizado por un período prolongado.

### Rinse Only (Sólo enjuague)

Si no piensa lavar inmediatamente una carga, use este ciclo para eliminar el exceso de suciedad y ablandar residuos secos adheridos. Para escoger la función Rinse Only (Sólo aclarado), pulse el botón Rinse (Aclarado) sin escoger ningún ciclo principal. Examine la página 8.

# INSTRUCCIONES DE OPERACIÓN

## **⚠ PRECAUCIÓN**

### ***ELEMENTOS NO APTOS PARA LAVAPLATOS***

La combinación de una elevada temperatura del agua y los detergentes para lavaplatos puede dañar ciertos elementos. LG no recomendáis lavar los siguientes elementos en el lavaplatos:

- Vajilla de loza pintada a mano con plata u oro
- Utensilios de madera o hueso
- Utensilios de hierro o propensos a oxidarse
- Elementos plásticos no aptos para lavaplatos

Si tiene alguna duda, consulte las recomendaciones del fabricante.

# INSTRUCCIONES DE OPERACIÓN

## CARGA DE LA BANDEJA INFERIOR

El tambor extra alto permite la carga de platos, ollas u otros utensilios de una altura de hasta 14 pulgadas.

**NOTA:** Verifique que los elementos grandes no interfieran con la rotación de los brazos de pulverización, y que dejen abrir el dispensador de detergente.

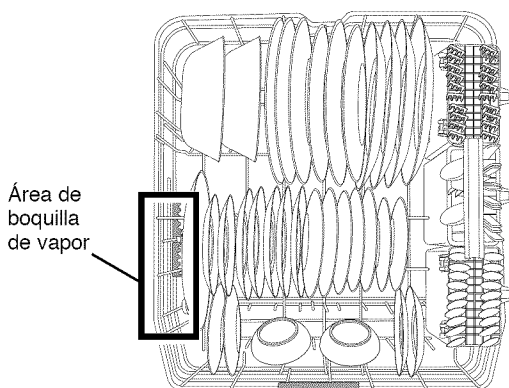
Se recomienda la bandeja inferior para platos de cena y de sopa, ollas, sartenes, tapas y bandejas de parrillas. Los platos deben colocarse en forma vertical mirando el centro de la bandeja. Las ollas, sartenes y tazones grandes deben darse vuelta para que la parte interna mire hacia abajo. La canasta de

cubiertos puede utilizarse tanto en la bandeja superior como en la inferior.

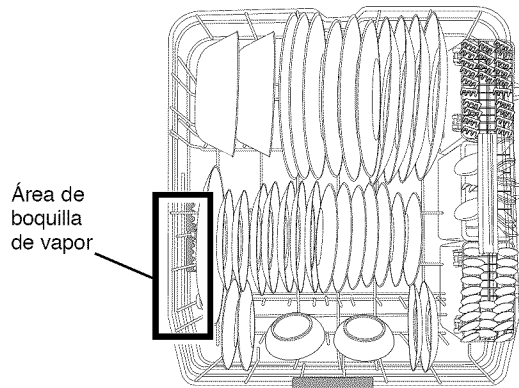
La bandeja inferior no debe usarse para elementos pequeños como tazas, copas de vino o platos pequeños. Estos elementos deben cargarse en la bandeja superior.

Cargue los platos muy sucios o manchados en el lado frontal izquierdo de la bandeja inferior con el lado sucio hacia afuera y abajo. Esta es el área por donde ingresa el vapor al lavaplatos. La utilización de vapor caliente maximiza la limpieza del lavaplatos.

### **CARGA DE CONFIGURACIONES DE 10 LUGARES, BANDEJA INFERIOR**

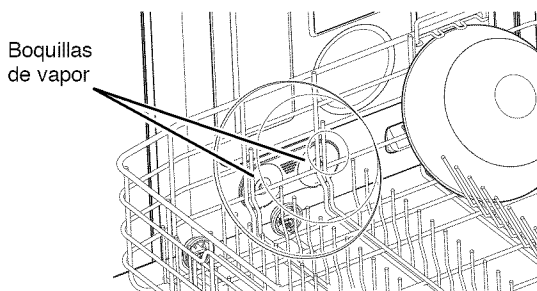


### **CARGA DE CONFIGURACIONES DE 12 LUGARES, BANDEJA INFERIOR**



## CARGA PARA VAPOR

Para optimizar los beneficios del vapor en la eliminación de suciedad difícil o adherida, cargue los platos que desea tratar específicamente. Para obtener el mejor resultado, cargue los platos con la cara hacia abajo y hacia la izquierda para aprovechar la pulverización de vapor directa y la acción de lavado del brazo de pulverización inferior.



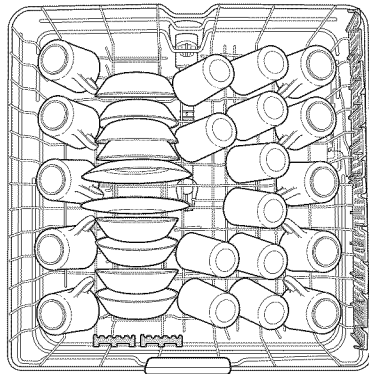
# INSTRUCCIONES DE OPERACIÓN

## CARGA DE LA BANDEJA SUPERIOR

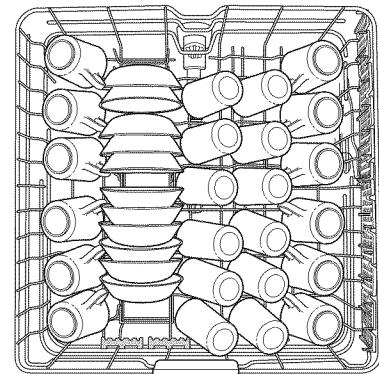
Utilice la bandeja superior para elementos pequeños o delicados tales como platos, tazas, vasos y elementos de plástico aptos para lavaplatos. Las tazas, vasos y tazones deben colocarse dados vuelta. Las tazas o utensilios de cocina extras pueden colocarse en las bandejas

para tazas plegables, las que también pueden brindar soporte a copas de tallos largos. Verifique que los elementos no interfieran con la rotación de los brazos de pulverización sobre y debajo de la bandeja superior.

### CARGA DE CONFIGURACIONES DE 10 LUGARES, BANDEJA SUPERIOR

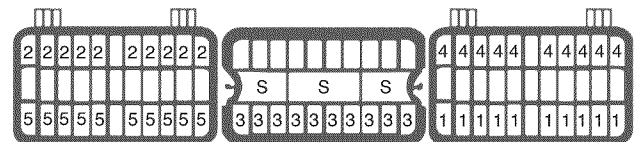
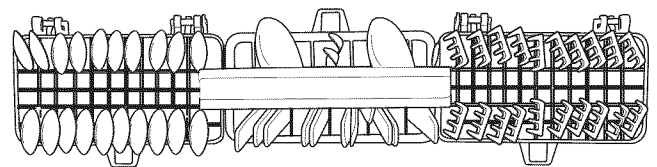


### CARGA DE CONFIGURACIONES DE 12 LUGARES, BANDEJA SUPERIOR



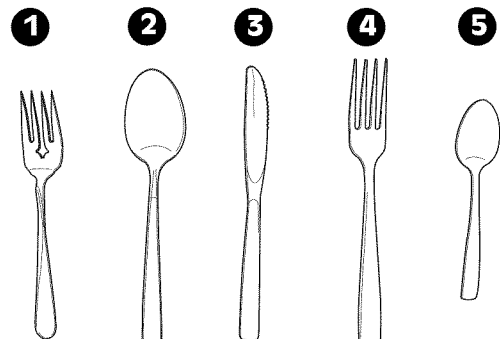
## CARGA DE LA CANASTA DE CUBIERTOS

La canasta para cubiertos cuenta con separadores para que los cubiertos delicados no se rayen u oscurezcan. La canasta puede dividirse en tres módulos separados que pueden utilizarse en forma individual tanto en la bandeja inferior como en la superior. Para pequeñas cargas de cubiertos, los módulos pueden quitarse, dejando espacio extra para otra vajilla.



## ⚠️ ADVERTENCIA

Tenga cuidado cuando cargue y descargue elementos filosos. Cargue cuchillos filosos con los mangos hacia arriba para reducir el riesgo de una lesión personal.

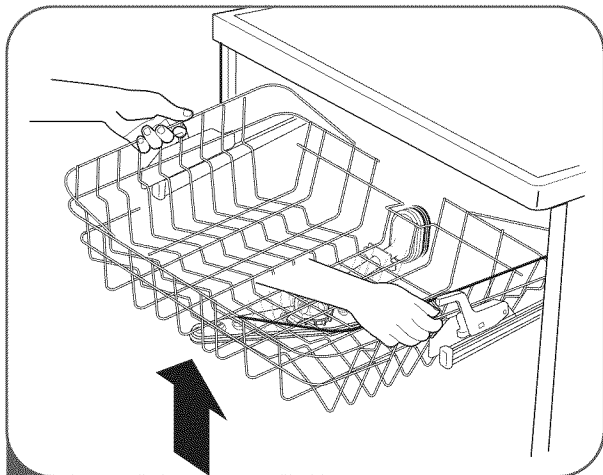


# INSTRUCCIONES DE OPERACIÓN

## BANDEJA SUPERIOR DE ALTURA AJUSTABLE

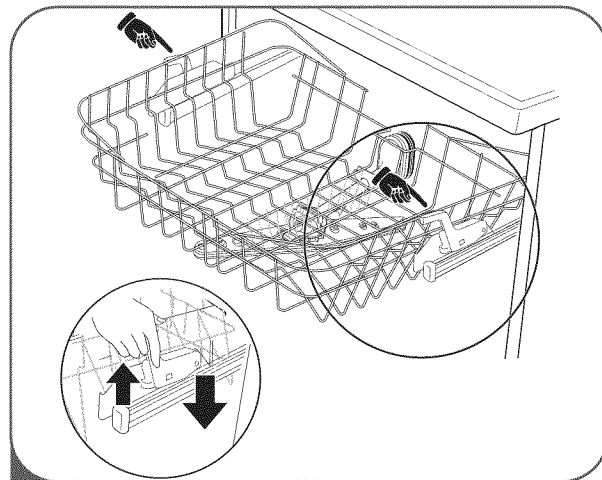
La bandeja superior se ajusta hacia **arriba** para permitirle colocar elementos altos y de grandes dimensiones hasta una altura de 14 pulgadas en la bandeja inferior. O, puede ajustarse la bandeja superior hacia **abajo** para permitir la colocación de platos de hasta 12 pulgadas de altura en la bandeja superior.

**NOTA:** Después del ajuste, asegúrese de que los platos de las bandejas superior e inferior no interfieren con la rotación del brazo de pulverización. No ajuste la bandeja mientras se encuentre cargada con platos.



### 1 Para elevar la bandeja:

Simplemente levante la bandeja desde el centro de cada lado (ver ilustración) hasta que la bandeja se traben en su lugar en la posición superior. No es necesario elevar las palancas de bloqueo para levantar la bandeja.

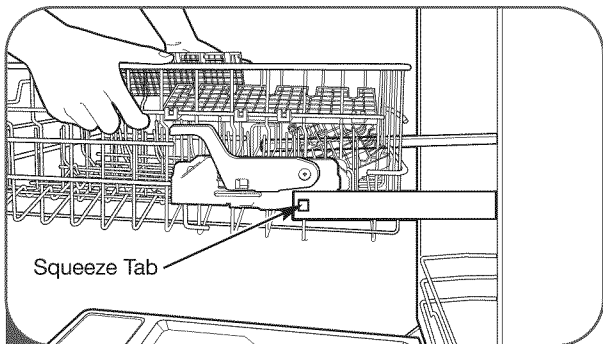


### 2 Para bajar la bandeja:

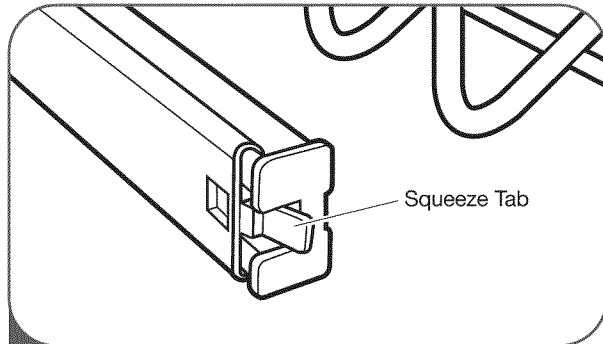
Sostenga la bandeja desde el centro de cada lado para soportar el peso; luego levante la palanca de cada lado para liberar la bandeja y bajarla.

## DESMONTAJE DE LA BANDEJA SUPERIOR

La bandeja superior puede desmontarse para dejar más espacio a los objetos situados en la bandeja inferior. **NOTA:** Retire siempre los platos de la bandeja superior antes de desmontarla.



### 1 Extraiga la bandeja superior hasta su tope. Localice la lengüeta de presión.



### 2 Pulse la lengüeta del dispositivo de retención situada en el extremo de cada riel lateral y desmóntelos.

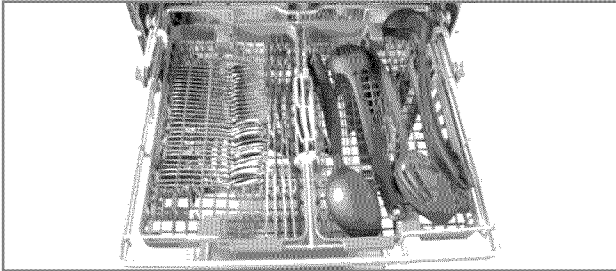
Tenga cuidado de no permitir la salida de la bandeja superior de los rieles una vez desmontados los dispositivos de retención. Extraiga la bandeja superior de los rieles.



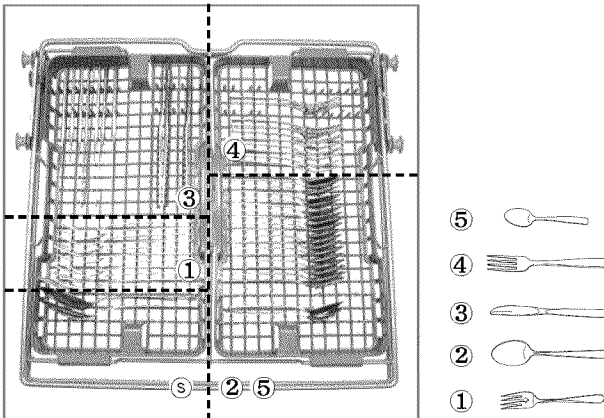
# INSTRUCCIONES DE OPERACIÓN

## CARGA DE LA BANDEJA PARA CUBIERTOS

La bandeja para cubiertos es perfecta para muchos utensilios de cocina y de servicio.

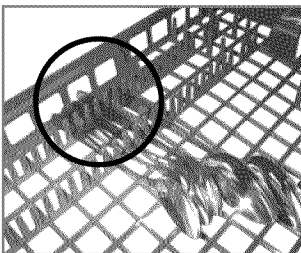


Los separadores de las bandejas para cubiertos ayudan a mantener los utensilios de cocina separados para evitar daños y mejorar la limpieza.

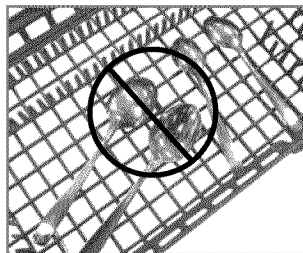


10 servicios colocados en la bandeja superior

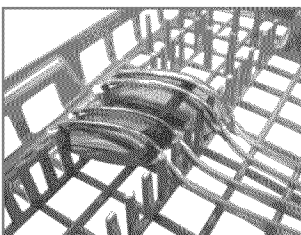
Knife, fork, and spoon handles should be positioned between the tines.



Correcto



Incorrecto

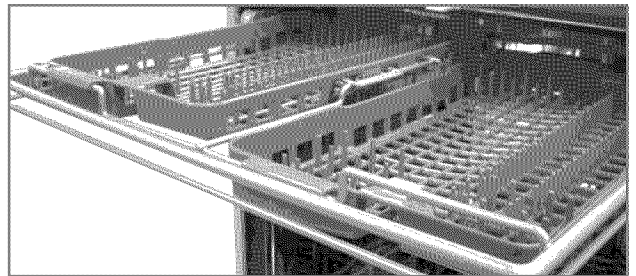
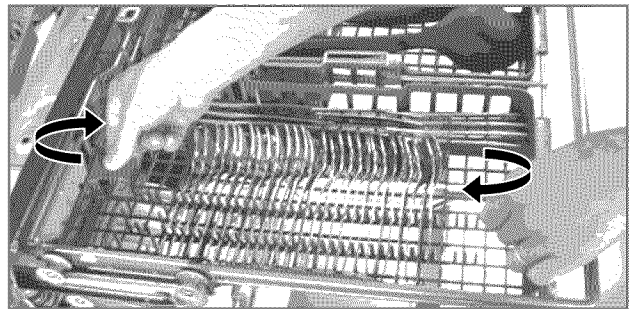


Invertir

Si los mangos de sus ollas o sartenes son demasiado gruesos, invierta las piezas para que éstos miren en otra dirección, como indica la figura inferior.

## BANDEJA DE ALTURA AJUSTABLE

Cada rejilla lateral puede ajustarse independientemente a una posición superior o inferior para acomodarse a objetos de diferentes tamaños. Puede ajustar las rejillas levantándolas y girando la parte frontal hacia atrás.

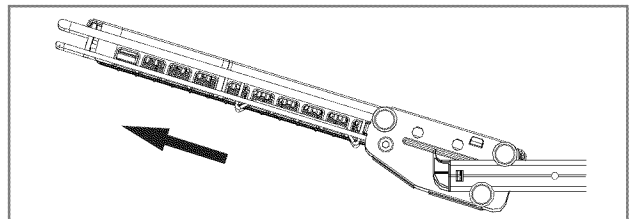


### Rejilla para cubiertos extraíble

Si desea colocar utensilios grandes, deberá sacar la bandeja de cubiertos para dejar espacio extra.

### NOTE :

Siempre saque los cubiertos de la bandeja antes de sacarla.



Extraiga la rejilla hasta el extremo de los rieles, después levante la parte frontal para que las ruedas eviten el tope final del riel. Ahora ya puede deslizar la rejilla hacia fuera y sacarla de los rieles.

## ⚠️ ADVERTENCIA

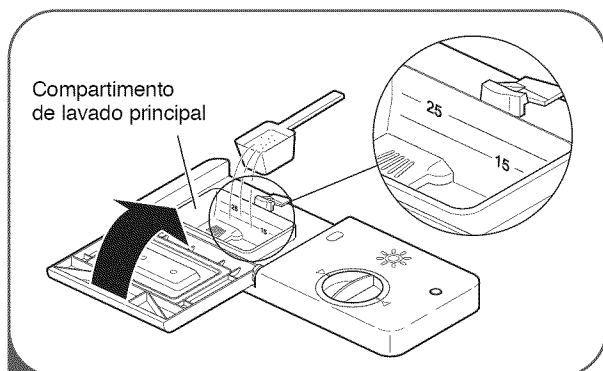
Tenga cuidado durante la carga y descarga de objetos afilados. Cargue los cuchillos con la hoja hacia abajo, para reducir el riesgo de lesiones.

# INSTRUCCIONES DE OPERACIÓN

## CÓMO AGREGAR DETERGENTE AL DISPENSADOR

- Debe colocarse detergente en el compartimento de detergente antes de comenzar cualquier ciclo con excepción de Rinse Only (sólo enjuague).
- Si los platos sólo estuvieran ligeramente sucios, use menos detergente.
- La capacidad total del compartimento de detergente principal es de 1.4 oz (40 ml). Las marcas recomendadas del dispensador son 0.5 oz (15 ml) y 0.9 oz (25 ml). Utilizar un exceso de detergente puede dejar una película sobre los platos y en el lavaplatos, lo que provoca un desempeño pobre de lavado.
- La cantidad de detergente necesario depende del ciclo, el tamaño de la carga y el nivel de suciedad de los platos.

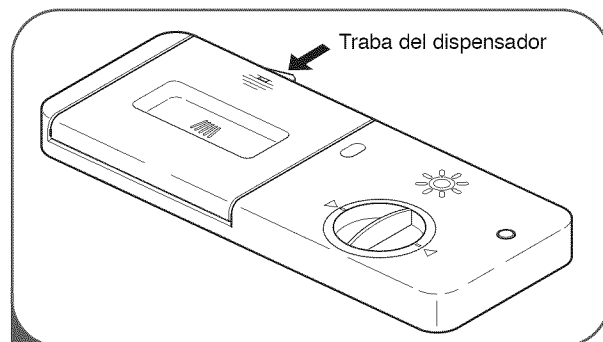
**NOTA :** Retire la etiqueta del dispensador antes de poner en funcionamiento el lavavajillas.



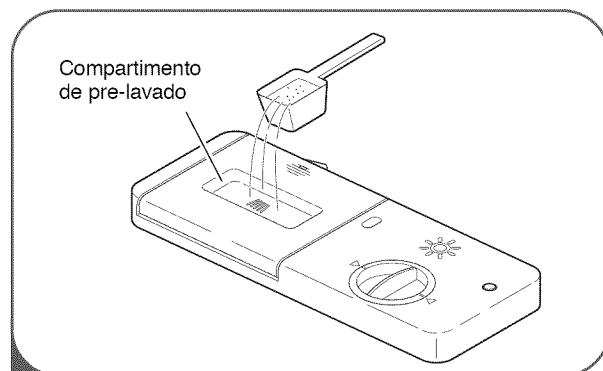
- 2** Añada detergente para lavavajillas al compartimento de lavado principal hasta que el nivel esté entre las líneas 15 y 25. Rellene hasta la línea 25 para aguas duras o para cargas muy sucias o hasta la línea 15 para aguas blandas o cargas ligeramente sucias. Ajuste la cantidad de detergente para alcanzar mejor sus necesidades y condiciones de limpieza.

Cierre firmemente la tapa hasta oír un “clic”.

**NOTA: NO** agregue detergente cuando se selecciona el ciclo Rinse Only (Sólo enjuague).



- 1** Si la tapa se encuentra cerrada, presione la palanca sobre el lado inferior de la tapa para abrir el dispensador.



- 3** Si se desea prelavado, llene con detergente el espacio del compartimento de prelavado sobre la tapa.

**NOTA:** Demasiado detergente puede dejar una película sobre los platos y en el lavaplatos, lo que provoca un desempeño pobre de lavado.

## **⚠ PRECAUCIÓN** **INFORMACIÓN SOBRE EL DETERGENTE**

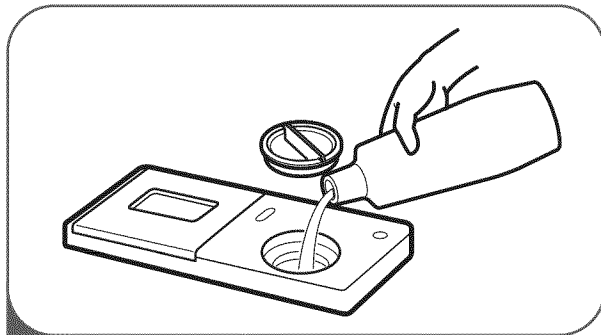
Sólo utilice detergente creado para lavaplatos automáticos. El detergente incorrecto puede hacer que el lavaplatos se llene de espuma durante el funcionamiento. La espuma excesiva puede reducir el desempeño de lavado y puede generar pérdidas en la unidad. **NO USE** detergente para lavar a mano en el lavaplatos.

# INSTRUCCIONES DE OPERACIÓN

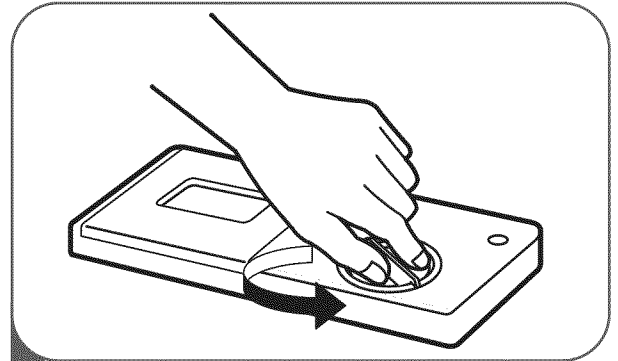
## CÓMO AGREGAR AGENTE DE ENJUAGUE AL DISPENSADOR

Se recomienda el uso de agentes de enjuague para evitar la presencia de manchas en los platos debido a las gotas de agua que quedan después de finalizado el ciclo de lavado, y para mejorar el desempeño del ciclo de secado.

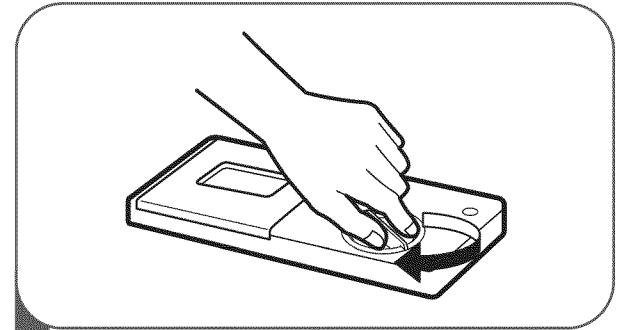
**NOTA:** Sólo use agente de enjuague líquido en este lavaplatos.



- 2** Agregue un agente de enjuague líquido hasta el nivel de llenado máximo (máx. 4,8 oz [145 ml]).

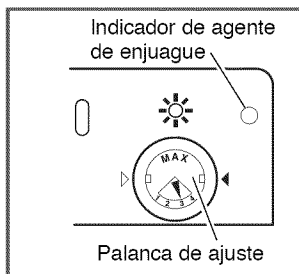


- 1** Gire la tapa redonda en sentido contrario a las agujas del reloj para quitarla.



- 3** Vuelva a colocar la tapa y gire en sentido de las agujas del reloj para trazarla. El agente de enjuague se dispensará automáticamente durante el ciclo de enjuague final.

### AJUSTE DEL DISPENSADOR DE AGENTE DE ENJUAGUE



El dispensador de agente de enjuague tiene una configuración de fábrica de nivel 3, que debería ofrecer el mejor desempeño en la mayoría de las condiciones. Configurar el control de agente

de enjuague en un nivel muy bajo contribuirá a la formación de manchas y vetas en los platos y a un pobre desempeño de secado. Configurar el control a un nivel demasiado alto puede provocar espuma, lo que generará un pobre desempeño de lavado.

Para ajustar la configuración del dispensador de agente de enjuague, quite la tapa y ajuste la palanca de agente de enjuague en la configuración deseada.

### CÓMO RELLENAR EL AGENTE DE ENJUAGUE

La capacidad del dispensador de agente de enjuague es de 4,8 oz (145 ml). La regularidad con la que se debe rellenar depende de la regularidad con que se lavan los platos y de la configuración de agente de enjuague utilizada.

Si el nivel de agente de enjuague es bajo, se iluminará la luz de agente de enjuague del panel de control.

#### **NOTA:**

**El dispensador también cuenta con un indicador de agente de enjuague que se encuentra oscuro cuando el dispensador está lleno y claro cuando esté vacío.**

Para mejores resultados, resulta importante controlar y cuidar los filtros y brazos de pulverización en forma periódica.

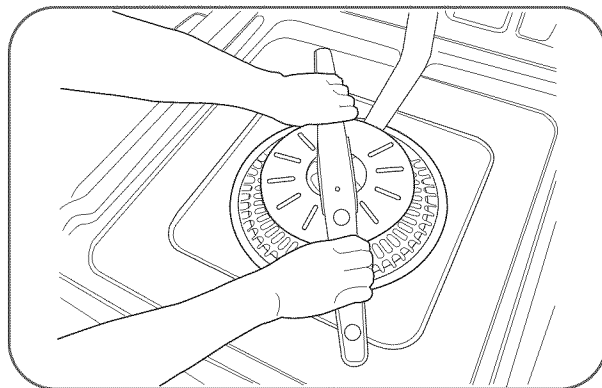
**⚠ ADVERTENCIA** Para evitar lesiones durante el cuidado y mantenimiento/limpieza, use guantes y/o vestimenta de protección.

## LIMPIEZA DE LAS PIEZAS METÁLICAS

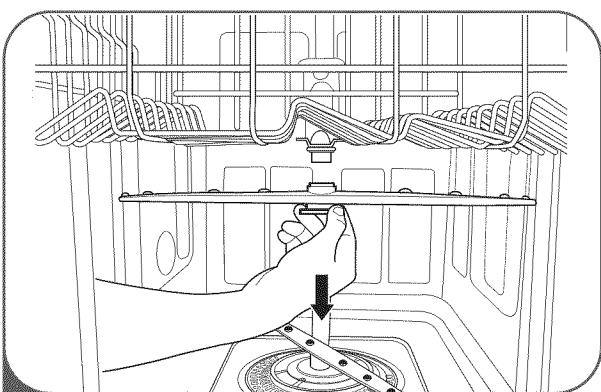
Algunas piezas exteriores e interiores pueden limpiarse con un paño o esponja húmedos. Puede formarse una película oscura sobre la superficie del tambor de acero inoxidable, especialmente con agua dura.

## LIMPIEZA DEL BRAZO DE PULVERIZACIÓN INFERIOR

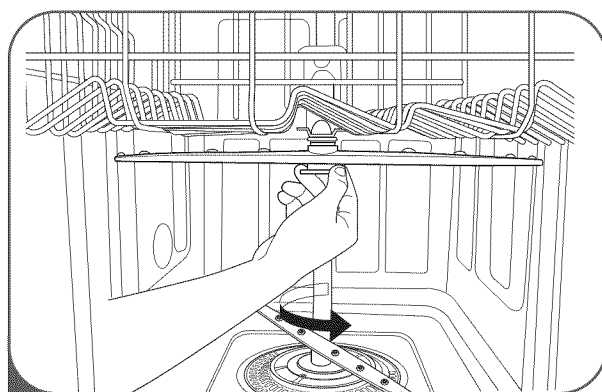
- Asegúrese de que los orificios de chorros de agua no se encuentren bloqueados con partículas de alimentos.
- Cuando la limpieza sea necesaria, quite el brazo de pulverización inferior tirando de él hacia arriba.
- Después de limpiar el brazo de pulverización inferior, vuelva a colocarlo presionándolo hacia abajo hasta que se trabe en su lugar. Asegúrese de que el brazo de pulverización gire libremente.



## LIMPIEZA DEL BRAZO DE PULVERIZACIÓN SUPERIOR



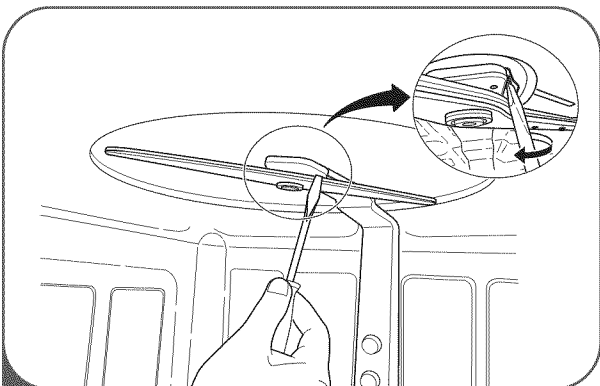
- 1** Tire de la bandeja superior hacia delante. Asegúrese de que los orificios de chorros de agua no se encuentren bloqueados con partículas de alimentos. Cuando la limpieza sea necesaria, quite el brazo de pulverización superior girando la tuerca de la parte inferior del brazo de pulverización en un giro de 1/8 en sentido contrario a las agujas del reloj y tirando hacia abajo (ver ilustraciones).



- 2** Después de limpiar el brazo de pulverización superior, presiónelo hacia arriba en su lugar. Gire la tuerca en 1/8 de giro en sentido de las agujas del reloj para verificar que la tuerca se trabe en su lugar.

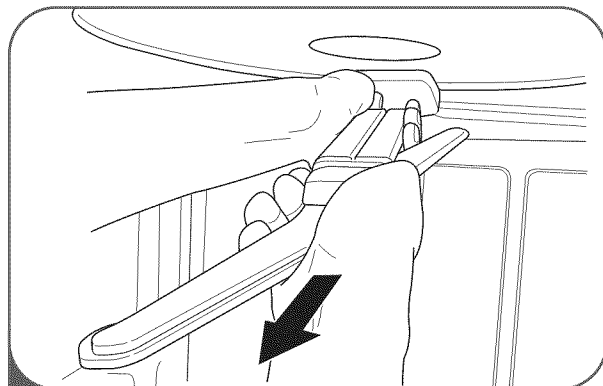
# CUIDADO Y LIMPIEZA

## LIMPIEZA DEL BRAZO DE PULVERIZACIÓN MÁS ELEVADO

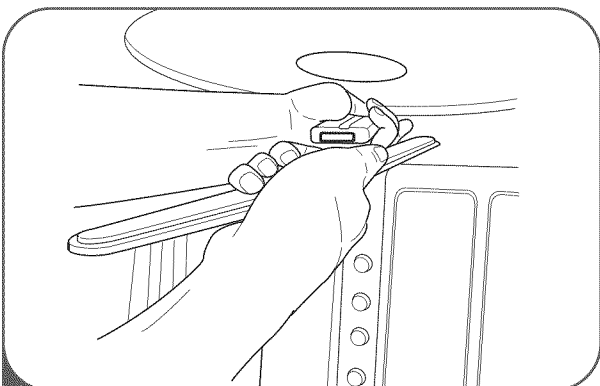


- 1 Asegúrese de que los orificios de chorros de agua no se encuentren bloqueados con partículas de alimentos.

Cuando la limpieza sea necesaria, utilice un destornillador para liberar el gancho de retención del soporte que sostiene el montaje del brazo de pulverización más elevado al tambor.



- 2 Luego tire del brazo de pulverización hacia afuera.



- 3 Luego de limpiar el brazo de pulverización más elevado, vuelva a colocarlo. Deslícelo en su lugar y asegúrese de que se trabe el gancho de retención.

## MANTENIMIENTO ESTACIONAL Y ALMACENAMIENTO

- Durante el verano, si va a ausentarse por períodos de tiempo prolongados, se recomienda que cierre la válvula de agua y desenchufe el cable de energía, o desconecte el interruptor de circuitos.
- Durante el invierno, si va a ausentarse por períodos de tiempo prolongados y si existe la posibilidad de temperaturas bajo cero, se recomienda que coloque aislación térmica en las líneas de suministro de agua y en el lavaplatos mismo. Sólo personas de reparación experimentadas deben efectuar su adaptación para el invierno.

# DETECCIÓN DE PROBLEMAS

## ANTES DE SOLICITAR SERVICIO TÉCNICO

Problema	Causas posibles	Soluciones
<b>El lavaplatos no funciona</b>	La puerta no está bien cerrada.	Asegúrese de que la puerta esté bien cerrada y trabada.
	El suministro de energía o el cable de energía no se encuentran conectados.	Conecte el suministro de energía o el cable correctamente.
	Fusible quemado o interruptor de circuitos accionado.	Cambie los fusibles o reconfigure los interruptores.
<b>El lavaplatos funciona durante mucho tiempo</b>	La unidad está conectada al agua fría.	Verifique la conexión de suministro de agua o la configuración del calentador de agua. (Calentar agua fría lleva más tiempo.)
<b>Olor</b>	El ciclo previo se detuvo antes de finalizar.	Utilice el ciclo de lavado rápido con detergente sin cargar platos.
<b>Queda agua en el tambor después de finalizar el ciclo</b>	La manguera de desagüe está torcida o tapada.	Ajuste la manguera o destape la obstrucción.
<b>Manchas y película grasosa en los platos</b>	Baja temperatura de agua.	El suministro de agua debe ser por lo menos 120°F para un mejor desempeño de lavado.
	Cantidad equivocada de detergente.	Utilice la cantidad recomendada de detergente.
	Carga excesiva.	Cargue la cantidad adecuada de platos.
	Carga inadecuada.	Ver la sección Cómo usar su lavaplatos.
	Presión de agua insuficiente.	Ajuste la presión de agua entre 20 y 120 psi.
	Cantidad insuficiente de detergente.	Agregue la cantidad recomendada de detergente. Ver la sección Cómo usar su lavaplatos.
	El dispensador de agente de enjuague está vacío.	Rellene el dispensador de agente de enjuague.
<p><b>Agua extremadamente dura.</b></p> <p>La mejor forma de eliminar las manchas de la vajilla consiste en instalar un filtro que reduzca la dureza del agua en su domicilio. (ablandar el agua). Si ya cuenta con un filtro de agua o no piensa instalar uno, pruebe seleccionar una opción de enjuague adicional "Extra Rinse" como parte del ciclo de lavado, con el fin de minimizar este problema. Para incorporar un enjuague adicional al ciclo, seleccione el ciclo de lavado y en seguida pulse el botón del enjuague adicional.</p> <p><b>Nota:</b> Al seleccionar "Extra Rinse", se incrementarán el tiempo del ciclo de lavado y el consumo de agua aumentan con respecto al modo de uso normal.</p> <p><b>Para eliminar de la tina las incrustaciones producidas por el agua dura.</b></p> <p>Extraiga del lavavajillas todos los platos, los cubiertos y el cesto de los cubiertos. En la tina solo deberán quedar las cestas. Llene una taza medidora con aproximadamente 400-500 ml de vinagre blanco, y coloque la taza medidora en la cesta inferior. Elija un ciclo "Normal", seleccione las funciones "Extra Rinse" (Enjuague adicional) y "Sanitary" (Sanitario) y cierre la puerta. <b>NÓ UTILICE DETERGENTES</b></p> <p><b>Nota:</b> Asegúrese de que el lavavajillas realiza el ciclo completo de lavado. El método de limpieza solo debe realizarse cuando se considere necesario.</p>		
<b>Quedan residuos en los platos</b>	Selección inadecuada de ciclo.	Seleccione el ciclo correcto en base al nivel de suciedad y al tipo de vajilla.
	La temperatura del agua es muy baja.	Verifique la conexión de suministro de agua o la configuración del calentador de agua.
	No se usó detergente para lavaplatos.	Use el detergente recomendado.
	Presión de agua baja en la entrada.	La presión de agua debe hallarse entre 20 y 120 psi.

Si usted ha seguido esta guía de detección de problemas y aún así el problema persiste, o si el problema que está experimentado no se encuentra listado aquí, llame al Servicio de Atención al Cliente de LGE al 1-800-243-0000(US), 1-888-542-2623(Canada).

# DETECCIÓN DE PROBLEMAS

## ANTES DE SOLICITAR SERVICIO TÉCNICO (cont.)

Problema	Causas posibles	Soluciones
<b>Quedan residuos en los platos</b>	Los orificios de chorros de agua de los brazos de pulverización se encuentran bloqueados.	Limpie los brazos de pulverización.
	Carga inadecuada de los platos.	Verifique que los platos no bloqueen la rotación del brazo de pulverización ni interfieran con el dispensador de detergente.
<b>Ruido</b>	Un nivel de ruido es normal durante el funcionamiento.	Apertura de la tapa de detergente. Drene la bomba al comienzo del ciclo de drenaje.
	El lavaplatos no está nivelado.	Ajuste las patas de nivelación.
	El brazo de la boquilla se golpea contra los platos.	Cambie la posición de los platos.
<b>Turbidez en los elementos de vidrio</b>	Combinación de excesivo detergente y agua blanda.	Use menos detergente y un agente de enjuague para minimizar el problema.
<b>Marcas negras o grises en los platos</b>	Elementos de aluminio rozan los platos durante el ciclo.	Cambie la posición de los platos.
<b>Una película amarilla o marrón en las superficies internas del lavaplatos</b>	Manchas de café o té.	Elimine la mancha mediante un producto removedor de manchas.
<b>Los platos no se secan</b>	El dispensador de agente de enjuague está vacío.	Verifique y rellene el dispensador de agente de enjuague.
<b>Las lámparas no iluminan</b>	El aparato no está conectado al tomacorriente.	Conecte el suministro de energía.
	Fusible quemado o interruptor de circuitos accionado.	Cambie los fusibles o reconfigure los interruptores.
<b>Los brazos de pulverización no giran bien</b>	Los orificios de los brazos de pulverización se encuentran bloqueados con partículas de alimentos.	Limpie los orificios de los brazos de pulverización.
<b>La bandeja superior está torcida</b>	La bandeja está mal ajustada.	Ver la sección Cómo usar su lavaplatos.
<b>Error IE</b>	Problema en la entrada de agua.	Verifique que la manguera de entrada de agua no esté bloqueada, torcida o congelada. Controle el suministro de agua.
<b>Error OE</b>	Problema de drenaje.	Verifique que la manguera de drenaje no esté bloqueada, torcida o congelada.
<b>Error FE</b>	Suministro excesivo de agua.	Tenga a bien llamar al Centro de Servicio Autorizado o al Centro de Atención al Cliente de LGE al 1-800-243-0000(US), 1-888-542-2623(Canada).
<b>Error E1</b>	Problema de pérdida de agua.	
<b>Error HE</b>	Falla en el circuito calentador.	
<b>Error TE</b>	Falla del termistor o temperatura de agua de entrada muy elevada (más de 194°F).	
<b>En la pantalla puede verse PF</b>	El lavaplatos sufrió un corte de energía.	Esto no es un error. El lavaplatos se reiniciará automáticamente después de 10 segundos.

Si usted ha seguido esta guía de detección de problemas y aún así el problema persiste, o si el problema que está experimentado no se encuentra listado aquí, llame al Servicio de Atención al Cliente de LGE al 1-800-243-0000(US), 1-888-542-2623(Canada).

## ESPECIFICACIONES

- Suministro de energía: 120V, 60 Hz AC solamente, interruptor de circuitos mínimo 15A
- Presión de agua: 20–120 psi (140–830 kPa)
- Tamaño (AxPxA): 23 3/4" x 24 5/8" x 33 1/2" (603 mm x 625 mm x 851 mm)
- Temperatura de entrada de agua: 120°F (49°C) mínimo
- Peso: 114 lbs.(51.7kg)

La apariencia y especificaciones pueden sufrir cambios sin previo aviso.



# LG ELECTRONICS, INC. GARANTÍA LIMITADA DEL LAVAPLATOS – EE.UU.



Si su lavaplatos LG llegara a tener defectos en los materiales o mano de obra bajo un uso normal durante el periodo de garantía establecido a continuación, vigente desde la fecha original de compra del producto, LG Electronics reemplazará las piezas defectuosas. Las piezas de reemplazo tendrán las mismas características y funciones de la pieza original. Las piezas de reemplazo tienen garantía durante el tiempo restante del periodo de garantía original. Esta garantía limitada solamente cubre al comprador original del producto y tiene vigencia sólo cuando se lo utilice en los EE.UU.

<b>PERÍODO DE GARANTÍA:</b>	
<b>Por el periodo de:</b> <b>Dos años</b> desde la fecha de compra original	<b>LG reemplazará:</b> <b>Cualquier pieza</b> del lavaplatos que falle debido a un defecto de los materiales o mano de obra. Durante esta <b>garantía de dos años</b> , LGE también ofrece, <b>en forma gratuita</b> , la mano de obra y trabajos en el lugar para reemplazar la pieza defectuosa.
<b>Cinco años</b> desde la fecha de compra original	<b>El tablero de control electrónico y las bandejas del lavaplatos</b> que fallen debido a un defecto de los materiales o mano de obra. Durante esta <b>garantía de piezas de cinco años</b> , usted será responsable de cualquier clase de costos de mano de obra o trabajos en el lugar.
<b>Diez años</b> desde la fecha de compra original	<b>Direct Drive motor</b> que falla debido a un defecto en material o mano de obra. Durante estos <b>diez años de garantía</b> , usted será responsable de cualquier trabajo o costo de servicio.
<b>Limitada de por vida</b>	<b>El revestimiento de la puerta y el tambor de acero inoxidable</b> (siempre y cuando sea propiedad del comprador original) que fallen debido a un defecto de los materiales o mano de obra. Durante esta <b>garantía de piezas limitada de por vida</b> , usted será responsable de cualquier clase de costos de mano de obra o trabajos en el lugar.

Las unidades de reemplazo y las piezas de reparación pueden ser nuevas o refabricadas. Las unidades de reemplazo y las piezas de repuesto están cubiertas por la garantía durante el tiempo restante del periodo de garantía de la unidad original.

**Ninguna otra garantía es aplicable a este producto. ESTA GARANTÍA REEMPLAZA CUALQUIER OTRA GARANTÍA, EXPRESA O IMPLÍCITA, INCLUYENDO, SIN LIMITACIÓN, CUALQUIER GARANTÍA DE COMERCIABILIDAD O APTITUD PARA UN OBJETIVO PARTICULAR. EN LA MEDIDA EN QUE CUALQUIER GARANTÍA IMPLÍCITA SEA REQUERIDA POR LA LEY, SE LIMITA EN DURACIÓN AL PERÍODO DE GARANTÍA EXPRESO ANTERIOR. NI EL FABRICANTE NI SU DISTRIBUIDOR EN LOS EE.UU. SERÁN RESPONSABLES DE DAÑOS INCIDENTALES, RESULTANTES, INDIRECTOS, ESPECIALES O PUNITIVOS DE CUALQUIER NATURALEZA, INCLUYENDO, SIN LIMITACIÓN, GANANCIAS O INGRESOS PERDIDOS, O CUALQUIER OTRO DAÑO EXPRESADO MEDIANTE CONTRATO, EXTRA CONTRACTUALMENTE O DE CUALQUIER OTRA FORMA.** Algunos estados y/o territorios no permiten la exclusión o limitación de daños o limitaciones incidentales o resultantes sobre el tiempo de duración de una garantía implícita, por lo tanto las exclusiones o limitaciones anteriores pueden no aplicarse en su caso. Este garantía otorga al comprador original derechos legales específicos y usted puede contar con otros derechos, que pueden variar de estado a estado o de territorio a territorio.

### **ESTA GARANTÍA LIMITADA NO SE APLICA A:**

1. Visitas a su domicilio para entregar o retirar piezas, instalar, instruir, reemplazar fusibles domésticos, conexión de cableados o cañerías o para corregir reparaciones no autorizadas.
2. Averías del producto durante fallas e interrupciones de energía o servicios eléctricos inadecuados.
3. Daños provocados por transporte o manipulación.
4. Daños al producto provocados por accidentes, alimañas, rayos, viento, incendio, inundaciones o fuerza mayor.
5. Daños provocados por tuberías de agua rotas o con pérdidas, tuberías congeladas, líneas de drenaje restringidas o suministro de agua inadecuada o interrumpida.
6. Daños provocados por suministro de aire inadecuado.
7. Daños provocados por utilizar el producto en una atmósfera corrosiva.
8. Reparaciones cuando su producto LG no se utiliza de una manera normal en una vivienda familiar única o cuando se utiliza sin respetar las instrucciones descritas en la Guía del Usuario del producto.
9. Daños provocados por accidentes, modificaciones, uso indebido, maltrato, o instalación inadecuada, reparación o mantenimiento. Las reparaciones inadecuadas incluyen el uso de piezas no aprobadas o especificadas por LG.
10. Mantenimiento normal como se describe en la Guía de Usuario, como limpieza o reemplazo de filtros, limpieza de serpentinas, etc.
11. Uso de accesorios o componentes no compatibles con este producto.
12. Productos con números de serie modificados o borrados.
13. Cambios en la apariencia del producto que no afecten el desempeño del mismo.
14. Incrementos en los costos de los servicios públicos y gastos adicionales de servicios públicos.

**El costo de la reparación o reemplazo bajo estas circunstancias excluidas quedará a cargo del consumidor.**

### **PARA CONTACTAR A LG ELECTRONICS**

#### **POR CORREO:**

LG Customer Interactive Center  
P. O. Box 240007  
201 James Record Road  
Huntsville, Alabama 35813  
ATTN: CIC

### **Información sobre registro de producto**

Número de modelo: \_\_\_\_\_

Número de serie: \_\_\_\_\_

Usted puede encontrar estos números en una etiqueta ubicada en el costado del lavaplatos.

Fecha de compra: \_\_\_\_\_

Nombre del vendedor: \_\_\_\_\_

# LG ELECTRONICS CANADA, INC.

## GARANTÍA LIMITADA PARA LAVAPLATOS DE LG - Canadá

**GARANTÍA :** En caso de que su lavaplatos de LG (en lo sucesivo, el "Producto") falle debido a un defecto en el material o en la mano de obra bajo condiciones de uso normal en su casa y durante el periodo de garantía establecido a continuación, LG Canadá, a su discreción, reparará o reemplazará el Producto contra entrega de la prueba de compra original. Esta garantía es válida únicamente para el comprador original del producto y aplica únicamente a un Producto distribuido en Canadá por LG o por un distribuidor autorizado del mismo, en Canadá. La garantía únicamente aplica para Productos que se encuentran y que se usan dentro de Canadá.

**PERIODO DE GARANTÍA: (Nota: si no se puede verificar la fecha original de compra, la vigencia de la garantía iniciará a partir de los sesenta (60) días de su fecha de fabricación.)**

Lavaplatos		Garantía Extendida para Componentes (Únicamente Piezas) (Se cobrará mano de obra al consumidor después de un (1) año a partir de la fecha de compra)	
Dos (2) años después de la fecha de compra original.	Dos (2) años después de la fecha de compra original.	Cinco (5) años después de la fecha de compra original.	Diez (10) años después de la fecha de compra original
Piezas	Mano de obra	PCI, cesto, contrapuerta de acero inoxidable, cuba	DD motor
(únicamente piezas internas y funcionales)			

- ⊗ Los productos y piezas de reemplazo están garantizados durante el tiempo restante del periodo de garantía original o bien, durante noventa (90) días, cualquiera que sea mayor.
- ⊗ Los productos y piezas de reemplazo pueden ser nuevos o refabricados.
- ⊗ El Centro de Servicio Autorizado de LG garantiza sus trabajos de reparación durante treinta (30) días.

**LA RESPONSABILIDAD ÚNICA DE LG CANADÁ SE LIMITA A LA GARANTÍA ESTABLECIDA CON ANTERIORIDAD. CON LA EXCEPCIÓN DE LO YA ESTABLECIDO EXPRESAMENTE, LG CANADÁ NO PROPORCIONA Y EN ESTE ACTO NIEGA CUALQUIER OTRA GARANTÍA Y CONDICIÓN EN RELACIÓN CON EL PRODUCTO, YA SEA EXPRESA O IMPLÍCITA, INCLUYENDO, DE MANERA ENUNCIATIVA MAS NO LIMITATIVA, CUALQUIER GARANTÍA O CONDICIÓN DE COMERCIABILIDAD O IDONEIDAD PARA UN PROPÓSITO ESPECÍFICO, Y NINGUNA CLÁUSULA OBLIGARÁ A LG CANADÁ. LG CANADÁ NO AUTORIZA A NINGUNA PERSONA A CREAR O ASUMIR DE SU PARTE CUALQUIER OTRA OBLIGACIÓN DE GARANTÍA O RESPONSABILIDAD EN RELACIÓN CON EL PRODUCTO. EN CASO DE QUE CUALQUIER GARANTÍA O CONDICIÓN RESULTARA IMPLÍCITA POR LEY, ESTARÁ LIMITADA AL PERIODO DE GARANTÍA EXPRESO ESTABLECIDO CON ANTERIORIDAD. LG CANADÁ, EL FABRICANTE O EL DISTRIBUIDOR NO TENDRÁN RESPONSABILIDAD ALGUNA POR CUALQUIER DAÑO INCIDENTAL, EMERGENTE, ESPECIAL, DIRECTO O INDIRECTO, POR CUALQUIER PERDIDA DE CRÉDITO MERCANTIL, GANANCIAS PERDIDAS, DAÑOS PUNITIVOS O EJEMPLARES O CUALQUIER OTRO DAÑO, COMO RESULTADO DIRECTO O INDIRECTO DE CUALQUIER INCUMPLIMIENTO DE CONTRATO, FUNDAMENTAL O NO, O DE CUALQUIER ACTO O OMISIÓN, AGRAVIO O ALGÚN OTRO.** Esta garantía le proporciona derechos legales específicos. Usted puede tener otros derechos que varíen entre las provincias según las leyes provinciales aplicables. Cualquier término de esta garantía que niegue o cambie cualquier disposición o garantía bajo la ley provincial podrá ser retirada en cuanto entre en conflicto con la ley provincial, sin afectar el resto de las condiciones de esta garantía.

### **ESTA GARANTÍA LIMITADA NO CUBRE:**

1. Viajes de servicio para entregar, recoger, o instalar el producto; enseñarle a un cliente cómo operar el producto; la reparación o reemplazo de fusibles, la corrección del cableado, o la corrección de reparaciones / instalaciones realizadas sin autorización.
2. La falta de funcionamiento del producto durante fallas e interrupciones de electricidad o debido a un servicio de electricidad inadecuado.
3. Daño ocasionado por tuberías de agua rotas o con fugas, tuberías de agua congeladas, líneas de drenaje restringidas, suministro de agua inadecuado o suspendido, o el suministro de aire inadecuado.
4. Daño ocasionado por la operación del Producto en un ambiente corrosivo o contrario a las instrucciones establecidas en el manual de usuario del Producto.
5. Daño al Producto ocasionado por accidentes, plagas y animales dañinos, rayos, viento, fuego, inundaciones o casos fortuitos.
6. Daño ocasionado por el mal uso, abuso, instalación, reparación o mantenimiento incorrectos del Producto. La reparación incorrecta incluye el uso de piezas no aprobadas o no especificadas por LG Canadá.
7. Daño o falla del producto ocasionados por una modificación o alteración realizada sin autorización, o su uso para propósitos distintos a los pretendidos, o bien como resultado de cualquier fuga de agua debido a su instalación incorrecta.
8. Daño o falla del producto ocasionados por una corriente eléctrica o voltaje incorrecto, su uso comercial o industrial, o el uso de accesorios, componentes o productos de limpieza que no estén aprobados por LG Canadá.
9. Daño ocasionado por su transportación y manejo, incluyendo rayones, abolladuras, desportilladuras y/u otro daño al acabado del producto, a menos que tal daño esté ocasionado por defectos en los materiales o por la mano de obra y que haya sido denunciado en un periodo de una (1) semana después de su entrega.
10. Daño o artículos que falten en cualquier Producto de exhibición, en caja abierta, en descuento o reacondicionado.
11. Productos con números de serie originales que se hayan quitado, alterado o que no se puedan establecer fácilmente. Se requieren los números de modelo y de serie, junto con el recibo de venta original, para validar la garantía.
12. Aumentos en costos de servicios públicos y otros gastos para servicios públicos.
13. Reemplazo de focos, filtros u otros consumibles.
14. Reparaciones cuando su Producto se use en condiciones que no sean de uso normal en su casa (incluyendo, de manera enunciativa, su uso comercial, en oficinas o en instalaciones recreativas) o de manera contraria a las instrucciones establecidas en el manual de usuario del Producto.
15. Costos asociados con la extracción del Producto de su casa para reparaciones.
16. La extracción y reinstalación del Producto en el caso de estar instalado en un lugar inaccesible, o de no estar instalado de acuerdo con las instrucciones de instalación publicadas, incluyendo los manuales de usuario y de instalación del Producto.
17. Accesorios del Producto tales como canastillas para puertas, cajones, manijas, repisas, etc. También excluye las piezas que no sean las que se incluyeron originalmente con el Producto.

Todos los costos asociados con las condiciones de exclusión arriba mencionadas se pagarán por parte del consumidor.

**Para mayores detalles sobre la garantía y servicio al cliente, favor de llamar o visitar nuestro sitio Web:**

Llame al 1-888-542-2623 (las 24 horas al día, los 365 días del año) y seleccione la opción apropiada del menú o visite nuestro sitio Web: <http://www.lg.ca>

**Escriba la información sobre su garantía a continuación:**  
**Información de Registro de Producto:**

**Modelo:**

**Número de serie:**

**Fecha de compra:**



LG Customer Information Center

1-800-243-0000 USA

1-888-542-2623 CANADA

Register your product Online!

[www.lge.com](http://www.lge.com)