



Frigidaire

Factory Parts Catalog

Product No.	CPLMV169DCG
Market	Canada
Color	stainless steel
Volts	120
Watts	1000
Wiring Diagram	5995503546
Owner's Guide	TINSEB380MRR2
Installation Instructions	316137234

 **Electrolux**

Electrolux Major Appliances
North & Latin America
5855 TERRY FOX WAY
MISSISSAUGA, ONTARIO, CANADA L5V
3E4

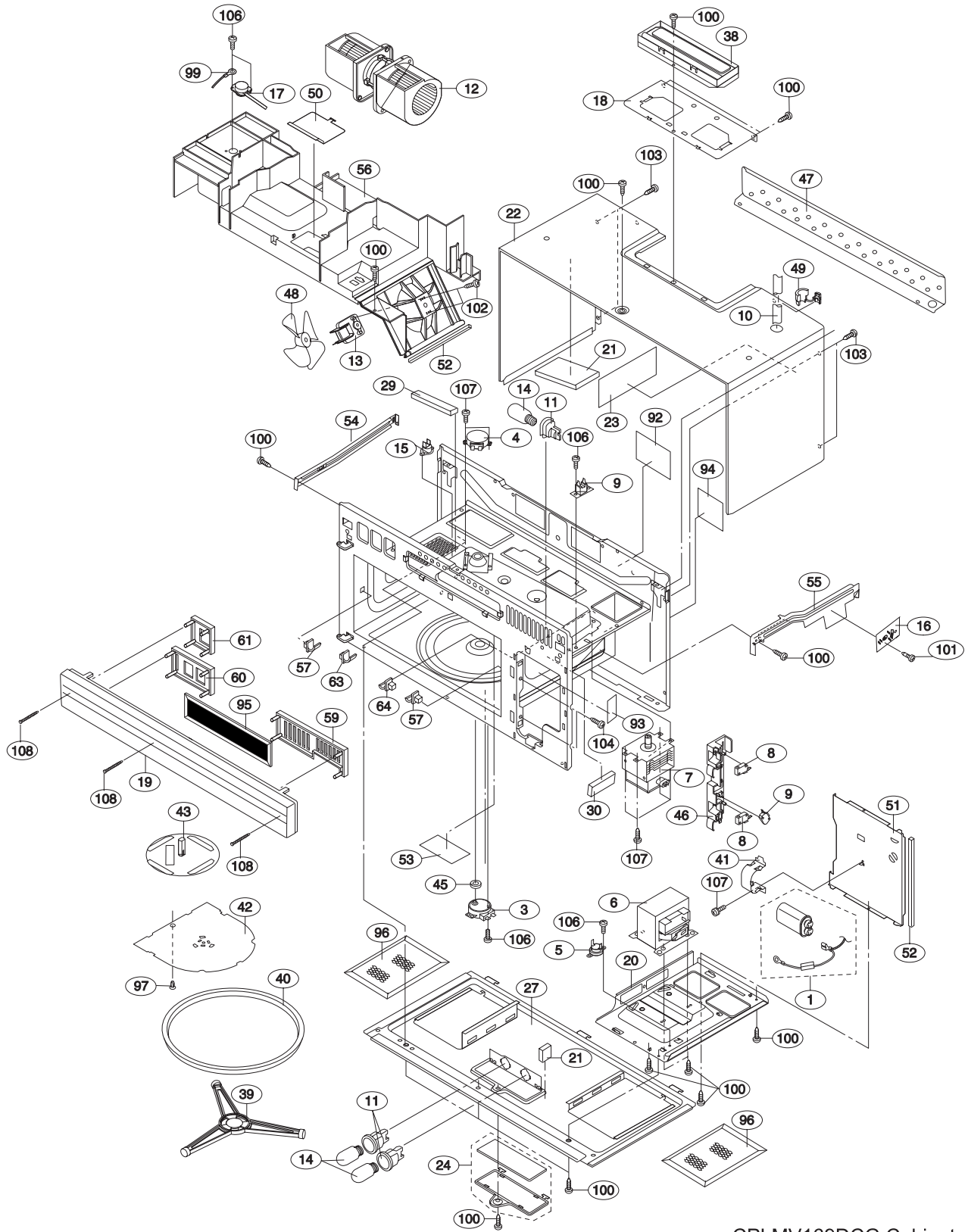
Publication No.
5995503546
07/11/05
(EN/SERVICE/KC)
099

**OVER-RANGE
MICROWAVE**

Model No.
CPLMV169D

Copyright © 2007 Electrolux Home Products, Inc.
All rights reserved.

OVEN, CABINET

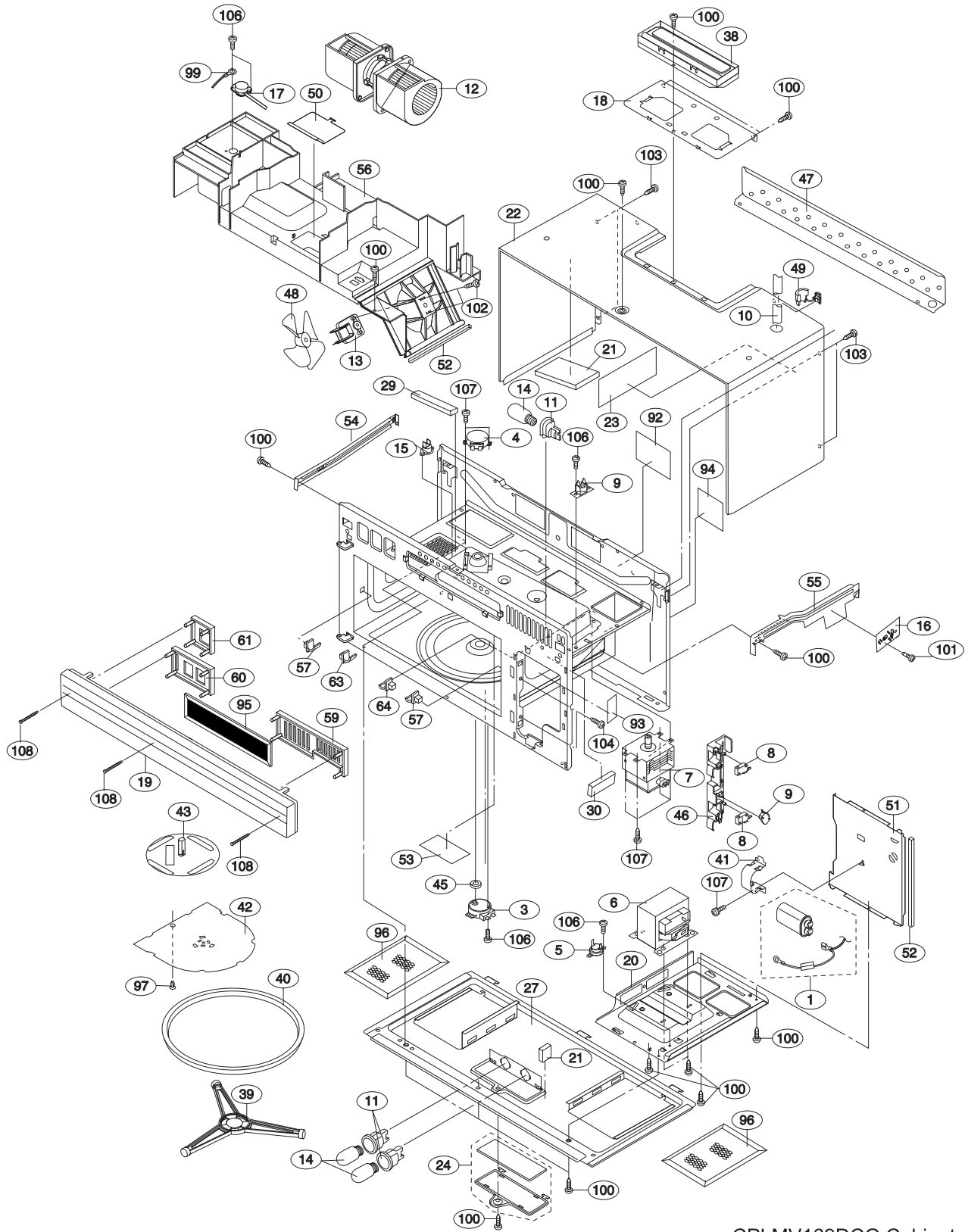


CPLMV169DCG Cabinet

OVEN,CABINET

POS. NO	PART NO.	DESCRIPTION
1 #	5304464687	Capacitor Assy, HV, w/rectifier
3 #	5304448488	Motor, turntable
4 #	5304448489	Motor, stirrer fan
5 #	5304440023	Thermal Cutout, hood
6 #	5304440024	Transformer, power
7 #	5304463439	Magnetron
8 #	5304440026	Switch, interlock, door sensor
9 #	5304440027	Switch Kit, monitor, with CT fuse
10 #	5304440028	Power Cord, electric
11 #	5303319561	Receptacle, lamp socket, oven
12 #	5304440029	Motor, hood fan
13 #	5304448490	Motor, cooling fan
14	5304440031	Lamp, incandescent, 20 W, (3)
15 #	5304440032	Thermal Cutout, oven cavity
16 #	5303322968	Filter, noise, electronic
17 #	5304440033	Sensor, humidity, cook control
18	5304440232	Plate, rear stay
19	5304454540	Grille, exhaust, stainless steel
20	5304464340	Base, transformer, right side
21	5304440237	Cushion, cabinet
22	5304445465	Cabinet, outer casing, black
23	5304440344	Wiring Diagram, schematic
24	5303319573	Lens/Frame Assy, lamp
27	5304464341	Cover, unit base, black
29	5304441369	Cushion, cavity top pnl
30	5304441370	Cushion, magnetron pad
38	5304464343	Damper Assembly, exhaust
39	5304440284	Support Assy, turntable
40	5304440285	Tray, turntable, glass
41	5303319587	Retainer, capacitor strap
42	5304440286	Cover, stirrer fan
43 #	5304440287	Stirrer Assembly
45	5304440288	Bushing, motor shaft, turntable
46	5304440289	Latch Hook
47	5304464344	Bracket, unit mtg plate, rear
48 #	5304440291	Fan Blade, mag cooling fan
49	5303319605	Bushing, grommet, power cord
50	5304440292	Cover, oven lamp
51	5304440293	Duct, hood intake, right side
52	5304440294	Cushion, intake duct
53	5304440295	Lens, lamp filter
54	5304461366	Support, chassis, left side
55	5304461367	Support, chassis, right side
56	5304440298	Duct, exhaust hood
57	5304440299	Support, rack, front
59	5304459558	Cover A, grille louver
60	5304464347	Cover B, grille louver
61	5304464348	Cover C, grille louver
63	5304441371	Support, rack, left rear
64	5304441372	Support, rack, right rear
92	5304440333	Label, Caution-DHHS

OVEN, CABINET



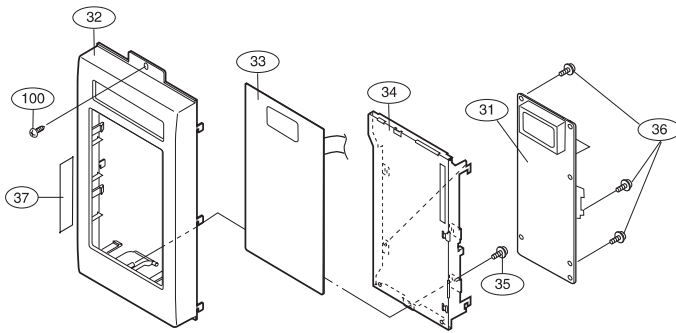
CPLMV169DCG Cabinet

OVEN,CABINET

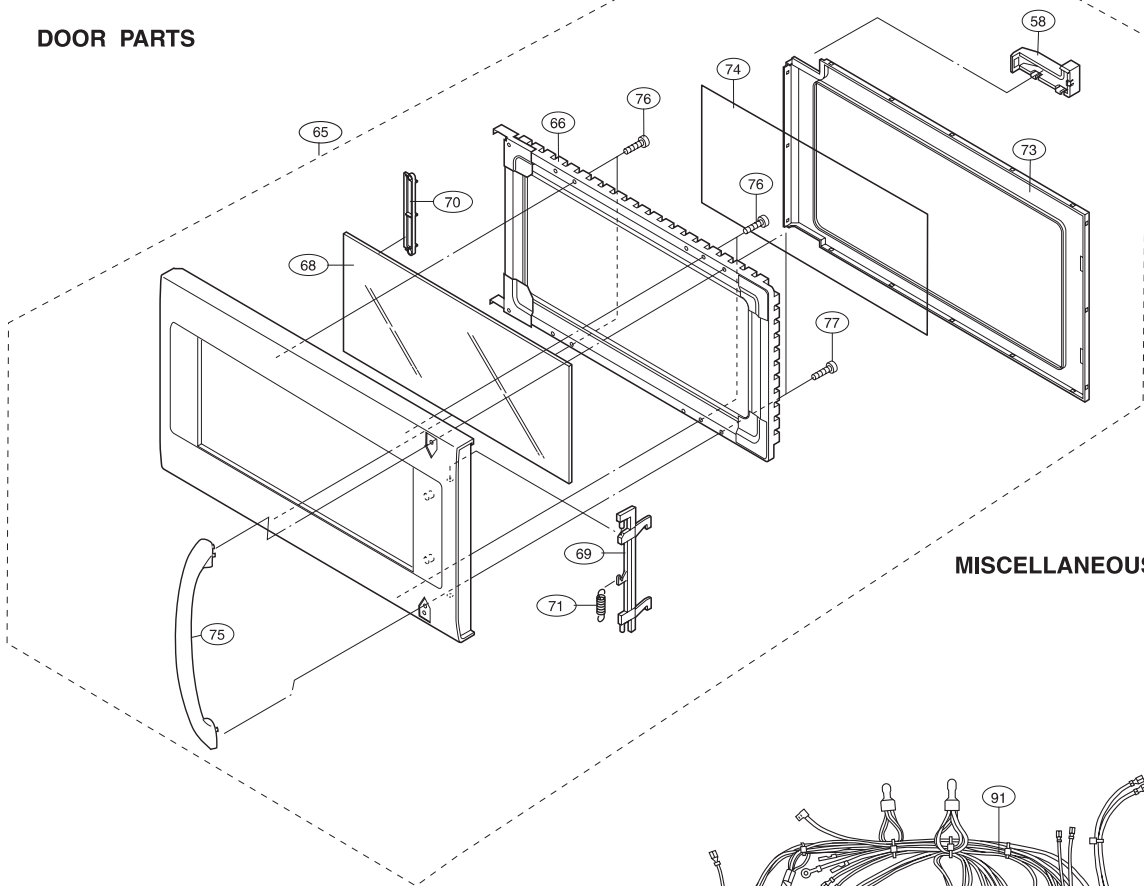
POS. NO	PART NO.	DESCRIPTION
93	5304440334	Label, Caution-monitor
94	5304440348	Label, Caution-NHW
95	5304440335	Filter, inside exhaust, charcoal
96	5303319568	Filter, grease, (2)
97	5304440337	Clip, canoe type, stirrer cover
99 #	5304440339	Wire, sensor ground
100	5304440340	Screw, 4mm x 12mm
101	5304451553	Screw, 4 mm x 12 mm
102	5304462830	Screw, 4mm x 8mm
103	5303319639	Screw, wrapper, back
104	5303319641	Screw
106	5304453725	Screw, 3mm x 8mm
107	5303319636	Screw
108	5303319640	Screw, black

CONTROL PANEL, DOOR, MISC.

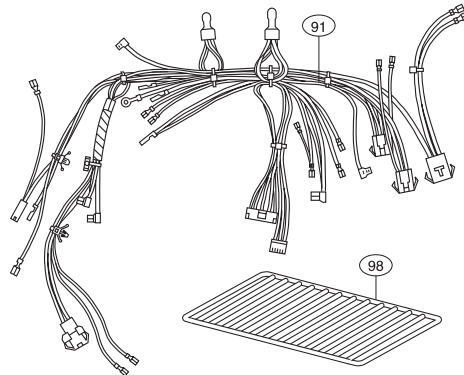
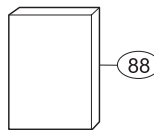
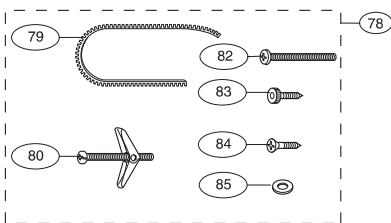
CONTROL PANEL PARTS



DOOR PARTS



MISCELLANEOUS



CPLMV169DCG controls

CONTROL PANEL,DOOR,MISC.

POS. NO	PART NO.	DESCRIPTION
31 #	5304440245	Control Board, printed circuit
32	53044448491	Frame, control panel, stainless steel
33 #	5304443991	Touch Control, key pad, white
34	5304440281	Panel, control mount
35	5304458568	Screw, 3 mm x 10 mm
36	5304456930	Screw, 3 mm x 10 mm
37	5304440346	Label, User Caution
58	5304440300	Door Stop
65	5304448492	Door Assy, complete, stainless steel, with handle
66	5304440305	Panel, inner door, black
68	5304440311	Panel, glass, door front
69	5304440314	Latch, door
70	5304440315	Clip, glass retainer, door
71	5304440316	Spring, door latch
73	5304440320	Frame, choke cover, inner door
74	5304440321	Seal, door, film
75	5304440322	Handle, door, stainless steel
76	5304451561	Screw, 4 mm x 8 mm
77	5304458213	Screw, 4 mm x 12 mm
78	5304464349	Hardware, installation, kit
79	5303318761	Sleeve, power cord, grommet
80	5303318762	Screw, toggle
82	5304453895	Screw, 5mm x 85mm
83	5304451553	Screw, 4 mm x 12 mm
84	5304453723	Screw, 5mm x 35mm
85	5304453724	Washer
88	5304451830	Template, installation, top
88	5304464350	Template, installation, wall
91 #	5304464351	Wiring Harness, main
98	5304440338	Rack, microwave oven, wire
100	5304440340	Screw, 4mm x 12mm

WIRING SCHEMATIC

SCHEMATIC
NOTE: CONDITION OF OVEN
1. DOOR CLOSED
2. CLOCK APPEARS ON DISPLAY

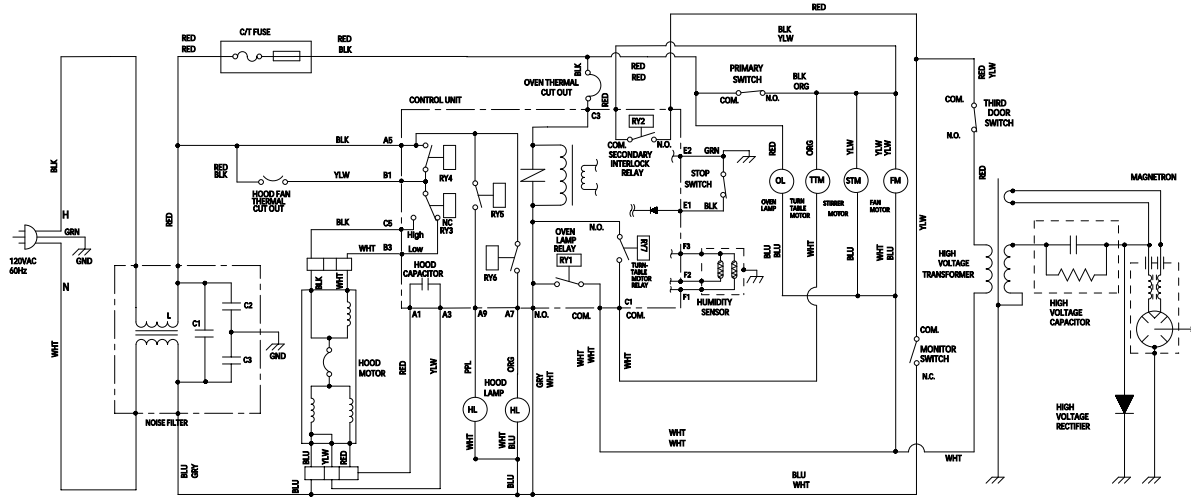


Figure O-1. Oven Schematic-Off Condition

SCHEMATIC
NOTE: CONDITION OF OVEN
1. DOOR CLOSED
2. COOKING TIME PROGRAMMED
3. VARIABLE COOKING CONTROL "HIGH"
4. "START" PAD TOUCHED

