



---

# MICROWAVE OVEN BUILT-IN TRIM KIT INSTALLATION INSTRUCTIONS

For countertop microwave oven model MT4110RP

---

## MICROWAVE OVEN SAFETY

**Your safety and the safety of others are very important.**

We have provided many important safety messages in this manual and on your appliance. Always read and obey all safety messages.



This is the safety alert symbol.

This symbol alerts you to potential hazards that can kill or hurt you and others.

All safety messages will follow the safety alert symbol and either the word "DANGER" or "WARNING." These words mean:

**⚠ DANGER**

**You can be killed or seriously injured if you don't immediately follow instructions.**

**⚠ WARNING**

**You can be killed or seriously injured if you don't follow instructions.**

All safety messages will tell you what the potential hazard is, tell you how to reduce the chance of injury, and tell you what can happen if the instructions are not followed.

**IMPORTANT:** Save Installation Instructions for local electrical inspector's use.

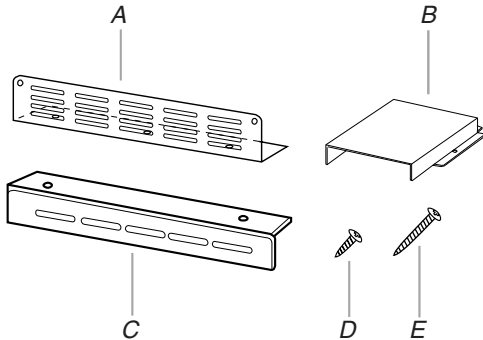
# INSTALLATION INSTRUCTIONS

## Tools Recommended

Assemble the required tools and parts before starting installation. Read and follow the instructions provided with any tools listed here.

- Measuring tape
- Scissors
- Pencil
- Phillips screwdriver

## Parts Supplied

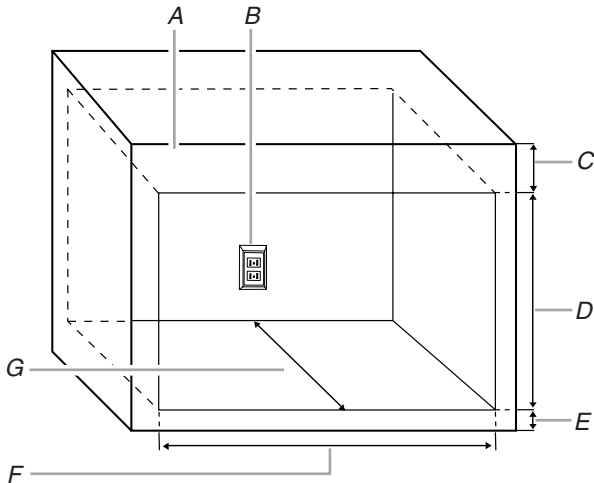


- A. Upper trim piece (1)
- B. Duct (1)
- C. Lower trim piece (1)
- D. 4 mm x 8 mm tapping screws (7)
- E. 4 mm x 16 mm tapping screws (4)

## Location Requirements

Check the location where the microwave oven will be installed. The location must provide the following:

- Wood cabinet with opening as shown
- Support for weight of 100 lbs (45.4 kg)
- Grounded electrical outlet (see "Electrical Requirements" section) on rear wall of cabinet enclosure



- A. Cabinet opening
- B. Location of grounded outlet
- C. 1 3/16" (3 cm) clearance above opening
- D. 14 1/2" (36.9 cm) height of opening
- E. 1" (2.5 cm) min. clearance below opening
- F. 20 3/8" (51.8 cm) min. width of microwave oven
- G. 16" (40.7 cm) min. depth of microwave oven

## Electrical Requirements

### ! WARNING



#### Electrical Shock Hazard

**Plug into a grounded 3 prong outlet.**

**Do not remove ground prong.**

**Do not use an adapter.**

**Do not use an extension cord.**

**Failure to follow these instructions can result in death, fire, or electrical shock.**

Observe all governing codes and ordinances. A 120-Volt, 60-Hz, AC-only, 15- or 20-amp fused electrical supply (or circuit breaker) is required. (A time-delay fuse is recommended.) It is recommended that a separate circuit serving only this appliance be provided.

## GROUNDING INSTRUCTIONS

### ■ For all cord connected appliances:

The microwave oven must be grounded. In the event of an electrical short circuit, grounding reduces the risk of electric shock by providing an escape wire for the electric current. The microwave oven is equipped with a cord having a grounding wire with a grounding plug. The plug must be plugged into an outlet that is properly installed and grounded.

**WARNING:** Improper use of the grounding plug can result in a risk of electric shock. Consult a qualified electrician or serviceman if the grounding instructions are not completely understood, or if doubt exists as to whether the microwave oven is properly grounded.

Do not use an extension cord. If the power supply cord is too short, have a qualified electrician or serviceman install an outlet near the microwave oven.

### ■ For a permanently connected appliance:

This appliance must be connected to a grounded, metallic, permanent wiring system, or an equipment grounding conductor should be run with the circuit conductors and connected to the equipment grounding terminal or lead on the appliance.

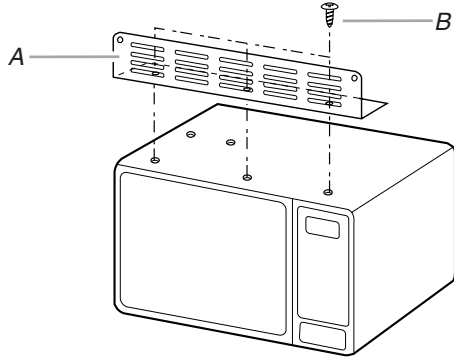
**SAVE THESE INSTRUCTIONS**

## Microwave Oven Preparation

1. Unplug microwave oven before proceeding with installation.
2. Remove any loose items inside microwave oven.

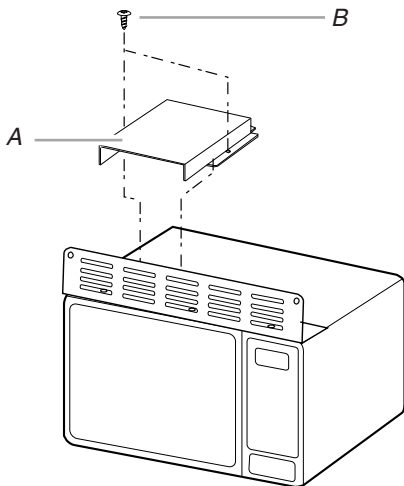
## Trim Kit Installation

1. Install upper trim piece using three 4 mm x 8 mm tapping screws.



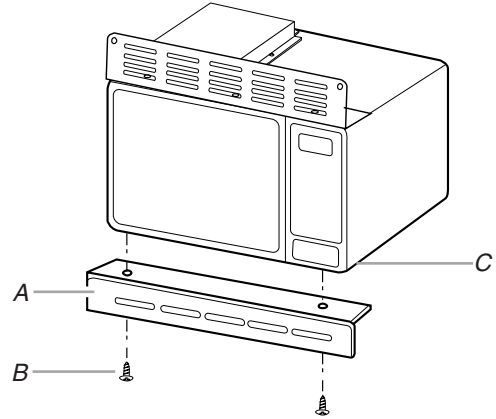
A. Upper trim piece  
B. 4 mm x 8 mm tapping screws

2. Position duct with open end toward front of microwave oven, and attach with two 4 mm x 8 mm tapping screws.



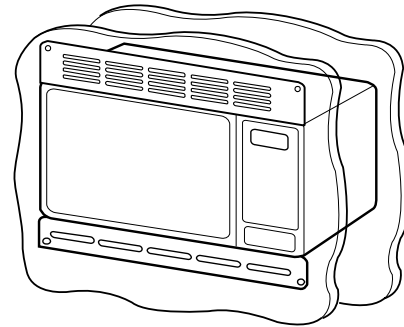
A. Duct  
B. 4 mm x 8 mm tapping screws

3. Remove 2 existing screws from front of base plate and set aside. Mount lower trim on base plate using two 4 mm x 8 mm tapping screws.

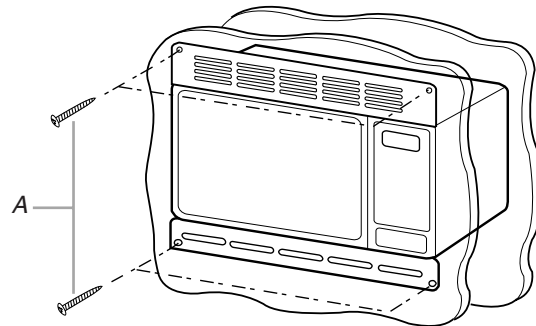


A. Lower trim piece  
B. 4 mm x 8 mm tapping screws  
C. Base plate (underside of microwave oven)

4. Slide microwave oven partway into cabinet opening. Plug in oven and center it in the opening. Install microwave oven in cabinet enclosure.



5. Attach the upper trim piece to the cabinet with two 4 mm x 16 mm tapping screws.



A. 4 mm x 16 mm tapping screws

6. Attach lower trim piece to cabinet with two 4 mm x 16 mm tapping screws.

Installation is now complete. Replace any loose items that have been removed from microwave oven cavity.

Save this installation instruction for future reference.

