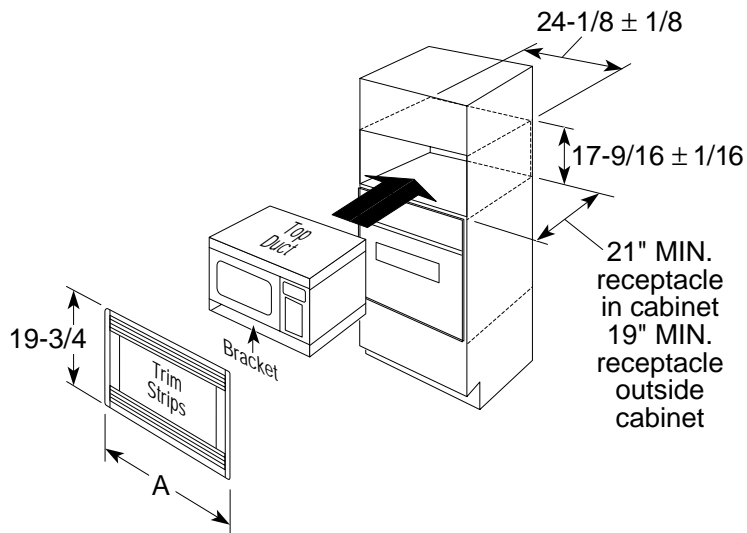




Monogram™

ZE1660SA—GE Monogram™ Full-Size Countertop Microwave Oven

Dimensions (in inches)



Exterior Dimensions (in inches)

W x H x D	23-21/32 x 13-5/16 x 18-5/16
------------------	------------------------------

Accessory Trim Kits

"A"

Trim Kits

30" Deluxe

29-3/4"

JX1530MSA

27" Deluxe

26-3/4"

JX1527MSA

Optional Accessory Trim Kits for 1.6 Microwave Ovens (Available at additional cost)

For a custom built-in appearance, these kits allow built-in installation of the countertop microwave oven into a wall or cabinet alone and are U.L. approved for installation over a GE Monogram™ single electric wall oven. These kits should not be installed over a gas wall oven.

Note: 120V, 60-cycle, grounded power receptacle location optional on back within cabinet opening.

Installation Information: This information is not intended to be used for installing unit described. Before installing, consult installation instructions packed with product/kit for current dimensional data.

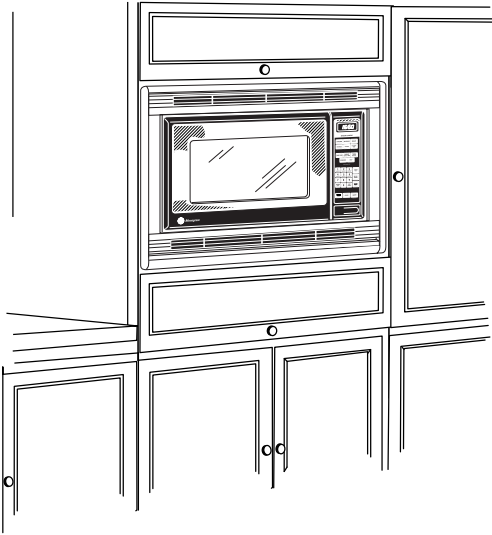
For answers to your Monogram®,
GE Profile Performance Series™,
GE Profile™ or GE appliance questions, call
GE Answer Center® service, 800.626.2000.





Monogram™

ZE1660SA—GE Monogram™ Full-Size Countertop Microwave Oven



Features and Benefits

- 1.6 cu. ft. Oven Capacity
- Powerful 1000 Watts®
- Electronic Touch Controls with Scrolling Display and Help Pad
- Sensor Cooking Controls for Beverage, Chicken/Fish, Potato, Vegetable, Popcorn and Reheat Pad
- Time Cook I & II
- Concurrent Programming
- Express Cook with Instant On Controls
- Add 30 Seconds
- Auto Defrost / Time Defrost
- 10 Power Levels
- Kitchen Timer
- Sound On/Off
- Child Lock Out
- Built-In Kit Available at Additional Cost
- Model ZE1660SA—Stainless Steel

* IEC-705 Test Procedure