

KitchenAid® Undercounter Dishwasher

PRODUCT MODEL NUMBERS

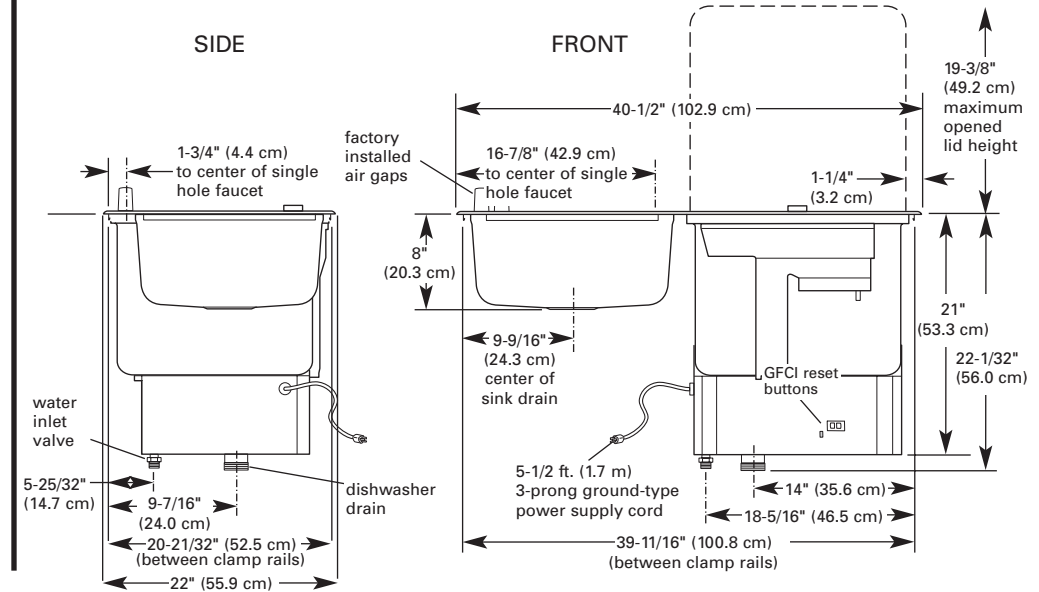
KIDS01EK

Electrical: 120-volt, 60-Hz, AC-only, 15- or 20-amp. electrical supply. Use copper wire only. A time-delay fuse or circuit breaker and separate circuit is recommended.

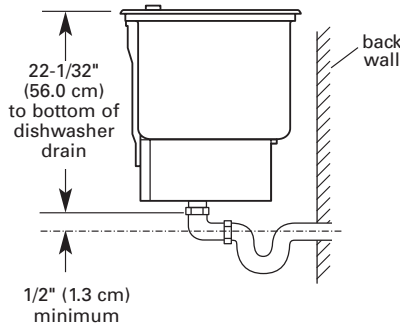
Water: For dishwasher, a hot water line with 20-120 psi (138-827kPa) water pressure. Water temperature must be minimum 120°F (48.9°C) at dishwasher. Use 3/8" O.D. copper tubing with compression fitting is recommended. Use a 90° elbow with 3/8" N.P.T. external pipe threads on one end to connect to water inlet valve. Do not solder within 6" (15.2 cm) from water inlet valve. For sink faucet, hot and cold water line. Copper tubing with compression fitting for specific faucet to be installed.

Drain: Separate drain P-traps for sink and dishwasher.

OVERALL DIMENSIONS



DISHWASHER DRAIN

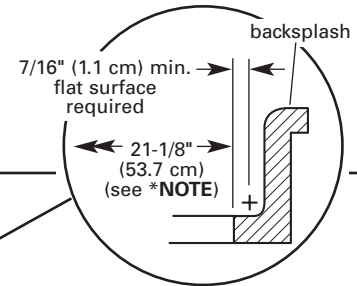
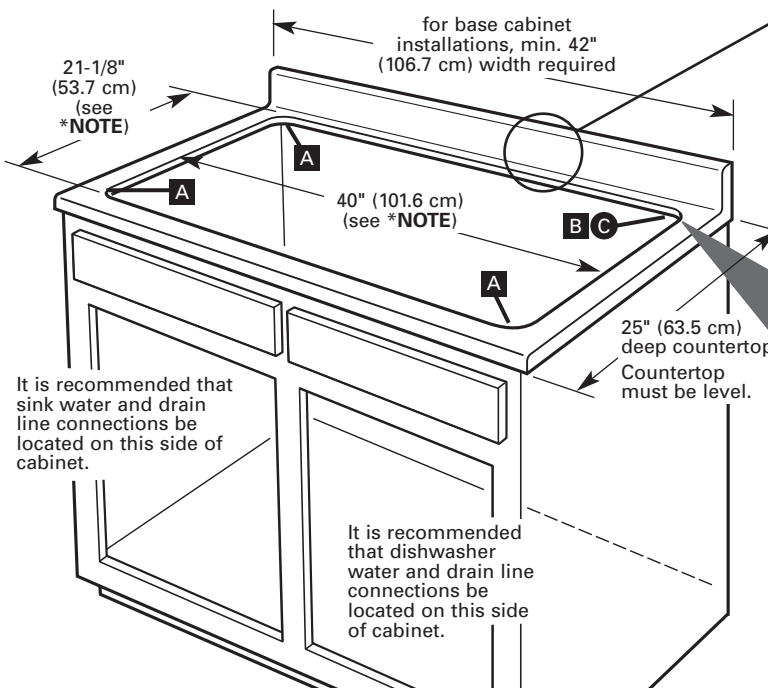


If the dishwasher drain exits through the back wall, the centerline of the drain must be a minimum of 1/2" (1.3 cm) below the dishwasher drain. This is required to completely drain the dishwasher tub so that no standing water remains in tub.

CABINET OPENING DIMENSIONS

*Note: The cutout must be accurately cut to the dimensions shown within 1/16" (1.6 mm). Dishwasher top flange overlaps the countertop cutout by 7/16" (1.1 cm) on front and back edges and 1/4" (6.4 mm) on sides.

• Cabinetry and countertop must be sturdy enough to support loaded dishwasher and sink (400 lbs. [181.4 kg]).



IMPORTANT: Corner radius dimensions specified must be used. If they are not, the dishwasher will not fit the opening.

