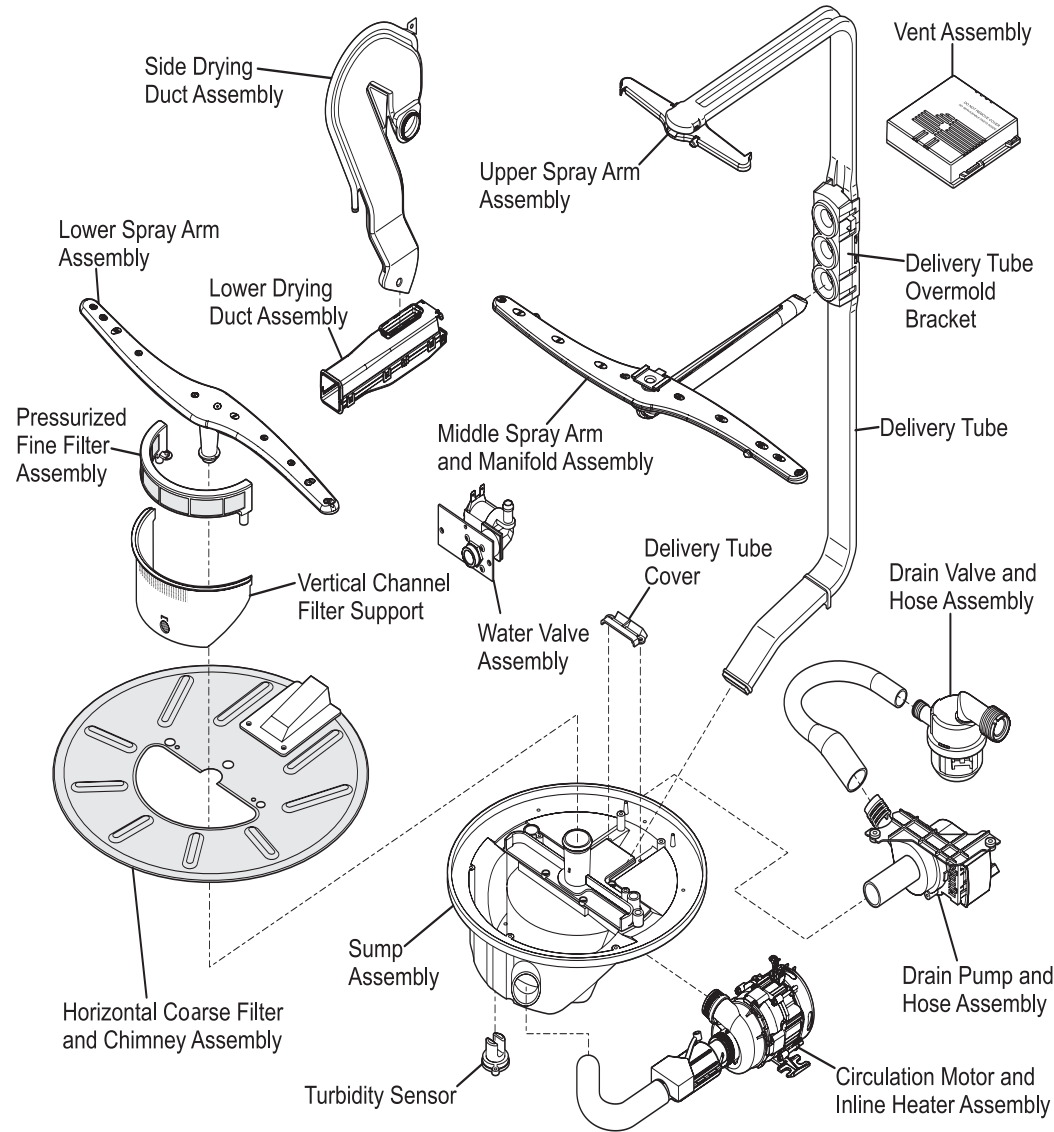


Exploded View of Wash System



Pump Assembly

The pump assembly is driven by a permanent split capacitor motor. When looking at the output shaft, rotation is in the counterclockwise direction at 3300RPM when driven by 120V 60Hz AC signal. The motor drives a pump which supplies 100% filtered water at the rate of approximately 19 GPM to all three spray arms at once.

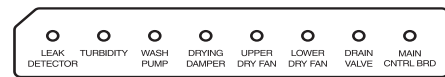
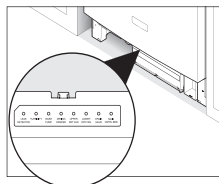
Draining is accomplished by using a small separate synchronous drain pump mounted to the sump. The drain pump is connected to the sump by a small rubber hose and two mounting points. A check valve is located at the discharge end of the drain pump.

The drain valve is connected to the drain pump by a rubber hose and is mounted to the dishwasher base. The drain valve maintains pressure in the pressurized fine filter. The intermediate drain hose is attached by a worm gear clamp to the discharge end of the drain valve.

The drain hose must have a loop at a minimum height of 32 inches in order to ensure proper drainage.

The main pump is removed by disconnecting both attached clamps and hoses, removing the three screws that secure the motor base to the dishwasher base, unlatching the leak detector, and disconnecting the wiring harness connections to the pump assembly.

Component Error LED Indication



To gain access to the Control Housing Assembly, remove kickplate assembly. LED Indicates which component is the source of the error.

Standard Dry Air Flow

When the control advances to the "dry" portion of the cycle, the lower fan located in the Lower Drying Duct Assembly is activated. Then, the Vent Assembly located in the top right corner of the tub is activated. The vent fan draws in the air from outside the tub forcing the hot, humid air out the Side Drying Duct Assembly and into the Lower Drying Duct Assembly. Cool dry outside

air is mixed with hot, humid air existing the tub in the Lower Drying Duct Assembly. This lowers the temperature and humidity of the air exiting the unit through the toe and kickplate. The addition of cooler, dryer outside air helps to speed evaporation of water from the hot dishes.

Detergent and Rinse Aid Dispenser

The detergent and rinse aid dispenser is a one piece component consisting of a molded detergent cup and a built-in rinse aid dispenser.

The detergent cup has a spring loaded cover and the rinse aid dispenser has a removable cover.

Liquid rinse aid is added to the dispenser up to the fill line indicator. The amount of rinse aid released can be adjusted by turning the arrow indicator from one, being the least amount, to four, being the greatest amount.

To replace dispenser:

- shut off electricity to dishwasher,
- remove outer door panel assembly and foam barrier,
- disconnect wiring to the dispenser,
- remove the six screws and bracket,
- remove the dispenser,
- replace and reinstall in reverse order,
- rewire actuator.

Tub Gasket

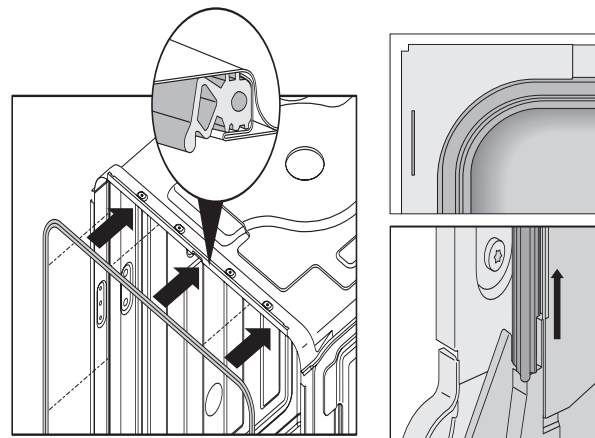
The door gasket is pressed into the tub channel for an interference fit. To install the gasket:

1. Locate the center mark on the gasket and press into place.
2. Press the gasket across the header using your thumb.

3. Press the gasket while stretching around the corners.

NOTE: There should be no wrinkles or puckers in the corners.

4. Place the gasket end at the bottom and then press the gasket in from the bottom up.



Product Specifications

Electrical

Rating	120 Volts, 60Hz
Separate Circuit..15 amp min.- 20 amp max.	
Motor (Amps)75
Heater Wattage	1200
Total Amps (load rated)	10.0
TempAssure	140°F ±5°F (60°C±3°C) [with outer door in place]
TempBoost.....	145°F ±5°F (63°C ±3°C)
	Heated Wash/Heated Rinse
Sanitize	150°F ±5°F (66°C ±3°C)
Hi-Limit Thermostat	200°F (93°C)

Water Supply

Suggested minimum incoming water temperature	120°F (49°C)
Pressure (PSI) min./max.	20/120
Connection (NPT)	3/8"
Consumption (Normal Cycle)	4.9 - 9.7 U.S. gal., 18.5 - 36.7 liters
Water valve flow rate (U.S. GPM)83
Water recirculation rate (U.S. GPM)	approx. 19
Water fill time	87 sec.

Trouble Shooting Tips

⚠ WARNING

Personal Injury Hazard

Always disconnect the dishwasher from the electrical power source before adjusting or replacing components.

Symptom	Check the Following	Remedy
Dishwasher will not operate when turned on.	<ol style="list-style-type: none"> 1. Fuse (blown or tripped). 2. 120 VAC supply wiring connection faulty. 3. Electronic control board defective. 4. No 12 VAC power to control. 5. Motor (inoperative). 6. Door switch (open contacts). 7. Door latch not making contact with door switch. 8. Touch pad circuit defective. 9. No indicator lamps illuminate when START or OPTIONS are pressed. 	<ol style="list-style-type: none"> 1. Replace fuse or reset breaker. 2. Repair or replace wire fasteners at dishwasher junction box. 3. Replace control board. 4. Replace control board. 5. Replace motor/impeller assembly. 6. Replace latch assembly. 7. Replace latch assembly. 8. Replace console assembly. 9. Replace console assembly.
Motor hums but will not start or run.	<ol style="list-style-type: none"> 1. Motor (bad bearings). 2. Motor stuck due to prolonged non-use. 	<ol style="list-style-type: none"> 1. Replace motor assembly. 2. Rotate motor impeller.
Motor trips out on internal thermal overload protector.	<ol style="list-style-type: none"> 1. Improper voltage. 2. Motor windings shorted. 3. Glass or foreign items in pump. 	<ol style="list-style-type: none"> 1. Check voltage. 2. Replace motor/impeller assembly. 3. Clean and clear blockage.
Dishwasher runs but will not heat.	<ol style="list-style-type: none"> 1. Heater element (open). 2. Electronic control board defective. 3. Wiring or terminal defective. 4. Hi-Limit thermostat defective. 	<ol style="list-style-type: none"> 1. Replace heater element. 2. Replace control board. 3. Repair or replace. 4. Replace thermostat.
Detergent cover will not latch or open.	<ol style="list-style-type: none"> 1. Latch mechanism defective. 2. Electronic control board defective. 3. Wiring or terminal defective. 4. Broken spring(s). 5. Defective actuator. 	<ol style="list-style-type: none"> 1. Replace dispenser. 2. Replace control board. 3. Repair or replace. 4. Replace dispenser. 5. Replace dispenser.
Dishwasher will not pump out.	<ol style="list-style-type: none"> 1. Drain restricted. 2. Electronic control board defective. 3. Defective drain pump. 4. Blocked impeller. 5. Open windings. 6. Wiring or terminal defective. 7. Defective Drain Valve. 	<ol style="list-style-type: none"> 1. Clear restrictions. 2. Replace control board. 3. Replace pump. 4. Check for blockage, clear. 5. Replace pump assembly. 6. Repair or replace. 7. Repair or replace.
Dishwasher will not fill with water.	<ol style="list-style-type: none"> 1. Water supply turned off. 2. Defective water inlet fill valve. 3. Check fill valve screen for obstructions. 4. Defective float switch. 5. Electronic control board defective. 6. Wiring or terminal defective. 7. Float stuck in "UP" position. 	<ol style="list-style-type: none"> 1. Turn water supply on. 2. Replace water inlet fill valve. 3. Disassemble and clean screen. 4. Repair or replace. 5. Replace control board. 6. Repair or replace. 7. Clean or replace float.
Dishwasher water siphons out.	<ol style="list-style-type: none"> 1. Drain hose (high) loop too low. 2. Drain line connected to a floor drain not vented. 3. Drain valve or pump stuck open. 	<ol style="list-style-type: none"> 1. Repair to proper 32-inch minimum height. 2. Install air gap at counter top. 3. Repair or replace.
Detergent left in dispenser.	<ol style="list-style-type: none"> 1. Detergent allowed to stand too long in dispenser. 2. Dispenser wet when detergent was added. 3. Detergent cover held closed or blocked by large dishes. 4. Improper incoming water temperature to properly dissolve detergent. 5. See "Detergent cover will not open." 6. Spray arm blocked. 7. Is water getting into unit. 	<ol style="list-style-type: none"> 1. Instruct customer/user. 2. Instruct customer/user. 3. Instruct customer/user on proper loading of dishes. 4. Incoming water temperature of 120°F is required to properly dissolve dishwashing detergents. 6. Instruct customer/user. 7. Check fill valve repair or replace.

P/N: 154676601



This information is intended for use by persons having electrical and mechanical training and a level of knowledge of these subjects generally considered acceptable in the appliance repair trade. Electrolux Home Products North America cannot be responsible, nor assume any liability, for injury or damage of any kind arising from the use of this Service Data Sheet.

Operation

To start Open door, select the cycle and options and then press START/CANCEL touchpad. The CLOSE DOOR message will appear in the display. Close the door and the cycle will begin.

To delay start Open door, select the desired cycle and options and then press the DELAY TIME Touchpad DELAY OFF will appear. Press the right arrow touchpad to increment the delay time.

To select a new cycle or option Open door, select the desired cycle and options, press the START/CANCEL touchpad, close door within 15 seconds and cycle will begin.

To cancel cycle Open the door, press the START/CANCEL touchpad close the door and the sump will drain and the unit will turn off

For controls. Open door and press the DELAY TIME touchpad for 3 seconds. After 3 seconds an audible signal will be given and LOCKED will appear on the display. To unlock the control press the DELAY TIME touchpad for 3 seconds and normal function will resume.

Display Codes (LED)

SANITIZED The word "SANITIZED" will show in the display when the door is opened for the first time after a sanitize cycle is ran successfully. This means the unit met the minimum wash temperature for the minimum amount of time.

CLEAN The word "CLEAN" will appear in the display after the completion of any cycle other than the Rinse Only cycle.

RINSE AGENT LOW The words "LOW RINSE AID" will appear in the display after the START/CANCEL touchpad is pressed to begin a cycle if the rinse aid level in the dispenser is low..

Color Code

BK.....Black	Y-BK.....Yellow/Black	GRN/Y.....Green/Yellow	Y/GRN.....Yellow/Green	OR/W.....Orange/White
BLUE.....Blue	Y.....Yellow	GRN/R.....Green/Red	Y/R.....Yellow/Red	OR/BK.....Orange/Black
PINK.....Pink	Blue/W..... Blue/White	GRN/W.....Green/White	Y/VIO..... Yellow/Purple	BRN.....Brown
R.....Red	GRN.....Green	PURP/W.....Purple/White	Y/W.....Yellow/White	BRN/R.....Brown/Red
R-BK.....Red/Black	PURP.....Purple	PURP/BK.....Purple/Black	OR.....Orange	BRN/W.....Brown/White
W or WHT.....White				BRN/Y.....Brown/Yellow

Relay Test

To enable the Relay Test mode perform the following steps in sequence:

1. If a wash cycle is running, press START/CANCEL touchpad to cancel operation and allow to drain
2. Press SELECT OPTIONS
3. Press and hold SET for a minimum of 5 seconds to reset the dishwasher.
4. Simultaneously press and hold the DELAY TIME and WASH CYCLES* touchpads until "WATER SERV" is displayed
5. Press < to switch to Relay Test and then press SET touchpad to enable
6. Use <> keys to cycle through the component menu
7. Once the desired component is selected, press SET touchpad to toggle between ON and OFF the door must be closed to energize the component.

The following is a list of components:

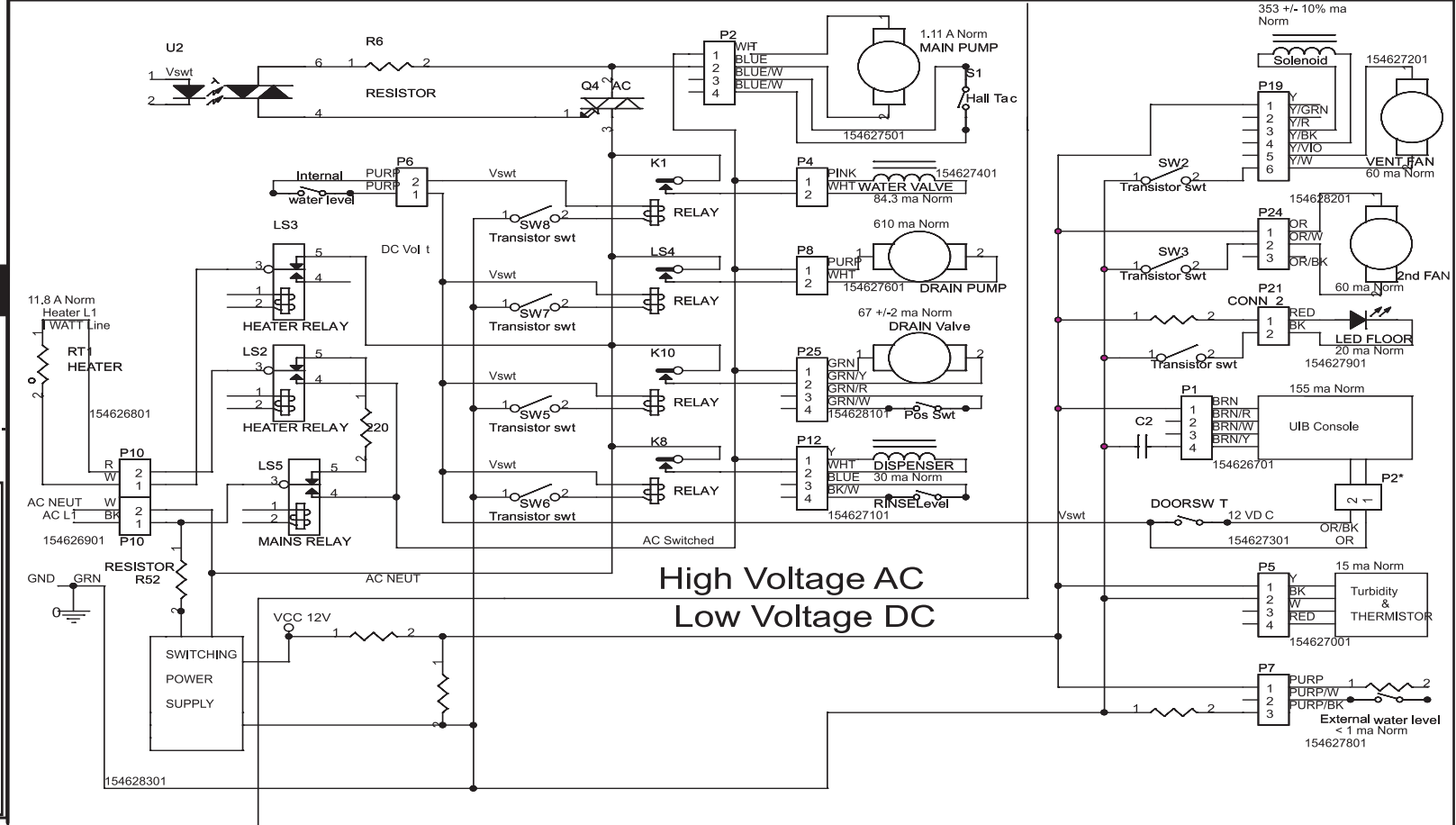
- W PUMP** - Toggle the Wash Pump
- 2900 RPM - 3300 RPM** - Set Wash Pump Speed - W PUMP must be on prior to selecting
- W VALVE** - Toggle the Water Valve
- D PUMP** - Toggle the Drain Pump
- D VALVE** - Automatically cycle between opened and closed and then switches off.
- F LAMP** - Turn on the Floor Light
- DIAG LED** - Cycle through the Diagnostic LEDs located on the lower control board
- FAN 2** - Toggle Fan operation. Apply power to Lower Fan, wait 4 seconds and then apply power to the Upper Fan and Damper.
- HEATER** - Toggle the Heater. Unit must have water to Toggle Heater.

To return to the normal operations menu:

1. Press START/CANCEL to turn off all components
2. Press and hold SET touchpad for a minimum of 5 seconds to reset the dishwasher

*The WASH CYCLES option may not be visible. Once the DELAY TIME is pressed, WASH CYCLES will be visible.

Wiring Diagram



Cycle Selection Options

