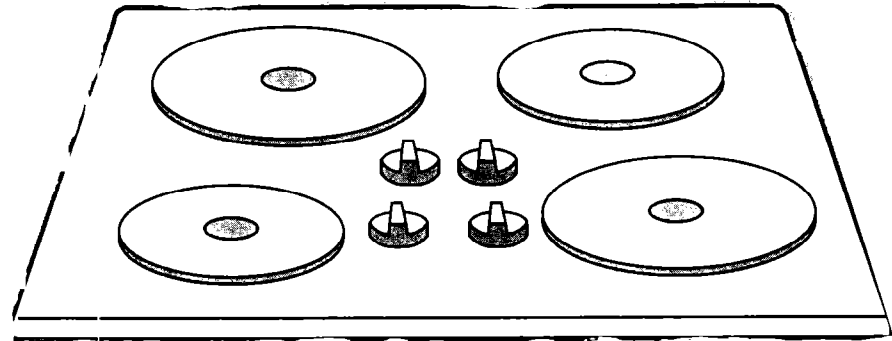


Installation Instructions



Part No. 9751226

IMPORTANT:
Read and save
these instructions.

IMPORTANT:

Installer: Leave Installation Instructions with the homeowner.

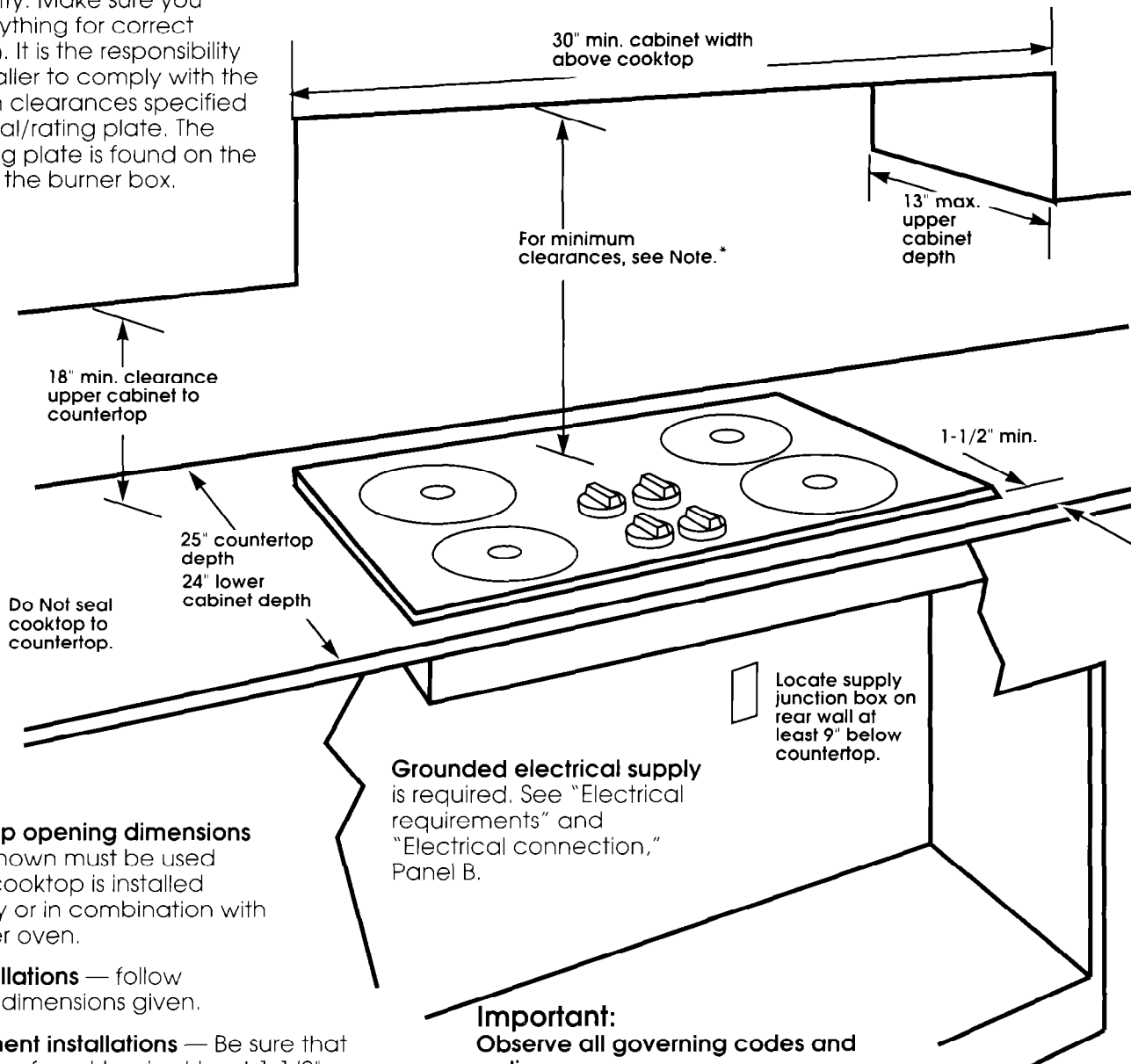
Homeowner: Keep Installation Instructions for future reference.

Save Installation Instructions for local electrical inspector's use.

**240-Volt,
30" and 36" Solid
Element Electric
Built-in Cooktops**

Before you start...

Proper installation is your responsibility. Make sure you have everything for correct installation. It is the responsibility of the installer to comply with the installation clearances specified on the serial/rating plate. The serial/rating plate is found on the bottom of the burner box.



* Note: 24" min. clearance if bottom of wood or metal cabinet is protected by not less than 1/4" flame retardant millboard covered with not less than No. 28 MSG sheet steel, 0.015" stainless steel, or 0.024" aluminum or 0.020" copper.

30" min. clearance between top of cooking platform and bottom of an unprotected wood or metal cabinet.

Check location where cooktop will be installed. The location should be away from strong draft areas, such as windows, doors and strong heating vents or fans. The cooktop should be located for convenient use in the kitchen.

A built-under oven may be installed under this cooktop if oven is approved for this type of installation. Check for approval label located on top of oven. If label is not located, contact dealer to confirm that oven is approved. Refer to oven manufacturer's Installation Instructions for approval and proper cutout dimensions.

When installing cooktop over a built-under oven, Do Not fasten cooktop to countertop with clamps. Cooktop then will be easy to remove if servicing is ever necessary.

NOTE: The clearances specified are for combustible walls and materials that have a density of 20 or more pounds per cubic foot. No evaluation of clearances has been made for installations adjacent to materials that are less than 20 pounds per cubic foot or to plastic tiles and sheeting.

Countertop opening dimensions that are shown must be used whether cooktop is installed separately or in combination with built-under oven.

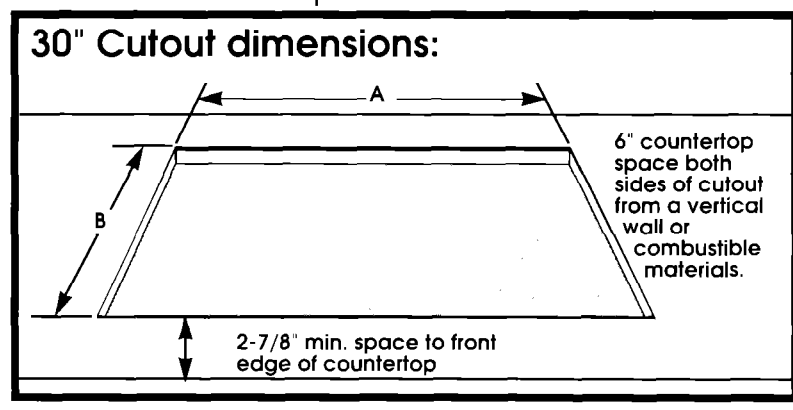
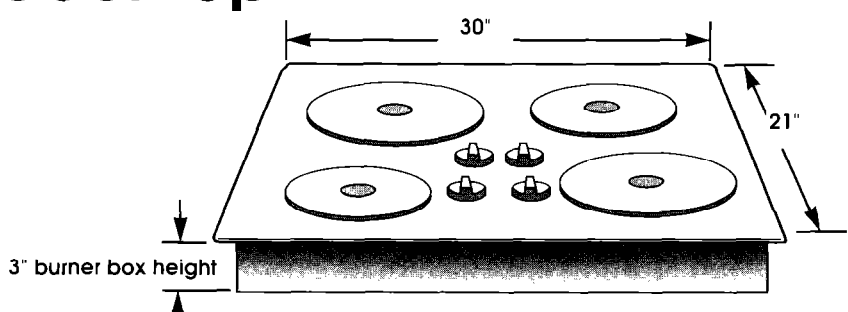
New installations — follow minimum dimensions given.

Replacement installations — Be sure that front edge of cooktop is at least 1-1/2" back from front edge of countertop.

Important: Observe all governing codes and ordinances. Failure to meet governing codes and ordinances could lead to fire or electrical shock.

ALL OPENINGS IN THE WALL OR FLOOR WHERE THE COOKTOP IS TO BE INSTALLED MUST BE SEALED.

30" Cooktop



	New Installation	Replacement Installation
A	26-1/2"	26-1/2" min. — 29-5/8" max.
B	18-3/4"	18-3/4" min. — 20-5/8" max.

30" min. base cabinet is required. If cabinet has a drawer, a 3-1/2" depth clearance from the countertop to the top of the drawer (or other obstruction) in the base cabinet is required.

⚠ WARNING

Electrical Shock Hazard

- It is the customer's responsibility:
- To contact a qualified electrical installer.
 - To assure that the electrical installation is adequate and in conformance with National Electrical Code, ANSI/NFPA 70 — latest edition**, and all local codes and ordinances.

Failure to do so could result in electrical shock or other personal injury.

Personal Injury Hazard

Cabinet storage above the cooking surface should be avoided. If cabinets are already installed, reduce the hazard of reaching over a heated cooking surface by installing a range hood.

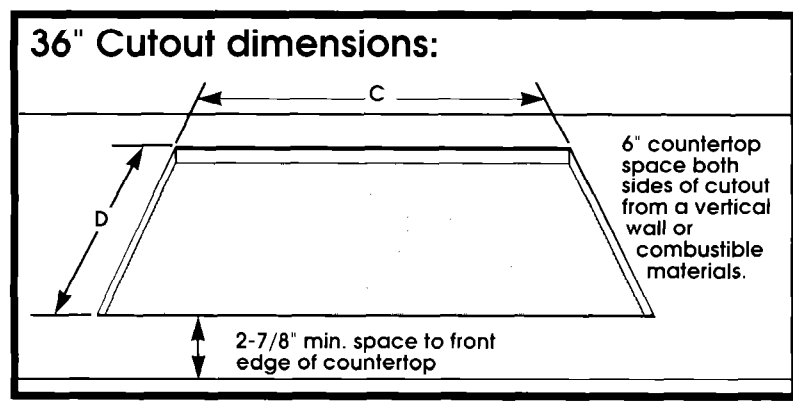
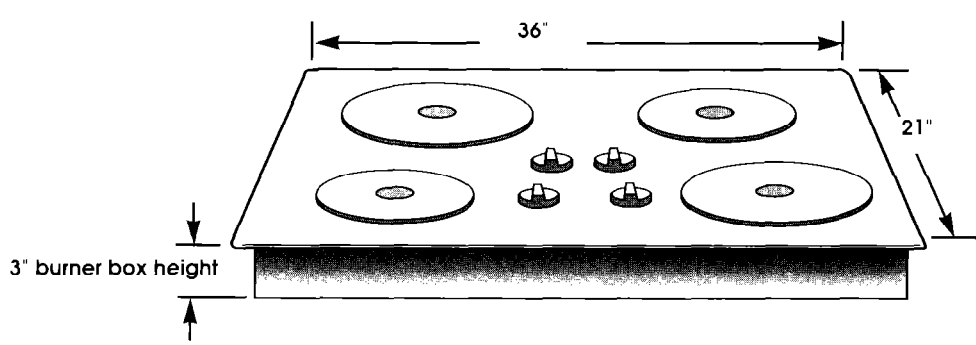
The range hood should extend a minimum of 5 inches out from the bottom of the cabinets.

Reaching over a heated cooking surface could result in a serious burn.

Copies of standards listed may be obtained from:

** National Fire Protection Association
Batterymarch Park
Quincy, Massachusetts 02269

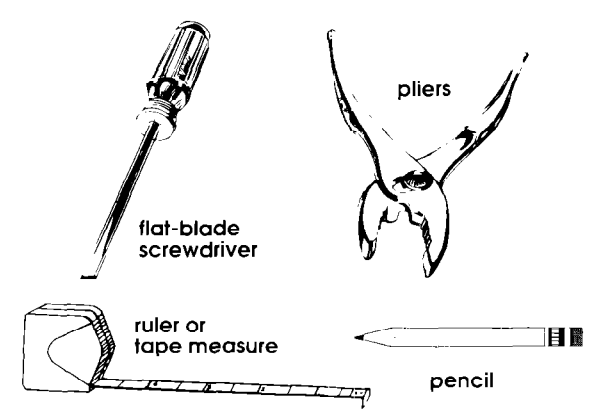
36" Cooktop



	New Installation	Replacement Installation
C	33"	33" min. — 34-7/8" max.
D	18-3/4"	18-3/4" min. — 20-5/8" max.

36" min. base cabinet is required. If cabinet has a drawer, a 3-1/2" depth clearance from the countertop to the top of the drawer (or other obstruction) in the base cabinet is required.

Tools needed for installation:



Electrical requirements

⚠ WARNING

Electrical Shock Hazard

- Electrical ground is required on this appliance.
- If cold water pipe is interrupted by plastic, non-metallic gaskets, or other insulating materials, Do Not use for grounding.
- Do Not ground to a gas pipe.
- Do Not have a fuse in the neutral or grounding circuit. A fuse in the neutral or grounding circuit could result in an electrical shock.
- Check with a qualified electrician if you are in doubt as to whether the appliance is properly grounded.

Failure to follow these instructions could result in an electrical shock, serious injury or death.

If codes permit and a separate grounding wire is used, it is recommended that a qualified electrician determine that the grounding path is adequate.

IMPORTANT:
Save Installation Instructions for electrical inspector's use.

A. A three-wire, single-phase, 240-volt, 60-Hz, AC-only electrical supply is required on a separate, 40-ampere circuit, fused on both sides of the line. A time-delay fuse or circuit breaker is recommended. The fuse size must not exceed the circuit rating of the appliance specified on the serial/rating plate located on the bottom of the burner box.

B. THE COOKTOP MUST BE CONNECTED WITH COPPER WIRE ONLY.

C. Wire sizes and connections must conform to the requirements of the National Electrical Code ANSI/NFPA 70 — latest edition**, and all local codes and ordinances.

Copies of the standards listed may be obtained from:

**National Fire Protection Association
Batterymarch Park
Quincy, Massachusetts 02269

D. Wire sizes (COPPER WIRE ONLY) and connections must conform with the rating of the appliance (40 amperes).

The appliance should be connected directly to the fused disconnect or circuit breaker box through flexible, armored or non-metallic sheathed, copper cable. The flexible, armored cable extending from the appliance should be connected directly to the junction box.

E. Locate the junction box to allow as much slack as possible between junction box and the cooktop so that the cooktop can be moved if servicing is ever necessary. **Do Not cut the conduit.**

F. A U.L.-listed conduit connector must be provided at each end of the power supply cable (at the appliance and at the junction box).

Electrical connection

⚠ WARNING

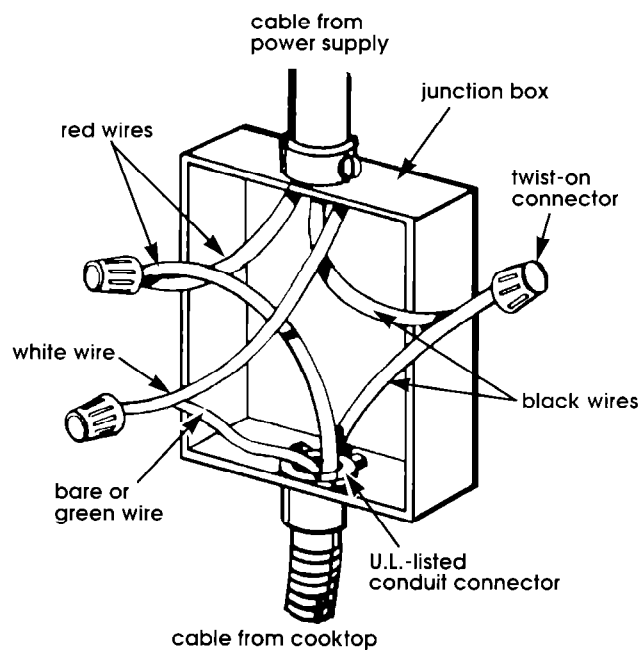
Electrical Shock Hazard

- Electrical ground is required on this appliance.
 - This appliance must be connected to a grounded, permanent wiring system or a grounding connector should be connected to the grounding terminal or wire lead on the appliance.
 - Disconnect power to the junction box.
 - Do Not connect to the electrical supply until appliance is permanently grounded.
- Failure to do so could result in electrical shock, serious injury, or death.

This appliance is manufactured with a frame-connected, green or bare grounding wire.

Connect the appliance cable to the junction box through the U.L.-listed conduit connector. Complete electrical connection according to local codes and ordinances.

A. Where local codes permit connecting the frame-grounding conductor to the neutral (white) junction box wire:

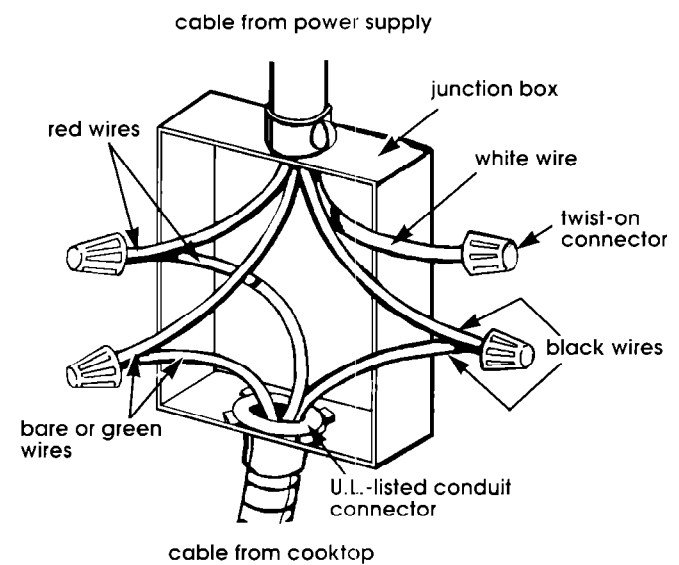


Grounded neutral

Figure 1

1. Disconnect power supply.
2. Connect the flexible armored cable from the cooktop to the junction box using a U.L.-listed conduit connector. Tighten screws on conduit connector.
3. Connect the green (or bare) appliance cable wire with the neutral (white) wire in the junction box.
4. Connect the two black wires together; then connect the two red wires together with twist-on wire connectors. (See Figure 1.)

B. Where local codes Do Not permit connecting the frame-grounding conductor to the neutral (white) junction box wire:



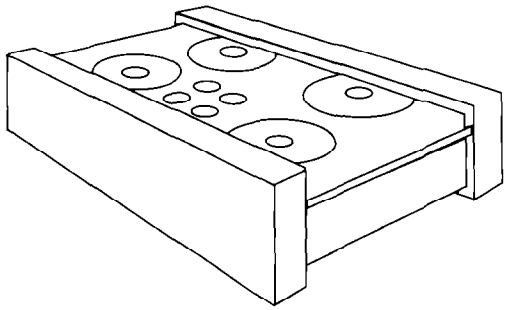
Ungrounded neutral

Figure 2

1. Disconnect power supply.
2. Connect the flexible armored cable from the cooktop to the junction box using a U.L.-listed conduit connector. Tighten screws on conduit connector.
3. Connect the two black wires together; then connect the two red wires together with twist-on wire connectors. (See Figure 2.)
4. Connect the green (or bare) grounding wire from the appliance cable to the grounded wire in the junction box.
5. Put a twist-on wire connector on end of white wire.

Now start...

With cooktop in kitchen.



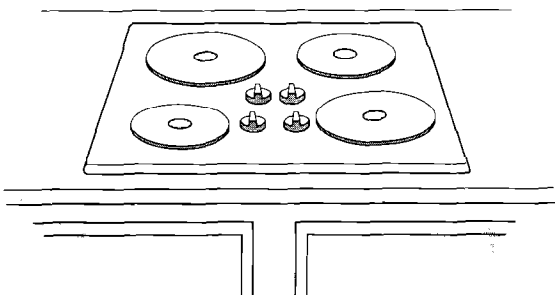
1. Remove the shipping materials and tape from the cooktop. Remove the hardware package from the side of the carton.

CAUTION

Property Damage

Lift entire cooktop up from cutout when repositioning cooktop in countertop opening.

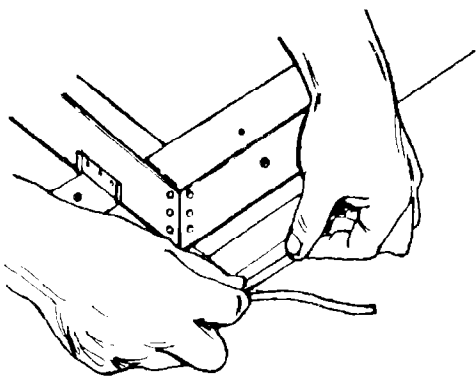
Failure to do so could scratch the countertop.



2. Insert the cooktop into the countertop opening. Center the cooktop in the cutout. Check that the front of the cooktop is parallel to the front edge of the countertop. Check that all required clearances are met. If cooktop is not properly positioned, lift the entire cooktop out of opening to make adjustments.

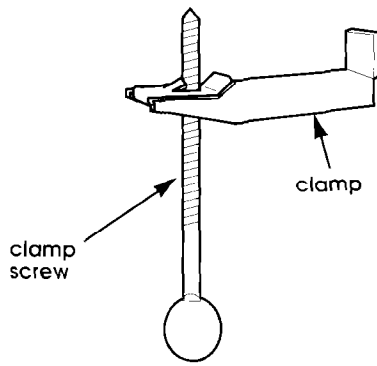
Use a pencil to outline the rear of the cooktop on the countertop.

3. Place two of the foam shipping pieces on the countertop near the cutout. Remove the cooktop from the cutout and place it upside down on the shipping pieces.

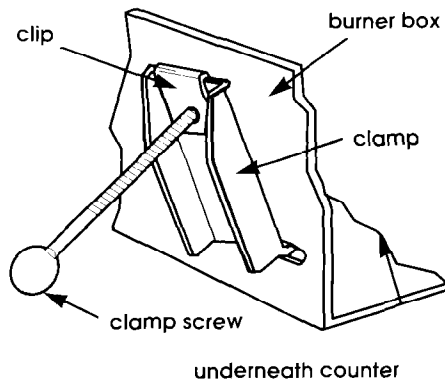


4. Remove the paper backing from a small section of the foam sealing strip. Place the strip 1/8" from the cooktop edge on the underside of the glass. Continue until the foam strip completely outlines the edge of the cooktop.

5. Insert the cooktop into the cutout and align it with the pencil outline. Check that the cooktop is parallel to the front edge of the countertop. Lift the entire cooktop to make adjustments so the foam sealing strip can seal properly.



6. Assemble clamps.

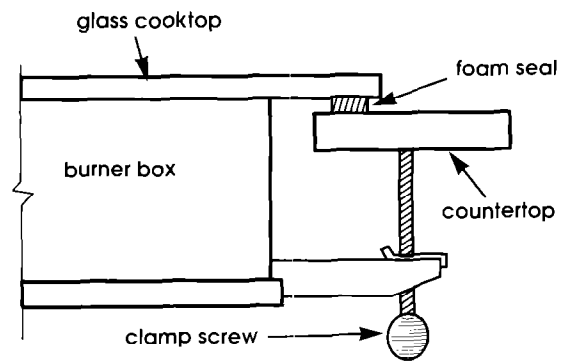


7. Insert clamp flange into the slot in the side of the burner box. Rotate other end of clamp away from burner box until clamp is securely in place. Repeat with the other clamp.

CAUTION

Product Damage

Do Not overtighten screws. Overtightening screws could damage cooktop surface.



8. Use one hand to lightly press down on the countertop above the clamp screw. Tighten the clamp screw by hand. Do Not overtighten the screw. Repeat with the other clamp screw.

9. Make the electrical connection. (See "Electrical requirements" and "Electrical connection" sections, Panel B, for details.)

10. Turn on the power supply.

WARNING

Personal Injury Hazard

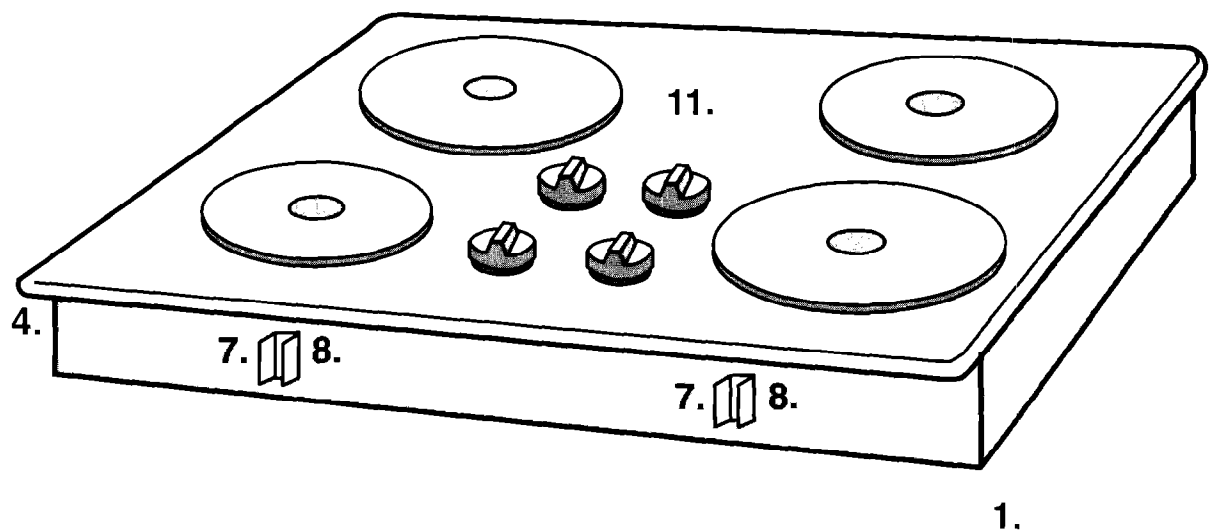
Do Not touch cooktop surface. Areas near elements may be hot. Touching a heated cooking surface could result in a serious burn.

11. Push in and turn each control knob to the "HI" position. Check the operation of the cooktop heating elements and indicator lights.

Congratulations!

You have just finished installing your new cooktop. Keep Installation Instructions close to cooktop for easy reference.

Numbers correspond to steps.



If cooktop does not operate...

- Check that the circuit breaker is not tripped or the house fuse blown.
- Check that power supply cord is plugged into wall receptacle.
- See Use and Care Guide for troubleshooting checklist.

Note: Refer to Use and Care Guide for operating and cleaning instructions.

If you need assistance...

Check the Use and Care Guide for a toll-free number to call, or call the dealer from whom you purchased this appliance. The dealer is listed in the Yellow Pages of your telephone directory under "Appliances — Household — Major — Service or Repair".

When you call, you will need the cooktop model number and serial number. Both numbers can be found on the serial/rating plate located on the bottom of the burner box.