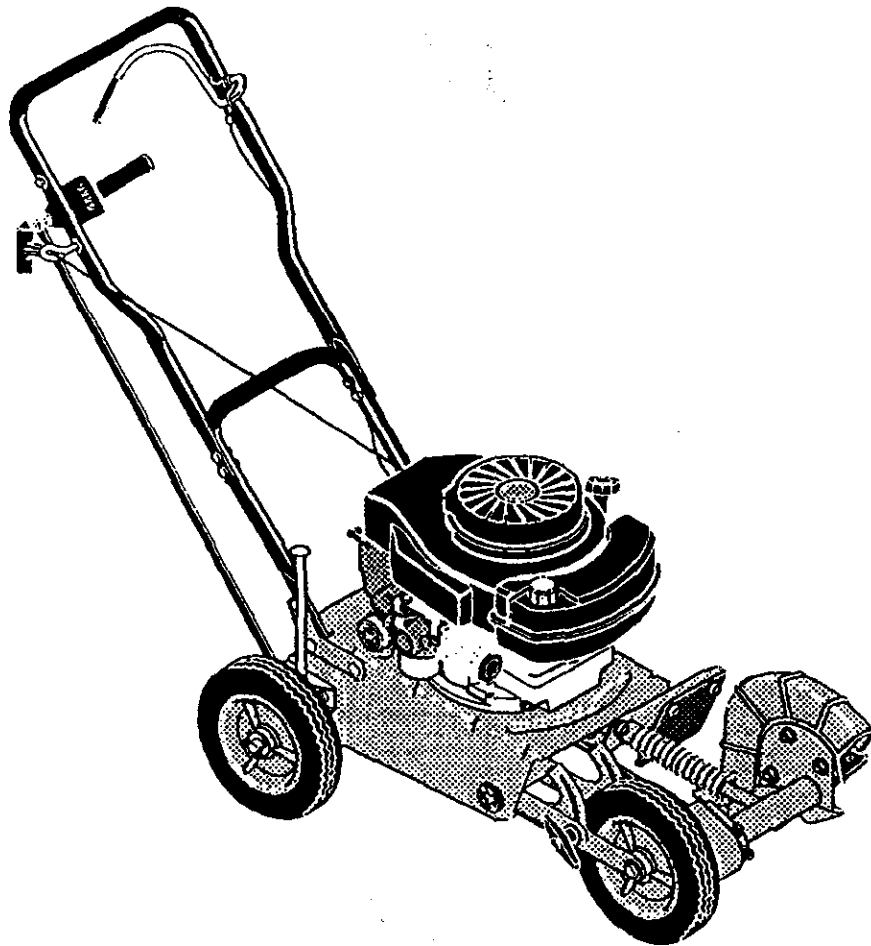


# CRAFTSMAN®

4 Horsepower  
9 Inch  
EDGER

MODEL NO.  
536.797400



**Caution:**  
Read and follow all Safety  
Rules and Operating  
Instructions before first use  
of this product.

SEARS, ROEBUCK AND CO., Hoffman Estates, IL 60179 U.S.A.

711044 04/11/97

SAFETY

ASSEMBLY

OPERATION

MAINTENANCE

PARTS LIST

ESPAÑOL

## TABLE OF CONTENTS

Table of Contents	2	Service and Adjustments	13-14
Warranty	2	Storage	15
Safety Rules	2-3	Troubleshooting	16
Contents of Shipping Carton	4	Edger Repair Parts	17-20
Assembly	4-6	Engine Repair Parts	21-24
Operation	7-10	Spanish(Español)	25-41
Maintenance	11-12	Parts Ordering/Service	Back Cover

## WARRANTY STATEMENT

### LIMITED TWO-YEAR WARRANTY ON CRAFTSMAN EDGER

For two years from the date of purchase, when this Craftsman Edger is maintained, lubricated, and tuned up according to the operating and maintenance instructions in the owner's manual, Craftsman will repair, free of charge, any defect in material or workmanship.

If this Craftsman Edger is used for commercial or rental purposes, this warranty applies for only 90 days from the date of purchase.

This warranty does not cover the following:

- Expendable items which become worn during normal use, such as spark plugs, etc.
- Repairs necessary because of operator abuse or negligence, including bent crank shafts and the failure to maintain the equipment according to the instructions contained in the owner's manual.

**WARRANTY SERVICE IS AVAILABLE BY RETURNING THE CRAFTSMAN EDGER TO THE NEAREST CRAFTSMAN SERVICE CENTER/DEPARTMENT IN THE UNITED STATES. THIS WARRANTY APPLIES ONLY WHILE THIS PRODUCT IS IN USE IN THE UNITED STATES.**

This warranty gives you specific legal rights, and you may also have other rights which may vary from state to state.

Sears, Roebuck and Co., D817WA, Hoffman Estates, IL 60179



## SAFETY RULES



**Look for this symbol to point out important safety precautions. It means--  
ATTENTION!!! Become alert!!! Your safety is involved.**



**CAUTION:** Always disconnect spark plug wire and place wire where it cannot contact spark plug to prevent accidental starting when setting-up, transporting, adjusting or making repairs.

**IMPORTANT:** Safety standards require operator presence controls to minimize the risk of injury. Your Edger is equipped with such controls. Do not attempt to defeat the function of the operator presence control under any circumstances.

### BEFORE USE

- Read the owner's manual carefully. Be thoroughly familiar with the controls and the proper use of the Edger. Know how to stop the edger and disengage the controls quickly.
- Do not operate the Edger without

footwear that will improve footing on slippery surfaces.

- Keep the area of operation clear of all persons, particularly small children and pets.
- Thoroughly inspect the area where the Edger is to be used and remove all foreign objects.

### FUEL SAFETY

- Handle fuel with care; it is highly flammable.
- Use an approved container.
- Check fuel supply before each use, allowing space for expansion as the heat of the engine and/or sun can cause fuel to expand.
- Fill fuel tank outdoors with extreme care. Never fill fuel tank indoors. Replace fuel tank can securely and wipe up spilled

- Never remove the fuel tank cap or add fuel to a running or hot engine.
- Never store fuel or Edger with fuel in the tank inside a building where fumes may reach an open flame.

### OPERATING SAFETY

- Never allow children or young teenagers to operate the Edger. Keep them away while it is operating. Never allow adults to operate the Edger without proper instruction.
- Do not operate this machine if you are taking drugs or other medication which can cause drowsiness or affect your ability to operate this machine.
- Do not use this machine if you are mentally or physically unable to operate this machine safely.
- Always wear safety glasses or eye shields during operation or while performing an adjustment or repair to protect your eyes from foreign objects that may be thrown from the Edger.
- Do not put hands or feet near or under rotating parts.
- Exercise extreme caution when operating on or crossing gravel drives, walks, or roads. Stay alert for hidden hazards or traffic.
- Exercise caution to avoid slipping or falling.
- Never operate the Edger without proper guards, plates, or other safety protective devices in place.
- Never operate the Edger at high transport speeds on slippery surfaces. Look behind and use care when backing.
- Never allow bystanders near the Edger.
- Keep children and pets away while operating.
- Never operate the Edger without good visibility or light.
- Do not run the engine indoors. The exhaust fumes are dangerous, containing **CARBON MONOXIDE**, an **ODORLESS** and **DEADLY GAS**.
- Take all possible precautions when leaving the Edger unattended. Stop the engine.
- Do not overload the Edger capacity by attempting to edge too deep at too fast a rate.

### SAFE STORAGE

- Always refer to the owner's manual instructions for important details if the Edger is to be stored for an extended period.

- Never store the edger with fuel in the fuel tank inside a building where ignition sources are present such as water and space heaters, clothes dryers, and the like. Allow the engine to cool before storing in any enclosure.
- Keep the Edger in safe working condition. Check all fasteners at frequent intervals for proper tightness.

### REPAIR/ADJUSTMENTS SAFETY

- After striking a foreign object, stop the engine (motor). Remove the wire from the spark plug, and keep the wire away from the plug to prevent accidental starting. Thoroughly inspect the Edger for any damage, and repair the damage before restarting and operating it.
- If edger should start to vibrate abnormally, stop engine (motor) and check immediately for the cause. Vibration is generally a warning of trouble.
- Stop the blade whenever you leave the operating position. Also, disconnect the spark plug wire before unclogging the blade and when making any repairs, adjustments, or inspections.
- When cleaning, repairing, or inspecting, shut off the engine and make certain all moving parts have stopped.
- Never attempt to make any adjustments while the engine is running except when specifically recommended by the manufacturer.

**⚠ WARNING:** The engine exhaust from this product contains chemicals known to the State of California to cause cancer, birth defects or other reproductive harm.

**⚠ WARNING:** This unit is equipped with an internal combustion engine and should not be used on or near any unimproved forest-covered, brush-covered or grass-covered land unless the engine's exhaust system is equipped with a spark arrester meeting applicable local or state laws (if any). If a spark arrester is used, it should be maintained in effective working order by the operator.

In the state of California the spark arrester is required by law (Section 4442 of the California Public Resources Code). Other states may have similar laws. Federal laws apply on federal lands. A spark arrester/muffler is available through your nearest Craftsman Authorized Service Center (See **ENGINE REPAIR PARTS** section in this manual).

## Contents of Parts Bag (shown full size)



(2) - Hex Head Nuts  
5/16-18



(2) - Hex Head Screws  
5/16-18x 1-1/4 inch



(2) - Hair Pins

## Parts packed separately in carton (not shown full size)



1 - Container SAE30 Oil(20 ounces)



(1) -Control Rod

- 1 - Owner's Manual (not shown)
- 1 - Parts Bag (not shown)

## ASSEMBLY

**⚠ CAUTION:** Always wear safety glasses or eye shields while assembling Edger.

### TOOLS REQUIRED FOR ASSEMBLY

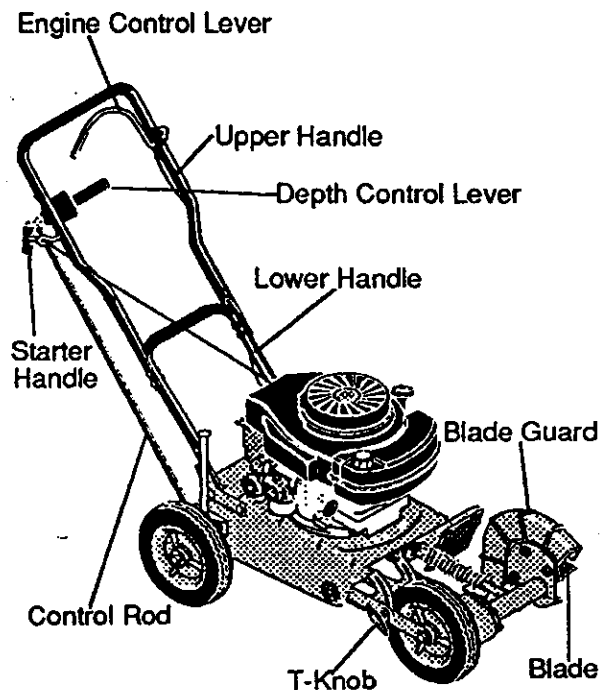
- 1 - 7/16 inch Wrench  
(or adjustable wrench)
- 2 - 1/2 inch Wrenches  
(or adjustable wrenches)
- 1 - Pair Pliers

The figure to the right shows the Edger completely assembled.

References to the right or left hand side of the Edger are from the viewpoint of the operator's position behind the unit.

### TO REMOVE EDGER FROM CARTON

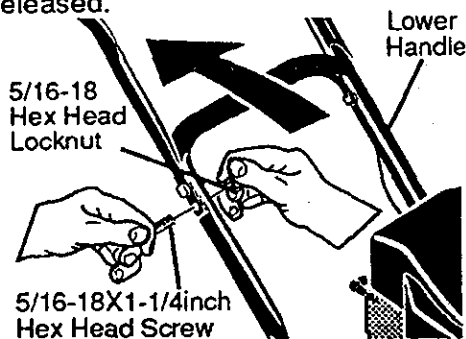
- Remove the control rod and packing material from carton
- Cut down all four corners of the carton.



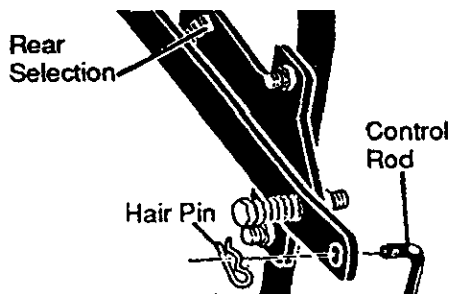
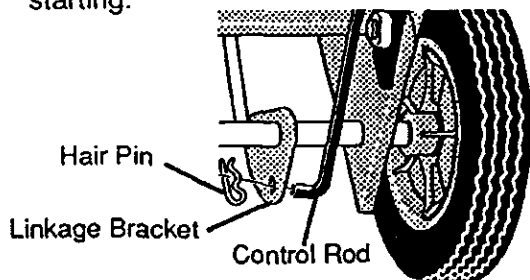
## TO ASSEMBLE THE EDGER

- Pivot the upper handle upward being careful not to pinch or pull the engine control wire, until the mounting holes in the upper handle align with the mounting holes in the lower handle. Install (2) 5/16-18 x 1-1/4 inch hex head screws and (2) 5/16-18 hex lock nuts (found in parts bag) in the empty handle holes and tighten all four clamping bolts. Locknuts should be to the inside of the handles as shown in figure below.

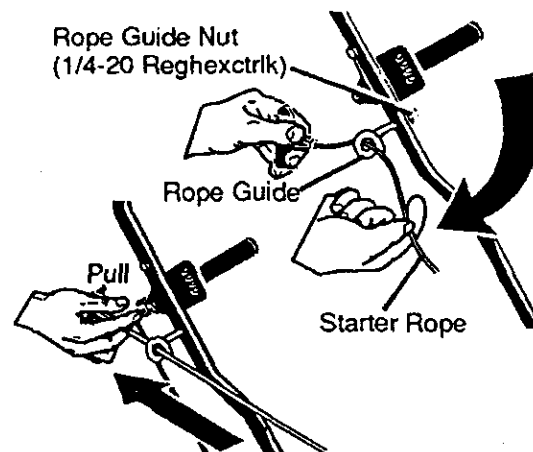
- All four bolts must be tightened to the point that the head of the bolt cuts into the paint on the handles. This will allow a good connection allowing the engine control lever to stop the engine when released.



- Insert one end of the control rod from right to left through the hole in the linkage bracket located inside the frame on the rear axle. Attach with hairpin found in parts bag. See figure below.
- Place the depth control lever in the rear selection slot. While pushing down on the upper handle to the point that the front wheel is raised off the ground, pull up on the other end of the control rod until you can insert the end of the control rod from right to left through the hole in the depth control lever. Attach with hairpin. See next figure.
- Return depth control lever to the forward most selection slot for transport and starting.



- Loosen the adjustable front wheel T-knob and push down on the T-knob until the front of the unit comes to a resting point. The engine mounting surface should be parallel to the surface the unit is resting on for best edging results.
- Loosen the rope guide nut (1/4-20 hex head centerlock) located on the inside of the right handle enough to let starter rope through as shown below.
- Thread starter rope through the guide.
- Tighten rope guide nut.



## ✓ CHECKLIST

Before you operate your new Edger, to ensure that you receive the best performance and satisfaction from this quality product, please review the following checklist:

- ✓ All assembly instructions have been completed.
- ✓ No remaining loose parts in carton. Keep in safe place.
- ✓ All fasteners have been properly installed and tightened.

While learning how to use your Edger, pay extra attention to the following important items:

- ✓✓ Engine oil is at proper level.
- ✓✓ Fuel tank is filled with fresh, clean, regular Unleaded gasoline.
- ✓✓ Become familiar with all controls, their location and function. Operate controls before starting engine.

# OPERATION

## KNOW YOUR EDGER

READ THIS OWNER'S MANUAL AND SAFETY RULES BEFORE OPERATING YOUR EDGER. Compare the illustrations with your EDGER to familiarize yourself with the location of various controls and adjustments. Save this manual for future reference.



Fast



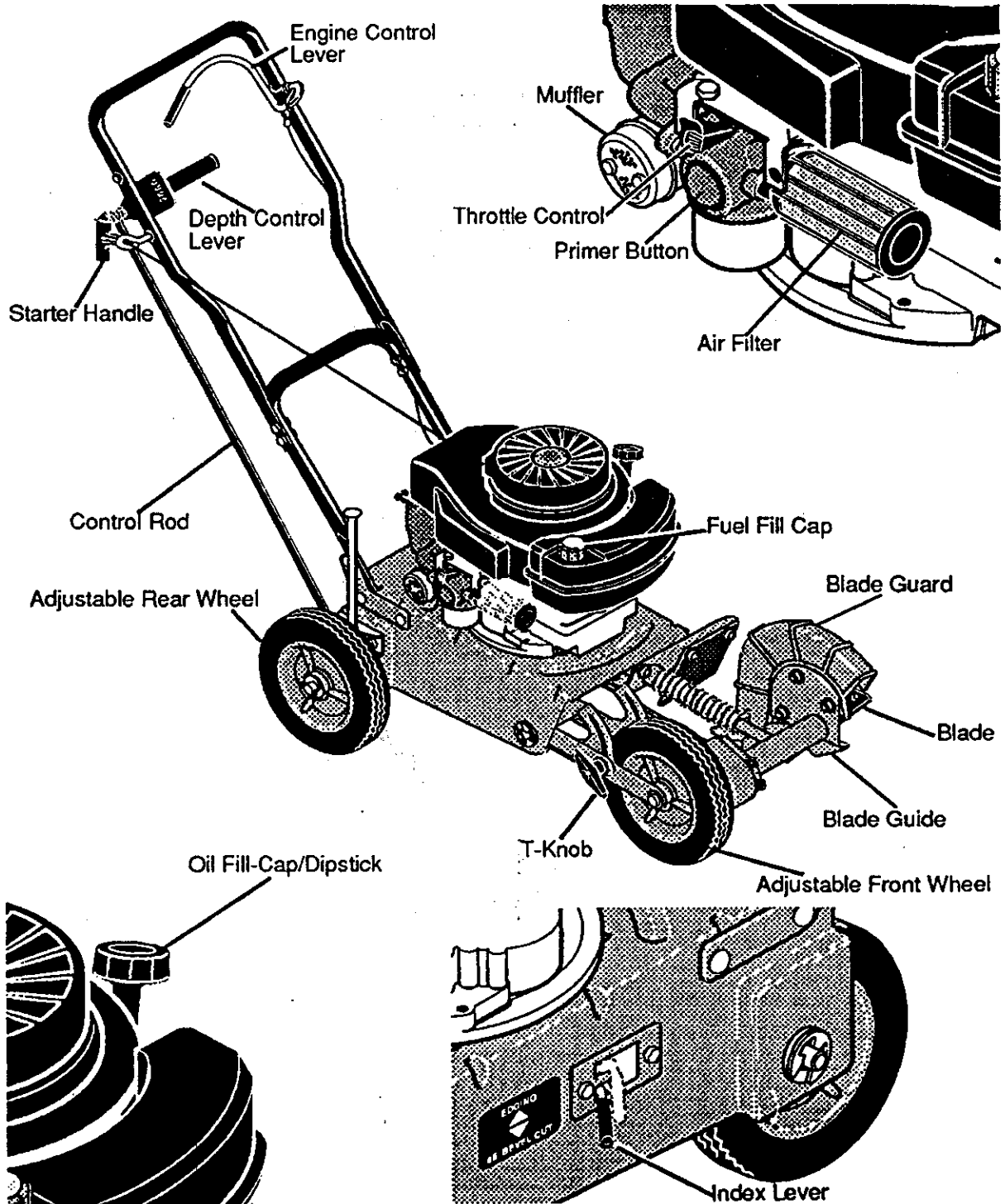
Slow



Stop



Primer Button



**Throttle Control** – Used to control the engine speed.

**Primer Button** – Injects fuel directly into the carburetor manifold for faster starts.

**Starter Handle** – The engine on this edger is equipped with an easy pull recoil starter.

**Depth Control Lever** – Controls the depth of the blade.

**Blade Guard** – Used to prevent stones or other material from being thrown at the operator.

**Engine Control Lever** – Must be held back to allow engine to start and run.

**Index Lever** – Permits adjustment from the edging (vertical) position to beveling (45°) position. To change position, pull the index lever and rotate the quill assembly to the desired angle or position.

**Adjustable Rear Wheel**– Right rear wheel is adjustable to level Edger when edging along a curb (curb-hopping).

**Adjustable Front Wheel**–Front wheel can be adjusted down for curb-hopping.

**⚠ WARNING:** Blade is rotating when engine is running or being started. Keep hands and feet away from blade to prevent injury.

## HOW TO USE YOUR EDGER

**⚠ WARNING:** The operation of this Edger can result in foreign objects being thrown into the eyes, which can cause severe eye damage. Always wear safety glasses or eye shields while operating the Edger.

We recommend standard safety glasses or Wide Vision Safety Mask for over your glasses.

## TO STOP EDGER

- Make sure the depth control lever is all the way forward and release engine control lever. There is a **STOP** position on the throttle control lever in case of a failure with the engine control lever. Wait for all moving parts to stop before leaving the operator position.

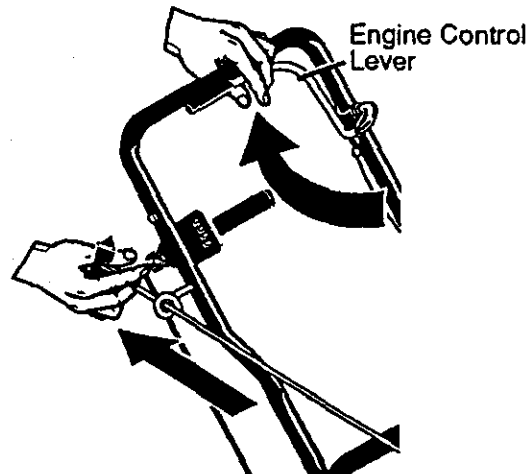
**⚠ CAUTION:** Never leave the Edger unattended while the engine is running. Always raise the cutting blade and stop the engine.

## TO USE THE ENGINE CONTROL LEVER



- Pull the engine control lever back with your left hand and hold it in contact with the upper handle cross tube to allow engine to start and run. See next figure.
- Release the engine control lever to stop the engine.

**NOTE:** If engine continues to run after lever is released. Use the stop **STOP** position on the throttle control to stop the engine and then see your Craftsman Service Center to correct the engine control lever problem.

**⚠ CAUTION:** Always stop the engine and make sure all parts have stopped whenever leaving the operator's position or when cleaning, replacing or inspecting the Edger.



## TO USE THROTTLE CONTROL

- Run at full  engine speed during normal use.
- Push throttle control lever forward to increase speed; back to decrease  speed.
- Pulling the throttle control lever all the way back will stop **STOP** the engine.

## TO USE PRIMER BUTTON

- Push primer button  five times. See page 6 figure for location. Wait about two seconds between each push.

**NOTE:** Do not use primer button to restart a warm engine after a short shut-down.

## TO USE THE DEPTH CONTROL LEVER

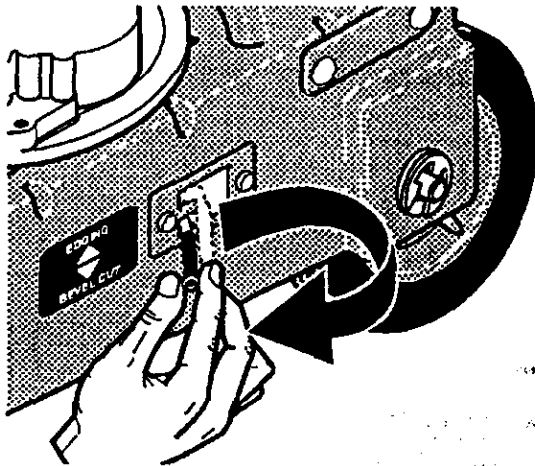
- Position your Edger in desired edging location, before operating.
- Start the engine and move the depth control lever back to lower the cutting blade.
- Select the edging depth you need. There are 4 selections up to approximately 2-1/2 inches deep.

**IMPORTANT:** If very deep edging is required, we recommend that a shallow cut be made first, then cut at greater depths until the desired depth is obtained.

**⚠ WARNING:** Keep away from the rotating blade. The blade can cause injury.

## TO USE THE INDEX LEVER (BEVELING OPERATION)

- Stop engine and disconnect the spark plug wire from the spark plug.



### INDEX LEVER IN THE NOTCH MARKED BEVEL CUT

- Pull the index lever out of the edging notch as shown above and position it in the notch marked bevel cut.
- Reconnect the spark plug wire and start the engine. Move the clutch lever to the desired beveling depth.

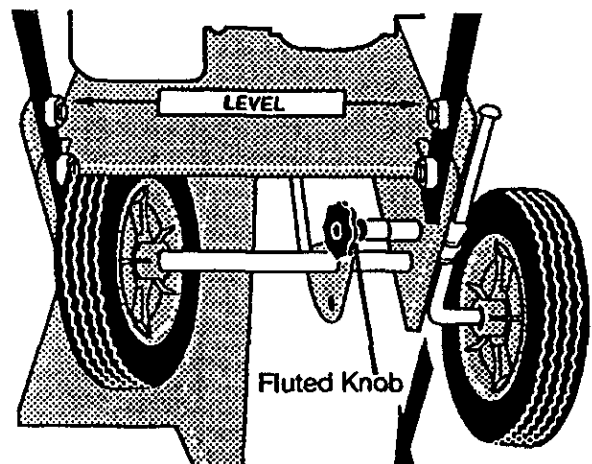
**⚠ CAUTION:** Never leave the Edger unattended while the engine is running. Prior to adjusting the indexing blade position, always raise the cutting blade and stop the engine.

## TO USE CURB HOPPING FEATURE

The adjustable front and right rear wheel feature permits the Edger to be used on

- Stop the engine and disconnect the spark plug wire from the spark plug.
- With the front wheel and the left rear wheel on the top of the curb and supporting the Edger with your right hand, reach into the inside right rear of the main frame and loosen the fluted knob that secures the wheel support rod as shown below.
- As the fluted knob is loosened the rear wheel will slide down.
- Hold the Edger so that the top of the main frame is level with the top of the curb and retighten the fluted knob.
- Turn the Edger so that the front wheel will be on the same surface as the right rear wheel. The left rear wheel is on top of the curb and the right rear wheel is supporting the Edger on the lower surface.
- While standing on the right side of the Edger, loosen the T-knob on the front wheel bracket.
- With your left hand, lift the front of the Edger using the T-knob until the main frame is again level with the top of the curb.
- With your right hand, push the front wheel down until the wheel makes contact with the surface below.
- Hold the front of the main frame level with your right hand and retighten the T-knob with your left hand. Check level of main frame to top of curb and make any adjustments.
- Reconnect the spark plug wire and start the engine. The depth of cut adjustment is the same as described in Edging Operation paragraph.

**WARNING:** Keep away from the rotating blade. The blade can cause injury.





## TO USE THE BEVEL CUT FEATURE

Bevel edging reduces the need to edge as often creating a type of trench along your sidewalk, driveway and etc. Move the index lever to the bevel cut position and secure index lever in the slot. Prior to starting the engine, line the Edger up as if you were going to bevel cut and move the depth control lever down to test the blade location. Return the depth control lever to the forward slot of the adjustment bracket to raise the blade. Start the engine and move the depth control lever to the desired depth of cut.

## BEFORE STARTING ENGINE

### PRE-USE CHECK OF CONTROLS

All controls should be checked for proper function before servicing or starting the engine.

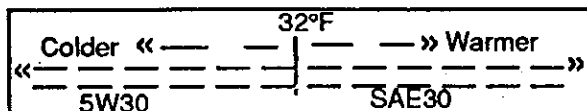
- Move the depth control lever into all four positions in the selector plate. Make sure the depth control lever snaps into all four holes as shown in figure on page 6:
- Return the depth control lever to the forward hole in the selector plate.

### FILL/ADD OIL:

This Edger was shipped with a 20 ounce container of SAE30 motor oil. This oil must be added to the engine before operating. Remove the oil fill cap/dipstick and fill the crankcase to FULL line on dipstick. Your engine may not require the entire 20 ounces of oil. **DO NOT OVERFILL.** Tighten the fill cap/dipstick securely each time you check the oil level.

### OIL RECOMMENDATIONS

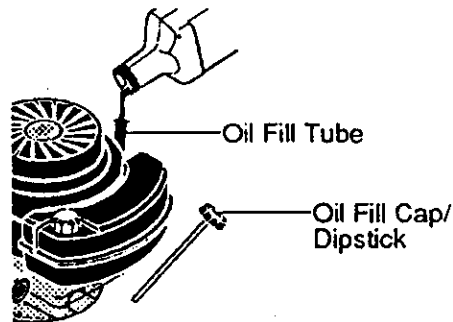
Only use high quality detergent oil rated with API service classification SG. Select the oil's SAE viscosity grade according to your expected operating temperature:



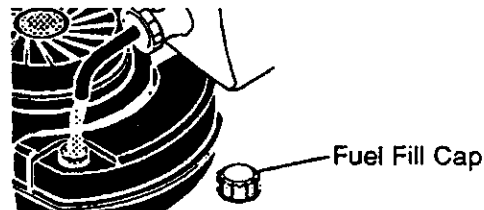
**NOTE:** Although multi-viscosity oils (5W30, 10W30, etc.) improve starting in cold weather, these multi-viscosity oils will result in increased oil consumption when used above 32°F. Check your engine oil level more frequently to avoid possible engine damage from running low on oil.

## TO ADD ENGINE OIL

- Place the Edger on a level surface.
- Remove the oil fill cap/dipstick as shown in next figure.
- Fill the engine crankcase, pouring slowly. **DO NOT OVERFILL.** For approximate capacity see **PRODUCT SPECIFICATIONS** on page 11 of this manual.
- Reinstall the oil fill cap/dipstick and tighten securely. Wipe away excess oil.
- Check oil before each use. Add if needed.



**CAUTION:** Never fill the gas tank while the engine is running or hot. Immediately wipe off any spilled gasoline before attempting to start the engine.



### FILL GAS:


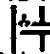
Fill the fuel tank with clean, fresh, unleaded grade automotive gasoline. Be sure that the container you pour the gasoline from is clean and free from dust or other foreign particles. Never use gasoline that may be stale from long periods of storage in the container. Reinstall fuel cap.

**WARNING:** Experience indicates that alcohol blended fuels (called gasohol or using methanol) can attract moisture which leads to separation and formation of acids during storage. Acidic gas can damage the fuel system of an engine while in storage. To avoid engine problems, the fuel system should be emptied before storage of 30 days or longer. Drain fuel tank, start engine and let it run until fuel lines and carburetor are empty. Use fresh fuel next season. See Storage Instructions for additional information. Never use engine or carburetor cleaner products in the fuel tank or permanent damage may occur.

**⚠ WARNING:** Gasoline is flammable and caution must be used when handling or storing it. Do not fill fuel tank while Edger is running, hot, or when Edger is in an enclosed area. Keep away from open flame, electrical spark, and do not smoke while filling the fuel tank. Never fill fuel tank completely; but fill the tank to within 1/4-1/2 inch from the top to provide space for expansion of fuel. Always fill fuel tank outdoors and use a funnel or spout to prevent spilling. Make sure to wipe up any spilled fuel before starting the engine. Store gasoline in a clean, approved container, and keep the cap in place on the container. Keep gasoline in a cool, well ventilated place; never in the house. Never buy more than a 30 day supply of gasoline to ensure volatility. Gasoline is intended to be used as a fuel for internal combustion engines; therefore, do not use gasoline for any other purpose. Since many children like the smell of gasoline, keep it out of their reach because the fumes are dangerous to inhale, as well as being explosive.

## TO START THE ENGINE

Before starting the engine, be sure you have read and understood all the instructions on the preceding pages. The edger is equipped with a recoil starter. The operation of the engine is controlled by the throttle control lever. See page 6.

- Push the depth control lever forward and latch in the forward slot of the adjustment bracket to raise the blade.
- Move the throttle control lever, see figure on page 6, to the FAST  position.
- Push primer button  five times, see figure on page 6. Wait about two seconds between each push.



**NOTE:** Do not use primer to restart a warm engine after a short shutdown.

- Pull the engine control lever back to contact the upper handle tube and hold the edger handle and control lever firmly with your left hand.
- To start engine, grasp the engine starter handle firmly with your right hand.
- Pull back sharply on the recoil starter handle. **DO NOT** allow the starter rope to snap back, let it rewind slowly while

**NOTE:** If engine fails to start after three pulls, push primer button two times and pull starter rope again.

- When the engine starts, run at full engine speed during normal use.

**NOTE:** The cutting blade speed is controlled by the engine speed. To reduce the cutting blade speed, push back on the throttle control lever. To increase the blade speed, push the throttle control lever forward.

- To stop  the engine, make sure the depth control lever is all the way forward and release the engine control lever to the stop position or push the throttle control lever to stop . See figure on page 6.

**⚠ WARNING:** Never run the engine indoors or in a poorly ventilated area. Engine exhaust contains carbon monoxide, an odorless gas and deadly gas. Keep hands, feet, hair and loose clothing away from any moving parts on the engine or edger. Avoid the muffler and surrounding areas. Temperatures may exceed 150° F.

## EDGING TIPS

- Edging is best performed when conditions are dry. If the soil is too wet, dirt becomes packed in and around the blade causing premature belt wear and decreased performance.
- If dirt does become packed around the blade, stop the engine, remove the spark plug wire, and remove the packed debris before continuing to edge.
- If very deep edging is required, we recommend that a shallow cut be made first, then cuts at greater depth until the desired depth is obtained.
- Uniform edging can be performed when the blade guide (see figure on page 6) rides on and against the surface which you are edging.
- Edging can be customized by varying the number of passes and by the distance your blade is from the surface you are

# MAINTENANCE

## CUSTOMER RESPONSIBILITIES

SERVICE RECORDS Fill in dates as you complete regular service	SCHEDULE								SERVICE DATES		
	After First 2 Hours	Before Each Use	Frequently	Every 5 Hours	Every 10 Hours	Every 25 Hours	Begin Each Season	Before Storage			
Lubricate all Pivot Points					✓			✓			
Lubricate Wheel Axles						✓		✓			
Check Engine Oil Level		✓									
Change Engine Oil	✓					✓	✓				
Replace Air Cleaner Filter							✓				
Check Spark Plug						✓	✓				
Check Drive Belt			✓								
Tighten All Screws and Nuts	✓		✓								
Check Blade Wear/Damage			✓								
Lubricate Quill Rod/Tube					✓		✓	✓			

### PRODUCT SPECIFICATIONS

HORSE POWER:	4
DISPLACEMENT:	9.06 cu. in. (148 cc)
GASOLINE CAPACITY:	1.25 qt. (unleaded regular)
LUBRICATION:	20 oz. SAE-30W
SPARK PLUG: (Gap .030)	Champion RJ19LM or Equivalent

**NOTE:** If the Edger is being used in sandy or dusty areas, change the oil more frequently to prevent premature engine wear.

#### TO CHANGE ENGINE OIL

- Disconnect the spark plug wire from the spark plug.
- Remove the oil drain plug as shown in first figure on page 12 and drain the oil into a flat pan.
- After draining all the oil, reinstall the oil drain plug securely.

**NOTE:** The oil will drain more freely when the engine is warm.

- Remove the oil fill cap/dipstick. See first figure on page 9.
- Fill the engine crankcase, pouring slowly. **DO NOT OVERFILL.** For approximate capacity see PRODUCT SPECIFICATIONS on this page.

### GENERAL RECOMMENDATIONS

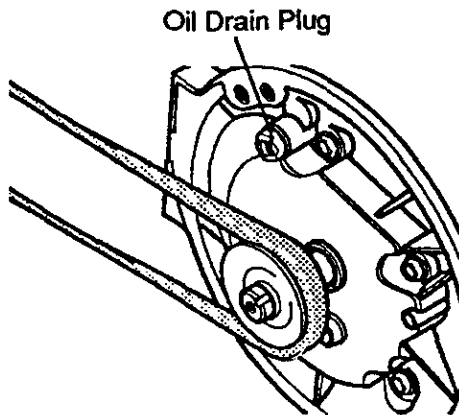
The warranty on this Edger does not cover items that have been subjected to operator abuse or negligence. To receive full value from the warranty, the operator must maintain the Edger as instructed in this manual. The above chart is provided to assist the operator in properly maintaining the Edger.

### LUBRICATION

- After each 25 hours of use of your Edger, apply light machine oil to all moving parts, particularly the wheels.
- We recommend that the oil in the engine crankcase be changed after the first 2 hours of operation and after each 25 hours of use thereafter.

**NOTE:** The quill assembly bearings are factory sealed and will require no lubrication.

- Reconnect the spark plug wire on the spark plug.

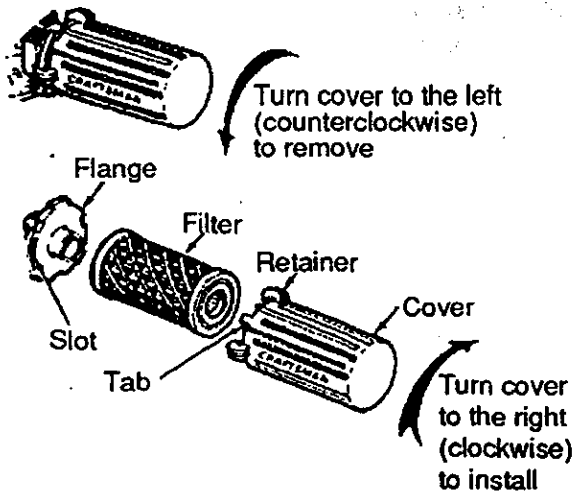


## AIR CLEANER

Replace the filter once a year; more often under dusty or dirty conditions. **DO NOT** attempt to clean or oil the air filter.

To install a new air filter, do the following:

- Disconnect the spark plug wire from the spark plug.
- Turn the cover as shown below to the left (counterclockwise) and remove the cover and the air filter from the flange.
- Discard the air filter.
- Clean the cover and the flange thoroughly.
- Insert the new air filter into the cover.
- Push the cover firmly against the flange and turn it to the right (clockwise) as far as it will go as shown in figure below. Be sure the retainers are locked around the flange.
- Reconnect the spark plug wire.



**CAUTION:** Never run the engine without the air cleaner element installed. A defective air cleaner can result in loss of engine power and can cause excessive wear or damage to the engine components if dirt or dust is permitted to enter the engine through the carburetor. A damaged air cleaner, or one that is clogged with dust or dirt should be replaced immediately.

## SPARK PLUG

Clean the spark plug and reset the gap periodically. Clean the area around the spark plug base before removal, to prevent dirt from entering the engine. Replace the spark plug if the electrodes are pitted or burned or if the porcelain is cracked. Clean the spark plug by carefully scraping the electrodes (do not sand blast or use a wire brush). Be sure the spark plug is clean and free of foreign material. Check the electrodes gap with a wire feeler gauge and reset to .030 in. if necessary. If a new spark plug is needed, refer to the **PRODUCT SPECIFICATIONS** on page 11 for the proper replacement spark plug.

Before reinstalling the spark plug, coat the threads lightly with graphite or light oil to insure easy removal. Tighten the spark plug firmly into the engine. If a torque wrench is available, torque the spark plug to 15 foot-pounds.

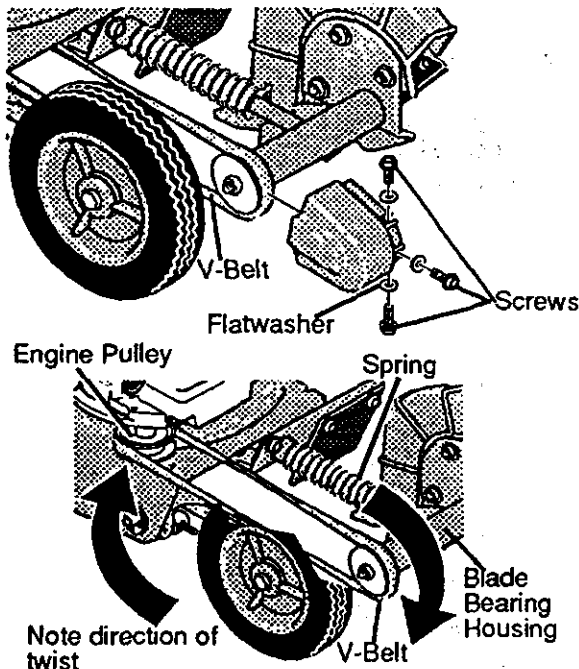
## SERVICE AND ADJUSTMENTS

**⚠ CAUTION:** Always stop the engine and disconnect the spark plug wire before making any repairs to the Edger.

### V-BELT REPLACEMENT

Your edger is equipped with a V-belt made of a special compound. If the belt becomes worn or breaks, replace it with an original equipment belt as shown in the Repair Parts section of this manual. Never use a substitute.

- Disconnect the spark plug wire.
- Drain gasoline and oil from Edger.
- Tip Edger backwards on handle and block top of handle against wall or bench.
- Remove three screws and flatwashers from the belt guard as shown in figure below.



- Push blade bearing housing back towards engine to compress spring and release tension on belt.
- Remove old belt (carefully note direction of twist around engine pulley).
- While spring is compressed, install new belt on quill and engine pulleys being sure to twist belt in proper direction as shown in figure above.

**NOTE:** If belt is not installed properly the blade will not turn in the proper direction and could damage the blade or belt. Refer to figure above for proper direction of belt travel.

### BLADE REPLACEMENT

The cutting blade is subject to wear and damage such as nicks and dents. This will not generally affect its function.

This blade is specially designed to not require sharpening. Do not attempt to sharpen this blade. If worn or damaged the blade should be replaced.

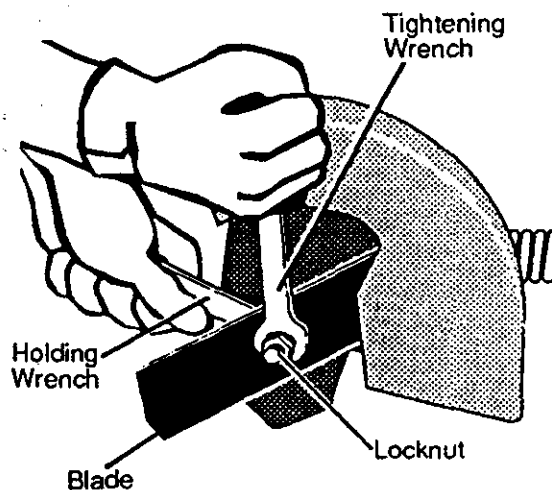
**CAUTION:** When removing or tightening the blade nut, always use the method shown in figure below. The holding wrench must always be positioned on the nut behind the cutting blade.

**⚠ CAUTION:** Do not attempt to sharpen this blade. You could cause damage to the blade which could result in breakage and possible user or bystander injury.

To replace the blade, do the following:

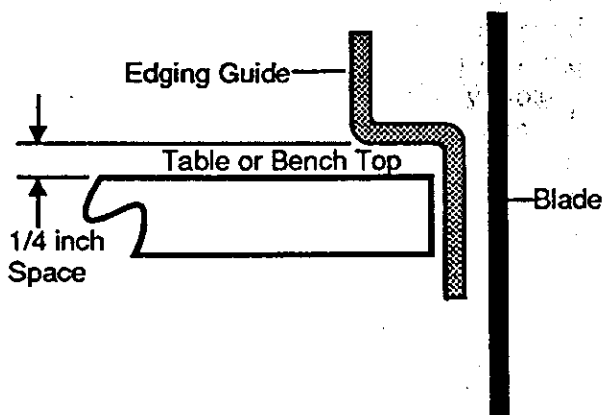
- Disconnect spark plug wire.
- Remove the 1/2-20 locknut shown in figure below securing the blade to the drive shaft.
- Remove the blade.
- IMPORTANT:** Note the position of the washer and the blade cutting edge to ensure proper re-assembly. The blade is marked **THIS SIDE OUT**.
- Position the replacement blade against the washer on the drive shaft and secure with flange nut. Be sure to tighten nut securely to 40-45 ft. lbs.
- Reconnect the spark plug wire.

**WARNING:** Always wear gloves when working on blade, it is sharp.

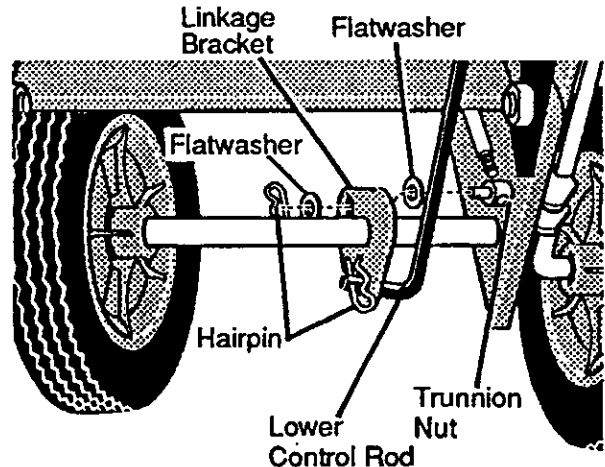


## LEVELING ADJUSTMENT

- When the depth control lever is in the forward adjustment slot, the engine platform should be approximately level and the edging blade tip should be 1-1/4 to 1-1/2 inches above the surface of the ground.
- When the depth control lever is in the rear adjustment slot the edging guide (see figure below) should be approximately 1/4 inch above the surface which you are edging and the blade tip should be 2-5/8 to 2-7/8 inches below the surface of the ground. The two middle adjustment slots provide shallower edging depths.
- To adjust the depth control lever to give proper blade positions, remove the spark plug wire from the spark plug. Place the Edger on a work bench or sturdy table. Position Edger so that the blade can extend below the top of the table or work bench, put the depth control lever in the rear adjustment slot and place a 1/4 inch thick shim between the edging guide and the top of the bench or table, see figure below. Remove the hairpin from the trunnion nut in the lower control rod and slide the post out of the hole in the linkage bracket. Turn the trunnion nut in (clockwise) to raise the blade and out (counter



clockwise) to lower the blade. See figure below. The adjustment is correct when there is a 1/4 inch space between the edging guide and the bench or table top. When the rod is adjusted correctly, insert the trunnion nut and washers on the rod into the hole in the linkage bracket and replace the hairpin in the hole in the post as shown below.



- When the adjustment procedure is complete, put the Edger back on the floor and install the spark plug wire on the spark plug. Move depth control lever prior to starting to check assembly.

## CARBURETOR ADJUSTMENT

The carburetor has been pre-set at the factory and readjustment should not be necessary. However, if the carburetor does need to be adjusted, contact your nearest Craftsman Service Center.

**IMPORTANT:** Never tamper with the engine governor, which is factory set for proper engine speed. Overspeeding the engine above the factory high speed setting can be dangerous. If you think the engine-governed high speed needs adjusting, contact your nearest Craftsman Service Center, which has the proper equipment and experience to make any necessary adjustments.

## STORAGE

**⚠ WARNING:** Never store your Edger indoors or in an enclosed, poorly ventilated area. If gasoline remains in the tank, fumes may reach an open flame, spark or pilot light from a furnace, water heater, clothes dryer, cigarette, etc.

### EDGER

- Clean the Edger thoroughly; remove all debris and wipe the unit dry.
- Inspect the Edger for worn or damaged parts and tighten all loose hardware.
- Oil all points described in the Lubrication paragraph in the MAINTENANCE section of this manual.
- Store the Edger in a protected area and cover for additional protection.

**IMPORTANT:** A yearly checkup or tune-up by a Craftsman Service Center is a good way of ensuring that your Edger will provide maximum performance for the next season.

### ENGINE

**IMPORTANT:** It is important to prevent gum deposits from forming in essential fuel system parts such as the carburetor, fuel filter, fuel hose, or tank during storage. Also, experience indicates that using alcohol-blended fuels (called gasohol, ethanol or methanol) can attract moisture which leads to separation and formation of acids during storage. Acidic gas can damage the fuel system of an engine while in storage.

To prevent engine damage (if Edger is not used for more than 30 days) follow the steps below.

- To remove gasoline, run the engine until the tank is empty and the engine stops.
- If you do not want to remove gasoline, a fuel stabilizer (such as Craftsman fuel stabilizer No. 33500) may be added to any gasoline left in the tank to minimize gum deposits and acids. If the tank is almost empty, mix stabilizer with fresh gasoline in a separate container and add some to the tank. Always follow instructions on stabilizer container. Then run engine at least 10 minutes after stabilizer

is added to allow mixture to reach carburetor. Store Edger in a safe place. See warning on this page.

- Store the Edger in the wheels-down; operating position. If the Edger is stored in any other position, oil from the crankcase could enter the cylinder, causing a service problem.

You can keep your engine in good operating condition during storage by:

- Changing oil.
- Lubricating the piston/cylinder area. This can be done by first removing the spark plug and squirting clean engine oil into the spark plug hole. Then cover the spark plug hole with a rag to absorb oil spray. Next, rotate the engine by pulling the starter two or three times. Finally, reinstall spark plug and attach spark plug wire.

## TROUBLE SHOOTING

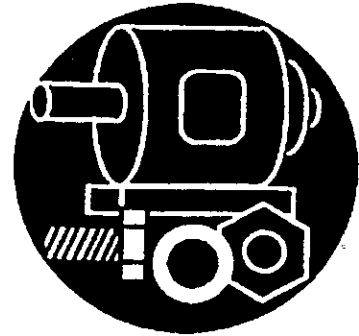
TROUBLE	CAUSE	CORRECTION
<b>Difficult starting</b>  or  <b>Engine runs erratically</b>	Stale fuel	Drain fuel tank. Fill with fresh fuel
	Defective spark plug	Clean and re-gap spark plug
	Clogged fuel line	Replace fuel filter
	Blocked fuel line or empty fuel tank	Clean fuel line; check gas tank
	Carburetor out of adjustment	Have carburetor adjusted
	Fouled spark plug	Clean and adjust gap, replace
	Clogged air cleaner	Replace air filter
<b>Cutting blade fails to turn</b>	Jammed due to foreign object	Clear obstruction
	Loose blade	Tighten blade retaining nut
	Defective belt	Replace V-belt
	Defective quill bearings	Replace the bearings
<b>Blade fails to cut properly</b>	Damaged or worn blade	Replace blade
<b>Excessive vibration</b>	Loose parts	Stop engine immediately; tighten all bolts. If vibration continues, take the unit into the nearest Craftsman Service Center
<b>Engine will not shut off when engine control lever is released</b>	Handle hardware is not cutting into tube	Tighten bolts until the head of the bolt cuts into the tubing



For the repair or replacement parts you  
need delivered directly to your home  
Call 7 am-7 pm, 7 days a week  
**1-800-366-PART**

(1-800-366-7278)

Para ordenar piezas con entrega  
a domicilio -1-800-659-7084



For in-house major brand repair service  
Call 24 hours a day, 7 days a week  
**1-800-4-REPAIR**

(1-800-473-7247)

Para pedir servicio de reparación a  
domicilio - 1-800-676-5811



For the location of a Sears Parts and  
Repair Center in your area  
Call 24 hours a day, 7 days a week  
**1-800-488-1222**



For information on purchasing a Sears  
Maintenance Agreement or to inquire  
about an existing Agreement  
Call 9 am -5pm, Monday-Saturday  
**1-800-827-6655**



When requesting service or ordering  
parts, always provide the following  
information:

- Product Type
- Part Number
- Model Number
- Part Description

**SEARS**  
**REPAIR SERVICES**

*America's Repair Specialists*