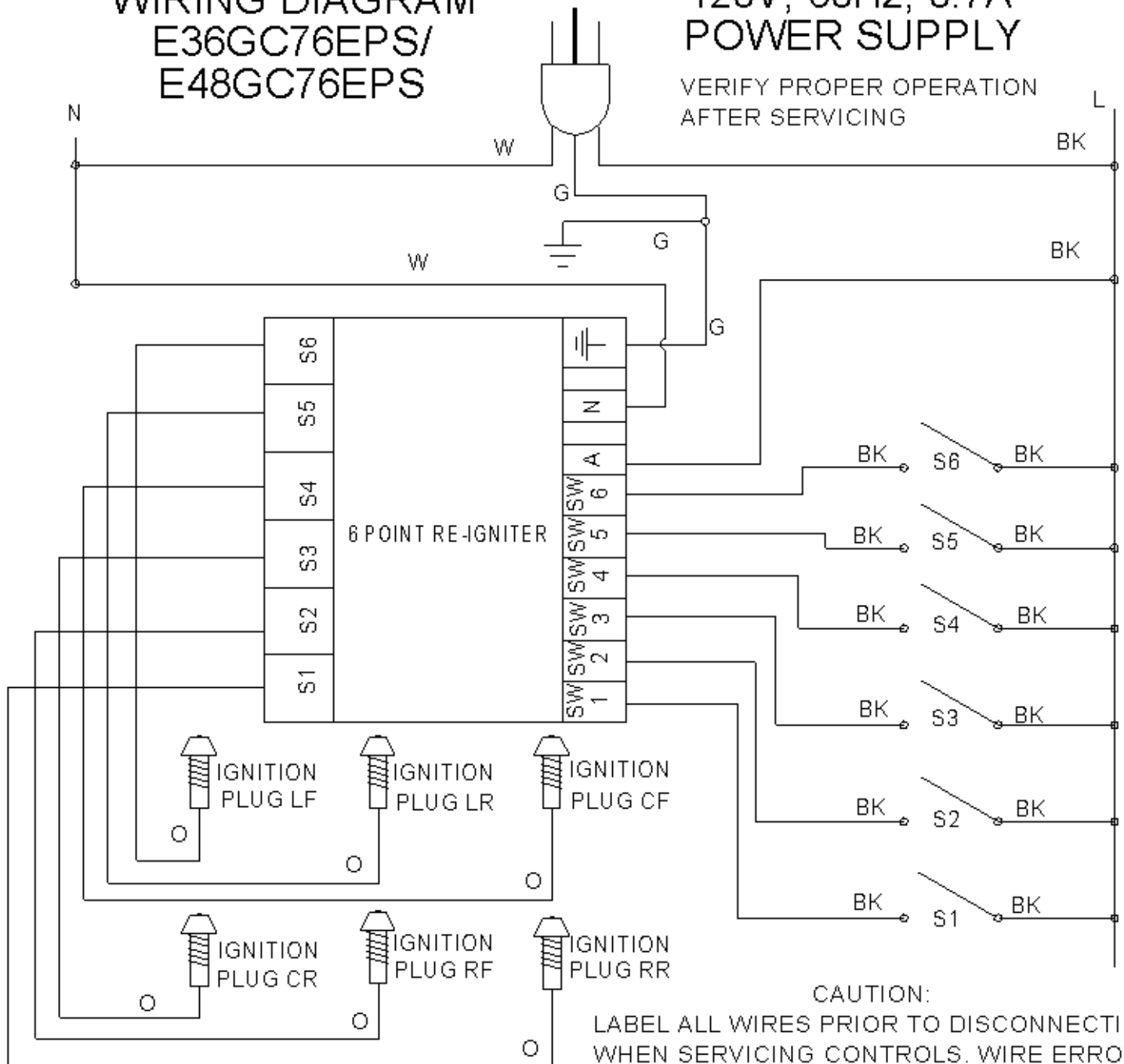


# WIRING DIAGRAM E36GC76EPS/ E48GC76EPS

120V, 60Hz, 0.7A  
POWER SUPPLY

VERIFY PROPER OPERATION  
AFTER SERVICING



**CAUTION:**

LABEL ALL WIRES PRIOR TO DISCONNECTION  
WHEN SERVICING CONTROLS. WIRE ERRORS  
CAN CAUSE IMPROPER AND DANGEROUS  
OPERATION.