

LEGEND

- SW. - SWITCH
- O.C. - OVEN CONTROL
- S.S. - SELECTOR SWITCH
- R.F. - RIGHT FRONT
- R.R. - RIGHT REAR
- L.F. - LEFT FRONT
- L.R. - LEFT REAR
- S.L.S. - SURFACE LAMP SWITCH
- O.L.S. - OVEN LAMP SWITCH
- P.L. - PILOT LIGHT
- A.D.S. - AUTO. DOOR SWITCH
- T.P. - THERMAL PROTECTOR
- SM.T. - SMOOTH TOP
- QBF - QUICK BAKE FAN
- QB SW. - QUICK BAKE SW.

COLORS

- B. BLACK
- G. GREEN
- W. WHITE
- R. RED
- O. ORANGE
- Y. YELLOW
- BR. BROWN
- BL. BLUE

CODE

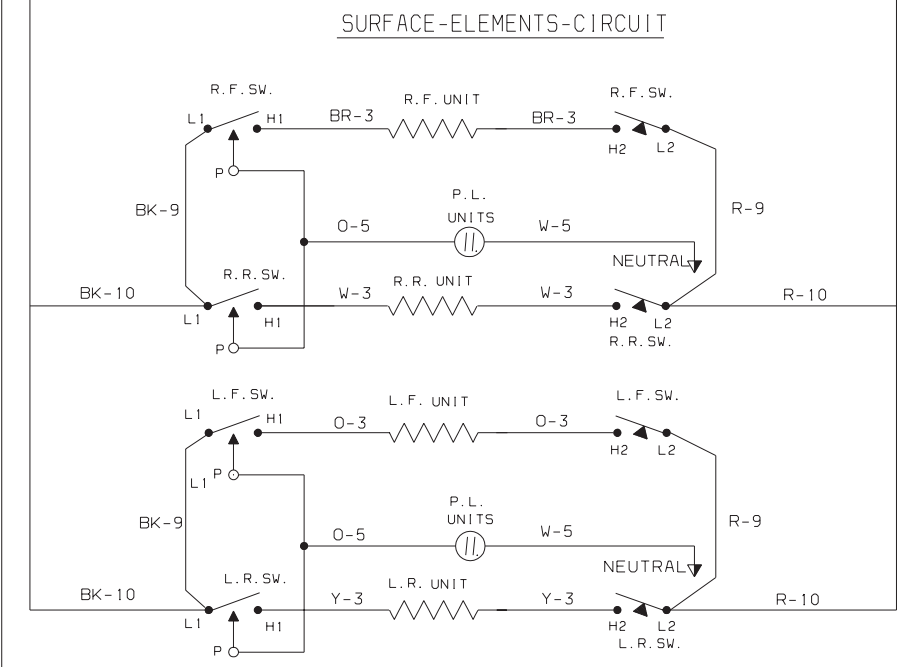
STYLE

CODE	GAUGE/CAL.	TEMP. °C	CSA	UL
1	10	150	EXL-150	3321
2	16	125	CL1251	3173
3	16	200	SEW-1	3122
4	18	125	CL1251	3173
5	18	150	EXL-150	3321
6	14	125	CL1251	3173
7	12	125	CL1251	3173
8	18	200	SEW-1	3122
9	16	150	EXL-150	3321
10	14	150	EXL-150	3321
11	12	150	EXL-150	3321

UNIT RATING

RATED VOLTAGE : 240 V.

OVEN ELEMENTS	WATTS +5% & -10%		OHMS
	BAKE	2400	
	3000	19.2	
	3400	14.2	
BROIL	2750	20.8	



LEGEND

- ON
- X =
- OFF
- O =
- Cy = CYCLING

CONDITION

CONDITION	OVEN CONTROL	SELECTOR				P. L.
	L1-1	B-4	B-3	L-BR	L-BA	OVEN
OFF	O	O	O	O	O	O
BAKE	Cy	X	O	O	X	Cy
BROIL	Cy	X	O	X	O	Cy
TIMED BAKE DELAY OPTIONAL * AFTER DELAY	Cy*	O	X	O	X	Cy*

NOTE:

COMPONENTS SHOWN ARE NOT NECESSARILY USED ON ALL MODELS.

CAUTION: DISCONNECT CURRENT BEFORE REMOVING REAR COVER.

318045083REV. A