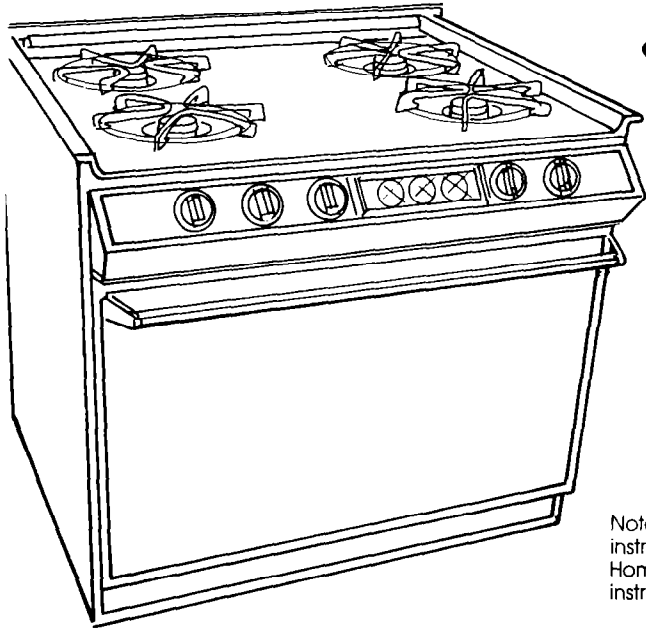


Installation Instructions



Whirlpool

Home Appliances

Note: Installer: Leave installation instructions with the homeowner.
Homeowner: Keep installation instructions for future reference.

30" Set-in Gas Range

Washers, Clothes Dryers, Freezers, Refrigerators-Freezers, Ice Makers, Dishwashers, Built-In Ovens and Surface Units, Ranges, Microwave Ovens, Compactors, Room Air Conditioners, Dehumidifiers, Automatic Washers, Clothes Dryers, Freezers, Refrigerators-Freezers, Ice Makers, Dishwashers, Built-In Ovens a



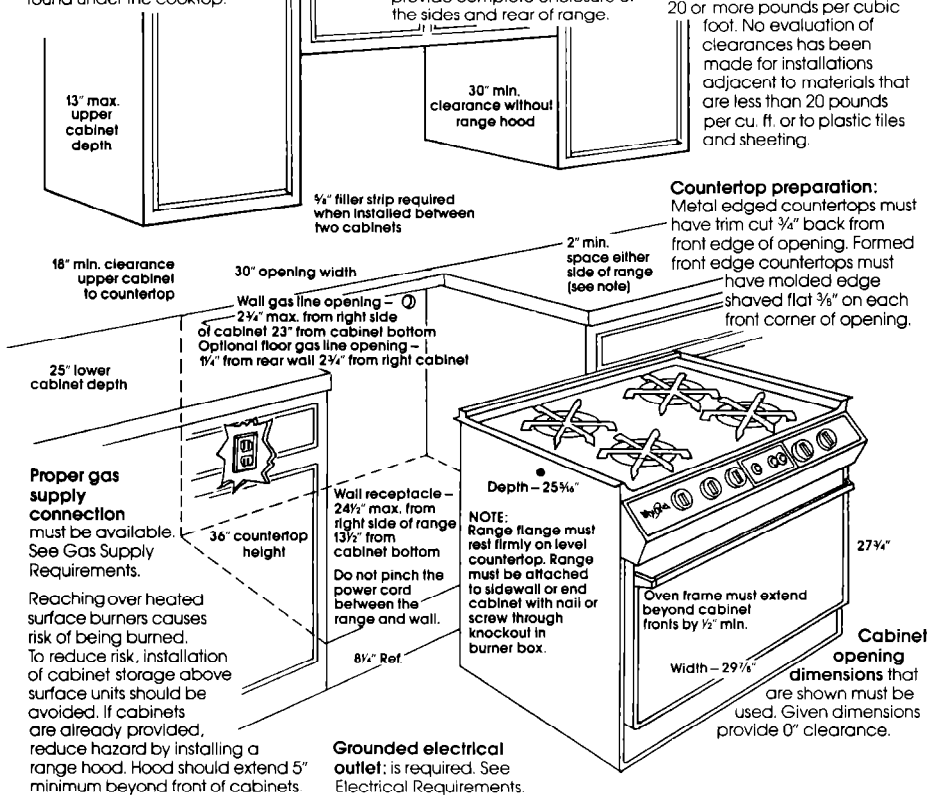
Before you start...

Proper installation is your responsibility. Make sure you have everything necessary for correct installation. It is the responsibility of the installer to comply with the installation clearance specified on the serial/rating plate. The serial/rating plate can be found under the cooktop.

Check location where range will be installed. The location should be away from strong draft areas, such as windows, doors, and strong heating vents or fans. The range should be located for convenient use in the kitchen. Recessed installations must provide complete enclosure of the sides and rear of range.

ALL OPENINGS IN THE WALL OR FLOOR WHERE THE RANGE IS TO BE INSTALLED MUST BE SEALED.

Note: Clearances specified are for combustible walls and materials that have a density of 20 or more pounds per cubic foot. No evaluation of clearances has been made for installations adjacent to materials that are less than 20 pounds per cu. ft. or to plastic tiles and sheeting.



FOR YOUR SAFETY

If you smell gas:

1. Open windows.
2. Don't touch electrical switches.
3. Extinguish any open flame.
4. Immediately call your gas supplier.

FOR YOUR SAFETY

Do not store or use gasoline or other flammable vapors and liquids in the vicinity of this or any other appliance.

FOR YOUR SAFETY

Do not obstruct the flow of combustion and ventilation air.

FOR YOUR SAFETY

The maximum gas supply pressure for this gas range must not exceed 14 inches W.C.P.

Important: Observe all governing codes and ordinances. Failure to meet codes and ordinances could lead to fire or electrical shock hazard.

Mobile Home Installation

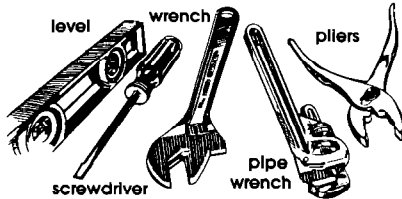
The installation of this range must conform to the Manufactured Home Construction and Safety Standards, Title 24 CFR, Part 32-80 (formerly the Federal Standard for Mobile Home Construction and Safety, Title 24, HUD (part 280)).

Copies of the standards listed may be obtained from:

* American Gas Association
1515 Wilson Boulevard
Arlington, Virginia 22209

** National Fire Protection Association
Batterymarch Park
Quincy, Massachusetts 02269

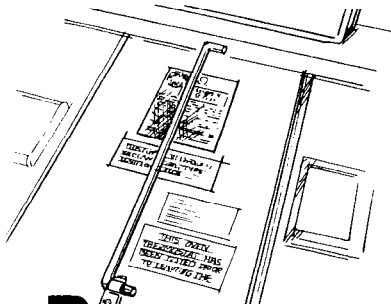
Tools needed for installation.



Gas Supply Requirements

Observe all governing codes and ordinances.

A. This installation must conform with local codes and ordinances. In the absence of local codes, installation must conform with American National Standard, National Fuel Gas Code ANSI Z223.1-1984.*



B. Input ratings shown on the serial/rating plate are for elevations up to 2,000 feet. For elevations above 2,000 feet, ratings should be reduced at a rate of 4% for each 1,000 feet above sea level.

C. This range is equipped for use with NATURAL gas. It is certified by A.G.A. for NATURAL and L.P. gases with appropriate conversion. The serial/rating plate located under the cooktop has information on the type of gas that can be used. If this information does not agree with the type of gas available, check with the local gas supplier. See backcover for L.P. gas conversion instructions.

D. Provide a gas supply line of 3/4" rigid pipe to the range location. Pipe joint compounds resistant to the action of L.P. gas must be used. With L.P. gas, piping or tubing size can be 1/2" minimum. L.P. gas suppliers usually determine the size and materials used on their system.

E. If local codes permit, A.G.A. certified flexible metal tubing (new) is recommended for connecting this range to the gas supply line. Do not kink or damage the flexible tubing when moving the range. A 1/2" male pipe thread is needed for connection to pressure regulator female pipe threads.

F. The supply line should be equipped with a shut-off valve. This valve should be located in the same room as the range and should be in a location that allows ease of opening and closing. Do not block access to shut-off valve. This range is equipped with an oven burner shut-off valve located on the range manifold.

G. If rigid pipe is used as a gas supply line, a combination of pipe fittings must be used to obtain an in-line connection to the range. All strainers must be removed from the supply and fuel lines so range will be level and in line.

H. The inlet pressure to the regulator should be as follows for both operation and checking regulator setting:

NATURAL GAS:
Minimum pressure 7 inches
Maximum pressure 14 inches
L.P. GAS:
Minimum pressure 11 inches
Maximum pressure 14 inches

I. The range and its individual shut-off valve must be disconnected from the gas supply piping system during any pressure testing of that system at test pressures in excess of 1/2 psig (3.5 kPa). The range must be isolated from the gas supply piping system by closing its individual manual shut-off valve during any pressure testing of the gas supply piping system at test pressures equal to or less than 1/2 psig (3.5 kPa).

Electrical Requirements

Warning: Improper connection of the equipment grounding conductor can result in a risk of electrical shock.

A 120 Volt, 60 Hz, AC only, 15 Ampere fused electrical supply is required (time-delay fuse or circuit breaker is recommended). It is recommended that a separate circuit serving only this appliance be provided. **DO NOT USE AN EXTENSION CORD.**

A wiring diagram is included in literature package. The wiring diagram is also located on the back of the range.

Recommended Grounding Method

DO NOT, UNDER ANY CIRCUMSTANCES, REMOVE THE POWER SUPPLY CORD GROUNDING PRONG.

For your personal safety, this appliance must be grounded. This appliance is equipped with a power supply cord having a 3-prong grounding plug. To minimize possible shock hazard, the cord must be plugged into a mating 3-prong grounding type wall receptacle, grounded in accordance with the National Electrical Code, ANSI/NFPA 70-1984 and local codes and ordinances. See Figure 1. If a mating wall receptacle is not available, it is the personal responsibility and obligation of the customer to have a properly grounded 3-prong wall receptacle installed by a qualified electrician.

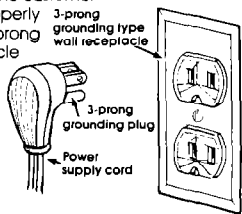


Figure 1

Temporary Grounding Method

DO NOT, UNDER ANY CIRCUMSTANCES, REMOVE THE POWER SUPPLY CORD GROUNDING PRONG.

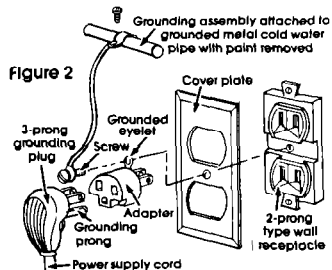


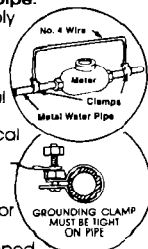
Figure 2

Electrical ground is required on this appliance

If changing and properly grounding the wall receptacle is impossible and where local codes permit (consult your electrical inspector), a temporary adaptor may be plugged into the existing 2-prong wall receptacle to mate with the 3-prong power supply cord.

If this is done, you **must** connect a separate copper grounding wire (No. 18 minimum) to a grounded cold water pipe by means of a clamp and then to the external grounding connector screw. **Do not ground to a gas supply pipe.** Do not connect to electrical supply until appliance is permanently grounded. See Figure 2.

Grounded cold water pipe must have metal continuity to electrical ground and not be interrupted by plastic, rubber or other electrical insulating connectors such as hoses, fittings, washers or gaskets (including water meter or pump). Any electrical insulating connector should be jumped as shown with length of No. 4 wire securely clamped to bare metal at both ends.

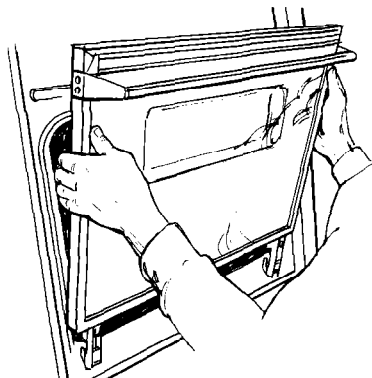


Now Start...

With range in kitchen.

1. Remove racks and other parts from inside oven.
2. Remove shipping materials, tape and protective film from range. Do not remove cardboard shipping base at this time.
3. Plug the electrical cord into the grounded outlet.

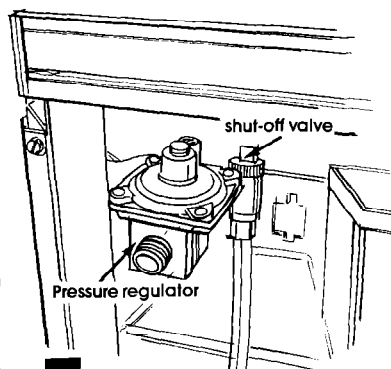
Use caution when moving this appliance to prevent damage to floor coverings. Before moving, slide range onto cardboard or fiberboard to prevent floor damage.



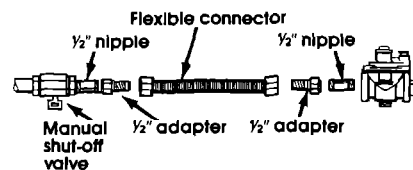
4. Open door to broil stop position and lift door upward to remove door from oven.

5. Move range into final operating position, using oven opening as an area to grip. Discard cardboard shipping piece.

6. Check that range fits snugly on countertop edge. Note: A 5/8" filler strip must be used when installing range between two cabinets. See Panel A.



7. Assemble the flexible connector from the gas supply pipe to the pressure regulator in order: manual shut-off valve, 1/2" nipple, 1/2" adapter, flexible connector, 1/2" adapter, and 1/2" nipple.



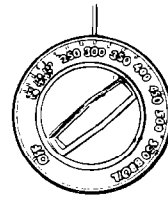
WARNING: THE REGULATOR IS DIE CAST. IF THE CONNECTION IS MADE TOO TIGHT, IT WILL CRACK RESULTING IN A GAS LEAK AND POSSIBLE FIRE OR EXPLOSION.

8. Use pipe joint compound resistant to the action of L.P. gas to seal all gas connections. Check that the shut-off valve is open between the inlet nipple and gas valve. If flexible connectors are used, be certain connectors are not kinked.

9. Open the shut-off valve in the gas supply line. Wait a few minutes for gas to move through the gas line.

10. Use a brush and liquid detergent to test all gas connections for leaks. Bubbles around connections will indicate a leak. If a leak appears, shut off gas valve controls and adjust connections. Then check connections again. **NEVER TEST FOR GAS LEAKS WITH A MATCH OR OTHER FLAME.** Clean all detergent solution from range.

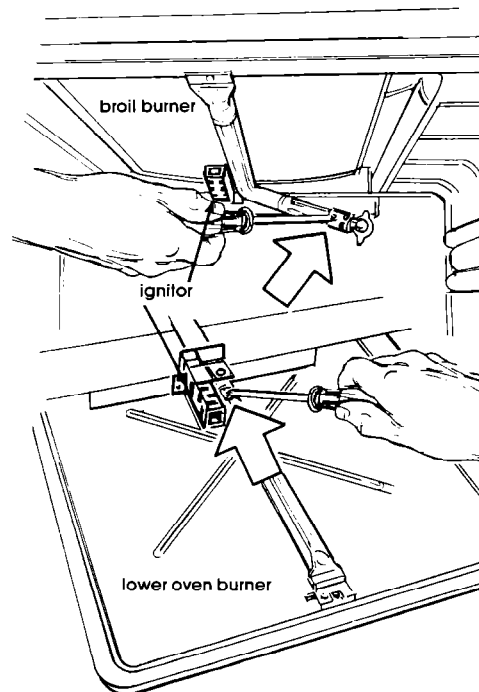
11. Secure range to cabinets with nail or screw through the burner box.



15. Check the operation of the oven burner. Remove oven racks and oven bottom. Push in and turn the oven temperature control knob to 300°F. The oven burner should light in 50 to 60 seconds. This delay is normal. The oven burner valve requires a certain time before it will open and allow gas to flow.



16. Check the oven burners for proper flame. This flame should be ½" long, with inner cone of bluish-green, an outer mantle of dark blue and should be clean and soft in character. No yellow tips, blowing or lifting of flame should occur.

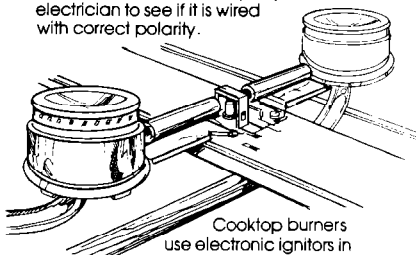


17. If oven flame needs to be adjusted, loosen screw and adjust the air shutter until the proper flame appears. Tighten screw. Replace oven bottom, oven racks and oven door.

Do Not attempt to insert any object into the openings of the protective shield that surrounds the ignitor. Do Not clean this area.

Electronic Ignition System Initial lighting and gas adjustments.

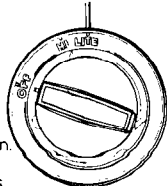
Electronic ignition systems operate within wide voltage limits but proper grounding and polarity is necessary. In addition to checking that the outlet provides 120 volt power and is correctly grounded, the outlet must be checked by a qualified electrician to see if it is wired with correct polarity.



Cooktop burners use electronic ignitors in place of standing pilots. When the cooktop control knob is turned to the "LITE" position, the system creates a spark to light the burner. This sparking continues until the control knob is turned to the desired setting. When the oven control is turned on the ignitor coil generates heat to open the burner valve and allow gas to flow to the burners.

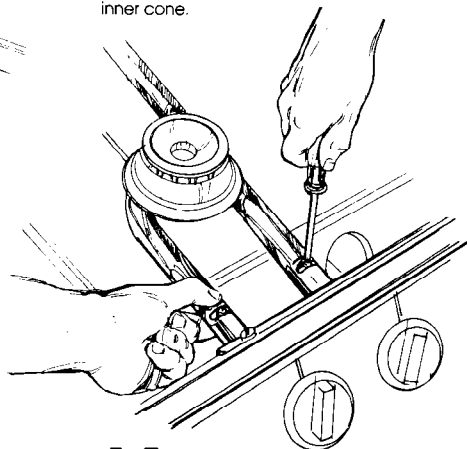
12.

Check the operation of the cooktop burners. Push in and turn each control knob to "LITE" position. The flame should light within 4 seconds. **Do not leave the knob in the "LITE" position after burner lights.**



13.

After burner lights, turn control knob to "HI" position. Check each cooktop burner for proper flame. The small inner cone should have a very distinct blue flame ¼" to ½" long. The outer cone is not as distinct as the inner cone.



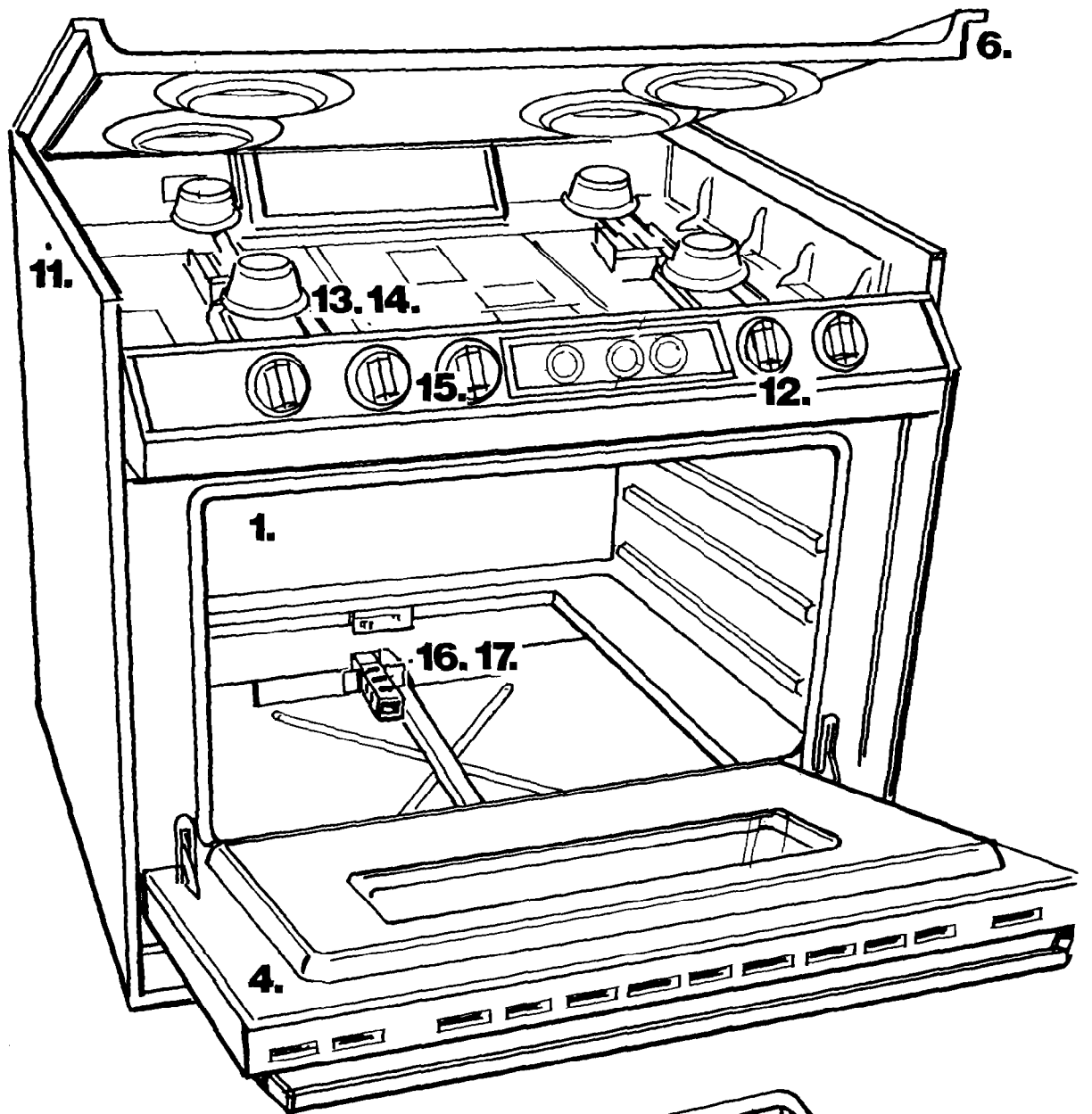
14.

If burners need adjusting for proper flame, adjust the air shutter to the widest opening that will not cause the flame to lift or blow off of the burner. Repeat as necessary with each burner. Replace cooktop.

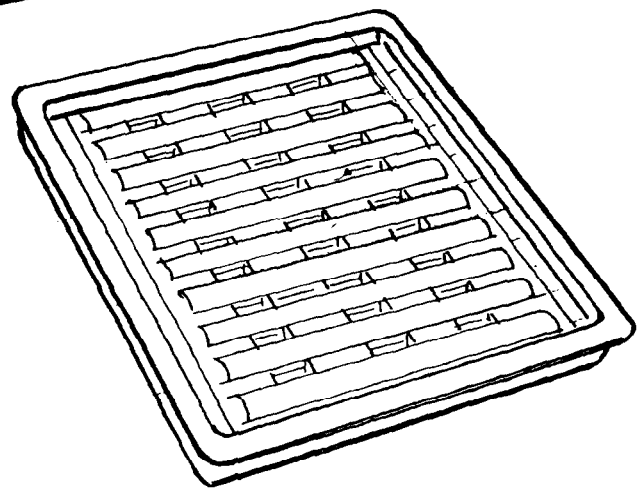
You have just finished installing your new Whirlpool range. To get the most efficient use from your new range, read your Whirlpool Use & Care

Congratulations!

Guide. Keep installation instructions and Guide close to range for easy reference. The instructions will make re-installing your Whirlpool range in another home as easy as the first installation.



Callout numbers correspond to steps.



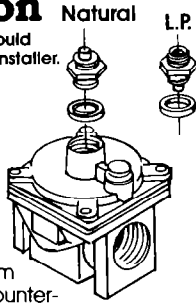
L.P. Gas Conversion

Converting to L.P. gas should be done by a qualified installer.

A. Only a qualified installer should install or adjust your gas range.

Pressure Regulator:

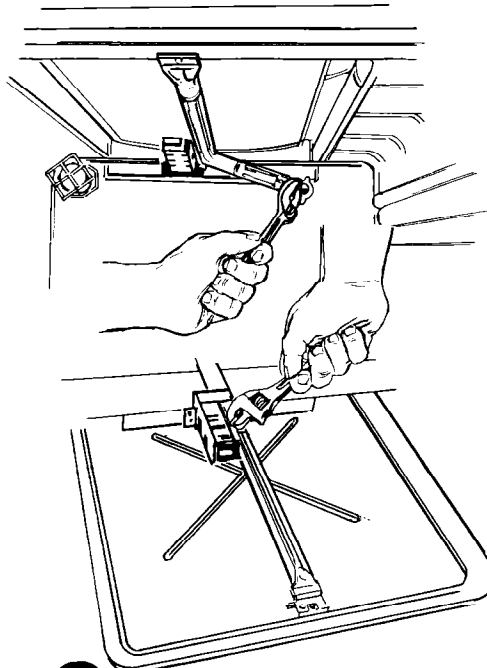
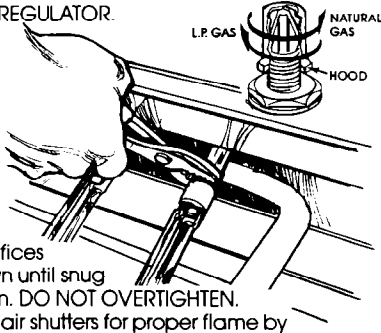
Use a wrench to unscrew the cap from the top by turning counter-clockwise. Turn the cap over so the hole end is up. Replace the cap and gasket on the regulator. **DO NOT REMOVE THE PRESSURE REGULATOR.**



B.

Cooktop Burners:

Turn the orifices hood down until snug against pin. **DO NOT OVERTIGHTEN.** Adjust the air shutters for proper flame by sliding the air shutter to close or open the shutter as needed. See Panel C, Step 14.



C.

Oven Burner: Remove oven racks and lower panel from oven bottom. Turn the orifice hood down until snug against pin. **DO NOT OVERTIGHTEN.** The burner flame should be 1/2" long when air shutter is correctly adjusted. Loosen screw and adjust the air shutter. Tighten screw. See Panel C, Step 17 Replace oven bottom and racks.

D. After all the burners have been converted to L.P. gas usage and gas line is connected, check for leaks. Use a brush and liquid detergent to test **all** gas connections for leaks. Bubbles around connections will indicate a leak. If a leak appears, shut off gas valve controls and adjust connections. Then check connections again. **NEVER TEST FOR GAS LEAKS WITH A MATCH OR OTHER FLAME.**

