



*Frigidaire*

Factory Parts Catalog

Product No.	CGLMV169DBB	CGLMV169DQB	CGLMV169DSB	CPLMV169DCB
Market	Canada	Canada	Canada	Canada
Color	black	bisque	white	stainless steel
Volts	120	120	120	120
Watts	1000	1000	1000	1000
Wiring Diagram	5995432035	5995432035	5995432035	5995432035
Owner's Guide	316137231	316137231	316137231	316137231
Installation Instructions	316137334	316137334	316137334	316137334

 **Electrolux**

ELECTROLUX MAJOR APPLIANCES  
NORTH & LATIN AMERICA  
6150 McLaughlin Road  
Mississauga, Ontario, Canada L5R 1K6

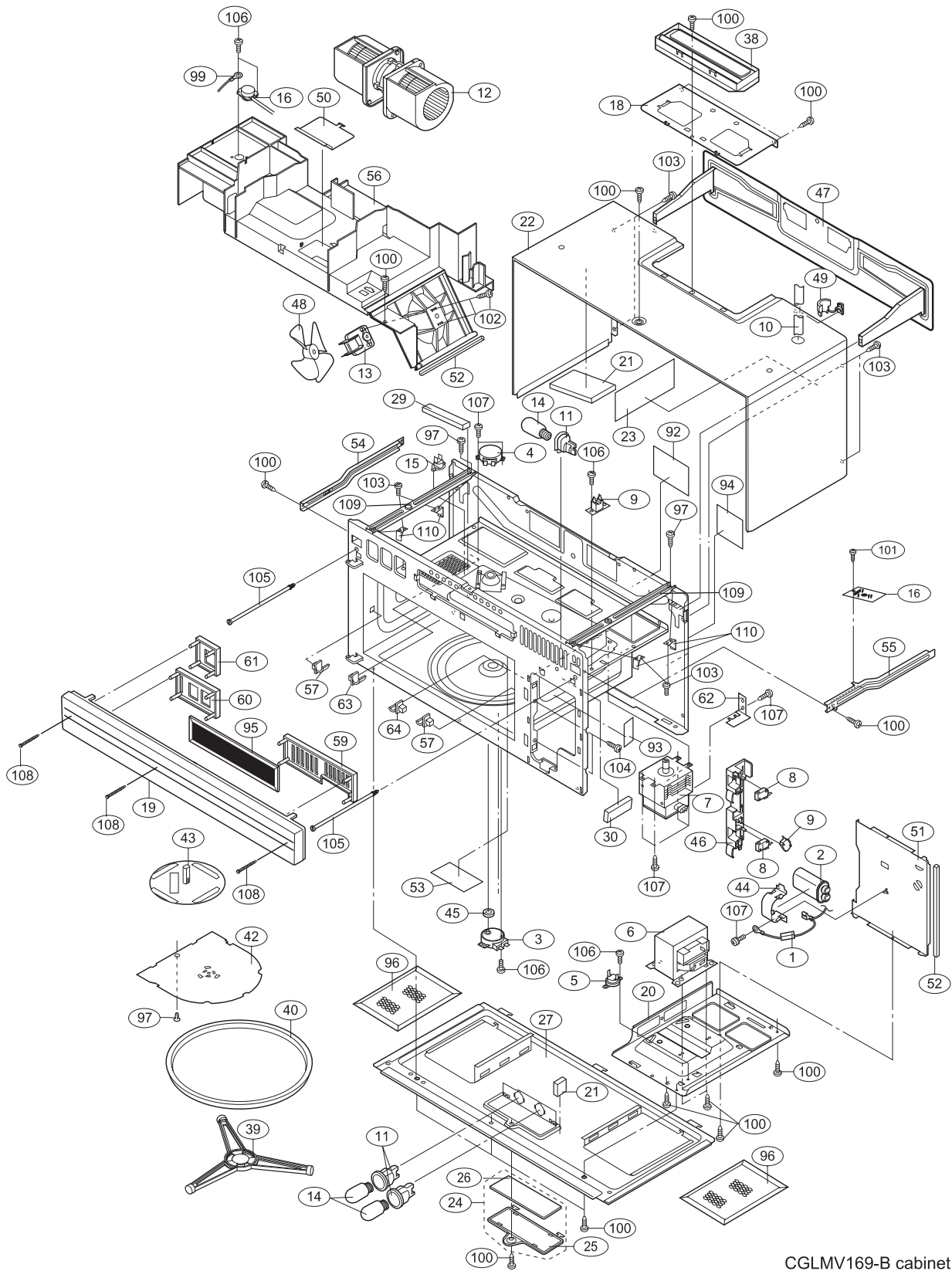
Publication No.  
**5995432035**  
05/03/17  
(EN/SERVICE/KC)  
099

**OVER-RANGE  
MICROWAVE**

Model No.  
CGLMV169D /  
CPLMV169D

Copyright © 2005 Electrolux Home Products, Inc.  
All rights reserved.

**OVEN, CABINET**



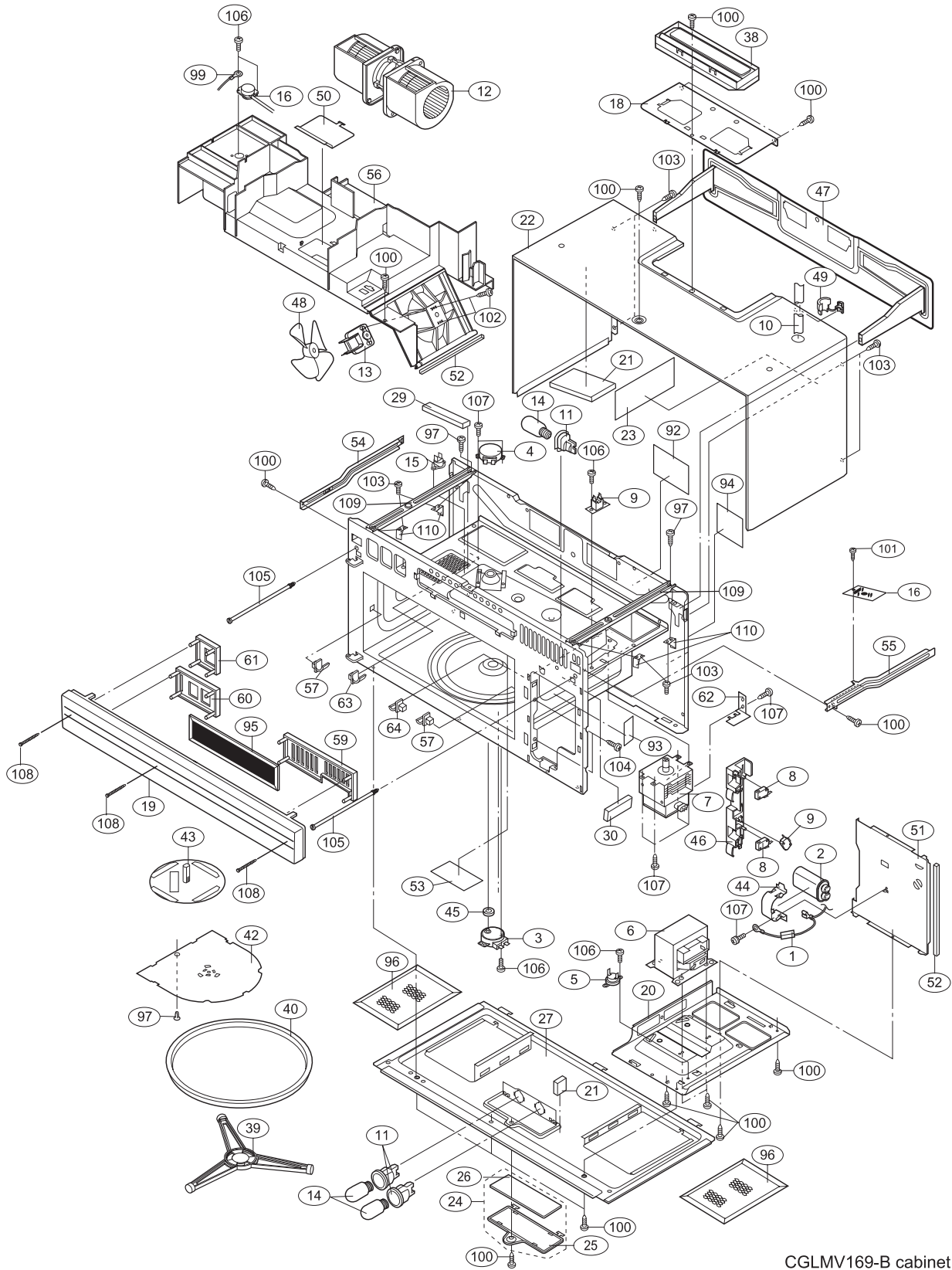
CGLMV169-B cabinet

**OVEN, CABINET**

*Model Index:* A CGLMV169D (CGLMV169DBB)  
 B CGLMV169D (CGLMV169DQB)  
 C CGLMV169D (CGLMV169DSB)  
 D CPLMV169D (CPLMV169DCB)

POS. NO	PART NO.		DESCRIPTION
1 #	5304440019	A B C D	Rectifier, high voltage
2 #	5304440342	A B C D	Capacitor, high voltage
3 #	5304440021	A B C D	Motor, turntable
4 #	5304440022	A B C D	Motor, stirrer fan
5 #	5304440023	A B C D	Thermal Cutout, hood, N.O.60 deg C
6 #	5304440024	A B C D	Transformer, power
7 #	5304440025	A B C D	Magnetron
8 #	5304440026	A B C D	Relay/Switch Assy, sec. interlock, door sense sw.
9 #	5304440027	A B C D	Switch Kit, monitor, with CT fuse
10 #	5304440028	A B C D	Power Cord, electric
11 #	5303319561	A B C D	Receptacle, lamp socket, oven
12 #	5304440029	A B C D	Motor, hood fan
13 #	5304440030	A B C D	Motor, cooling fan
14	5304440031	A B C D	Lamp, incandescent, 20 W, (3)
15 #	5304440032	A B C D	Thermal Cutout, oven cavity, N.C. 145 deg C
16 #	5303322968	A B C D	Filter, noise, electronic
17 #	5304440033	A B C D	Sensor, abs. humidity, cook control
18	5304440232	A B C D	Plate, rear stay
19	5304445463	A - - -	Grille, exhaust, black
19	5304440235	- B - -	Grille, exhaust, bisque
19	5304440234	- - C -	Grille, exhaust, white
19	5304442031	- - - D	Grille, exhaust, stainless steel
20	5304440236	A B C D	Base, transformer mtg, right side
21	5304440237	A B C D	Cushion, cabinet
22	5304445465	A - - D	Casing, wrapper, black, outer cabinet
22	5304445467	- B - -	Casing, wrapper, bisque, outer cabinet
22	5304445466	- - C -	Casing, wrapper, white, outer cabinet
23	5304440344	A B C D	Wiring Diagram, schematic
24	5304440242	A B C D	Lens/Frame Assy, oven lamp
25	5304440243	A B C D	Frame, lens holder
26	5303319575	A B C D	Lens, cooktop lamp, glass
27	5304440244	A B C D	Cover, unit base
28	5304441368	A B C D	Cushion, base cover pad
29	5304441369	A B C D	Cushion, cavity top pnl
30	5304441370	A B C D	Cushion, magnetron pad
38	5304440283	A B C D	Damper Assy, exhaust
39	5304440284	A B C D	Support Assy, turntable
40	5304440285	A B C D	Tray, turntable, glass
41	5303319587	A B C D	Retainer, capacitor strap
42	5304440286	A B C D	Cover, stirrer fan
43 #	5304440287	A B C D	Stirrer Assembly
45	5304440288	A B C D	Bushing, motor shaft, turntable
46	5304440289	A B C D	Latch Hook
47	5304440290	A B C D	Bracket, unit mtg plate, rear
48 #	5304440291	A B C D	Fan Blade, mag cooling fan
49	5303319605	A B C D	Bushing, power cord
50	5304440292	A B C D	Cover, oven lamp

**OVEN, CABINET**



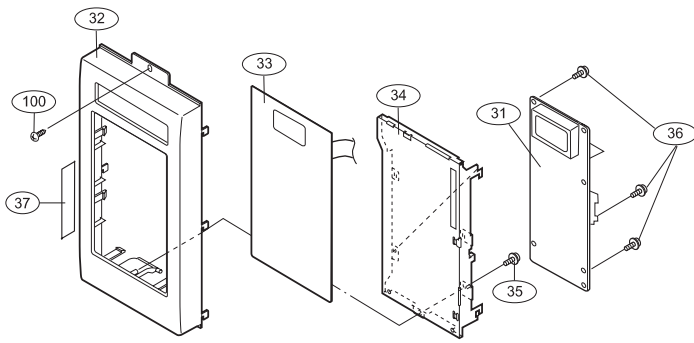
CGLMV169-B cabinet

**OVEN, CABINET**

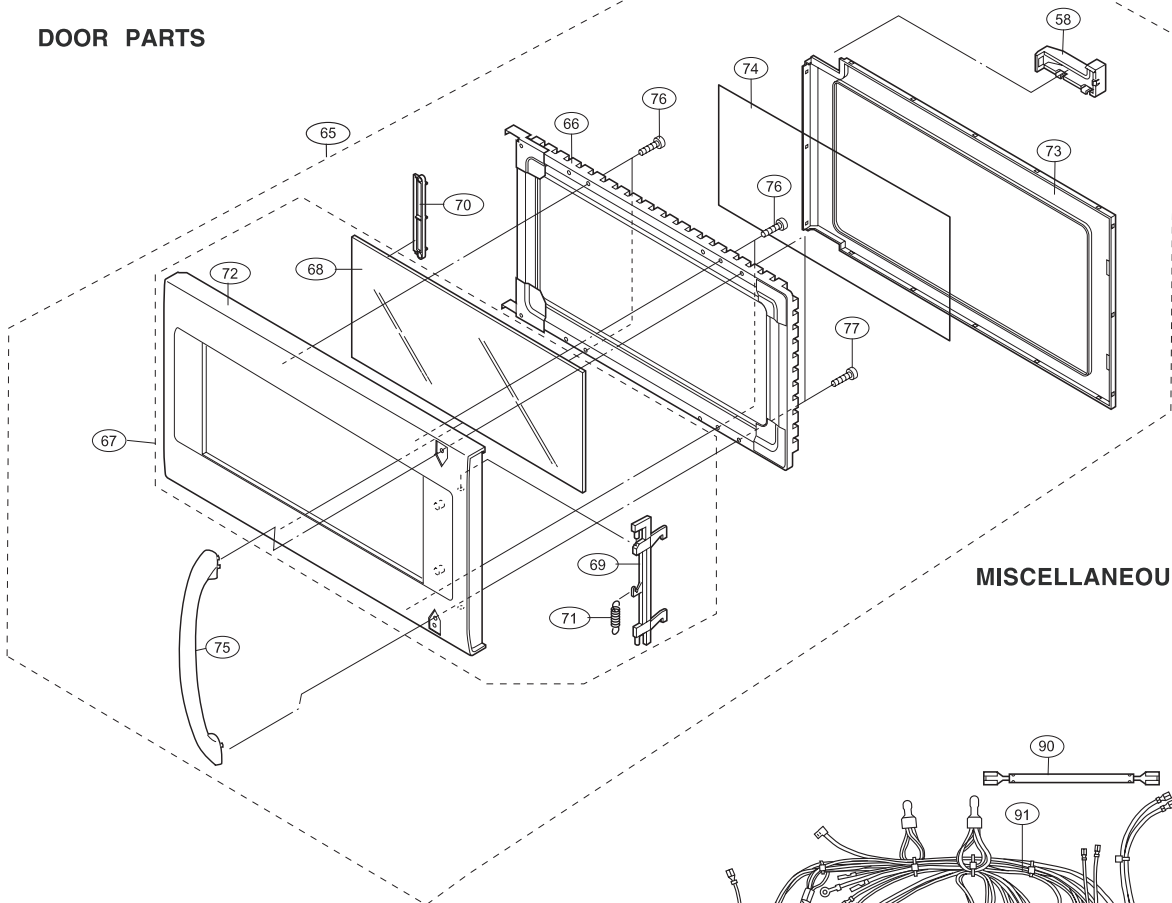
*Model Index:* A CGLMV169D (CGLMV169DBB)  
 B CGLMV169D (CGLMV169DQB)  
 C CGLMV169D (CGLMV169DSB)  
 D CPLMV169D (CPLMV169DCB)

POS. NO	PART NO.		DESCRIPTION
51	5304440293	A B C D	Duct, hood intake, right side
52	5304440294	A B C D	Cushion, intake duct
53	5304440295	A B C D	Lens, lamp filter
54	5304440296	A B C D	Support, chassis, left side
55	5304440297	A B C D	Support, chassis, left side
56	5304440298	A B C D	Duct, exhaust hood
57	5304440299	A B C D	Support, rack, front
59	5304440301	A B C D	Cover A, grille louver
60	5304440302	A B C D	Cover B, grille louver
61	5304440303	A B C D	Cover C, grille louver
62	5304440304	A B C D	Bracket, air guide, magnetron
63	5304441371	A B C D	Support, rack, left rear
64	5304441372	A B C D	Support, rack, right rear
92	5304440333	A B C D	Label, Caution-DHHS
93	5304440334	A B C D	Label, Caution-monitor
94	5304440348	A B C D	Label, Caution-NHW
95	5304440335	A B C D	Filter, inside exhaust, charcoal
96	5304440336	A B C D	Filter, grease
97	5304440337	A B C D	Clip, canoe type, stirrer cover
99 #	5304440339	A B C D	Wire, sensor ground
100	5304440340	A B C D	Screw, 4mm x 12mm
101	5303318767	A B C D	Screw, 4mm x 12mm
102	5303319637	A B C D	Screw, 4mm x 8mm
103	5303319639	A B C D	Screw, wrapper, back
104	5303319641	A B C D	Screw
105	5304440341	A B C D	Screw, unit mounting
106	5303319633	A B C D	Screw, 3mm x 8mm
107	5303319636	A B C D	Screw
108	5304441378	A - - D	Screw, grille mtg, (3)
108	5304441377	- B C -	Screw, grille mtg, (3)
109	5304441877	A B C D	Support, chassis
110	5304445468	A B C D	Gusset, chassis support

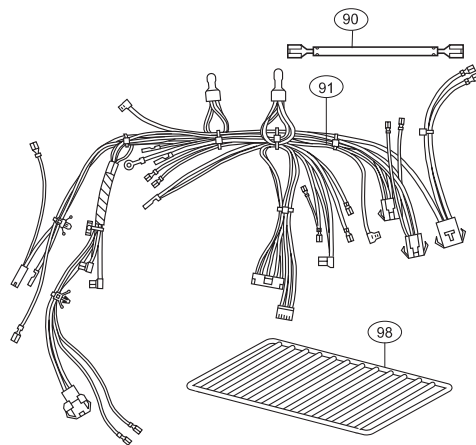
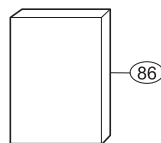
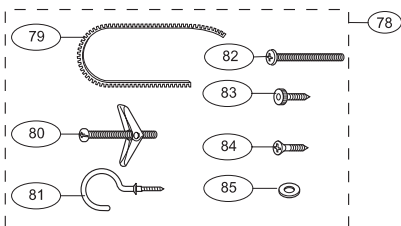
**CONTROL PANEL, DOOR, MISC.**



**DOOR PARTS**



**MISCELLANEOUS**



CGLMV169 controls

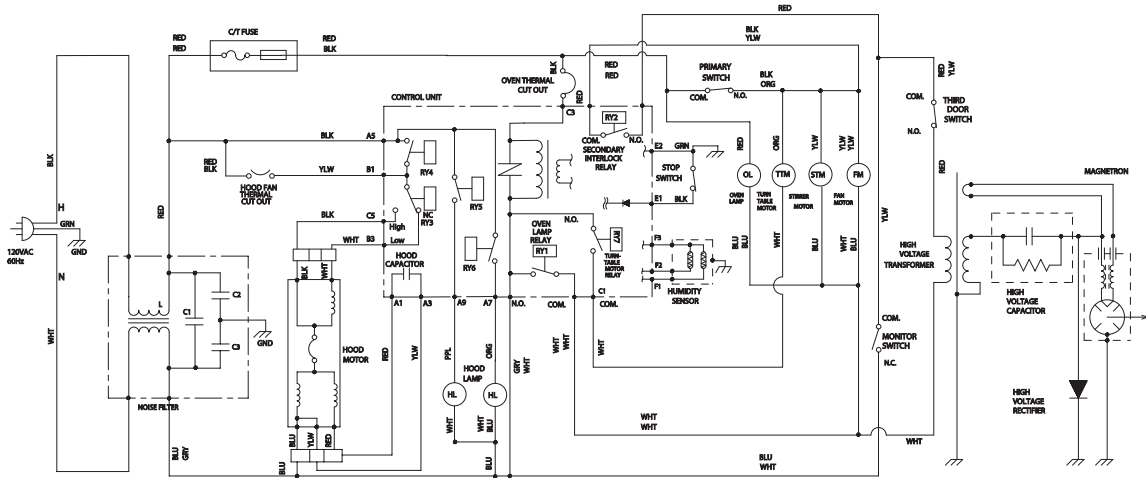
**CONTROL PANEL, DOOR, MISC.**

*Model Index:* A CGLMV169D (CGLMV169DBB)  
 B CGLMV169D (CGLMV169DQB)  
 C CGLMV169D (CGLMV169DSB)  
 D CPLMV169D (CPLMV169DCB)

POS. NO	PART NO.	A	B	C	D	DESCRIPTION
31 #	5304440345	A	B	C	D	Control Board, printed circuit
32	5304445604	A	-	-	-	Frame, control panel, black
32	5304440247	-	B	-	-	Frame, control panel, bisque
32	5304440248	-	-	C	-	Frame, control panel, white
32	5304442032	-	-	-	D	Frame, control panel, stainless steel
33 #	5304440278	A	-	-	D	Switch, touch pad, membrane, black
33 #	5304440279	-	B	-	-	Switch, touch pad, membrane, bisque
33 #	5304440280	-	-	C	-	Switch, touch pad, membrane, white
34	5304440281	A	B	C	D	Panel, control mount
35	5303319584	A	B	C	D	Screw, control panel, 3mm x 10mm
36	5304440282	A	B	C	D	Screw, control board, 3mm x 10mm
37	5304440346	A	B	C	D	Label, User Caution
58	5304440300	A	B	C	D	Door Stop
65	5304441374	A	-	-	-	Door Assy, complete, black, with handle
65	5304441376	-	B	-	-	Door Assy, complete, bisque, with handle
65	5304441375	-	-	C	-	Door Assy, complete, white, with handle
65	5304441373	-	-	-	D	Door Assy, complete, stainless steel, with handle
66	5304440305	A	-	-	D	Panel, inner door, black
66	5304440307	-	B	-	-	Panel, inner door, bisque
66	5304440306	-	-	C	-	Panel, inner door, white
67	5304440308	A	-	-	-	Panel Assy, outer door, black, w/glass & latch
67	5304440310	-	B	-	-	Panel Assy, outer door, bisque, w/glass & latch
67	5304440309	-	-	C	-	Panel Assy, outer door, white, w/glass & latch
67		-	-	-	D	Stainless Panel Assy. not replaceable – order complete stainless door assy.
68	5304440311	A	-	-	D	Panel, glass, door front
68	5304440313	-	B	-	-	Panel, glass, door front
68	5304440312	-	-	C	-	Panel, glass, door front
69	5304440314	A	B	C	D	Latch, door
70	5304440315	A	B	C	D	Clip, glass retainer, door
71	5304440316	A	B	C	D	Spring, door latch
72	5304440317	A	-	-	-	Frame, outer door, black
72	5304440319	-	B	-	-	Frame, outer door, bisque
72	5304440318	-	-	C	-	Frame, outer door, white
72		-	-	-	D	Stainless Frame not replaceable – order complete stainless door assy.
73	5304440320	A	B	C	D	Frame, choke cover, inner door
74	5304440321	A	B	C	D	Seal, door, film
75	5304440323	A	-	-	-	Handle, door, black
75	5304440325	-	B	-	-	Handle, door, bisque
75	5304440324	-	-	C	-	Handle, door, white
75	5304440322	-	-	-	D	Handle, door, stainless steel
76	5303319634	A	B	C	D	Screw, 4mm x 8mm
77	5304440326	A	B	C	D	Screw, 4mm x 12mm
78	5303319625	A	B	C	D	Hardware, installation, kit
79	5303318761	A	B	C	D	Sleeve, power cord, grommet
80	5303318762	A	B	C	D	Screw, toggle
81	5303322979	A	B	C	D	Hook, screw-in, cord holder
82	5303318764	A	B	C	D	Screw, 5mm x 60mm
83	5303318767	A	B	C	D	Screw, 4mm x 12mm
84	5303318765	A	B	C	D	Screw, wood, 5mm x 35 mm, (6)
85	5303318766	A	B	C	D	Washer, flat, 30mm, (2)
86	5304440329	A	B	C	D	Template, installation, top
86	5304440330	A	B	C	D	Template, installation, wall
90 #	5304440331	A	B	C	D	Wire, high voltage-A
91 #	5304440347	A	B	C	D	Wiring Harness, main-A
98	5304440338	A	B	C	D	Rack, microwave oven, wire
100	5304440340	A	B	C	D	Screw, 4mm x 12mm

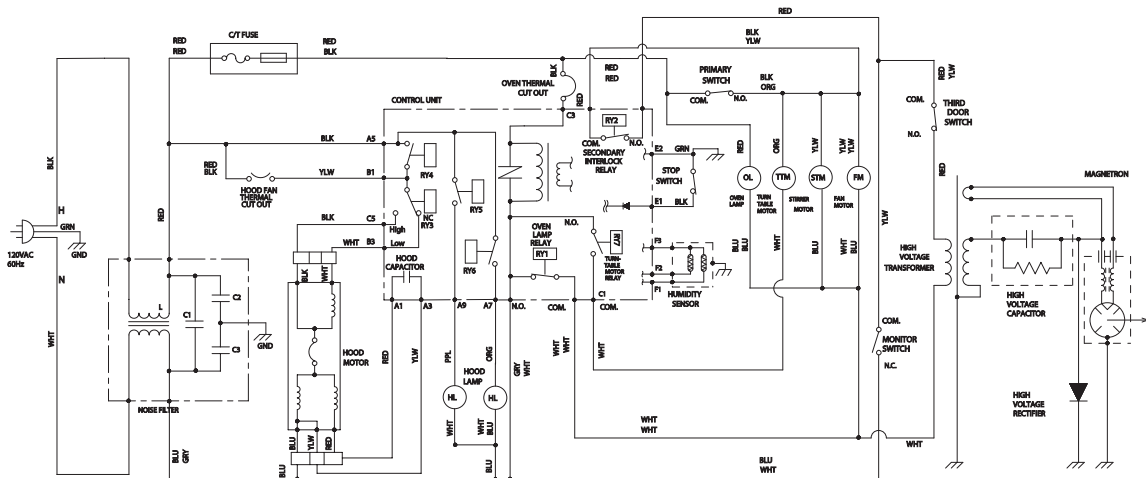
**WIRING SCHEMATIC**

**SCHMATIC**  
 NOTE: CONDITION OF OVEN  
 1. DOOR CLOSED  
 2. CLOCK APPEARS ON DISPLAY



Oven Schematic-Off Condition

**SCHMATIC**  
 NOTE: CONDITION OF OVEN  
 1. DOOR CLOSED  
 2. COOKING TIME PROGRAMMED  
 3. VARIABLE COOKING CONTROL "HIGH"  
 4. "START" PAD TOUCHED



CGLMV169 wiring schematic

Oven Schematic-Cooking Condition