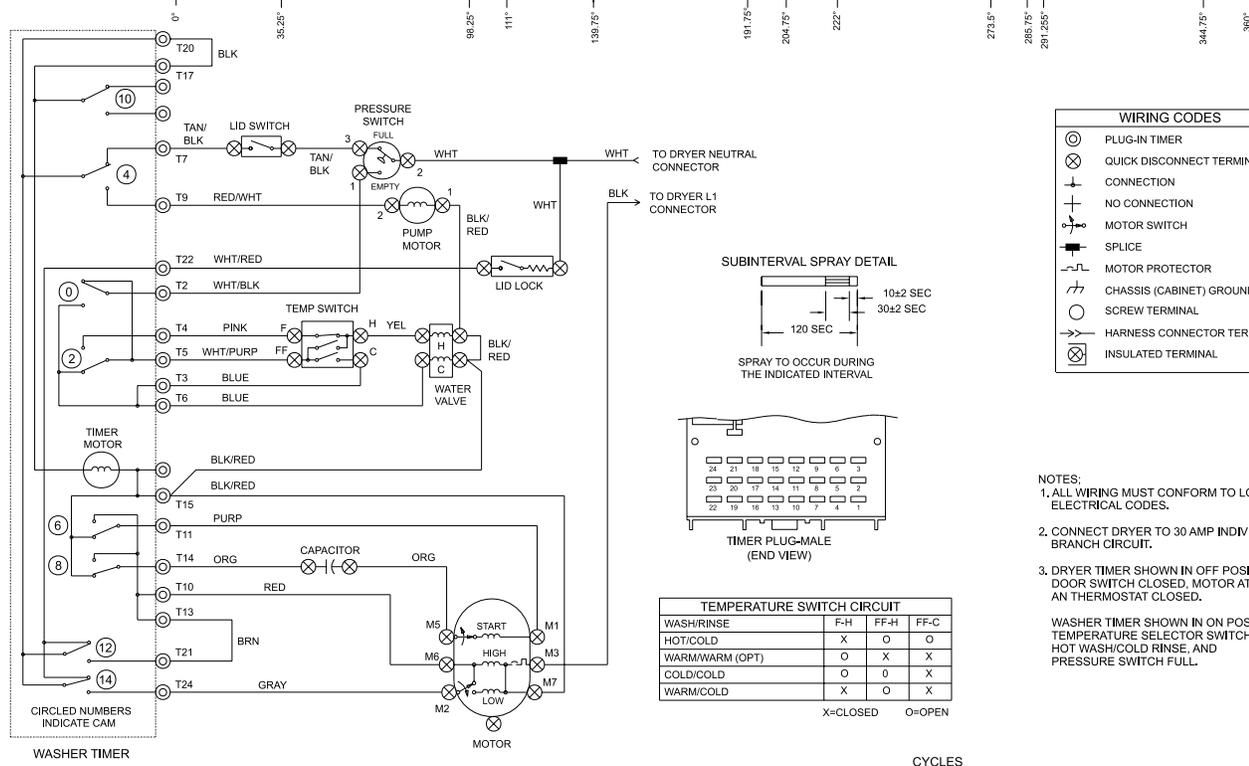


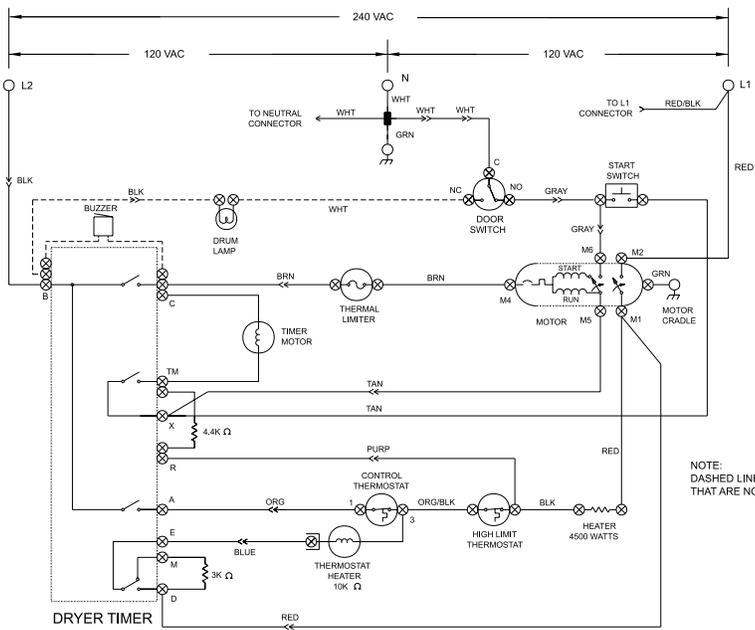
CAUTION: DISCONNECT ELECTRIC CURRENT BEFORE SERVICING

C	M	T	CIRCUIT	REGULAR CYCLE					PERM. PRESS CYCLE					DELICATE CYCLE					SOAK CYCLE				
				WASH (18 MIN.)	P	RINSE	P	SPIN	WASH (12 MIN.)	P	RINSE	P	SPIN	WASH (6 MIN.)	P	RINSE	P	SPIN	WASH (12 MIN.)	P	RINSE	P	SPIN
0	2	1	WATER TEMP.																				
		3	SI SPRAY																				
2	1	4	WASH FILL																				
		3	RINSE FILL																				
		7	LID SW BYPASS																				
		9	PUMP																				
6	11	10	SPIN DIR																				
		12	AGITATE DIR																				
8	14	10	AGITATE DIR																				
		12	SPIN DIR																				
10	17	16	ADV. SOAK-WASH																				
		18																					
		22	P.S. BYPASS																				
12	8	21	HIGH SPEED MOTOR																				
		22	P.S. BYPASS																				
14	8	24	LOW SPEED MOTOR																				



CYCLES

CIRCUIT	AUTO DRY				OFF	TIMED DRY (MIN)				OFF	KNIT CYCLE				OFF
	38,5	20				106	75	50	25		59,7	40	20	0	
HEATER	B-A														
MOTOR	B-C														
TIMER	X-TM														
MEDIUM HEAT	E-M														
LOW HEAT	E-D														



BAR CHART ABOVE REPRESENTS ONE COMPLETE REVOLUTION OF TIMER SHAFT. SHADED PORTION OF BAR CHART INDICATES THE PROPORTIONAL TIMES THAT INTERNAL TIMER CONTACTS ARE CLOSED.

E