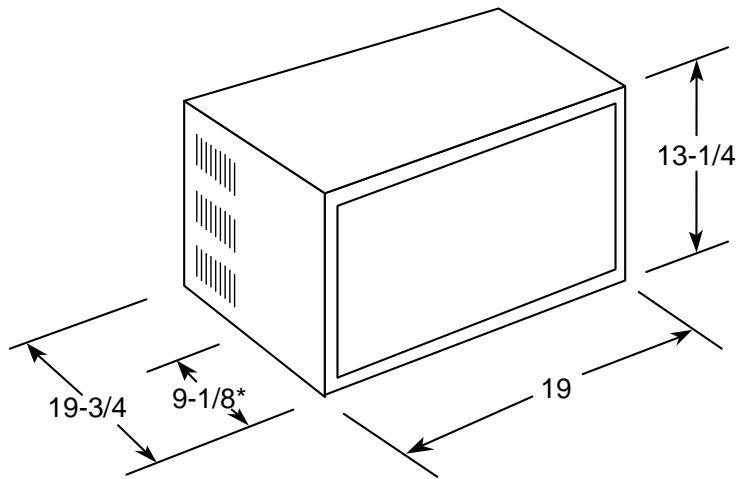




GE Appliances

## ABV10AA - GE Value 115 Volt Room Air Conditioner

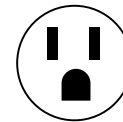
### Wall Case Dimensions (in inches)



\* Distance from front of case to side louvers (excluding grille).

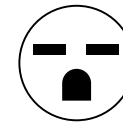
**Note:** When installing units in through-the-wall applications, keep louvers free. Do not restrict air flow areas. Fixed chassis units are not designed for through-the-wall applications.

Parallel



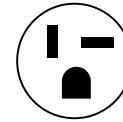
115V  
15 Amp

Tandem



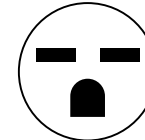
230/208V  
15 Amp

Perpendicular



230/208V  
20 Amp

Large Tandem



230/208V  
30 Amp

**Wall Outlets:** All wiring including installation of receptacle must be made in accordance with local electrical codes and regulations. Electrical outlet should be in reach of line cord.

**Note:** Aluminum wiring may pose special problems—consult a qualified electrician.

For answers to your Monogram®, GE Profile Performance Series,™ GE Profile,™ GE appliance questions, call GE Answer Center® service, 800.626.2000.



Total capacity and E.E.R. ratings are calculated based on the Association of Home Appliance Manufacturers' standards.



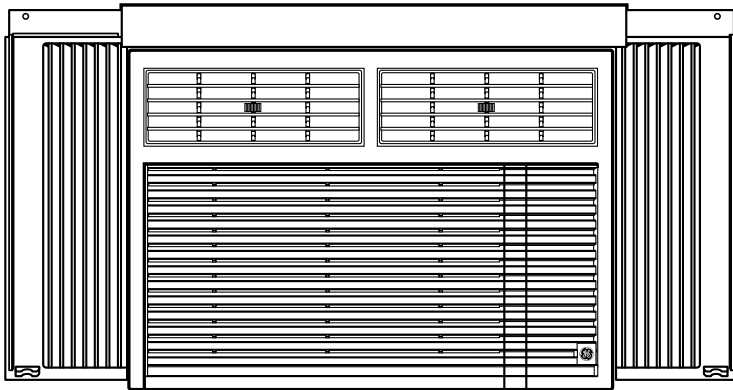
Listed by Underwriters Laboratories



*GE Appliances*

---

## ABV10AA - GE Value 115 Volt Room Air Conditioner



### Features and Benefits

- Contemporary White Front
- 10,000 BTUH, 9.0 EER, 115 Volts
- 8-Position Thermostat
- 3 Cooling / 1 Fan Speeds
- EZ Mount Window Installation
- Exhaust for Air Exchange
- Plug Type - Parallel