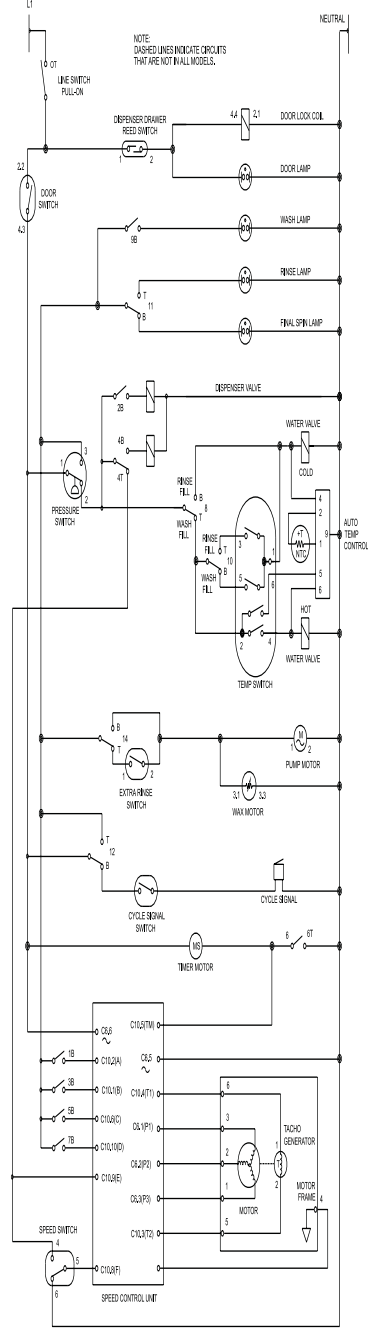


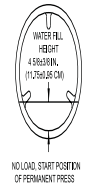
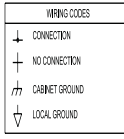
STEP	TIME (MIN)	CIRCUIT	REGULAR				QUICK WASH			BABY CARE			DEBRUTE & HAND WASH CYCLE				
			WASH	RINSE	SPIN	OFF	WASH	RINSE	FINAL SPIN	WASH	RINSE	FINAL SPIN	WASH	RINSE	FINAL SPIN		
00		RESET															
01	1	WASH/POWER															
02	2																
10	22																
11	24	COSEA															
12	4																
13	6	SOLENOID															
14	19																
15	21	COSEA															
16	7	CODE B															
17	5	SOLENOID															
18	16																
19	18	CODE C															
20	10	TRIPLECT															
21	12																
22	13																
23	15	CODE D															
24	17	WASH/WATERMAIN															
25	15	RINSE/WATERMAIN															
26	10																
27	12	WASH LAMP															
28	16	RINSE WATER TEMP															
29	18	RINSE WATER TEMP															
30	7	RINSE LAMP															
31	5	FINAL SPIN LAMP															
32	19	PRESS/SA PRESS															
33	21	BLUZZER															
34	22	DRUM W/PAUSE/A															
35	14	19	SPIN/PAUSE														



ELECTRICAL COMPONENT	RESISTANCE (Ω @ 77°F (25 @ 77°C))
WATER VALVE SOLENOIDS	880 ±10%
DOOR LOCK SOLENOID	380 ±10%
TIMER MOTOR	2425 ±5%
PUMP MOTOR	15 ±7%
DISPENSER VALVE SOLENOIDS	1100 ±7%
MOTOR	
M1 TO M2	2.6 ±7%
M2 TO M3	2.6 ±7%
M1 TO M3	2.6 ±7%
M5 TO M6	194 ±7%

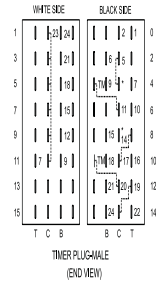
CIRCUIT	1-3	1-5	1-6	2-4
WASH/RINSE				
HC			X	X
WC	X	X		X
CC	X	X	X	X
WW	X	X	X	X
REG CC	X	X	X	X
REG WC	X	X	X	X
REG WW	X	X	X	X

HH=HOT WH=WARM CC=COLD
REG=REGULATED X=CLOSED



CIRCUIT	1-6	1-5
SLOW	X	X
NORMAL	X	
FAST		X

X=CONTACTS CLOSED



WARNING TO REDUCE THE RISK OF ELECTRICAL SHOCK DISCONNECT THIS APPLIANCE FROM THE POWER SUPPLY BEFORE ATTEMPTING ANY USER MAINTENANCE. TURNING THE CONTROLS TO THE OFF POSITION DOES NOT DISCONNECT THIS APPLIANCE FROM THE POWER SUPPLY.