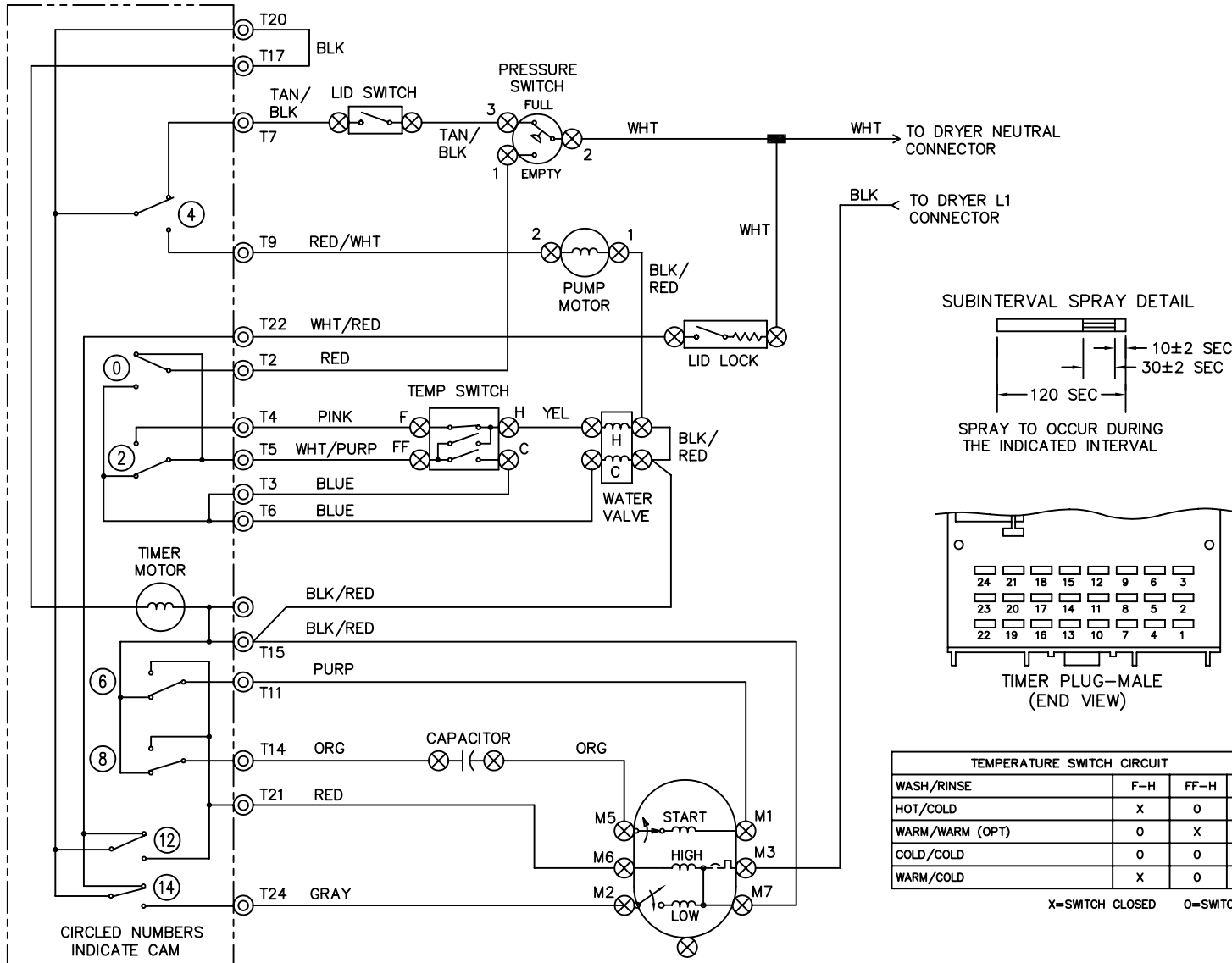
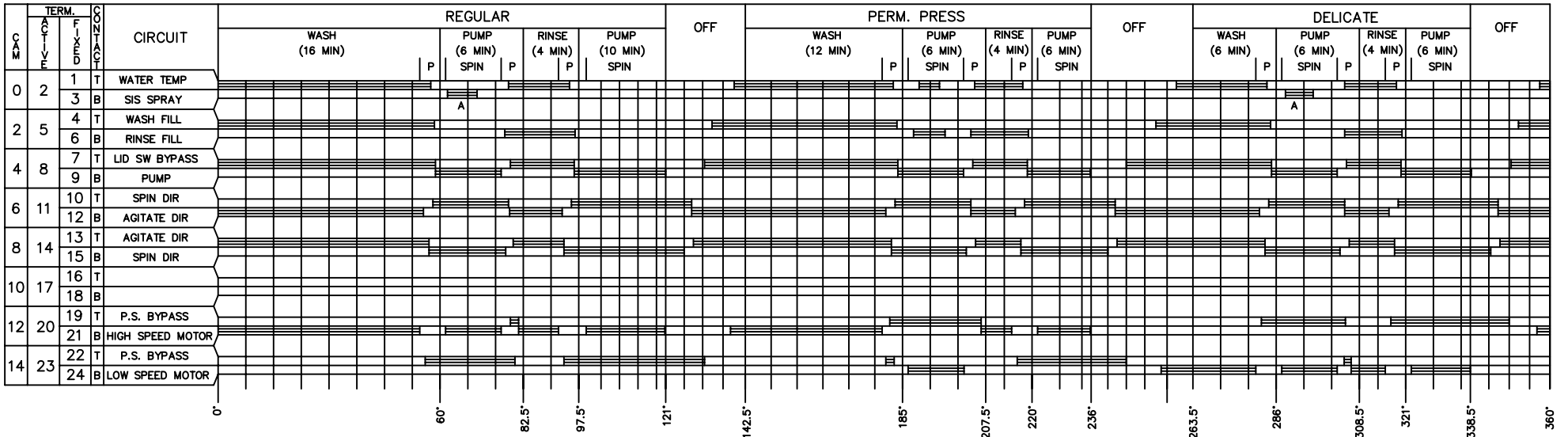


CAUTION: DISCONNECT ELECTRIC CURRENT BEFORE SERVICING. LABEL ALL WIRES PRIOR TO DISCONNECTION WHEN SERVICING CONTROLS. WIRING ERRORS CAN CAUSE IMPROPER AND DANGEROUS OPERATION. VERIFY PROPER OPERATION AFTER SERVICING.



WIRING CODES

- ⊙ PLUG-IN TIMER TERMINAL
- ⊗ QUICK DISCONNECT TERMINAL
- ⊕ CONNECTION
- ⊖ NO CONNECTION
- ⊛ MOTOR SWITCH
- ⊞ SPLICE
- ⊟ MOTOR PROTECTOR
- ⊠ CHASSIS (CABINET) GROUND
- SCREW TERMINAL
- ⊚ HARNESS CONNECTOR TERMINAL
- ⊛ INSULATED TERMINAL

SUBINTERVAL SPRAY DETAIL

SPRAY TO OCCUR DURING THE INDICATED INTERVAL

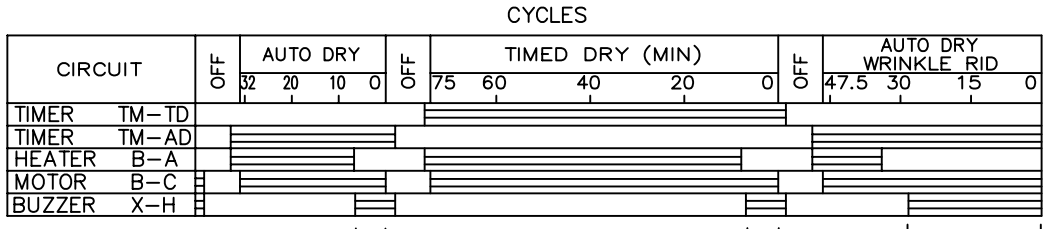
120 SEC
10±2 SEC
30±2 SEC

- NOTES:**
- ALL WIRING MUST CONFORM TO LOCAL ELECTRICAL CODES.
 - CONNECT DRYER TO 15 AMP INDIVIDUAL BRANCH CIRCUIT.
 - DRYER TIMER SHOWN IN OFF POSITION DOOR SWITCH CLOSED, MOTOR AT REST, THERMOSTAT CLOSED, AND FABRIC SELECTOR SWITCH AT HIGH HEAT.
- WASHER TIMER SHOWN IN ON POSITION TEMPERATURE SELECTOR SWITCH AT HOT WASH/COLD RINSE, AND PRESSURE SWITCH FULL.

TEMPERATURE SWITCH CIRCUIT

	F-H	FF-H	FF-C
WASH/RINSE			
HOT/COLD	X	0	0
WARM/WARM (OPT)	0	X	X
COLD/COLD	0	0	X
WARM/COLD	X	0	X

X=SWITCH CLOSED 0=SWITCH OPEN



BAR CHART ABOVE REPRESENTS ONE COMPLETE REVOLUTION OF TIMER SHAFT.

SHADED PORTION OF BAR CHART INDICATES THE PROPORTIONAL TIMES THAT INTERNAL TIMER CONTACTS ARE CLOSED.

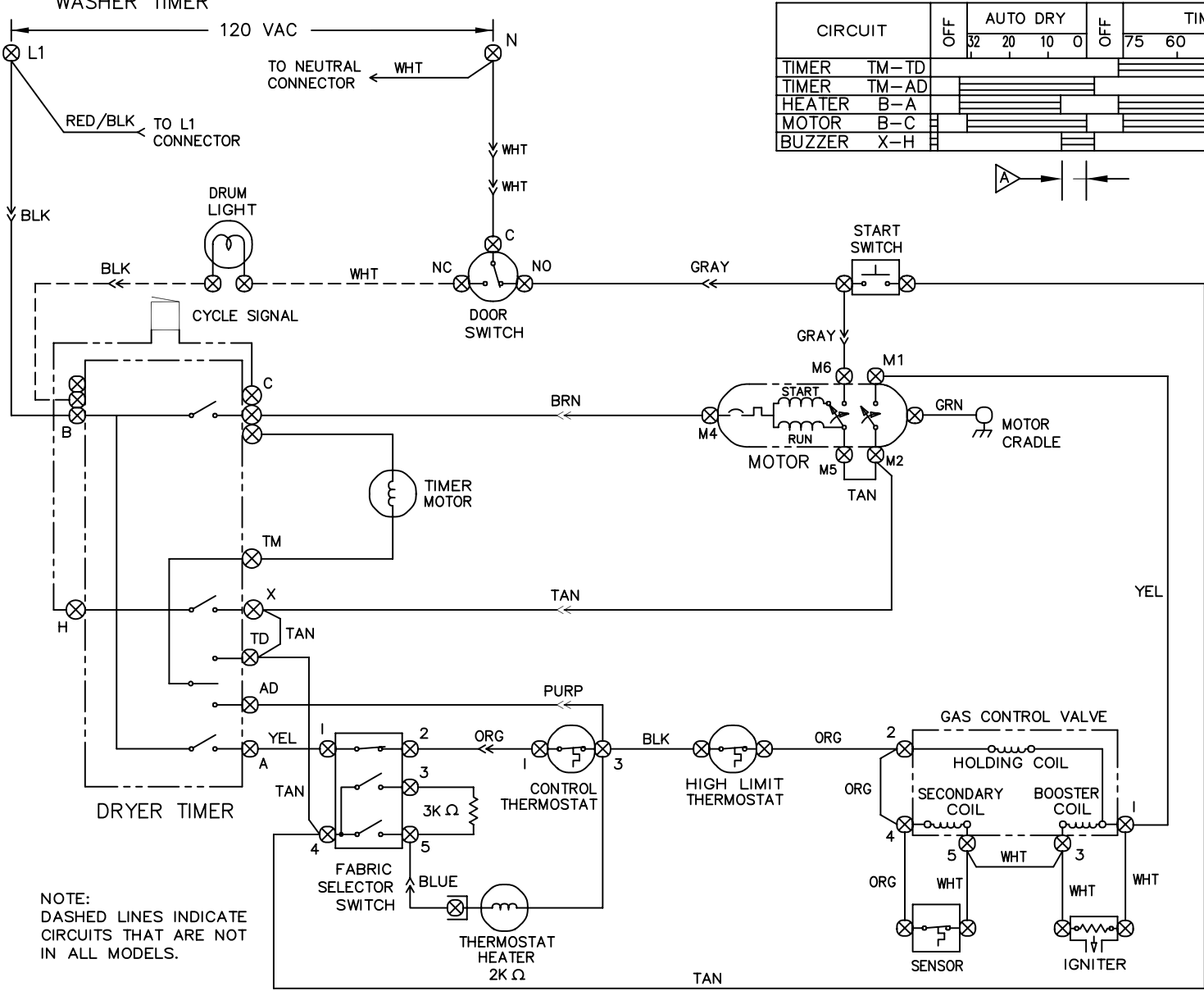
A PULSER CAM, LOCATED NEXT TO THE BUZZER CAM AND ROTATING AT 12 REVELUTIONS PER HOUR, ALLOWS CIRCUIT "X-H" TO CLOSE FOR 5 SECONDS (±3 SECONDS)

▲ 1 OR 2 TIMES IN THIS AREA
▶ 5 TO 6 TIMES IN THIS AREA

FABRIC SELECTOR SWITCH

POSITION	1-2	3-4	4-5
NO HEAT			X
LOW HEAT	X		
MEDIUM HEAT	X	X	
HIGH HEAT	X		

X= CONTACTS CLOSED



NOTE: DASHED LINES INDICATE CIRCUITS THAT ARE NOT IN ALL MODELS.

G