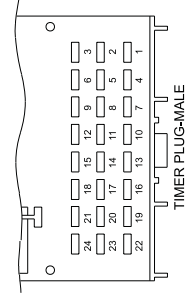
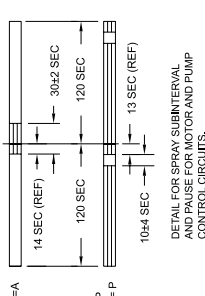
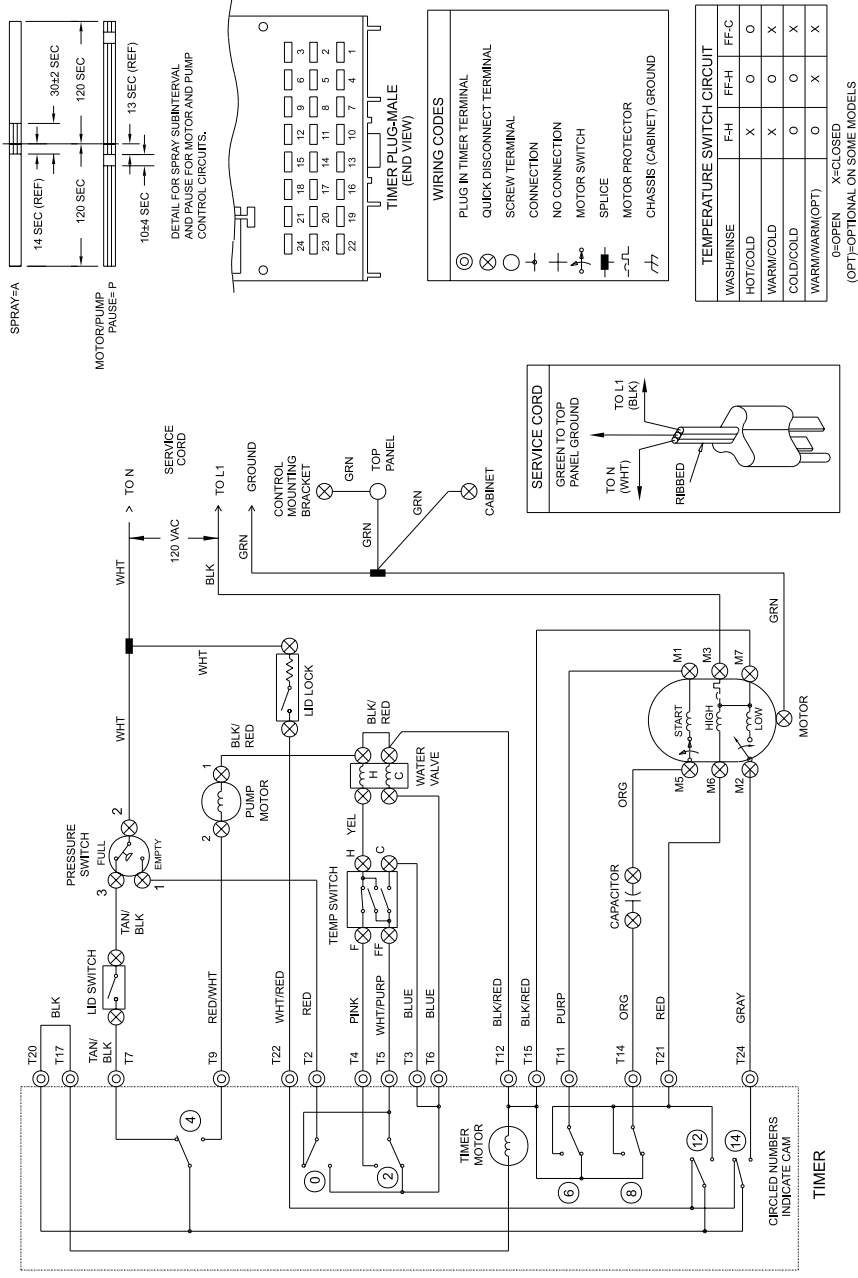
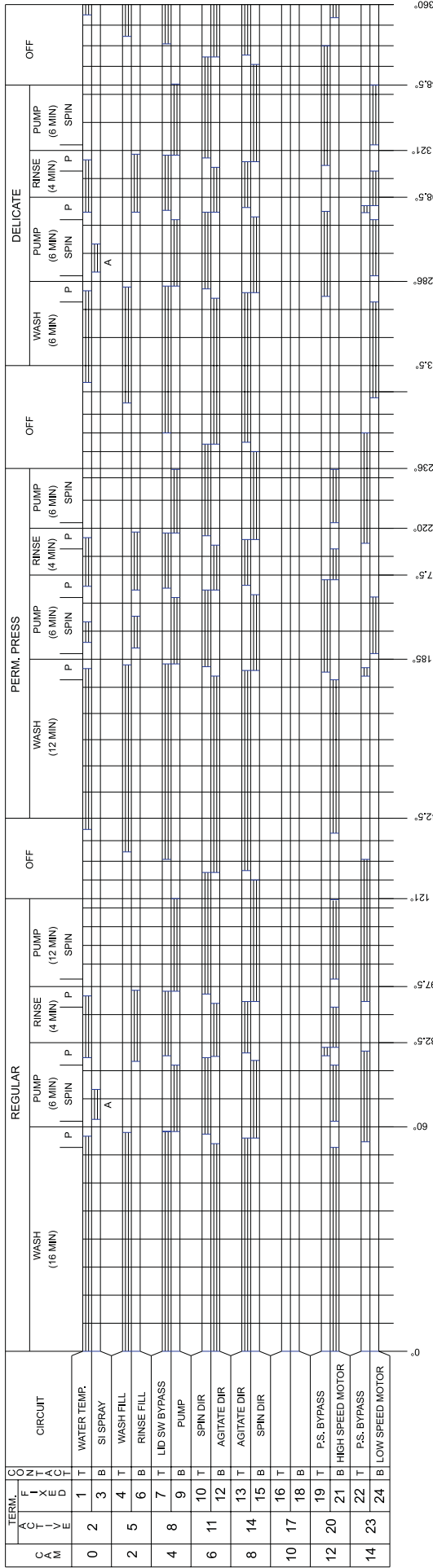


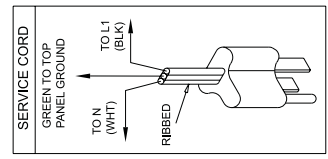
CAUTION: DISCONNECT ELECTRIC CURRENT BEFORE SERVICING



- WIRING CODES**
- ⊙ PLUG IN TIMER TERMINAL
 - ⊗ QUICK DISCONNECT TERMINAL
 - SCREW TERMINAL
 - CONNECTION
 - + NO CONNECTION
 - ⊕ MOTOR SWITCH
 - ⊞ SPLICE
 - ⊞ MOTOR PROTECTOR
 - ⊞ CHASSIS (CABINET) GROUND

TEMPERATURE SWITCH CIRCUIT			
WASH/RINSE	F-H	FF-H	FF-C
HOT/COLD	X	O	O
WARM/COLD	X	O	X
COLD/COLD	O	O	X
WARM/WARM(OPT)	O	X	X

O=OPEN X=CLOSED
(OPT)=OPTIONAL ON SOME MODELS



NOTE:
SUFFIX INDICATES TIMER SWITCH CONTACTS
T=TOP
B=BOTTOM

WIRING DIAGRAM
134128600