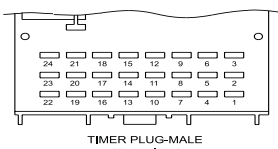
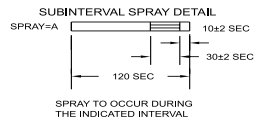
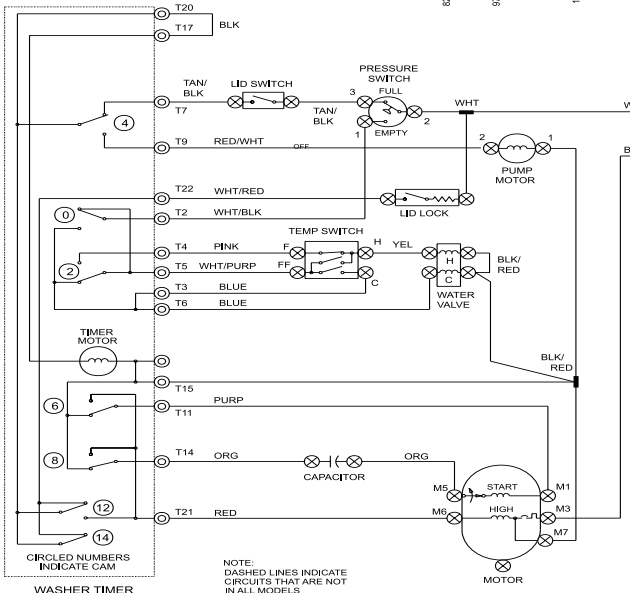
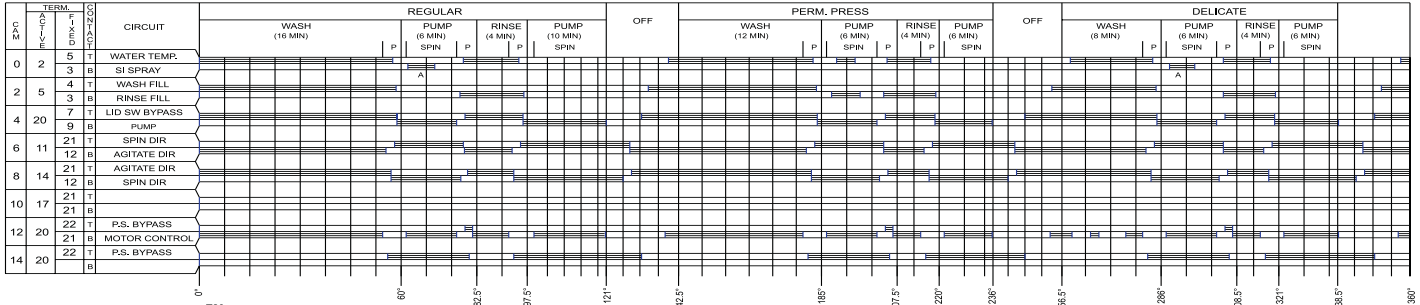


CAUTION: DISCONNECT ELECTRIC CURRENT BEFORE SERVICING



TEMPERATURE SWITCH CIRCUIT

	F-H	FF-H	FF-C
WASH/RINSE	X		
HOT/COLD	X	X	X
WARM/WARM (OPT)		X	X
COLD/COLD		X	X
WARM/COLD	X		X

X-CLOSED

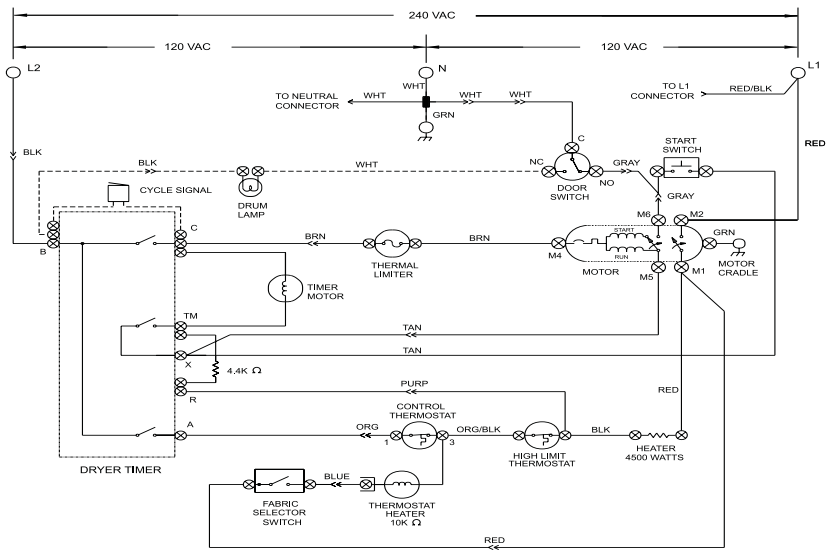
WIRING CODES

- ⊙ PLUG-IN TIMER
- ⊗ QUICK DISCONNECT TERMINAL CONNECTION
- ⊥ NO CONNECTION
- ⊕ MOTOR SWITCH
- ⊖ SPlice
- ⊖ MOTOR PROTECTOR
- ⊖ CHASSIS (CABINET) GROUND
- ⊖ SCREW TERMINAL
- ⊖ HARNESS CONNECTOR TERMINAL
- ⊖ INSULATED TERMINAL

- NOTES:
- ALL WIRING MUST CONFORM TO LOCAL ELECTRICAL CODES.
  - CONNECT DRYER TO 30 AMP INDIVIDUAL BRANCH CIRCUIT.
  - DRYER TIMER SHOWN IN OFF POSITION. DOOR SWITCH CLOSED, MOTOR AT REST, AN THERMOSTAT CLOSED, AND FABRIC SELECTOR SWITCH AT HIGH HEAT.
- WASHER TIMER SHOWN IN ON POSITION. TEMPERATURE SELECTOR SWITCH AT HOT WASH/COLD RINSE, AND PRESSURE SWITCH FULL.

CYCLES

CIRCUIT	AUTO DRY		OFF	TIMED DRY (MIN)								
	31.7	15		105.3	90	75	60	45	30	15	0	
TIMER	TM-X											
HEATER	B-A											
MOTOR	B-C											



FABRIC SELECTOR SWITCH

POSITION	CIRCUIT
LOW HEAT	X
HIGH HEAT	X

X-CLOSED

THE BAR CHART ABOVE REPRESENTS ONE COMPLETE REVOLUTION OF TIMER SHAFT. SHADED PORTION OF BAR CHART INDICATES THE PROPORTIONAL TIMES THAT INTERNAL TIMER CONTACTS ARE CLOSED.

**E**