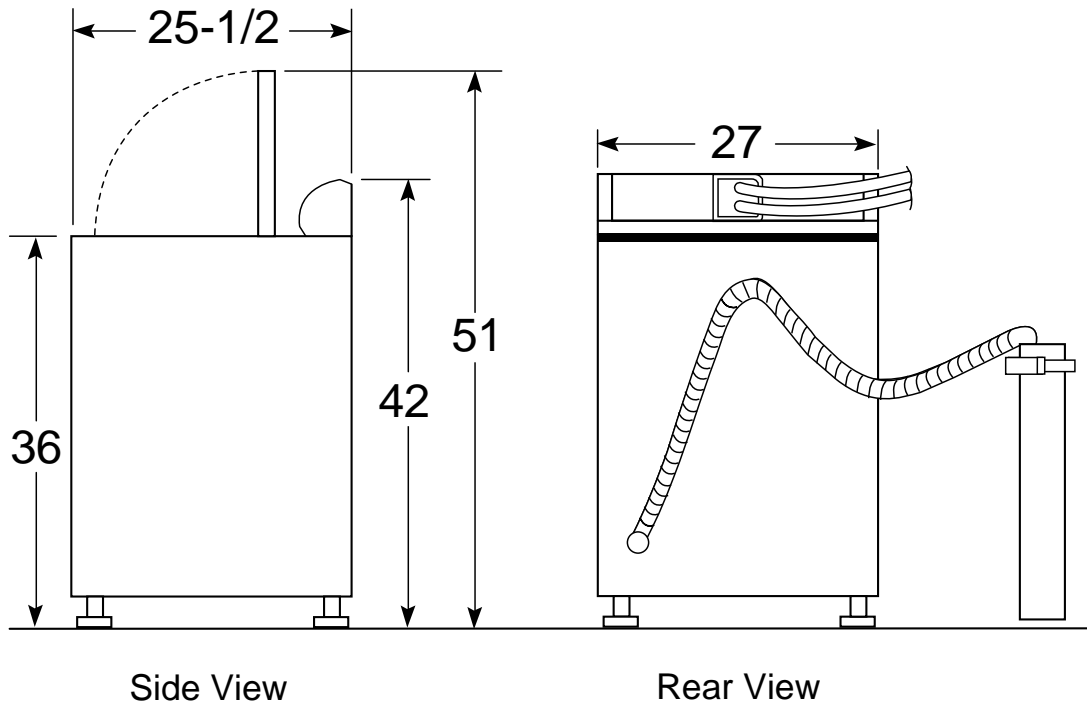




GE Appliances

WWRE5240DCC/WW – GE® King-size 3.5 Cu. Ft. Capacity Washer with Stainless Steel Basket

Dimensions (in inches)



Circuit Requirements:

An individual, properly-grounded branch circuit, with a three-prong grounding-type receptacle, protected by a 15 or 20 amp circuit breaker or a time-delay fuse, is required.

Electrical Rating:

115V, 60Hz, 10A

Washer Note:

Washer wall outlet must be located within 36" of service cord entry. Wall outlet must not be located behind dryer.

Installation Information:

For complete information, see installation instructions packed with your washer.

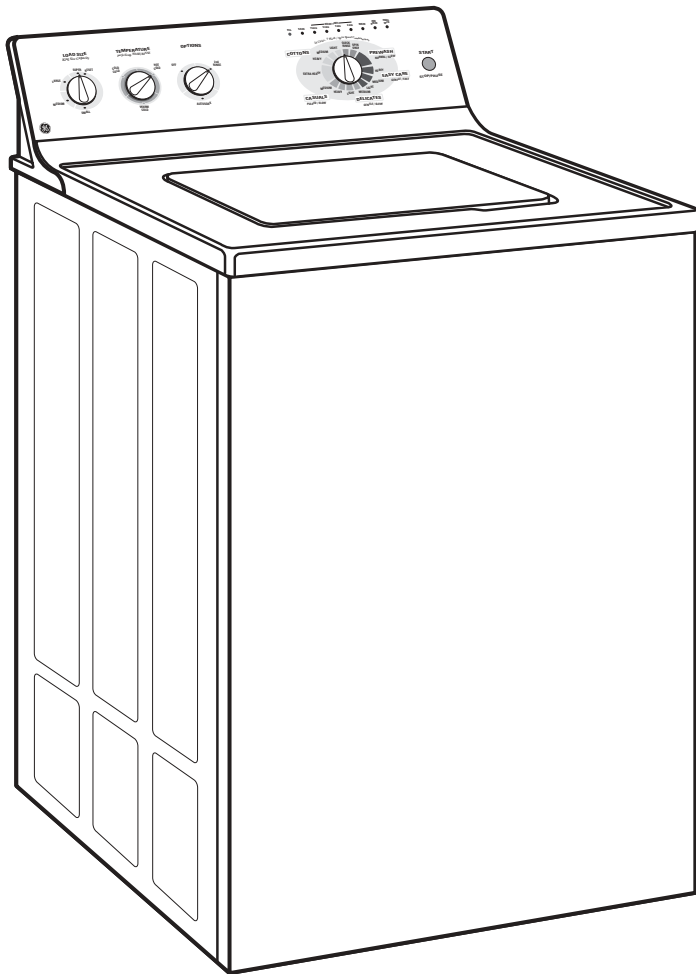


For answers to your Monogram®, GE Profile™ or GE® appliance questions, visit our website at GEAppliances.com or call GE Answer Center® service, 800.626.2000.



GE Appliances

WWRE5240DCC/WW – GE® King-size 3.5 Cu. Ft. Capacity Washer with Stainless Steel Basket



Features and Benefits

- Rotary electronic controls with cycle status lights – Make it easy to select and monitor wash cycles.
- Five wash/spin speed combinations – Speeds are matched to fabric type for better clothes care.
- 24 wash cycles – Give you a greater degree of control over laundry results.
- PerfectTemp – Regulates wash water temperatures for proper fabric care.
- Bleach and fabric softener dispensers – Solutions are automatically mixed with wash water for bright, soft-to-the-touch results.
- Four Water Levels – Offers water and energy savings.
- Optional Auto Soak – Saves you the trouble of rewashing heavily soiled clothes.
- Auto 2nd Rinse – Helps to protect delicate fabrics and sensitive skin.
- Spin Only Option – “Spin-dries” wet clothes like beach towels and swimsuits.
- Model WWRE5240DWW – White on white
- Model WWRE5240DCC – Bisque on bisque