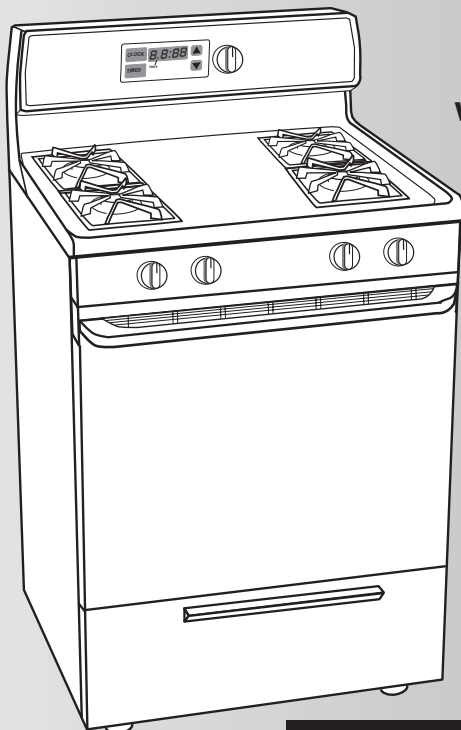


# Installation Instructions

## 30" Freestanding **Gas Range** with self-cleaning oven



### **! WARNING**



#### **Tip Over Hazard**

A child or adult can tip the range and be killed.

Connect anti-tip bracket to rear range foot.

Reconnect the anti-tip bracket, if the range is moved.

Failure to follow these instructions can result in death or serious burns to children and adults.

## Quick Reference

### Table of Contents:

#### Pages

- 2** Before you start
- 2** Product dimensions
- 2** Cabinet dimensions/requirements
- 3** Electrical requirements
- 3** Gas supply requirements
- 4 - 6** Installation steps
- 7 - 8** Gas conversions

**Back cover** If range does not operate

**Back cover** If you need assistance/service

**Back cover** Moving the range

### If you need assistance:

Check your Use and Care Guide for a toll-free number to call or call the dealer from whom you purchased this range. The dealer is listed in the Yellow Pages of your phone directory under "Appliances — Household — Major — Service and Repair."

Call when you:

- Have questions about range installation or operation.
- Need to obtain the name and number of an authorized service company.

When you call, you will need:

- The range model number.
- The range serial number.

Both numbers are listed on the model/serial rating plate located on the frame behind the storage drawer.

## IMPORTANT:

## Read and save these instructions.

## IMPORTANT:

**Installer:** Leave Installation Instructions with the homeowner.

**Homeowner:** Keep Installation Instructions for future reference.

**Save** Installation Instructions for local electrical inspector's use.

## Before you start...

### Your safety and the safety of others are very important.

We have provided many important safety message in this manual and on your appliance. Always read and obey all safety messages.



This is the safety alert symbol.

This symbol alerts you to potential hazards that can kill or hurt you and others.

All safety messages will be preceded by the safety alert symbol and the word "DANGER" or "WARNING". These words mean:

### **! DANGER**

You can be killed or seriously injured if you don't **immediately** follow instructions.

### **! WARNING**

You can be killed or seriously injured if you don't follow instructions.

All safety messages will tell you what the potential hazard is, tell you how to reduce the chance of injury, and tell you what can happen if the instructions are not followed.

**WARNING:** If the information in this manual is not followed exactly, a fire or explosion may result causing property damage, personal injury or death.

— Do not store or use gasoline or other flammable vapors and liquids in the vicinity of this or any other appliance.

#### — WHAT TO DO IF YOU SMELL GAS

- Do not try to light any appliance.
- Do not touch any electrical switch.
- Do not use any phone in your building.
- Immediately call your gas supplier from a neighbor's phone. Follow the gas supplier's instructions.
- If you cannot reach your gas supplier, call the fire department.

— Installation and service must be performed by a qualified installer, service agency or the gas supplier.

**Important:** Observe all governing codes and ordinances.

Do not obstruct flow of combustion and ventilation air.

This installation must conform with all local codes and ordinances. In the absence of local codes, installation must conform with American National Standard, National Fuel Gas Code ANSI Z223.1 — latest edition\*.

It is the customer's responsibility:

- To contact a qualified electrical installer.
- To assure that the electrical installation is adequate and in conformance with National Electrical Code, ANSI/NFPA 70 — latest edition\*\*, and all codes and ordinances.

**Cabinet opening dimensions** shown must be used. Given dimensions are minimum clearances.

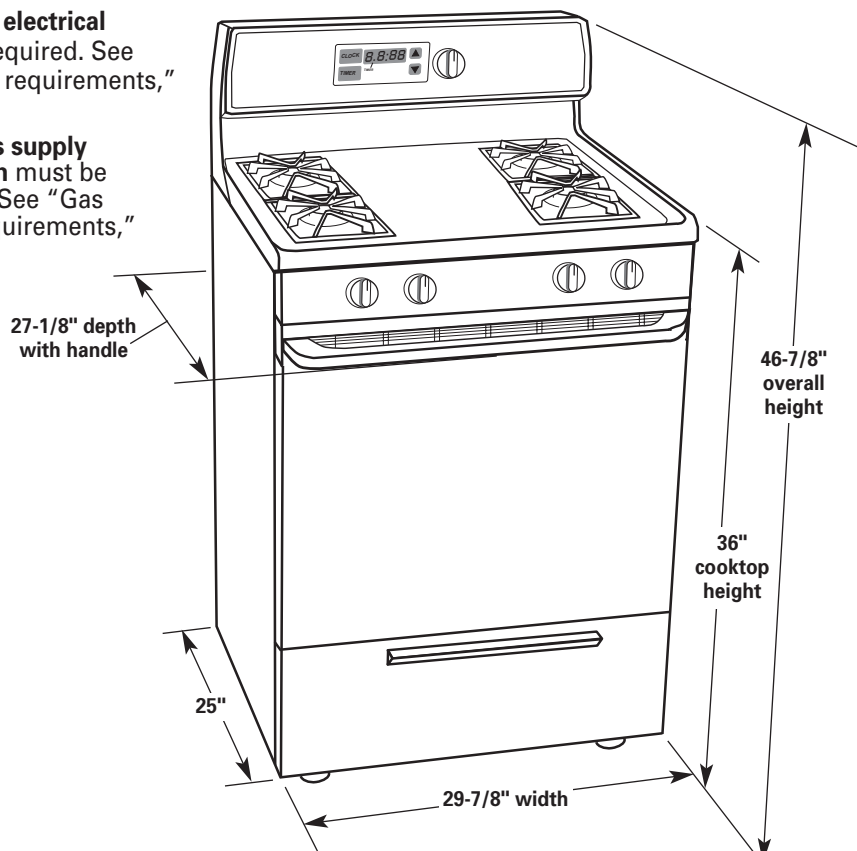
When installing a range under existing cabinets and the installation does not meet the minimum cabinet clearances, install a range hood above the cooktop to avoid burn hazards.

**Proper installation** is your responsibility. A qualified technician must install this range. Make sure you have everything necessary for correct installation. It is the installer's responsibility to comply with installation clearances specified on the gas information label. The gas information label and model/serial rating plate are located on the frame behind the storage drawer.

## Product dimensions

**Grounded electrical outlet** is required. See "Electrical requirements," Page 3.

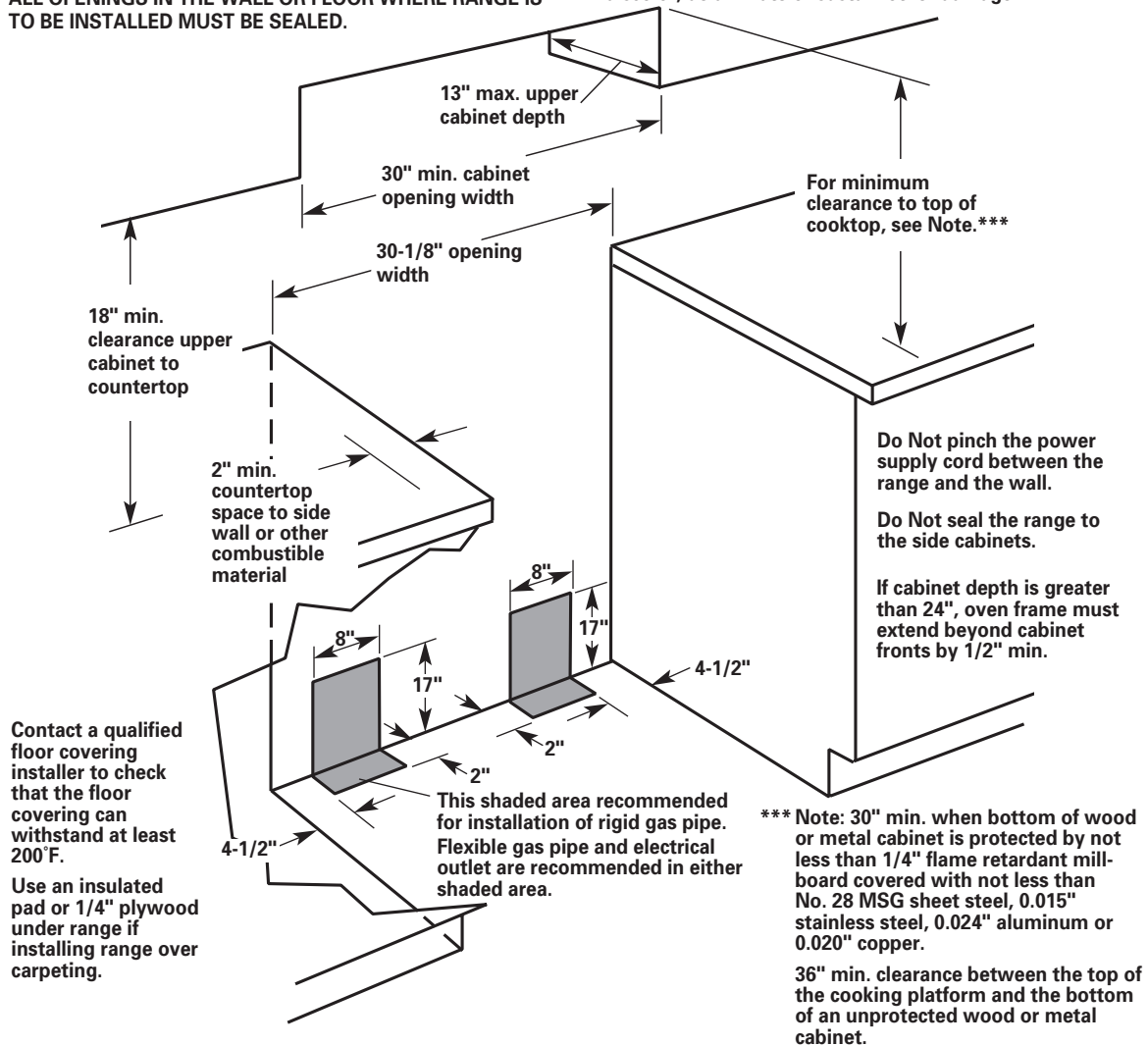
**Proper gas supply connection** must be available. See "Gas supply requirements," Page 3.



## Cabinet dimensions/requirements

Check location where range will be installed. The range should be located for convenient use in the kitchen. Recessed installations must provide complete enclosure of the sides and rear of range. **ALL OPENINGS IN THE WALL OR FLOOR WHERE RANGE IS TO BE INSTALLED MUST BE SEALED.**

**IMPORTANT:** Some cabinet and building materials are not designed to withstand the heat produced by the oven for baking and self-cleaning. Check with your builder or cabinet supplier to make sure that the materials used will not discolor, delaminate or sustain other damage.



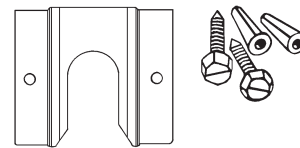
Contact a qualified floor covering installer to check that the floor covering can withstand at least 200°F.

Use an insulated pad or 1/4" plywood under range if installing range over carpeting.

This shaded area recommended for installation of rigid gas pipe. Flexible gas pipe and electrical outlet are recommended in either shaded area.

## Anti-tip bracket

The floor-mounted anti-tip bracket **MUST** be installed. To install the anti-tip bracket supplied, see Pages 4-5 and the anti-tip bracket template/instruction sheet.



## Mobile home installation

The installation of this range must conform with the Manufactured Home Construction and Safety Standard, Title 24 CFR, Part 3280 [formerly the Federal Standard for Mobile Home Construction and Safety, Title 24, HUD (Part 280)] or, when such standard is not applicable, the Standard for Manufactured Home Installations, ANSI/NCSCS A225.1 and Manufactured Home Installations, Sites, and Communities ANSI/NFPA 501A\*\*, or with local codes.

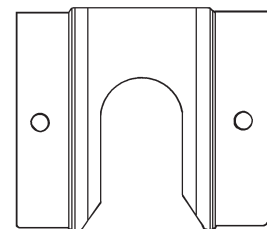
When this range is installed in a mobile home, it must be secured to the floor during transit. Any method of securing the range is adequate as long as it conforms to the standards listed above.

Copies of the standards listed may be obtained from:

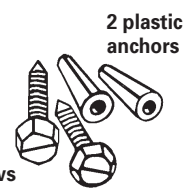
\***CSA International**  
8501 East Pleasant Valley Road  
Cleveland, Ohio 44131-5575

\*\***National Fire Protection Association**  
One Batterymarch Park  
Quincy, Massachusetts 02269

## Parts supplied



floor-mounted anti-tip bracket

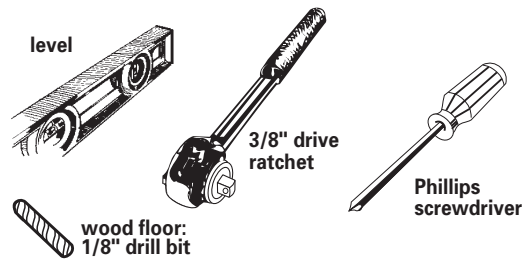


2 screws (#10 x 1-1/2")

Not shown:  
• literature pack  
• orifice spuds

Bracket must be securely mounted to sub-floor. Thickness of flooring may require longer screws to anchor bracket to sub-floor. Longer screws are available from your local hardware store.

## Tools needed



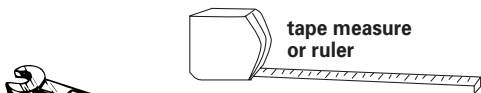
level

3/8" drive ratchet

Phillips screwdriver

wood floor:  
1/8" drill bit

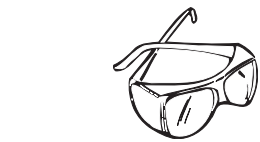
concrete/ceramic floors:  
3/16" carbide-tipped masonry drill bit (Hammer may be needed for anchors.)



tape measure or ruler

5/16", 1/2" and 3/8" combination wrench

channel lock pliers



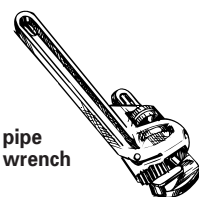
safety glasses



gloves



hand or electric drill



pipe wrench

### Materials required:

- gas line shutoff valve
- 1/2" male pipe thread nipple for connection to pressure regulator
- L.P. gas-resistant pipe-joint compound
- AGA or CSA design-certified flexible metal appliance connector (4-5 feet) or rigid gas supply line as needed
- Insulated pad or 1/4" plywood if range is installed over carpeting

## Electrical requirements

### ⚠ WARNING



**Electrical Shock Hazard**  
**Plug into a grounded 3-prong outlet.**  
**Do not remove ground prong.**  
**Do not use an adapter.**  
**Failure to follow these instructions can result in death, fire, or electrical shock.**

If codes permit and a separate ground wire is used, it is recommended that a qualified electrician determine that the ground path is adequate.

**Do Not ground to a gas pipe.**

**Check with a qualified electrician if you are not sure range is properly grounded.**

A 120-volt, 60-Hz, AC-only, 10-ampere, fused electrical supply is required. A time-delay fuse or circuit breaker is recommended. It is recommended that a separate circuit serving only this appliance be provided.

Electronic ignition systems operate within wide voltage limits, but proper grounding and polarity are necessary. In addition to checking that the outlet is correctly grounded, the outlet must be checked by a qualified electrician to see if it is wired with correct polarity.

**Important:** This range is equipped with an electronic ignition system that will not operate if plugged into an outlet that is not properly polarized.

A wiring diagram is included on the back of the range.

See "Cabinet dimensions/requirements," Page 2, for recommended location of electrical outlet.

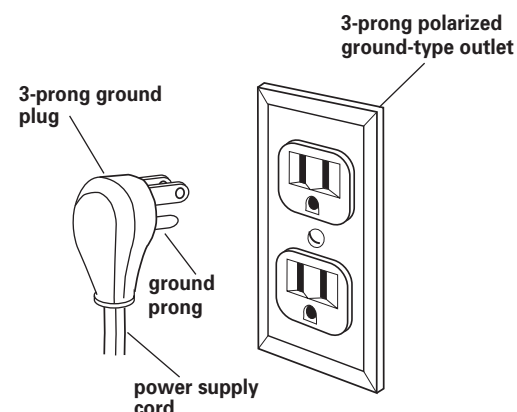
## Recommended ground method

For your personal safety, this range must be grounded. This range is manufactured with a power supply cord having a 3-prong ground plug. To minimize possible shock hazard, the cord must be plugged into a mating, 3-prong, ground-type outlet, grounded in accordance with National Electrical Code, ANSI/NFPA 70 — latest edition\* and all local codes and ordinances.

If a mating outlet is not available, it is the responsibility and obligation of the customer to have a properly polarized grounded, 3-prong outlet installed by a qualified electrician.

Copies of the standards listed may be obtained from:

\* National Fire Protection Association  
 One Batterymarch Park  
 Quincy, Massachusetts 02269



## Gas supply requirements

### ⚠ WARNING



#### Explosion Hazard

**Use a new AGA or CSA approved gas supply line.**

**Install a shut-off valve.**

**Securely tighten all gas connections.**

**If connected to LP, have a qualified person make sure gas pressure does not exceed 13" water column. Examples of a qualified person include licensed heating personnel, authorized gas company personnel, and authorized service personnel.**

**Failure to do so can result in death, explosion, or fire.**

Observe all governing codes and ordinances.

**This installation must conform with all local codes and ordinances.** In the absence of local codes, installation must conform with American National Standard, National Fuel Gas Code ANSI Z223.1 — latest edition\*\*.

**Input ratings** shown on the model/serial rating plate are for elevations up to 2,000 feet. For assistance when installing the range at higher elevations, contact your local service company.

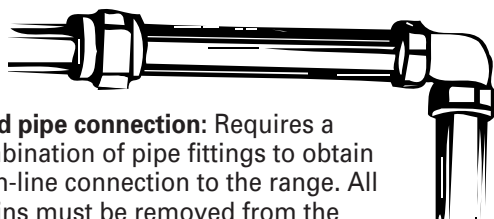
**Type of gas:** This range is design-certified by CSA International for use with Natural gas or, after proper conversion, for use with L.P. gas. This range is factory set for use with Natural gas. Gas conversion instructions are provided on pages 7-8. The model/serial rating plate located on the frame behind the storage drawer or broiler drawer has information on the type of gas that can be used. If the type of gas listed does not agree with the type of gas available, check with the local gas supplier. **Conversion must be done by a qualified service technician.**

**Gas supply line:** Provide a gas supply line of 3/4" rigid pipe to the range location. With L.P. gas, piping or tubing size can be 1/2" minimum. A smaller size pipe on longer runs may result in insufficient gas supply. Usually, L.P. gas suppliers determine the size and materials used in the system.

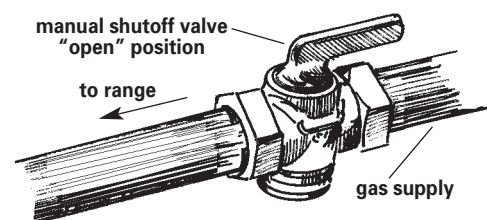
**Pipe-joint compounds** made for use with L.P. gas must be used on pipe threads only.



**Flexible metal appliance connection:** If local codes permit, a new AGA or CSA design-certified, 1/2" or 3/4" I.D., flexible metal appliance connector is recommended for connecting range to the gas supply line. A 1/2" male pipe thread nipple is needed for connection to pressure regulator female pipe threads. **Do Not kink or damage the flexible metal tubing when moving the range.**



**Rigid pipe connection:** Requires a combination of pipe fittings to obtain an in-line connection to the range. All strains must be removed from the supply and fuel lines so range will be level and in line.



**Shutoff valve:** The supply line must be equipped with a manual shutoff valve. This valve should be located in the same room as the range and should be in a location that allows ease of opening and closing. The valve is for turning on or shutting off gas to the range. **Do Not block access to shutoff valve.**

**Pressure regulator:** The gas pressure regulator supplied with this range must be used. The inlet pressure to the regulator should be as follows for proper operation:

#### NATURAL GAS:

Minimum pressure: 5 inches WCP  
 Maximum pressure: 14 inches WCP

#### L.P. GAS:

Minimum pressure: 11 inches WCP  
 Maximum pressure: 14 inches WCP

Contact local gas supplier if you are not sure about the inlet pressure.

**Line pressure testing above 1/2 psi gauge (14" WCP)** — The range and its individual manual shutoff valve must be disconnected from the gas supply piping system during any pressure testing of that system at test pressures greater than 1/2 psig (3.5 kPa).

**Line pressure testing at 1/2 psi gauge (14" WCP) or lower** — The range must be isolated from the gas supply piping system by closing its individual manual shutoff valve during any pressure testing of that system at test pressures equal to or less than 1/2 psig (3.5 kPa).

Copies of the standards listed may be obtained from:

\*\*CSA International  
 8501 East Pleasant Valley Road  
 Cleveland, Ohio 44131-5575

Electronic clock/timer optional on some models

**D** Plug power supply cord into grounded outlet

**D** Make proper gas connection

**B** Install anti-tip bracket

**C** Secure range with anti-tip bracket

**E** Check cooktop burners for proper flame

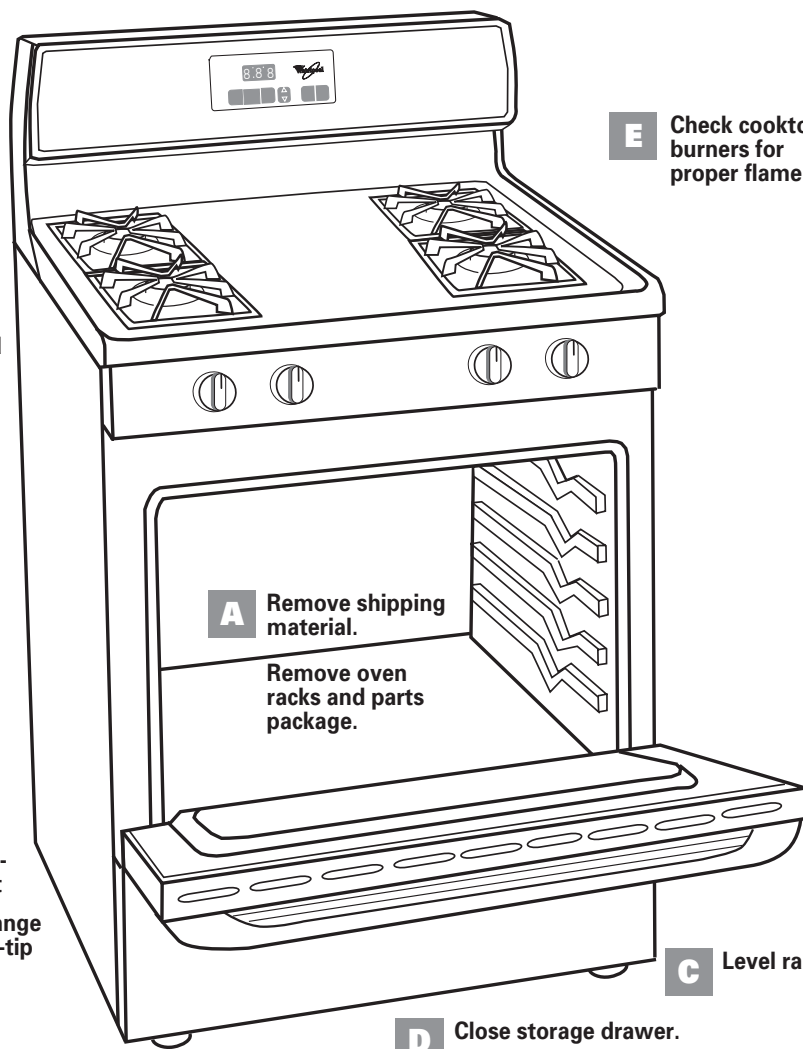
**A** Remove shipping material.

Remove oven racks and parts package.

**C** Level range

**D** Close storage drawer.

**E** Check burner operation



## Installation steps

### A Preparation

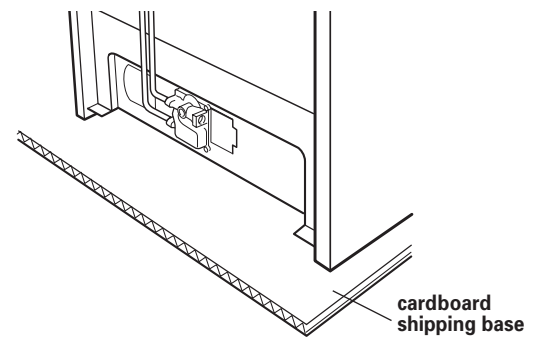
#### ! WARNING

**Excessive Weight Hazard**  
Use two or more people to move and install range.  
Failure to follow this instruction can result in back or other injury.

**1.** Put on safety glasses and gloves. Do Not use oven door handle to lift or move the range.

**2.** Remove oven racks and parts package from inside oven. Remove shipping materials, tape and protective film from range.

**3.** Keep cardboard shipping base under range to prevent damage to floor covering.



### B Anti-tip bracket installation

#### ! WARNING



#### Tip Over Hazard

A child or adult can tip the range and be killed.

Connect anti-tip bracket to rear range foot.

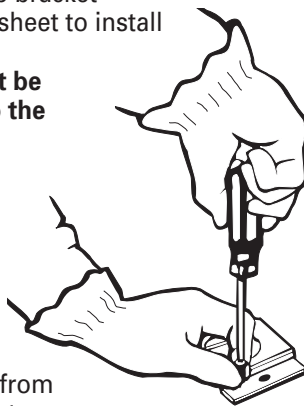
Reconnect the anti-tip bracket, if the range is moved.

Failure to follow these instructions can result in death or serious burns to children and adults.

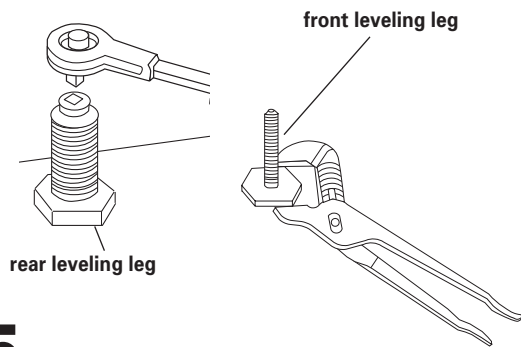
Contact a qualified floor covering installer for the best procedure for drilling mounting holes through your type floor covering.

**4.** Use the anti-tip bracket template/instruction sheet to install the anti-tip bracket. **Anti-tip bracket must be anchored securely to the sub floor.**

Depending on the thickness of your flooring, longer screws may be needed to anchor the bracket to the sub floor. Longer screws are available from your local hardware store.



## C Operating position

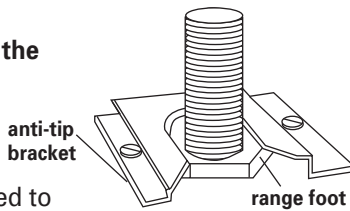


**5.** Remove cardboard shipping base from under range. Open broiler drawer. Use a 3/8" drive ratchet to lower rear leveling legs one-half turn. Use channel lock pliers to lower front leveling legs one-half turn.

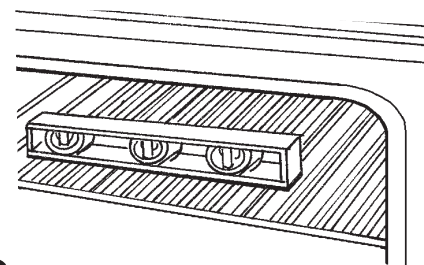
Before moving range across floor, check that range is still on cardboard shipping base to protect floor covering.

**6.** Making sure the anti-tip bracket is installed:

- Look for the anti-tip bracket securely attached to floor.
- Slide range back so rear range foot is under anti-tip bracket.



**7.** If installing the range in a mobile home, you MUST secure the range to the floor. Any method of securing the range is adequate as long as it conforms to the "Manufactured Home Construction and Safety Standard," Page 2.



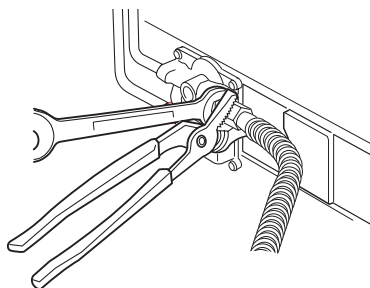
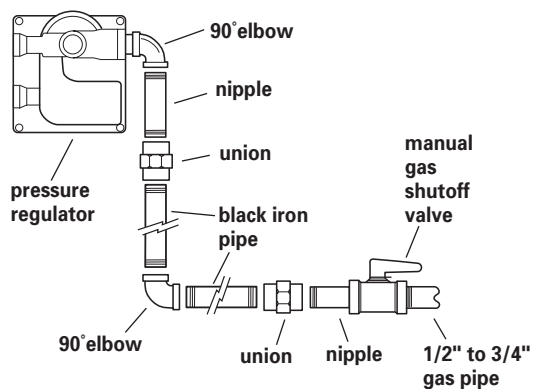
**8.** Place rack in oven. Place level on rack, first side to side; then front to back. If range is not level, pull range forward until rear leveling leg is removed from the anti-tip bracket. Use 3/8" drive ratchet and channel lock pliers to adjust leveling legs up or down until range is level. Push range back into position. Check that rear leveling leg is engaged in anti-tip bracket.

**Note:** Oven must be level for satisfactory baking conditions.

## D Gas and electrical connections

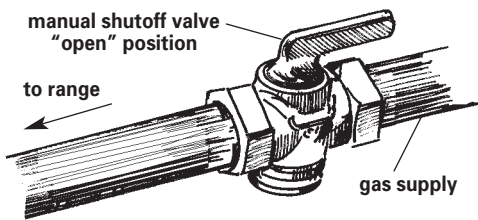
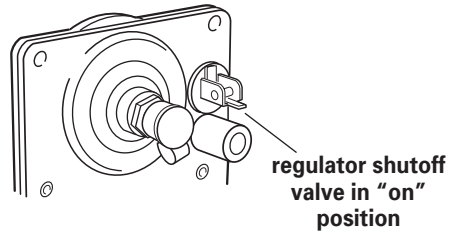
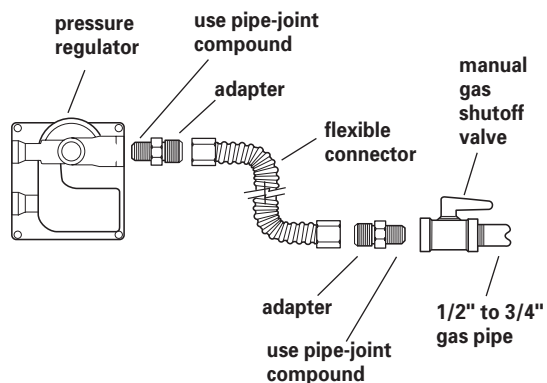
All connections must be wrench-tightened.

Typical rigid pipe connection



**10.** Use 15/16" combination wrench and channel lock pliers to attach the flexible connector to the adapters. Check that connector is not kinked.

Typical flexible connection



**11.** Check that range regulator shutoff valve is in the "on" position. Open the manual shutoff valve in the gas supply line.

**12.** Use a brush and liquid detergent to test all gas connections. Bubbles around connections will indicate a leak. If a leak appears, shut off gas valve controls and tighten connections. Then check connections again. **Never test for gas leaks with a match or other flame.** Clean all detergent from range. Replace storage drawer/close storage drawer.

**13.** Place burner grates over surface burner.

**14.** Plug power supply cord into grounded electrical outlet.

A 1/2" male pipe thread is needed for connection to pressure regulator female pipe threads.

**9.** Apply pipe-joint compound made for use with L. P. gas to the smaller thread ends of the flexible connector adapters. Attach one adapter to the pressure regulator elbow and the other adapter to the gas shutoff valve. Tighten both adapters.

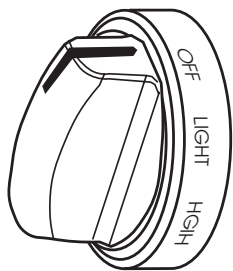
## E Check operation

### Electronic ignition system

Cooktop and oven burners use electronic igniters in place of standing pilots. When a cooktop control knob is turned to the "LIGHT" position, the system creates a spark to light the burner. This sparking continues until the control knob is turned to the desired setting.

When the oven control is set to the desired setting, a series of sparks lights the oven burner. The sparking will stop when burner gas lights. Sparking will again occur to re-light the burner everytime the burner cycles back on again.

### Check operation of cooktop



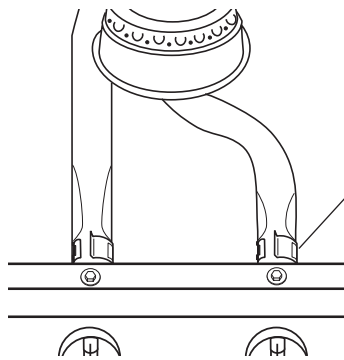
**15.** Push in and turn each surface unit control knob to "LIGHT" position. The flame should light within 4 seconds. Turn control knob to "HIGH" position after burner lights. **Check each cooktop burner for proper flame.**

The small inner cone should have a very distinct blue flame 1/4" to 1/2" long. The outer cone is not as distinct as the inner cone. If the flame is noisy or blowing, it is getting too much air. If the flame is soft and lazy, it is not getting enough air. Turn surface burner control knobs to "OFF" position. Adjust air shutter if needed.



#### If surface burners need adjusting:

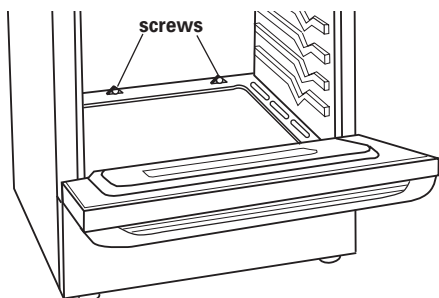
1. Lift up cooktop maintop until it is held in place by support rods.



- Adjust the air shutter for each burner by hand as needed. Close the air shutter to decrease the amount of air to the flame. Open the air shutter to increase the amount of air to the flame. Adjust the air shutter to the widest opening that will not cause the flame to lift or blow off of the burner.
- Repeat the first part of Step 15 after adjusting the air shutters.

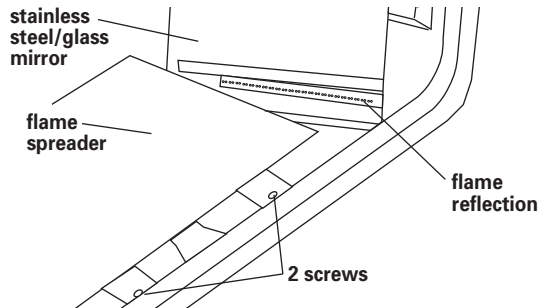
### Check operation of oven burner

**16.** Open oven door.



#### Remove oven bottom:

Remove two screws at the rear of the oven bottom. Lift the rear of the oven bottom up and back until the front of the panel is away from the front frame. Remove from oven.



You can check the burner flame by removing the flame spreader or by using a mirror.

#### Remove flame spreader:

Remove two screws from the front tabs of the flame spreader. Lift front of the flame spreader and pull forward to remove tabs from rear of oven.

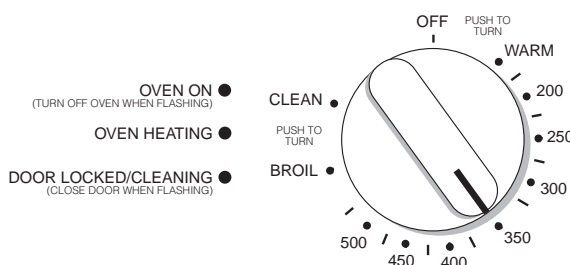
#### Using a mirror:

Insert mirror to one side of the burner. Look into mirror to check flame.

**17.** Follow the instructions for your type of oven controls.

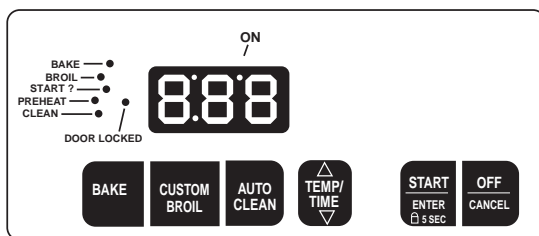
**Note: A faint ticking sound will be heard while the burner lights. The burner should light within 8 seconds.**

#### If your range has an oven temperature control knob:



Push in and turn the oven selector control knob to "350". If the burner fails to light due to air remaining in the gas line, reset the oven control by turning selector knob to "OFF" and then again to "350".

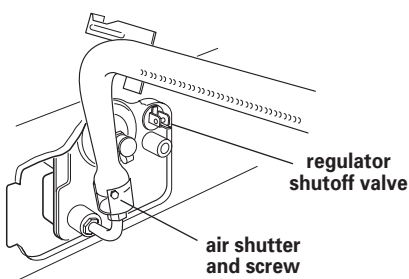
#### If your oven has this type of electronic control:



If your oven has electronic control pads only:

- Press the "BAKE" pad.
  - The "BAKE" indicator will light.
  - "350" will appear in the display.
- Press the START/ENTER pad.
  - The "HEAT" and "ON" indicators will light.
  - If the burner fails to light due to air remaining in the gas line, reset the oven control by pressing the "OFF/CANCEL" pad and then pressing the "BAKE" and "START/ENTER" pads again to reactivate the bake operation.

**18.** Check the oven burner for proper flame. The flame should be 1/2" long, with inner cone of bluish-green, and outer mantle of dark blue, and should be clean and soft in character. No yellow tips, blowing or lifting of flame should occur. **If burner does not light, check that the regulator shutoff valve is in the "on" position (see Step 11).**



#### If oven flame needs adjusting:

Locate the air shutter next to the pressure regulator. Loosen screw and adjust the air shutter until the proper flame appears. Tighten screw.

**19.** Turn the control knob to "OFF" or press the "OFF/CANCEL" pad.

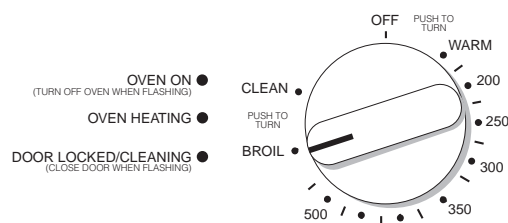
**20.** Replace flame spreader, oven bottom and oven racks.

### Check operation of oven broil burner

**21.** Follow the instructions for your type of oven controls.

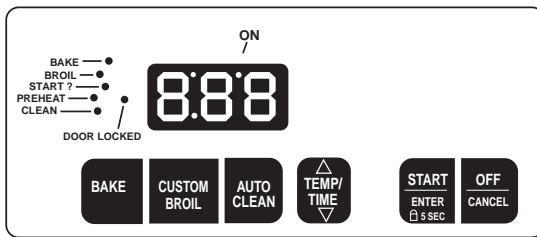
**Note: A faint ticking sound will be heard while the burner lights. The burner should light within 8 seconds.**

#### If your range has an oven temperature control knob:



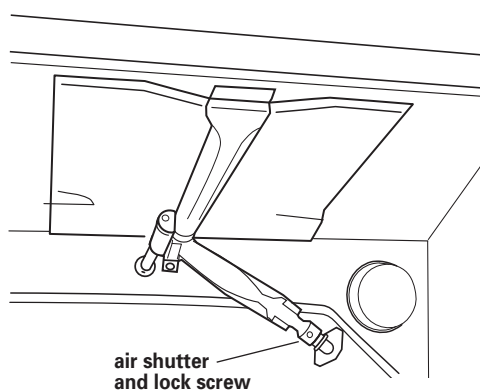
Push in and turn the oven selector control knob to "BROIL." If the burner fails to light due to air remaining in the gas line, reset the oven control by turning selector knob to "OFF" and then again to "BROIL".

#### If your oven has this type of electronic control:



- Press the "CUSTOM BROIL" pad.
  - "525" or "HI" will appear in the display.
  - The "BROIL" indicator will light.
- Press the "START/ENTER" pad.
  - "HEAT" and "ON" indicators will light.
  - If the burner fails to light due to air remaining in the gas line, reset the oven control by pressing the "OFF/CANCEL" pad and then pressing the "CUSTOM BROIL" and "START/ENTER" pads again to reactivate the bake operation.

**22.** Check the broil burner for proper flame. The flame should be 1/2" long, with inner cone of bluish-green, and outer mantle of dark blue, and should be clean and soft in character. No yellow tips, blowing or lifting of flame should occur.



#### If flame needs to be adjusted:

Loosen the lock screw on the air shutter located at the rear of the broil burner. Adjust the air shutter as needed. Tighten lock screw.

**23.** Turn the oven control knob to "OFF" or press the "OFF/CANCEL" pad.

# Gas conversions

Gas conversions (from Natural gas to L.P. gas; or from L.P. gas to Natural gas) must be done by a qualified installer.

## ⚠ WARNING



### Fire Hazard

Shut off gas supply line valve.

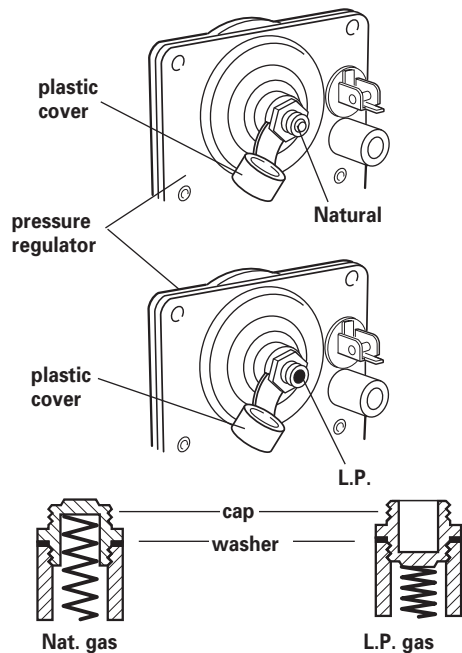
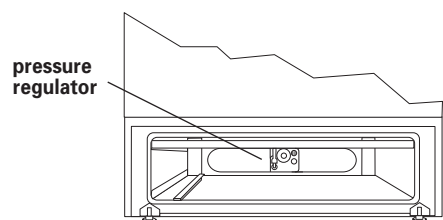
Make all conversions before turning gas supply valve back on.

Failure to follow these instructions can result in explosion, fire or other injury.

## L.P. gas conversion

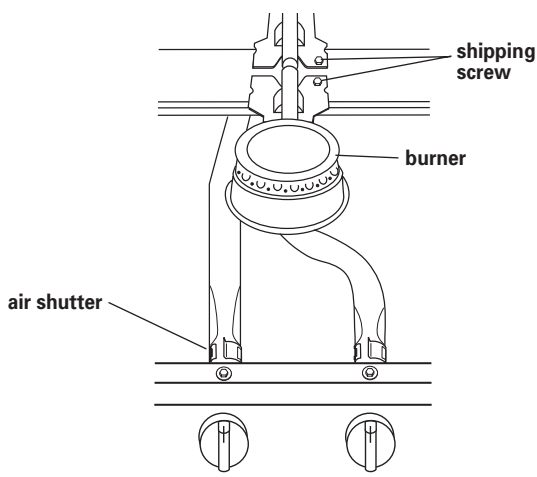
**1** Complete installation sections A-C (Pages 4-5) before converting cooktop to L.P. gas. **Check that main gas supply line has been shut off and the power supply cord is disconnected.**

**2** Remove burner grates.

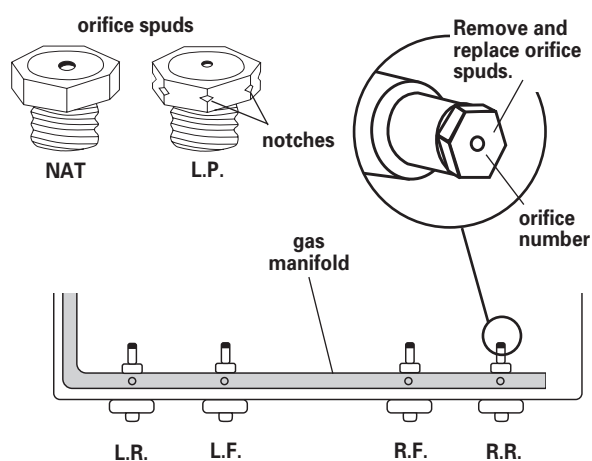


**DO NOT REMOVE THE PRESSURE REGULATOR.**

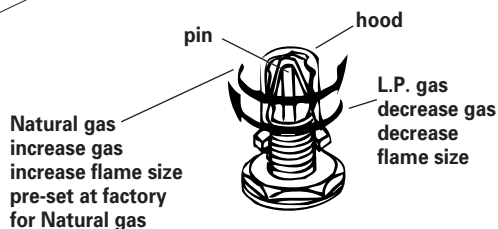
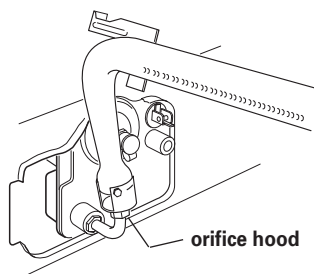
**3** Open broiler drawer to locate pressure regulator.  
**Pressure regulator:** Remove plastic cover. Turn cap marked "N" on front of pressure regulator counterclockwise with a wrench to remove. **Do Not disturb or remove the spring beneath the cap.** Turn the cap over and reinstall cap on regulator so that the letters "L.P." are visible. Replace plastic cover over cap.



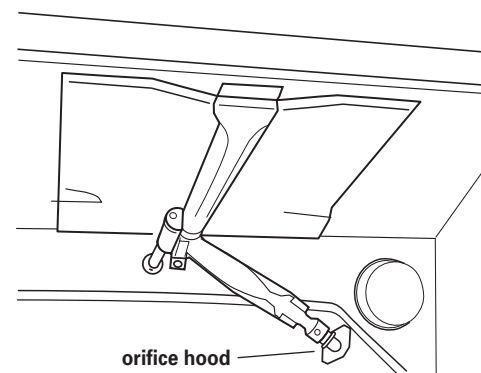
**4** **Cooktop burners:** Lift up cooktop maintop until it is held in place by support rods. Remove shipping screws from each burner. Remove burners.



**5** Locate L.P. gas orifice spuds in a literature package included with the range. All L.P. gas orifice spuds are stamped with "66". Remove Natural gas orifice spuds using a 3/8" combination wrench. Install L.P. gas orifice spuds to replace the Natural gas orifice spuds. Place Natural gas orifice spuds in plastic parts bag for future use and keep with literature package. Reinstall burners. Lower maintop to operating position. Reinstall burner grates.



**6** **Oven burner:** Use 1/2" combination wrench to turn the orifice hood down snug onto pin (approximately 2 to 2-1/2 turns). **DO NOT OVERTIGHTEN.** The burner flame cannot be properly adjusted if this conversion is not made.



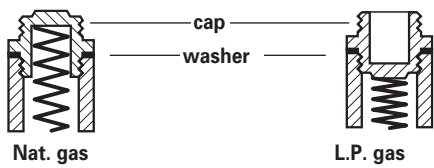
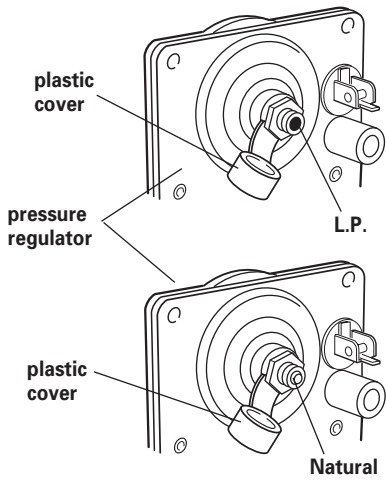
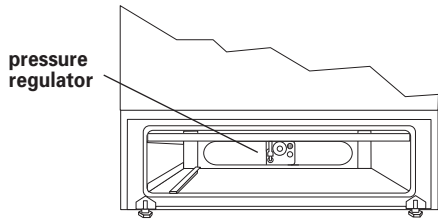
**7** **Broil burner:** Use 1/2" combination wrench to turn the orifice hood down snug onto pin (approximately 2 to 2-1/2 turns). **DO NOT OVERTIGHTEN.** The burner flame cannot be properly adjusted if this conversion is not made.

**8** Complete installation sections D through E, Pages 5-6. Check for proper flame. The small inner cone should have a very distinct blue flame 1/4" to 1/2" long. The outer cone is not as distinct as the inner cone. L.P. gas flames have a slightly yellow tip. If the flame is noisy or blowing, it is getting too much air. If the flame is soft and lazy, it is not getting enough air.

# Natural gas conversion

**1** ■ Check that main gas supply line has been shut off and the power supply cord is disconnected.

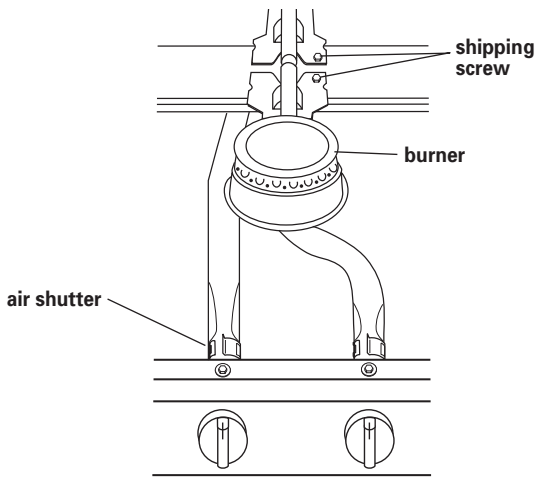
**2** ■ Remove burner grates.



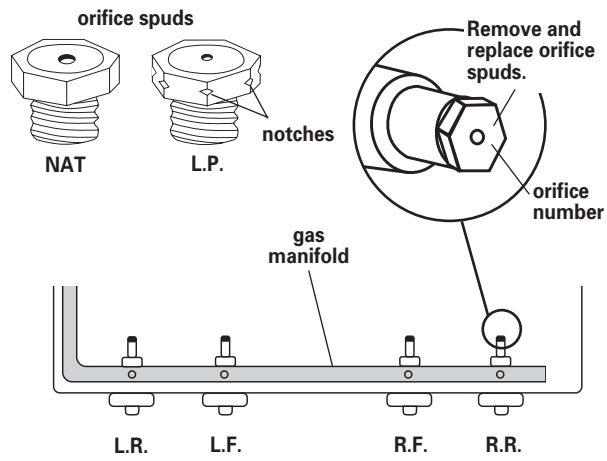
**DO NOT REMOVE THE PRESSURE REGULATOR.**

**3** ■ Open broiler drawer to locate pressure regulator.

**Pressure regulator:** Remove plastic cover. Turn cap marked "L.P." on front of pressure regulator counterclockwise with a wrench to remove. **Do Not disturb or remove the spring beneath the cap.** Turn the cap over and reinstall cap on regulator so that the letter "N" is visible. Replace plastic cover over cap.

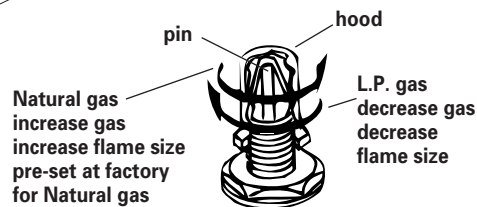
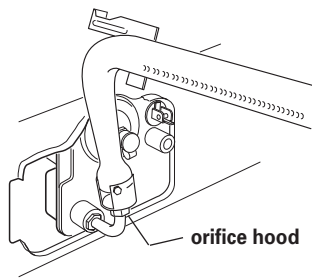


**4** ■ **Cooktop burners:** Lift up cooktop maintop until it is held in place by support rods. Remove shipping screws from each burner. Remove burners.

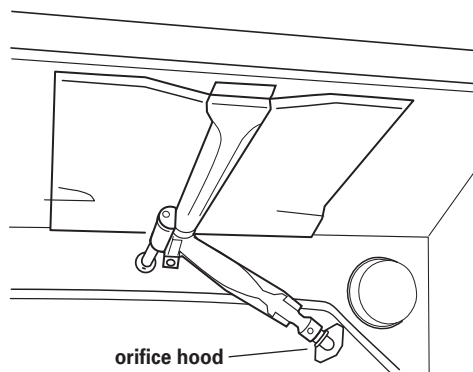


**5** ■ Locate Natural gas orifice spuds in literature package. All Natural gas orifice spuds are stamped with "54". Remove L.P. gas orifice spuds using a 3/8" combination wrench. Install Natural gas orifice spuds to replace the L.P. gas orifice spuds.

Place L.P. gas orifice spuds in plastic parts bag for future use and keep with literature package. Reinstall burners. Lower maintop to operating position. Reinstall burner grates.



**6** ■ **Oven burner:** Use 1/2" combination wrench to loosen the orifice hood away from pin (approximately 2 to 2-1/2 turns). The burner flame cannot be properly adjusted if this conversion is not made.



**7** ■ **Broil burner:** Use 1/2" combination wrench to loosen orifice hood away from pin (approximately 2 to 2-1/2 turns). The burner flame cannot be properly adjusted if this conversion is not made.

**8** ■ Complete operation checks in Section E, Page 6. Check for proper flame. Natural gas flames do not have yellow tips.



## If range does not operate:

- Check that the circuit breaker is not tripped or the house fuse blown.
- Check that the power supply cord is plugged into the wall receptacle.
- Check that gas line is turned on.
- See Use and Care Guide for troubleshooting list.

## If you need assistance:

If you have questions about operating, cleaning or maintaining your range:

- Refer to Use and Care Guide.
- Call the Consumer Assistance Center. Check your Use and Care Guide for a toll-free number to call or call the dealer from whom you purchased this range. The dealer is listed in the Yellow Pages of your phone directory under "Appliances — Household — Major — Service and Repair."

## If you need service:

Maintain the quality built into your range by calling an authorized service company.

To obtain the name and number of an authorized service company:

- Contact the dealer from whom you purchased your range; or
- Look in the Yellow Pages of your telephone directory under "Appliances — Household — Major — Service and Repair;" or
- Call the Consumer Assistance Center. The toll-free number is listed in your Use and Care Guide.

When you call, you will need:

- The range model number.
- The range serial number.

Both numbers are listed on the model/serial rating plate located on the frame behind the broiler drawer.

## Moving the range:

### **! WARNING**



#### Tip Over Hazard

**A child or adult can tip the range and be killed.**

**Connect anti-tip bracket to rear range foot.**

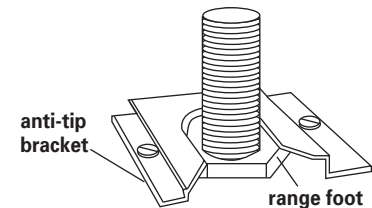
**Reconnect the anti-tip bracket, if the range is moved.**

**Failure to follow these instructions can result in death or serious burns to children and adults.**

**When moving range, slide range onto cardboard or hardboard to prevent damaging the floor covering.**

If removing the range is necessary for cleaning or maintenance:

1. Shut off the gas supply to the range.
2. Slide range forward, away from the wall, just far enough to disconnect the gas and electric supply lines.
3. Slide range forward to complete cleaning or maintenance.



4. **Making sure the anti-tip bracket is installed:**
  - Look for the anti-tip bracket securely attached to floor.
  - Slide range back so rear range foot is under anti-tip bracket.
5. Check that range is level.
6. Reconnect gas line to range and check for leaks.
7. Plug power supply cord into outlet.