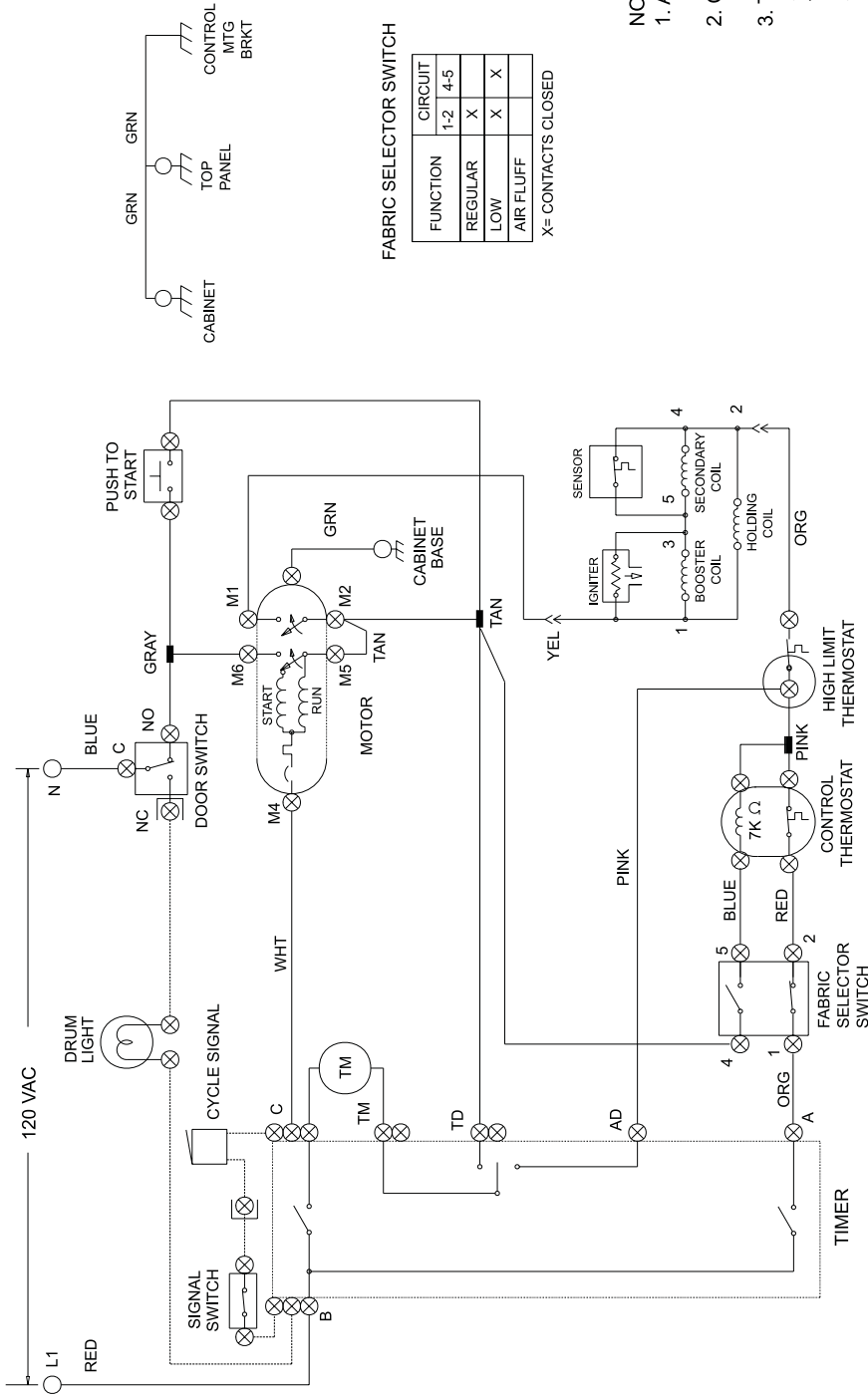


**CAUTION: DISCONNECT ELECTRIC CURRENT BEFORE SERVICING. LABEL ALL WIRES PRIOR TO DISCONNECTION WHEN SERVICING CONTROLS. WIRING ERRORS CAN CAUSE IMPROPER AND DANGEROUS OPERATION. VERIFY PROPER OPERATION AFTER SERVICING.**



**WIRING CODES**

●	PLUG-IN TIMER
⊗	QUICK DISCONNECT TERMINAL CONNECTION
+	NO CONNECTION
⊕	MOTOR SWITCH
⊖	SPLICE
⊘	MOTOR PROTECTOR
⊚	CHASSIS (CABINET) GROUND
⊙	SCREW TERMINAL
⊚	HARNES CONNECTOR TERMINAL
⊚	INSULATED TERMINAL

FABRIC SELECTOR SWITCH

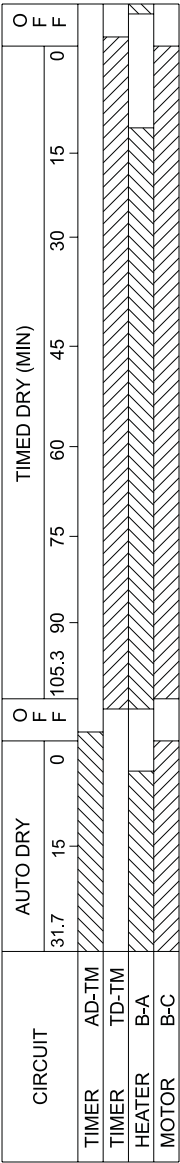
FUNCTION	CIRCUIT 1-2	4-5
REGULAR	X	
LOW		X
AIR FLUFF		X

X= CONTACTS CLOSED

- NOTES:**
1. ALL WIRING MUST CONFORM TO LOCAL ELECTRICAL CODES.
  2. CONNECT DRYER TO A 15 AMPERE INDIVIDUAL BRANCH CIRCUIT.
  3. TIMER SHOWN IN OFF POSITION, DOOR SWITCH CLOSED, MOTOR AT REST, THERMOSTAT CLOSED AND FABRIC SELECTOR SWITCH AT REGULAR.

NOTE: DASHED LINES INDICATE CIRCUITS THAT ARE NOT IN ALL MODELS.

BAR CHART TO THE LEFT REPRESENTS ONE COMPLETE REVOLUTION OF TIMER SHAFT.



SHADED PORTION OF BAR CHART INDICATES THE PROPORTIONAL TIMES THAT INTERNAL TIMER CONTACTS ARE CLOSED.