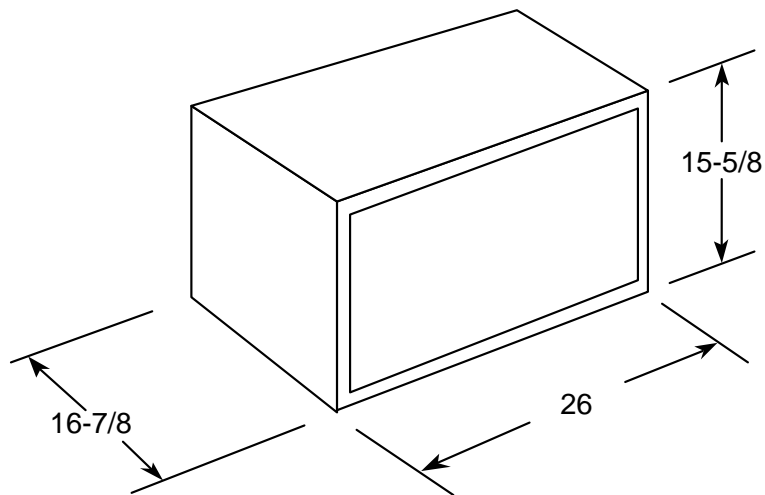




GE Appliances

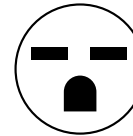
AJA12DF—"J Series" Cool Unit

Wall Case Dimensions (in inches)



Note: When installing units in through-the-wall applications. Do not restrict air flow areas.

Tandem



230/208V
15 Amp

For answers to your GE Monogram,[™] GE Profile,[™] GE, Hotpoint and RCA appliance questions, call GE Answer Center[®] service, 800.626.2000.



Total capacity and E.E.R. ratings are calculated based on the Association of Home Appliance Manufacturers' stan



Listed by Underwriters Laboratories

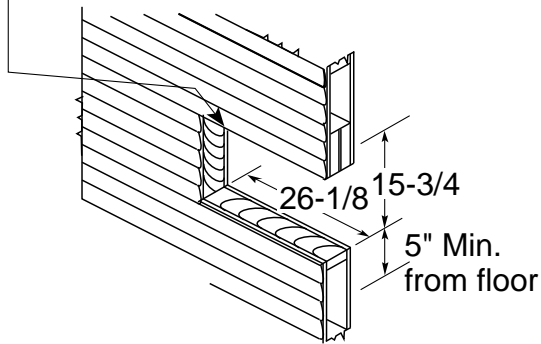


GE Appliances

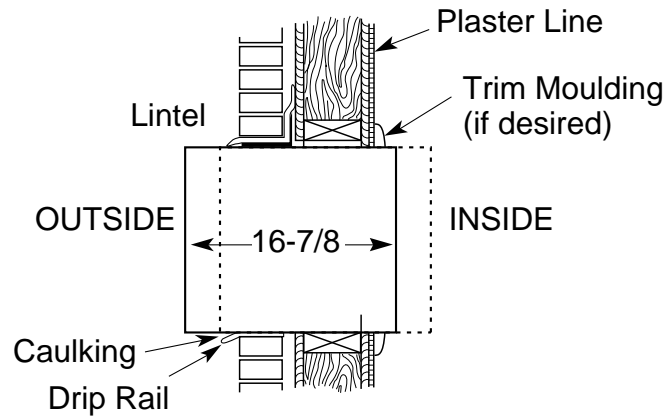
AJA12DF—Built-In Room Air Conditioner RAB46/47/48

Dimensions (in inches)

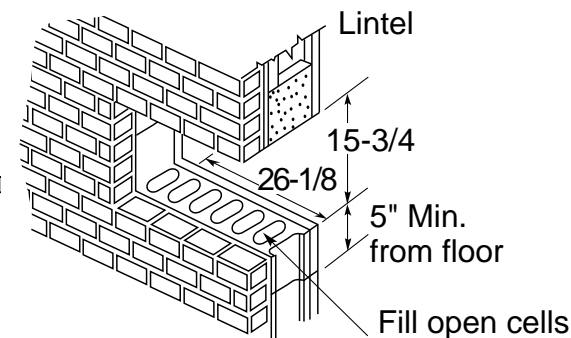
Make frame if desired or caulk between case and siding



Frame Construction



Flexible Mounting Position



Brick Block and Brick Frame Construction

Fill open cells with mortar or insulation

Installation Information: A finished opening of 26-1/8" x 15-3/4" clear of intrusions is required. Keep clearance of 4" from side walls. Brick veneer or frame walls should have wood studding surrounding case to provide firm anchoring with screws. Case can be fastened directly to brick or block walls with screws sunk in lead expansion shields.

For answers to your GE Monogram™, GE Profile™, GE, Hotpoint and RCA appliance questions, call GE Answer Center® service, 800.626.2000.



Total volume and shelf area are calculated by the Association of Home Appliance Manufacturers' standards.



Listed by Underwriters Laboratories



GE Appliances

AJA12DF—"J Series" Cool Unit



Features and Benefits

- Decorative Warm Gray-Beige Front
- 11,500/11,300 BTUH, 8.5/8.5 EER, 230/208 Volts
- Hidden Energy Saver Switch for Reduced Energy Consumption
- 10-Position Thermostat
- 2 Cooling/2 Fan Speeds
- EZ Installation
- Slide-Out Filter for Easy Cleaning
- Hidden Exhaust Control for Air Exchange
- Slide-Out Chassis
- Wall Case—Optional Accessory
- Plug Type—Tandem