



# Ultra Wash Dishwasher Use & Care Guide

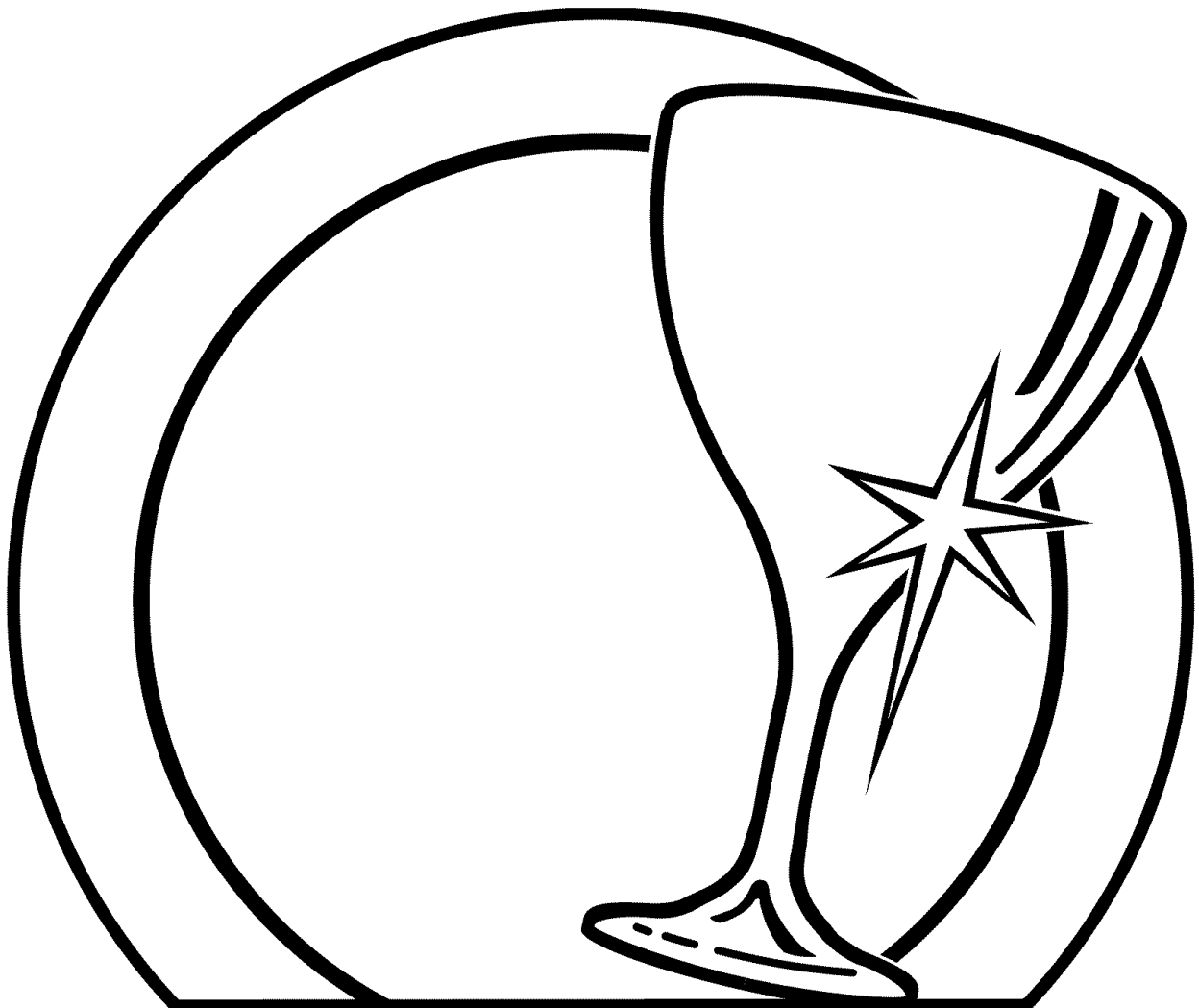
Table of Contents ..... 1 (English section)

# Lavavajillas Ultra Wash Manual de uso y cuidado

Índice ..... 1 (Sección en Español)

# Lave-vaisselle Ultra Wash Guide d'utilisation et d'entretien

Table des matières ..... 1 (Section Française)



# Table of Contents

	Page		Page
Sears Dishwasher Warranty .....	1	<b>Your Part in Cleaning Dishes</b>	
Dishwasher Safety .....	2	Using the detergent dispenser .....	10
Parts and Features .....	3	How much detergent to use .....	10
The ULTRA WASH* Soil Removal System .....	4	Using the rinse agent dispenser .....	11
<b>Start Up Guide</b>		Water temperature tips .....	11
Before using your dishwasher .....	5	Cycles .....	12
Starting your dishwasher for everyday loads .....	6	Options .....	14
<b>Loading Your Dishwasher</b>		Special features .....	15
Preparing to load your dishwasher .....	7	<b>Caring for Your Dishwasher</b>	
Loading the top rack .....	7	Cleaning your dishwasher .....	15
Loading the bottom rack .....	8	Storing your dishwasher .....	16
Loading the silverware basket .....	9	Tips for washing special items .....	17
Quiet operating tips .....	9	<b>Troubleshooting Guide</b> .....	18
		<b>We Service What We Sell</b> .....	21

## Sears Dishwasher Warranty

### FULL ONE YEAR WARRANTY ON 800 SERIES KENMORE ULTRA WASH\* DISHWASHERS

For one year from the date of purchase, when the dishwasher is installed and operated in accordance with the instructions provided in the Installation Instructions and Owners Manual, Sears will repair, free of charge, defects in materials or workmanship.

### FULL TWO YEAR WARRANTY ON ELECTRONIC CONTROL AND POWER SUPPLY BOARD

For two years from the date of purchase, when the dishwasher is installed and operated in accordance with the instructions provided in the Installation Instructions and Owners Manual, Sears will repair or replace, free of charge, the electronic module and power supply board if defective in materials or workmanship.

### FULL WARRANTY FOR THE LIFE OF THE DISHWASHER ON ULTRA LIFE\* TUB MODELS AGAINST LEAKS IN THE TUB AND INNER DOOR PANEL

For the life of the dishwasher if a leak should occur as a result of failure of the polypropylene tub or inner door panel due to cracking, chipping or peeling, Sears will replace, free of charge, the tub or inner door panel.

### LIMITED TWO YEAR WARRANTY ON THE ULTRA WASH\* WASH SYSTEM

After the first year and until two years from the date of purchase, when the dishwasher is installed and operated in accordance with the instructions provided in the Installation Instructions and Owners Manual, Sears will furnish free of charge, replacement parts for any part of the ULTRA WASH wash system (motor, pump, spray arms, ULTRAFLOW\* water feed tube, motor seals, and pump gasket) which is defective in materials or workmanship. Customer assumes any labor costs associated with replacement of these parts.

If the dishwasher is subject to other than private family use, the above warranty coverage is effective for only 90 days.

WARRANTY SERVICE IS AVAILABLE BY CONTACTING THE NEAREST SEARS SERVICE CENTER IN THE UNITED STATES OR CANADA. This warranty applies only while the product is in use in the United States or Canada. This warranty gives you specific legal rights, and you may also have other rights which vary from state to state or province to province.

Sears, Roebuck and Co.  
Dept. 817WA, Hoffman Estates, IL 60179

Sears Canada, Inc.  
Toronto, Ontario, Canada M5B2B8

\* Indicates symbol for Trademark

# Dishwasher Safety

## Your safety and the safety of others is very important.

We have provided many important safety messages in this manual and on your appliance. Always read and obey all safety messages.



This is the safety alert symbol.

This symbol alerts you to hazards that can kill or hurt you and others.

All safety messages will be preceded by the safety alert symbol and the word "DANGER" or "WARNING." These words mean:

**! DANGER**

You will be killed or seriously injured if you don't follow instructions.

**! WARNING**

You can be killed or seriously injured if you don't follow instructions.

All safety messages will identify the hazard, tell you how to reduce the chance of injury, and tell you what can happen if the instructions are not followed.

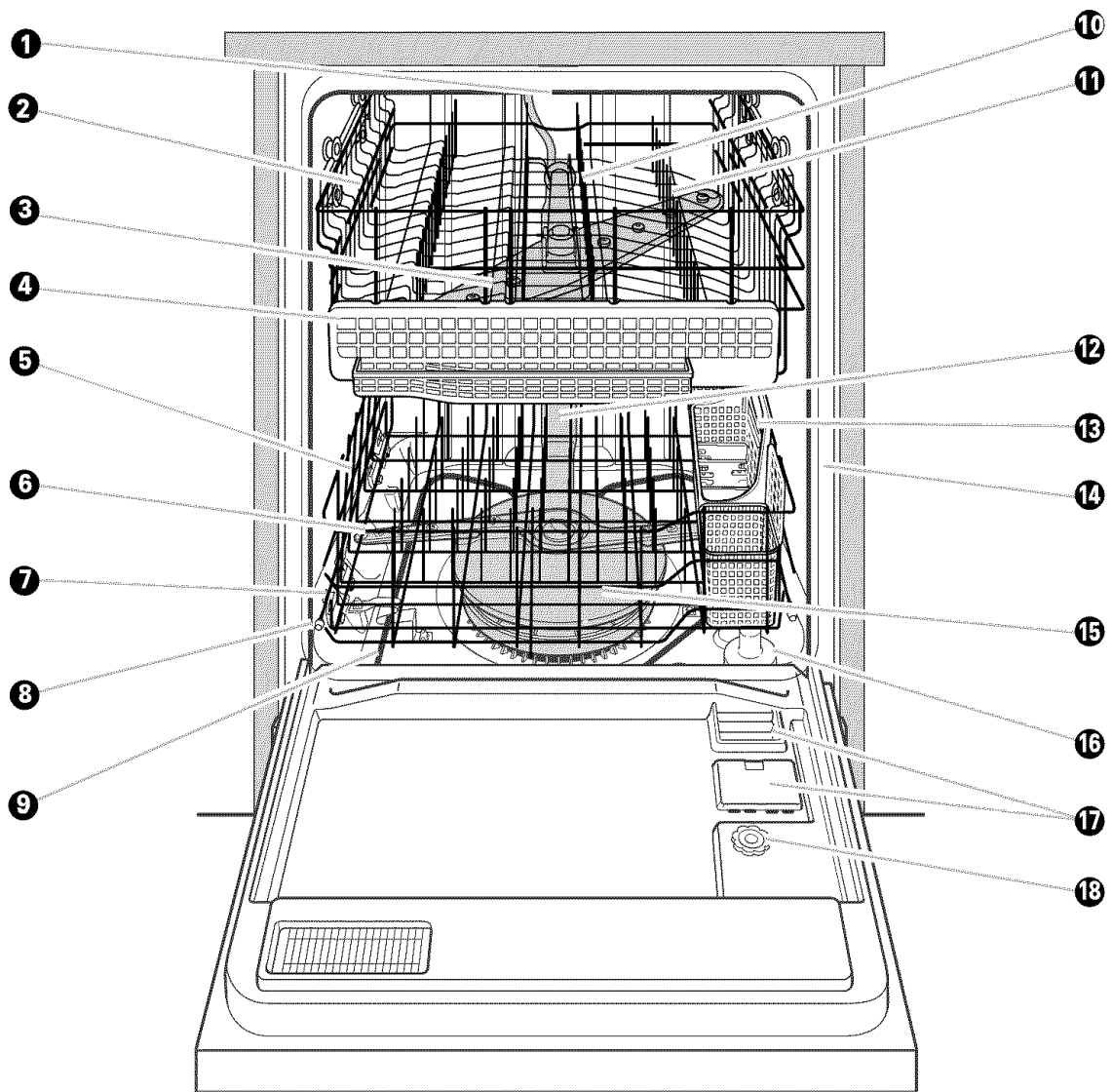
## IMPORTANT SAFETY INSTRUCTIONS

**WARNING:** When using the dishwasher, follow basic precautions, including the following:

- Read all instructions before using the dishwasher.
- Use the dishwasher only for its intended function.
- Use only detergents or rinse agents recommended for use in a dishwasher and keep them out of the reach of children.
- When loading items to be washed:
  - 1) Locate sharp items so that they are not likely to damage the door seal; and
  - 2) Load sharp knives with the handles up to reduce the risk of cut-type injuries.
- Do not wash plastic items unless they are marked "dishwasher safe" or the equivalent. For plastic items not so marked, check the manufacturer's recommendations.
- Do not touch the heating element during or immediately after use.
- Do not operate the dishwasher unless all enclosure panels are properly in place.
- Do not tamper with controls.
- Do not abuse, sit on, or stand on the door or dish racks of the dishwasher.
- To reduce the risk of injury, do not allow children to play in or on the dishwasher.
- Under certain conditions, hydrogen gas may be produced in a hot water system that has not been used for two weeks or more. **HYDROGEN GAS IS EXPLOSIVE.** If the hot water system has not been used for such a period, before using the dishwasher turn on all hot water faucets and let the water flow from each for several minutes. This will release any accumulated hydrogen gas. As the gas is flammable, do not smoke or use an open flame during this time.
- Remove the door to the washing compartment when removing an old dishwasher from service or discarding it.

**SAVE THESE INSTRUCTIONS**

# Parts and Features



- 1 Third level wash
- 2 Top rack (pg. 7)
- 3 Upper spray arm
- 4 Utensil basket (pg. 8)
- 5 Bottom rack (pg. 8)
- 6 Lower spray arm
- 7 Water inlet opening [in tub wall]
- 8 Rack bumper
- 9 Heating element
- 10 NO-FLIP\* Clip(s) (pg. 8)
- 11 Fold-down tines (pg. 8)
- 12 ULTRAFLOW\* water feed tube
- 13 Silverware basket (pg. 9)
- 14 Model and serial number label (on right side)
- 15 ULTRA WASH\* module (pg. 4)
- 16 Overfill protector
- 17 Detergent dispenser (pg. 10)
- 18 Rinse agent dispenser (pg. 11)

## Additional feature(s) your dishwasher may have:

Small items basket (pg. 8)

# The ULTRA WASH\* Soil Removal System

Your dishwasher's new ULTRA WASH Soil Removal System is designed to give you sparkling clean dishes in the shortest amount of time with the least amount of energy necessary. The ULTRA WASH System includes:

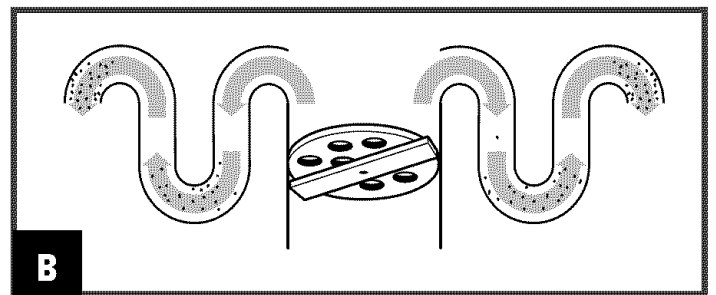
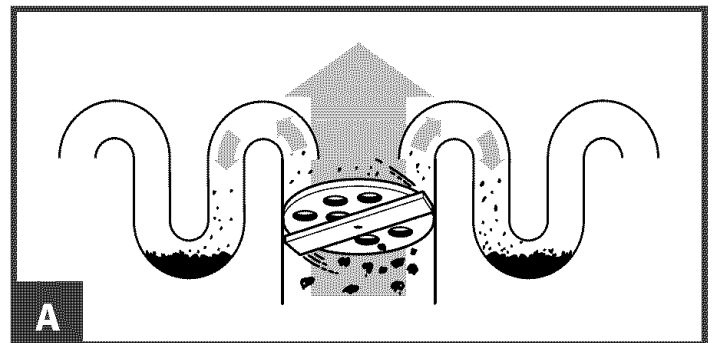
- A heavy duty grinder that acts as a food disposer to grind and dispose of large food particles.
- An ULTRA WASH Sensor that monitors the soil level in the wash load and adjusts the cycle accordingly.

## Here's how the ULTRA WASH Soil Removal System works:

1. When you load the dishwasher, all you need to do is remove bones, large chunks, or burned-on food. Any remaining food will be ground up and disposed.
2. Hot water fills the dishwasher to a level near the bottom of the overfill protector.
3. While the water is heated, the Water Heating indicator on the control panel glows and the cycle time on the electronic display holds.
4. When the water reaches the proper temperature, the Water Heating indicator turns off and the cycle time countdown resumes.
5. Detergent is added at the correct times from the detergent dispenser, and hot water is pumped through the ULTRA WASH pump.
6. Food particles are removed from dishes, pots and pans, tableware, and cutlery as the dishwasher sprays a mixture of hot water and detergent through two spray arms against their soiled surfaces.
7. Food soil in the dishwasher is held in an accumulating chamber so it does not recirculate into the dishwasher.
8. Water is pumped again through the ULTRA WASH pump to remove soil particles from the water, and "hold" them in the accumulating chamber **A**.
9. Soil in the ULTRA WASH Soil Removal System is disposed down the drain with the wash water **B**.
10. Fresh, hot water enters the dishwasher, sprays on the dishes to rinse them, and the rinse water is pumped through the ULTRA WASH System to remove any remaining soil.
11. Soil that is held in the ULTRA WASH Soil Removal System is disposed down the drain with the rinse water.
12. Final rinse water is heated and a rinse agent is added to prepare the dishes for drying.

## How the ULTRA WASH Sensor adjusts the cycle:

- When the Sensing indicator light on the control panel glows, the ULTRA WASH Sensor is measuring the amount of soil in the dishwasher.
- Once the soil level is determined, the dishwasher skips any unnecessary portions of the cycle. The cycle countdown display is adjusted automatically.
- For lighter soil loads, the dishwasher will use fewer water exchanges and shorten the cycle time. Example: A 90-minute Normal cycle with a light soil level adjusts to a 70-minute Normal cycle (including dry time).



# Start Up Guide

## Before using your dishwasher

### **⚠ WARNING**



#### Tip Over Hazard

- Do not use dishwasher until completely installed.
- Do not push down on open door.
- Doing so can result in serious injury or cuts.

### **⚠ WARNING**



#### Electrical Shock Hazard

- Electrically ground dishwasher.
- Connect ground wire to green ground connector in terminal box.
- Do not use an extension cord.
- Failure to follow these instructions can result in death, fire, or electrical shock.

### GROUNDING INSTRUCTIONS

- **For a grounded, cord connected dishwasher:**

The dishwasher must be grounded. In the event of a malfunction or breakdown, grounding will reduce the risk of electric shock by providing a path of least resistance for electric current. The dishwasher is equipped with a cord having an equipment-grounding conductor and a grounding plug. The plug must be plugged into an appropriate outlet that is installed and grounded in accordance with all local codes and ordinances.

**WARNING:** Improper connection of the equipment grounding conductor can result in a risk of

electric shock. Check with a qualified electrician or service representative if you are in doubt whether the dishwasher is properly grounded. Do not modify the plug provided with the dishwasher; if it will not fit the outlet, have a proper outlet installed by a qualified electrician.

- **For a permanently connected dishwasher:**

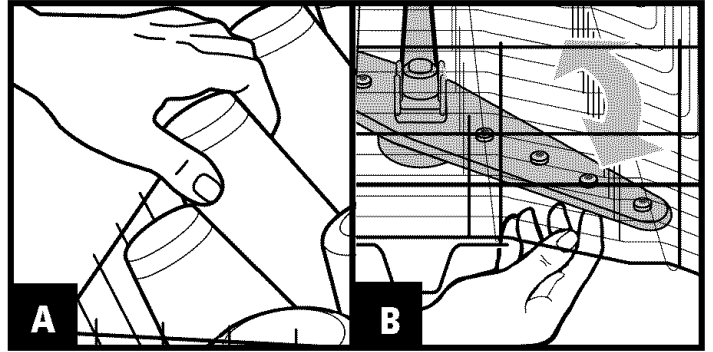
The dishwasher must be connected to a grounded metal, permanent wiring system, or an equipment-grounding conductor must be run with the circuit conductors and connected to the equipment-grounding terminal or lead on the dishwasher.

**SAVE THESE INSTRUCTIONS**

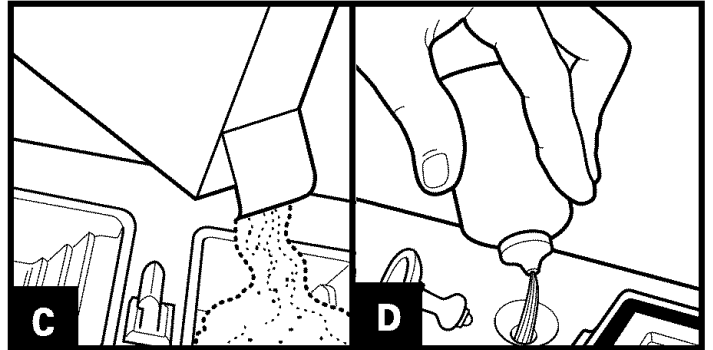
# Starting your dishwasher for everyday loads

Here is an overview for loading and running your dishwasher. Refer to the noted pages for more details of each step.

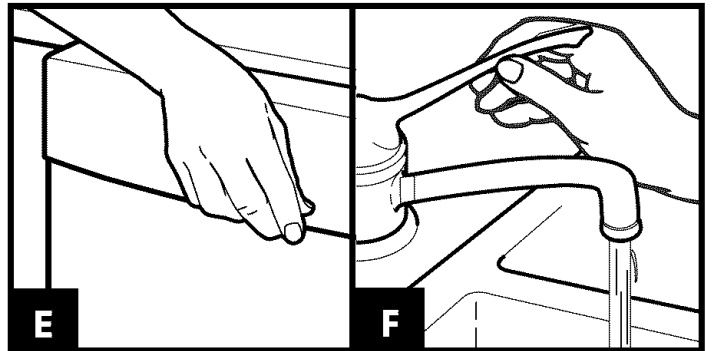
1. The ULTRA WASH\* Soil Removal System is designed to remove food particles from the wash and rinse water. Remove only large chunks of food and bones from your dishes.
2. Properly load the dishwasher **A**. Make sure nothing prevents the spray arms from spinning freely **B**. See page 7.



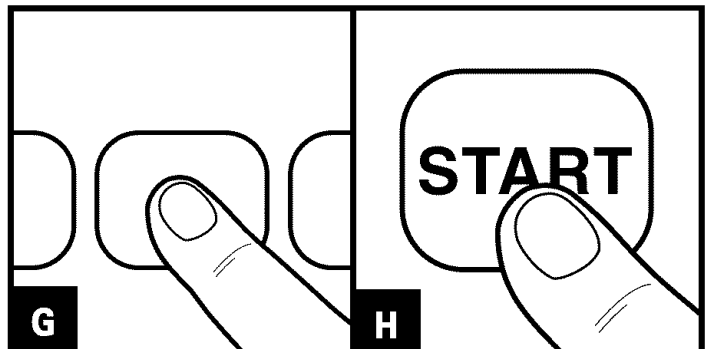
3. Add detergent **C** and check the rinse agent dispenser. Add rinse agent if needed **D**. See pages 10 and 11.



4. Push door firmly closed **E**. The door latches automatically. Run hot water at the sink nearest your dishwasher until water is hot **F**. Turn off water. See page 11.



5. Press the desired Cycle and Options selections **G**. See pages 12-14. Press the Start pad **H**.



# Loading Your Dishwasher

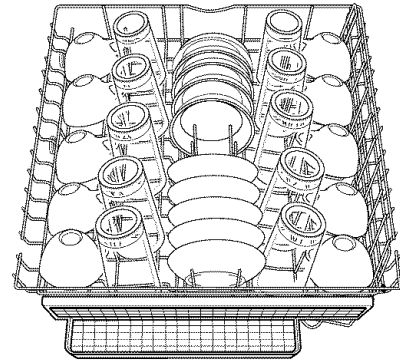
## Preparing to load your dishwasher

- Load correctly for best washing results. Incorrect loading may cause poor washing and the need to rewash all or part of the load.
- Wash full loads. Running a half-filled dishwasher uses the same amount of electricity and hot water as a fully loaded machine.
- To save water and energy, do not rinse dishes before putting them into the dishwasher.
- Remove large pieces of food, fruit pits, bones, and other hard items. The ULTRA WASH\* module will remove food particles from the water. The module contains a chopping device which will reduce the size of food items.  
**NOTE:** If hard items such as fruit seeds, nuts, and egg shells enter the ULTRA WASH module, you might hear chopping, grinding, crunching, or buzzing sounds. Those sounds are normal when hard items enter the module. **Do not** let metallic items (such as pot handle screws) get into the ULTRA WASH module. They could damage the ULTRA WASH module.
- Foods like eggs, rice, pasta, spinach, and cooked cereals may be hard to remove if they are left to dry over a period of time. Run a Quick Rinse cycle to keep dishes moist if you do not plan to wash them soon.
- Load dishes so soiled surfaces face the rotating spray arms.
- Load dishes so they are not stacked or overlapping, if possible. It is important for the water spray to reach all soiled surfaces for best washing. For best drying, water must be able to drain from all surfaces.

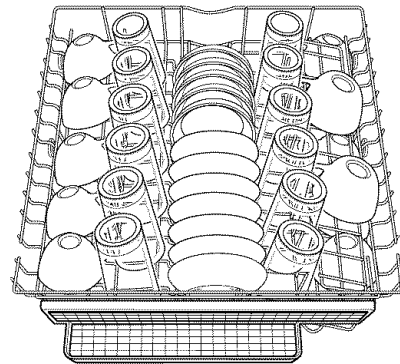
## Loading the top rack

The top rack is designed for cups, glasses, and smaller items. (See recommended loading patterns below.)

**NOTE:** The features on your dishwasher rack may vary from the drawings below.



10 place setting



12 place setting

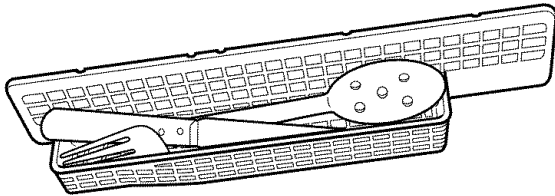
- Place items so open ends face down for cleaning and draining.
- Load glasses in top rack only – bottom rack is not designed for glasses. Damage may occur.
- Place cups and glasses in the rows between prongs. Placing them over the prongs can lead to breakage.
- Secure lightweight items.
- China, crystal, and other delicate items must not touch each other during dishwasher operation. Damage may occur.
- Load plastic items in the top rack only. Only plastic items marked “dishwasher safe” are recommended.
- Load plastic items so the force of the spray does not move them during the cycle.
- To avoid chipping, do not let stemware touch other items.
- Small bowls, pans, and other utensils can be placed in the top rack.



## Loading the top rack (cont.)

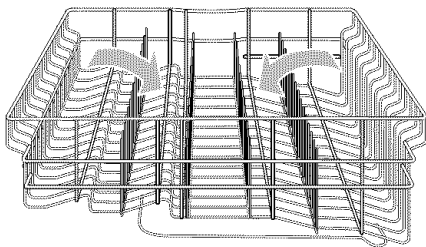
### Utensil basket

Use this extra capacity basket on the top rack to hold spatulas, wooden spoons, and similar items.



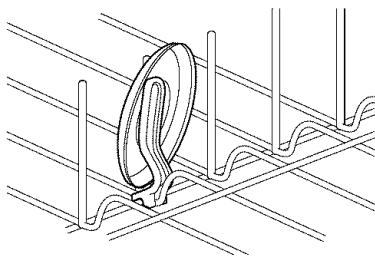
### Fold-down tines

Fold the tines in the top rack all the way down to accommodate larger items.



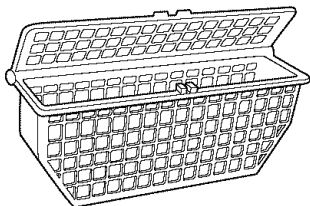
### No-Flip\* clip(s)

Use the NO-FLIP clip(s) to hold small, lightweight items in place during the cycle.



### Small items basket (on some models)

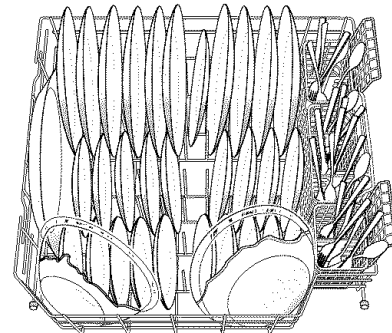
This basket fits in the top rack. Use it to hold small items that could otherwise “fly” around inside the dishwasher during a cycle.



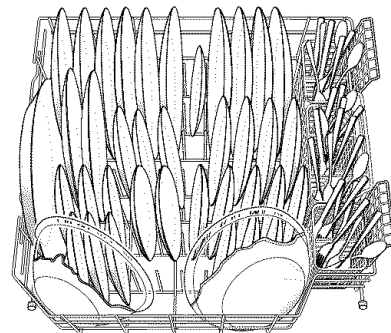
## Loading the bottom rack

Items with cooked-on or dried-on food should be loaded in the bottom rack, with soiled surfaces facing inward to the spray. (See recommended loading patterns below.)

**NOTE:** The features on your dishwasher rack may vary from the drawings below.



10 Place setting

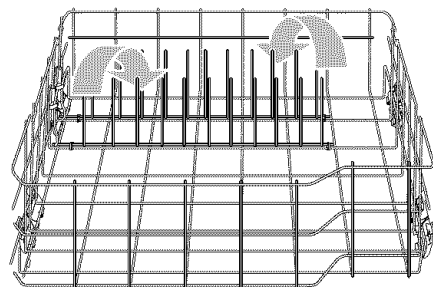


12 Place setting

- Do not load glasses, cups, or plastic items in the bottom rack.
- Load plates, soup bowls, etc., between prongs and facing inward to the spray.
- Overlap edges of plates for large loads.
- Secure heavily soiled cookware face down in the rack.
- Make sure pot handles and other items do not stop rotation of the upper or lower spray arm. The spray arms must move freely.

### Fold-down dividers

Fold-down dividers at the back of the rack can be lowered to make room for deep bowls, roasters, and other large items.

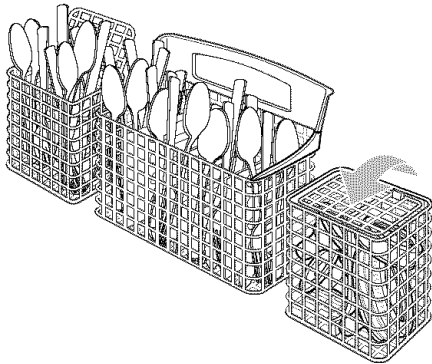


## Loading the silverware basket

- Load the silverware basket while it is in the bottom rack or take the basket out for loading on a counter or table.

**NOTE:** You can remove the basket for easy unloading. Always unload or remove the basket before unloading the racks to avoid spilling water droplets on the silverware.

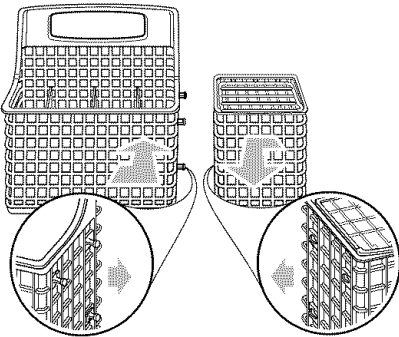
- Place small items (baby bottle caps, jar lids, etc.) in a section with a hinged cover. Close the cover over the section to hold small items in place.



- You can separate the two small baskets from the large basket and position the small baskets elsewhere in the upper or lower rack.

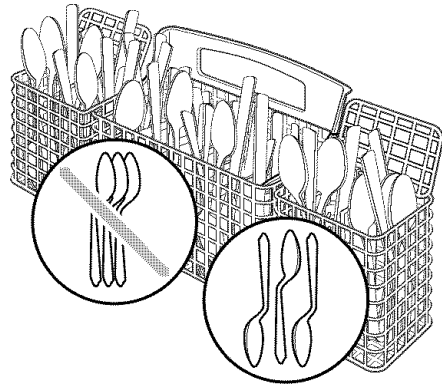
### To remove a small basket:

1. Hold the center basket with one hand, and one of the small baskets with the other hand.
2. Slide the small basket to release tabs from corresponding slots.
3. Pull baskets apart.



- Mix items in each section of the basket with some pointing up and some down to avoid nesting. Spray cannot reach nested items.

**IMPORTANT:** Always load sharp items (knives, skewers, forks, etc.) pointing down.



## Quiet operating tips

### To avoid thumping/clattering noises during operation:

- Make sure lightweight load items are secured in the racks.
- Make sure pot lids and handles, pizza pans, cookie sheets, etc., do not touch interior walls or interfere with the spray arm's rotation.
- Load dishes so they do not touch one another.

**NOTE:** Keep sink drain plugs closed during dishwasher operation to prevent noise transfer through drains.

# Your Part in Cleaning Dishes

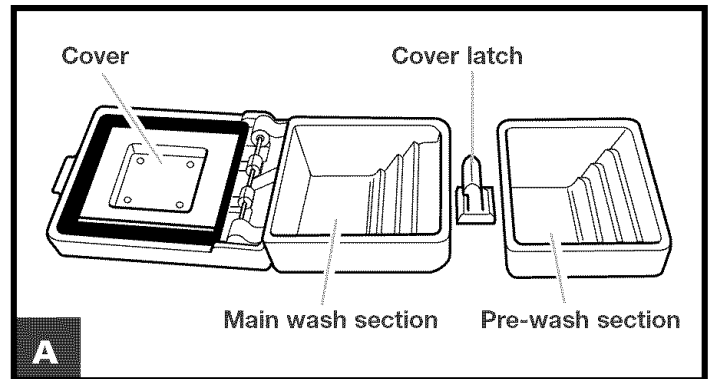
## Using the detergent dispenser

- Use automatic dishwashing detergent only. Other detergents are too mild and much too sudsy.
- Add detergent just before starting cycle.
- Store tightly closed detergent in a cool, dry place.  
**Fresh automatic dishwasher detergent results in better cleaning.**

### Filling the detergent dispenser

The detergent dispenser **A** has one section with a cover and one without. Push the cover down firmly until it latches. Detergent in the open section falls into the dishwasher when closing the door. The covered section opens automatically for the main wash. It is normal for the cover to open partially when dispensing detergent.

**NOTE:** Use both sections for cycles with two washes. Use only the covered section for cycles with one wash. See the cycles chart for more details.



## How much detergent to use

- The amount of detergent to use depends on the hardness of your water and the type of detergent. If you use too little, dishes won't be clean. If you use too much in soft water, glassware will etch.
- Find out your water's hardness by asking the water softener department in your local Sears store or your local water department.

Water Hardness	Amount of Detergent
<b>Soft to Medium Hard Water</b> 0 to 6 grains per gallon	<b>For normal loads:</b> <ul style="list-style-type: none"> <li>• Partially fill the Main Wash section (2 tablespoons or 30 grams)</li> <li>• Fill the Pre-Wash section (2 tablespoons or 30 grams)</li> </ul> <p><b>NOTE:</b> Add only 1 tablespoon or 15 grams of detergent to the Pre-Wash section if dishes are prerinsed or water is very soft.</p> <b>For heavily soiled loads:</b> <ul style="list-style-type: none"> <li>• Fill the Main Wash section (3 tablespoons or 45 grams)</li> <li>• Fill the Pre-Wash section (2 tablespoons or 30 grams)</li> </ul>
<b>Medium to Hard Water</b> 7 to 12 grains per gallon	<b>For normal and heavily soiled loads:</b> <ul style="list-style-type: none"> <li>• Fill the Main Wash section (3 tablespoons or 45 grams)</li> <li>• Fill the Pre-Wash section (2 tablespoons or 30 grams)</li> </ul>

**NOTE:** Fill amounts shown are for standard powdered detergent. Amounts may vary if you use liquid or concentrated powdered detergent. Follow instructions on the package when using liquid dishwasher detergent or concentrated powdered detergent.

## Using the rinse agent dispenser

A rinse agent greatly improves dish drying and helps prevent spots or streaks. The rinse agent helps water flow off dishes and keeps water from forming droplets. A small amount of rinse agent automatically releases into the final rinse water.

**Keep the rinse agent dispenser filled with a liquid rinse agent.** For best drying results, periodically check the dispenser as follows to see if it needs filling:

- Check center of rinse aid indicator cap **A** . Clear means it needs filling.

OR

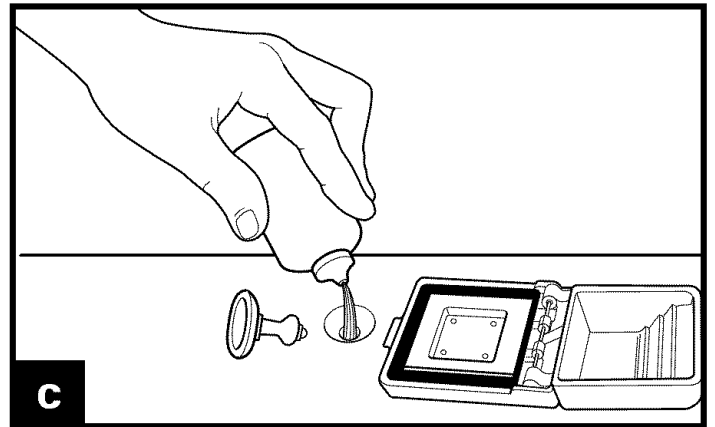
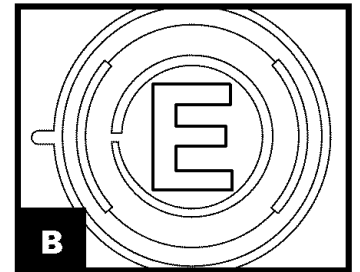
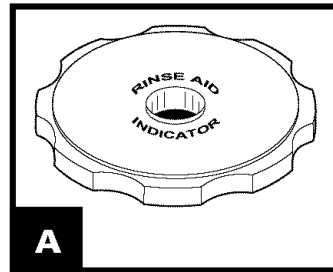
- Remove rinse aid indicator cap. An “E” is visible at the bottom of the dispenser when empty **B** .

**To fill dispenser:**

1. Open dishwasher door completely.
2. Remove rinse aid indicator cap.
3. Add rinse agent **C** . Fill only to smallest opening in lower part of dispenser. Overfilling may cause rinse agent to leak out. This will not harm the dishwasher, but could cause oversudsing.
4. Clean up any spilled rinse agent with a damp cloth.
5. Replace rinse aid indicator cap. Keep it closed tightly.

**NOTES:**

- Your dishwasher is designed to use a liquid rinse agent. Do not use a solid or bar-type rinse agent.
- The rinse agent dispenser holds 6 ounces (175 mL). Under normal conditions, this lasts about 3 months.
- You do not have to wait until the dispenser is empty before refilling, but do not overfill it.



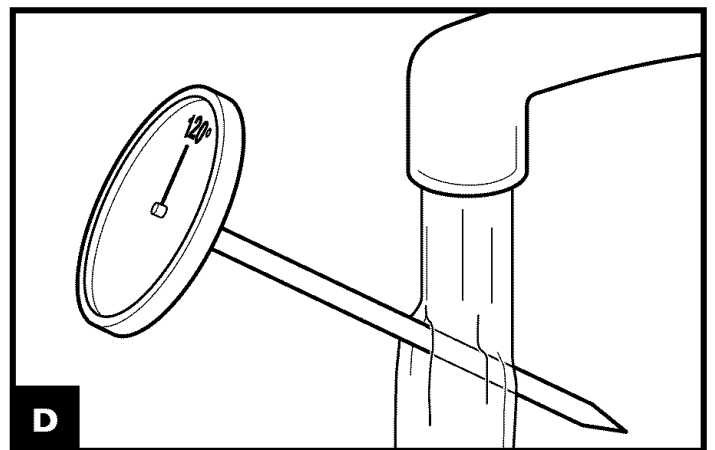
## Water temperature tips

Hot water dissolves and activates the dishwashing detergent. Hot water also dissolves grease on dishes and helps dry glasses spot-free. For best dishwashing results, water must be at least 120°F (49°C) as it enters the dishwasher. Loads may not wash as well if the water temperature is too low.

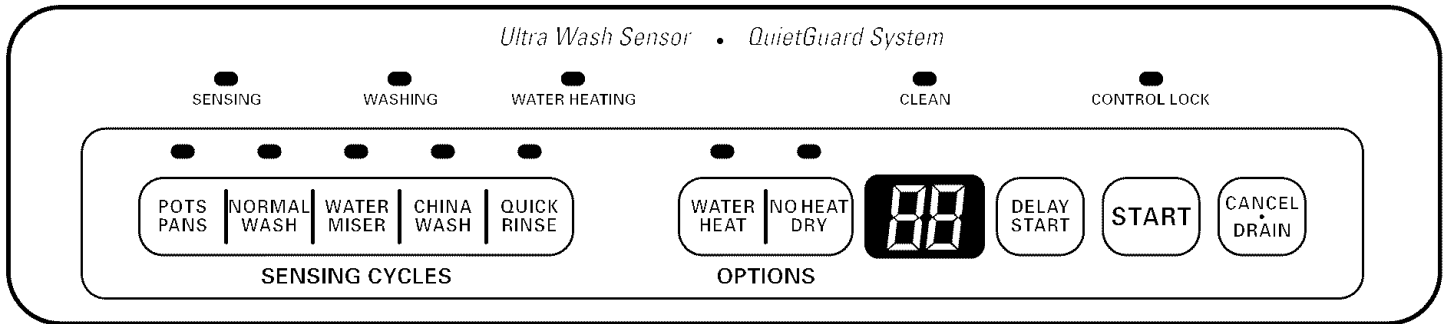
**NOTE:** Use the Water Heat option on your dishwasher if you keep your water heater at a low setting. The time showing on the electronic display pauses while water is heating. For more information, see “Dishwasher seems to run too long” in the “Troubleshooting Guide” section.

**To check water temperature:**

1. Run hot water at the faucet closest to your dishwasher for at least 1 minute.
2. Measure the water temperature with a candy or meat thermometer placed in the running stream of water **D** .
3. If the water temperature at the faucet is below 120°F (49°C), have a qualified person raise the water heater’s thermostat setting.



# Cycles



A "\*" shows what each cycle includes.

CYCLE	Soil Level Detected By Ultra Wash Sensor	Wash	Rinse	Main Wash	Rinse	Final Heated Rinse	Dry	Cycle Time† (min.)	Water Usage (gallons [U.S.]/liters)	Detergent Dispenser Sections
<b>POTS/PANS</b> 	Heavy	*	*	140°F 60°C	*	140°F 60°C	*	97 <sup>†</sup>	10.8/40.9	 Use Both Sections
	Light	*		140°F 60°C	*	140°F 60°C	*	87 <sup>†</sup>	8.6/32.7	

For cleaning dishes, and pots and pans with cooked-on or baked-on foods.

<b>NORMAL WASH</b> 	Heavy	*	*	140°F 60°C	*	140°F 60°C	*	90 <sup>†</sup>	10.8/40.9	 Use Both Sections
	Medium	*		140°F 60°C	*	140°F 60°C	*	86 <sup>†</sup>	8.6/32.7	
	Light				*	140°F 60°C	*	70 <sup>†</sup>	6.5/24.5	

For everyday heavily soiled dishes. (The Energy Guide label is based on this cycle.)

- Selecting the Water Heat option ensures water is heated to 140°F (60°C) in main wash for any soil level detected.

<b>WATER MISER</b> 	Heavy		*	140°F 60°C	*	140°F 60°C	*	78 <sup>†</sup>	8.6/32.7	 Use Covered Section
	Light				*	140°F 60°C	*	64 <sup>†</sup>	4.6/17.4	

For prerinsed and lightly soiled dishes. Saves energy by using less hot water than Normal Wash cycle.

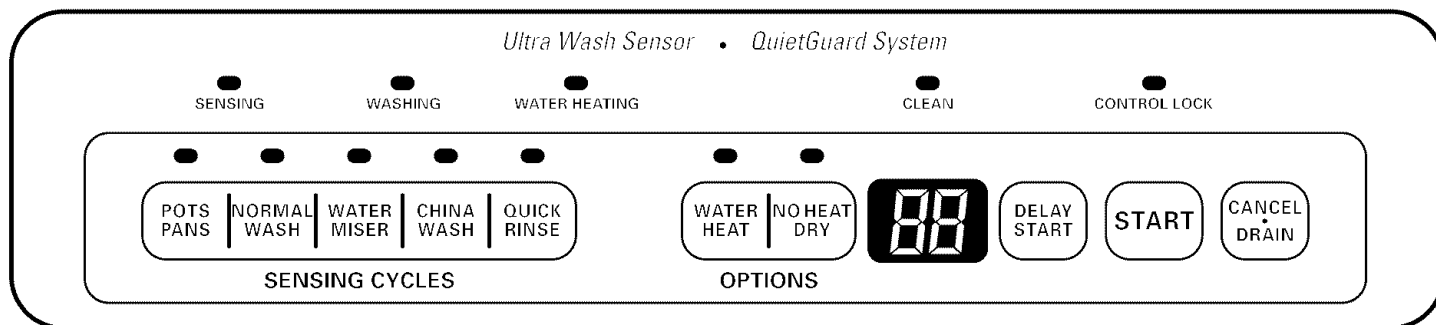
- Selecting the Water Heat option ensures water is heated to 140°F (60°C) in main wash for any soil level detected.

† Cycle time includes dry time and may be longer depending on the temperature of water entering the dishwasher. The cooler the water, the longer the cycle time. If the water is already hot enough, the cycle times will be as shown.


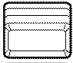


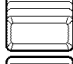
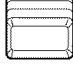
The electronic time display pauses while water is being heated and Water Heating status indicator glows while water is being heated to the temperature shown.

**NOTE:** You can add a dirty dish if the Washing status indicator is on. Opening the door will not affect the sensor.

# Cycles (cont.)



A "\*" shows what each cycle includes.

CYCLE	Soil Level Detected By Ultra Wash Sensor	Wash	Rinse	Main Wash	Rinse	Final Heated Rinse	Dry	Cycle Time† (min.)	Water Usage (gallons [U.S.]/liters)	Detergent Dispenser Sections
<b>CHINA WASH</b> 	Heavy		*	*	*	130°F 54°C	Cycled	74†	8.6/32.7	
	Light			*	*	130°F 54°C	Cycled	64†	4.6/17.4	 Use Covered Section
<b>QUICK RINSE</b> 	Heavy		*		*			14	4.3/16.4	
	Light				*			10	2.2/8.2	 No Detergent Needed

A light wash and gentle dry for china and crystal. During heated dry, the heating element cycles on and off during that portion of the cycle.

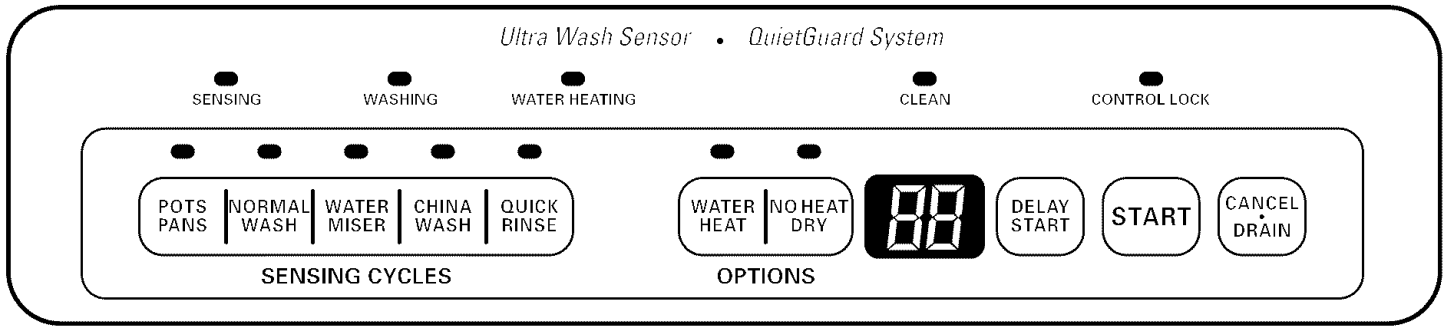
For rinsing dishes that will be washed later.

† Cycle time includes dry time and may be longer depending on the temperature of water entering the dishwasher. The cooler the water, the longer the cycle time. If the water is already hot enough, the cycle times will be as shown.

The electronic time display pauses while water is being heated and Water Heating status indicator glows while water is being heated to the temperature shown.

**NOTE:** You can add a dirty dish if the Washing status indicator is on. Opening the door will not affect the sensor.

# Options



Option	When should I use it?	What does it do?
<b>Water Heat</b> <ul style="list-style-type: none"> <li>• Automatic with Pots/Pans</li> <li>• Option for Normal Wash and Water Miser cycles</li> <li>• Not available for China Wash or Quick Rinse cycles</li> </ul>	<p>To ensure water temperature in Main Wash reaches 140°F (60°C).</p>	<ul style="list-style-type: none"> <li>• When you select Water Heat, main wash delays until water heats to 140°F (60°C).</li> <li>• As water heats, washing action continues. Water Heating status indicator glows and electronic time display pauses until water reaches proper temperature.</li> </ul>
<b>No Heat Dry</b> <ul style="list-style-type: none"> <li>• Option for Pots/Pans, Normal Wash, Water Miser and China Wash cycles</li> </ul>	<p>Use when you do not need a rapid dry cycle. Allow longer drying times (overnight). Use rinse agent to improve drying.</p>	<ul style="list-style-type: none"> <li>• Turns off heating element in 30-minute dry period.</li> </ul>
<b>Delay Start</b> <ul style="list-style-type: none"> <li>• Option for any cycle</li> </ul>	<p>Use when you want to start a cycle later.</p> <p>Set delay to run dishwasher during times when off-peak utility rates are in effect or when you are away from home. Local utilities recommend this to avoid heavy usage of energy at certain times of day.</p>	<ul style="list-style-type: none"> <li>• Delay beginning of your selected cycle and options in one hour increments up to nine hours.</li> <li>• To set:               <ol style="list-style-type: none"> <li>1. Press cycle and options.</li> <li>2. Press Delay Start. Increase delay one hour for each press of Delay Start pad. Total delay time appears on electronic time display.</li> <li>3. Press Start. Once Start is pressed, delay begins. Delay time displayed on control panel flashes once. Cycle and options begin as soon as delay time expires. If Start is not pressed within 30 seconds of final selection, you need to re-select your cycle, options and delay settings.</li> </ol> </li> <li>• You can change cycle and option selections any time during delay period. You can also eliminate the delay by pressing Start any time. The dishwasher will start immediately.</li> </ul>

## Special features

### Start Button Memory

- To use the last full cycle and options completed, press Start.
- If you do not run your dishwasher daily, close door to maintain memory.
- If power is off or door is open for an extended period of time, the Start button memory will default to the Normal cycle with Heat Dry.

### To change a cycle

- Press Cancel•Drain. Wait for the 2-minute drain to complete. Reset the dishwasher for desired cycle and options. (Remember to add detergent if dishwasher has already gone through the wash portion of the original cycle.)

#### OR

- You can change the cycle and options any time during the first 2 minutes of a cycle (while water is entering dishwasher) without pressing Cancel•Drain.

### To cancel a cycle

- Press Cancel•Drain. Wait for the 2-minute drain to complete.

### Control Lock

- Prevent accidental cycle selections by “locking” controls.
- To lock controls: Press and hold No Heat Dry for 4 seconds. The Control Lock status indicator glows when controls are locked.
- To unlock controls: Press and hold No Heat Dry for 4 seconds. The Control Lock status indicator will flash and turn off.
- If you try to set the cycles or options when the controls are locked, Control Lock status indicator flashes so you know the cycles or options cannot be selected until the controls are unlocked.

## Caring for Your Dishwasher

Refer to the “troubleshooting Guide” section for special cleaning problems.

## Cleaning your dishwasher

### Cleaning the exterior

In most cases, regular use of a soft, damp cloth or sponge and a mild detergent is all that is necessary to keep the outside of your dishwasher looking nice and clean **A**.

### Cleaning the interior

Hard water minerals may cause a white film to build up on the inside surfaces, especially just beneath the door area.

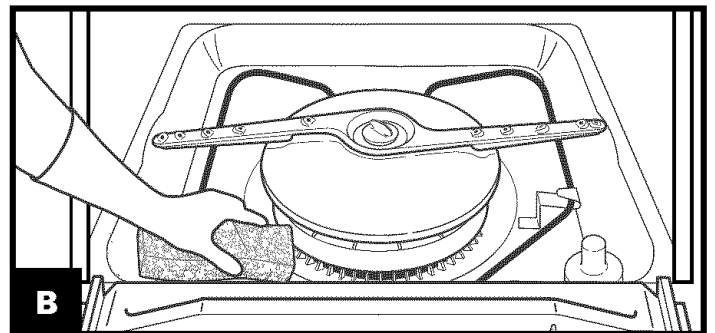
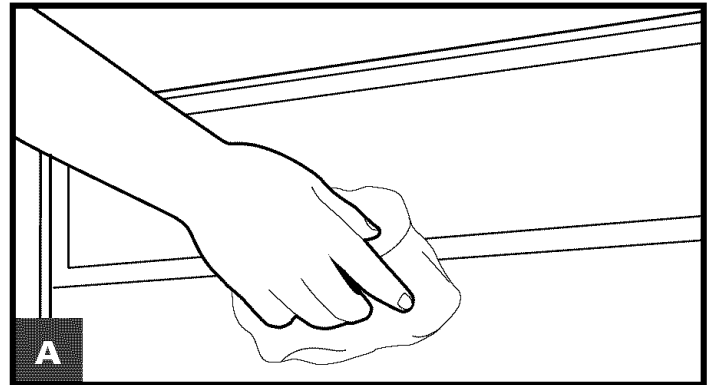
#### To clean interior:

- Apply powdered dishwasher detergent to a damp sponge to make a paste.

#### OR

- Use liquid automatic dishwasher detergent and clean with damp sponge **B**.

**Do not** clean the dishwasher interior until it has cooled. Wear rubber gloves. **Do not** use any type of cleanser other than dishwasher detergent because it may cause foaming or sudsing.





# Storing your dishwasher

## Moving or winterizing your dishwasher

Protect your dishwasher and home against water damage due to freezing water lines. If your dishwasher is left in a seasonal dwelling or could be exposed to near freezing temperatures, have a qualified person do the following:

1. Disconnect power supply to the dishwasher.
2. Turn off water supply to the dishwasher.
3. Remove the 4 screws on the lower access panel and remove the lower access panel **A**.
4. Place a shallow pan under the water supply valve. Then, use a wrench to disconnect the water inlet from the water supply valve. Separate the water inlet from the water supply valve and drain water into the pan **B**.
5. Remove the spring clamp from the water outlet and separate from the water supply valve; drain water into pan.
6. Reconnect both water inlet and water outlet to the water supply valve.
7. Empty the pan and reposition it under the water pump.
8. Remove the clamp and disconnect the drain hose from the water pump; drain water into pan.
9. Reconnect drain hose to the water pump, being sure to position the clamp over the connection.
10. Replace the lower access panel.

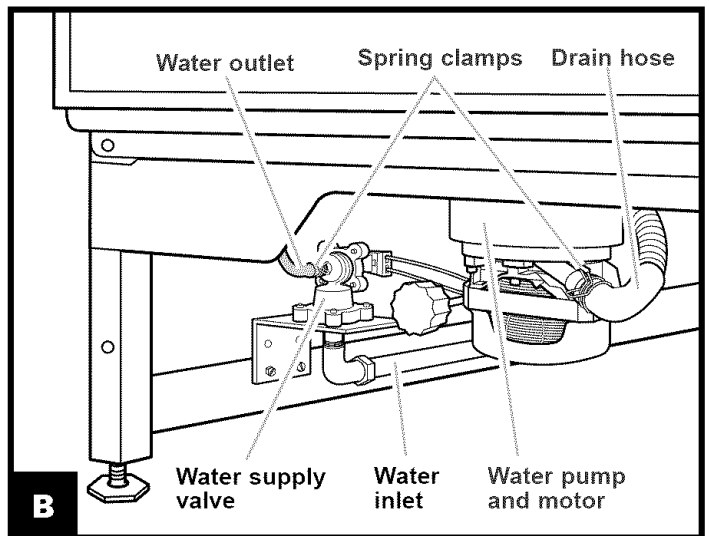
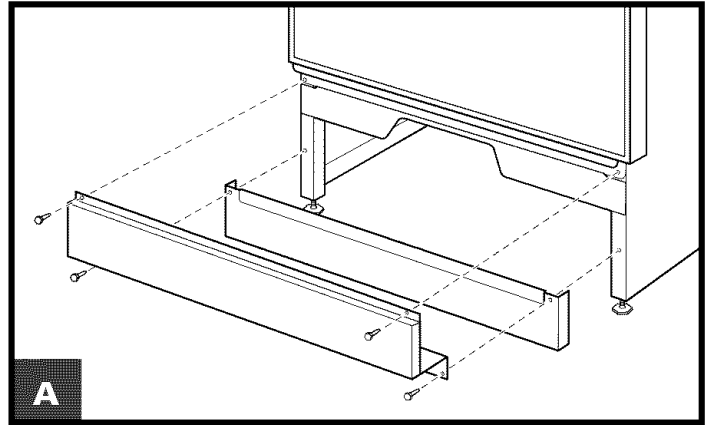
## Reconnecting your dishwasher

1. Remove the 4 screws on the lower access panel and remove lower access panel.
2. Turn on the water supply to dishwasher.
3. Turn on power supply to dishwasher.
4. Run dishwasher through a complete cycle and check for leaks.
5. Replace lower access panel.

**NOTE:** If your dishwasher is connected to a garbage disposal, do not run water into the sink after winterizing. This could cause water to refill the drain hose on your dishwasher.

## Storing for the summer

Protect your dishwasher during the summer months by turning off the water supply and power supply to the dishwasher.



## Tips for washing special items

If you have any doubts about washing a particular item, check with the manufacturer to see if it is dishwasher safe.		
MATERIAL	DISHWASHER SAFE?	EXCEPTIONS/SPECIAL INFORMATION
Aluminum	Yes	High water temperature and detergents may affect finish of anodized aluminum.
Bottles and Cans	No	Wash bottles and cans by hand. Labels attached with glue can loosen in your dishwasher. Loose labels and glue can clog spray arms or the pump and will reduce washing performance.
Cast Iron	No	Seasoning will be removed and iron will rust.
China/Stoneware	Yes	Always check manufacturer's recommendations before washing. Antique, hand-painted, or over-the-glaze patterns may fade. Gold leaf may discolor or fade.
Crystal	Yes	Always check manufacturer's recommendations before washing. Some types of leaded crystal may etch with repeated washings.
Gold	No	Gold-colored flatware will discolor.
Glass	Yes	Milk glass will yellow with repeated dishwasher washing.
Hollow-Handle Knives	No	Handles of some knives are attached to the blade with adhesives which may loosen if washed in the dishwasher.
Pewter	No	High water temperatures and detergent may discolor or pit finish.
Disposable Plastics	No	Cannot withstand high water temperatures and detergents.
Plastics	Yes	Always check manufacturer's recommendations before washing. Plastics vary in their capacity to withstand high water temperatures and detergents. Load plastics in top rack only.
Stainless Steel	Yes	Run a Quick Rinse cycle if not washing immediately. Prolonged contact with food containing salt, vinegar, milk products, or fruit juice could damage finish.
Sterling Silver or Silver Plate	Yes	Run a Quick Rinse cycle if not washing immediately. Prolonged contact with food containing salt, acid, or sulfide (eggs, mayonnaise, and seafood) could damage finish.
Tin	No	Can rust.
Wooden Ware	No	Wash by hand. Always check manufacturer's recommendations before washing. Untreated wood may warp, crack, or lose its finish.

# Troubleshooting Guide

## Dishwasher is not operating properly

PROBLEM ...	CAUSE ...	SOLUTION ...
<b>Dishwasher does not run or stops during a cycle</b>	Door not closed	Make sure door is closed and securely latched.
	Wrong cycle selected	Refer to the "Cycles" section, page 12.
	No or improper power supplied to dishwasher	Check to see if household fuse or circuit breaker is blown or tripped.
	Motor stopped due to overload	Motor will automatically reset itself within a few minutes. If it does not restart, call for service.
<b>Dishwasher will not fill</b>	No water supplied to dishwasher	Check to see if shut-off valve (if installed) is turned on.
	Overfill protector stuck	Check to see if the overfill protector moves up and down freely. Press down to release.
<b>Dishwasher seems to run too long</b>	Water supplied to dishwasher is not hot enough	<p>It is normal for the dishwasher to run longer while heating water. Refer to the "Water temperature tips" section, page 11.</p> <ul style="list-style-type: none"> <li>• A delay will occur in the main wash if the Water Heat option is selected.</li> <li>• Three delays will occur if the Pots/Pans cycle is selected.</li> <li>• The final rinse will automatically delay until the water temperature reaches 135°F (57°C).</li> </ul>
<b>Water remains in dishwasher</b>	Cycle not finished	Wait for the cycle to complete.
<b>Detergent remains in covered section of dispenser</b>	Cycle not finished	Wait for the cycle to complete.
	Detergent has lumps	Replace with dry, lump-free detergent.
	Bottom rack in backwards	Refer to the "Parts and Features" section, page 3 and reinstall rack if necessary.
<b>White residue appears on front of access panel</b>	Too much detergent was used	Refer to the "Using the detergent dispenser" section, page 10.
	Brand of detergent developing excess foam	Try a different brand to reduce foaming and eliminate buildup.
<b>Odor in the dishwasher</b>	Dishes only washed every 2-3 days	Run a Quick Rinse cycle at least once or twice a day until full load is accumulated.
	Plastic smell of new dishwasher	Run a vinegar rinse, as described on the next page.
<b>Condensation on kitchen counter</b>	Excessive moisture from vent in dishwasher console	Dishwasher console should be aligned with countertop. Refer to Installation Instructions for more information.

## Dishes are not cleaned completely

<b>Food soil left on dishes</b>	Improper loading	Refer to the "Loading Your Dishwasher" section, pages 7-9.
	Water temperature is too low	Use the Water Heat option. If needed, turn home water heater up to ensure water entering dishwasher is 120°F (49°C) minimum. Refer to the "Water temperature tips" section, page 11.
	Use of incorrect, too little, or ineffective detergent	Use recommended dishwasher detergents only. Refer to the "Using the detergent dispenser" section, page 10. Never use less than one tablespoon per load. Detergent must be fresh to be effective. Always store detergent in a cool, dry area.

# Troubleshooting Guide (cont.)

## Dishes are not cleaned completely (cont.)

PROBLEM ...	CAUSE ...	SOLUTION ...
Food soil left on dishes (cont.)	Detergent cakes in dispenser	Use fresh detergent only. Do not allow detergent to sit for several hours in a wet dispenser. Check dispenser for caked detergent. Clean dispenser when caked detergent is present.
	Pump or spray arm clogged by labels from bottles and cans	Remove labels before washing bottles and cans or wash by hand. Refer to the "Tips for washing special items" section, page 17.
	Insufficient fill caused by low water pressure	Home water pressure should be 20 to 120 psi (138-828 kPa) for proper dishwasher fill. A booster pump on the water supply may be necessary if pressure is too low.
	Slowdown of wash arm due to high suds	Never use soap or laundry detergents. Use recommended dishwasher detergents only.

## Spots or stains on dishes

Spotting and filming	Hard water or high mineral content in water	Conditioning the final rinse water with a liquid rinse agent helps eliminate spotting and filming. Keep the dispenser full with a rinse agent at all times.
	Water temperature is too low	Use the Water Heat option. If needed, turn home water heater up to ensure water entering dishwasher is 120°F (49°C) minimum. Refer to the "Water temperature tips" section page 11.
	Use of incorrect detergents	Use recommended dishwasher detergents only.
	Incorrect amount of detergent	Refer to the "Using the detergent dispenser" section, page 10. Heavy soil and/or hard water generally require extra detergent.
	Use of ineffective detergents	Detergent should be fresh. Store in a cool, dry place, preferably in an airtight container. Discard lumpy detergent.
Insufficient fill caused by low water pressure	Home water pressure should be 20 to 120 psi (138-828 kPa) for proper dishwasher fill. A booster pump on the water supply may be necessary if pressure is too low.	
		<p><b>NOTE:</b> To remove spots and film from dishes, try a <b>vinegar rinse</b>.</p> <ol style="list-style-type: none"> <li>1. Wash and rinse as usual using the No Heat Dry option.</li> <li>2. Remove all metal items.</li> <li>3. Put 2 cups (500 mL) white vinegar in a container on the bottom rack.</li> <li>4. Run dishwasher through complete washing cycle. Vinegar will mix with wash water.</li> </ol>
Silica film or etching (silica film is a milky white, rainbow-colored deposit; etching is a cloudy film)	A water chemical reaction with certain types of glassware. Usually caused by some combination of soft or softened water, alkaline washing solutions, insufficient rinsing, overloading the dishwasher, and heat of drying.	It may not be possible to prevent problem, except by hand washing. To slow this process, use a minimum amount of detergent but not less than 1 tablespoon per load. Use a liquid rinse agent and underload the dishwasher to allow thorough rinsing. Silica film and etching are permanent and cannot be removed. Use the No Heat Dry option.

# Troubleshooting Guide (cont.)

## Spots or stains on dishes (cont.)

PROBLEM ...	CAUSE ...	SOLUTION ...
White spots on cookware with non-stick finish	Seasoning removed by dishwasher detergents	Reseason cookware after dishwasher washing.
Brown stains on dishes and dishwasher interior	High iron content in water supply	Remove by washing dishes (after food soil has been removed) with 1 teaspoon to 1 tablespoon of citric acid crystals added to covered section of detergent dispenser. Do not use detergent. Follow with a Normal Wash cycle with detergent. If treatment is needed more often than every other month, the installation of an iron removal unit is recommended.
Black or gray marks on dishes	Aluminum items	Aluminum items should be loaded so that they will not rub against dishes during washing. Throwaway aluminum items should not be washed in the dishwasher because they may break down and cause marking. Aluminum markings can be removed by using a mild abrasive cleanser.
Orange stains on plastic dishes or dishwasher interior	Large amounts of tomato-based foods in dishes placed in the dishwasher	Stains may gradually fade over time. Regular use of heated drying may cause stains to fade slower. Stains will not affect dishwasher performance. Regular use of Quick Rinse cycle or No Heat Dry option will reduce the likelihood of staining.

## Dishes do not dry completely

Dishes are not dry	Dishes do not drain properly	Dishes must have proper water drainage. Do not overload. Refer to the "Loading Your Dishwasher" section, pages 7-9. Use a liquid rinse agent to speed drying.
	Plastics	Some plastics, due to material, may need to be towel dried.
	Rinse agent dispenser is empty	Refer to the "Using the rinse agent dispenser" section, page 11.
	No Heat Dry option was used	Do not use the No Heat Dry option.

## Dishes are damaged during cycle

Chipping of dishes	Improper loading	Load dishes and glasses so that they are stable and do not strike together from washing action. Moving rack in and out slowly will also minimize chipping. <b>NOTE:</b> Some types of china and glassware are too delicate for automatic dishwashing and should be hand washed; for example: antiques, feather-edged crystal, and similar types.
--------------------	------------------	---

## Noises

Grinding, grating, crunching, or buzzing sounds	Hard object entered the Ultra Wash module	Sound should stop when object is ground up.
---	---	---

# We Service What We Sell

“We Service What We Sell” is our assurance that you can depend on Sears for service. Your dishwasher has added value when you consider that Sears has service units nationwide, staffed with professional technicians specifically trained on Sears appliances and having the parts, tools, and equipment to ensure that we meet our pledge to you ... “We Service What We Sell.”

## **Sears Maintenance Agreement**

Maintain the value of your KENMORE Dishwasher with a Sears Maintenance Agreement. Sears dishwashers are designed, manufactured, and tested for years of dependable operation. Yet, any modern appliance may require service from time to time.

### **The Sears Maintenance Agreement:**

- Is your way to buy tomorrow’s service at today’s prices.
- Eliminates repair bills resulting from normal use.
- Allows for as many service calls as required.
- Provides for service by professional Sears Trained Technicians.
- Even if you don’t need repairs, the Maintenance Agreement offers an annual preventative maintenance check-up at your request!

This Maintenance Agreement does not cover original installation, reinstallation, or damage resulting from external causes such as acts of abuse, theft, fire, flood, wind, lightning, freezing, power failure, power reduction, etc.

### **To customize your dishwasher, you can order:**

- Door and access panel accessories
- Custom wood panel trim accessories to match your dishwasher color

See back page of Installation Instructions that came with your dishwasher for further information.

# Notes

# Índice

	Página		Página
<b>Garantía del lavavajillas Sears</b> .....	1	<b>Su papel en la limpieza de los platos</b>	
<b>Seguridad del lavavajillas</b> .....	2	Cómo usar el depósito de detergente .....	10
<b>Partes y características</b> .....	3	Cuánto detergente debe usar.....	10
<b>El sistema de remoción de suciedad</b>		Cómo usar el depósito de agente de enjuague.....	11
<b>ULTRA WASH*</b> .....	4	Consejos sobre la temperatura del agua .....	12
<b>Guía de puesta en marcha</b>		Ciclos .....	13
Antes de usar su lavavajillas .....	5	Opciones.....	15
Cómo poner en marcha el lavavajillas		Características especiales .....	16
para lavar los platos de uso diario .....	6	<b>Cuidado del lavavajillas</b>	
<b>Cómo cargar el lavavajillas</b>		Limpieza del lavavajillas .....	16
Prepárese para cargar el lavavajillas .....	7	Cómo guardar el lavavajillas.....	17
Cómo cargar la canasta superior .....	7	Consejos para lavar artículos especiales .....	18
Cómo cargar la canasta inferior .....	8	<b>Diagnóstico y solución de problemas</b> .....	19
Cómo llenar la canastilla de los cubiertos .....	9	<b>Servimos lo que vendemos</b> .....	23
Consejos para el funcionamiento silencioso .....	9		

## Garantía del lavavajillas Sears

### **GARANTÍA COMPLETA POR UN AÑO SOBRE LOS LAVAVAJILLAS KENMORE ULTRA WASH\* DE LA SERIE 800**

Por un año a partir de la fecha de compra, habiéndose instalado y operado el lavavajillas de acuerdo con las instrucciones proporcionadas en el Manual del Propietario e Instrucciones para la Instalación, Sears reparará gratuitamente los defectos de materiales o de mano de obra.

### **GARANTÍA COMPLETA POR DOS AÑOS SOBRE LOS CONTROLES ELECTRÓNICOS Y LA PLACA DE ALIMENTACIÓN DE ENERGÍA**

Por dos años a partir de la fecha de compra, habiéndose instalado y operado el lavavajillas de acuerdo con las instrucciones proporcionadas en el Manual del Propietario e Instrucciones para la Instalación, Sears reparará o cambiará, gratuitamente, el módulo electrónico y la placa de alimentación de energía si tuvieran defectos de materiales o de mano de obra.

### **GARANTÍA COMPLETA DE POR VIDA CONTRA FUGAS EN LA TINA Y EL PANEL INTERIOR DE LA PUERTA EN MODELOS DE LAVAVAJILLAS CON TINA ULTRA LIFE\***

Por la vida del lavavajillas, de haber fugas en la tina de polipropileno o panel interior de la puerta causadas por rajaduras, astillamientos o peladuras, Sears reemplazará gratuitamente la tina o el panel interior de la puerta.

### **GARANTÍA LIMITADA POR DOS AÑOS SOBRE EL SISTEMA DE LAVADO ULTRA WASH\***

Después del primer año y hasta dos años a partir de la fecha de compra, habiéndose instalado y operado el lavavajillas de acuerdo con las instrucciones proporcionadas en el Manual del Propietario e Instrucciones para la Instalación, Sears suministrará gratuitamente refacciones para cualquier parte del sistema de lavado ULTRA WASH (motor, bomba, brazos rociadores, tubo de alimentación de agua ULTRAFLOW\*, empaquetaduras del motor y juntas de la bomba) que tuviera defectos de materiales o de mano de obra. El cliente asume la responsabilidad por cualquier costo de mano de obra relativa al reemplazo de estas refacciones.

Si el lavavajillas se empleara para algún otro uso que no fuera el doméstico familiar, la cobertura de la garantía que antecede sólo tiene 90 días de vigencia.

SE PUEDE OBTENER SERVICIO BAJO GARANTÍA PONIENDOSE EN CONTACTO CON EL CENTRO DE SERVICIO MÁS CERCANO EN LOS EE. UU. O EL CANADÁ. Esta garantía sólo tiene validez estando el producto en uso en los EE.UU. o el Canadá. Esta garantía le concede determinados derechos legales, y usted también podría tener otros derechos que varían de un estado a otro o de una provincia a otra.

Sears, Roebuck and Co.  
Dept. 817WA, Hoffman Estates, IL 60179

Sears Canadá, Inc.  
Toronto, Ontario, Canadá M5B 2B8

\* Indicación de marca registrada



# Seguridad del lavavajillas

## Su seguridad y la seguridad de los demás es muy importante.

Hemos incluido muchos mensajes importantes de seguridad en este manual y en su electrodoméstico. Lea y obedezca siempre todos los mensajes de seguridad.



Este es el símbolo de advertencia de seguridad.

Este símbolo le llama la atención sobre peligros que pueden ocasionar la muerte o una lesión a usted y a los demás.

Todos los mensajes de seguridad irán precedidos por el símbolo de advertencia de seguridad y la palabra "PELIGRO" o "ADVERTENCIA". Estas palabras significan:

**⚠ PELIGRO**

Si no sigue las instrucciones, usted morirá o sufrirá una lesión grave.

**⚠ ADVERTENCIA**

Si no sigue las instrucciones, usted puede morir o sufrir una lesión grave.

Todos los mensajes de seguridad identificarán el peligro, le informarán cómo reducir las posibilidades de sufrir una lesión y lo que puede suceder si no siguen las instrucciones.

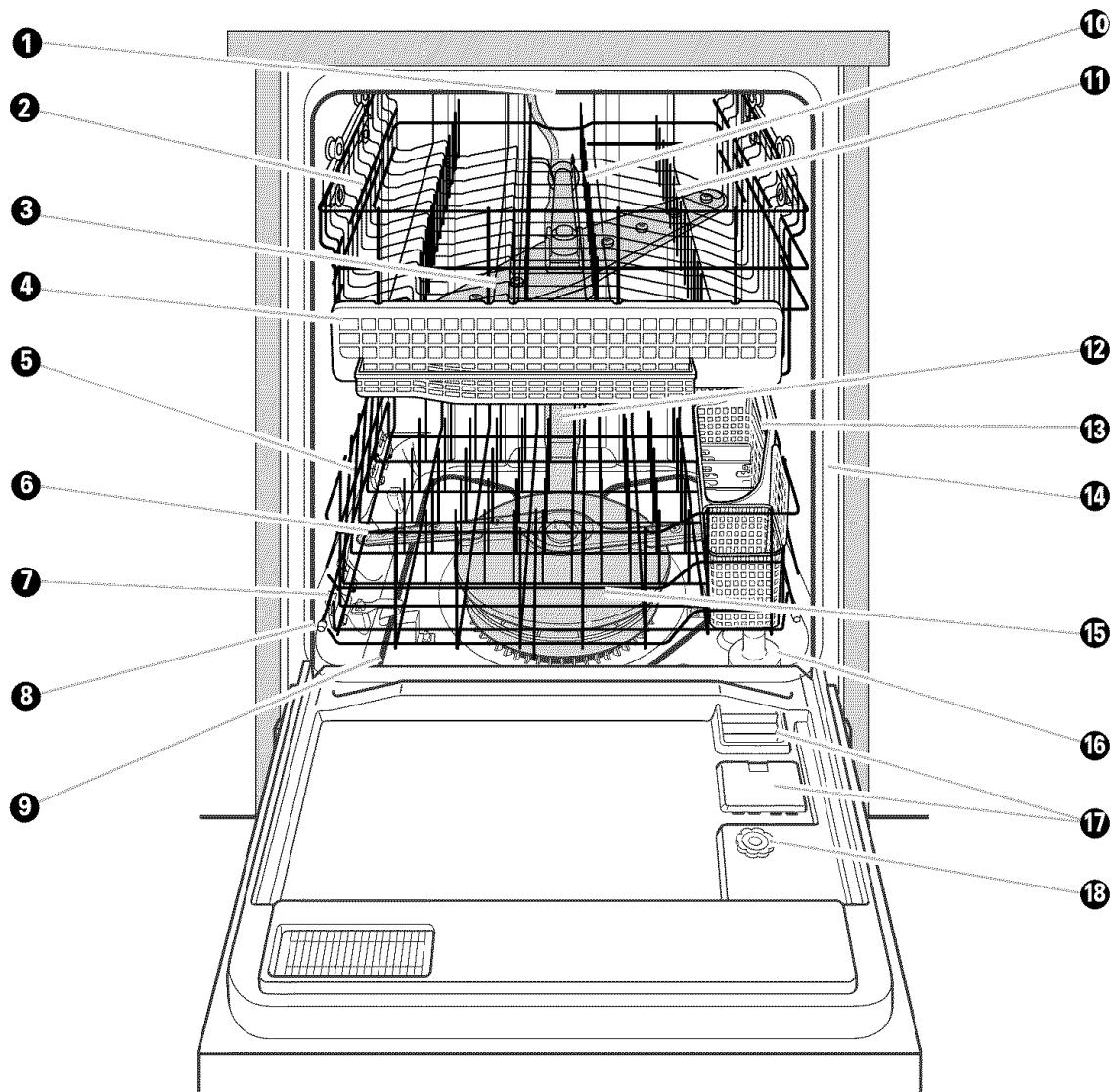
## INSTRUCCIONES IMPORTANTES DE SEGURIDAD

**ADVERTENCIA:** Cuando use el lavavajillas siga precauciones básicas, incluyendo las siguientes:

- Lea todas las instrucciones antes de usar el lavavajillas.
- Use el lavavajillas únicamente para las funciones que fué diseñado.
- Use únicamente detergentes o abrillantadores recomendados para ser usados en los lavavajillas y manténgalos fuera del alcance de los niños.
- Al introducir los artículos para lavar:
  - 1) Coloque los artículos puntiagudos de manera que no dañen el sello de la puerta; y
  - 2) Introduzca los cuchillos filosos con los mangos hacia arriba para reducir el riesgo de cortaduras.
- No lave artículos de plástico que no lleven la indicación "lavables en el lavavajillas" u otra similar. Lea las recomendaciones del fabricante para los artículos de plástico que no lleven tal indicación.
- No toque el elemento de calefacción durante o inmediatamente después de usar el lavavajillas.
- No haga funcionar el lavavajillas a menos que todos los paneles estén colocados debidamente en su lugar.
- No juegue con los controles.
- No abuse, ni se siente ni se ponga de pie en la puerta o en la canasta del lavavajillas.
- Para reducir el riesgo de lesión, no permita que los niños jueguen dentro ni sobre el lavavajillas.
- Bajo ciertas condiciones, un sistema de agua caliente que no ha sido usado por dos semanas o más puede producir gas hidrógeno. **EL GAS HIDRÓGENO ES EXPLOSIVO.** Si el sistema de agua caliente no ha sido usado por ese período, abra todas las llaves de agua caliente y deje que corra el agua por varios minutos antes de usar el lavavajillas. Esto permitirá que los gases acumulados escapen. Debido a que el gas es inflamable, no fume ni encienda ninguna llama cerca de la llave durante este tiempo.
- Quite la puerta del compartimiento de lavado cuando deje de usar para siempre un lavavajillas.

**GUARDE ESTAS INSTRUCCIONES**

# Partes y características



- |  |  |
|--|--|
| 1 Lavado de tercer nivel                               | 10 Sujetador(es) NO-FLIP* (pág 8)          |
| 2 Canasta superior (pág 7)                             | 11 Puntas plegables (pág 8)                |
| 3 Brazo rociador superior                              | 12 Tubo de alimentación de agua ULTRAFLOW* |
| 4 Canastilla para utensilios (pág 8)                   | 13 Canastilla para cubiertos (pág 9)       |
| 5 Canasta inferior (pág 8)                             | 14 Etiqueta de número de modelo y serie    |
| 6 Brazo rociador inferior                              | 15 Módulo ULTRA WASH* (pág 4)              |
| 7 Orificio de entrada de agua [en la pared de la tina] | 16 Interruptor de entrada de agua          |
| 8 Parachoques de la canasta                            | 17 Depósito de detergente (pág 10)         |
| 9 Elemento de calefacción                              | 18 Depósito de agente de enjuague (pág 11) |

## Características adicionales que su lavavajillas puede tener:

Canastilla para artículos pequeños (pág 8)

# El sistema de remoción de suciedad ULTRA WASH\*

El nuevo Sistema de Remoción de Suciedad ULTRA WASH de su lavavajillas está diseñado para brindarle platos limpios y relucientes en el menor tiempo posible usando la menor cantidad de energía necesaria. El Sistema ULTRA WASH incluye:

- Un triturador resistente que actúa como eliminador de alimentos para triturar y eliminar partículas grandes de alimentos.
- Un Sensor ULTRA WASH que monitorea el nivel de suciedad en la carga para lavar y regula el ciclo de acuerdo con ese nivel.

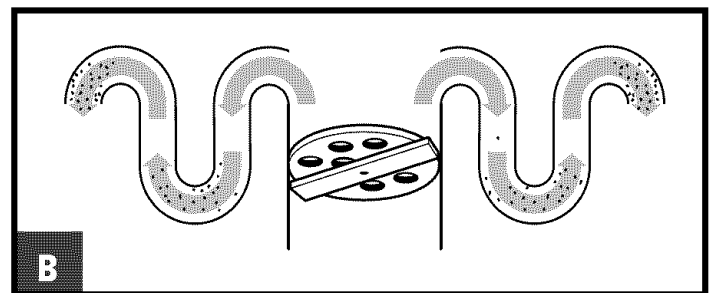
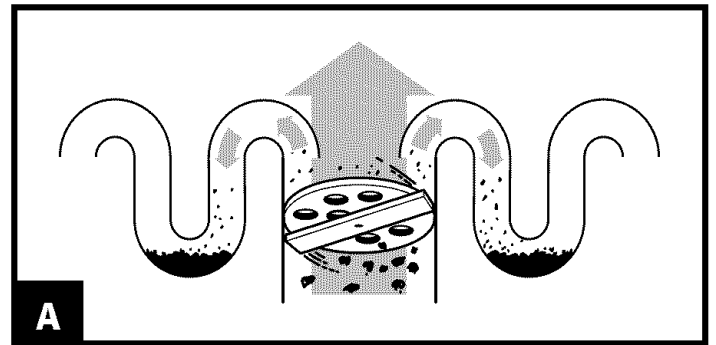
## Así funciona el Sistema de Remoción de Suciedad ULTRA WASH:

1. Cuando usted carga el lavavajillas, todo lo que tiene que hacer es quitar los huesos, los trozos grandes de alimentos o los alimentos quemados. El resto de los alimentos será triturado y eliminado en su totalidad.
2. El agua caliente llena el lavavajillas a un nivel cerca de la parte inferior del interruptor de entrada de agua.
3. Mientras el agua es calentada, el Indicador del Calentador de Agua en el panel de control destella y el tiempo del ciclo se detiene en el indicador electrónico.
4. Cuando el agua alcanza la debida temperatura, el Indicador del Calentador de Agua se apaga y se reinicia la cuenta regresiva del tiempo del ciclo.
5. El detergente es agregado en el momento adecuado desde el depósito de detergente y el agua caliente es expelida a través de la bomba ULTRA WASH.
6. Las partículas de alimentos son entonces eliminadas de los platos, ollas y cacerolas, cubiertos y cuchillos al ser rociados con una mezcla de agua caliente y detergente por medio de dos brazos rociadores, contra las superficies sucias.
7. Los restos de alimentos en el lavavajillas son retenidos en una cámara de acumulación para que no vuelvan a circular por el lavavajillas.
8. El agua es expelida de nuevo por la bomba ULTRA WASH para eliminar las partículas de alimentos del agua y "retenerlas" en la cámara de acumulación **A**.
9. La suciedad en el Sistema de Remoción de Suciedad ULTRA WASH es eliminada por el conducto de desagüe con el agua de lavar **B**.
10. Agua fresca y caliente entra en el lavavajillas, es rociada sobre los platos para enjuagarlos y el agua de enjuague es expelida por medio del Sistema ULTRA WASH para eliminar la suciedad restante.

11. La suciedad retenida en el Sistema de Remoción de Suciedad ULTRA WASH es eliminada por el conducto de desagüe con el agua de enjuague.
12. El agua del enjuague final es calentada, y se agrega un agente de enjuague para preparar los platos para el secado.

## Cómo regula el ciclo el Sensor ULTRA WASH:

- Cuando destella la luz del indicador de detección en el panel de control, el Sensor ULTRA WASH está detectando la cantidad de suciedad en el lavavajillas.
- Una vez que se determina el nivel de suciedad, el lavavajillas pasa por alto las etapas innecesarias del ciclo. El indicador de cuenta regresiva del ciclo se regula automáticamente.
- Para niveles de suciedad menores, el lavavajillas usará menos cambios de agua y reducirá el tiempo del ciclo. Ejemplo: Un ciclo Normal de 90 minutos con un nivel de suciedad menor se regula a un ciclo Normal de 70 minutos (incluyendo tiempo de secado).



# Guía de puesta en marcha

## Antes de usar su lavavajillas

### **⚠ ADVERTENCIA**



#### Peligro de Vuelco

No use el lavavajillas antes de estar completamente instalado.

No se apoye en la puerta abierta.

No seguir estas instrucciones puede ocasionar herida seria o cortaduras.

### **⚠ ADVERTENCIA**



#### Peligro de Choque Eléctrico

Conecte a tierra el lavavajillas.

Conecte el alambre de conexión a tierra al conector verde de conexión a tierra en la caja de terminales.

No use un cable eléctrico de extensión.

No seguir estas instrucciones puede ocasionar la muerte, incendio o choque eléctrico.

## INSTRUCCIONES DE CONEXIÓN A TIERRA

### • Para un lavavajillas con cordón y conexión a tierra:

El lavavajillas debe estar conectado a tierra. En caso de funcionamiento malo o avería, la conexión a tierra reduce el riesgo de choque eléctrico al establecer una ruta de menor resistencia para la corriente eléctrica. El lavavajillas viene equipado con un cordón que tiene un conductor para conexión a tierra. La clavija debe ser conectada a un contacto con tierra que esté instalado y conectado a tierra de acuerdo con todos los códigos y ordenanzas locales.

**ADVERTENCIA :** La conexión inadecuada del conductor de conexión a tierra puede resultar en riesgo

de choque eléctrico. Pregunte a un electricista calificado o a un agente de servicio si no está seguro si el lavavajillas está adecuadamente conectado a tierra. No modifique la clavija que viene con el lavavajillas. Si no cabe en el contacto, pida que un electricista calificado instale un contacto con tierra apropiado.

### • Para lavavajillas con conexión permanente:

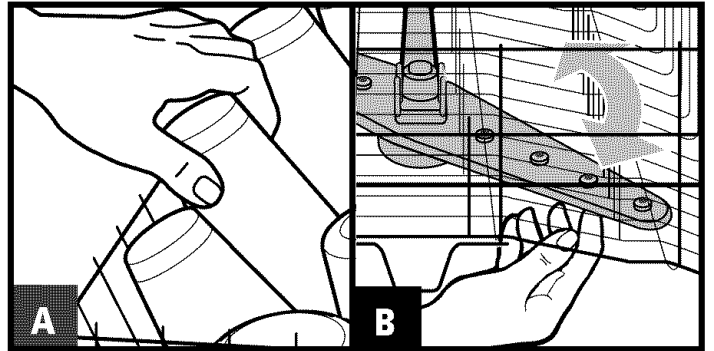
El lavavajillas debe estar conectada a un sistema de alambrado eléctrico de conexión a tierra de metal o a un conductor de conexión a tierra y conectado al término de conexión a tierra o conductor en el lavavajillas.

**GUARDE ESTAS INSTRUCCIONES**

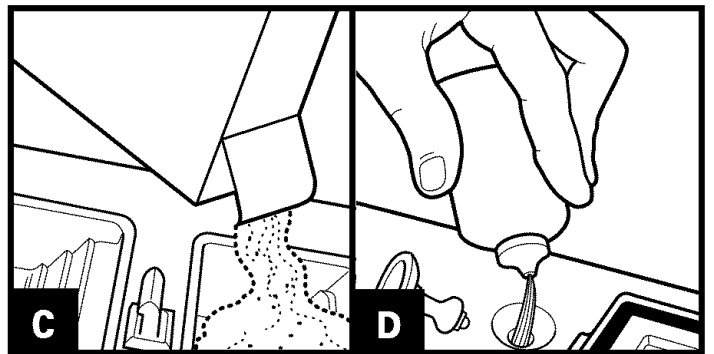
# Cómo poner en marcha el lavavajillas para lavar los platos de uso diario

A continuación está un resumen sobre cómo cargar y poner en marcha el lavavajillas. Consulte las páginas señaladas para más detalles sobre cada paso.

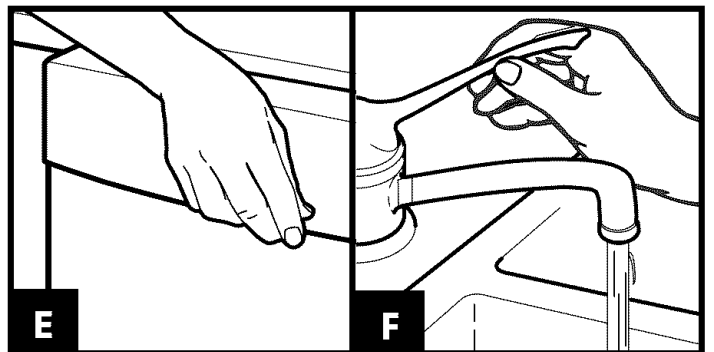
1. El Sistema de Remoción de Suciedad ULTRA WASH\* está diseñado para eliminar partículas de alimentos del agua de lavado y enjuague. Quite sólo los huesos y los trozos grandes de alimentos de los platos.
2. Coloque los platos y demás piezas debidamente en el lavavajillas **A**. Asegúrese de que nada impida a los brazos rociadores girar libremente **B**. Consulte la página 7.



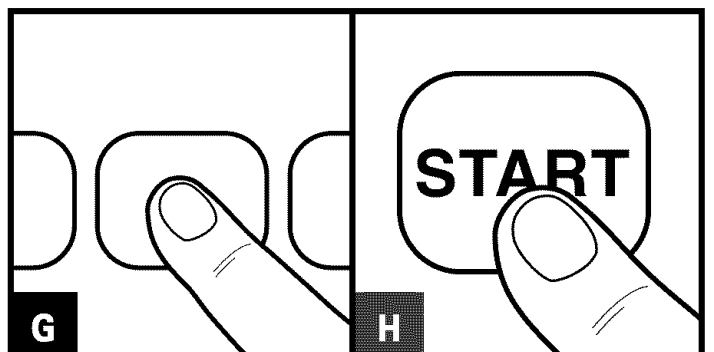
3. Agregue detergente **C** y revise el depósito del agente de enjuague. Agregue el agente de enjuague si fuera necesario **D**. Consulte las páginas 10 y 11.



4. Empuje la puerta para cerrarla con firmeza **E**. La puerta queda asegurada automáticamente. Haga correr agua caliente en el fregadero que esté más cerca de su lavavajillas hasta que salga caliente **F**. Cierre la llave del agua. Consulte la página 12.



5. Oprima las selecciones de Ciclo y Opciones que desee **G**. Consulte las páginas 13 a 15. Presione el botón de Inicio ("START") **H**.



# Cómo cargar el lavavajillas

## Prepárese para cargar el lavavajillas

- Coloque correctamente los platos en el lavavajillas para obtener mejores resultados. Colocarlos incorrectamente puede perjudicar la acción de lavado y podría ser necesario volver a lavar todos o parte de los platos.
- Lave cargas completas. Un lavavajillas lleno hasta la mitad consume la misma cantidad de energía y agua caliente que una máquina llena.
- Para ahorrar agua y energía, no enjuague los platos antes de colocarlos en el lavavajillas.
- Quite los pedazos grandes de alimentos, huesos, huesos de frutas y otros objetos duros. El módulo ULTRA WASH\* eliminará las partículas de alimentos del agua. El módulo contiene un dispositivo de corte que reduce el tamaño de las partículas de alimentos.

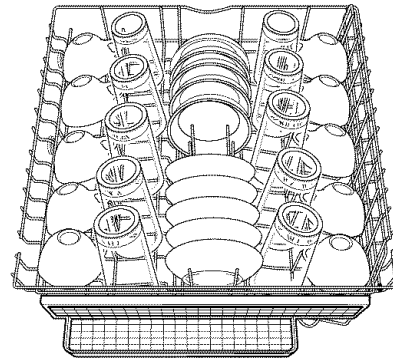
**NOTA:** Si objetos duros tales como semillas de frutas, nueces y cáscaras de huevo entran en el módulo ULTRA WASH, usted podrá oír cuando el material está siendo picado, molido, triturado o escuchar zumbidos. Estos sonidos son normales cuando entran objetos duros en el módulo. **No permita** que objetos metálicos (tales como los tornillos del mango de la olla) se introduzcan en el módulo ULTRA WASH pues pueden dañarlo.

- Puede ser difícil eliminar alimentos como huevos, arroz, pasta, espinaca y cereales cocidos si llegan a secarse después de un tiempo. Ponga en marcha el ciclo de Enjuague Rápido para mantener húmedos los platos si no piensa lavarlos pronto.
- Coloque los platos en la máquina de manera que las superficies sucias miren hacia los brazos rociadores giratorios.
- Coloque los platos de manera que no estén amontonados unos sobre otros, si fuera posible. Es importante que el agua de rociado alcance todas las superficies sucias para un mejor lavado. Para un mejor secado, el agua debe escurrirse de todas las superficies.

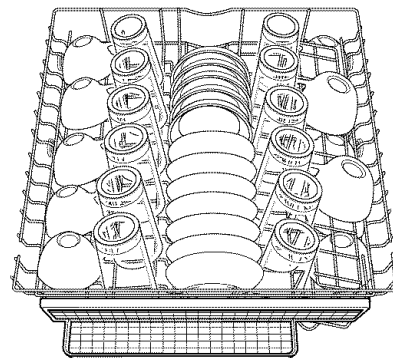
## Cómo cargar la canasta superior

La canasta superior está diseñada para tazas, vasos y artículos pequeños. (Vea los siguientes modelos recomendados para el llenado.)

**NOTA:** La configuración de la canasta de su lavavajillas puede ser un poco diferente a las ilustraciones que siguen.



10 puestos



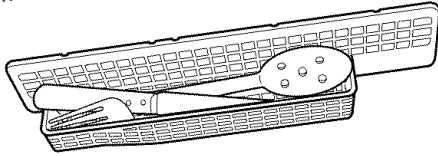
12 puestos

- Coloque los objetos de manera que su parte cóncava mire hacia abajo, para la limpieza y para que el agua se escurra.
- Coloque los vasos únicamente en la canasta superior—la canasta inferior no está diseñada para vasos. Pueden dañarse.
- Coloque las tazas y los vasos en las hileras entre las puntas. Si los coloca sobre las puntas pueden romperse.
- Asegúrese de que los objetos livianos estén firmes en su lugar.
- Los artículos de porcelana, de cristal y otros artículos delicados no deben estar en contacto unos con otros durante la operación de lavado. Pueden dañarse.
- Coloque los artículos de plástico únicamente en la canasta superior. Se recomienda introducir sólo artículos marcados como: "Lavable en el lavavajillas".
- Coloque los artículos de plástico en forma tal que la fuerza del rociado no los mueva durante el ciclo.
- Para evitar las cascaduras, no deje que los artículos de cristal se rocen.
- Los tazones pequeños, las cazuelas y otros utensilios pueden ser colocados en la canasta superior.

## Cómo cargar la canasta superior (cont.)

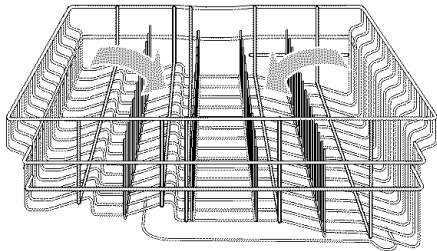
### Canastilla para utensilios

Use esta práctica canastilla en la canasta superior para colocar espátulas, cucharas de madera y artículos similares



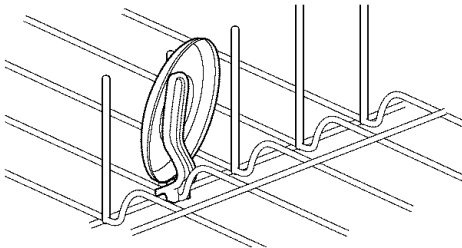
### Puntas plegables

Doble las puntas de la canasta superior completamente hacia abajo para acomodar artículos más grandes.



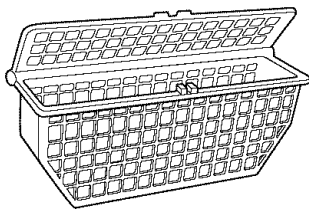
### Sujetador(es) NO-FLIP\*

Use los sujetadores NO-FLIP para sostener artículos pequeños y livianos en su lugar durante el ciclo.



### Canastilla para artículos pequeños (en algunos modelos)

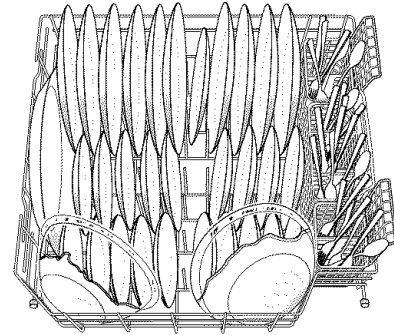
Esta canastilla cabe en la canasta superior. Utilícela para colocar artículos pequeños que de otra forma “volarían” dentro del lavavajillas durante un ciclo.



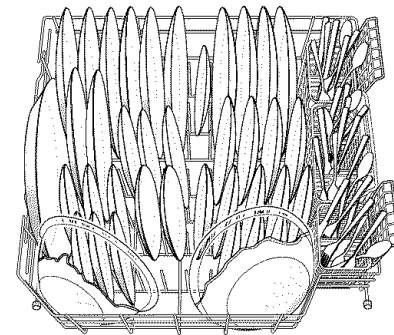
## Cómo cargar la canasta inferior

Los objetos con restos de alimentos cocidos o que se han secado deben ser colocados en la canasta inferior con las superficies sucias mirando hacia el interior, en dirección del rociador. (Vea los siguientes modelos recomendados para el llenado.)

**NOTA:** La configuración de la canasta de su lavavajillas puede ser un poco diferente a las ilustraciones que siguen.



10 puestos

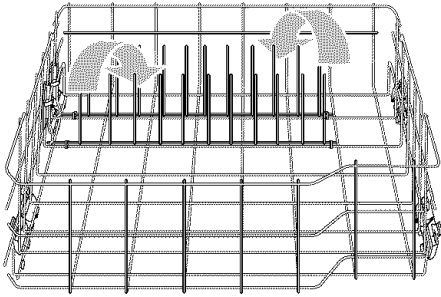


12 puestos

- No ponga vasos, tazas o artículos de plástico en la canasta inferior.
- Coloque los platos, tazones para sopas, etc., entre las puntas y mirando hacia adentro en dirección del rociador.
- Entrelace los extremos de los platos cuando haya demasiados artículos.
- Asegure las cacerolas muy sucias en la canasta, mirando hacia abajo.
- Asegúrese de que los mangos de las ollas y otros objetos no impidan la rotación del brazo rociador inferior. El brazo rociador debe moverse libremente.

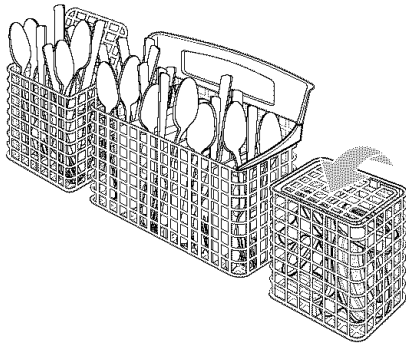
## Divisor abatible

Se puede bajar el divisor abatible en la parte trasera de la canasta para dar espacio a tazones hondos, bandejas de hornear y otros artículos grandes.



## Cómo llenar la canastilla de los cubiertos

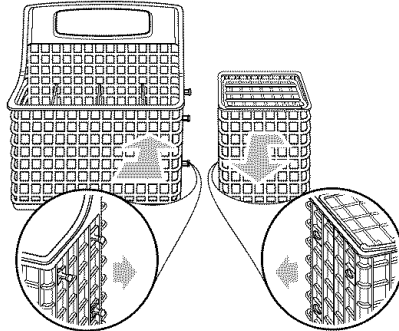
- Ponga los cubiertos en la canastilla de cubiertos colocada en la canasta inferior o sáquela para llenarla en una superficie o mesa.  
**NOTA:** Usted puede sacar la canastilla para descargarla con más facilidad. Descargue siempre o quite la canastilla antes de descargar las canastas para evitar que caigan gotitas de agua sobre los cubiertos.
- Coloque los objetos pequeños (tapas de botellas de bebé, tapas de tarros, etc.) en una sección con una tapa articulada. Cierre la tapa para que los objetos se mantengan en su lugar.



- Usted puede separar las dos canastillas pequeñas de la canastilla grande y colocar las canastillas pequeñas en otro lugar en la canasta superior o inferior.

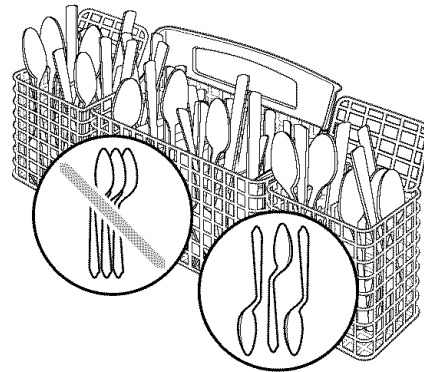
## Para sacar una canastilla pequeña:

1. Sostenga la canastilla grande del centro con una mano y una de las otras canastillas pequeñas con la otra mano.
2. Deslice la canastilla pequeña para que se suelten las lengüetas de las ranuras correspondientes.
3. Tire de la canastilla para sacarla.



- Mezcle objetos en cada sección de la canastilla, algunos con la punta hacia arriba, otros hacia abajo, para evitar apilamientos. El rociado no puede alcanzar los objetos apilados.

**IMPORTANTE:** Coloque siempre los objetos puntiagudos (cuchillos, pinchos, tenedores, etc.) con la punta hacia abajo.



## Consejos para el funcionamiento silencioso

### Para evitar ruidos descomunales o estrepitosos durante el funcionamiento:

- Asegúrese de que los objetos livianos estén firmes en las canastas.
- Asegúrese de que las tapas y los mangos de las ollas, los moldes para pizza, las bandejas de galletas, etc., no toquen las paredes interiores ni interfieran con la rotación del brazo rociador.
- Coloque los platos de manera que no se toquen.

**NOTA:** Mantenga los tapones del conducto del sumidero cerrados mientras la máquina está funcionando para evitar que el ruido se pase por el conducto.



# Su papel en la limpieza de los platos

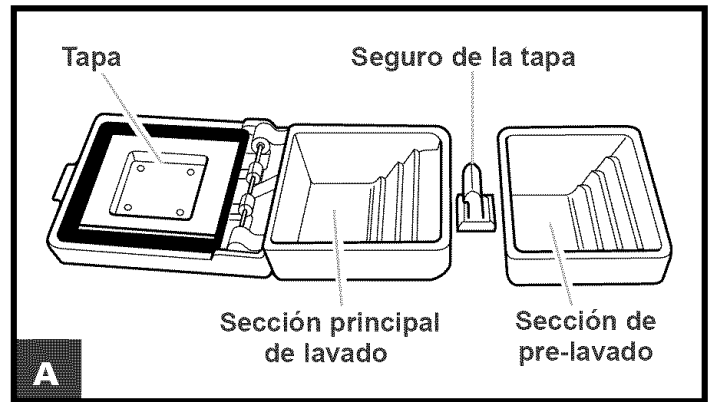
## Cómo usar el depósito de detergente

- Use únicamente detergente para lavavajillas automáticos. Los otros detergentes son muy suaves y demasiado espumosos.
- Agregue el detergente justo antes del inicio del ciclo.
- Guarde el detergente bien cerrado en un lugar frío y seco. El detergente para lavavajillas automáticos produce mejores resultados cuando está fresco.

## Cómo llenar el depósito de detergente

El depósito de detergente **A** tiene una sección con tapa y otra descubierta. Empuje la tapa con firmeza hacia abajo hasta que quede asegurada. El detergente en la sección descubierta cae dentro de la máquina cuando se cierra la puerta. La sección cubierta se abre automáticamente para la lavada principal. Es normal que la tapa se abra parcialmente cuando se vierte el detergente.

**NOTA:** llene ambas secciones para los ciclos con dos lavadas. Llene únicamente la sección con tapa para los ciclos con una sola lavada. Vea la tabla de ciclos para más detalles.



## Cuánto detergente debe usar

- La cantidad de detergente que debe usar depende de la dureza del agua y del tipo de detergente. Si usa muy poquito, los platos no quedarán limpios. Si usa demasiado en agua suave, las piezas de cristal quedarán manchadas.
- Pregunte la dureza de su agua al departamento de suavizado de agua de la tienda Sears de su localidad o al departamento de suministro de agua de su localidad.

Mineralización del agua	Cantidad de detergente
<b>Agua "suave" a ligeramente mineralizada</b> 0 a 6 granos por galón	<b>Para cargas normales:</b> <ul style="list-style-type: none"><li>• Llene parcialmente la sección principal de lavado (30 gramos ó 2 cucharadas)</li><li>• Llene la sección de pre-lavado (30 gramos ó 2 cucharadas)</li></ul> <b>Nota:</b> Añada sólo una cucharada ó 15 gramos de detergente a la sección de pre-lavado si los platos han sido previamente enjuagados o si el agua no tiene minerales. <b>Para cargas muy sucias:</b> <ul style="list-style-type: none"><li>• Llene la sección principal de lavado (45 gramos ó 3 cucharadas)</li><li>• Llene la sección de pre-lavado (30 gramos ó 2 cucharadas)</li></ul>
<b>Agua con mediana a alta mineralización</b> 7 a 12 granos por galón	<b>Para cargas normales o muy sucias:</b> <ul style="list-style-type: none"><li>• Llene la sección principal de lavado (45 gramos ó 3 cucharadas)</li><li>• Llene la sección de pre-lavado (30 gramos ó 2 cucharadas)</li></ul>

**NOTA:** Los niveles de llenado que se indican, corresponden a los detergentes en polvo estándares. Los niveles pueden variar si usted usa un detergente líquido o en polvo concentrado. Siga las instrucciones que están en el empaque cuando use un detergente líquido para lavavajillas o un detergente en polvo concentrado.

# Cómo usar el depósito de agente de enjuague

Un agente de enjuague mejora en gran medida el secado de los platos y ayuda a evitar las manchas o rayas. El agente de enjuague ayuda a que el agua se escurra de los platos y evita que se formen gotitas. Una pequeña cantidad de agente de enjuague cae automáticamente en el agua para el enjuague final.

**Mantenga el depósito del agente de enjuague lleno con un agente líquido.** Para mejores resultados, revise periódicamente el depósito, como se indica a continuación, para ver si necesita llenarse:

- Revise el centro de la tapa indicadora de llenado **A**. Si está vacía significa que necesita llenarse.

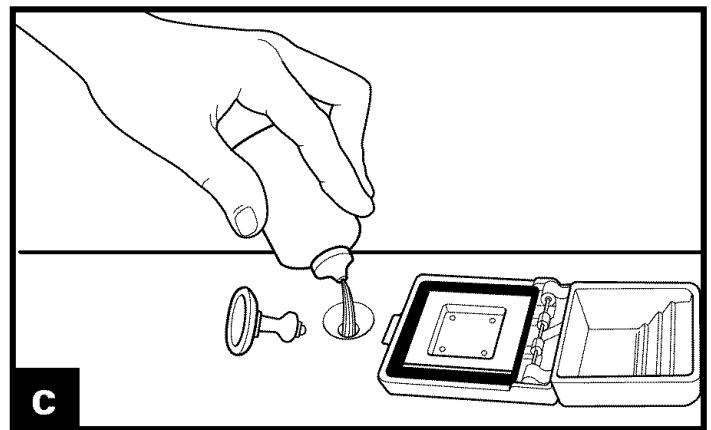
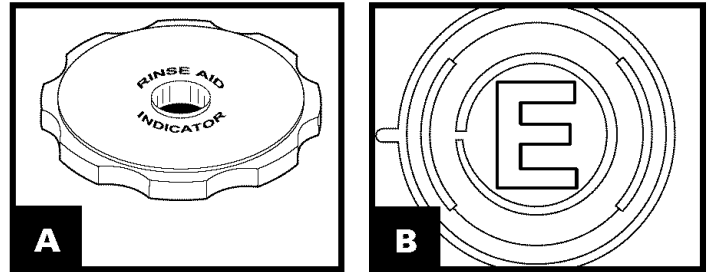
- O**
- Quite la tapa indicadora de llenado. Se ve una "E" al fondo cuando el depósito está vacío **B**.

## Para llenar el depósito:

1. Abra completamente la puerta del lavavajillas.
2. Quite la tapa del indicador de llenado.
3. Agregue el agente de enjuague **C**. Llène solamente hasta la abertura más pequeña en la parte inferior del depósito. Sobrellenar puede hacer que el agente de enjuague se filtre hacia afuera. Esto no dañará la máquina pero puede causar exceso de espuma.
4. Limpie con un paño húmedo el agente de enjuague que se haya derramado.
5. Vuelva a colocar el tapón indicador de llenado. Manténgalo cerrado firmemente.

## NOTAS:

- El lavavajillas está diseñado para usar un agente de enjuague líquido. No use un agente de enjuague sólido o en barra.
- El depósito del agente de enjuague tiene capacidad para 175 mL (6 onzas). Bajo condiciones normales, esto dura cerca de 3 meses.
- No tiene que esperar hasta que el depósito esté vacío para rellenarlo, pero no lo sobrellene.



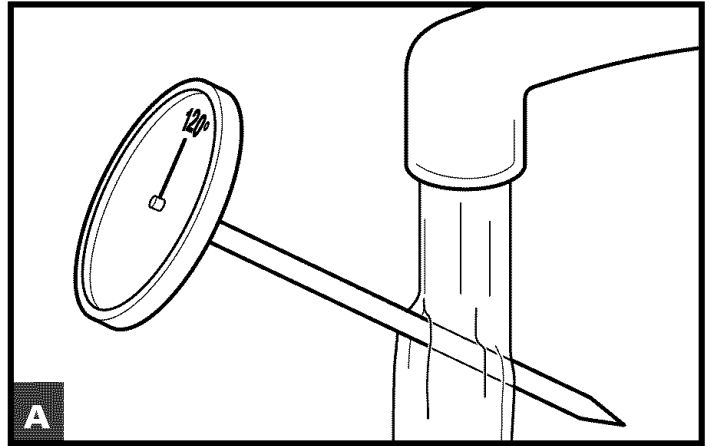
## Consejos sobre la temperatura del agua

El agua caliente disuelve y activa el detergente para lavavajillas. El agua caliente también disuelve la grasa de los platos y ayuda a secar los vasos sin que se manchen. Para obtener mejores resultados al lavar, el agua debe estar por lo menos a una temperatura de 49°C (120°F) al entrar en el lavavajillas. Los platos podrían no lavarse tan bien si la temperatura del agua está muy baja.

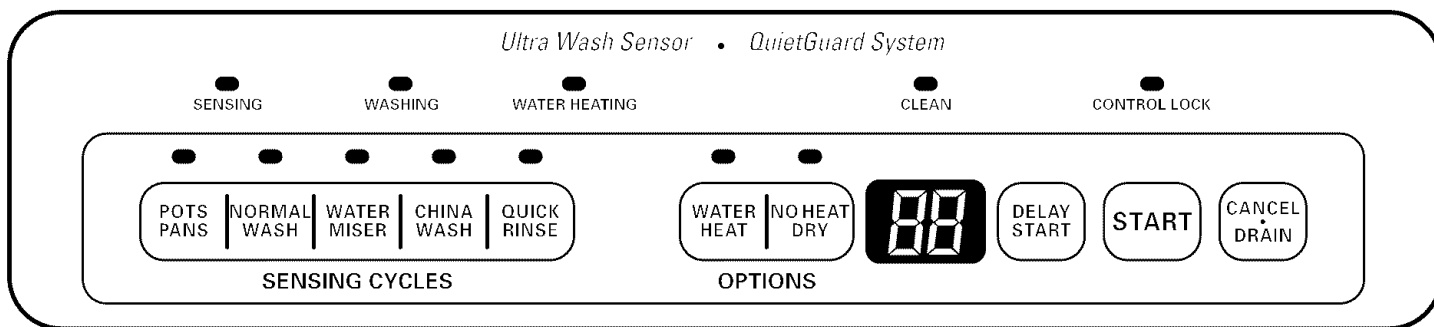
**NOTA:** Use la opción de Agua Caliente de su lavavajillas si mantiene el calentador de agua en una posición baja. El marcador de tiempo del indicador electrónico hace una pausa cuando el agua se está calentando. Para más información, vea “El lavavajillas pasa mucho tiempo en marcha” en la sección de “Diagnóstico y solución de problemas”.

### Para revisar la temperatura del agua:

1. Deje correr el agua caliente de la llave que está más cerca de su lavavajillas, al menos por un minuto.
2. Mida la temperatura del agua colocando un termómetro de caramelo o de cocina en el chorro de agua **A**.
3. Si la temperatura del agua que sale de la llave es menor de 49°C (120°F), haga que una persona calificada aumente la temperatura del termostato del calentador de agua.



# Ciclos



Un "\*" muestra lo que incluye cada ciclo.

CICLO	Nivel de suciedad detectado por el Sensor Ultra Wash	Lavado	Enjuague	Lavado principal	Enjuague	Enjuague final caliente	Secado	Tiempo del ciclo† (min.)	Uso de agua (galones [EE.UU.]/litros)	Secciones del depósito de detergente
OLLAS/ CAZUELAS <b>POTS PANS</b>	Pesado	*	*	60°C 140°F	*	60°C 140°F	*	97†	40.9/10.8	
	Liviano	57°C 135°F	*	60°C 140°F	*	60°C 140°F	*	87†	32.7/8.6	Use ambas secciones

Para lavar platos y ollas y cazuelas en restos de alimentos cocidos u horneados.

CICLO	Nivel de suciedad detectado por el Sensor Ultra Wash	Lavado	Enjuague	Lavado principal	Enjuague	Enjuague final caliente	Secado	Tiempo del ciclo† (min.)	Uso de agua (galones [EE.UU.]/litros)	Secciones del depósito de detergente
LAVADO NORMAL <b>NORMAL WASH</b>	Pesado	*	*	60°C 140°F	*	60°C 140°F	*	90†	40.9/10.8	
	Mediano	*		60°C 140°F	*	60°C 140°F	*	86†	32.7/8.6	Use ambas secciones
	Liviano			*	*	60°C 140°F	*	70†	24.5/6.5	

Para platos de uso diario que estén muy sucios. (La etiqueta de Guía de Energía está basada en este ciclo).

- El seleccionar la opción de agua caliente asegura que el agua esté a la temperatura de 60°C (140°F) en el lavado principal para cualquier nivel de suciedad detectada.

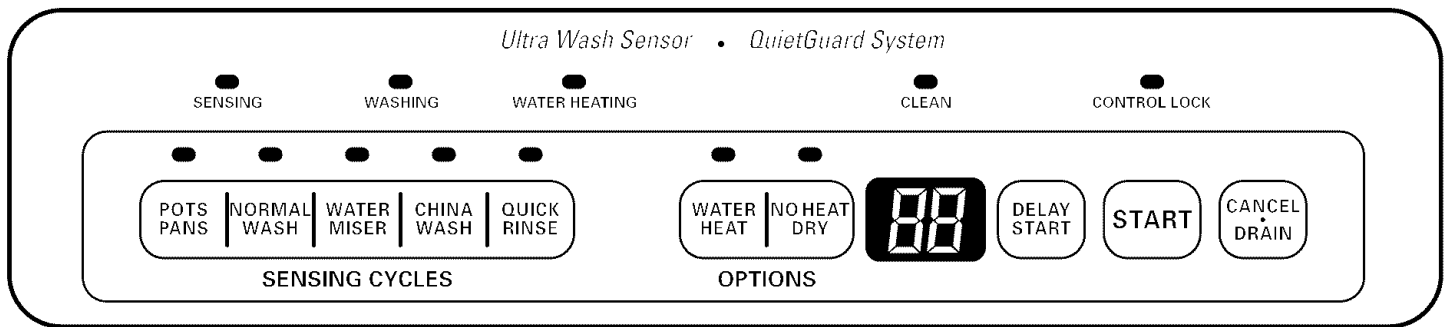
† El tiempo del ciclo incluye tiempo de secado y puede durar más, según la temperatura del agua que entra en el lavavajillas. Mientras más fría el agua, más durará el ciclo. Si el agua ya está lo suficientemente caliente, los tiempos del ciclo serán como los indicados aquí.

El indicador electrónico de tiempo hará una pausa mientras el agua se calienta y el indicador del Calentador de Agua destellará mientras el agua está siendo calentada hasta alcanzar la temperatura que se indica.

**NOTA:** Usted puede agregar un plato sucio si el indicador de estatus de Lavado está encendido. Abrir la puerta no afecta el sensor.

continúa en la siguiente página

# Ciclos (cont.)



Un “•” muestra lo que incluye cada ciclo.

CICLO	Nivel de suciedad detectado por el Sensor Ultra Wash	Lavado	Enjuague	Lavado principal	Enjuague	Enjuague final caliente	Secado	Tiempo del ciclo† (min.)	Uso de agua (galones [EE.UU.]/litros)	Secciones del depósito de detergente
<b>AHORRO DE AGUA</b> 	Pesado		•	• 60°C 140°F	•	• 60°C 140°F	•	78†	32.7/8.6	 Use la sección con tapa
	Liviano			•	•	• 60°C 140°F	•	64†	17.4/4.6	
<b>LAVADO DE PORCELANA</b> 	Pesado		•	•	•	• 54°C 130°F	• Ciclado	74†	32.7/8.6	 Use la sección con tapa
	Liviano			•	•	• 54°C 130°F	• Ciclado	64†	17.4/4.6	
<b>ENJUAGUE RÁPIDO</b> 	Pesado		•		•			14	16.4/4.3	 No se necesita detergente
	Liviano				•			10	8.2/2.2	

Para platos pre-enjuagados o ligeramente sucios. Ahorra energía usando menos agua que el ciclo de Lavado Normal.

- El seleccionar la opción de agua caliente asegura que el agua esté a la temperatura de 140°F (50°C) en el lavado principal para cualquier nivel de suciedad detectada.

Un lavado liviano y un secado suave para los objetos de porcelana y de cristal. Si usted no ha seleccionado Secado sin calor, el ciclo del elemento de calefacción se enciende y se apaga durante esa porción del ciclo.

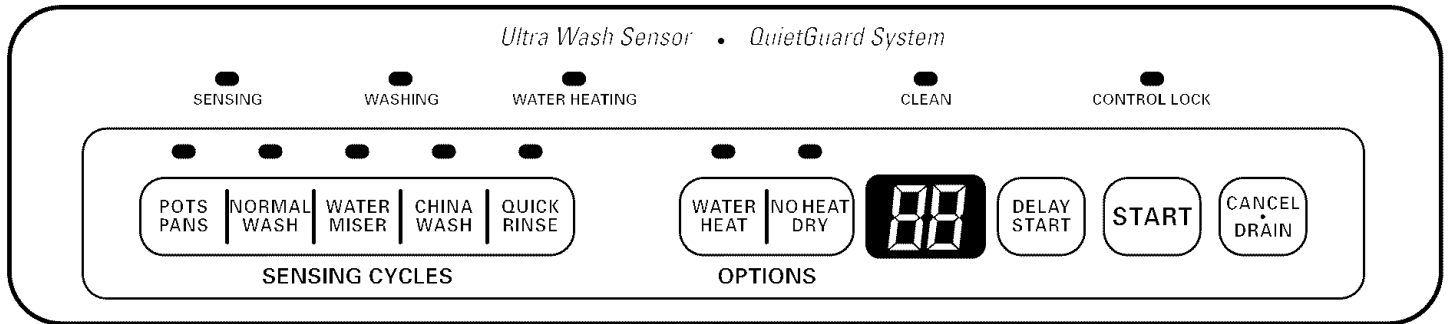
Para enjuagar platos que serán lavados posteriormente.

† El tiempo del ciclo incluye tiempo de secado y puede durar más, según la temperatura del agua que entra en el lavavajillas. Mientras más fría el agua, más durará el ciclo. Si el agua ya está lo suficientemente caliente, los tiempos del ciclo serán como los indicados aquí.

El indicador electrónico de tiempo hará una pausa mientras el agua se calienta y el indicador del Calentador de Agua destellará mientras el agua está siendo calentada hasta alcanzar la temperatura que se indica.

**NOTA:** Usted puede agregar un plato sucio si el indicador de estatus de Lavado está encendido. Abrir la puerta no afecta el sensor.

# Opciones



Opción	¿Cuándo debo usarlo?	¿Qué hace?
<b>Water Heat (Agua Caliente)</b> <ul style="list-style-type: none"> <li>Automática con Ollas/Cazuelas</li> <li>Opción para los ciclos Normal y de Ahorro de Agua</li> <li>No está disponible para los ciclos de Lavado de Porcelana, Lavado Rápido y Enjuague Rápido</li> </ul>	Para asegurar que la temperatura del agua en el Lavado Principal alcance los 60°C (140°F).	<ul style="list-style-type: none"> <li>Cuando usted selecciona la opción de Agua Caliente, el lavado principal hace una pausa mientras el agua alcanza una temperatura de 60°C (140°F).</li> <li>Cuando el agua se calienta, continúa la acción de lavado. El indicador de Agua Caliente destella y el indicador electrónico de tiempo hace una pausa mientras el agua alcanza la temperatura adecuada.</li> </ul>
<b>No Heat Dry (Secado sin calor)</b> <ul style="list-style-type: none"> <li>Opción para los ciclos de Ollas/Cazuelas, Lavado Normal, Ahorro de Agua y Lavado de Porcelana</li> </ul>	Úselo cuando no necesite un ciclo rápido de secado. Permite tiempos de secado más prolongados (toda la noche). Utilice agente de enjuague para mejorar el secado.	<ul style="list-style-type: none"> <li>Apaga el elemento de calefacción en un período de secado de 30 minutos.</li> </ul>
<b>Delay Start (Inicio retardado)</b> <ul style="list-style-type: none"> <li>Opción para cualquier ciclo</li> </ul>	Úselo cuando quiera empezar un ciclo más tarde. Programe el retardo para que ponga en marcha el lavavajillas cuando están vigentes las tarifas para las horas de menor consumo o cuando no esté en su hogar. Los servicios públicos locales recomiendan esto para evitar el alto consumo de energía en ciertas horas del día.	<ul style="list-style-type: none"> <li>Retarde el inicio del ciclo que usted seleccionó y las opciones en incrementos de una hora hasta un total de nueve horas.</li> <li>Para programarlo:               <ol style="list-style-type: none"> <li>Oprima los botones de ciclo y opción.</li> <li>Presione el botón de Inicio Retardado ("Delay Start"). Incrementa el retardo una hora cada vez que se oprime el botón de Inicio Retardado. EL tiempo total de retardo aparece en el indicador electrónico de tiempo.</li> <li>Oprima el botón de Inicio ("Start"). Cuando oprime este botón, se inicia el retardo. El tiempo de retardo indicado en el panel de control destella una vez. El ciclo y las opciones comienzan cuando expira el tiempo de retardo. Si no se oprime el botón de Inicio dentro del término de 30 segundos a partir de la selección final, usted tendrá que volver a seleccionar sus posiciones de ciclo, opciones y retardo.</li> </ol> </li> <li>Usted puede cambiar las selecciones de ciclo y opción en cualquier momento durante el período de retardo. También puede eliminar el retardo oprimiendo el botón de Inicio ("Start") en cualquier momento. El lavavajillas se pondrá en marcha inmediatamente.</li> </ul>

# Características especiales

## Memoria del botón de inicio

- Para usar los últimos ciclos y opciones completados, oprima el botón de inicio (“Start”).
- Si usted no usa el lavavajillas todos los días, cierre la puerta para mantener la memoria.
- Si el suministro eléctrico permanece interrumpido o la puerta está abierta por mucho tiempo, la memoria del botón de inicio volverá al ciclo Normal con Secado con Calor.

## Para cambiar un ciclo

- Oprima Cancel•Drain (Cancelar•Desagüe). Espere que se complete el desagüe de 2 minutos. Vuelva a programar el lavavajillas para el ciclo y las opciones que desee. (Recuerde agregar detergente si el lavavajillas ha pasado por la porción de lavado del ciclo original).

O

- Usted puede cambiar el ciclo y las opciones en cualquier momento durante los primeros 2 minutos del ciclo (mientras el agua entra en el lavavajillas) sin oprimir Cancelar•Desagüe.

## Para cancelar un ciclo

- Oprima Cancel•Drain (Cancelar•Desagüe). Espere que se completen los 2 minutos del desagüe.

## Seguro de los controles

- Evite las selecciones accidentales de ciclos “asegurando” los controles.
- Para asegurar los controles: presione y mantenga presionado el botón de No Heat Dry (Secado sin Calor) por 4 segundos. El indicador de estatus de Controles Cerrados resplandece cuando se cierran los controles.
- Para “abrir” los controles: presione y mantenga presionado el botón de No Heat Dry por 4 segundos. El indicador de estatus de Control Lock (Controles Asegurados) se apagará y encenderá.
- Si usted trata de programar los ciclos o las opciones cuando los controles están cerrados, el indicador de estatus de Control Lock destellará para que usted sepa que no se pueden seleccionar los ciclos y las opciones hasta que se “abran” los controles.

# Cuidado del lavavajillas

Para problemas especiales de limpieza, consulte la sección “Diagnóstico y solución de problemas”.

## Limpieza del lavavajillas

### Cómo limpiar el exterior

En la mayoría de los casos, el uso con regularidad de una esponja o un paño suave y húmedo y un detergente suave es todo lo que se necesita para mantener atractiva y limpia la parte exterior de su lavavajillas **A**.

### Cómo limpiar el interior

Los minerales del agua dura pueden producir una película blanca en las superficies interiores, especialmente debajo del área de la puerta.

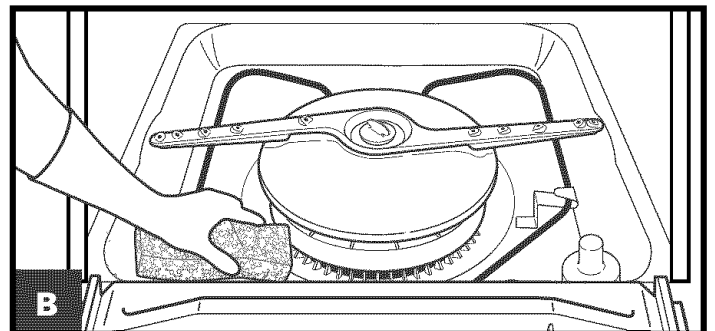
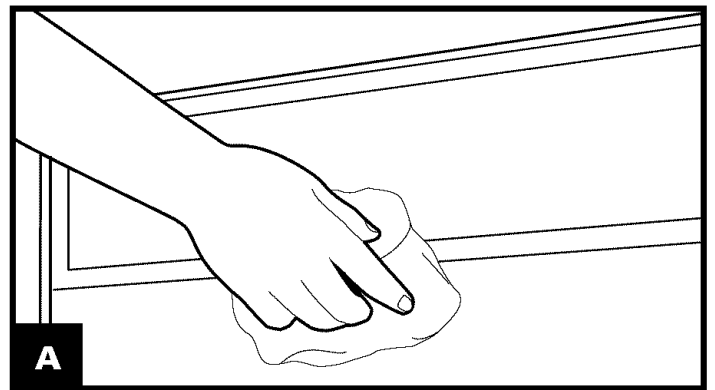
#### Para limpiar el interior:

- Aplique un detergente en polvo para lavavajillas en una esponja húmeda para formar una pasta.

O

- Use detergente líquido para lavavajillas y limpie con una esponja húmeda **B**.

**No limpie** el interior del lavavajillas hasta que se haya enfriado. Use guantes de goma. **No** use ningún tipo de limpiador que no sea detergente para lavavajillas porque los otros pueden producir espuma abundante.

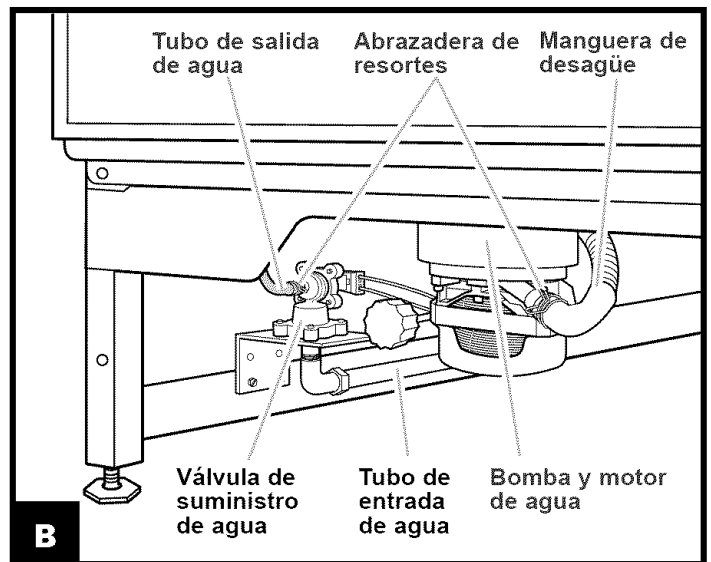
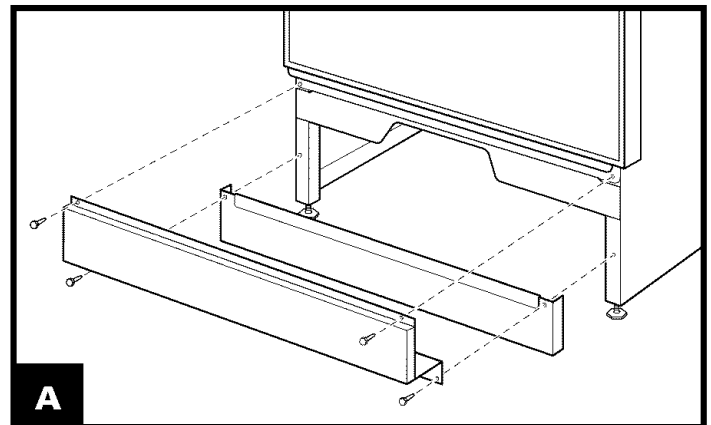


# Cómo guardar el lavavajillas

## Cómo trasladar o preparar su lavavajillas para el invierno

Proteja su lavavajillas y su hogar contra los daños causados por el agua debido a los tubos de agua congelada. Si deja su lavavajillas en una vivienda de temporada o si pudiera estar expuesto a temperaturas cercanas a bajo cero, es necesario que una persona calificada haga lo siguiente:

1. Desconecte el suministro de energía eléctrica hacia el lavavajillas.
2. Cierre el suministro de agua hacia el lavavajillas.
3. Quite los 4 tornillos que están en el panel de acceso inferior y quite el panel **A**.
4. Coloque una cacerola poco profunda debajo de la válvula de suministro de agua. Luego, use una llave para desconectar el tubo de entrada de agua de la válvula de suministro de agua. Separe el tubo de entrada de agua de la válvula de suministro de agua y deje caer el agua en la cacerola **B**.
5. Quite la abrazadera de resorte del tubo de salida de agua y sepárelo de la válvula de suministro de agua; deje caer el agua en la cacerola.
6. Vuelva a conectar el tubo de entrada de agua y el tubo de salida de agua en la válvula de suministro de agua.
7. Vacíe la cacerola y vuelva a colocarla debajo de la bomba de agua.
8. Quite la abrazadera y desconecte la manguera de desagüe de la bomba de agua; deje caer el agua en la cacerola.
9. Vuelva a conectar la manguera de desagüe a la bomba de agua, asegurándose de colocar la abrazadera sobre la conexión.
10. Vuelva a colocar el panel de acceso inferior.



## Cómo volver a conectar el lavavajillas

1. Quite los 4 tornillos que están en el panel de acceso inferior y quite el panel.
2. Abra el suministro de agua hacia el lavavajillas.
3. Conecte el suministro eléctrico hacia el lavavajillas.
4. Ponga en marcha el lavavajillas un ciclo completo y revise si hay filtración.
5. Vuelva a colocar el panel de acceso inferior.

**NOTA:** Si su lavavajillas está conectado a un triturador de basura, no deje correr el agua en el fregadero después de preparar el lavavajillas para el invierno. Hacerlo podría llenar de agua la manguera de desagüe en su lavavajillas.

## Cómo guardar el lavavajillas en el verano

Proteja su lavavajillas durante los meses de verano como cerrando el suministro de agua y el suministro eléctrico hacia el lavavajillas.



## Consejos para lavar artículos especiales

Si tiene dudas sobre si puede lavar un artículo determinado, verifique con el fabricante si se trata de un artículo lavable en el lavavajillas.		
MATERIAL	¿LAVABLE EN EL LAVAVAJILLAS?	EXCEPCIONES/INFORMACIÓN ESPECIAL
Aluminio	Sí	La temperatura alta del agua y los detergentes pueden afectar el acabado del aluminio anodizado.
Botellas y latas	No	Lave las botellas y las latas a mano. Las etiquetas engomadas pueden soltarse en el lavavajillas. Las etiquetas sueltas y la goma pueden obstruir los brazos rociadores o la bomba y reducirán el rendimiento del lavavajillas.
Hierro fundido	No	Se perderá el curado y el hierro se oxidará.
Porcelana/Cerámica de gres	Sí	Revise siempre las recomendaciones del fabricante antes de lavar. Los diseños antiguos, pintados a mano o sobre glaseado se desteñirán. Las hojas doradas pueden perder color o intensidad.
Cristal	Sí	Revise siempre las recomendaciones del fabricante antes de lavar. Algunos tipos de cristal de sosa pueden corroerse después de varias lavadas.
Oro	No	Los cubiertos dorados perderán color.
Vidrio	Sí	Los vasos de leche se pondrán amarillentos después de varias lavadas en el lavavajillas.
Cuchillos con mango hueco	No	Los mangos de algunos cuchillos están fijados a la hoja con adhesivos que pueden aflojarse al ser lavados en el lavavajillas.
Peltre	No	Las temperaturas altas del agua y el detergente pueden decolorar o descascarar el acabado.
Plásticos desechables	No	No pueden resistir las temperaturas altas del agua y los detergentes.
Plásticos	Sí	Revise siempre las recomendaciones del fabricante antes de lavar. La capacidad de los plásticos para resistir las temperaturas altas del agua y los detergentes varía. Coloque los plásticos únicamente en la canasta superior.
Acero inoxidable	Sí	Haga correr un ciclo completo de Enjuague Rápido si no va a lavar inmediatamente. El contacto prolongado con los alimentos que contienen sal, vinagre, productos lácteos o jugos de fruta puede dañar el acabado.
Plata Sterling o con baño de plata	Sí	Haga correr un ciclo completo de Enjuague Rápido si no va a lavar inmediatamente. El contacto prolongado con los alimentos que contienen sal, ácido o sulfuro (huevos, mayonesa y mariscos) puede dañar el acabado.
Hojalata	No	Puede oxidarse.
Artículos de madera	No	Lávalos a mano. Revise siempre las recomendaciones del fabricante antes de lavar. La madera no tratada puede deformarse, agrietarse o perder el acabado.

# Diagnóstico y solución de problemas

## El lavavajillas no funciona debidamente

PROBLEMA ...	CAUSA ...	SOLUCIÓN ...
<b>El lavavajillas no funciona ni se detiene durante el ciclo</b>	La puerta no está cerrada	Asegúrese de que la puerta esté cerrada y asegurada con cerrojo.
	Se seleccionó el ciclo equivocado	Consulte la sección "Ciclos" en la página 13.
	El lavavajillas no está recibiendo suministro eléctrico o está recibiendo suministro inadecuado	Revise si se fundió o disparó un fusible o el disyuntor.
	El motor se detuvo debido a sobrecarga	El motor se reactivará automáticamente en unos minutos. Si no lo hace, llame para solicitar servicio.
	El lavavajillas no está recibiendo agua	Verifique que la llave de cierre manual (si ha sido instalada) esté encendida.
<b>El lavavajillas no se llena de agua</b>	Se trabó el interruptor de entrada de agua	Verifique que el interruptor de entrada de agua se mueva hacia arriba y hacia abajo con libertad. Oprima hacia abajo para liberarlo.
<b>El lavavajillas pasa mucho tiempo en marcha</b>	El agua que llega al lavavajillas no está lo suficientemente caliente	Es normal que el lavavajillas tome más tiempo cuando está calentando. Consulte la sección "Consejos sobre la temperatura del agua", página 12. <ul style="list-style-type: none"> <li>• Habrá un retraso durante el lavado principal si se selecciona la opción de Agua Caliente.</li> <li>• Habrá tres retrasos si se selecciona el ciclo de Ollas y Cazuelas.</li> <li>• El enjuague final se retrasará automáticamente hasta que la temperatura del agua alcance la temperatura adecuada para el ciclo.</li> </ul>
<b>Queda agua en el lavavajillas</b>	El ciclo no terminó	Espere que termine el ciclo.
<b>Queda detergente en la sección con tapa del depósito</b>	El ciclo no terminó	Espere que termine el ciclo.
	El detergente tiene grumos La canasta inferior se introdujo al revés	Reemplace el detergente con uno seco y sin grumos. Consulte la sección de "Piezas y características", página 3 y vuelva a instalar la canasta inferior si fuera necesario.
<b>Aparecen residuos blancos al frente del panel de acceso</b>	Se usó demasiado detergente La marca del detergente usado causa exceso de espuma	Consulte la sección "Cómo usar el depósito de detergente", página 10. Pruebe una marca diferente para reducir la espuma y eliminar la acumulación.
<b>Mal olor en el lavavajillas</b>	Los platos sólo se lavan cada 2-3 días	Haga correr un ciclo de Enjuague Rápido por lo menos dos veces al día hasta acumular una carga completa.
	Olor de plástico en el nuevo lavavajillas	Enjuague con vinagre, tal como se describe en la siguiente página.
<b>Condensación en la encimera de la cocina</b>	Humedad excesiva del orificio de ventilación en la consola del lavavajillas	La consola del lavavajillas debe estar alineada con la encimera. Consulte las instrucciones de instalación para más información.

continúa en la siguiente página

# Diagnóstico y solución de problemas (cont.)

## Los platos no quedan bien limpios

PROBLEMA ...	CAUSA ...	SOLUCIÓN ...
<b>Residuos de alimentos en los platos</b>	Los platos se colocan incorrectamente en el lavavajillas	Consulte la sección "Cómo cargar el lavavajillas", páginas 7 a 9.
	Temperatura del agua muy baja	Use la opción de Agua Caliente. Si fuera necesario, suba la temperatura del calentador de agua doméstico para asegurar que el agua que entra en el lavavajillas tenga una temperatura mínima de 49°C (120°F). Ver "Consejos sobre la temperatura del agua", página 12.
	Uso de detergente incorrecto, ineficaz o en cantidad insuficiente	Use únicamente detergentes recomendados para lavavajillas. Consulte la sección "Cómo usar el depósito de detergente", página 10. Nunca use menos de una cucharada por carga. El detergente debe estar fresco para ser eficaz. Guarde siempre el detergente en un área fría y seca.
	Detergente endurecido en el depósito	Use sólo detergente fresco. No permita que el detergente permanezca por varias horas en un depósito húmedo. Revise si hay detergente endurecido en el depósito. Limpie el depósito cuando haya detergente endurecido.
	La bomba o el brazo rociador está obstruido por las etiquetas de las botellas y latas	Quite las etiquetas antes de lavar las botellas y latas o lávelas a mano. Consulte la sección "Consejos para lavar artículos especiales", página 18.
	Nivel de agua insuficiente debido a baja presión del agua	La presión del agua de la vivienda debe ser de 138-828 kPa (20 a 120 libras por pulgada cuadrada) para que el lavavajillas alcance el nivel requerido de agua. Si la presión es muy baja, podría ser necesario usar una bomba intensificadora de presión en el suministro de agua.
	Disminución de la velocidad del brazo rociador debido al exceso de espuma	Nunca use jabón ni detergentes para lavar ropa. Use sólo detergentes para lavavajillas.

## Manchas en los platos

<b>Manchas o formación de película</b>	Agua dura o agua con alto contenido de minerales	Acondicionar el agua para el enjuague final con un agente de enjuague líquido ayuda a eliminar las manchas y la formación de películas. Mantenga siempre lleno el depósito con un agente de enjuague.
	Temperatura del agua muy baja	Use la opción de Agua Caliente. Si fuera necesario, suba la temperatura del calentador de agua doméstico para asegurar que el agua que entra en el lavavajillas tenga una temperatura mínima de 49°C (120°F). Ver "Consejos sobre la temperatura del agua", página 12.
	Uso de detergentes inadecuados	Use sólo detergentes recomendados para lavavajillas.
	Cantidad incorrecta de detergente	Consulte la sección "Cómo usar el depósito de detergente", página 10. Los platos muy sucios y/o el agua dura necesitan generalmente detergente adicional.
	Uso de detergentes ineficaces	El detergente debe estar fresco. Guárdelo en un lugar frío y seco, preferiblemente en un recipiente hermético. Deseche los detergentes grumosos.

# Diagnóstico y solución de problemas (cont.)

## Manchas en los platos. (cont.)

PROBLEMA ...	CAUSA ...	SOLUCIÓN ...
<b>Manchas o formación de película (cont.)</b>	Nivel insuficiente causado por baja presión de agua	<p>La presión del agua de la vivienda debe ser de 138-828 kPa (20 a 120 libras por pulgada cuadrada) para que el lavavajillas alcance el nivel requerido de agua. Si la presión es muy baja, podría ser necesario usar una bomba intensificadora de presión en el suministro de agua.</p> <p><b>NOTA:</b> Para eliminar las manchas y las películas de los platos, pruebe un enjuague con vinagre.</p> <ol style="list-style-type: none"> <li>1. Lave y enjuague como lo hace siempre usando la opción de Secado sin calor.</li> <li>2. Quite todos los objetos metálicos.</li> <li>3. Ponga 500 mL (2 tazas) de vinagre blanco en un recipiente en la canasta inferior.</li> <li>4. Active el ciclo de lavado completo. El vinagre se mezclará con el agua de lavar.</li> </ol>
<b>Película de sílice o corrosión</b> (la película de sílice es un depósito blanco e iridiscente; la corrosión es una película turbia).	Una reacción química al agua de ciertos tipos de objetos de cristal. Producida usualmente por una combinación de agua suave o suavizada, soluciones alcalinas para lavar, enjuague insuficiente, sobrecarga del lavavajillas y el calor del secado	Podría no ser posible evitar el problema excepto lavando a mano. Para retrasar este proceso, use una cantidad mínima de detergente pero no menos de una cucharada por carga. Use un agente de enjuague líquido y reduzca la carga de la máquina para permitir el enjuague completo. Las películas de sílice y la corrosión son permanentes y no pueden ser eliminadas. Use la opción de No Heat Dry (Secado sin Calor).
<b>Manchas blancas en las cacerolas con acabado antiadherente</b>	El revestimiento fue eliminado por los detergentes del lavavajillas	Vuelva a revestir las cacerolas después de lavarlas en el lavavajillas.
<b>Manchas color castaño en los platos y en el interior del lavavajillas</b>	Alto contenido de hierro en el suministro de agua	Elimine las manchas lavando los platos (después de eliminar las manchas de comida) con una cucharadita y una cucharada de cristales de ácido cítrico agregadas a la sección cubierta del depósito de detergente. No use detergente. A continuación use el ciclo de Lavado Normal con detergente. Si el tratamiento llega a ser necesario más de una vez cada dos meses, se recomienda instalar una unidad de eliminación de hierro.
<b>Marcas negras o grises en los platos</b>	Objetos de aluminio	Los objetos de aluminio deben ser colocados de manera que no se rocen con los platos durante el lavado. Los objetos de aluminio desechables no deben ser lavados en el lavavajillas porque pueden romperse y rayar los demás artículos. Las marcas de aluminio pueden eliminarse usando un limpiador abrasivo suave.
<b>Manchas anaranjadas en los platos plásticos o en el interior del lavavajillas</b>	Exceso de alimentos a base de tomate en los platos colocados en el lavavajillas	Las manchas pueden desaparecer gradualmente con el tiempo. El uso con regularidad del secado con calor puede retardar la desaparición de las manchas. Las manchas no afectarán el funcionamiento de la máquina. El uso con regularidad del ciclo de Enjuague Rápido o de la opción de Secado sin Calor reducirán la presencia de manchas.

continúa en la siguiente página

# Diagnóstico y solución de problemas (cont.)

## Los platos no quedan bien secos

PROBLEMA ...	CAUSA ...	SOLUCIÓN ...
Los platos no están secos	Los platos no se escurren debidamente	Los platos deben tener el debido desagüe para el agua. No recargue el lavavajillas. Consulte la sección "Cómo cargar el lavavajillas", páginas 7 a 9. Use un agente de enjuague líquido para acelerar el secado.
	Plásticos	Algunos plásticos, debido al material, podrían tener que ser secados con toalla.
	El depósito del agente de enjuague está vacío	Consulte la sección "Cómo usar el depósito de agente de enjuague", página 11.
	Se usó la opción de Secado sin Calor	No use la opción de Secado sin Calor.

## Los platos se dañan durante el ciclo

Platos cascados	Los platos se colocaron incorrectamente en el lavavajillas.	<p>Coloque los platos y los vasos de manera que permanezcan estables y no choquen unos contra otros por la acción del lavado. Sacar y meter las canastas despacio reduce también la posibilidad de que los platos y los vasos se casquen.</p> <p><b>NOTA:</b> algunas clases de porcelana y objetos de cristal son muy delicados para ser lavados en el lavavajillas automático y deben ser lavados a mano; por ejemplo, objetos antiguos, cristales de filo fino (en bisel) y artículos similares.</p>
-----------------	---	---

## Ruidos

Se escuchan chirridos, crujidos o zumbidos	¿Ha penetrado un objeto duro en el módulo de Ultra Wash?	El sonido debe cesar cuando el objeto es pulverizado.
--	--	---

# Servimos lo que vendemos

“Servimos lo que vendemos” es nuestra garantía de que usted puede confiar en que Sears le brindará servicios de reparación. Su lavavajillas tiene valor agregado cuando usted toma en cuenta que Sears tiene unidades de servicio por toda la nación, con técnicos profesionales específicamente capacitados en aparatos electrodomésticos SEARS, con las partes, herramientas y equipos necesarios para asegurar que cumpliremos nuestro compromiso con usted de ... “Servimos lo que vendemos”.

## **Contrato de Mantenimiento Sears**

Conserve el valor de su lavavajillas KENMORE con un Contrato de Mantenimiento Sears. Los lavavajillas Sears están diseñados, fabricados y probados para muchos años de funcionamiento fiable. Aun así, cualquier aparato electrodoméstico moderno puede necesitar servicio de vez en cuando.

### **El Contrato de Mantenimiento de Sears:**

- Es su forma de adquirir los servicios de mañana a los precios de hoy.
- Elimina las facturas por reparaciones que resultan del uso normal.
- Le permite todas las llamadas de servicio que necesite.
- Brinda servicio por Técnicos profesionales capacitados por Sears.
- Aun si no necesita reparaciones, el Contrato de Mantenimiento le ofrece una revisión preventiva de mantenimiento anual cuando usted la solicite.

Este Contrato de Mantenimiento no cubre la instalación original, la reinstalación o daños provenientes de causas externas, tales como actos de abuso, robo, incendio, inundación, viento, relámpagos, congelación, una falla o reducción del suministro eléctrico, etc.

### **Para adaptar su lavavajillas, usted puede pedir:**

- Accesorios para puertas y paneles de acceso en colores
- Accesorios de resguardo para paneles de madera personalizados que hagan juego con el color de su lavavajillas

Para más información, consulte la última página de las instrucciones de instalación que vienen con su lavavajillas.

# Notas

# Table des matières

	Page		Page
Garantie du lave-vaisselle Sears .....	1	<b>Votre contribution au lavage de la vaisselle</b>	
La sécurité du lave-vaisselle .....	2	Utilisation du distributeur de détergent .....	10
Composants et caractéristiques .....	3	Quantité de détergent à utiliser .....	10
De système d'élimination des solides ULTRA WASH* ....	4	Utilisation du distributeur d'agent de rinçage .....	11
<b>Guide de mise en service</b>		Conseils au sujet de la température de l'eau.....	12
Avant d'utiliser votre lave-vaisselle .....	5	Programmes .....	13
Mise en marche du lave-vaisselle pour		Options .....	15
l'utilisation quotidienne .....	6	Fonctions spéciales .....	16
<b>Chargement du lave-vaisselle</b>		<b>Entretien du lave-vaisselle</b>	
Préparation avant le chargement		Nettoyage du lave-vaisselle .....	17
du lave-vaisselle .....	7	Remisage du lave-vaisselle .....	18
Chargement du panier supérieur .....	7	Conseils pour le lavage d'articles spéciaux .....	19
Chargement du panier inférieur .....	8	<b>Guide de diagnostic</b> .....	21
Chargement du panier à couverts .....	9	<b>Nous assurons le service pour les produits que</b>	
Conseils pour le fonctionnement silencieux .....	9	<b>nous vendons</b> .....	25

## Garantie du lave-vaisselle Sears

### **GARANTIE COMPLÈTE D'UN AN SUR LES LAVE-VAISSELLE ULTRA WASH\* KENMORE DE LA SÉRIE 800**

Pendant un an à compter de la date d'achat, lorsque le lave-vaisselle est installé et fonctionne conformément aux instructions fournies dans les instructions d'installation et le manuel du propriétaire, Sears réparera, sans frais, les défauts de matériaux ou de main-d'oeuvre.

### **GARANTIE COMPLÈTE DE DEUX ANS SUR LE TABLEAU DE COMMANDE ÉLECTRONIQUE ET D'ALIMENTATION ÉLECTRIQUE**

Pendant deux ans à compter de la date d'achat, lorsque le lave-vaisselle est installé et fonctionne conformément aux instructions fournies dans les instructions d'installation et le manuel du propriétaire, Sears réparera, sans frais, le module électronique et le tableau d'alimentation électrique s'il existe des défauts de matériaux ou de main-d'oeuvre.

### **GARANTIE COMPLÈTE PENDANT LA DURÉE DU LAVE-VAISSELLE SUR LES MODÈLES AVEC CUVE ULTRA LIFE\*, CONTRE LES FUITES DANS LA CUVE ET LE PANNEAU INTERNE DE LA PORTE**

Pendant toute la durée du lave-vaisselle, si une fuite survient à la suite d'une déficience de la cuve en polypropylène ou du panneau interne de la porte, attribuable à une fissure ou écaillage, Sears remplacera, sans frais, la cuve ou le panneau interne de la porte.

### **GARANTIE LIMITÉE DE DEUX ANS SUR LE SYSTÈME DE LAVAGE ULTRA WASH\***

Après la première année et jusqu'à deux ans à compter de la date d'achat, lorsque le lave-vaisselle est installé et fonctionne conformément aux instructions fournies dans les instructions d'installation et le manuel du propriétaire, Sears fournira sans frais, les pièces de remplacement pour tout composant du système de lavage ULTRA WASH (moteur, pompe, bras d'aspersion, tube de distribution d'eau ULTRAFLOW\*, joints de moteur et joint de pompe) qui est attribuable à des matériaux ou une main-d'oeuvre défectueuse. Le client assume tous les frais de main-d'oeuvre associés au remplacement de ces pièces.

Si le lave-vaisselle est soumis à une utilisation autre que pour une famille privée, la garantie ci-dessus est en vigueur pendant 90 jours seulement.

LE SERVICE DE GARANTIE EST DISPONIBLE DU CENTRE DE SERVICE LE PLUS PROCHE AUX ÉTATS-UNIS OU AU CANADA. Cette garantie s'applique seulement lorsque le produit est en service aux États-Unis ou au Canada. Cette garantie vous confère des droits juridiques spécifiques et vous pouvez également bénéficier d'autres droits variables d'un état à l'autre ou d'une province à l'autre.

Sears, Roebuck and Co.  
Dép. 817WA, Hoffman Estates, IL 60179

Sears Canada, Inc.  
Toronto, Ontario, Canada M5B 2B8

\* Marque de commerce



# La sécurité du lave-vaisselle

## Votre sécurité et celle des autres est très importante.

Nous donnons de nombreux messages de sécurité importants dans ce manuel et sur votre appareil ménager. Assurez-vous de toujours lire tous les messages de sécurité et de vous y conformer.



Voici le symbole d'alerte de sécurité.

Ce symbole d'alerte de sécurité vous signale les dangers susceptibles de causer le décès et des blessures graves à vous et à d'autres.

Tous les messages de sécurité seront précédés du symbole d'alerte de sécurité et du mot "DANGER" ou "AVERTISSEMENT." Ces mots signifient :

**⚠ DANGER**

Risque certain de décès ou de blessure grave si vous ne suivez pas les instructions.

**⚠ AVERTISSEMENT**

Risque possible de décès ou de blessure grave si vous ne suivez pas les instructions.

Tous les messages de sécurité identifient le danger et vous disent comment réduire le risque de blessure et ce qui peut se produire en cas de non-respect des instructions.

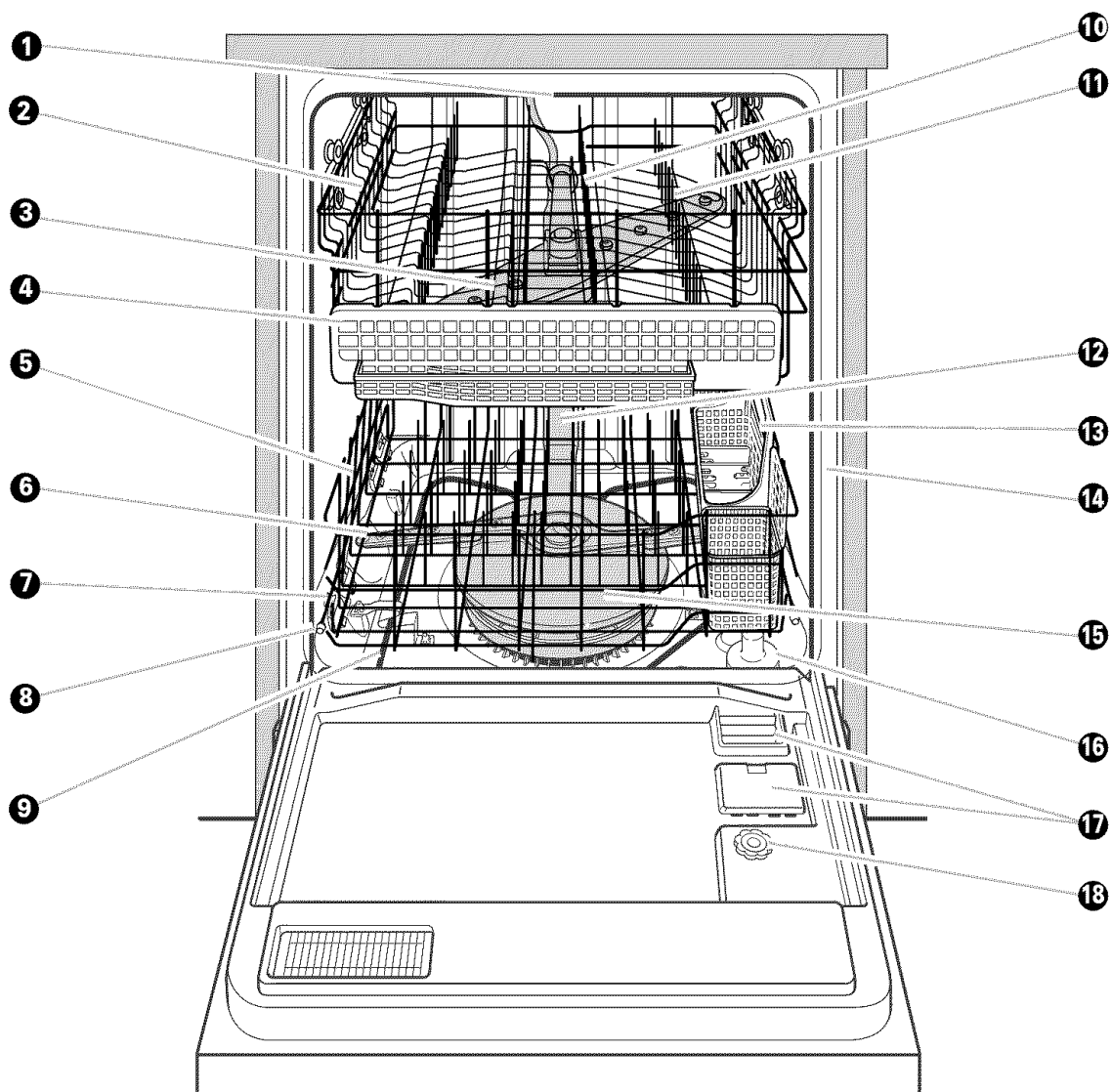
## IMPORTANTES INSTRUCTIONS DE SÉCURITÉ

**AVERTISSEMENT :** Lors de l'utilisation du lave-vaisselle, suivre les précautions élémentaires dont les suivantes :

- Lire la totalité des instructions avant d'utiliser le lave-vaisselle.
- N'utiliser le lave-vaisselle que pour laver la vaisselle.
- Utiliser les détergers ou agents de rinçage recommandés pour lave-vaisselle et les garder hors de la portée des enfants.
- Lorsque vous chargez le lave-vaisselle :
  - 1) Placer les objets coupants de façon qu'ils ne puissent endommager le joint de la porte; et
  - 2) Placer les couteaux le manche vers le haut de façon à ne pas vous couper.
- Ne pas laver d'articles en plastique à moins qu'ils ne soient marqués "Peut aller au lave-vaisselle" ou l'équivalent. Si l'article ne porte aucune indication, vérifier auprès du fabricant.
- Ne pas toucher l'élément chauffant pendant le fonctionnement ou immédiatement après.
- Ne pas faire fonctionner le lave-vaisselle si tous le panneaux de l'enceinte ne sont pas en place.
- Ne pas jouer avec les commandes.
- Ne pas abuser, ni vous asseoir ni monter sur la porte ou les paniers du lave-vaisselle.
- Pour éviter tout risque d'accident, ne pas laisser les enfants jouer dans ou sur le lave-vaisselle.
- Sous certaines conditions, de l'hydrogène peut se former dans un réseau d'eau chaude inutilisé depuis deux semaines ou plus. L'HYDROGÈNE EST UN GAZ EXPLOSIBLE. Si le système d'eau chaude n'a pas été utilisé depuis un certain temps, laisser couler l'eau chaude des robinets pendant quelques minutes avant de faire fonctionner le lave-vaisselle. Cette mesure permettra à l'hydrogène de s'évaporer. Ce gaz étant inflammable, ne pas fumer ni utiliser de flamme nue pendant cette période.
- Enlever la porte du lave-vaisselle lorsque vous le remplacez ou le mettez au rebut.

**CONSERVEZ CES INSTRUCTIONS**

# Composants et caractéristiques



- |  |  |
|--|--|
| ① Arrosage troisième niveau                | ⑩ Agrafe(s) de retenue NO-FLIP* (p. 8)                                       |
| ② Panier supérieur (p. 7)                  | ⑪ Tiges rabattables (p. 8)   |
| ③ Bras d'aspersion supérieur               | ⑫ Tube d'arrivée d'eau ULTRAFLOW*  |
| ④ Panier à ustensiles (p. 8)               | ⑬ Panier à couverts (p. 9)   |
| ⑤ Panier inférieur (p. 8)                  | ⑭ Plaque signalétique - numéro de modèle et numéro de série (sur côté droit) |
| ⑥ Bras d'aspersion inférieur               | ⑮ Module ULTRA WASH* (p. 4)  |
| ⑦ Arrivée d'eau [dans la paroi de la cuve] | ⑯ Dispositif de protection contre débordement                                |
| ⑧ Pare-chocs                               | ⑰ Distributeur de détergent (p. 10)  |
| ⑨ Élément chauffant                        | ⑱ Distributeur d'agent de rinçage (p. 11)                                    |

## Caractéristiques supplémentaires possibles de votre lave-vaisselle :

Panier pour petits articles (p. 8)

# De système d'élimination des solides ULTRA WASH\*

Le nouveau système ULTRA WASH d'élimination des solides de votre lave-vaisselle, est conçu pour la production d'une vaisselle étincelante en un minimum de temps et avec le minimum de consommation d'énergie.

Le système ULTRA WASH comprend :

- Un broyeur pour service rigoureux capable de broyer et d'éliminer de grosses particules de produits alimentaires.
- Un capteur étroit ULTRA WASH qui détermine la concentration de saletés dans la charge et ajuste le programme en conséquence.

## Mode de fonctionnement du système d'élimination des solides ULTRA WASH :

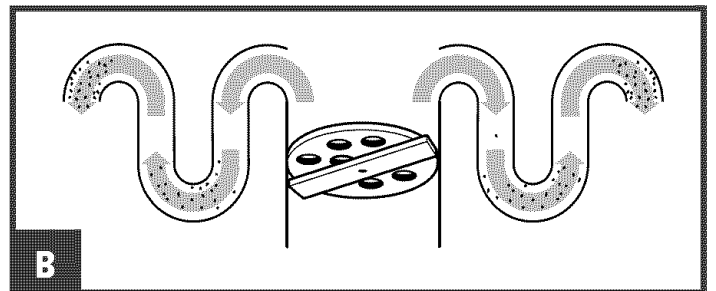
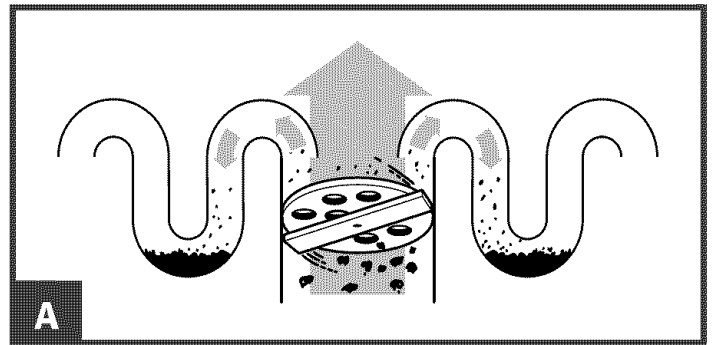
1. Lors du chargement du lave-vaisselle, il suffit d'éliminer de la vaisselle les os, les gros morceaux d'aliments et les résidus séchés sur place. Tous les autres résidus alimentaires seront broyés et éliminés.
2. L'eau chaude remplit le lave-vaisselle jusqu'à un niveau proche de la base du dispositif de protection contre le débordement.
3. Lors du chauffage de l'eau, le témoin de chauffage de l'eau du tableau de commande est illuminé et le décompte du temps sur l'afficheur électronique est interrompu.
4. Lorsque l'eau atteint la température appropriée, le témoin de chauffage de l'eau s'éteint et le décompte du temps d'exécution du programme reprend.
5. Le détergent est ajouté au moment opportun à partir du distributeur de détergent, et la pompe ULTRA WASH fait circuler l'eau chaude.
6. Le lave-vaisselle asperge les surfaces salies de la vaisselle, des couverts et des ustensiles à l'aide d'un mélange d'eau chaude et de détergent qui enlève les particules alimentaires, au moyen de deux bras d'aspersion.
7. Les débris alimentaires sont accumulés et retenus dans une cavité spéciale du lave-vaisselle pour qu'ils ne puissent circuler de nouveau dans le lave-vaisselle.
8. La pompe ULTRA WASH fait de nouveau circuler l'eau pour que les particules alimentaires soient séparées de l'eau et retenues dans la chambre d'accumulation **A**.
9. Les débris accumulés par le système d'élimination ULTRA WASH sont rejetés à l'égout avec l'eau de lavage **B**.
10. De l'eau chaude propre pénètre dans le lave-vaisselle et est aspergée sur la vaisselle pour la rincer; l'eau de rinçage est pompée à travers le système ULTRA WASH et elle enlève les derniers résidus.

11. Les résidus alimentaires retenus par le système d'élimination ULTRA WASH sont rejetés à l'égout avec l'eau de rinçage.

12. L'eau du rinçage final est chauffée et un agent de rinçage est ajouté, ce qui facilite le séchage de la vaisselle.

## Ajustement du programme par le détecteur ULTRA WASH :

- Lorsque le témoin du détecteur est illuminé sur le tableau de commande, le détecteur du système ULTRA WASH mesure la quantité de débris alimentaires dans le lave-vaisselle.
- Après la détermination de la quantité de débris, le lave-vaisselle peut omettre toute opération non nécessaire du programme. Le décompte affiché du temps d'exécution s'ajuste automatiquement.
- Pour une charge de vaisselle peu sale, le lave-vaisselle remplace moins fréquemment l'eau et réduit la durée du programme. Exemple : un programme normal de 90 minutes et avec peu de saleté sera exécuté comme un programme normal de 70 minutes (y compris temps de séchage).



# Guide de mise en service

## Avant d'utiliser votre lave-vaisselle

### ⚠ AVERTISSEMENT



#### Risque de basculement

Ne pas utiliser le lave-vaisselle jusqu'à ce qu'il soit complètement installé.

Ne pas appuyer sur la porte ouverte.

Le non-respect de ces instructions peut causer des blessures graves ou des coupures.

### ⚠ AVERTISSEMENT



#### Risque de choc électrique

Relier le lave-vaisselle à la terre d'une méthode électrique.

Brancher le fil relié à la terre au connecteur vert relié à la terre dans le boîte de la borne.

Ne pas utiliser un câble de rallonge.

Le non-respect de ces instructions peut causer un décès, un incendie ou un choc électrique.

### INSTRUCTIONS DE MISE À LA TERRE

#### • Pour un lave-vaisselle relié à la terre, branché avec un cordon :

Le lave-vaisselle doit être relié à la terre. En cas d'un mauvais fonctionnement ou d'une panne, la mise à terre aller réduira le risque d'un choc électrique en fournissant le moins de résistance pour le courant électrique. Le lave-vaisselle est équipé d'un cordon avec un conducteur pour relier les appareils à la terre. La fiche doit être branchée sur appropriée, installée et reliée à la terre conformément aux codes et règlements locaux.

**AVERTISSEMENT** : La connexion incorrecte du conducteur pour relier les appareils peut

causer le risque de choc électrique. Vérifier avec un électricien compétent ou un représentant de service si vous avez des doutes si le lave-vaisselle est correctement relié à la terre. Ne pas modifier la fiche fournie avec le lave-vaisselle; si elle n'entre pas dans le prise, faire installer une prise appropriée par un électricien compétent.

#### • Pour un lave-vaisselle branché en permanence :

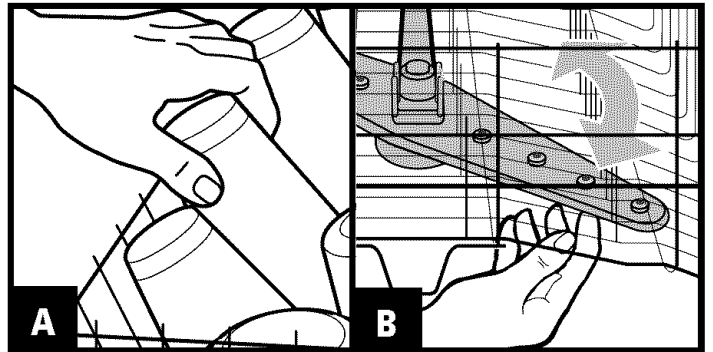
Le lave-vaisselle doit être branché à un système d'installation électrique permanent en métal relié à la terre, ou un conducteur pour relier les appareils doit être relié avec les conducteurs du circuit et branché à une borne pour relier les appareils à la terre ou au cordon d'alimentation électrique avec le lave-vaisselle.

**CONSERVEZ CES INSTRUCTIONS**

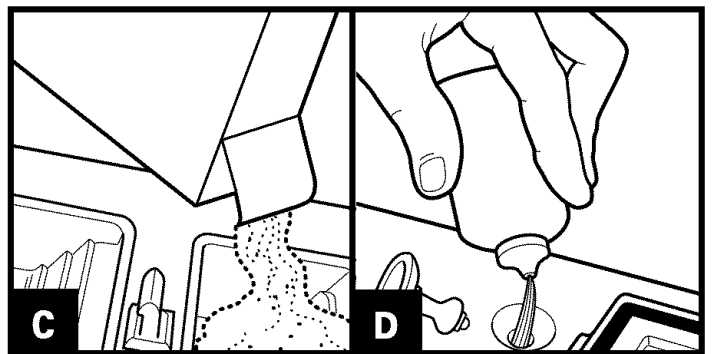
# Mise en marche du lave-vaisselle pour l'utilisation quotidienne

Voici une bonne description des opérations de chargement et d'utilisation du lave-vaisselle. On trouve aux pages indiquées en référence une description plus détaillée de chaque étape.

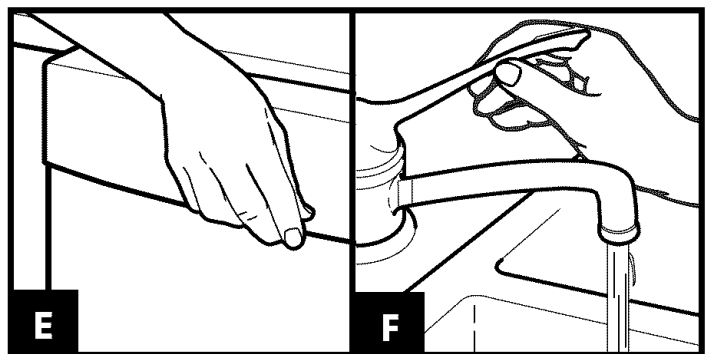
1. Le système d'élimination des débris ULTRA WASH\* est conçu pour la séparation des particules alimentaires de l'eau de lavage et de rinçage. Il suffit d'enlever de la vaisselle les os et les gros morceaux d'aliments.
2. Charger convenablement le lave-vaisselle **A**. Veiller à ce que rien n'entrave la rotation libre des bras d'aspersion de la vaisselle **B**. Voir page 7.



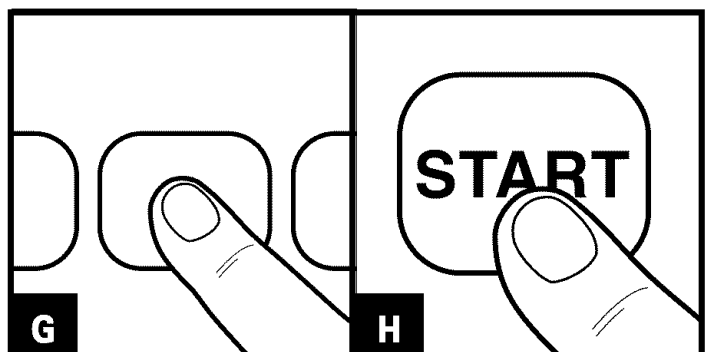
3. Ajouter le détergent à vaisselle **C** et contrôler le niveau d'agent de rinçage dans le distributeur. Ajouter quisiq de rinçage **D** si nécessaire. Voir pages 10 et 11.



4. Bien fermer la porte **E**. Le verrou de la porte s'engage automatiquement. Faire couler l'eau chaude dans l'évier le plus proche du lave-vaisselle jusqu'à ce que de l'eau très chaude s'écoule **F**. Fermer le robinet. Voir page 12.



5. À l'aide des touches du tableau de commande, sélectionner le programme et les options appropriés **G**. Voir pages 13 à 15. Appuyer sur la touche de mise en marche **H**.



# Chargement du lave-vaisselle

## Préparation avant le chargement du lave-vaisselle

- Pour obtenir les meilleurs résultats de lavage, il convient de charger convenablement le lave-vaisselle. Un chargement incorrect peut être la cause d'un lavage déficient, ce qui nécessite un relavage partiel ou total de la vaisselle.
- Laver une charge complète. On consomme la même quantité d'énergie et d'eau chaude pour un lavage, que le lave-vaisselle soit rempli complètement ou à moitié.
- Pour économiser l'eau et l'énergie, ne pas rincer la vaisselle avant de la placer dans le lave-vaisselle.
- Enlever de la vaisselle les gros morceaux d'aliments, noyaux de fruits, os et autres articles durs. Le module ULTRA WASH\* sépare les particules alimentaires de l'eau. Le module contient un dispositif de hachage qui réduit la taille des particules alimentaires.

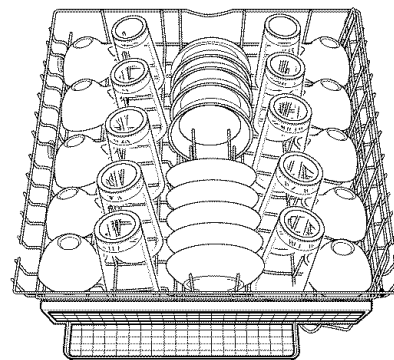
**REMARQUE :** Si des articles durs comme graines de fruits, noix, coquilles d'œufs pénètrent dans le module ULTRA WASH, on peut entendre le bruit généré par les opérations de hachage et broyage. De tels sons sont normaux lorsque des articles durs pénètrent dans le module. **Ne pas** laisser des articles métalliques (comme des vis de poignée d'ustensiles) pénétrer dans le module ULTRA WASH. Ils pourraient endommager le module ULTRA WASH.

- L'élimination de résidus alimentaires comme les œufs, riz, pâtes, épinards et céréales cuites peut être difficile si on laisse ces produits sécher pendant quelque temps. Exécuter un programme de rinçage rapide pour maintenir la vaisselle humide si on ne prévoit pas de la laver immédiatement.
- Charger la vaisselle de telle manière que les surfaces sales soient orientées vers les bras d'aspersion rotatives.
- Si possible, charger les articles de telle manière qu'ils ne sont pas empilés ou en chevauchement. Pour l'obtention du meilleur nettoyage, il est important que les eaux puissent atteindre toutes les surfaces sales. Pour l'obtention du meilleur séchage, il faut que l'eau puisse s'écouler de toutes les surfaces.

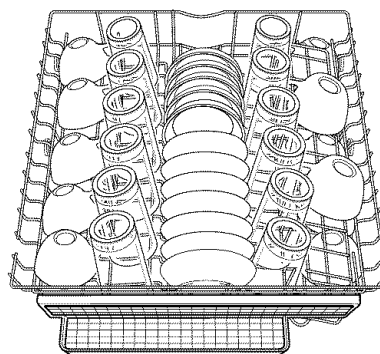
## Chargement du panier supérieur

Le panier supérieur est conçu pour le chargement des tasses, verres et petits articles. (Voir les types de charges recommandées ci-dessous.)

**REMARQUE :** Les caractéristiques du bac de votre laveuse à vaisselle peuvent être différentes des croquis ci-dessous.



Charge de 10 services



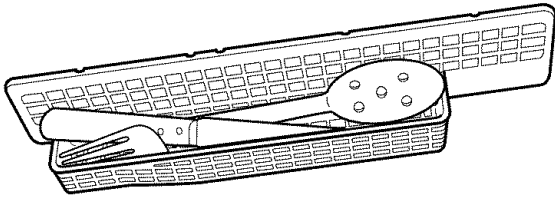
Charge de 12 services

- Pour favoriser le nettoyage et le drainage, orienter la cavité ouverte de ces articles vers le bas.
- Charger les verres dans le panier supérieur seulement. Le panier inférieur n'est pas conçu pour les verres; ils pourraient y subir des dommages.
- Placer les tasses et verres dans les rangées entre les tiges. Ces articles placés sur les tiges peuvent subir des dommages.
- Immobiliser les articles légers.
- Veiller à ce qu'il n'y ait aucun contact entre les articles de porcelaine, le cristal et autres articles délicats. Ils pourraient subir des dommages.
- Charger les articles de plastique dans le panier supérieur seulement. Ne laver des articles de plastique au lave-vaisselle que s'ils sont identifiés comme "lavables au lave-vaisselle".
- Placer les articles de plastique de telle manière qu'ils ne puissent se déplacer au cours du lavage sous la pression des jets d'eau.
- Pour éviter l'écaillage de vaisselle, veiller à ce que les articles à tige ne touchent aucun autre article.
- On peut placer dans le panier supérieur de petits bols ou moules et autres petits ustensiles.

## Chargement du panier supérieur (suite)

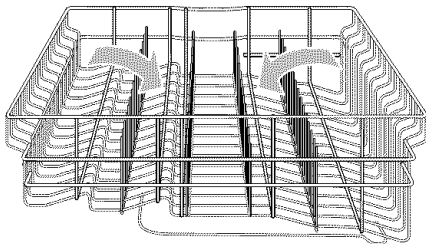
### Panier à ustensiles

Placer dans ce petit panier pratique fixé au panier supérieur les spatules, cuillers en bois et articles similaires.



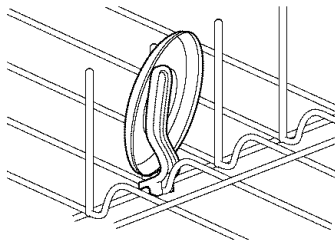
### Tiges rabattables

Rabattre complètement les tiges de séparation articulées du panier supérieur pour pouvoir y placer des articles de plus grande taille.



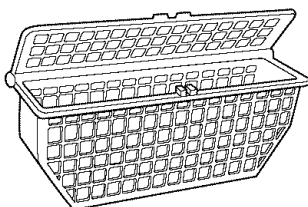
### Agrafe(s) de retenue NO-FLIP\*

Utiliser les agrafes de retenue NO-FLIP pour retenir les articles légers ou de petite taille pendant le lavage.



### Panier pour petits articles (sur certain modèles)

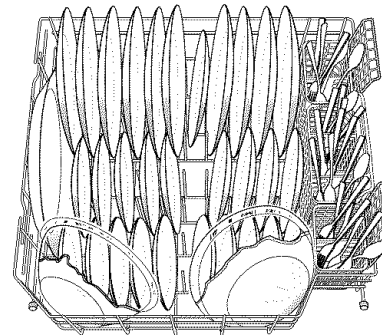
Ce panier convient dans le panier supérieur. L'utiliser pour contenir de petits articles qui pourraient autrement "se répandre" à l'intérieur du lave-vaisselle au cours d'un programme.



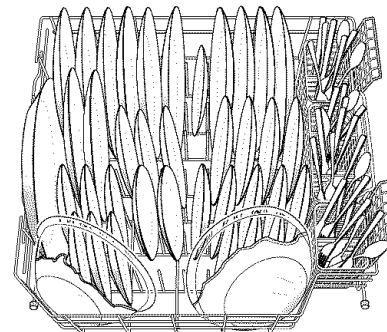
## Chargement du panier inférieur

Charger dans le panier inférieur les articles sur lesquels des produits alimentaires ont cuit ou séché; orienter la surface sale vers l'intérieur, vers le bras d'aspersion. (Voir les types de charges recommandées ci-dessous).

**REMARQUE :** Les caractéristiques du bac de votre laveuse à vaisselle peuvent être différentes des croquis ci-dessous.



Charge de 10 services

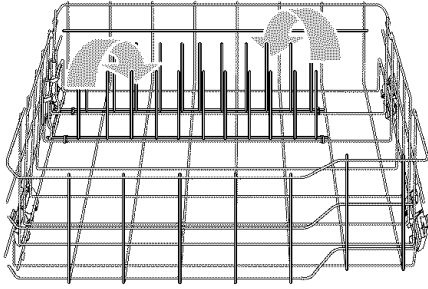


Charge de 12 services

- Ne pas charger dans le panier inférieur des articles comme verres, tasses ou articles de plastique.
- Placer les assiettes, verres, bols à soupe, etc. entre les tiges de séparation; orienter ces articles vers l'intérieur, vers les bras d'aspersion.
- Pour une charge importante, placer les bords des assiettes en chevauchement.
- Immobiliser les ustensiles de cuisson dans le panier, cavité vers le bas.
- Veiller à ce que les poignées des ustensiles et autres articles n'entravent pas la rotation des bras d'aspersion inférieur et supérieur. Il faut que les bras d'aspersion puissent tourner librement.

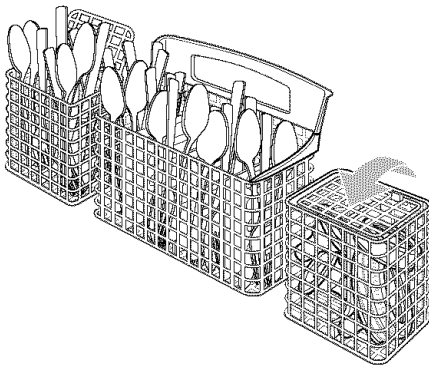
## Tiges de séparation rabattables

À l'arrière du panier, on peut rabattre une rangée de tiges de séparation articulées pour ménager suffisamment de place pour les articles volumineux comme grands bols, plats à rôtir, et autres.



## Chargement du panier à couverts

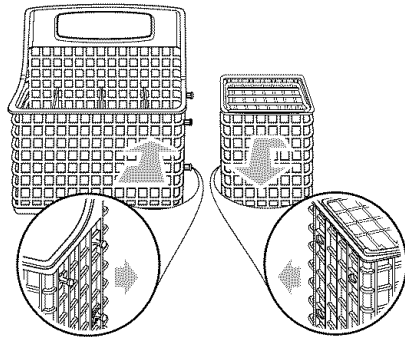
- Charger le panier à couverts alors qu'il est installé dans le panier inférieur, ou bien retirer le panier à couverts et le charger sur un comptoir ou une table.  
**REMARQUE :** On peut facilement retirer le panier à couverts. On devrait toujours décharger ou retirer le panier à couverts avant de décharger les grands paniers du lave-vaisselle, pour éviter de projeter des gouttelettes d'eau sur les couverts.
- Placer les petits articles (tétines de biberon, couvercles de pot à confiture, etc.), dans la section dotée d'un couvercle articulé. Fermer le couvercle de cette section pour y emprisonner les articles de petite taille.



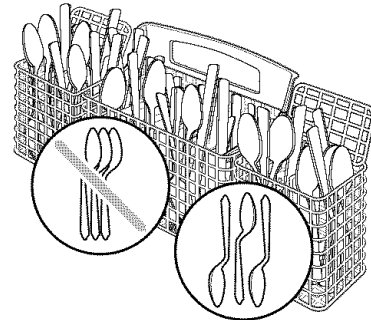
- On peut séparer les deux petits paniers du plus grand panier pour placer le petit panier ailleurs dans le panier principal supérieur ou inférieur du lave-vaisselle.

## Extraction d'un petit panier :

1. Retenir le panier central d'une main et saisir l'un des petits paniers avec l'autre main.
2. Faire coulisser le petit panier pour le dégrafer (système d'onglets et fentes).
3. Séparer les paniers.



- Dans chaque section du panier à couverts, orienter certains articles vers le haut et d'autres vers le bas, pour éviter qu'ils s'imbriquent entre eux. Les jets d'eau ne peuvent atteindre les surfaces sales des articles imbriqués.  
**IMPORTANT :** Veiller à toujours orienter vers le bas la pointe des articles pointus ou acérés (couteaux, brochettes, fourchettes, etc.).



## Conseils pour le fonctionnement silencieux

### Pour éviter que l'appareil émette des bruits de choc et cliquetis au cours du fonctionnement :

- Veiller à ce que les articles légers de la charge soient immobilisés dans le panier.
- Veiller à ce que les couvercles et poignées de casseroles, tôles à pizza, tôles à biscuits, etc. ne touchent pas les parois internes du lave-vaisselle et n'entravent pas la rotation des bras d'aspersion.
- Charger les divers articles de telle manière qu'ils ne se touchent pas entre eux.

**REMARQUE :** Boucher les orifices d'évacuation des égiers avec leurs bondes pendant les opérations de lavage pour éviter le transfert des bruits par les canalisations.



# Votre contribution au lavage de la vaisselle

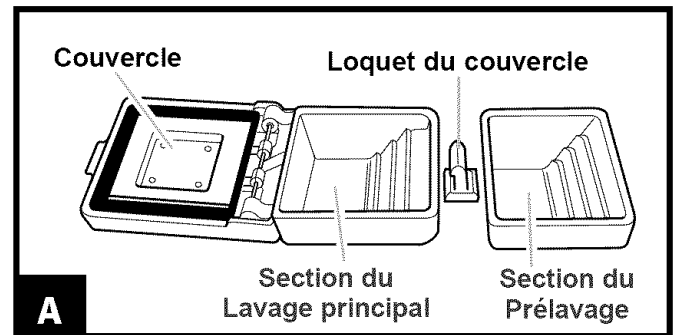
## Utilisation du distributeur de détergent

- Utiliser uniquement un détergent pour lave-vaisselle automatique. Les autres détergents ne sont pas assez puissants, et ils sont trop mousseux.
- Ajouter le détergent juste avant la mise en marche du programme.
- Remiser le paquet de détergent bien fermé en un lieu frais et sec. Un détergent frais pour lave-vaisselle automatique produit un meilleur nettoyage.

## Remplissage du distributeur de détergent

Le distributeur de détergent **A** comporte une section dotée d'un couvercle, et une section sans couvercle. Appuyer fermement sur le couvercle pour engager le loquet. Le détergent placé dans la section ouverte tombe dans la cuve du lave-vaisselle lors de la fermeture de la porte. La section dotée d'un couvercle s'ouvre automatiquement avant l'opération de lavage principal. Il est normal que le couvercle s'ouvre partiellement pour la distribution du détergent.

**REMARQUE :** Utiliser les deux sections pour un programme comportant deux phases de lavage. Utiliser seulement la section dotée d'un couvercle pour un programme comportant une seule opération de lavage. Pour les détails, voir le tableau des programmes.



## Quantité de détergent à utiliser

- La quantité de détergent à utiliser dépend de la dureté de l'eau et du type du détergent. Si on utilise trop peu de détergent, la vaisselle ne sera pas parfaitement propre. Si on utilise trop de détergent dans une eau douce, le détergent provoquera une attaque superficielle du verre.
- Pour déterminer la dureté de l'eau, consulter le département des adoucisseurs d'eau du magasin Sears local, ou le service local de distribution d'eau.

DURETÉ DE L'EAU	QUANTITÉ DE DÉTERGENT
Eau douce ou moyennement dure 0 à 6 grains par gallon	<b>Pour une charge normale :</b> <ul style="list-style-type: none"><li>• Remplir partiellement la section "Lavage Principal" (30 grammes ou 2 c. à soupe)</li><li>• Remplir la section "Prélavage" (30 grammes ou 2 c. à soupe)</li></ul> <b>REMARQUE :</b> Ajouter seulement 15 grammes ou 1 c. à soupe de détergent dans la section "Prélavage" si la vaisselle a déjà été pré rincée ou si l'eau est très douce.
Eau de dureté moyenne à élevée 7 à 12 grains par gallon	<b>Pour une charge de vaisselle très souillée :</b> <ul style="list-style-type: none"><li>• Remplir la section "Lavage Principal" (45 grammes ou 3 c. à soupe)</li><li>• Remplir la section "Prélavage" (30 grammes ou 2 c. à soupe)</li></ul> <b>Pour une charge normale et très souillée :</b> <ul style="list-style-type: none"><li>• Remplir la section "Lavage Principal" (45 grammes ou 3 c. à soupe)</li><li>• Remplir la section "Prélavage" (30 grammes ou 2 c. à soupe)</li></ul>

**REMARQUE :** Les quantités de détergent indiquées ici correspondent à un détergent en poudre standard. La quantité à utiliser peut varier si on utilise un détergent liquide ou un détergent en poudre concentré. Lors de l'emploi d'un détergent liquide ou d'un détergent en poudre concentré pour lave-vaisselle, observer les instructions présentées sur l'emballage.

# Utilisation du distributeur d'agent de rinçage

Un agent de rinçage améliore considérablement le séchage de la vaisselle et combat la formation de traces de séchage (taches ou coulées). L'agent de rinçage facilite l'écoulement de l'eau sur les surfaces de la vaisselle et empêche l'eau de former des gouttelettes. Une petite quantité d'agent de rinçage est automatiquement introduite dans l'eau du rinçage final.

**Maintenir le distributeur d'agent de rinçage rempli d'un agent de rinçage liquide.** Pour obtenir les meilleurs résultats de séchage, contrôler périodiquement le niveau de l'agent de rinçage dans le distributeur pour savoir s'il doit être rempli :

- Examiner la zone centrale du bouchon indicateur **A** . La transparence indique un besoin de remplissage.

**OU**

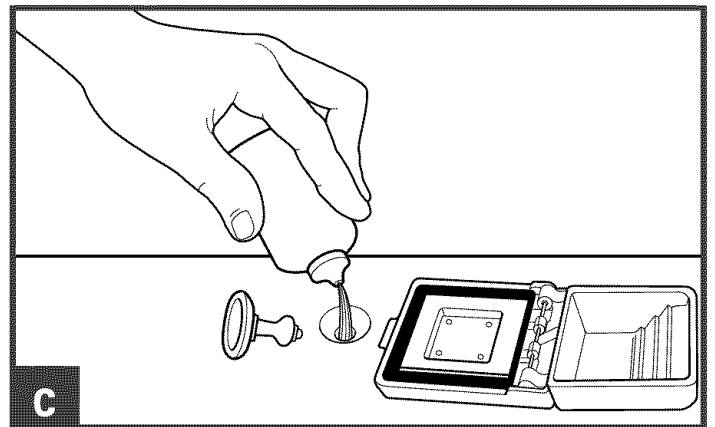
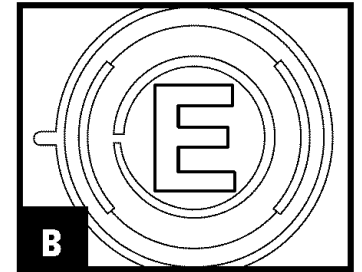
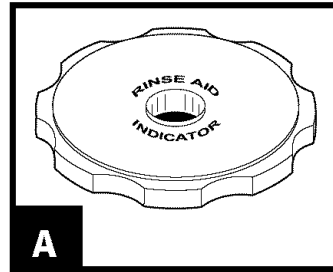
- Retirer le bouchon-indicateur. Une lettre "E" est visible au fond du distributeur lorsqu'il est vide **B** .

**Remplissage du distributeur :**

1. Ouvrir complètement la porte du lave-vaisselle.
2. Retirer le bouchon indicateur de l'agent de rinçage du distributeur.
3. Verser l'agent de rinçage **C** . Remplir seulement jusqu'à l'ouverture la plus petite dans la partie inférieure du distributeur. Un remplissage excessif suscitera une fuite de l'agent de rinçage. Ceci est sans danger pour le lave-vaisselle, mais peut susciter un moussage excessif.
4. Absorber tout agent de rinçage renversé avec un chiffon humide.
5. Réinstaller le bouchon-indicateur du distributeur. Veiller à ce qu'il soit bien serré.

**REMARQUES :**

- Le lave-vaisselle est conçu pour l'utilisation d'un agent de rinçage liquide. Ne pas utiliser un agent de rinçage solide ou en barre.
- La capacité du distributeur d'agent de rinçage est de 175 mL (6 oz). Dans les conditions normales, cette quantité devrait durer environ 3 mois.
- Il n'est pas nécessaire d'attendre que le distributeur soit vide avant de le remplir, mais il ne faut pas le remplir excessivement.



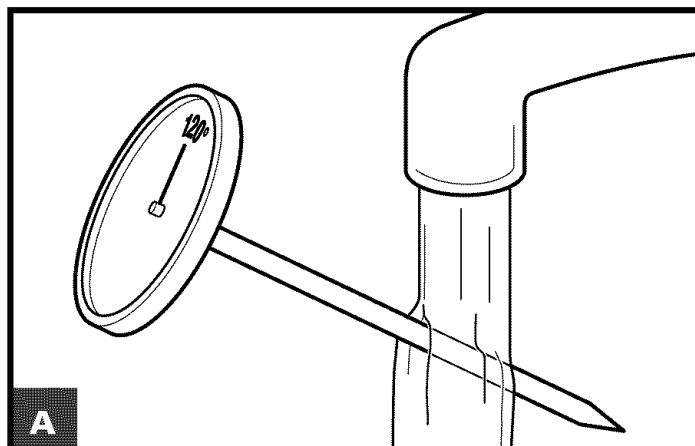
## Conseils au sujet de la température de l'eau

L'eau chaude dissout et active le détergent utilisé dans le lave-vaisselle. L'eau chaude dissout également les graisses sur la vaisselle et permet à la verrerie de sécher sans formation de tache. Pour obtenir de meilleurs résultats de lavage, il faut que l'eau pénètre dans le lave-vaisselle à une température d'au moins 49°C (120°F). La vaisselle peut ne pas être parfaitement lavée si la température de l'eau est trop basse.

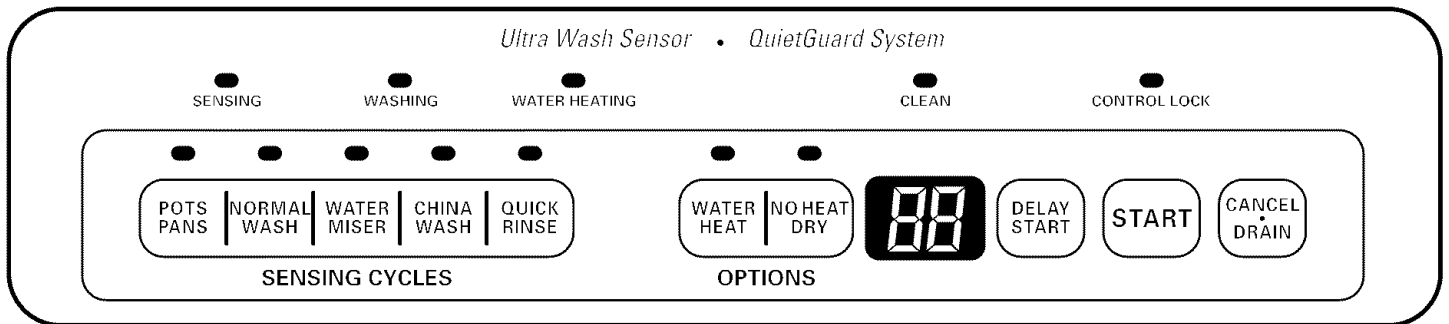
**REMARQUE** : Utiliser l'option de chauffage de l'eau du lave-vaisselle si le chauffe-eau de la résidence est réglé pour une basse température. Le décompte du programme affiché sur l'afficheur électronique s'interrompt pendant le chauffage de l'eau. Voir d'autres informations à la section "Guide de diagnostic - Durée apparemment excessive du programme de lavage".

### Contrôle de la température de l'eau :

1. Laisser couler l'eau chaude par le robinet le plus proche du lave-vaisselle pendant au moins une minute.
2. Mesurer la température de l'eau avec un thermomètre à viande ou à confiserie placé dans le jet d'eau chaude **A**.
3. Si la température de l'eau à la sortie du robinet est inférieure à 49°C (120°F), demander à une personne compétente de modifier le réglage du thermostat du chauffe-eau (augmentation de la température).



# Programmes



Le symbole de cochage "\*" indique que l'opération indiquée est incluse dans le programme.

CYCLE	Quantité de débris détectés par le capteur Ultra Wash	Lavage	Rinçage	Lavage principal	Rinçage	Rinçage final avec chauffage	Séchage	Durée du programme† (min.)	Consommation d'eau (litres/gallons [US])	Distributeur du détergent
<b>CASSEROLES/USTENSILES</b> 	Vaisselle très sale	*	*	60°C 140°F	*	60°C 140°F	*	97†	40,9/10,8	 Utiliser les deux sections
	Vaisselle peu sale	57°C 135°F		60°C 140°F	*	60°C 140°F	*	80†	32,7/8,6	

Pour lavage de vaisselle, et de casseroles et ustensiles avec résidus d'aliments cuits sur les ustensiles.

CYCLE	Quantité de débris détectés par le capteur Ultra Wash	Lavage	Rinçage	Lavage principal	Rinçage	Rinçage final avec chauffage	Séchage	Durée du programme† (min.)	Consommation d'eau (litres/gallons [US])	Distributeur du détergent
<b>LAVAGE NORMAL</b> 	Vaisselle très sale	*	*	60°C 140°F	*	60°C 140°F	*	90†	40,9/10,8	 Utiliser les deux sections
	Vaisselle moyennement sale	*		60°C 140°F	*	60°C 140°F	*	86†	32,7/8,6	
	Vaisselle peu sale			*	*	60°C 140°F	*	70†	24,5/6,5	

Pour le lavage quotidien de vaisselle très sale. (L'indice de consommation d'énergie est déterminé avec ce programme.)

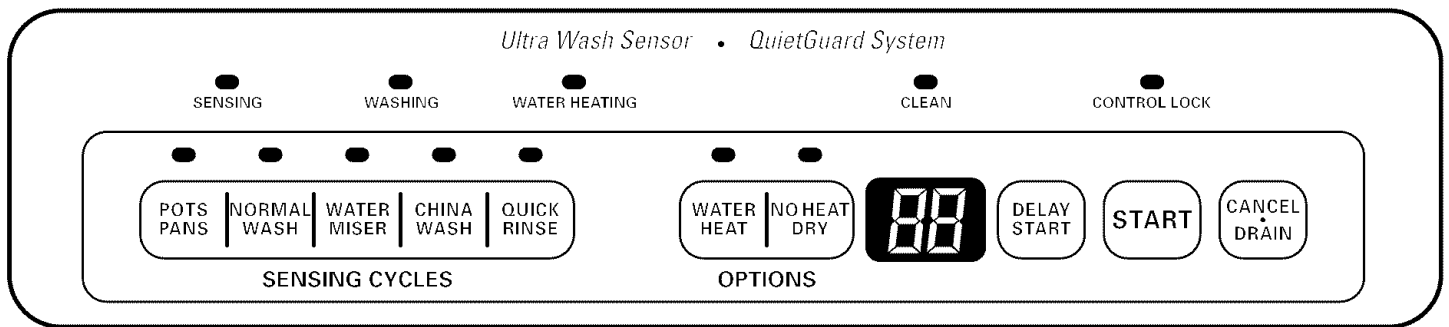
- Le choix de l'option de chauffage de l'eau assure que l'eau est chauffée à 60°C (140°F) lors du lavage principal pour toute quantité de débris détectés.

† La durée d'exécution du programme comprend le temps de séchage; elle peut être plus longue, selon la température de l'eau à l'entrée du lave-vaisselle. La durée du programme est d'autant plus longue que l'eau est plus froide. Si l'eau est suffisamment chaude, la durée du programme sera celle qui est indiquée.


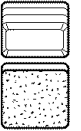
Le décompte sur l'afficheur électronique est interrompu pendant le chauffage de l'eau; le témoin de chauffage de l'eau s'allume pendant le chauffage de l'eau jusqu'à la température indiquée.

**REMARQUE :** Il est possible d'ajouter quelques articles sales lorsque le témoin de lavage est illuminé. L'ouverture de la porte n'affectera pas le fonctionnement du détecteur.

# Programmes (suite)


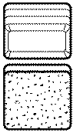


Le symbole de cochage "•" indique que l'opération indiquée est incluse dans le programme.


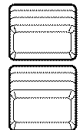
CYCLE	Quantité de débris détectés par le capteur Ultra Wash	Lavage	Rinçage	Lavage principal	Rinçage	Rinçage final avec chauffage	Séchage	Durée du programme <sup>††</sup> (min.)	Consommation d'eau (litres/gallons [US])	Distributeur du détergent
<b>ÉCONOMIE D'EAU</b> 	Vaisselle très sale		•	• 60°C 140°F	•	• 60°C 140°F	•	78 <sup>†</sup>	32,7/8,6	 Utiliser la section couverte
	Vaisselle peu sale			•	•	• 60°C 140°F	•	64 <sup>†</sup>	17,4/4,6	

Pour le pré-rinçage et la vaisselle peu sale. Économise l'énergie grâce à une consommation d'eau moindre que celle du programme de lavage normal.

- Le choix de l'option de chauffage de l'eau assure que l'eau est chauffée à 60°C (140°F) lors du lavage principal pour toute quantité de débris détectés.

<b>LAVAGE PORCELAINE</b> 	Vaisselle très sale		•	•	•	• 54°C 130°F	• Programmé	74 <sup>†</sup>	32,7/8,6	 Utiliser la section couverte
	Vaisselle peu sale			•	•	• 54°C 130°F	• Programmé	64 <sup>†</sup>	17,4/4,6	

Programme de lavage léger et séchage en douceur pour porcelaine et cristal. Pendant la période de séchage avec chaleur, l'élément chauffant est alimenté par intermittence.

<b>RINÇAGE RAPIDE</b> 	Vaisselle très sale		•		•			14	16,4/4,3	 Aucun détergent nécessaire
	Vaisselle peu sale				•			10	8,2/2,2	

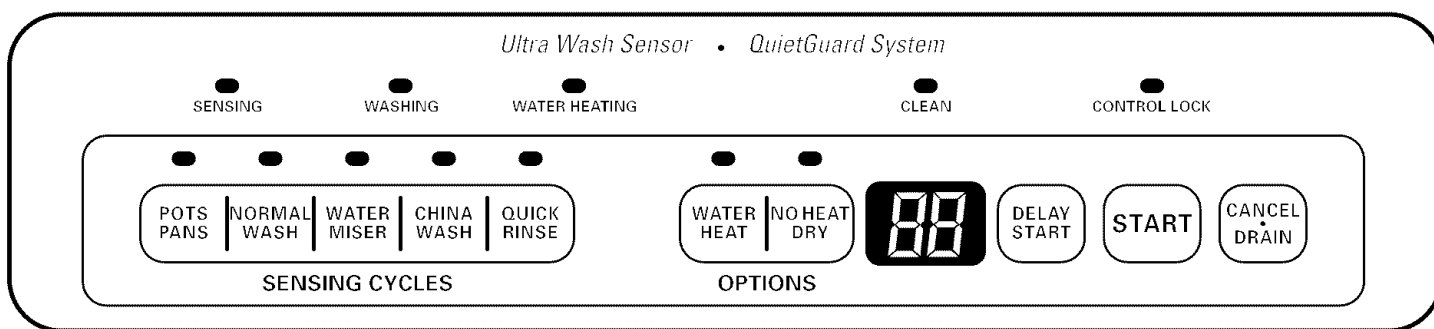
Pour le rinçage immédiat de la vaisselle qui sera lavée plus tard.

† La durée d'exécution du programme comprend le temps de séchage; elle peut être plus longue, selon la température de l'eau à l'entrée du lave-vaisselle. La durée du programme est d'autant plus longue que l'eau est plus froide. Si l'eau est suffisamment chaude, la durée du programme sera celle qui est indiquée.

Le décompte sur l'afficheur électronique est interrompu pendant le chauffage de l'eau; le témoin de chauffage de l'eau s'allume pendant le chauffage de l'eau jusqu'à la température indiquée.

**REMARQUE :** Il est possible d'ajouter quelques articles sales lorsque le témoin de lavage est illuminé. L'ouverture de la porte n'affectera pas le fonctionnement du détecteur.

# Options



Option	Quand utiliser l'option	Fonction de l'option
<b>Chauffage de l'eau</b> <ul style="list-style-type: none"> <li>• Automatique pour casseroles/ustensiles</li> <li>• Option pour programme de lavage normal et économie d'eau</li> <li>• Pas disponible pour porcelaine, lavage rapide ou rinçage rapide</li> </ul>	<p>Pour garantir que la température de l'eau soit de 60°C (140°F) pour l'opération de lavage principal.</p>	<ul style="list-style-type: none"> <li>• Lorsqu'on sélectionne chauffage de l'eau, l'opération de lavage principal s'interrompt jusqu'à ce que la température de l'eau atteigne 60°C (140°F).</li> <li>• Pendant le chauffage de l'eau, l'action de lavage se poursuit. Le décompte sur l'afficheur électronique est interrompu jusqu'à ce que l'eau atteigne la température convenable.</li> </ul>
<b>Séchage sans chaleur</b> <ul style="list-style-type: none"> <li>• Option pour les programmes casseroles/ustensiles, normal, économie d'eau et porcelaine</li> </ul>	<p>Utilisation lorsqu'un séchage rapide n'est pas nécessaire. Possibilité de séchage plus long (toute la nuit). Utiliser l'agent de rinçage pour améliorer le séchage.</p>	<ul style="list-style-type: none"> <li>• Élément chauffant pas alimenté pendant la période de séchage de 30 minutes.</li> </ul>
<b>Lavage différé</b> <ul style="list-style-type: none"> <li>• Option pour tout programme</li> </ul>	<p>Utilisation lorsqu'on souhaite effectuer le lavage plus tard. Régler la minuterie pour commander l'exécution du lavage hors des périodes de pointe de consommation d'énergie, ou en l'absence des utilisateurs. Les services locaux de distribution d'énergie recommandent ceci pour minimiser la consommation d'énergie aux heures de pointe de la journée.</p>	<ul style="list-style-type: none"> <li>• On peut différer le début de l'exécution du programme et des options choisies jusqu'à neuf heures, par intervalle d'une heure.</li> <li>• Réglage : <ol style="list-style-type: none"> <li>1. Sélectionner le programme et les options.</li> <li>2. Appuyer sur la touche de mise en marche différée (Delay Start). Chaque pression sur la touche Delay Start retarde d'une heure le début de l'exécution du programme. La durée totale de la période d'attente apparaît sur l'afficheur électronique.</li> <li>3. Appuyer sur la touche de mise en marche. Le décompte de la période d'attente commence dès qu'on appuie sur la touche de mise en marche Start. Le temps d'attente affiché sur le tableau de commande clignote une fois. L'exécution du programme et des options débute dès l'expiration de la période d'attente. Si on n'appuie pas sur la touche de mise en marche Start moins de 30 secondes après la dernière sélection, on doit effectuer de nouveau la programmation pour programme, options et périodes d'attente.</li> </ol> </li> <li>• On peut changer les sélections de programme et option à tout moment pendant la période d'attente. On peut également mettre fin à la période d'attente à tout moment; il suffit d'appuyer sur la touche de mise en marche Start. Le lave-vaisselle se met alors en marche immédiatement.</li> </ul>

# Fonctions spéciales

## Touche de mise en marche - mémoire

- Pour utiliser de nouveau les options et le dernier programme exécuté, appuyer sur la touche Start.
- Si on n'utilise pas le lave-vaisselle chaque jour, fermer la porte pour préserver la mémoire.
- Si le courant électrique est interrompu, ou si la porte reste ouverte pendant une période prolongée, l'information mémorisée avec la touche de mise en marche Start disparaît et l'appareil adopte par défaut le programme normal avec séchage avec chaleur.

## Changement de programme

- Appuyer sur la touche Annulation/vidange (Cancel•Drain). Attendre pendant 2 minutes pour l'exécution de la vidange. Sélectionner ensuite le programme et les options désirées (ne pas oublier d'ajouter du détergent si le lave-vaisselle avait déjà exécuté l'opération de lavage du programme initial).

### OU

- On peut changer le programme et les options à tout moment au cours des deux premières minutes de l'exécution d'un programme (pendant que l'eau pénètre dans le lave-vaisselle) sans devoir appuyer sur la touche Annulation/vidange.

## Annulation d'un programme

- Appuyer sur la touche Annulation/vidange (Cancel•Drain). Attendre pendant 2 minutes pour l'exécution de la vidange.

## Verrouillage des commandes

- Le verrouillage des commandes empêche la sélection accidentelle d'un programme.
- Pour verrouiller les commandes, appuyer sur la touche Séchage sans chaleur pendant quatre secondes. Lorsque les commandes sont verrouillées, le témoin Verrouillage des commandes (Control Lock) s'allume.
- Déverrouillage des commandes : appuyer sur la touche Séchage sans chaleur pendant quatre secondes. Le témoin Verrouillage des commandes clignote et s'éteint.
- Si on essaie de sélectionner un programme ou des options alors que les commandes sont verrouillées, le témoin Verrouillage des commandes clignote pour indiquer qu'il n'est pas possible de sélectionner un programme ou des options avant d'avoir déverrouillé le tableau de commande.

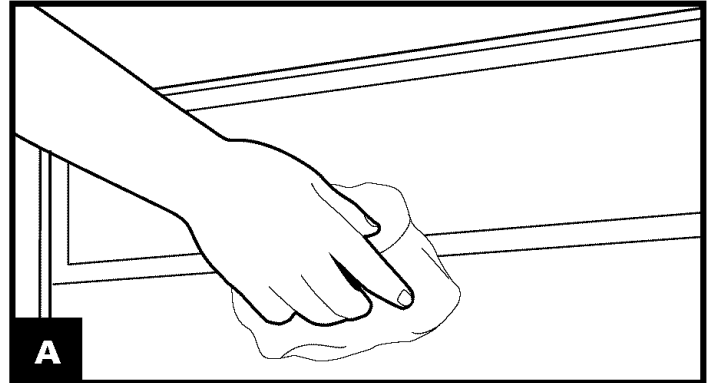
# Entretien du lave-vaisselle

Pour des problèmes de nettoyage particuliers, consulter la section Guide de diagnostic.

## Nettoyage du lave-vaisselle

### Nettoyage de l'extérieur

Dans la plupart des cas, il suffit d'utiliser un linge doux humide ou une éponge et un détergent doux pour nettoyer les surfaces extérieures du lave-vaisselle et préserver son aspect de produit neuf **A**.



### Nettoyage de l'intérieur

Les composés minéraux présents dans l'eau dure peuvent provoquer l'accumulation d'un film blanchâtre sur les surfaces intérieures, particulièrement juste au-dessous de la porte.

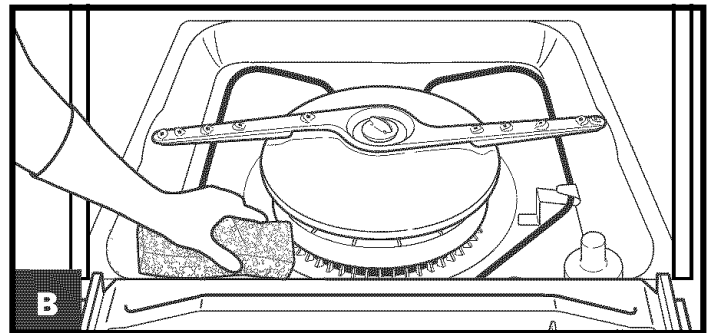
#### Nettoyage des surfaces internes :

- Appliquer un détergent en poudre pour la vaisselle sur une éponge humide pour former une pâte.

OU

- Utiliser un détergent liquide pour lave-vaisselle automatique, et nettoyer avec une éponge humide **B**.

**Ne pas** nettoyer les surfaces internes du lave-vaisselle avant qu'elles aient refroidi. Porter des gants de caoutchouc. **Ne pas** utiliser un produit de nettoyage autre que le détergent pour lave-vaisselle, ce qui pourrait provoquer un moussage excessif.



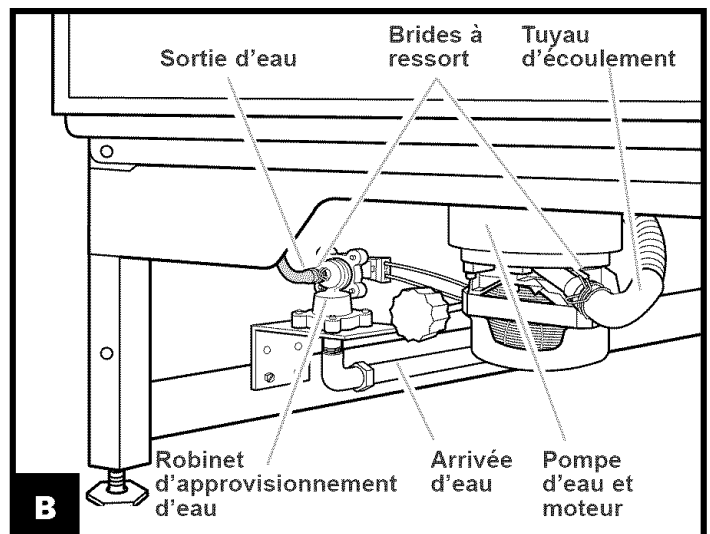
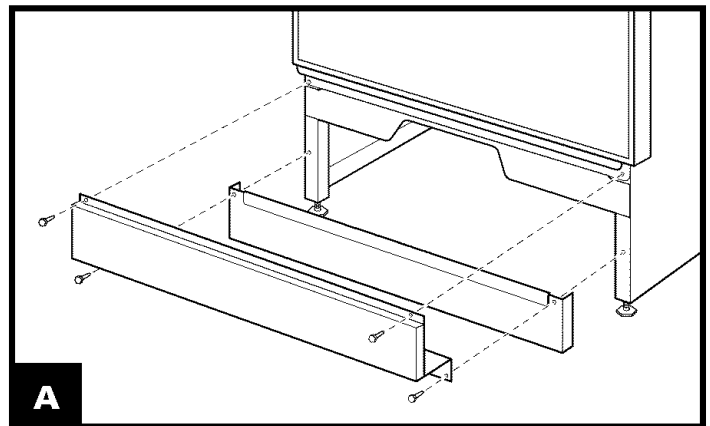


# Remisage du lave-vaisselle

## Déménagement ou hivérisation du lave-vaisselle

Protéger le lave-vaisselle et l'habitation contre les dommages par l'eau, attribuables au gel des conduits d'eau. Si le lave-vaisselle est laissé dans une résidence saisonnière ou risque d'être exposé à des températures près du degré de congélation, faire exécuter les opérations suivantes par une personne qualifiée :

1. Déconnecter le courant électrique du lave-vaisselle.
2. Fermer l'arrivée d'eau au lave-vaisselle.
3. Enlever les 4 vis du panneau d'accès inférieur et retirer ce panneau **A**.
4. Placer un récipient de faible profondeur sous la valve d'arrivée d'eau. Puis, utiliser une clé à molette pour déconnecter l'arrivée d'eau de la valve d'approvisionnement d'eau. Séparer l'arrivée d'eau de la valve d'approvisionnement d'eau et vidanger l'eau dans le récipient **B**.
5. Ôter la bride à ressort du conduit d'évacuation d'eau et le séparer de la valve d'arrivée d'eau; vidanger l'eau dans le récipient.
6. Reconnecter les conduits d'arrivée d'eau et d'évacuation d'eau à la valve d'arrivée d'eau.
7. Vider le récipient et le replacer sous la pompe à eau.
8. Ôter la bride et déconnecter le tuyau de vidange de la pompe à eau; vidanger l'eau dans le récipient.
9. Reconnecter le tuyau d'évacuation à la pompe à eau, et s'assurer de placer la bride sur la connexion.
10. Replacer le panneau d'accès inférieur.



## Remise en service du lave-vaisselle après le remisage

1. Enlever les 4 vis du panneau d'accès inférieur et retirer ce panneau.
2. Ouvrir l'approvisionnement d'eau au lave-vaisselle.
3. Rétablir le courant électrique au lave-vaisselle.
4. Laisser le lave-vaisselle exécuter un programme complet et vérifier s'il y a des fuites.
5. Replacer le panneau d'accès inférieur.

**REMARQUE :** Si le lave-vaisselle est relié à un broyeur, ne pas faire couler l'eau dans l'évier après l'hivérisation. Le tuyau d'évacuation du lave-vaisselle risquerait de se remplir d'eau de nouveau.

## Remisage pour l'été

Protéger le lave-vaisselle au cours des mois d'été en fermant l'approvisionnement d'eau et déconnecter le lave-vaisselle de l'alimentation électrique.

## Conseils pour le lavage d'articles spéciaux

En cas de doute au sujet du lavage d'un article particulier, consulter le fabricant pour déterminer s'il est lavable au lave-vaisselle.

MATÉRIAU	LAVABLE AU LAVE-VAISSELLE?	EXCEPTIONS/INFORMATION SPÉCIALE
<b>Acier inoxydable</b>	<b>Oui</b>	Si le lavage ne sera pas effectué immédiatement, exécuter un programme de rinçage rapide. Le contact prolongé avec des résidus alimentaires contenant sel, vinaigre, produits laitiers ou jus de fruit peut endommager la finition.
<b>Aluminium</b>	<b>Oui</b>	L'eau chaude et les détergents peuvent affecter la finition de l'aluminium anodisé.
<b>Argent sterling ou plaqué</b>	<b>Oui</b>	Si le lavage ne sera pas effectué immédiatement, exécuter un programme de rinçage rapide. Le contact prolongé de produits alimentaires contenant sel, acide ou sulfure (oeufs, mayonnaise et fruits de mer) peut endommager la finition.
<b>Bouteilles et cannettes</b>	<b>Non</b>	Laver manuellement les bouteilles et cannettes. Les étiquettes fixées par une colle peuvent se détacher dans le lave-vaisselle. Les débris d'étiquettes et la colle peuvent obstruer les orifices des bras d'aspersion ou la pompe, et réduire la performance de lavage.
<b>Coutellerie à manche creux</b>	<b>Non</b>	Les manches de certains couteaux sont fixés à la lame au moyen d'un adhésif qui peut se dégager lors du lavage au lave-vaisselle.
<b>Cristal</b>	<b>Oui</b>	Consulter toujours les recommandations du fabricant avant le lavage. Après plusieurs lavages, la solution de détergent peut attaquer certains types de cristal au plomb.
<b>Étain</b>	<b>Non</b>	L'eau chaude et les détergents peuvent modifier la couleur et la finition de l'étain.
<b>Faïence/porcelaine</b>	<b>Oui</b>	Consulter toujours les recommandations du fabricant avant le lavage. La décoration des articles antiques, peints à la main ou l'émaillage peut se détériorer. Les dorures peuvent se dissiper ou changer de couleur.
<b>Fer blanc</b>	<b>Non</b>	Possibilité de rouille.
<b>Fonte</b>	<b>Non</b>	La patine sera éliminée et la fonte rouillera.
<b>Or</b>	<b>Non</b>	Les couverts dorés peuvent subir un changement de couleur.

suite à la page suivante

## Conseils pour le lavage d'articles spéciaux (suite)

En cas de doute au sujet du lavage d'un article particulier, consulter le fabricant pour déterminer s'il est lavable au lave-vaisselle.

<b>MATÉRIAU</b>	<b>LAVABLE AU LAVE-VAISSELLE?</b>	<b>EXCEPTIONS/INFORMATION SPÉCIALE</b>
<b>Plastiques</b>	<b>Oui</b>	Consulter toujours les recommandations du fabricant avant le lavage. La résistance des articles de plastique à l'eau chaude et aux détergents est variable. Charger les articles de plastique seulement dans le panier supérieur.
<b>Plastiques jetables</b>	<b>Non</b>	Ce matériau ne peut résister aux effets de l'eau chaude et des détergents.
<b>Ustensiles de bois</b>	<b>Non</b>	Laver manuellement. Consulter toujours les recommandations du fabricant avant le lavage. Le bois non traité peut se déformer, se fissurer ou perdre sa finition.
<b>Verre</b>	<b>Oui</b>	Jaunissement des verres à lait après des lavages répétitifs.

# Guide de diagnostic

## Le lave-vaisselle ne fonctionne pas correctement

PROBLÈME ...	SOLUTION ...	SOLUTION ...
<b>Le lave-vaisselle ne fonctionne pas ou s'arrête au cours d'un programme</b>	La porte n'est pas fermée	Vérifier que la porte est bien fermée et verrouillée.
	Programme incorrect sélectionné	Voir la section "Programmes", page 13.
	Courant électrique incorrect ou non fourni à l'appareil	Déterminer si un fusible ou disjoncteur est grillé ou ouvert.
	Arrêt du moteur par surcharge	Le moteur se réactive automatiquement après quelques minutes. S'il ne se remet pas en marche, contacter le service de dépannage.
	L'eau n'arrive pas au lave-vaisselle	Vérifier que le robinet d'arrêt (le cas échéant) est ouvert.
<b>Le lave-vaisselle ne se remplit pas</b>	Dispositif de protection contre débordement bloqué	Vérifier que le flotteur du dispositif de protection peut se déplacer librement (mouvement vertical). Appuyer pour le libérer.
<b>La durée d'exécution du programme semble être trop longue</b>	Température insuffisante de l'eau d'alimentation électrique de l'appareil	Il est normal que la durée d'exécution d'un programme soit plus longue lorsqu'il faut chauffer l'eau. Voir à la page 12 la section "Conseils pour le chauffage de l'eau". <ul style="list-style-type: none"> <li>• Une période d'attente s'ajoute à l'opération de lavage principal si on a sélectionné l'option Chauffage de l'eau.</li> <li>• Trois périodes d'attente sont introduites lorsqu'on sélectionne le programme Casseroles et ustensiles.</li> <li>• L'opération de rinçage final est automatiquement retardée jusqu'à ce que l'eau ait atteint la température appropriée.</li> </ul>
<b>Résidus d'eau dans le lave-vaisselle</b>	Programme pas terminé	Attendre la fin d'exécution du programme.
<b>Résidus de détergent dans la section avec couvercle du distributeur</b>	Programme pas terminé	Attendre la fin d'exécution du programme.
	Détergent aggloméré Panier inférieur introduit dans le mauvais sens	Remplacer par un détergent sec, sans grumeaux. Voir la section "Composants et fonctions", page 3; si nécessaire, réinstaller le panier.
<b>Apparition d'un résidu blanc à l'avant du panneau d'accès</b>	Quantité excessive de détergent utilisée	Voir à la page 10 la section "Utilisation du distributeur de détergent".
	La marque de détergent utilisé génère trop de mousse	Essayer une marque de détergent différente pour réduire le moussage et éliminer l'accumulation.
<b>Odeur dans le lave-vaisselle</b>	Vaisselle lavée à intervalle de 2-3 jours seulement	Exécuter un programme de rinçage rapide au moins une fois ou deux fois par jour jusqu'à ce qu'une charge complète soit accumulée.
	Odeur du plastique du lave-vaisselle neuf	Exécuter un rinçage avec du vinaigre (description à la page suivante).
<b>Condensation sur le comptoir de la cuisine</b>	Rejet excessif d'humidité par l'évent de la console du lave-vaisselle	La console de commande du lave-vaisselle devrait être alignée avec le dessus de comptoir. Pour d'autres renseignements, voir les instructions d'installation.

suite à la page suivante

# Guide de diagnostic (suite)

## Vaisselle pas complètement nettoyée

PROBLÈME ...	SOLUTION ...	SOLUTION ...
Résidus de produits alimentaires sur la vaisselle	Chargement incorrect	Voir aux pages 7-9 la section "Chargement du lave-vaisselle".
	Température de l'eau trop basse	Utiliser l'option du chauffe-eau. Si nécessaire, augmenter la température de réglage du chauffe-eau de la maison pour que l'eau chaude soit introduite dans le lave-vaisselle à une température d'au moins 49°C (120°F). Voir à la page 12 la section "Conseils - température de l'eau".
	Détergent inefficace ou type incorrect, ou quantité insuffisante	Utiliser uniquement les détergents pour lave-vaisselle recommandés. Voir à la page 10 la section "Utilisation du distributeur de détergent". Ne jamais employer moins de 1 c. à soupe par charge. Pour qu'il soit efficace, il faut que le détergent soit frais. Remiser toujours le détergent en un lieu frais et sec.
	Grumeaux de détergent dans le distributeur	Utiliser uniquement un détergent frais. Ne pas laisser le détergent pendant plusieurs heures dans un distributeur humide. Rechercher la présence de détergent aggloméré dans le distributeur. Nettoyer le distributeur lorsqu'il s'y trouve des grumeaux de détergent.
	Pompe ou bras d'aspersion obstruée par des étiquettes de bouteilles et cannettes	Enlever les étiquettes avant de laver les bouteilles ou cannettes, ou laver ces articles à la main. Voir à la page 19 la section "Conseils pour le lavage d'articles spéciaux".
	Remplissage insuffisant du fait de pression d'eau insuffisante	Pour un remplissage convenable du lave-vaisselle, il faut que la pression de distribution de l'eau soit de 138-828 kPa (20 à 120 lb/po2). Si la pression est insuffisante, il peut être nécessaire d'installer une pompe de surpression.
Ralentissement des bras d'aspersion à cause de la mousse accumulée	Ne jamais utiliser de savons ou des détergents à lessive. Utiliser uniquement les détergents recommandés pour lave-vaisselle.	

## Présence de taches sur la vaisselle

Taches et films	Eau dure ou concentration élevée de minéraux dans l'eau	Le conditionnement de l'eau de rinçage final avec un agent de rinçage liquide favorise l'élimination des taches et films. Veiller à ce que le distributeur soit toujours rempli d'un agent de rinçage.
	Température insuffisante de l'eau	Utiliser l'option de chauffe-eau. Si nécessaire, augmenter la température de réglage du chauffe-eau de la maison pour que l'eau chaude soit introduite dans le lave-vaisselle à une température d'au moins 49°C (120°F). Voir à la page 12 la section "Conseils - température de l'eau".
	Emploi d'un détergent incorrect	Utiliser uniquement les détergents recommandés pour lave-vaisselle.
	Quantité incorrecte de détergent	Consulter à la page 10 la section "Utilisation du distributeur de détergent". En présence d'eau dure et/ou d'une quantité importante de résidus alimentaires, on doit généralement employer plus de détergent.

# Guide de diagnostic (suite)

## Présence de taches sur la vaisselle (suite)

PROBLÈME ...	CAUSE ...	SOLUTION ...
<b>Taches et films (suite)</b>	Emploi d'un détergent inefficace  Remplissage insuffisant à cause d'une pression de l'eau insuffisante	Utiliser un détergent frais. Entreposer toujours le détergent en un lieu frais et sec, de préférence dans un récipient étanche à l'air. Jeter le détergent aggloméré.  Pour un remplissage convenable du lave-vaisselle, il faut que la pression de distribution de l'eau soit de 138-828 kPa (20 à 120 lb/po2). Si la pression est insuffisante, il peut être nécessaire d'installer une pompe de surpression.  <b>REMARQUE :</b> Pour éliminer les taches et films sur la vaisselle, essayer un rinçage avec de l'eau vinaigrée. <ol style="list-style-type: none"><li>1. Laver et rincer la vaisselle de la manière habituelle, avec l'option séchage sans chaleur.</li><li>2. Enlever tous les articles métalliques.</li><li>3. Ajouter 500 mL (2 tasses) de vinaigre blanc dans un récipient placé dans le panier inférieur.</li><li>4. Faire exécuter au lave-vaisselle un programme de lavage complet. Le vinaigre se mélangera à l'eau de lavage.</li></ol>
<b>Film de silice ou attaque</b> (le film de silice est un dépôt blanc iridescent; l'attaque produit l'apparence d'un film translucide)	Réaction chimique de l'eau avec certains types de verre habituellement imputable à certaines combinaisons d'eau douce ou adoucie, solutions de lavage alcalines, rinçage insuffisant, chargement excessif du lave-vaisselle, et chaleur lors du séchage.	Il peut être nécessaire de laver manuellement ces articles pour éliminer complètement le problème. Pour ralentir ce processus, utiliser la quantité minimale de détergent, mais pas moins de 1 c. à soupe par charge. Utiliser un agent de rinçage liquide, et ne pas trop charger le lave-vaisselle pour permettre un rinçage à fond. Il n'est pas possible d'éliminer le film de silice ou l'effet de l'attaque chimique qui demeurent en permanence. Utiliser l'option de séchage sans chaleur.
<b>Taches blanches sur les ustensiles de cuisson à revêtement antiadhésif</b>	Patine éliminée par les détergents de lave-vaisselle	Générer une nouvelle patine sur ces articles après le lavage au lave-vaisselle.
<b>Taches marron sur la vaisselle et les surfaces internes du lave-vaisselle</b>	Concentration de fer élevée dans l'eau	Pour éliminer les taches (après l'élimination de tous les résidus alimentaires), laver la vaisselle de nouveau après avoir versé 1 c. à thé à 1 c. à soupe de cristaux d'acide citrique dans la section fermée du distributeur de détergent. Ne pas utiliser de détergent. Exécuter ensuite un programme de lavage Normal avec détergent. Si ce traitement est nécessaire plus fréquemment qu'à intervalle de deux mois, on recommande l'installation d'un dispositif d'élimination du fer.
<b>Marques noires ou grises sur la vaisselle</b>	Articles d'aluminium	Veiller à charger les articles d'aluminium de telle manière qu'ils ne se frottent pas contre la vaisselle au cours du lavage. Ne pas laver dans le lave-vaisselle les articles d'aluminium jetables, qui peuvent se briser et former des marques. Pour éliminer les marques d'aluminium, employer un produit de nettoyage moyennement abrasif.

suite à la page suivante

# Guide de diagnostic (suite)

## Présence de taches sur la vaisselle (suite)

PROBLÈME ...	CAUSE ...	SOLUTION ...
Taches orange sur les articles de plastique ou les surfaces internes du lave-vaisselle	Quantité considérable de résidus alimentaires à base de tomate sur la vaisselle placée dans le lave-vaisselle	Les taches peuvent se dissiper graduellement au cours du temps. L'utilisation fréquente du séchage avec chauffage peut ralentir le processus de dissipation des taches. Les taches n'affectent pas la performance du lave-vaisselle. Pour réduire le risque de formation de taches, utiliser régulièrement le programme de rinçage rapide ou de l'option de séchage sans chaleur.

## Vaisselle pas complètement sèche

La vaisselle n'est pas sèche	Drainage incorrect de l'eau	Il faut que l'eau puisse s'écouler convenablement de la vaisselle. Ne pas charger excessivement. Consulter aux pages 7-9 la section "Chargement du lave-vaisselle". Utiliser un agent de rinçage liquide pour accélérer le séchage.
	Articles de plastique	Il peut être nécessaire de sécher avec un linge certains articles de matière plastique.
	Distributeur d'agent de rinçage vide	Consulter à la page 11 la section "Utilisation du distributeur d'agent de rinçage".
	Utilisation de l'option "Séchage sans chaleur"	Ne pas utiliser l'option "Séchage sans chaleur".

## Vaisselle endommagée au cours du lavage

Écaillage de la vaisselle	Chargement incorrect	Charger la vaisselle et les verres de telle manière qu'ils soient stables et qu'ils ne se heurtent pas mutuellement sous l'effet du lavage. Manoeuvrer lentement les paniers lors du chargement/déchargement pour minimiser les chocs et l'écaillage.  <b>REMARQUE :</b> Certains types de faïence et de porcelaine sont trop délicats pour le lavage automatique; on devrait les laver manuellement; p. ex. articles antiques, cristal très mince et articles similaires.
---------------------------	----------------------	--

## Bruits

Émission de bruits de broyage ou bourdonnement	Introduction d'un objet dur dans le module de séparation Ultra Wash	L'émission du son devrait cesser après le broyage de l'objet.
--	---	---

# Nous assurons le service pour les produits que nous vendons

“Nous assurons le service pour les produits que nous vendons” - C’est une assurance pour vous de pouvoir compter sur Sears pour le service dans tout le pays. Votre appareil ménager Sears a plus de valeur lorsque vous considérez que Sears dispose dans ses établissements répartis dans tout le pays, de techniciens professionnels spécifiquement formés pour les travaux sur les appareils Sears, et qui ont à leur disposition les pièces, outils et équipement appropriés pour remplir cette promesse que nous vous faisons... “Nous assurons le service pour les produits que nous vendons.”

## Contrat d’entretien Sears

Conserver la valeur de votre lave-vaisselle KENMORE au moyen d’un contrat d’entretien Sears. Les lave-vaisselle Sears sont conçus, fabriqués et vérifiés pour qu’ils puissent vous fournir de nombreuses années de service de toute confiance. Cependant, tout appareil ménager moderne peut nécessiter des interventions de service de temps à autre.

### Le contrat d’entretien Sears :

- Vous permet d’acheter aux prix d’aujourd’hui les services que vous utiliserez plus tard.
- Élimine les factures pour les réparations imputables à l’utilisation normale.
- Couvre autant d’interventions de service qu’il en faut.
- Garantit que tous les travaux de service seront exécutés par des techniciens professionnels formés par Sears.
- Comprend une inspection annuelle d’entretien préventif (sur votre demande) même si vous n’avez pas besoin de réparation.

Le contrat d’entretien ne couvre pas l’installation initiale, la réinstallation ou les dommages imputables à des causes externes comme utilisation abusive, vol, incendie, inondation, vent, foudre, gel, panne d’électricité, baisse de tension, etc.

### Pour personnaliser votre lave-vaisselle, vous pouvez commander :

- Des accessoires pour panneaux de porte et panneaux d’accès de couleur
- Des accessoires de garniture de panneaux de bois personnalisés à assortir à la couleur de votre lave-vaisselle

Pour plus de renseignements voir la page arrière des instructions d’installation livrées avec votre lave-vaisselle.



# Notes

# Notes

# Notes

**For in-home major brand repair service:**

Call 24 hours a day, 7 days a week

**1-800-4-MY-HOME<sup>SM</sup>** (1-800-469-4663)

**Para pedir servicio de reparación a domicilio – 1-800-676-5811**

In Canada for all your service and parts needs call  
Au Canada pour tout le service ou les pièces – **1-800-665-4455**

**For the repair or replacement parts you need:**

Call 6 am – 11 pm CST, 7 days a week

**PartsDirect<sup>SM</sup>**

**1-800-366-PART** (1-800-366-7278)

**Para ordenar piezas con entrega a domicilio – 1-800-659-7084**

**For the location of a Sears Parts and Repair Center in your area:**

Call 24 hours a day, 7 days a week

**1-800-488-1222**

**For information on purchasing a Sears Maintenance Agreement  
or to inquire about an existing Agreement:**

Call 9 am — 5 pm, Monday — Saturday

**1-800-827-6655**

