

Gibson

TUMBLE ACTION WASHER

Use & Care Guide

MACHINE À LAVER PAR CULBUTAGE

Guide de L'utilisateur

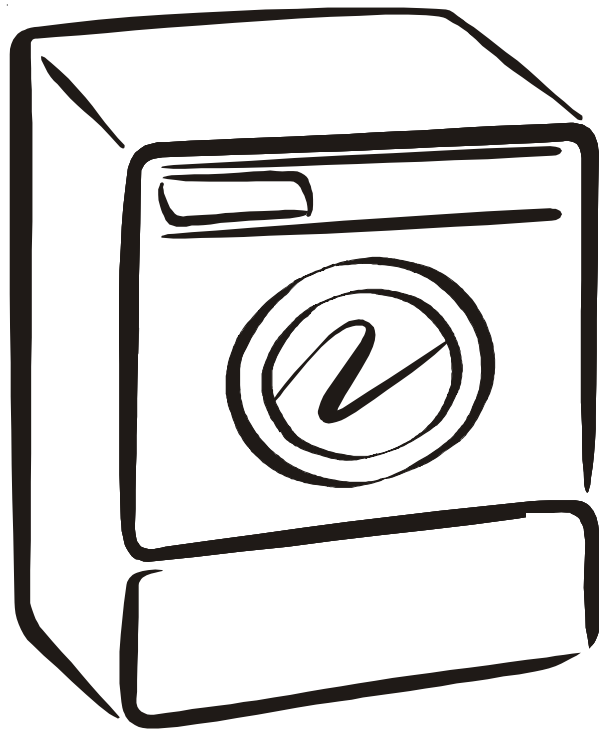



Table of Contents

Important Safety Instructions.....	2-3
Washing Procedures.....	4-6
Stain Removal.....	6-7
Common Washing Problems.....	8
Care and Cleaning.....	9
Avoid Service Checklist.....	10
Warranty	11
Français.....	12-22

Assistance or Service

The symbol  on the product or on its packaging indicates that this product may not be treated as household waste. Instead it shall be handed over to the applicable collection point for the recycling of electrical and electronic equipment. By ensuring this product is disposed of correctly, you will help prevent potential negative consequences for the environment and human health, which could otherwise be caused by inappropriate waste handling of this product. For more detailed information about recycling of this product, please contact your local city office, your household waste disposal service or the shop where you purchased the product.

This Use and Care Guide provides general operating instructions for your washer. It also contains information about features for several other models. Your washer may not have every feature included here.

Use the washer only as instructed in this Use and Care Guide and the **Operating Instructions** included with your washer. Read all instructions before using this appliance. This book contains valuable information about

- Operation
- Care
- Service

Keep it in a safe place.

Read and Save These Instructions

Record Your Model and Serial Numbers

The model and serial numbers of your washer are found on the washer serial plate located at the top, inside of the door opening. Record and retain these numbers.

Model Number _____

Serial Number _____

Purchase Date _____

WASHER SAFETY

Your safety and the safety of others is very important.

We have provided many important safety messages in the Use and Care Guide, Operating Instructions, Installation Instructions and on your appliance. Always read and obey all safety messages.



This is the safety alert symbol. This symbol alerts you to hazards that can kill or hurt you or others. All safety messages will be preceded by the safety alert symbol and the word "DANGER" or "WARNING". These words mean:

! DANGER *You can be killed or seriously injured if you don't immediately follow instructions.*

! WARNING *You can be killed or seriously injured if you don't follow instructions.*

All safety messages will identify the hazard, tell you how to reduce the chance of injury, and tell you what can happen if the instructions are not followed.

Important Safety Instructions

SAVE THESE INSTRUCTIONS

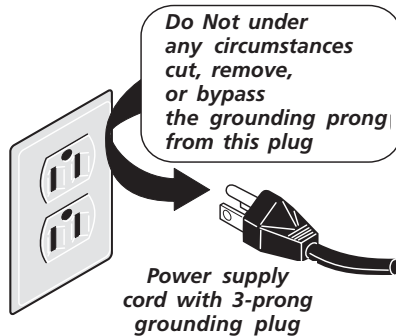
! WARNING *You can be killed or seriously injured if you don't follow these Important Safety Instructions:*

- To reduce the risk of fire, electrical shock, or injury to persons when using this washer, comply with the basic warnings listed below.
- Failure to comply with these warnings could result in serious personal injuries.

Important Safety Instructions (Con't)

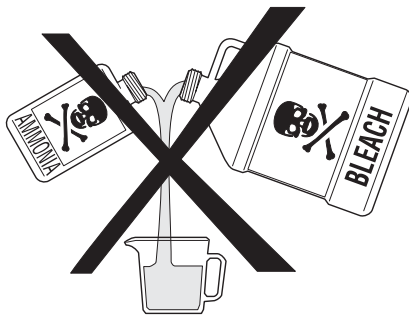
⚠ WARNING Avoid fire hazard or electrical shock. Do not use an adaptor plug or extension cord or remove grounding prong from electrical power cord. Failure to follow this warning can cause serious injury, fire or death.

Grounding type wall receptacle



CORRECT
Use this way **ONLY**

⚠ WARNING Do not use or mix liquid chlorine bleach with other household chemicals such as toilet cleaners, rust removers, acid or products containing ammonia. These mixtures can produce dangerous fumes which can cause serious injury or death.



Note: The instructions appearing in this Owner's Guide are not meant to cover every possible condition and situation that may occur. Common sense and caution must be practiced when installing, operating and maintaining any appliance.

Prevent Fire

- Do not wash items that have been previously cleaned in, soaked in, or spotted with gasoline, cleaning solvents, kerosene, cooking oils, waxes, etc. Do not store these items on or near the washer. These substances give off vapors or chemical reactions that could ignite or explode.
- Do not put oily or greasy rags or clothing on top of the washer. These substances give off vapors that could ignite the materials.
- Do not add gasoline, cleaning solvents, or other flammable or explosive substances to the wash water. These substances give off vapors that could ignite or explode.
- Under certain conditions, hydrogen gas may be produced in a hot water system that has not been used for 2 weeks or more.

HYDROGEN GAS IS EXPLOSIVE. If the hot water system has not been used for such a period, before using the washer, turn on all hot water faucets and let the water flow from each for several minutes. This will release any accumulated hydrogen gas. Hydrogen gas is flammable; do not smoke or use an open flame during this time.

- Failure to comply with these warnings could result in fire, explosion, serious bodily injury and/or damage to the rubber or plastic parts of the washer.

Protect Children

- Do not allow children to play on or in the washer. Close supervision of children is necessary when the washer is used near children. As children grow, teach them the proper, safe use of all appliances.
- Destroy the carton, plastic bag and other packing materials after the washer is unpacked. Children might use them for play. Cartons covered with rugs, bedspreads or plastic sheets can become airtight chambers.
- Keep laundry products out of children's reach. To prevent personal injury, observe all warnings on product labels.
- Before the washer is removed from service or discarded, remove the washer door to prevent accidental entrapment.
- Failure to comply with these warnings could result in serious personal injuries.

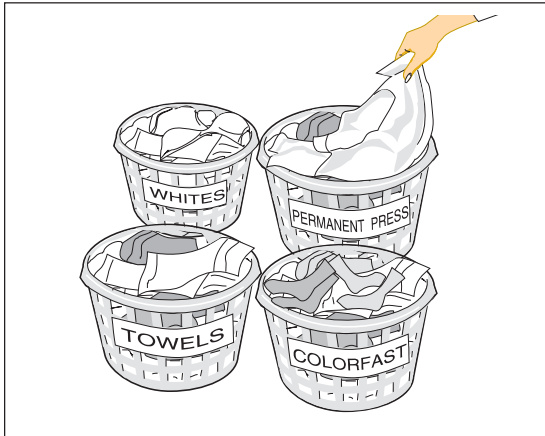
FOR YOUR SAFETY

Do not store or use gasoline or other flammable vapors or liquids in the vicinity of this or any other appliance.

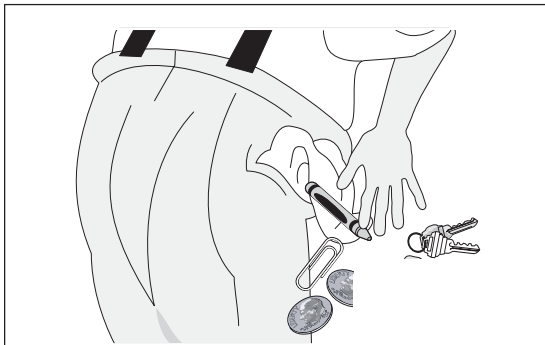
Prevent Injury

- To prevent shock hazard and assure stability during operation, the washer must be installed and electrically grounded by a qualified service person in accordance with local codes. Installation instructions are packed in the washer for installer's reference. Refer to INSTALLATION INSTRUCTIONS for detailed grounding procedures. If the washer is moved to a new location, have it checked and reinstalled by a qualified service person.
- To prevent personal injury or damage to the washer, the electrical power cord of the washer must be plugged into a properly grounded and polarized 3-prong outlet. **The third grounding prong must never be removed. Never ground the washer to a gas pipe. Do not use an extension cord or an adaptor plug.**
- Follow package directions when using laundry products. Incorrect usage can produce poisonous gas--resulting in serious injury or death.
 - **Do not** combine laundry products for use in 1 load unless specified on the label.
 - **Do not** mix chlorine bleach with ammonia or acids such as vinegar.
- To prevent serious personal injury and damage to the washer:
 - **All repairs and servicing must be performed by an authorized servicer** unless specifically recommended in this Owner's Guide. Use only authorized factory parts.
 - **Do not** tamper with controls.
 - **Do not** install or store the washer where it will be exposed to the weather.
- To reduce the risk of electric shock, disconnect this appliance from the power supply before attempting any user maintenance. Turning the controls to the OFF position does not disconnect this appliance from the power supply.
- To prevent injury, do not reach into the washer while parts are moving. Before loading, unloading or adding items, push in the cycle selector knob and allow the drum to coast to a complete stop before reaching inside.
- Failure to comply with these warnings could result in serious personal injuries.
- This washer is equipped with an electrical overload protector. The motor will stop if it becomes overheated. The washer will automatically restart after a cool down period of up to 30 minutes, if the washer has not been manually turned off during this time.

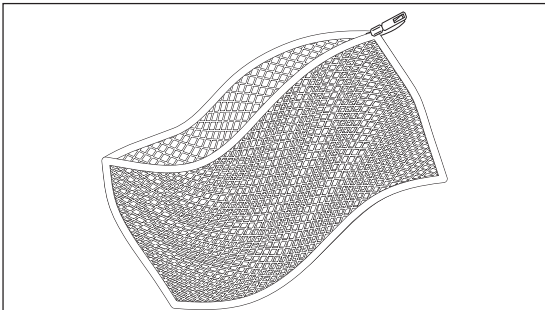
Washing Procedures



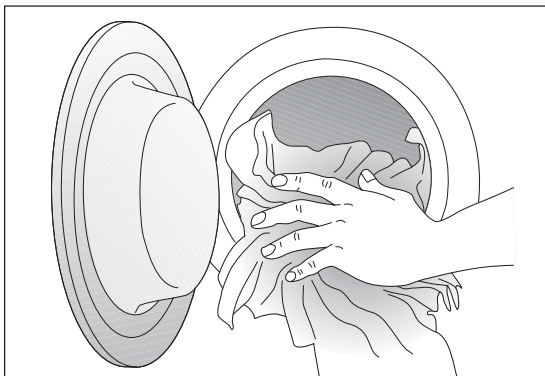
Sort laundry into loads that can be washed together.



Empty pockets.



Place delicate items in a mesh bag.



Add laundry load to washer.

- Follow the guidelines below for preparing the wash load.
- Read the **Operating Instructions** card for operating your specific model.
- **Always read and follow fabric care and laundry product labels.**

⚠ WARNING To reduce the risk of fire, electrical shock, or injury to persons, read **Important Safety Instructions**, page 2, before operating this washer.

1. Sort laundry into loads that can be washed together.

Sort items by recommended water temperatures and wash time.

- Separate white, light, and colorfast items from dark and noncolorfast items.
- Separate items which shed lint from items which attract lint. Permanent press, synthetic, knit and corduroy items will pick up lint from towels, rugs and chenille bedsreads.
- Separate heavily soiled items from lightly soiled items.
- Separate lacy, sheer and loosely knit items from sturdy items.

2. Prepare items for washing.

- Empty pockets.
- Brush off lint and dirt. Shake out rugs and beach towels.
- Close zippers, fasten hooks, tie strings and sashes, and remove nonwashable trims and ornaments.
- Remove pins, decorative buttons, belt buckles, and other objects which could be damaged. This also helps protect other items in the wash load.
- Mend rips and tears to prevent further damage during washing.
- Place delicate items such as bras, shoulder pads, hosiery, and belts in a mesh bag to prevent tangling during the wash cycle.
- Turn knit items inside out to prevent pilling.

3. Pretreat stains and heavy soil.

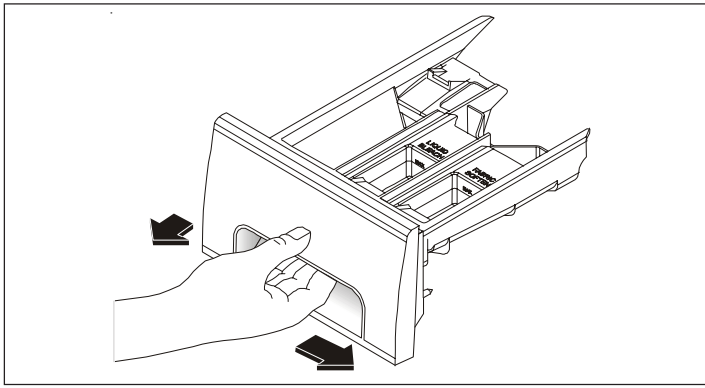
See **Stain Removal**, page 5, for details.

4. Add laundry load to washer.

- Combine large and small items in a load. Load large items first. Large items should not be more than half the total wash load.
- **Do not wash single items** such as a sweater, towel or jeans. This may cause an out-of-balance load. Add 1 or 2 similar items to help balance the load.
- Single heavy items such as a bedsread can be washed separately.
- The washer can be fully loaded, but the items should not be tightly packed. The door should close easily.

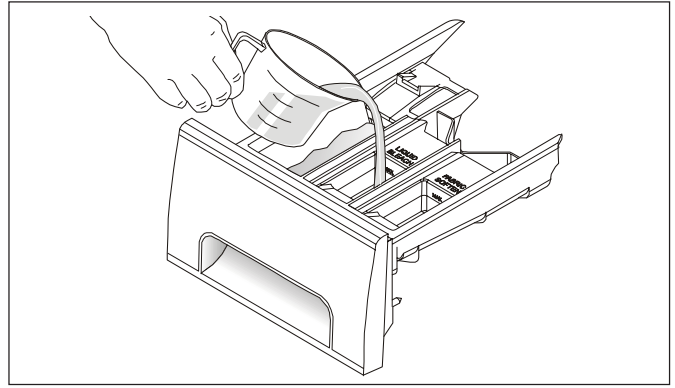
Washing Procedures (continued)

5. Add detergent, bleach and fabric softener to automatic dispenser following these steps:




A. OPENING AND CLOSING THE DISPENSER DRAWER

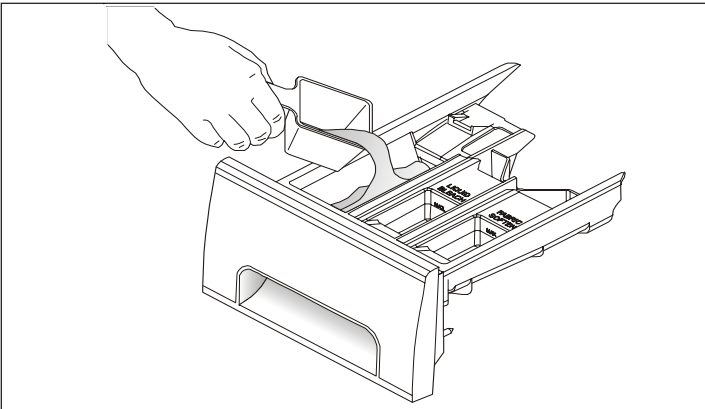
- Slowly open the dispenser drawer by first sliding the safety latch to the right, then pulling the drawer out until it stops.
- After adding laundry products, slowly close the dispenser drawer. Closing the drawer too quickly could result in early dispensing of the bleach and fabric softener.
- Dispenser drawer should be completely closed for powdered detergent, bleach and fabric softener to dispense.
- Laundry products used with powder or liquid detergent, such as color-safe bleach, water conditioner, detergent booster, and enzyme products should be added to the empty tub before loading.



C. LIQUID BLEACH

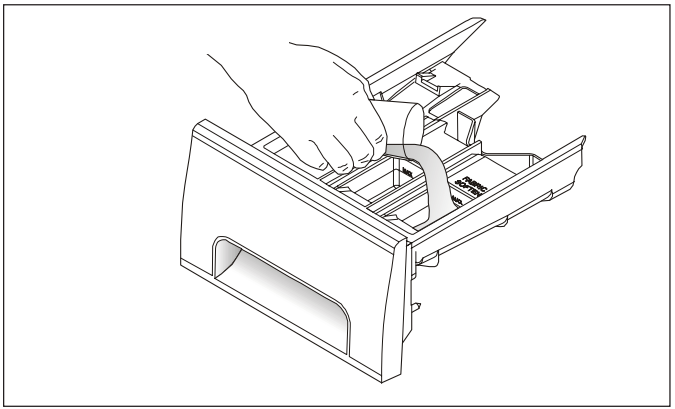
- If desired, measure out the recommended amount of liquid chlorine bleach (not to exceed 1/3 cup (80 mL)) and pour it into the center compartment labeled "Liquid Bleach" and marked with this symbol .
- Do not exceed the maximum fill line. Overfilling can cause early dispensing of the bleach which could result in damaged clothes.
- Do not pour undiluted liquid chlorine bleach directly onto the load or into the drum. Fabric damage can occur.
- **Do not use powdered bleach in the dispenser.**

Note: From time to time you may see water in the bleach and fabric softener compartments. This is a result of the siphoning action and is part of the normal operation of the washer.




B. DETERGENT

- Add measured detergent to the detergent compartment of the dispenser drawer.
- Detergent is flushed from the dispenser at the beginning of the cycle. Either powdered or liquid detergent can be used. **Note:** Liquid detergent will drain into the washer drum as it is added.
- Low sudsing detergent is recommended for this washer. Use the manufacturer's recommended amount.
- If low sudsing detergent is not available, a reduced amount of regular detergent may be used. Because reducing the amount of detergent may reduce cleaning, it is important to pretreat stains, sort carefully by color and soil level, and avoid overloading.
- Detergent usage may need to be adjusted for water temperature, water hardness, size and soil level of the load.
- For best results, avoid oversudsing.

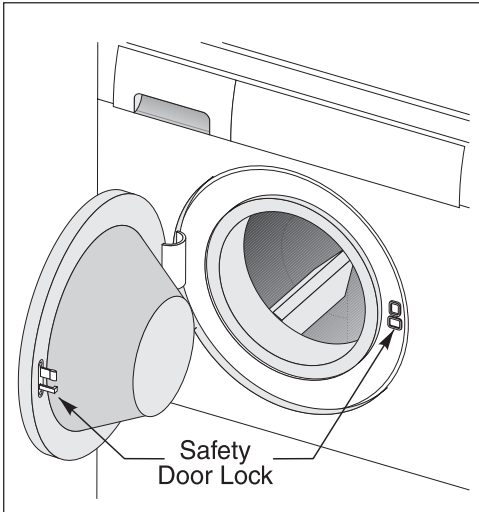


D. FABRIC SOFTENER

- If desired, pour the recommended amount of fabric softener into the compartment labeled "Fabric Softener" and marked with this symbol .
- Dilute concentrated softeners with warm water to the Fill Line.
- Do not exceed the maximum fill line. Overfilling can cause early dispensing of the fabric softener which could result in stained clothes.
- **Do not pour fabric softener directly on the wash load.**
- Use of a fabric softener dispensing ball is not recommended in tumble action washers.

Washing Procedures

(continued)



Do not store or place laundry products on top of washer at any time. They can damage the finish or controls.

6. Set cycle selector knob and washer controls according to type, size, and soil level of each load.

(See **Operating Instructions** for your specific model controls.)

7. Start the washer.

Close the washer door and pull out the cycle selector knob. For your safety, the door will automatically lock during the entire wash cycle. The Door Lock indicator light will remain lit until the cycle ends.

- Washer will fill and tumble.
- To stop the washer, push in the cycle selector knob.
- To open the door during tumbling, push in the cycle selector knob. Wait for the water to run off of the door.
- To change a cycle, push in the cycle selector knob and turn it **clockwise** to the desired setting. Pull out the knob to restart the washer.
- To open the door during a spin cycle, push in the cycle selector knob. The Door Lock indicator light will turn off. Wait 1-2 minutes for the lock to release. The door can then be opened. Do not force open the locked door.

8. Remove items when the cycle is completed.

Place washed items in automatic dryer, line dry, or dry flat as directed by fabric care label. Excess wrinkling, color transfer or odors may develop in items left in the washer after the cycle has ended.

9. General Precautions

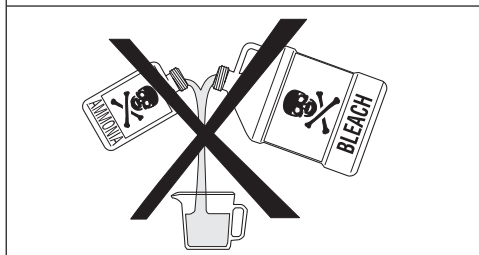
- **Dispenser drawer should be closed completely during operation.**
- **Do not slam the washer door closed or try to force the door open when locked (Door Lock light ON).** This could result in damage to the washer.
- **DO NOT leave the washer door open.** An open door could entice children to hang on the door or crawl inside the washer.
- To avoid damaging the washer and personal injury, DO NOT hang on or lean against the washer door.
- Do not place detergent, bleach or fabric softener containers on top of the washer. They can damage the finish or controls.



As an ENERGY STAR® Partner, ELECTROLUX Home Products has determined that this product meets the ENERGY STAR® guidelines for energy efficiency.

Stain Removal

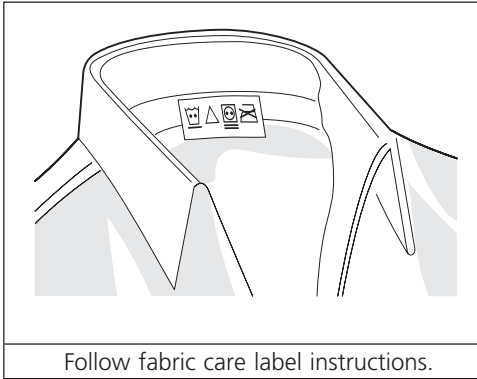
⚠ WARNING Do not use or mix liquid chlorine bleach with other household chemicals such as toilet cleaners, rust removers, acid or products containing ammonia. These mixtures can produce dangerous fumes which can cause serious injury or death.



Safe Stain Removal Procedures

⚠ WARNING To reduce the risk of fire or serious injury to persons or property, comply with the basic warnings listed below:

- Read and comply with all instructions on stain removal products.
- Keep stain removal products in their original labeled containers and out of children's reach.
- Thoroughly wash any utensil used.
- Do not combine stain removal products, especially ammonia and chlorine bleach. Dangerous fumes may result.
- Never wash items which have been previously cleaned in, washed in, soaked in or spotted with gasoline, dry cleaning solvents or other flammable or explosive substances because they give off vapors that could ignite or explode.
- Never use highly flammable solvents, such as gasoline, inside the home. Vapors can explode on contact with flames or sparks.



For successful stain removal:

- Remove stains promptly.
- Determine the kind of stain, then follow the recommended treatment in the stain removal chart below.
- To pretreat stains, use a prewash product, liquid detergent, or a paste made from granular detergent and water.
- Use cold water on unknown stains because hot water can set stains.
- Check care label instructions for treatments to avoid on specific fabrics.
- Check for colorfastness by testing stain remover on an inside seam.
- Rinse and wash items after stain removal.

Stain Removal

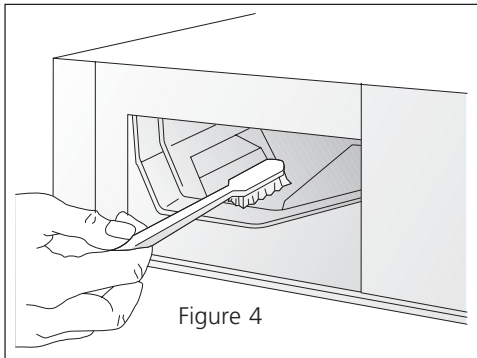
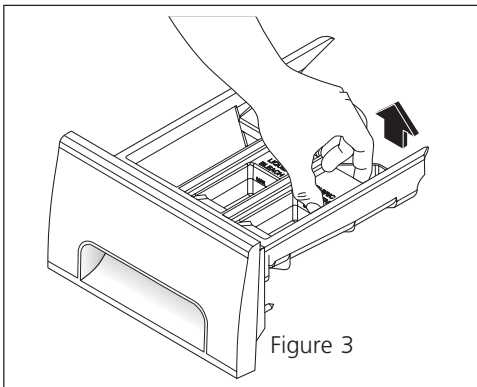
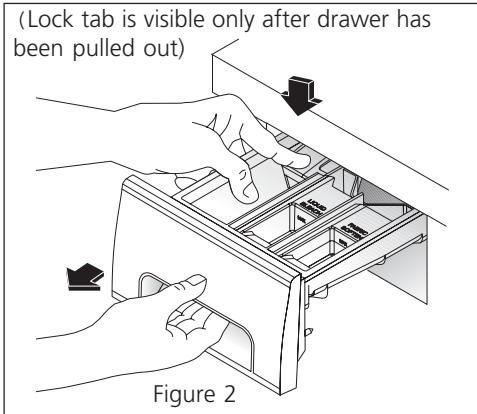
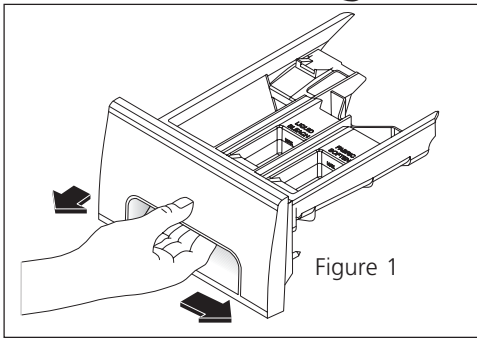
STAIN	TREATMENT
Adhesive tape, chewing gum, rubber cement	Apply ice. Scrape off excess. Place stain face down on paper towels. Saturate with prewash stain remover or nonflammable dry cleaning fluid.
Baby formula, dairy products, egg	Use product containing enzymes to pretreat or soak stains. Soak for 30 minutes or more. Wash.
Beverages (coffee, tea, soda, juice, alcoholic beverages)	Pretreat stain. Wash using cold water and bleach safe for fabric.
Blood	Rinse with cold water. Rub with bar soap. Or, pretreat or soak with product containing enzymes. Wash using bleach safe for fabric.
Candle wax, crayon	Scrape off surface wax. Place stain face down between paper towels. Press with warm iron until wax is absorbed. Replace paper towels frequently. Treat remaining stain with prewash stain remover or nonflammable dry cleaning fluid. Hand wash to remove solvent. Wash using bleach safe for fabric.
Chocolate	Pretreat or soak in warm water using product containing enzymes. Wash using bleach safe for fabric.
Collar or cuff soil, cosmetics	Pretreat with prewash stain remover or rub with bar soap.
Dye transfer on white fabric	Use packaged color remover. Wash using bleach safe for fabric.
Grass	Pretreat or soak in warm water using product containing enzymes. Wash using bleach safe for fabric.
Grease, oil, tar (butter, fats, salad dressing, cooking oils, car grease, motor oils)	Scrape residue from fabric. Pretreat. Wash using hottest water safe for fabric. For heavy stains and tar, apply nonflammable dry cleaning fluid to back of stain. Replace towels under stain frequently. Rinse thoroughly. Wash using hottest water safe for fabric.
Ink	Some inks may be impossible to remove. Washing may set some inks. Use prewash stain remover, denatured alcohol or nonflammable dry cleaning fluid.
Mildew, scorch	Wash with chlorine bleach if safe for fabric. Or, soak in oxygen bleach and hot water before washing. Badly mildewed fabrics may be permanently damaged.
Mud	Brush off dry mud. Pretreat or soak with product containing enzymes.
Mustard, tomato	Pretreat with prewash stain remover. Wash using bleach safe for fabric.
Nail polish	May be impossible to remove. Place stain face down on paper towels. Apply nail polish remover to back of stain. Repeat, replacing paper towels frequently. Do not use on acetate fabrics.
Paint, varnish	WATER BASED: Rinse fabric in cool water while stain is wet. Wash. Once paint is dry, it cannot be removed. OIL BASED AND VARNISH: Use solvent recommended on can label. Rinse thoroughly before washing.
Perspiration	Use prewash stain remover or rub with bar soap. Rinse. Wash using nonchlorine bleach in hottest water safe for fabric.
Rust, brown or yellow discoloration	For spots, use rust remover safe for fabric. For discoloration of an entire load, use phosphate detergent and nonchlorine bleach. Do not use chlorine bleach because it may intensify discoloration.
Shoe polish	LIQUID: Pretreat with a paste of granular detergent and water. PASTE: Scrape residue from fabric. Pretreat with prewash stain remover or nonflammable dry cleaning fluid. Rinse. Rub detergent into dampened area. Wash using bleach safe for fabric.
Urine, vomit, mucus, feces	Pretreat or soak in product containing enzymes. Wash using bleach safe for fabric.

Common Washing Problems

Many washing problems involve poor soil and stain removal, residues of lint and scum, and fabric damage. For satisfactory washing results, follow these suggestions provided by The Soap and Detergent Association.

PROBLEM	POSSIBLE CAUSES	SOLUTIONS	PREVENTIVE MEASURES
Blue stains	<ul style="list-style-type: none"> •Undiluted liquid detergent or fabric softener dispensed directly onto fabric. 	<ul style="list-style-type: none"> •If caused by detergent, mix 1 cup (240 ml) white vinegar with 1 quart (.95 L) water in a plastic container. Soak item 1 hour. Rinse. •If caused by fabric softener, rub stains with bar soap. Wash. 	<ul style="list-style-type: none"> •Avoid overfilling detergent and fabric softener compartments of dispenser.
Discoloration, graying	<ul style="list-style-type: none"> •Not enough detergent. •Wash water temperature too low. •Incorrect sorting. 	<ul style="list-style-type: none"> •Rewash with correct amount of detergent and hottest water safe for fabric. Add bleach safe for fabric. 	<ul style="list-style-type: none"> •Sort items by soil level and color. •Use correct amount of detergent, hottest water and bleach safe for fabric.
Greasy, oily stains	<ul style="list-style-type: none"> •Not enough detergent. •Undiluted liquid fabric softener poured directly on fabric. 	<ul style="list-style-type: none"> •Treat with prewash stain remover or liquid detergent. •Increase detergent and water temperature. Rewash. •Rub fabric softener stains with bar soap. 	<ul style="list-style-type: none"> •Use correct amount of detergent and hottest water safe for fabric. •Do not pour liquid fabric softener directly on fabric. See Washing Procedures for directions on adding softener.
Holes, tears, or snags	<ul style="list-style-type: none"> •Incorrect use of chlorine bleach. •Unfastened zippers, hooks, buckles. •Rips, tears and broken threads. •Overloading the washer. •Degradation of fabric. 	<ul style="list-style-type: none"> •May be irreversible if rips, tears and seams cannot be mended. 	<ul style="list-style-type: none"> •Never pour chlorine bleach directly on fabric. •Check condition of items before washing. See Washing Procedures for preparing and loading the wash load and adding chlorine bleach.
Lint	<ul style="list-style-type: none"> •Incorrect sorting. •Tissues left in pocket. •Overloading the washer. •Not enough detergent. •Undissolved detergent has left a residue resembling lint. •Static cling is attracting lint. •Load washed too long. 	<ul style="list-style-type: none"> •Reduce load size. Rewash using correct water temperature, water level, and amount of detergent. •Add nonprecipitating water conditioner to wash water to remove detergent residue. •Add liquid fabric softener to final rinse. •Dry load in dryer. •Remove lint with lint brush or roller. 	<ul style="list-style-type: none"> •See Washing Procedures for sorting and preparing the wash load. •Do not overload washer. •Use correct temperature and amount of detergent, water and wash time.
Pilling (Fibers break off, ball up and cling to fabric.)	<ul style="list-style-type: none"> •Pilling is normal with synthetic and permanent press fabrics. This is due to abrasion from normal wear. 	<ul style="list-style-type: none"> •Use a lint brush or shaver to remove pills. 	<ul style="list-style-type: none"> •Use fabric softener in the washer to lubricate fibers. •When ironing, use spray starch or fabric finish on collars and cuffs. •Turn items inside out to reduce abrasion.
"Polka dots" (small circles of lint and soil on load after cycle ends)	<ul style="list-style-type: none"> •Wash temperature too low. •Not enough detergent. •Water is hard. •Incorrect sorting. 	<ul style="list-style-type: none"> •Rewash in hottest water safe for fabrics. •Use correct water temperature and amount of detergent. 	<ul style="list-style-type: none"> •Use hottest water safe for fabric. •Use correct water temperature and amount of detergent. •Use nonprecipitating water conditioner. •Avoid overfilling detergent and fabric softener compartments of dispenser.
Residue or powder on dark items; Stiff, harsh fabrics.	<ul style="list-style-type: none"> •Undissolved detergent. •Some nonphosphate granular detergents can combine with hard water minerals to form a residue. •Overloading the washer. 	<ul style="list-style-type: none"> •Rewash load. 	<ul style="list-style-type: none"> •Increase water temperature using hottest water safe for fabric. •Do not overload washer. •Use liquid detergent or use nonprecipitating water conditioner with nonphosphate granular detergent.
Wrinkling	<ul style="list-style-type: none"> •Overloading the washer. •Incorrect wash cycle for wash load. 	<ul style="list-style-type: none"> •Reduce load size. •Rinse in cold water with liquid fabric softener using the Perm Press or Delicate cycle. 	<ul style="list-style-type: none"> •Do not overload washer. •Remove items from washer as soon as cycle is completed. •Use liquid fabric softener.
Yellow buildup of body soil on synthetic fabrics	<ul style="list-style-type: none"> •Agitation time too short. •Wash water temperature too low. •Not enough detergent. 	<ul style="list-style-type: none"> •Soak in detergent booster or product containing enzymes. •Wash in hot water using full permanent press cycle. Increase detergent. Add bleach safe for fabric. •Or, treat with color remover. 	<ul style="list-style-type: none"> •Select correct wash cycle. •Use correct amount of detergent. •Wash synthetics frequently using hot or warm water.
Yellow or brown rust stains	<ul style="list-style-type: none"> •Iron or manganese in water supply, water pipes, or water heater. 	<ul style="list-style-type: none"> •To restore discolored load of whites, use rust remover safe for fabric. •Do not use chlorine bleach to remove rust stains. It may intensify discoloration. 	<ul style="list-style-type: none"> •Use nonprecipitating water softener. •Before washing, run hot water for a few minutes to clear lines. •Drain water heater occasionally. •For an ongoing problem, install an iron filter in your water supply system.

Care and Cleaning



TO REFRESH OR CLEAN INSIDE OF THE WASHER:

IMPORTANT: Do not load garments or other items in the washer when cleaning the inside of the washer.

- Add a 1/2 cup of liquid bleach to the detergent compartment of the dispenser drawer and fill the bleach dispenser compartment to the Max Fill level and run WITHOUT a clothes load using the Normal Cycle setting.

For Other Inside Cleaning

- Remove items from the washer as soon as the cycle ends. Excess wrinkling, color transfer, and odors may develop in items left in the washer.
- Before cleaning the washer interior, **unplug the electrical power cord** to avoid electrical shock hazards.
- Dry around the washer door opening, flexible gasket, and door glass. These areas should always be clean to ensure a water tight seal.
- When extremely soiled items have been washed, a dirty residue may remain on the drum. Remove this by wiping the drum with a nonabrasive household cleanser. Rinse thoroughly with water.
- The plastic drum vanes may become stained from fabric dye. Clean these parts with a nonabrasive household cleanser. This prevents dye transfer to future loads.

Cleaning the Dispenser Drawer Area

Detergent and fabric softener may build up in the dispenser drawer. Residue should be removed once or twice a month.

- Remove the drawer by first sliding the safety latch to the right, then pulling the drawer out until it stops. (Figure 1)
- Reach back into the left rear corner of the drawer cavity and press down firmly on the lock tab (left rear portion of the drawer). Pull out the drawer. (Figure 2)
- Remove the inserts from the bleach and fabric softener compartments. (Figure 3)
- Rinse the drawer and inserts with hot tap water to remove traces of accumulated powders and liquids.
- To clean the drawer opening, use a small brush to clean the recess. Remove all residue from the upper and lower parts of the recess. (Figure 4)
- Return the bleach and fabric softener inserts to their proper compartments. Replace the dispenser drawer and run the Prewash cycle without any wash load in the drum.

Outside

- When washing is completed, wipe top and sides of washer with a damp cloth. Turn water faucets off to prevent pressure build-up in the hoses.
- As needed, clean the cabinet with mild soap and water. **Never use harsh, gritty or abrasive cleansers.** If door or console becomes stained, clean with diluted chlorine bleach [1/2 cup (120 ml) in 1 quart (.95 L) water]. Rinse several times with clear water.
- Remove glue residue from tape or labels with a mixture of warm water and mild detergent. Or, touch residue with the sticky side of the tape or label.
- When cleaning chrome parts use Windex with ammonia or any of the cleaning items mentioned for cleaning the cabinet.
- **Before moving the washer,** place a strip of cardboard or thin fiberboard under the front leveling legs to prevent floor damage.

Winterizing Instructions

If the washer is stored in an area where freezing can occur or moved in freezing temperatures, follow these winterizing instructions to prevent damage to the washer:

1. Turn off water supply faucets.
2. Disconnect hoses from water supply and drain water from hoses.
3. Plug electrical cord into a properly grounded electrical outlet.
4. Add 1 gallon (3.8 L) nontoxic recreational vehicle (RV) antifreeze to empty wash drum. Close door.
5. Set cycle selector knob at a spin setting. Pull out knob and let washer spin for 1 minute to drain out all water. Not all of the RV antifreeze will be expelled.
6. Push in knob, unplug electrical power cord, dry drum interior, and close door.
7. Remove dispenser drawer. Drain any water in compartments and dry compartments. Replace drawer.
8. Store washer in an upright position.
9. To remove antifreeze from washer after storage, run empty washer through a complete cycle using detergent. **Do not add wash load.**

Avoid Service Checklist

Before calling for service, review this list. It may save both time and expense. The list includes common concerns that are not the result of defective workmanship or materials in this washer.

OCCURRENCE

POSSIBLE CAUSE / SOLUTION

NOISE

"Clicking" noise.	<ul style="list-style-type: none">• A normal sound made by the timer.
High pitch "jet engine" noise.	<ul style="list-style-type: none">• A certain amount of motor whine is normal during the spin cycle.
Rattling and clanking noise.	<ul style="list-style-type: none">• Foreign objects such as coins or safety pins may be in drum or pump. Stop washer and check drum. If noise continues after washer is restarted, objects may be in pump. Call your authorized servicer.• Belt buckles and metal fasteners are hitting wash drum. To prevent unnecessary noise and damage to drum, fasten fasteners and turn items inside out.
Squealing sound or hot rubber odor.	<ul style="list-style-type: none">• Washer is overloaded. Do not overload washer. Stop washer and reduce load.
Thumping sound.	<ul style="list-style-type: none">• Heavy wash loads may produce a thumping sound. This is usually normal. If sound continues, washer is probably out of balance. Stop washer and redistribute wash load.
Vibrating noise.	<ul style="list-style-type: none">• Washer is not resting firmly on floor. Move washer so it rests firmly on floor. Adjust leveling legs. See INSTALLATION INSTRUCTIONS for details.• Shipping bolts and foam block have not been removed during installation. See INSTALLATION INSTRUCTIONS for removing shipping bolts and foam block.• Wash load unevenly distributed in drum. Stop washer and rearrange wash load.

OPERATING

Washer does not start.	<ul style="list-style-type: none">• Electrical power cord may not be plugged in or connection may be loose. Make sure plug fits tightly in wall outlet.• House fuse blown, circuit breaker tripped, or a power outage has occurred. Reset circuit breaker or replace fuse. Do not increase fuse capacity. If problem is a circuit overload, have it corrected by a qualified electrician. If problem is a power outage, call local electric company.• Water supply faucets are not turned on. Turn on water supply faucets.• Cycle selector is not in correct position. Move indicator clockwise slightly. Pull out knob.• Motor is overheated. Washer motor will stop if it becomes overheated. It will automatically restart after a cool down period of up to 30 minutes (if washer has not been manually turned off).• Washer door is not completely closed. Close door completely.
Washer won't spin.	<ul style="list-style-type: none">• Load is too small. Add 1 or 2 similar items to help balance the load.
Residue left in drum.	<ul style="list-style-type: none">• Heavily soiled items. Wipe drum with a nonabrasive household cleanser, then rinse. Shake or brush excess dirt and sand from items before washing.
Laundry additives didn't dispense.	<ul style="list-style-type: none">• Dispenser drawer open. Drawer should be completely closed for laundry additive to dispense.
WATER	
Water collects in bleach and fabric softener compartments.	<ul style="list-style-type: none">• This is a result of the siphoning action and is part of the normal operation of the washer. Water may be removed by removing the dispenser drawer (see Page 9, Figures 1 and 2) and draining water into the empty drum or sink.
Wash load too wet after spin.	<ul style="list-style-type: none">• Washer is overloaded. Do not overload washer. See Washing Procedures.• Load is too small. Add 1 or 2 similar items to help balance the load.• Load is out of balance. Rearrange load to allow proper spinning.
Water does not enter washer or it enters slowly.	<ul style="list-style-type: none">• Drain hose is kinked. Straighten drain hose.• Water supply is not adequate in area. Check another faucet in the house. Wait until water supply and pressure increase.• Water supply faucets are not completely open. Fully open hot and cold faucets.• Water is being used elsewhere in the house. Water pressure must be at least 30 psi (260 kPa). Avoid running water elsewhere while washer is filling.• Water inlet hoses are kinked. Straighten hoses.
Warm or hot water is not hot enough.	<ul style="list-style-type: none">• Hot water heater is set too low or is a distance from washer. Measure hot water temperature at nearby faucet with candy or meat thermometer. Water temperature should be at least 120°F (49°C). Adjust water heater as necessary.• Hot water is being used elsewhere in the house. Avoid using hot water elsewhere before or during washer use. There may not be enough hot water available for proper cleaning. If problem persists, your hot water system may be unable to support more than 1 use at a time.
Water in washer does not drain or drains slowly.	<ul style="list-style-type: none">• Drain hose is kinked or clogged. Clean and straighten the drain hose.• House drain pipes are clogged. Unclog drain pipes. Contact plumber if necessary.
Water leaks.	<ul style="list-style-type: none">• Fill hose connection is loose at faucet or washer. Check and tighten hose connections. Install rubber sealing washers provided.• Oversudsing. Use less detergent.• Dispenser drawer is open. Close drawer when washer is operating..
Incorrect wash and rinse temperatures.	<ul style="list-style-type: none">• Hot and cold water hoses are connected to wrong supply faucets. Connect hot water hose to hot water faucet and cold water hose to cold water faucet.
Water is entering washer but tub does not fill.	<ul style="list-style-type: none">• Drain hose standpipe is incorrect height. Standpipe must be a minimum of 23.6" (60 cm) high to prevent siphoning. See INSTALLATION INSTRUCTIONS.

Major Appliance Warranty Information

Your appliance is covered by a one year limited warranty. For one year from your original date of purchase, Electrolux will pay all costs for repairing or replacing any parts of this appliance that prove to be defective in materials or workmanship when such appliance is installed, used and maintained in accordance with the provided instructions.

Exclusions **This warranty does not cover the following:**

1. Products with original serial numbers that have been removed, altered or cannot be readily determined.
2. Product that has been transferred from its original owner to another party or removed outside the USA or Canada.
3. Rust on the interior or exterior of the unit.
4. Products purchased "as-is" are not covered by this warranty.
5. Food loss due to any refrigerator or freezer failures.
6. Products used in a commercial setting.
7. Service calls which do not involve malfunction or defects in materials or workmanship, or for appliances not in ordinary household use or used other than in accordance with the provided instructions.
8. Service calls to correct the installation of your appliance or to instruct you how to use your appliance.
9. Expenses for making the appliance accessible for servicing, such as removal of trim, cupboards, shelves, etc., which are not a part of the appliance when it is shipped from the factory.
10. Service calls to repair or replace appliance light bulbs, air filters, water filters, other consumables, or knobs, handles, or other cosmetic parts.
11. Surcharges including, but not limited to, any after hour, weekend, or holiday service calls, tolls, ferry trip charges, or mileage expense for service calls to remote areas, including the state of Alaska.
12. Damages to the finish of appliance or home incurred during installation, including but not limited to floors, cabinets, walls, etc.
13. Damages caused by: services performed by unauthorized service companies; use of parts other than genuine Electrolux parts or parts obtained from persons other than authorized service companies; or external causes such as abuse, misuse, inadequate power supply, accidents, fires, or acts of God.

DISCLAIMER OF IMPLIED WARRANTIES; LIMITATION OF REMEDIES

CUSTOMER'S SOLE AND EXCLUSIVE REMEDY UNDER THIS LIMITED WARRANTY SHALL BE PRODUCT REPAIR OR REPLACEMENT AS PROVIDED HEREIN. CLAIMS BASED ON IMPLIED WARRANTIES, INCLUDING WARRANTIES OF MERCHANTABILITY OR FITNESS FOR A PARTICULAR PURPOSE, ARE LIMITED TO ONE YEAR OR THE SHORTEST PERIOD ALLOWED BY LAW, BUT NOT LESS THAN ONE YEAR. ELECTROLUX SHALL NOT BE LIABLE FOR CONSEQUENTIAL OR INCIDENTAL DAMAGES SUCH AS PROPERTY DAMAGE AND INCIDENTAL EXPENSES RESULTING FROM ANY BREACH OF THIS WRITTEN LIMITED WARRANTY OR ANY IMPLIED WARRANTY. SOME STATES AND PROVINCES DO NOT ALLOW THE EXCLUSION OR LIMITATION OF INCIDENTAL OR CONSEQUENTIAL DAMAGES, OR LIMITATIONS ON THE DURATION OF IMPLIED WARRANTIES, SO THESE LIMITATIONS OR EXCLUSIONS MAY NOT APPLY TO YOU. THIS WRITTEN WARRANTY GIVES YOU SPECIFIC LEGAL RIGHTS. YOU MAY ALSO HAVE OTHER RIGHTS THAT VARY FROM STATE TO STATE.

If You Need Service Keep your receipt, delivery slip, or some other appropriate payment record to establish the warranty period should service be required. If service is performed, it is in your best interest to obtain and keep all receipts. Service under this warranty must be obtained by contacting Electrolux at the addresses or phone numbers below.

This warranty only applies in the USA and Canada. In the USA, your appliance is warranted by Electrolux Major Appliances North America, a division of Electrolux Home Products, Inc. In Canada, your appliance is warranted by Electrolux Canada Corp. Electrolux authorizes no person to change or add to any obligations under this warranty. Obligations for service and parts under this warranty must be performed by Electrolux or an authorized service company. Product features or specifications as described or illustrated are subject to change without notice.

USA
1.800.944.9044
Electrolux Major Appliances
North America
P.O. Box 212378
Augusta, GA 30907




Canada
1.800.668.4606
Electrolux Canada Corp.
5855 Terry Fox Way
Mississauga, Ontario, Canada
L5V 3E4

Table des matières

Consignes de sécurité importantes.....	12-14
Instructions de lavage.....	14-16
Détachage.....	16-17
Problèmes de lessive courants.....	18
Entretien et nettoyage.....	19-20
Guide de dépannage.....	20-21
Garantie.....	22
Back Cover.....	24



Assistance ou Service

Le symbole  sur le produit ou son emballage indique que ce produit ne peut être traité comme déchet ménager. Il doit être remis au point de collecte dédié à cet effet (collecte et recyclage du matériel électrique et électronique). En procédant à la mise à la casse réglementaire de l'appareil, nous préservons l'environnement et notre sécurité, s'assurant ainsi que les déchets seront traités dans des conditions appropriées. Pour obtenir plus de détails sur le recyclage de ce produit, veuillez prendre contact avec les services de votre commune ou le magasin où vous avez effectué l'achat.

Le présent Guide de l'utilisateur décrit le mode d'emploi général de la sècheuse. Il contient également des renseignements sur les caractéristiques de divers autres modèles. Les caractéristiques décrites ici peuvent ne pas s'appliquer à toutes les laveuses.

N'utiliser la laveuse que conformément au Guide de l'utilisateur et à la **Notice de fonctionnement** qui l'accompagnent.

La sécurité de l'utilisateur et celle des autres sont très importantes.

Le Guide de l'utilisateur, le mode d'emploi et les directives d'utilisation de la sècheuse contiennent de nombreux messages importants relatifs à la sécurité. Toujours lire et respecter tous les messages relatifs à la sécurité.

Lisez ce manuel en entier avant de vous servir de cet appareil. Ce manuel renferme de précieuses informations sur

- le fonctionnement
- l'entretien
- le service après-vente

Conserver en lieu sûr.

Lire et conserver ces instructions

Noter les numéros de modèle et de série

Les numéros de modèle et de série de la laveuse se trouvent sur la plaque signalétique à l'intérieur de l'ouverture de la porte. Noter et conserver ces numéros.

N° de modèle _____

N° de série _____

Date de l'achat _____

SÉCURITÉ DE LA LAVEUSE

Votre sécurité et celle des autres est très importante.

Nous donnons de nombreux messages de sécurité importants dans ce manuel et sur votre appareil ménager. Assurez-vous de toujours lire tous les messages de sécurité et de vous y conformer.



Voici le symbole de mise en garde. Ce symbole met en garde contre les risques pouvant entraîner le décès ou des blessures à soi ou aux autres. Tous les messages relatifs à la sécurité sont précédés du symbole de mise en garde et du terme « DANGER » ou « AVERTISSEMENT ». Ces termes signifient :



L'utilisateur sera tué gravement blessé s'il ne suit pas ces directives.



L'utilisateur peut être tué ou gravement blessé s'il ne suit pas ces directives.

Tous les messages relatifs à la sécurité indiquent le risque, comment réduire le risque de blessure et ce qui peut survenir si on ne suit pas les directives.

Consignes de sécurité importantes

CONSERVER CE MODE D'EMPLOI



Pour réduire le risque de feu, de choc électrique, de blessure graves ou de dommage aux biens, respectez les avertissements de base énumérés dans les **Instructions de sécurité importantes** et ceux énumérés ci-dessous :

- Pour réduire les risques d'incendie, d'électrocution ou de blessures pendant l'utilisation de la laveuse, respecter toutes les mises en garde fondamentales qui suivent.
- Toute dérogation à ces mises en garde pourrait entraîner des blessures graves.

Consignes de sécurité importantes (Suite)

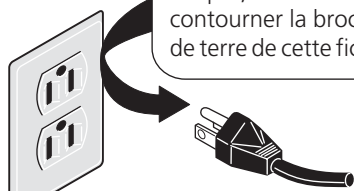
POUR VOTRE SÉCURITÉ

Ne pas entreposer ni utiliser de l'essence ni tout autre vapeur ou liquide inflammable à proximité de cet appareil ou de tout autre appareil électroménager.

⚠ AVERTISSEMENT Pour prévenir les risques d'incendie ou d'électrocution, ne pas utiliser de fiche adaptatrice ni de cordon de rallonge et ne pas retirer la prise de terre du cordon d'alimentation électrique. Toute dérogation à cette consigne pourrait entraîner des blessures graves, un incendie ou la mort.

Prise murale mise à la terre

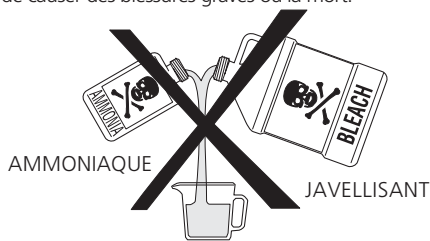
Il ne faut en aucun cas couper, retirer ou contourner la broche de terre de cette fiche.



Cordon d'alimentation avec fiche à 3 broches mise à la terre

CORRECT Utiliser SEULEMENT de cette façon

⚠ AVERTISSEMENT Ne pas utiliser ni mélanger de javellisant liquide chloré avec d'autres produits chimiques d'usage domestique comme les net-toyants pour cuvettes, les produits dérouillants, acides ou contenant de l'ammoniaque. Ces mélanges peuvent dégager des vapeurs dangereuses capables de causer des blessures graves ou la mort.



Remarque : Les directives qui figurent dans le Guide de l'utilisateur ne sauraient couvrir toutes les circonstances et les situations possibles. Il faut donc faire preuve de jugement et de prudence pendant l'installation, l'utilisation et l'entretien de tout appareil électroménager.

Prévention des incendies

- Ne pas laver dans cet appareil des articles qui ont été au préalable lavés ou trempés dans de l'essence, du solvant nettoyant, du kérosène, de l'huile à cuisson, de la cire, etc., ni des articles qui sont souillés de ces produits. Ne pas entreposer de tels articles sur la laveuse ni à proximité de celle-ci. Les produits décrits ci-dessus dégagent des vapeurs ou réactions chimiques qui peuvent s'enflammer ou exploser.
- Ne pas déposer de chiffons ou de vêtements imbibés d'huile ou de graisse sur le dessus de la laveuse. Ces substances dégagent des vapeurs qui peuvent enflammer les tissus.
- Ne pas ajouter d'essence, de solvant nettoyant ni toute autre substance inflammable ou explosive à l'eau de lavage. Ces substances dégagent des vapeurs qui peuvent s'enflammer ou exploser.
- Dans certaines circonstances, de l'hydrogène peut s'accumuler dans les canalisations d'eau chaude qui demeurent inutilisées pendant deux semaines ou plus. L'HYDROGÈNE EST UN GAZ EXPLOSIF. Si la canalisation d'eau chaude n'a pas été utilisée depuis au moins deux semaines, ouvrir tous les robinets d'eau chaude et laisser couler l'eau pendant plusieurs minutes avant d'utiliser la laveuse. De cette façon, toute trace d'hydrogène sera purgée de la canalisation. L'hydrogène est un gaz explosif; ne pas fumer ni utiliser de flamme vive pendant la purge de la canalisation.
- Toute dérogation à ces mises en garde pourrait entraîner un incendie, une explosion, des blessures graves ou des dommages aux pièces en caoutchouc ou en plastique de la laveuse.

Protection des enfants

- Ne pas permettre aux enfants de jouer sur la laveuse ni à l'intérieur de celle-ci. Lorsque la laveuse est utilisée à proximité d'enfants, il est recommandé de les surveiller attentivement. Dès que les enfants sont assez grands, leur enseigner l'utilisation correcte et sécuritaire de tous les appareils électroménagers.
- Détruire la boîte, le sac en plastique et les autres matériaux d'emballage qui enveloppent la laveuse. Les enfants risqueraient de s'en servir comme jouet. Les cartons recouverts d'un tapis, d'un couvre-lit ou d'une feuille de plastique peuvent former une chambre étanche.
- Garder les produits à lessive hors de portée des enfants. Pour prévenir les blessures, respecter toutes les consignes de sécurité qui figurent sur l'étiquette de ces produits.
- Avant de mettre la laveuse hors d'usage ou de la jeter, retirer la porte pour éviter que quelqu'un ne s'emprisonne accidentellement dans l'appareil.
- Toute dérogation à ces mises en garde pourrait entraîner des blessures graves.

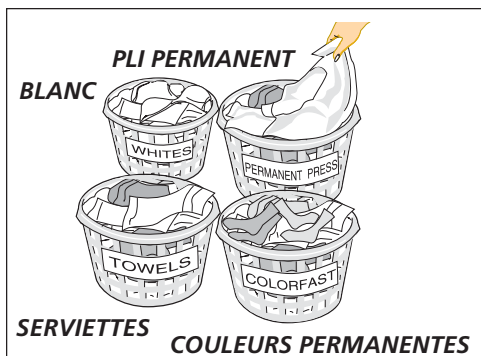
Prévention des blessures

- Pour prévenir les risques d'électrocution et assurer la stabilité de l'appareil pendant le fonctionnement, la laveuse doit être installée et mise à la terre par un technicien qualifié conformément aux codes locaux. La Notice d'installation accompagne la laveuse, mais elle est destinée à l'installateur. Se reporter à la NOTICE D'INSTALLATION pour obtenir la marche à suivre pour la mise à la terre. Si la laveuse doit être déplacée, la faire vérifier et réinstaller par un technicien qualifié.
- Pour prévenir les blessures et éviter d'endommager la laveuse, le cordon d'alimentation électrique de la laveuse doit être branché dans une prise à 3 trous correctement mise à la terre et polarisée. **La troisième broche de mise à la terre ne doit en aucun cas être retirée. Ne jamais relier la laveuse à un tuyau de gaz pour la mettre à la terre. Ne pas utiliser de cordon de rallonge ni de fiche adaptatrice.**
- Suivre le mode d'emploi de chaque produit à lessive utilisé. Une utilisation incorrecte pourrait produire des gaz toxiques et causer des blessures graves ou la mort.
- **Ne pas** utiliser plus d'un seul produit à lessive par brassée, à moins d'indications contraires sur l'emballage.
- **Ne pas** mélanger d'eau de javel avec de l'ammoniaque ou des produits acides comme le vinaigre.
- Pour prévenir les blessures graves et ne pas endommager la laveuse :
 - **Les réparations et l'entretien doivent être effectués uniquement par un agent de service autorisé** à moins d'indications spécifiques à l'effet contraire dans le présent Guide de l'utilisateur. N'utiliser que des pièces recommandées par le fabricant.
 - **Ne pas** modifier les commandes.
 - **Ne pas** installer ni entreposer la laveuse dans un endroit où elle serait exposée aux conditions atmosphériques.
 - **N'installez pas** la machine à laver sur un tapis. Installez-la sur un plancher solide. Il s'avérera peut-être nécessaire de solidifier le plancher pour empêcher les vibrations et le déplacement de la machine.

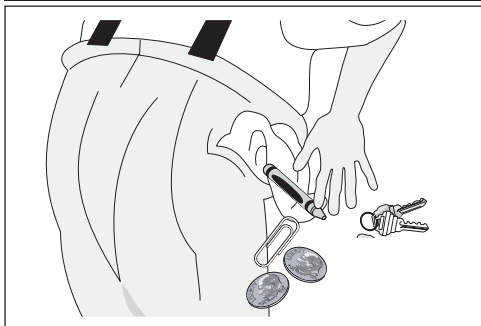
Consignes de sécurité importantes (Suite)

- Pour réduire les risques d'électrocution, débrancher l'appareil de sa source d'alimentation avant d'effectuer toute mesure d'entretien. Même si les commandes sont en position fermée (OFF), l'appareil demeure relié à sa source d'alimentation.
- Pour prévenir les blessures, ne pas insérer la main dans la laveuse tant que les pièces mobiles sont en mouvement. Avant de charger ou de décharger une brassée ou d'ajouter des articles, enfoncer le sélecteur de cycle et attendre que le tambour s'arrête complètement avant d'insérer la main dans la laveuse.
- Toute dérogation à ces mises en garde pourrait entraîner des blessures graves.
- Cette laveuse est pourvue d'un disjoncteur thermique. Le moteur s'éteint de lui-même lorsqu'il surchauffe. La laveuse redémarre d'elle-même après une période de refroidissement pouvant atteindre 30 minutes à condition qu'elle n'ait pas été arrêtée manuellement.

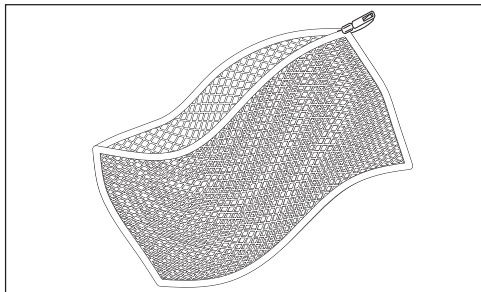
Instructions de lavage



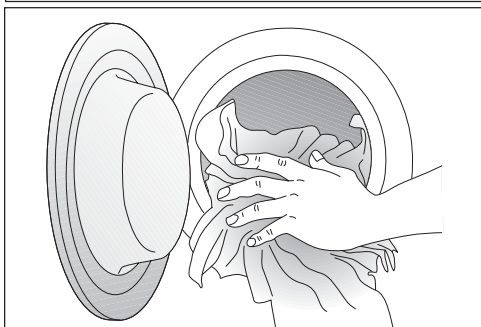
Regrouper par brassées les articles pouvant être lavés ensemble.



Vider les poches



Placer les articles fragiles dans une poche en filet.



Placer la brassée dans la laveuse.

- Respecter les directives qui suivent pour préparer la brassée.
- Lire la **Notice de fonctionnement** pour connaître le fonctionnement de votre modèle.
- **Toujours lire et suivre l'étiquette d'entretien de chaque article ainsi que l'étiquette du produit à lessive.**

⚠ AVERTISSEMENT Pour réduire les risques d'incendie, d'électrocution et de blessures, lire les **Consignes de sécurité importantes** avant d'utiliser la laveuse.

1. Regrouper par brassées les articles pouvant être lavés ensemble.

Séparer les articles suivant la température et la durée de lavage recommandées pour chacun.

- Séparer les articles blancs, de couleur pâle ou de couleur permanente des articles foncés ou de couleur non permanente.
- Séparer les articles qui produisent de la charpie des articles qui l'attirent. Le tissu à pli permanent, la fibre synthétique, le tricot et le velours côtelé attirent la charpie, les serviettes, les tapis et les couvre-lits en chenille en produisent.
- Séparer les articles très sales des articles moins sales.
- Séparer les articles bordés de dentelle ou extrêmement fins et les tricots lâches des articles résistants.
- Ne lavez pas à la machine les articles contenant de la fibre de verre. Des particules de fibre de verre demeurant dans la cuve peuvent adhérer aux tissus des autres brassées de linge, risquant ainsi de causer des éruptions cutanées.

2. Préparer les articles pour le lavage.

- Vider les poches.
- Enlever la charpie et la saleté en surface à l'aide d'une brosse. Secouer les tapis et les serviettes de plage.
- Fermer les fermetures éclair, attacher les agrafes, les cordons et les ceintures en tissu et retirer les garnitures et les ornements non lavables à la machine.
- Retirer les épingles, les boutons décoratifs, les boucles de ceintures et tout autre objet pouvant être endommagé pendant le lavage. Cette mesure protège également les autres articles de la brassée.
- Repriser les accrocs et les déchirures pour prévenir tout dommage additionnel pendant le lavage.
- Placer les articles fragiles comme les soutiens-gorge, les épaulettes, les basculottes et les ceintures dans une poche en filet pour éviter que ces articles ne s'emmêlent pendant le lavage.
- Tourner les tricots à l'envers pour éviter le moutonnement.

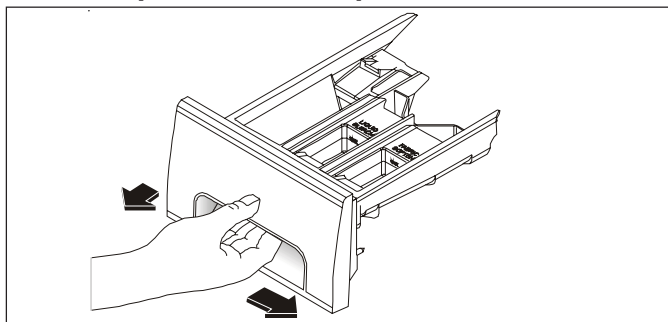
3. Prétraiter les taches et la saleté tenace.

Consulter la section **Détachage** pour la marche à suivre à cet égard.

4. Placer la brassée dans la laveuse.

- Jumeler les gros et les petits articles dans chaque brassée. Placer d'abord les gros articles dans la laveuse. Les gros articles ne devraient pas représenter plus de la moitié de la brassée totale.
- Le lavage d'un seul morceau de linge, comme un chandail, une serviette, un pantalon en denim, risque de causer un déséquilibre de la charge. Ajoutez un ou 2 articles du même genre afin de bien équilibrer la charge.
- Un simple article lourd, tel un couvre-lit, peut être lavé seul.
- Il est possible de charger complètement la machine à laver, mais le linge ne doit pas être trop tassé. La porte doit pouvoir se fermer facilement.

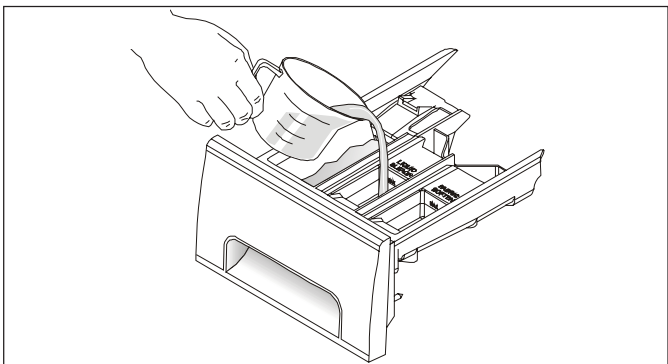
5. Verser le détergent, le javellisant et l'assouplisseur de tissu dans le distributeur automatique en respectant les étapes suivantes :



A. OUVERTURE ET FERMETURE DU TIROIR-DISTRIBUTEUR

- Ouvrir lentement le tiroir-distributeur en faisant glisser le loquet de sûreté vers la droite puis en tirant le tiroir jusqu'à ce qu'il s'immobilise.
- Après avoir versé les produits à lessive, refermer lentement le tiroir-distributeur. Si le tiroir était refermé trop rapidement, le javellisant et l'assouplisseur de tissu risqueraient d'être versés prématurément sur la brassée.
- Le tiroir de distributeur devrait être complètement fermé pour le ramollissant en poudre de détergent, d'agent de blanchiment et de tissu au distribué.
- Les produits lessiviels comme les détergents liquides ou en poudre, les agents de blanchiment sans danger pour les couleurs, les adoucisseurs d'eau et les produits à base d'enzymes, doivent être versés dans la cuve avant d'y placer le linge.

Remarque : De temps à autre, on peut retrouver de l'eau dans les compartiments prévus pour le javellisant et l'assouplisseur de tissu. Cette accumulation est causée par l'action siphonnante de la laveuse et elle est tout à fait normale.

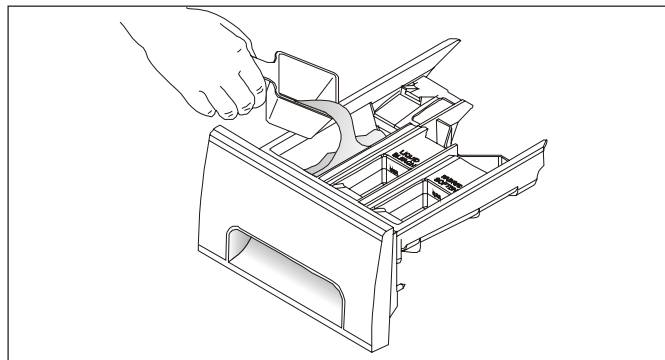


C. JAVELLISANT LIQUIDE

- Au besoin, mesurer la quantité recommandée de javellisant liquide (pas plus de 80 mL (1/3 tasse)) et verser le tout dans le compartiment central du tiroir portant la mention

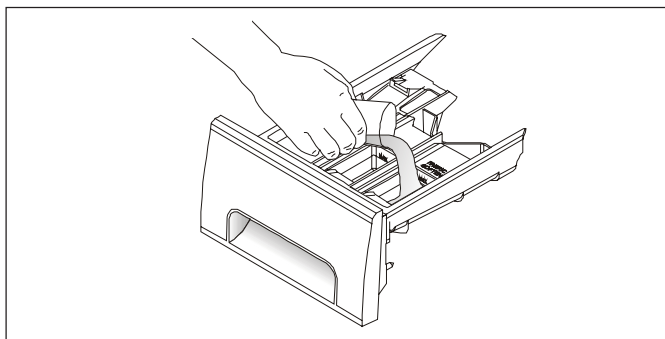
«Liquid Bleach» et le symbole

- Ne pas dépasser la ligne de niveau maximum sans quoi le javellisant pourrait être versé prématurément sur les vêtements et les endommager.
- Ne versez jamais d'agent de blanchiment chloré non dilué sur la brassée de linge ou directement dans la cuve. Ce faire risque d'endommager les vêtements.
- **Ne pas utiliser de javellisant en poudre dans le tiroir-distributeur.**



B. DÉTERGENT

- Verser la quantité voulue de détergent dans le compartiment à détergent du tiroir-distributeur.
- Le détergent est versé sur la brassée au début du cycle. On peut utiliser un détergent en poudre ou liquide. **Remarque:** Le détergent liquide s'écoule dans le tambour de la laveuse à mesure qu'il est versé dans le compartiment.
- Il est recommandé d'utiliser un détergent peu moussant dans cette laveuse. Utiliser la quantité recommandée par le fabricant.
- Utilisez un détergent peu moussant ou réduisez la quantité de détergent régulier. Réduire la quantité de détergent peut en diminuer l'efficacité, il est donc important de traiter au préalable les taches, d'assortir avec soin les couleurs, selon le degré de saleté, et d'éviter les charges excessives.
- La quantité de détergent utilisée peut varier selon la température et la dureté de l'eau, la taille de la brassée et le degré de saleté des articles à laver.
- Pour des résultats optimaux, éviter d'utiliser trop de détergent.

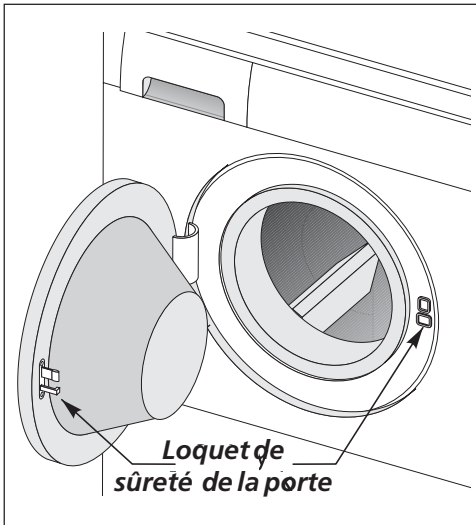


D. ASSOUPLISSUR DE TISSU

- Au besoin, verser la quantité recommandée d'assouplisseur de tissu dans le compartiment du tiroir portant la mention «Fabric Softener» et le symbole
- Diluez l'assouplisseur de tissu concentré dans l'eau tiède jusqu'à ce que celle-ci atteigne la ligne de remplissage.
- Ne pas dépasser la ligne de niveau maximum sans quoi l'assouplisseur de tissu pourrait être versé prématurément sur les vêtements et les tacher.
- **Ne pas verser l'assouplisseur de tissu directement sur la brassée.**
- L'utilisation d'un assouplisseur de tissu solide n'est pas recommandée dans une machine à laver à chargement frontal.

Instructions de lavage

(suite)



6. Régler le sélecteur de cycle et les commandes de la laveuse selon le type, la taille et le degré de saleté de chaque brassée.

(Se reporter à la Notice de fonctionnement pour connaître les commandes propres à chaque modèle.)

7. Démarrer la laveuse.

Fermer la porte de la laveuse et tirer sur le sélecteur de cycle. Par mesure de sécurité, la porte se barre d'elle-même et elle reste barrée pendant tout le cycle de lavage. L'indicateur de verrouillage de porte restera allumé jusqu'à ce que le cycle soit complété.

- La laveuse s'emplit d'eau et se met en mouvement.
- Pour arrêter la laveuse, enfoncer le sélecteur de cycle.
- Pour ouvrir la porte pendant l'agitation, enfoncer le sélecteur de cycle. Attendre que l'eau s'écoule de la porte.
- Pour changer de cycle, enfoncer le sélecteur de cycle et le tourner dans le sens des aiguilles d'une montre jusqu'à la position désirée. Tirer sur le sélecteur de cycle pour redémarrer la laveuse.
- Pour ouvrir la porte durant le cycle d'essorage, appuyez sur le bouton de commande de cycle. L'indicateur de verrouillage s'éteindra. Le déverrouillage peut durer de 1 - 2 minutes. Il sera ensuite possible d'ouvrir la porte. N'essayez pas d'ouvrir de force une porte verrouillée.

8. Retirer les articles une fois le cycle terminé.

Placer les articles propres dans la sècheuse automatique, les étendre sur une corde ou les sécher à plat selon les directives qui figurent sur l'étiquette d'entretien de chaque article. Les articles laissés dans la laveuse après la fin du cycle peuvent se froisser, absorber la couleur des articles qui les entourent ou développer des odeurs désagréables.

9. Précautions d'ordre général

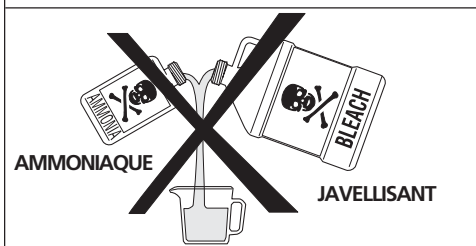
- **Le tiroir de distributeur devrait être fermé complètement lors du fonctionnement.**
- **Ne pas claquer la porte de la laveuse ni tenter de l'ouvrir de force lorsqu'elle est barrée (lampe «Door Lock» ALLUMÉE)** sans quoi la laveuse pourrait être endommagée.
- **NE PAS laisser la porte de la laveuse ouverte.** Cela pourrait encourager les enfants à se suspendre à la porte ou à entrer dans la laveuse.
- Pour éviter d'endommager la laveuse et prévenir les blessures, NE PAS se suspendre ni s'adosser à la porte de la laveuse.
- Ne pas placer de contenants de détergent, de javellisant ou d'assouplisseur de tissu sur la laveuse.



À titre de partenaire de ENERGY STAR[®], ELECTROLUX a déterminé que ces produits respectent les directives de ENERGY STAR[®] relativement à leur efficacité énergétique.

Détachage

⚠ AVERTISSEMENT Ne pas utiliser ni mélanger de javellisant liquide chloré avec d'autres produits chimiques d'usage domestique comme les net-toyants pour cuvettes, les produits dérouillants, acides ou contenant de l'ammoniaque. Ces mélanges peuvent dégager des vapeurs dangereuses pouvant causer des blessures graves ou la mort.



Méthode sécuritaire de détachage

⚠ AVERTISSEMENT Pour réduire les risques d'incendie, de blessures graves et de dommages matériels, respecter les mises en garde qui suivent :

- Lire et respecter toutes les directives qui figurent sur les produits de détachage.
- Conserver les produits de détachage dans leur contenant étiqueté d'origine hors de portée des enfants.
- Laver à fond tout ustensile utilisé pour manipuler ces produits.
- Ne pas mélanger des produits de détachage, tout particulièrement l'ammoniaque et les javellisants chlorés. Ce type de mélange pourrait dégager des vapeurs dangereuses.
- Ne jamais laver dans cet appareil des articles qui ont été au préalable nettoyés, lavés ou trempés dans de l'essence, du solvant pour nettoyage à sec ou d'autres substances inflammables ou explosives, ni des articles qui sont souillés de ces produits. Les produits décrits ci-dessus dégagent des vapeurs qui peuvent s'enflammer ou exploser.
- Ne jamais utiliser de solvants hautement inflammables, comme l'essence, à l'intérieur d'une maison. Les vapeurs que dégagent ces produits peuvent exploser au contact de flammes ou d'étincelles.



Pour enlever efficacement les taches :

- Enlever les taches le plus tôt possible.
- Déterminer l'origine de la tache, puis suivre les directives de traitement du tableau de détachage qui figure ci-dessous.
- Pour traiter les taches avant le lavage, utiliser un produit de détachage, un détergent liquide ou une pâte formée de détergent en poudre et d'eau.
- Utiliser de l'eau froide sur les taches d'origine inconnue, car l'eau chaude peut fixer les taches.
- Identifier sur l'étiquette d'entretien de chaque article les méthodes d'entretien proscrites.
- Vérifier la permanence de la couleur en appliquant le produit détachant sur un revers intérieur de l'article.
- Rincer et laver l'article après avoir enlevé la tache.

Détachage

TACHE	TRAITEMENT
Ruban adhésif, gomme à mâcher, adhésif à base de caoutchouc	Couvrir de glace. Gratter l'excédent. Placer la tache, face vers le bas, sur une serviette en papier. Saturer la tache de produit détachant ou de liquide pour nettoyage à sec ininflammable.
Mélange lacté pour biberon, produits laitiers, oeuf	Utiliser un produit contenant des enzymes pour prétraiter ou faire tremper la tache. Laisser tremper pendant au moins 30 minutes. Laver.
Boissons (café, thé, boissons gazeuses, jus, boissons alcooliques)	Prétraiter la tache. Laver à l'eau froide en utilisant un javellisant recommandé pour le tissu en question.
Sang	Rincer à l'eau froide. Frotter avec un pain de savon. Ou encore, prétraiter ou faire tremper dans un produit contenant des enzymes. Laver en utilisant un javellisant recommandé pour le tissu en question.
Cire à chandelle, crayon de cire	Gratter la cire de la surface du tissu. Placer la tache, face vers le bas, entre deux serviettes en papier. Repasser au fer tiède jusqu'à ce que la cire soit absorbée par le papier. Remplacer souvent les serviettes en papier. Traiter le reste de la tache à l'aide d'un produit détachant ou d'un liquide pour nettoyage à sec ininflammable. Laver à la main pour enlever le solvant. Laver en utilisant un javellisant recommandé pour le tissu en question.
Chocolat	Prétraiter ou faire tremper la tache à l'eau tiède avec un produit contenant des enzymes. Laver en utilisant un javellisant recommandé pour le tissu en question.
Cerne sur un col ou un poignet, produits de beauté	Prétraiter la tache avec un produit détachant ou frotter avec un pain de savon.
Teinture sur un tissu blanc	Utiliser un produit décolorant commercial. Laver en utilisant un javellisant recommandé pour le tissu en question.
Herbe	Prétraiter ou faire tremper la tache à l'eau tiède avec un produit contenant des enzymes. Laver en utilisant un javellisant recommandé pour le tissu en question.
Graisse, huile, goudron (beurre, matières grasses, vinaigrette, huile végétale, huile de voiture, huile à moteur)	Gratter le résidu de la surface du tissu. Prétraiter la tache. Laver à la température maximale recommandée pour le tissu en question. Pour les taches tenaces et le goudron, appliquer un liquide pour nettoyage à sec ininflammable sur l'arrière de la tache. Placer une serviette sous la tache et la remplacer fréquemment. Rincer à fond. Laver à la température maximale recommandée pour le tissu en question.
Encre	Certaines taches d'encre sont permanentes. L'encre peut s'incruster au lavage. Utiliser un produit détachant, de l'alcool dénaturé ou un liquide pour nettoyage à sec ininflammable avant le lavage.
Moisissure, brûlure légère	Laver avec un javellisant si cela est recommandé pour le tissu en question. Ou encore, faire tremper dans un javellisant oxygéné et de l'eau chaude avant le lavage. Les tissus couverts d'une quantité importante de moisissure peuvent être endommagés à tout jamais.
Boue	Essuyer la boue sèche. Prétraiter ou faire tremper la tache avec un produit contenant des enzymes.
Moutarde, tomate	Prétraiter avec un produit détachant. Laver en utilisant un javellisant recommandé pour le tissu en question.
Vernis à ongles	Peut être impossible à enlever. Placer la tache, face vers le bas, sur des serviettes en papier. Verser du dissolvant de vernis à ongles sur l'arrière de la tache. Recommencer en remplaçant souvent les serviettes en papier. Ne pas utiliser sur de l'acétate.
Peinture, vernis	PEINTURE À L'EAU : Rincer le tissu à l'eau froide avant que la tache ne sèche. Laver. Une fois la peinture sèche, elle ne peut plus être enlevée. PEINTURE À L'HUILE ET VERNIS : Utiliser le solvant recommandé sur l'emballage du produit. Rincer à fond avant de laver.
Sueur	Utiliser un produit détachant ou frotter avec un pain de savon. Rincer. Laver à l'aide d'un javellisant sans chlore à la température maximale recommandée pour le tissu en question.
Rouille, jaunissement, taches brunâtres	Dans le cas des taches, utiliser un produit dérouillant recommandé pour le tissu en question. Lorsqu'une brassée entière est décolorée, utiliser un détergent au phosphate et un javellisant sans chlore. Ne pas utiliser d'eau de javel car ce produit pourrait accentuer la décoloration.
Cirage à chaussures	CIRAGE LIQUIDE : Prétraiter la tache avec une pâte formée de détergent en poudre et d'eau. CIRAGE EN PÂTE : Gratter le résidu de la surface du tissu. Prétraiter la tache avec un produit détachant ou un liquide pour nettoyage à sec ininflammable. Rincer. Faire pénétrer le détergent dans la partie mouillée. Laver en utilisant un javellisant recommandé pour le tissu en question.
Urine, vomi, mucosités, excréments	Prétraiter ou faire tremper la tache dans un produit contenant des enzymes. Laver en utilisant un javellisant recommandé pour le tissu en question.

Problèmes de lessive courants

Bon nombre de problèmes de lessive sont liés au traitement inadéquat de la saleté et des taches, à un dépôt de charpie ou de mousse ou encore à des tissus endommagés. Pour des résultats satisfaisants, suivre les recommandations de *The Soap and Detergent Association* (association des fabricants de savons et de détergents).

PROBLÈME	CAUSES POSSIBLES	SOLUTIONS	MESURES PRÉVENTIVES
Taches bleues	<ul style="list-style-type: none"> • Détergent liquide non dilué ou assouplisseur de tissu versé directement sur le tissu. 	<ul style="list-style-type: none"> • Si le problème est causé par le détergent, mélanger 240 mL (1 tasse) de vinaigre blanc et 0,95 L (1 pinte) d'eau dans un contenant en plastique. Laisser tremper l'article pendant une heure. Rincer. • Si le problème est causé par l'assouplisseur de tissu, frotter la tache avec un pain de savon. Laver. 	<ul style="list-style-type: none"> • Éviter de mettre trop de détergent et d'assouplisseur de tissu dans les compartiments du distributeur.
Décoloration, assombrissement	<ul style="list-style-type: none"> • Pas assez de détergent. • Température de lavage trop basse. • Tri incorrect. 	<ul style="list-style-type: none"> • Laver de nouveau avec la quantité requise de détergent à la température maximale recommandée pour les tissus en question. Ajouter un javellisant recommandé pour ces tissus. 	<ul style="list-style-type: none"> • Trier les articles en fonction de leur degré de saleté et de leur couleur. • Utiliser la quantité requise de détergent, la température maximale recommandée et un javellisant recommandé pour les tissus en question.
Taches de graisse ou d'huile	<ul style="list-style-type: none"> • Pas assez de détergent. • Assouplisseur de tissu liquide non dilué et versé directement sur la brassée. 	<ul style="list-style-type: none"> • Traiter la tache avec un produit détachant ou un détergent liquide. • Augmenter la quantité de détergent et la température de l'eau. Laver de nouveau. • Frotter les taches d'assouplisseur de tissu avec un pain de savon. 	<ul style="list-style-type: none"> • Utiliser la quantité requise de détergent et la température maximale recommandée pour les tissus en question. • Ne pas verser d'assouplisseur de tissu liquide directement sur la brassée. Consulter la section Instructions de lavage pour savoir comment ajouter correctement l'assouplisseur.
Trous, accrocs ou déchirures	<ul style="list-style-type: none"> • Utilisation incorrecte d'eau de javel. • Fermetures éclair, agrafes ou boucles ouvertes. • Déchirures, accrocs ou fils cassés • Brassée trop volumineuse. • Détérioration du tissu. 	<ul style="list-style-type: none"> • Peut être irréversible si les déchirures, les accrocs et les coutures ne peuvent pas être réparés. 	<ul style="list-style-type: none"> • Ne jamais verser d'eau de javel directement sur le tissu. • Vérifier l'état des articles avant de les laver. Consulter la section Instructions de lavage pour savoir comment préparer et charger la brassée et pour connaître le mode d'emploi de l'eau de javel.
Charpie	<ul style="list-style-type: none"> • Tri incorrect. • Mouchoirs en papier laissés dans une poche. • Brassée trop volumineuse. • Pas assez de détergent. • Détergent non dissous qui a laissé un résidu ressemblant à de la charpie. • Électricité statique qui attire la charpie. • Cycle de lavage trop long. 	<ul style="list-style-type: none"> • Réduire la taille de la brassée. Laver de nouveau à la température, au niveau d'eau et avec la quantité de détergent recommandés. • Ajouter un conditionneur d'eau non précipitant à l'eau de lavage pour éliminer toute trace de détergent. • Ajouter de l'assouplisseur de tissu liquide au rinçage final. • Sécher la brassée à la machine. • Retirer la charpie à l'aide d'une brosse ou d'un rouleau à charpie. 	<ul style="list-style-type: none"> • Consulter la section Instructions de lavage pour savoir comment trier et préparer la brassée. • Ne pas surcharger la laveuse. • Utiliser la température, la quantité de détergent, le niveau d'eau et la durée de cycle recommandés.
Moutonnement (Des fibres se détachent, forment une boule et collent au tissu.)	<ul style="list-style-type: none"> • Le moutonnement est normal pour les tissus en fibre synthétique et sans repassage. Ce phénomène est causé par l'abrasion qui accompagne l'usure normale. 	<ul style="list-style-type: none"> • Utiliser une brosse à charpie ou un rasoir pour retirer les boules de tissu. 	<ul style="list-style-type: none"> • Utiliser un assouplisseur de tissu dans la laveuse pour lubrifier les fibres. • Au repassage, utiliser de l'amidon en aérosol ou un produit rehaussant l'apparence du tissu sur les collets et les poignets. • Tourner les articles à l'envers pour réduire l'abrasion.
Résidu ou poudre sur les articles foncés; tissus rigides, rugueux	<ul style="list-style-type: none"> • Détergent non dissous. • Certains détergents en poudre peuvent se combiner aux minéraux présents dans l'eau calcaire et former un résidu. • Brassée trop volumineuse. 	<ul style="list-style-type: none"> • Laver de nouveau. 	<ul style="list-style-type: none"> • Augmenter la température de l'eau jusqu'au maximum recommandé pour les tissus en question. • Ne pas surcharger la laveuse. • Utiliser un détergent liquide ou ajouter un conditionneur d'eau non précipitant aux détergents en poudre.
Froissement	<ul style="list-style-type: none"> • Brassée trop volumineuse. • Cycle de lavage incorrect pour la brassée. 	<ul style="list-style-type: none"> • Réduire la taille de la brassée. • Rincer à l'eau froide avec un assouplisseur de tissu liquide au cycle perma-press ou au cycle délicat. 	<ul style="list-style-type: none"> • Ne pas surcharger la laveuse. • Retirer les articles de la laveuse dès que le cycle est terminé. • Utiliser un assouplisseur de tissu liquide.
Cernes de sueur jaunâtres sur les tissus synthétiques	<ul style="list-style-type: none"> • Agitation trop courte. • Température de l'eau de lavage trop basse. • Pas assez de détergent. 	<ul style="list-style-type: none"> • Faire tremper dans un renforçateur de détergent ou un produit contenant des enzymes. • Laver à l'eau chaude en utilisant le cycle perma-press au complet. Utiliser davantage de détergent. Ajouter un javellisant recommandé pour le tissu en question. • Ou encore, traiter à l'aide d'un produit décolorant. 	<ul style="list-style-type: none"> • Choisir le cycle de lavage qui convient. • Utiliser la quantité requise de détergent. • Laver souvent les tissus synthétiques dans l'eau chaude ou l'eau tiède.
Taches de rouille jaunes ou brunes	<ul style="list-style-type: none"> • Fer ou manganèse présent dans l'eau, les tuyaux ou le chauffe-eau. 	<ul style="list-style-type: none"> • Pour redonner leur éclat aux tissus blancs tachés, utiliser un produit dérouillant recommandé pour les tissus en question. • Ne pas utiliser d'eau de Javel pour retirer les taches de rouille. Cela pourrait intensifier la décoloration. 	<ul style="list-style-type: none"> • Utiliser un adoucesseur d'eau non précipitant. • Avant le lavage, laisser couler l'eau chaude pendant quelques minutes pour nettoyer la canalisation. • Purger le chauffe-eau de temps à autre. • Si le problème persiste, fixer un filtre à fer à la canalisation d'eau.

Entretien et nettoyage

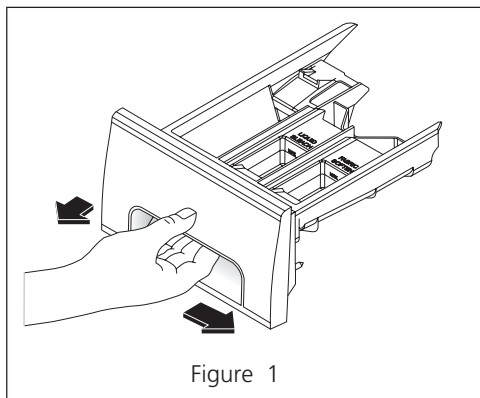


Figure 1

(La languette d'immobilisation n'est visible qu'une fois le tiroir ouvert.)

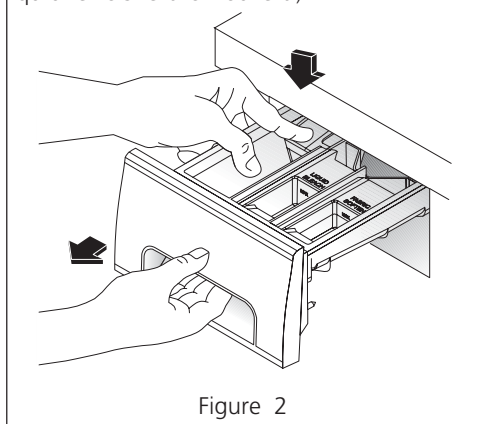


Figure 2

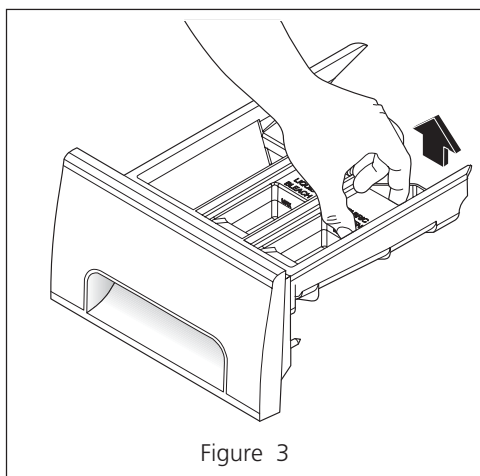


Figure 3

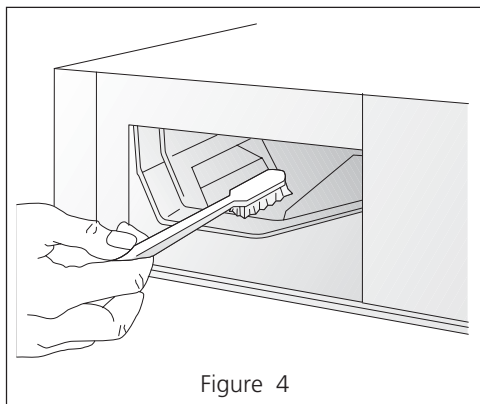


Figure 4

POUR RAFRAÎCHIR Ou NETTOYER PAR L'INTÉRIEUR SA MACHINE À LAVER :

IMPORTANT : Ne chargez pas du vêtement ou d'autres articles dans la Machine à laver quand il nettoiera l'intérieur.

- Ajoutez 1/2 tasse de badigeonneur liquide au compartiment de détergent de l'expéditeur et remplissez le compartiment de badigeonneur de l'expéditeur au niveau maximal et mettez à fonctionner la Machine à laver SANS une charge de vêtement en utilisant le cycle Normal.

Intérieur

- Retirer les articles de la laveuse dès que le cycle est terminé. Les articles laissés dans la laveuse après la fin du cycle peuvent se froisser, absorber la couleur des articles qui les entourent ou développer des odeurs désagréables.
- Avant de laver l'intérieur de la laveuse, débrancher le cordon d'alimentation électrique pour prévenir les risques d'électrocution.
- Sécher l'ouverture de la porte de la laveuse, le joint souple et le verre de la porte. Ces pièces devraient toujours être propres pour assurer l'étanchéité.
- Lorsque des articles très sales ont été lavés, un résidu de saleté peut être présent dans le tambour. Retirer ce résidu en essuyant le tambour à l'aide d'un détergent non abrasif d'usage domestique. Rincer abondamment.
- Les ailettes en plastique du tambour peuvent être tachées par la teinture des tissus. Nettoyer ces ailettes à l'aide d'un détergent non abrasif d'usage domestique. Cela évite le transfert de la teinture à des brassées subséquentes.

Nettoyage du tiroir-distributeur

Le détergent et l'assouplisseur de tissu peuvent s'accumuler dans le tiroir-distributeur. Les résidus doivent être retirés une ou deux fois par mois.

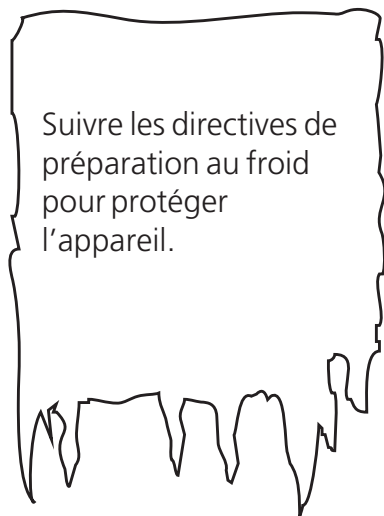
- Ouvrir le tiroir en poussant le loquet de sûreté vers la droite, puis en tirant le tiroir jusqu'à ce qu'il s'immobilise. (Figure 1)
- Enfoncer fermement la languette d'immobilisation située dans le coin arrière gauche du tiroir. Sortir le tiroir. (Figure 2)
- Retirer les contenants amovibles des compartiments pour le javellisant et l'assouplisseur de tissu. (Figure 3)
- Rincez régulièrement à l'eau chaude l'intérieur de la machine à laver et les distributeurs intégrés afin d'enlever toute trace de résidu de produits liquides ou en poudre. Une grande quantité de résidus d'assouplisseur de tissu peut indiquer que la dilution ne se fait pas correctement ou qu'un nettoyage plus fréquent est nécessaire.
- Pour nettoyer le logement du tiroir, frotter l'ouverture à l'aide d'une petite brosse. Retirer tout résidu dans les parties supérieure et inférieure du logement. (Figure 4)
- Replacer les contenants amovibles dans les compartiments pour le javellisant et l'assouplisseur de tissu. Replacer le tiroir distributeur et enclencher le cycle pré-lavage sans mettre de brassée dans le tambour.

Extérieur

- Une fois le lavage terminé, essuyer le dessus et les côtés de la laveuse à l'aide d'un chiffon humide. Fermer les robinets d'eau pour éviter que la pression ne s'accumule dans les tuyaux.
- Au besoin, nettoyer le boîtier de la laveuse à l'eau et au savon doux. Ne jamais utiliser de détergent rude, grumeleux ou abrasif. Les taches sur la porte ou le tableau de commande doivent être lavées à l'eau de javel diluée [120 mL (1/2 tasse) dans 0,95 L (1 pinte) d'eau]. Rincer plusieurs fois à l'eau claire.
- Retirer les résidus de colle provenant du ruban adhésif ou des étiquettes à l'aide d'un mélange d'eau tiède et de détergent doux. Ou encore, décoller ces résidus en appuyant le côté collant du ruban ou de l'étiquette sur la surface.
- Pour nettoyer les pièces de chrome utilisez Windex avec ammoniaque ou quelq'un des articles mentionnés pour nettoyer le cabinet.
- Avant de déplacer la laveuse, placer une bande de carton ou un panneau fibreux mince sous les pieds de nivellement avant afin d'éviter d'endommager le plancher.

Entretien et nettoyage

(suite)



Directives de préparation au froid

Si la laveuse doit être entreposée dans un endroit exposé au gel ou qu'elle doit être déplacée dans une température inférieure au point de congélation, suivre les directives de préparation au froid pour éviter de l'endommager.

1. Fermer les robinets.
2. Débrancher les boyaux de la canalisation et les vider.
3. Brancher le cordon électrique dans une prise adéquatement mise à la terre.
4. Verser 3,8 L (1 gallon) d'antigel non toxique pour voiture de tourisme dans le tambour vide de la laveuse. Fermer la porte.
5. Régler le sélecteur de cycle sur l'essorage. Tirer sur ce sélecteur et laisser la laveuse essorer pendant une minute pour que toute l'eau s'écoule. L'antigel pour voiture ne sera pas entièrement évacué.
6. Enfoncer le sélecteur de cycle, débrancher le cordon d'alimentation électrique, sécher l'intérieur du tambour, puis fermer la porte.
7. Retirer le tiroir-distributeur. Enlever l'eau des compartiments et les sécher complètement. Replacer le tiroir.
8. Entreposer la laveuse à la verticale.
9. Pour évacuer l'antigel de la laveuse après l'entreposage, faire fonctionner la laveuse sur un cycle complet en utilisant du détergent, mais sans mettre de vêtements. Ne pas mettre de brassée dans la laveuse.

Guide de dépannage

Avant d'appeler un agent de service agréé, consulter le guide qui suit. Cela peut épargner temps et argent. Ce guide porte sur des troubles communs qui ne sont pas causés par un défaut de fabrication ni par un matériau défectueux.

TROUBLE

BRUIT

CAUSE POSSIBLE / SOLUTION

Cliquetis	<ul style="list-style-type: none">• Bruit normal de la minuterie.
Bruit perçant rappelant un moteur d'avion	<ul style="list-style-type: none">• Il est normal que le moteur émette un peu de bruit pendant le cycle d'essorage.
Bruits métalliques et cliquetis	<ul style="list-style-type: none">• Des objets comme des pièces de monnaie ou des épingles de sûreté peuvent se trouver dans le tambour ou dans la pompe. Arrêter la laveuse et vérifier le tambour. Si le bruit persiste lorsque la laveuse est remise en marche, les objets peuvent s'être logés dans la pompe. S'adresser à un agent de service autorisé.• Des boucles de ceinture et des agrafes métalliques frappent le tambour. Pour éviter les bruits inutiles et les dommages au tambour, fermer les agrafes et tourner les articles à l'envers.
Grincements ou odeurs de caoutchouc chaud	<ul style="list-style-type: none">• La laveuse est surchargée. Ne pas la surcharger. Arrêter la laveuse et réduire la brassée.
Bruit lourd et sourd	<ul style="list-style-type: none">• Les brassées lourdes peuvent produire un bruit lourd et sourd. Ce bruit est habituellement normal. S'il persiste, la laveuse est probablement déséquilibrée. Arrêter la laveuse et répartir la brassée.
Vibrations	<ul style="list-style-type: none">• La laveuse ne repose pas fermement sur le sol. Déplacer la laveuse de façon à ce qu'elle repose fermement sur le sol. Ajuster les pieds de nivellement. Consulter la NOTICE D'INSTALLATION pour plus de détails.• Les boulons et le morceau de mousse de l'emballage n'ont pas été retirés pendant l'installation. Consulter la NOTICE D'INSTALLATION pour savoir comment retirer les boulons et le morceau de mousse.• La brassée n'est pas distribuée uniformément dans le tambour. Arrêter la laveuse et répartir la brassée.

TROUBLE FONCTIONNEMENT

CAUSE POSSIBLE / SOLUTION

La laveuse ne démarre pas.

- Le cordon d'alimentation électrique n'est pas branché ou le branchement est lâche. S'assurer que la fiche s'emboîte fermement dans la prise murale.
- Le fusible de la maison est brûlé, le disjoncteur est déclenché ou il y a une panne d'électricité. Réarmer le disjoncteur ou remplacer le fusible. Ne pas accroître la capacité du fusible. Si le trouble est lié à la surcharge du circuit, faire corriger le problème par un électricien qualifié. Si le trouble est causé par une panne d'électricité, contacter la compagnie d'électricité locale.
- Les robinets ne sont pas ouverts. Ouvrir les robinets.
- Le sélecteur de cycle n'est pas dans la bonne position. Tourner délicatement ce sélecteur dans le sens des aiguilles d'une montre. Tirer sur le sélecteur.
- Le moteur surchauffe. Le moteur s'arrête de lui-même en cas de surchauffe. Il redémarrera de lui-même après une période de refroidissement pouvant atteindre 30 minutes (si la laveuse n'a pas été arrêtée manuellement).
- La porte de la laveuse n'est pas complètement fermée. Fermer la porte complètement.

La laveuse n'essore pas.

- La brassée est trop petite. Ajouter un ou deux articles similaires pour rééquilibrer la brassée.

Résidus dans le tambour

- Articles très sales. Essuyer le tambour avec un nettoyeur non abrasif d'usage domestique, puis rincer. Faire tomber ou broser l'excédent de saleté et le sable des articles avant de les laver.

Les additifs de blanchisserie n'ont pas distribué.

- Tiroir de distributeur ouvert. Le tiroir devrait être complètement fermé pour que l'additif de blanchisserie distribue.

EAU

De l'eau s'accumule dans les compartiments prévus pour le javellisant et l'assouplisseur de tissu.

- Cette accumulation est causée par l'action siphonnante de la laveuse et elle est tout à fait normale. Pour retirer l'eau, démonter le tiroir-distributeur (consulter les figures 1 et 2 en page 19) et verser l'eau dans le tambour vide ou dans un évier.

La brassée est trop mouillée après l'essorage.

- La laveuse est surchargée. Ne pas surcharger la laveuse. Consulter la section **Instructions de lavage**.
- La brassée est trop petite. Ajouter un ou deux articles similaires pour rééquilibrer la brassée.
- La brassée est déséquilibrée. Répartir la brassée pour optimiser l'essorage.
- Le boyau d'évacuation est pincé. Redresser le boyau d'évacuation.

L'eau n'entre pas dans la laveuse ou elle y entre lentement.

- Le débit d'eau n'est pas adéquat dans la région. Vérifier un autre robinet de la maison. Attendre que le débit d'eau et la pression augmentent.
- Les robinets ne sont pas complètement ouverts. Ouvrir à fond les robinets d'eau chaude et d'eau froide.
- Un autre robinet est utilisé simultanément dans la maison. La pression de l'eau doit être d'au moins 260 kPa (30 livres par pouce carré). Éviter d'utiliser l'eau dans une autre partie de la maison pendant que la laveuse se remplit.
- Les tuyaux d'arrivée d'eau sont pincés. Redresser les tuyaux.

L'eau chaude et l'eau tiède ne sont pas assez chaudes.

- Le réglage du chauffe-eau est trop faible ou le chauffe-eau est situé trop loin de la laveuse. Mesurer la température du chauffe-eau à un robinet situé près de la laveuse à l'aide d'un thermomètre à bonbons ou à viande. L'eau devrait être à au moins 49°C (120°F). Régler le chauffe-eau en conséquence.
- L'eau chaude est utilisée dans une autre partie de la maison. Éviter d'utiliser l'eau chaude dans le reste de la maison avant et pendant l'utilisation de la laveuse. Il pourrait ne pas y avoir suffisamment d'eau chaude pour laver correctement les vêtements. Si le problème persiste, il se peut que le réseau d'eau chaude ne soit pas en mesure de supporter plus d'une utilisation à la fois.

L'eau ne s'évacue pas ou se vide lentement.

- Le boyau d'évacuation est pincé ou bouché. Nettoyer et redresser le boyau d'évacuation.
- Les conduites des eaux usées de la maison sont bouchées. Déboucher ces conduites. Appeler un plombier au besoin.

Fuites d'eau

- Le boyau d'arrivée d'eau est mal connecté au robinet ou à la laveuse. Vérifier le branchement du boyau et le resserrer. Poser les rondelles d'étanchéité en caoutchouc qui accompagnent la laveuse.
- Excès de mousse. Utiliser moins de détergent.
- Le tiroir-distributeur n'est pas complètement fermé. Fermer le tiroir complètement.

Températures de lavage et de rinçage incorrectes

- Le boyau d'eau chaude et le boyau d'eau froide sont connectés au mauvais robinet. Connecter le boyau d'eau chaude au robinet d'eau chaude et le boyau d'eau froide au robinet d'eau froide.

L'eau entre dans la laveuse mais la cuve ne se remplit pas.

- Le tuyau de chute auquel est connecté le boyau d'évacuation n'est pas à la bonne hauteur. Le tuyau de chute doit être à une hauteur minimum de 60 cm (23,6 po) pour éviter que l'eau ne soit siphonnée. Consulter la NOTICE D'INSTALLATION.

Informations sur la garantie des gros électroménagers

Votre appareil est couvert par une garantie limitée d'un an. Pendant un an à partir de la date d'achat originale, Electrolux assumera les coûts des réparations ou du remplacement des pièces de cet appareil qui présente un défaut de fabrication ou de matériau, si cet appareil est installé, utilisé et entretenu selon les instructions fournies avec celui-ci.

Exclusions Cette garantie ne couvre pas ce qui suit :

1. Les produits dont le numéro de série original a été enlevé, modifié ou qui n'est pas facilement déterminable.
2. Les produits qui ont été transférés de leur propriétaire initial à une autre partie ou qui ne sont plus aux États-Unis ou au Canada.
3. La rouille à l'intérieur ou à l'extérieur de l'appareil.
4. Les produits vendus « tels quels » ne sont pas couverts par cette garantie.
5. Les aliments perdus en raison de pannes du réfrigérateur ou du congélateur.
6. Les produits utilisés dans les établissements commerciaux.
7. Les appels de service qui ne concernent pas un malfonctionnement, un défaut de fabrication ou un vice de matériau ou pour les appareils qui ne font pas l'objet d'un usage domestique ou qui ne sont pas utilisés conformément aux instructions fournies.
8. Les appels de service pour vérifier l'installation de votre appareil ou pour obtenir des instructions sur la façon d'utiliser votre appareil.
9. Les frais qui rendent l'appareil accessible pour une réparation, par exemple enlever des garnitures, les armoires, les étagères, etc. qui ne faisaient pas partie de l'appareil lorsqu'il a quitté l'usine.
10. Les appels de service au sujet de la réparation ou du remplacement des ampoules, des filtres à air, des filtres à eau, d'autre matériel ou des boutons, poignées ou autres pièces esthétiques.
11. Les frais supplémentaires, y compris, sans s'y limiter, les appels de service après les heures normales de bureau, le week-end ou les jours fériés, les droits et péages, les frais de convoyage ou les frais de déplacement pour les appels de service dans des endroits isolés, notamment l'État de l'Alaska.
12. Les dommages causés au fini de l'appareil ou à la maison pendant l'installation, y compris, sans s'y limiter, aux planchers, aux armoires, aux murs, etc.
13. Les dommages causés par : des réparations faites par des techniciens non autorisés; l'utilisation de pièces autres que les pièces Electrolux d'origine qui n'ont pas été obtenues par l'entremise d'un réparateur autorisé; ou les causes étrangères comme l'abus, l'alimentation électrique inadéquate ou les cas de force majeure.

AVIS DE NON-RESPONSABILITÉ SUR LES GARANTIES IMPLICITES; LIMITATIONS DES RECOURS

L'UNIQUE RECOURS DU CLIENT EN VERTU DE CETTE GARANTIE LIMITÉE EST LA RÉPARATION OU LE REMPLACEMENT DU PRODUIT COMME DÉCRIT PRÉCÉDEMMENT. LES DEMANDES BASÉES SUR DES GARANTIES IMPLICITES, Y COMPRIS LES GARANTIES IMPLICITES DE QUALITÉ MARCHANDE ET D'ADAPTATION À UN USAGE PARTICULIER SONT LIMITÉES À AU MOINS UN AN OU À LA PÉRIODE LA PLUS COURTE PERMISE PAR LA LOI. ELECTROLUX NE SERA PAS TENUE RESPONSABLE DES DOMMAGES DIRECTS OU INDIRECTS NI DES DOMMAGES MATÉRIELS ET DES DÉPENSES IMPRÉVUES RÉSULTANT D'UNE VIOLATION DE CETTE GARANTIE ÉCRITE OU DE TOUTE AUTRE GARANTIE IMPLICITE. CERTAINS ÉTATS ET CERTAINES PROVINCES NE PERMETTENT PAS DE RESTRICTION OU D'EXEMPTION SUR LES DOMMAGES DIRECTS OU INDIRECTS OU DE RESTRICTION SUR LES GARANTIES IMPLICITES. DANS CE CAS, CES RESTRICTIONS OU EXEMPTIONS POURRAIENT NE PAS ÊTRE APPLICABLES. CETTE GARANTIE ÉCRITE VOUS PROCURE DES DROITS LÉGAUX SPÉCIFIQUES. IL SE PEUT QUE VOUS AYEZ D'AUTRES DROITS QUI VARIENT SELON L'ÉTAT OU LA PROVINCE.

Si vous avez besoin d'une réparation Conservez votre reçu, votre bon de livraison ou une autre preuve valide de paiement pour établir la période de la garantie dans le cas où vous devriez faire appel aux services d'un technicien autorisé. Si une réparation doit être effectuée, veuillez obtenir et conserver tous les reçus.

Le service auquel vous avez recours en vertu de cette garantie doit être obtenu en communiquant avec Electrolux à l'adresse ou aux numéros de téléphone indiqués ci-dessous.

Cette garantie n'est valide qu'aux États-Unis et au Canada. Aux États-Unis, votre appareil est garanti par Electrolux Major Appliances North America, une division de Electrolux Home Products, Inc. Au Canada, votre appareil est garanti par Electrolux Canada Corp. Personne n'est autorisé à modifier ou à ajouter aux obligations contenues dans cette garantie. Les obligations de cette garantie concernant la réparation et les pièces doivent être remplies par Electrolux ou par une compagnie de réparation autorisée. Les caractéristiques et spécifications décrites ou illustrées peuvent être modifiées sans préavis.

ÉTATS-UNIS

1.800.944.9044

Electrolux Major Appliances

North America

Case postale 212378

Augusta, GA 30907, ÉTATS-UNIS



Canada

1.800.668.4606

Electrolux Canada Corp.

5855 Terry Fox Way

Mississauga, Ontario, Canada

L5V 3E4

3 Ways To Contact Us!
¡3 formas de contactar nos!
3 façons de nous contacter!

USA, EE.UU., É.-U.,
1-800-944-9044

CANADA, CANADÁ
1-800-265-8352
(English)(Français)

Or, O, Ou

USA, EE.UU., É.-U.

Electrolux Major Appliances North America,
a division of Electrolux Home Products, Inc.
P.O. Box 212378
Augusta, GA 30917

CANADA, CANADÁ

Electrolux Major Appliances North America,
a division of Electrolux Home Products, Inc.
5855 Terry Fox Way
Mississauga, Ontario, Canada
L5R 4C2

Or, O, Ou

Visit Frigidaire's Web Site at:
Visite la página de Frigidaire en Internet:
Visitez le site Internet de Frigidaire au:

<http://www.frigidaire.com>

© 2005 Electrolux Major Appliances North America,
a division of Electrolux Home Products, Inc.

 **The Electrolux Group.** *The world's No. 1 choice.*

The Electrolux Group is the world's largest producer of powered appliances for kitchen, cleaning and outdoor use combined. More than 55 million Electrolux Group products (such as refrigerators, cookers, washing machines, vacuum cleaners, chain saws and lawn mowers) are sold each year to a value of approximately USD 14 billion in more than 150 countries around the world.

PRINTED IN USA